

Oxford-Duden Pictorial English Dictionary with English-Arabic Index

Oxford-Duden Pictorial Dictionaries provide clear and simple illustrated coverage of over 28,000 complex objects from every aspect of life today.

This dictionary is an invaluable guide to hundreds of different topics, including business, technology, finance, the environment, sport and entertainment, and the world that surrounds us. It is designed for both English and Arabic speakers, and contains a full English-Arabic index.

أكثر من 28,000 مادة من 11 مجالا مختلفا، إلى جانب
مسرد إنجليزي - عربي كامل

بداية من الموضوعات العامة إلى تلك المتخصصة للغاية، توفر
سلسلة "قواميس أوكسفورد - دودن المصورة" تغطية مبسطة
وواضحة لآلاف المواد المعقدة التي نتعرض لها في كافة جوانب
حياتنا اليومية.

هذا القاموس يعتبر مرشدا قيّما إلى مئات من الموضوعات المختلفة،
من ضمنها: الأعمال التجارية والتكنولوجيا والمالية والبيئة
والرياضة والتسلية والعالم المحيط بنا. وهو يناسب كلا من متحدثي
الإنجليزية والعربية على حد سواء.

The World's Most Trusted Dictionaries

Oxford University Press is the world's leading dictionary-maker, publishing highly acclaimed bilingual dictionaries at every level, in over 40 different languages.

OXFORD

UNIVERSITY PRESS

www.oup.com

AskOxford.COM

Oxford Dictionaries Passionate about language



Oxford
Duden
Pictorial

English Dictionary with English-Arabic Index
قاموس أو كسفورد - دودن الإنجليزي المصور مع مسرد إنجليزي - عربي



OXFORD

Oxford-Duden PICTORIAL ENGLISH Dictionary with English-Arabic Index



THE WORLD'S MOST TRUSTED DICTIONARIES

Oxford-Duden
Pictorial English Dictionary
with English-Arabic Index

English-Arabic Index prepared by
Moustafa Gabr

OXFORD
UNIVERSITY PRESS

Great Clarendon Street, Oxford OX2 6DP

Oxford University Press is a department of the University of Oxford.
It furthers the University's objective of excellence in research, scholarship,
and education by publishing worldwide in

Oxford New York

Auckland Bangkok Buenos Aires Cape Town Chennai
Dar es Salaam Delhi Hong Kong Istanbul Karachi Kolkata
Kuala Lumpur Madrid Melbourne Mexico City Mumbai
Nairobi São Paulo Shanghai Taipei Tokyo Toronto

Oxford is a registered trademark of Oxford University Press
in the UK and in certain other countries

Published in the United States
by Oxford University Press Inc., New York

© Illustrations: Bibliographisches Institut, Mannheim 1979, 1995, 2003
© English text: Oxford University Press 1979, 1995, 2003
© English-Arabic Index: Moustafa Gabr 2003

All rights reserved. No part of this publication may be reproduced,
stored in a retrieval system, or transmitted, in any form or by any means,
without the prior permission in writing of Oxford University Press,
or as expressly permitted by law, or under terms agreed with the appropriate
reprographic rights organization. Enquiries concerning reproduction
outside the scope of the above should be sent to the Rights Department,
Oxford University Press, at the address above

The word 'DUDEN' is a registered trademark of the
Bibliographisches Institut for books of any kind

British Library Cataloguing in Publication Data
Data available

Library of Congress Cataloging in Publication Data
Data available

ISBN 0 19 860201 4 (hardback)
ISBN 0 19 860703 2 (paperback)

Pictorial English Dictionary edited by Michael Clark and Bernadette Mohan.
Illustrations by Jochen Schmidt, Mannheim.
Co-ordinating editors of the second edition: Michael Clark, Oxford and
Werner Scholze-Stubenrecht, Mannheim.
English-Arabic Index prepared by Moustafa Gabr

10 9 8 7 6 5 4 3 2

Printed in Hong Kong

Full Contents	6-9
Oxford-Duden Pictorial English Dictionary	10-671
English-Arabic Index	673-965

Guide to using the dictionary

The Pictorial English Dictionary, English-Arabic index, and Contents are ordered thematically under the following topic headings:

- The Atom, the Universe, and the Earth
- Man and his Social environment
- Nature as Environment, Agriculture, and Forestry
- Trades, Crafts, and Industry
- Printing Industry
- Transport, Communications, and Information Technology
- Office, Bank, and Stock Exchange
- Community
- Recreation, Games, and Sport
- Entertainment, Culture, and Art
- Animals and Plants

To find the Arabic translation for a vocabulary item, first browse the subject areas listed in the Contents (pp. 6-9); select your relevant subject area, and locate its corresponding number in the Dictionary (numbers are at the top corner of each page). When you have found your vocabulary item, go to the relevant entry in the Index.

Abbreviations

Am.	<i>American usage</i>
c.	<i>castrated (animal)</i>
coll.	<i>colloquial</i>
f.	<i>female (animal)</i>
form.	<i>formerly</i>
joc.	<i>jocular</i>
m.	<i>male (animal)</i>
poet.	<i>poetic</i>
sg.	<i>singular</i>
sim.	<i>similar</i>
y.	<i>young (animal)</i>

OXFORD-DUDEN
PICTORIAL ENGLISH
DICTIONARY

قاموس أوكسفورد - دودن
الإنجليزي المصور

Contents

The arabic numerals are the numbers of the pictures

Atom, Universe, Earth

Atom I 1
Atom II 2
Astronomy I 3
Astronomy II 4
Astronomy III 5
Moon Landing 6
Atmosphere 7
Meteorology I 8
Meteorology II and Climatology 9
Meteorological Instruments 10
Physical Geography I 11
Physical Geography II 12
Physical Geography III 13
Map I 14
Map II 15

Man and his Social Environment

Man I 16
Man II 17
Man III 18
Man IV 19
Man V 20
First Aid 21
Doctor I 22
Doctor II 23
Dentist 24
Hospital I 25
Hospital II 26
Hospital III 27
Infant Care and Layette 28
Children's Clothes 29
Ladies' Wear I (Winter Wear) 30
Ladies' Wear II (Summer Wear) 31
Underwear, Nightwear 32
Men's Wear 33
Hairstyles and Beards 34
Headgear 35
Jewellery (*Am. Jewelry*) 36
Types of Dwelling 37
Roof and Boiler Room 38
Kitchen 39
Kitchen Utensils and Appliances 40
Hall 41
Living Room 42
Bedroom 43
Dining Room 44
Tableware and Cutlery 45
Flat (Apartment) 46

Children's Room (Nursery) 47
Kindergarten (Day Nursery) 48
Bathroom and Toilet 49
Household Appliances and Utensils 50

Nature as Environment, Agriculture, and Forestry

Flower Garden 51
Fruit and Vegetable Garden 52
Indoor Plants (Houseplants) 53
Propagation of Plants 54
Market Garden (*Am. Truck Garden, Truck Farm*) 55
Garden Tools 56
Vegetables (Vegetable Plants) 57
Soft Fruit and Pomes 58
Drupes and Nuts 59
Garden Flowers 60
Weeds 61
Farm Buildings (*Am. Farmstead*) 62
Agriculture (Farming) 63
Agricultural Machinery I 64
Agricultural Machinery II 65
Agricultural Implements 66
Overhead Irrigation 67
Arable Crops 68
Fodder Plants (Forage Plants) 69
Breeds of Dog 70
Horse I 71
Horse II 72
Domestic Animals 73
Poultry Farming (Poultry Keeping),
Egg Production 74
Rearing (*Am. Raising*) of Livestock 75
Dairy 76
Bees and Beekeeping (Apiculture) 77
Wine growing (Vinculture, Viticulture) 78
Wine Cellar 79
Garden and Field Pests 80
House Insects, Food Pests, and Parasites 81
Forest Pests 82
Pest Control 83
Forestry I 84
Forestry II 85
Hunting 86
Hunting Weapons, Hunting Equipment 87
Game 88
Fish Farming (Fish Culture, Pisciculture)
and Angling 89
Sea Fishing 90

Trades, Crafts, and Industry

Mills 91
Malting and Brewing I 92
Brewing II 93
Slaughterhouse (Abattoir) 94
Meat Joints 95
Butcher's Shop 96
Bakery 97
Grocer's Shop (*Am. Grocery Store*) 98
Supermarket 99
Shoemaker (Bootmaker) 100
Shoes (Footwear) 101
Needlework 102
Dressmaker 103
Tailor 104
Ladies' Hairdresser 105
Men's Hairdresser (Barber) 106
Tobacco and Smoking Requisites 107
Goldsmith, Silversmith 108
Watchmaker, Clockmaker 109
Clocks and Watches 110
Optician 111
Optical Instruments I 112
Optical Instruments II 113
Photography I 114
Photography II 115
Photography III 116
Cine Film 117
Building Site (Construction Site) I 118
Building Site (Construction Site) II 119
Carpenter 120
Roof, Timber Joints 121
Roof and Roofer 122
Floor, Ceiling, Staircase Construction 123
Glazier 124
Plumber 125
Plumber, Gas Fitter, Heating Engineer 126
Electrician 127
Paperhanger 128
Painter 129
Cooper and Tank Construction Engineer 130
Furrier 131
Joiner I 132
Joiner II 133
Do-it-yourself 134
Turner 135
Basket Maker 136
Blacksmith (Smith) I 137
Blacksmith (Smith) II (Farm Vehicle
Engineering) 138
Hammer Forging (Smith Forging)
and Drop Forging 139
Metalworker 140
Gas Welder 141
Arc Welder 142
Sections, Bolts, and Machine Parts 143
Coal Mine 144

Mineral Oil (Oil, Petroleum) 145
Offshore Drilling 146
Iron and Steel Works 147
Iron Foundry and Rolling Mill 148
Machine Tools I 149
Machine Tools II 150
Drawing Office 151
Power Plant (Power Station) I 152
Power Plant (Power Station) II 153
Nuclear Energy 154
Modern Sources of Energy 155
Coking Plant 156
Sawmill 157
Quarry 158
Brickworks (Brickyard, Brickfield) 159
Cement Works (Cement Factory) 160
Porcelain and China Manufacture 161
Glass Production 162
Cotton Spinning I 163
Cotton Spinning II 164
Weaving I 165
Weaving II 166
Knitting 167
Finishing of Textile Fabrics 168
Synthetic (Man-made) Fibres
(*Am. Fibers*) I 169
Synthetic (Man-made) Fibres
(*Am. Fibers*) II 170
Weaves and Knits 171
Papermaking I 172
Papermaking II 173

Printing Industry

Typesetting Room (Composing Room) I 174
Typesetting Room (Composing Room) II 175
Typesetting Room III (Phototypesetting,
Photocomposition, Photosetting) 176
Photomechanical Reproduction 177
Electrotyping and Block Making 178
Offset Platemaking 179
Offset Printing 180
Letterpress Printing 181
Photogravure (Gravure Printing, Intaglio
Printing) 182
Bookbinding I 183
Bookbinding II 184
Bookbinding III 185

Transport, Communications, and Information Technology

Horse-drawn Carriages 186
Bicycle 187
Motorcycles, Bicycles, Scooters, Mopeds 188
Motorcycle 189
Internal Combustion Engines 190
Motor Car (*Am. Automobile*) I 191
Motor Car (*Am. Automobile*) II 192

Motor Car (*Am. Automobile*) III 193
Lorries (*Am. Trucks*), Vans, Buses 194
Garage (*Am. Shop*) 195
Service Station 196
Tram (*Am. Streetcar, Trolley*),
Interurban Electric Train 197
Cross-section of a Street 198
Refuse Disposal (*Am. Garbage Disposition*),
Street Cleaning 199
Road Construction I (Road Building,
Road Making) 200
Road Construction II (Road Building,
Road Making) 201
Railway Line (*Am. Railroad Track*) I 202
Railway Line (*Am. Railroad Track*) II
(Signalling Equipment) 203
Station Concourse 204
Station Platform 205
Goods Station (Freight Depot) 206
Railway Vehicles (Rolling Stock) I 207
Railway Vehicles (Rolling Stock) II 208
Railway Vehicles (Rolling Stock) III 209
Railway Vehicles (Rolling Stock) IV 210
Railway Vehicles (Rolling Stock) V 211
Railway Vehicles (Rolling Stock) VI 212
Railway Vehicles (Rolling Stock) VII 213
Mountain Railways (*Am. Railroads*)
and Cableways 214
Bridges 215
Rivers and River Engineering 216
Waterway and Hydraulic Engineering 217
Types of Historical Ship 218
Sailing Ship I 219
Sailing Ship II 220
Types of Ship 221
Shipbuilding 222
Motor Ship 223
Navigation 224
Docks, Port, Harbour (*Am. Harbor*) I 225
Docks, Port, Harbour (*Am. Harbor*) II 226
Salvage (Salving) and Towing 227
Life Saving 228
Aircraft I 229
Aircraft II 230
Aircraft III 231
Aircraft IV 232
Airport 233
Space Flight I 234
Space Flight II 235
Post Office I 236
Post Office II (Telecommunications) 237
Broadcasting (Radio and Television) I 238
Broadcasting (Radio and Television) II 239
Broadcasting III (Television Engineering) 240
Music Systems (Audio Systems) I 241
Music Systems (Audio Systems) II 242
Video Equipment 243

Personal Computer (PC) 244

Office, Bank, Stock Exchange

Office I 245
Office II 246
Office III 247
Office IV 248
Office V 249
Bank 250
Stock Exchange 251

Community

Money (Coins and Notes,
Am. Coins and Bills) 252
Flags 253
Heraldry, Crowns and Coronets 254
Armed Forces I (Army) 255
Armed Forces II (Air Force I) 256
Armed Forces III (Air Force II) 257
Warships I 258
Warships II (Modern Fighting Ships) 259
School I (Primary School) 260
School II (Secondary School, High School) 261
University 262
Election 263
Police 264
Café 265
Restaurant 266
Hotel 267
Town (Town Centre, *Am. Downtown*) 268
Water Supply 269
Fire Service (*Am. Fire Department*) 270
Department Store 271
Park 272

Recreation, Games, Sport

Children's Playground 273
Spa 274
Roulette 275
Board Games and Party Games 276
Billiards 277
Camping and Caravanning
(*Am. Trailing*) 278
Surf Riding (Surfing), Skin Diving 279
Bathing Beach 280
Swimming Bath (Leisure Centre,
Am. Center) 281
Swimming 282
Rowing and Canoeing 283
Sailing I 284
Sailing II 285
Motorboats (Powerboats), Water Skiing 286
Gliding (Soaring) 287
Aerial Sports (Airsports) 288
Horseanship, Equestrian Sport 289
Cycle Racing and Motorsports 290

Ball Games I (Football, Association Football,
Soccer) 291
Ball Games II 292
Ball Games III 293
Fencing 294
Free Exercise 295
Apparatus Gymnastics I 296
Apparatus Gymnastics II (Women's
Gymnastics) 297
Athletics (Track and Field Events) 298
Weightlifting and Combat Sports 299
Mountaineering 300
Winter Sports I (Skiing) 301
Winter Sports II 302
Winter Sports III 303
Countryside in Winter 304
Various Sports 305

Entertainment, Culture, and Art

Carnival 306
Circus 307
Fair, Fairground 308
Flea Market 309
Films (Motion Pictures) I 310
Films (Motion Pictures) II 311
Films (Motion Pictures) III 312
Films (Motion Pictures) IV 313
Ballet 314
Theatre (*Am. Theater*) I 315
Theatre (*Am. Theater*) II 316
Discotheque 317
Nightclub 318
Bullfighting, Rodeo 319
Musical Notation I 320
Musical Notation II 321
Musical Instruments I 322
Musical Instruments II 323
Musical Instruments III 324
Musical Instruments IV 325
Musical Instruments V 326
Fabulous Creatures (Fabled Beings) 327
Prehistory 328
Chivalry 329
Church I 330
Church II 331
Church III 332
Art I 333
Art II 334
Art III 335
Art IV 336
Art V 337
Artist's Studio 338
Sculptor's Studio 339

Graphic Art 340
Script I 341
Script II 342
Colour (*Am. Color*) 343
Mathematics I 344
Mathematics II 345
Mathematics III (Geometry I) 346
Mathematics IV (Geometry II) 347
Mathematics V (Sets) 348
Chemistry Laboratory I 349
Chemistry Laboratory II 350
Crystals, Crystallography 351
Ethnology I 352
Ethnology II 353
Ethnology III 354
Historical Costumes 355

Animals and Plants

Zoo (Zoological Gardens) 356
Invertebrates 357
Arthropods 358
Birds I 359
Birds II (Indigenous Birds, Endemic Birds) 360
Birds III (Passerines) 361
Birds IV (Birds of Prey) 362
Birds V (Exotic Birds) 363
Fish, Amphibia, and Reptiles 364
Lepidoptera (Butterflies and Moths) 365
Mammals I 366
Mammals II 367
Mammals III 368
Deep-sea Fauna 369
General Botany 370
Deciduous Trees 371
Conifers 372
Ornamental Shrubs and Trees I 373
Ornamental Shrubs and Trees II 374
Meadow Flowers and Wayside Flowers
(Wild Flowers) I 375
Meadow Flowers and Wayside Flowers
(Wild Flowers) II 376
Plants of Forest, Marsh, and Heathland 377
Alpine Plants, Aquatic Plants (Water Plants),
and Marsh Plants 378
Poisonous Plants 379
Medicinal Plants 380
Edible Fungi (Esculent Fungi) 381
Tropical Plants used as Stimulants, Spices,
and Flavourings (*Am. Flavorings*) 382
Plants used in Industry 383
Southern Fruits (Tropical, Subtropical,
and Mediterranean Fruits) 384

1-8 atom models

- 1 model of the hydrogen (H) atom
- 2 atomic nucleus, a proton
- 3 electron
- 4 electron spin
- 5 model of the helium (He) atom
- 6 electron shell
- 7 Pauli exclusion principle (exclusion principle, Pauli principle)
- 8 complete electron shell of the Na atom (sodium atom)

9-14 molecular structures (lattice structures)

- 9 crystal of sodium chloride (of common salt)
- 10 chlorine ion
- 11 sodium ion
- 12 crystal of cristobalite
- 13 oxygen atom
- 14 silicon atom

15 energy level diagram (term diagram, possible quantum jumps) of the hydrogen atom

- 16 atomic nucleus (proton)
- 17 electron
- 18 ground state level
- 19 excited state

20-25 quantum jumps (quantum transitions)

- 20 Lyman series
- 21 Balmer series
- 22 Paschen series
- 23 Brackett series
- 24 Pfund series
- 25 free electron

26 Bohr-Sommerfeld model of the H atom

- 27 electron orbits of the electron
- 28 spontaneous decay of radioactive material

29 atomic nucleus

- 30, 31 alpha (α) particle (alpha ray, helium nucleus)
- 30 neutron
- 31 proton
- 32 beta (β) particle (beta ray, electron)

33 gamma (γ) ray, a hard X-ray

34 nuclear fission

- 35 heavy atomic nucleus
- 36 neutron bombardment
- 37, 38 fission fragments
- 39 released neutron
- 40 gamma (γ) ray

41 chain reaction

- 42 incident neutron
- 43 nucleus prior to fission
- 44 fission fragment
- 45 released neutron
- 46 repeated fission
- 47 fission fragment

48 controlled chain reaction in a nuclear reactor

- 49 atomic nucleus of a fissionable element
- 50 neutron bombardment
- 51 fission fragment (new atomic nucleus)

52 released neutron

53 absorbed neutrons

54 moderator, a retarding layer of graphite

55 extraction of heat (production of energy)

56 X-ray

57 concrete and lead shield

58 bubble chamber for showing the tracks of high-energy ionizing particles

59 light source

60 camera

61 expansion line

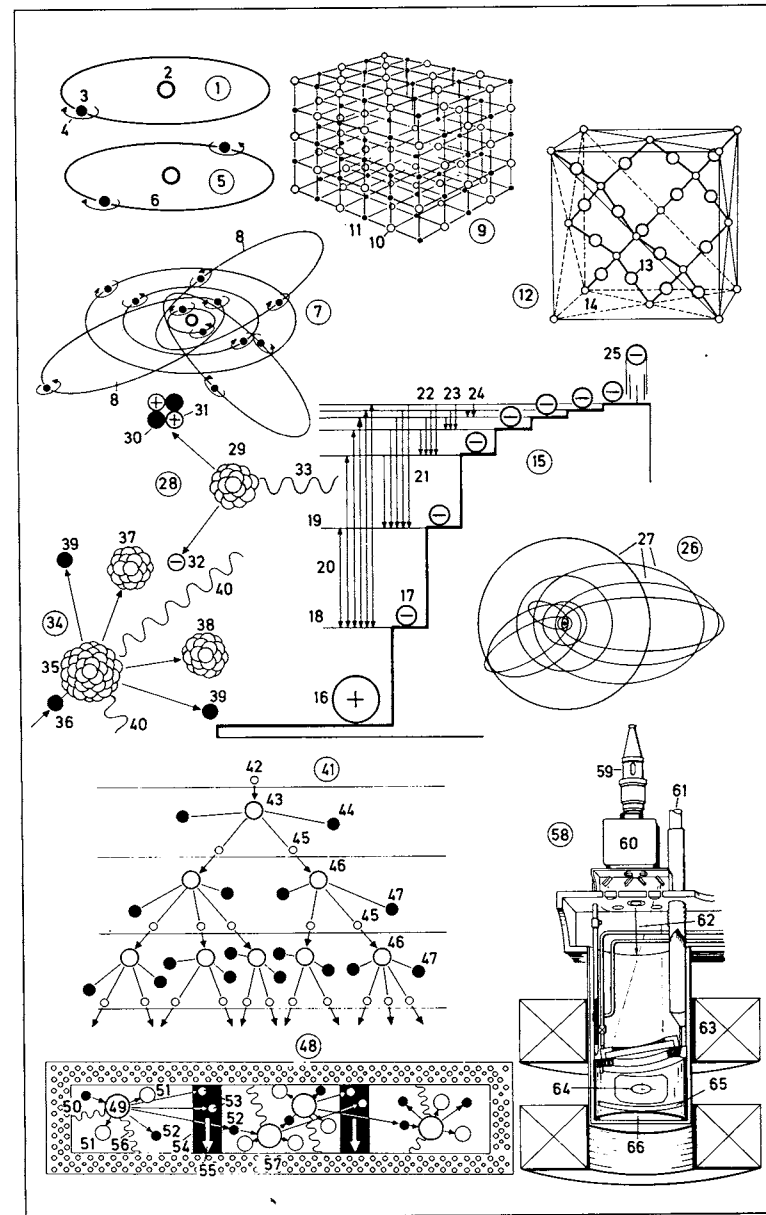
62 path of light rays

63 magnet

64 beam entry point

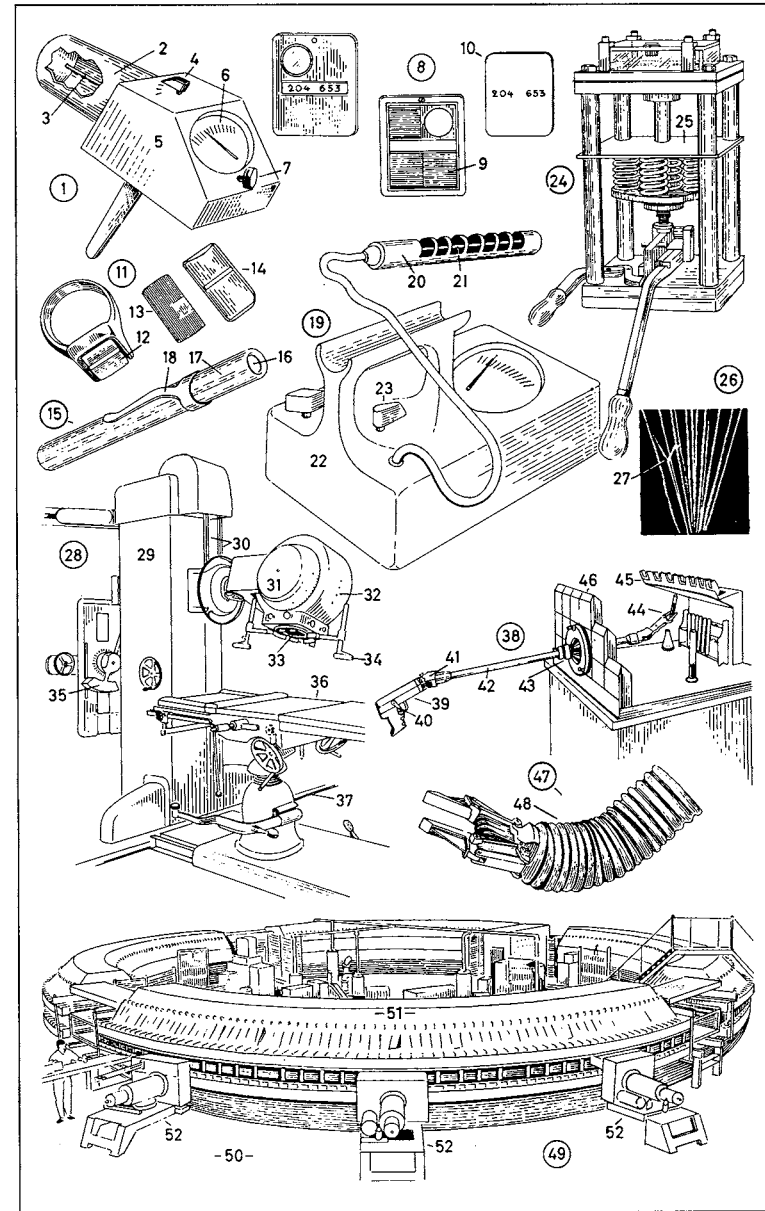
65 reflector

66 chamber



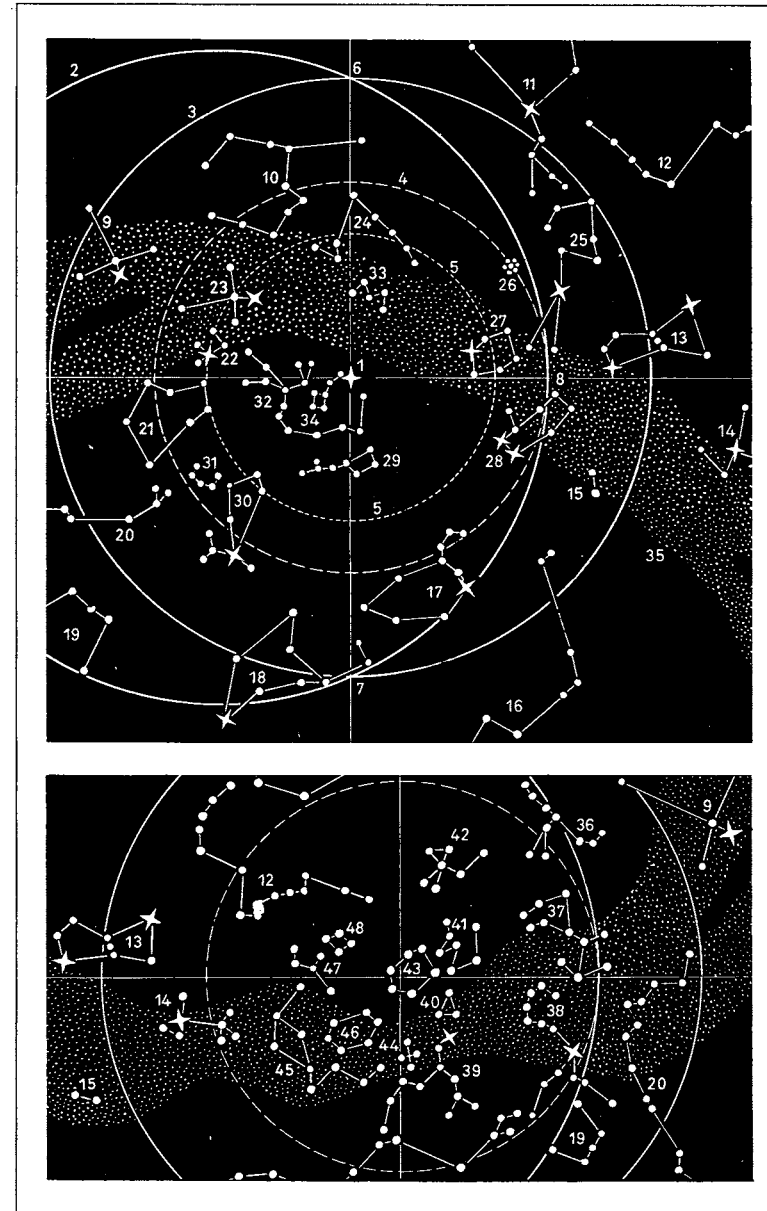
- 1-23 radiation detectors** (radiation meters)
 1 radiation monitor
 2 ionization chamber (ion chamber)
 3 central electrode
 4 measurement range selector
 5 instrument housing
 6 meter
 7 zero adjustment
8-23 dosimeter (dosemeter)
 8 film dosimeter
 9 filter
 10 film
 11 film-ring dosimeter
 12 filter
 13 film
 14 cover with filter
 15 pocket meter (pen meter, pocket chamber)
 16 window
 17 ionization chamber (ion chamber)
 18 clip (pen clip)
 19 Geiger counter (Geiger-Müller counter)
 20 counter tube casing
 21 counter tube
 22 instrument housing
 23 measurement range selector
 24 Wilson cloud chamber (Wilson chamber)
 25 compression plate
 26 cloud chamber photograph
 27 cloud chamber track of an alpha particle
 28 **telecobalt unit** (*coll. cobalt bomb*)
 29 pillar stand
 30 support cables
 31 radiation shield (radiation shielding)
 32 sliding shield
 33 bladed diaphragm
 34 light-beam positioning device
 35 pendulum device (pendulum)
 36 irradiation table
 37 rail (track)
 38 **manipulator with sphere unit**

- 39 handle
 40 safety catch (locking lever)
 41 wrist joint
 42 master arm
 43 clamping device (clamp)
 44 tongs
 45 slotted board
 46 radiation shield (protective shield, protective shielding), a lead shielding wall [section]
 47 grasping arm of a pair of manipulators (of a master/slave manipulator)
 48 dust shield
 49 **synchrotron**
 50 danger zone
 51 magnet
 52 pumps for emptying the vacuum chamber



1-35 star map of the northern sky

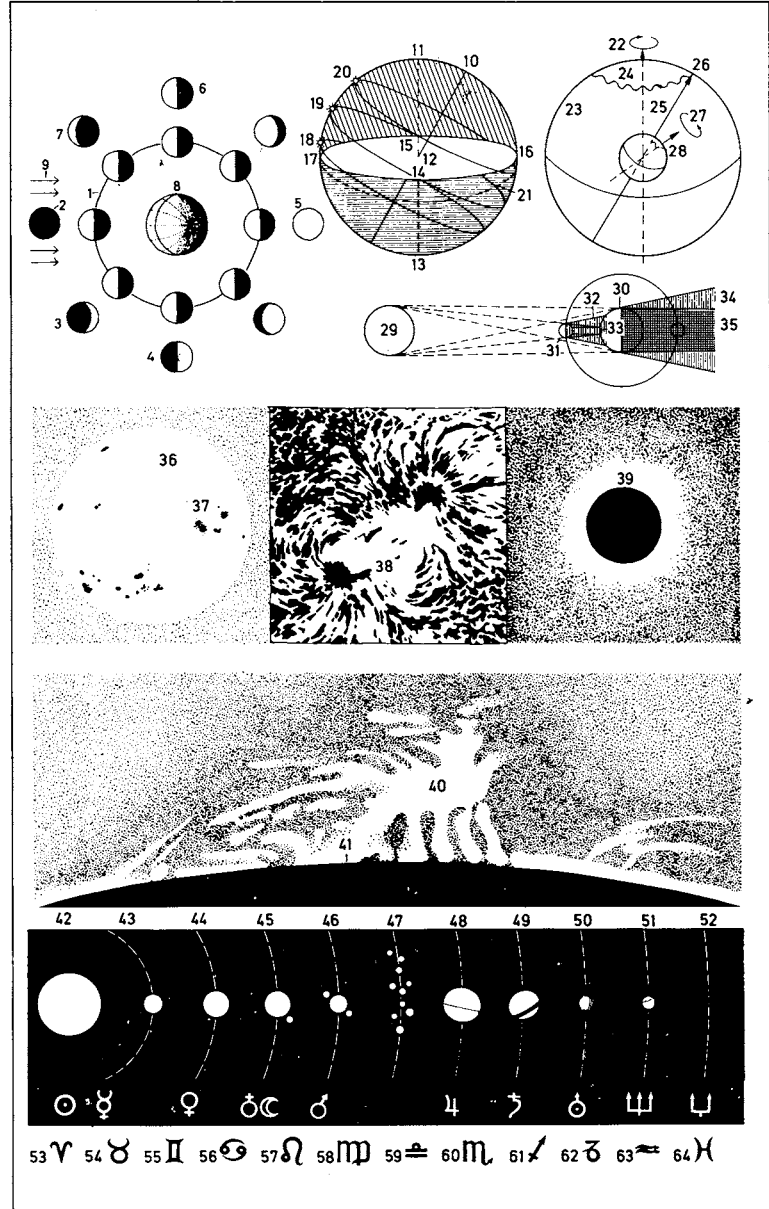
(northern hemisphere)

1-8 divisions of the sky**1** celestial pole with the Pole Star (Polaris, the North Star)**2** ecliptic (apparent annual path of the sun)**3** celestial equator (equinoctial line)**4** tropic of Cancer**5** circle enclosing circumpolar stars**6, 7** equinoctial points (equinoxes)**6** vernal equinoctial point (first point of Aries)**7** autumnal equinoctial point**8** summer solstice**9-48 constellations (grouping of fixed stars into figures) and names of stars****9** Aquila (the Eagle) with Altair the principal star (the brightest star)**10** Pegasus (the Winged Horse)**11** Cetus (the Whale) with Mira, a variable star**12** Eridanus (the Celestial River)**13** Orion (the Hunter) with Rigel, Betelgeuse and Bellatrix**14** Canis Major (the Great Dog, the Greater Dog) with Sirius (the Dog Star), a star of the first magnitude**15** Canis Minor (the Little Dog, the Lesser Dog) with Procyon**16** Hydra (the Water Snake, the Sea Serpent)**17** Leo (the Lion) with Regulus**18** Virgo (the Virgin) with Spica**19** Libra (the Balance, the Scales)**20** Serpens (the Serpent)**21** Hercules**22** Lyra (the Lyre) with Vega**23** Cygnus (the Swan, the Northern Cross) with Deneb**24** Andromeda**25** Taurus (the Bull) with Aldebaran**26** The Pleiades (Pleiads, the Seven Sisters), an open cluster of stars**27** Auriga (the Wagoner, the Charioteer) with Capella**28** Gemini (the Twins) with Castor and Pollux**29** Ursa Major (the Great Bear, the Greater Bear, the Plough, Charles's Wain, *Am.* the Big Dipper) with the double star (binary star) Mizar and Alcor**30** Boötes (the Herdsman) with Arcturus**31** Corona Borealis (the Northern Crown)**32** Draco (the Dragon)**33** Cassiopeia**34** Ursa Minor (the Little Bear, Lesser Bear, *Am.* Little Dipper) with the Pole Star (Polaris, the North Star)**35** the Milky Way (the Galaxy)**36-48 the southern sky****36** Capricorn (the Goat, the Sea Goat)**37** Sagittarius (the Archer)**38** Scorpio (the Scorpion)**39** Centaurus (the Centaur)**40** Triangulum Australe (the Southern Triangle)**41** Pavo (the Peacock)**42** Grus (the Crane)**43** Octans (the Octant)**44** Crux (the Southern Cross, the Cross)**45** Argo (the Celestial Ship)**46** Carina (the Keel)**47** Pictor (the Painter)**48** Reticulum (the Net)

4 Astronomy II

- 1-9 the moon
- 1 moon's path (moon's orbit round the earth)
- 2-7 lunar phases (moon's phases) (lunation)
- 2 new moon
- 3 crescent (crescent moon, waxing moon)
- 4 half-moon (first quarter)
- 5 full moon
- 6 half-moon (last quarter, third quarter)
- 7 crescent (crescent moon, waning moon)
- 8 the earth (terrestrial globe)
- 9 direction of the sun's rays
- 10-21 apparent path of the sun at the beginning of the seasons
- 10 celestial axis
- 11 zenith
- 12 horizontal plane
- 13 nadir
- 14 east point
- 15 west point
- 16 north point
- 17 south point
- 18 apparent path of the sun on 21 December
- 19 apparent path of the sun on 21 March and 23 September
- 20 apparent path of the sun on 21 June
- 21 border of the twilight area
- 22-28 rotary motions of the earth's axis
- 22 axis of the ecliptic
- 23 celestial sphere
- 24 path of the celestial pole [precession and nutation]
- 25 instantaneous axis of rotation
- 26 celestial pole
- 27 mean axis of rotation
- 28 polhode
- 29-35 solar and lunar eclipse [not to scale]
- 29 the sun
- 30 the earth
- 31 the moon

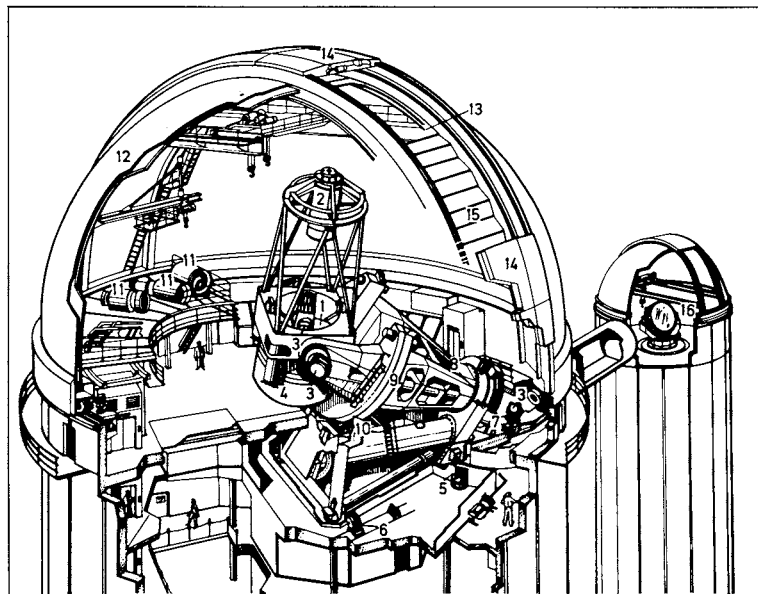
- 32 solar eclipse
- 33 area of the earth in which the eclipse appears total
- 34, 35 lunar eclipse
- 34 penumbra (partial shadow)
- 35 umbra (total shadow)
- 36-41 the sun
- 36 solar disc (disk) (solar globe, solar sphere)
- 37 sunspots
- 38 cyclones in the area of sunspots
- 39 corona (solar corona), observable during total solar eclipse or by means of special instruments
- 40 prominences (solar prominences)
- 41 moon's limb during a total solar eclipse
- 42-52 planets (planetary system, solar system) [not to scale] and planet symbols
- 42 the sun
- 43 Mercury
- 44 Venus
- 45 Earth, with the moon, a satellite
- 46 Mars, with two moons
- 47 asteroids (minor planets)
- 48 Jupiter
- 49 Saturn
- 50 Uranus
- 51 Neptune
- 52 Pluto, with the moon Charon
- 53-64 signs of the zodiac (zodiacal signs)
- 53 Aries (the Ram)
- 54 Taurus (the Bull)
- 55 Gemini (the Twins)
- 56 Cancer (the Crab)
- 57 Leo (the Lion)
- 58 Virgo (the Virgin)
- 59 Libra (the Balance, the Scales)
- 60 Scorpio (the Scorpion)
- 61 Sagittarius (the Archer)
- 62 Capricorn (the Goat, the Sea Goat)
- 63 Aquarius (the Water Carrier, the Water Bearer)
- 64 Pisces (the Fish)



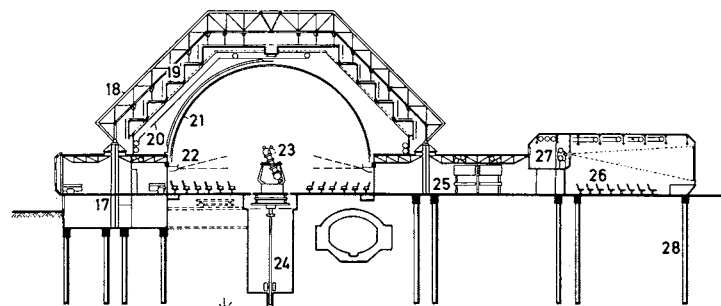
1-16 the European Southern

Observatory (ESO) on *Cerro la Silla, Chile*, an observatory [section]

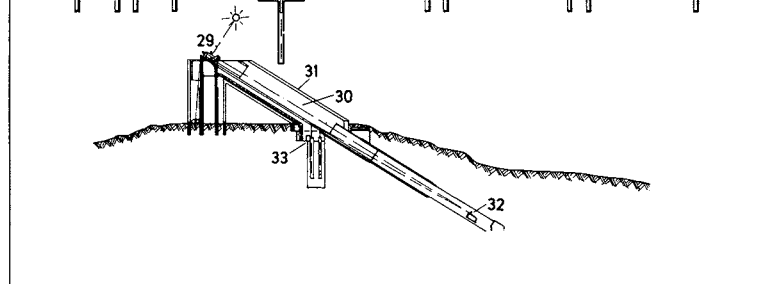
- 1 primary mirror (main mirror) with a diameter of 3.6 m (144 inches)
- 2 prime focus cage with mounting for secondary mirrors
- 3 flat mirror for the coudé ray path
- 4 Cassegrain cage
- 5 grating spectrograph
- 6 spectrographic camera
- 7 hour axis drive
- 8 hour axis
- 9 horseshoe mounting
- 10 hydrostatic bearing
- 11 primary and secondary focusing devices
- 12 observatory dome, a revolving dome
- 13 observation opening
- 14 vertically movable dome shutter
- 15 wind screen
- 16 siderostat

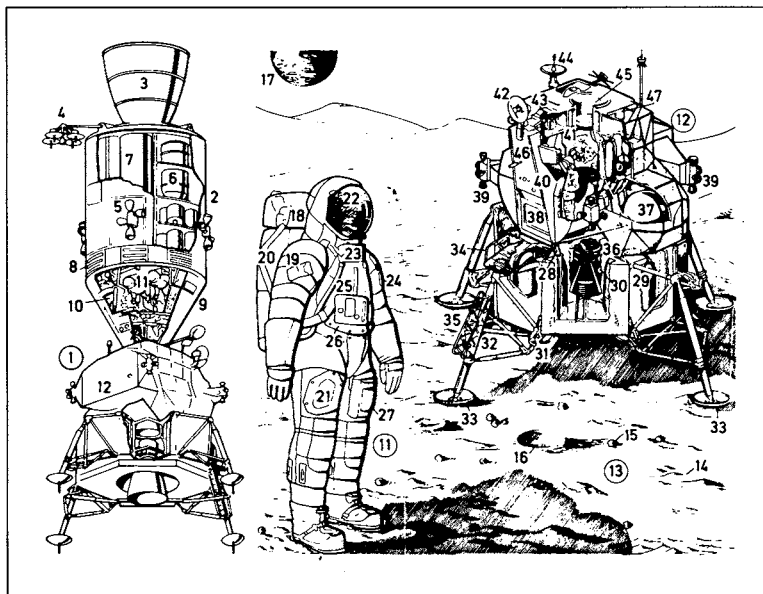
17-28 the *Stuttgart* Planetarium [section]

- 17 administration, workshop, and store area
- 18 steel scaffold
- 19 glass pyramid
- 20 revolving arched ladder
- 21 projection dome
- 22 light stop
- 23 planetarium projector
- 24 well
- 25 foyer
- 26 theatre (*Am. theater*)
- 27 projection booth
- 28 foundation pile

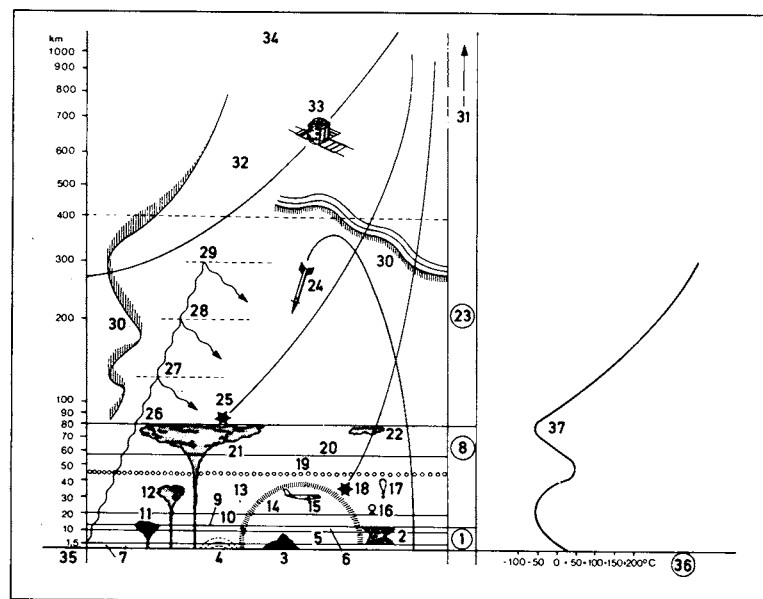
29-33 the *Kitt Peak* solar observatory near *Tucson, Ariz.* [section]

- 29 heliostat
- 30 sunken observation shaft
- 31 water-cooled windshield
- 32 concave mirror
- 33 observation room housing the spectrograph





- | | |
|--|---|
| 1 Apollo spacecraft | 24 penlight pocket |
| 2 service module (SM) | 25 access flap for the purge valve |
| 3 nozzle of the main rocket engine | 26 tube and cable connections for the radio, ventilation, and water-cooling systems |
| 4 directional antenna | 27 pocket for pens, tools, etc. |
| 5 manoeuvring (<i>Am.</i> maneuvering) rockets | 28-36 descent stage |
| 6 oxygen and hydrogen tanks for the spacecraft's energy system | 28 connector |
| 7 fuel tank | 29 fuel tank |
| 8 radiators of the spacecraft's energy system | 30 engine |
| 9 command module (Apollo space capsule) | 31 mechanism for unfolding the legs |
| 10 entry hatch of the space capsule | 32 main shock absorber |
| 11 astronaut | 33 landing pad |
| 12 lunar module (LM) | 34 ingress/egress platform (hatch platform) |
| 13 moon's surface (lunar surface), a dust-covered surface | 35 ladder to platform and hatch |
| 14 lunar dust | 36 cardan mount for engine |
| 15 piece of rock | 37-47 ascent stage |
| 16 meteorite crater | 37 fuel tank |
| 17 the earth | 38 ingress/egress hatch (entry/exit hatch) |
| 18-27 space suit (extra-vehicular suit) | 39 LM manoeuvring (<i>Am.</i> maneuvering) rockets |
| 18 emergency oxygen apparatus | 40 window |
| 19 sunglass pocket [with sunglasses for use on board] | 41 crew compartment |
| 20 life support system (life support pack), a backpack unit | 42 rendezvous radar antenna |
| 21 access flap | 43 inertial measurement unit |
| 22 space suit helmet with sun filters | 44 directional antenna for ground control |
| 23 control box of the life support pack | 45 upper hatch (docking hatch) |
| | 46 inflight antenna |
| | 47 docking target recess |



- | | |
|--|---|
| 1 the troposphere | 20 zero level |
| 2 thunderclouds | 21 eruption of Krakatoa |
| 3 the highest mountain, <i>Mount Everest</i> [8,882 m] | 22 luminous clouds (noctilucent clouds) |
| 4 rainbow | 23 the ionosphere |
| 5 jet stream level | 24 range of research rockets |
| 6 zero level [inversion of vertical air movement] | 25 shooting star |
| 7 ground layer (surface boundary layer) | 26 short wave (high frequency) |
| 8 the stratosphere | 27 E-layer (Heaviside-Kennelly Layer) |
| 9 tropopause | 28 F ₁ -layer |
| 10 separating layer (layer of weaker air movement) | 29 F ₂ -layer |
| 11 atomic explosion | 30 aurora (polar light) |
| 12 hydrogen bomb explosion | 31 the exosphere |
| 13 ozone layer | 32 atom layer |
| 14 range of sound wave propagation | 33 range of satellite sounding |
| 15 stratosphere aircraft | 34 fringe region |
| 16 manned balloon | 35 altitude scale |
| 17 sounding balloon | 36 temperature scale (thermometric scale) |
| 18 meteor | 37 temperature graph |
| 19 upper limit of ozone layer | |

8 Meteorology I

1-19 clouds and weather

1-4 clouds found in homogeneous air masses

- 1 cumulus (woolpack cloud), a heap cloud; *here*: cumulus humilis (fair-weather cumulus), a flat-based heap cloud
- 2 cumulus congestus, a heap cloud with more marked vertical development
- 3 stratocumulus, a layer cloud (sheet cloud) arranged in heavy masses
- 4 stratus (high fog), a thick, uniform layer cloud (sheet cloud)

5-12 clouds found at warm fronts

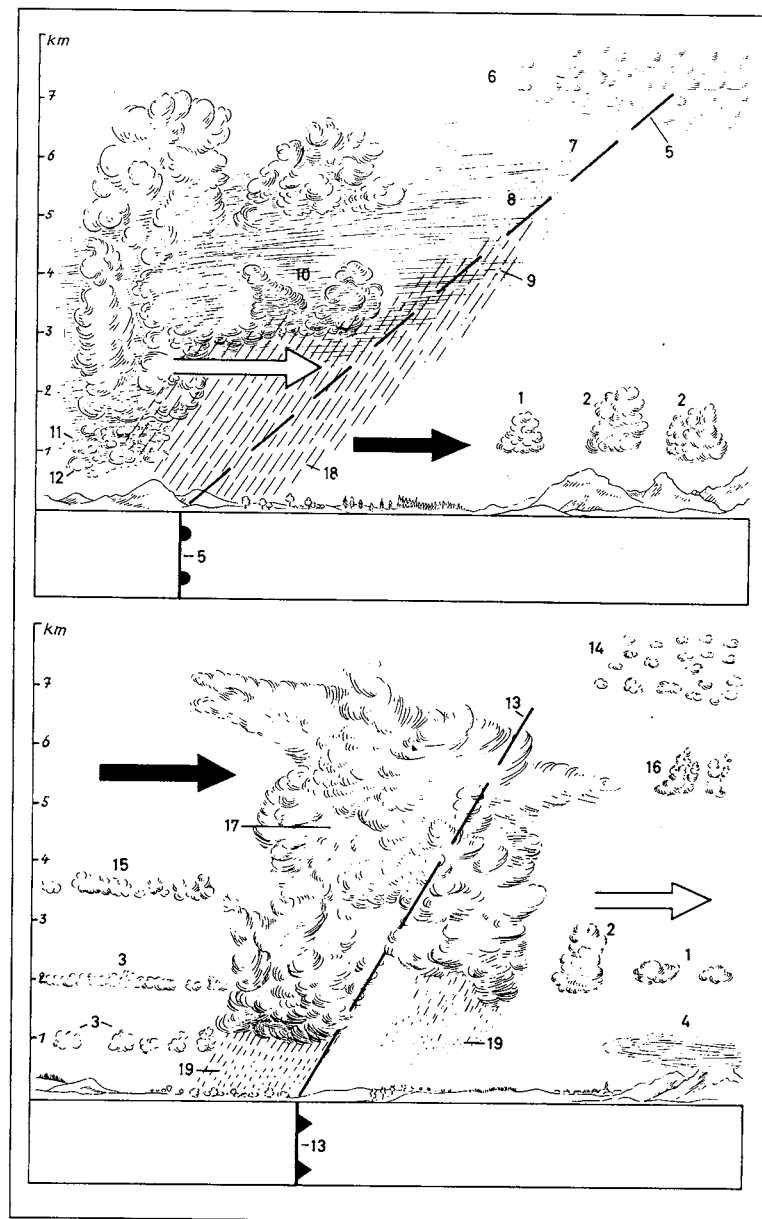
- 5 warm front
- 6 cirrus, a high to very high ice-crystal cloud, thin and assuming a wide variety of forms
- 7 cirrostratus, an ice-crystal cloud veil
- 8 altostratus, a layer cloud (sheet cloud) of medium height
- 9 altostratus praecipitans, a layer cloud (sheet cloud) with precipitation in its upper parts
- 10 nimbostratus, a rain cloud, a layer cloud (sheet cloud) of very large vertical extent which produces precipitation (rain or snow)
- 11 fractostratus, a ragged cloud occurring beneath nimbostratus
- 12 fractocumulus, a ragged cloud like 11 but with billowing shapes

13-17 clouds at cold fronts

- 13 cold front
- 14 cirrocumulus, thin fleecy cloud in the form of globular masses; *covering the sky*: mackerel sky
- 15 altocumulus, a cloud in the form of large globular masses
- 16 altocumulus castellanus and altocumulus floccus, species of 15
- 17 cumulonimbus, a heap cloud of very large vertical extent, to be classified under 1-4 in the case of tropical storms

18-19 types of precipitation

- 18 steady rain or snow covering a large area, precipitation of uniform intensity
- 19 shower, scattered precipitation



black arrow = cold air white arrow = warm air

1-39 weather chart (weather map, surface chart, surface synoptic chart)

1 isobar (line of equal or constant atmospheric or barometric pressure at sea level)

2 pleiobar (isobar of over 1,000 mb)

3 meiobar (isobar of under 1,000 mb)

4 atmospheric (barometric) pressure given in millibars

5 low-pressure area (low, cyclone, depression)

6 high-pressure area (high, anticyclone)

7 observatory (meteorological watch office, weather station) or ocean station vessel (weather ship)

8 temperature

9-19 means of representing wind direction (wind-direction symbols)

9 wind-direction shaft (wind arrow)

10 wind-speed barb (wind-speed feather) indicating wind speed

11 calm

12 1-2 knots (1 knot = 1.852 kph)

13 3-7 knots

14 8-12 knots

15 13-17 knots

16 18-22 knots

17 23-27 knots

18 28-32 knots

19 58-62 knots

20-24 state of the sky (distribution of the cloud cover)

20 clear (cloudless)

21 fair

22 partly cloudy

23 cloudy

24 overcast (sky mostly or completely covered)

25-29 fronts and air currents

25 occlusion (occluded front)

26 warm front

27 cold front

28 warm airstream (warm current)

29 cold airstream (cold current)

30-39 meteorological phenomena

30 precipitation area

31 fog

32 rain

33 drizzle

34 snow

35 ice pellets (graupel, soft hail)

36 hail

37 shower

38 thunderstorm

39 lightning

40-58 climatic map

40 isotherm (line connecting points having equal mean temperature)

41 0° C (zero) isotherm (line connecting points having a mean annual temperature of 0° C)

42 isocheim (line connecting points having equal mean winter temperature)

43 isother (line connecting points having equal mean summer temperature)

44 isohel (line connecting points having equal duration of sunshine)

45 isohyet (line connecting points having equal amounts of precipitation)

46-52 atmospheric circulation (wind systems)

46-47 calm belts

46 equatorial trough (equatorial calms, doldrums)

47 subtropical high-pressure belts (horse latitudes)

48 north-east trade winds (north-east trades, tropical easterlies)

49 south-east trade winds (south-east trades, tropical easterlies)

50 zones of the variable westerlies

51 polar wind zones

52 summer monsoon

53-58 earth's climates

53 equatorial climate: tropical zone (tropical rain zone)

54 the two arid zones (equatorial dry zones): desert and steppe zones

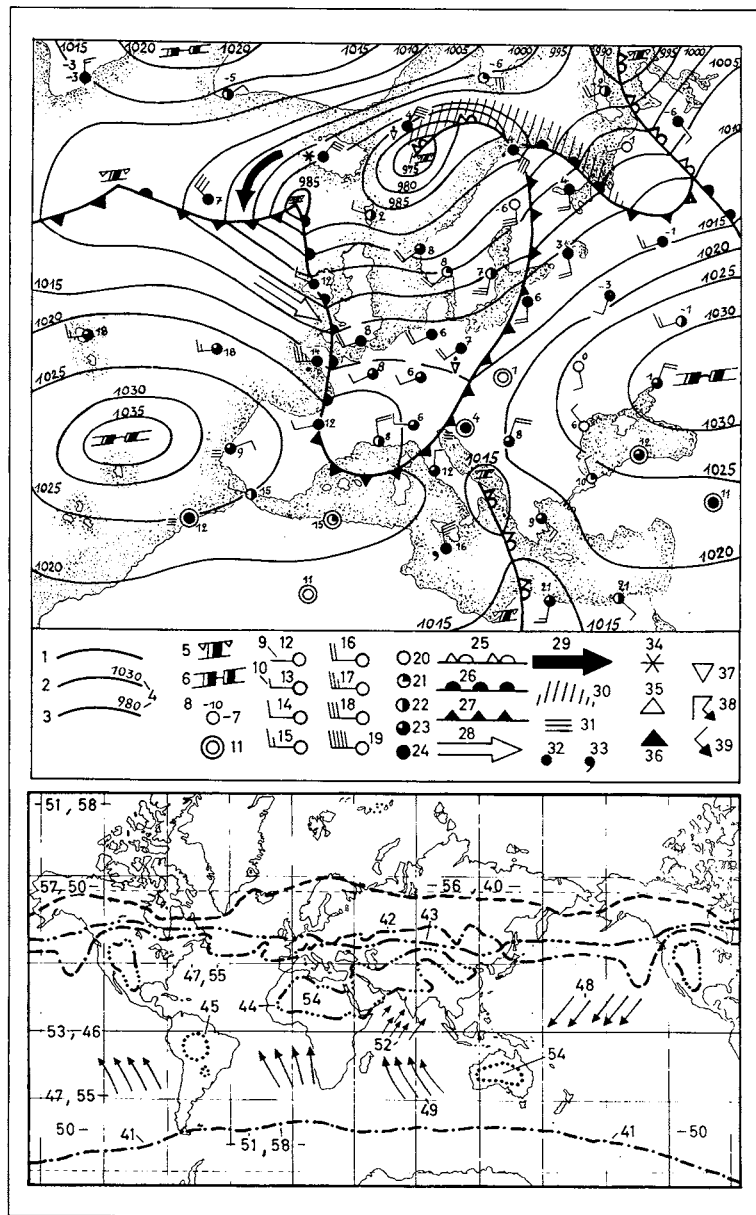
55 the two temperate rain zones

56 boreal climate (snow forest climate)

57, 58 polar climates

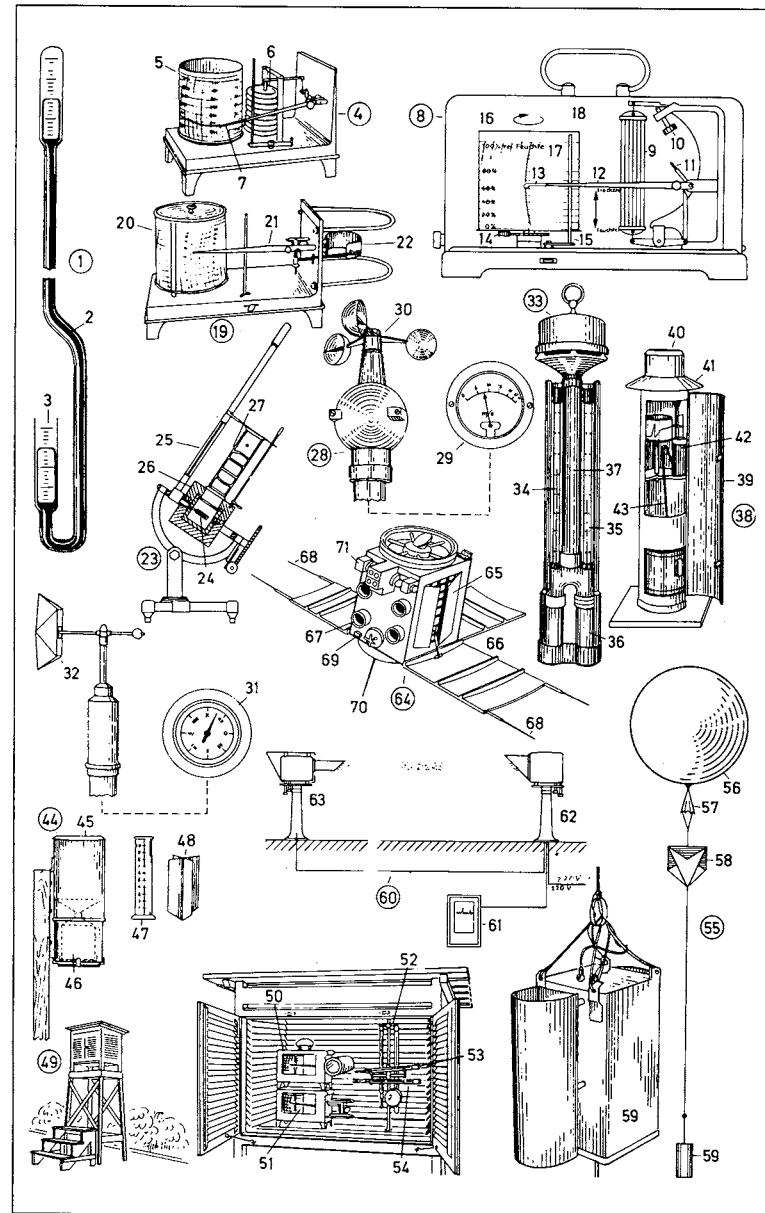
57 tundra climate

58 perpetual frost climate



- 1 mercury barometer, a siphon barometer, a liquid-column barometer
- 2 mercury column
- 3 millibar scale, a millimetre (*Am.* millimeter) scale
- 4 barograph, a self-registering aneroid barometer
- 5 drum (recording drum)
- 6 bank of aneroid capsules (aneroid boxes)
- 7 recording arm
- 8 hygrograph
- 9 hygrometer element (hair element)
- 10 reading adjustment
- 11 amplitude adjustment
- 12 recording arm
- 13 recording pen
- 14 change gears for the clockwork drive
- 15 off switch for the recording arm
- 16 drum (recording drum)
- 17 time scale
- 18 case (housing)
- 19 thermograph
- 20 drum (recording drum)
- 21 recording arm
- 22 sensing element
- 23 silver-disc (silver-disk) pyrhe-liometer, an instrument for measuring the sun's radiant energy
- 24 silver disc (disk)
- 25 thermometer
- 26 wooden insulating casing
- 27 tube with diaphragm (diaphragmed tube)
- 28 wind gauge (*Am.* gage) (anemo-meter)
- 29 wind-speed indicator (wind-speed meter)
- 30 cross arms with hemispherical cups
- 31 wind-direction indicator
- 32 wind vane
- 33 aspiration psychrometer
- 34 dry bulb thermometer
- 35 wet bulb thermometer
- 36 solar radiation shielding

- 37 suction tube
- 38 recording rain gauge (*Am.* gage)
- 39 protective housing (protective casing)
- 40 collecting vessel
- 41 rain cover
- 42 recording mechanism
- 43 siphon tube
- 44 precipitation gauge (*Am.* gage) (rain gauge)
- 45 collecting vessel
- 46 storage vessel
- 47 measuring glass
- 48 insert for measuring snowfall
- 49 thermometer screen (thermometer shelter)
- 50 hygrograph
- 51 thermograph
- 52 psychrometer (wet and dry bulb thermometer)
- 53, 54 thermometers for measuring extremes of temperature
- 53 maximum thermometer
- 54 minimum thermometer
- 55 radiosonde assembly
- 56 hydrogen balloon
- 57 parachute
- 58 radar reflector with spacing lines
- 59 instrument housing with radiosonde [a short-wave transmitter] and antenna
- 60 transmissometer, an instrument for measuring visibility
- 61 recording instrument (recorder)
- 62 transmitter
- 63 receiver
- 64 weather satellite (ITOS satellite)
- 65 temperature regulation flaps
- 66 solar panel
- 67 television camera
- 68 antenna
- 69 solar sensor (sun sensor)
- 70 telemetry antenna
- 71 radiometer



1-5 layered structure of the earth

- 1 earth's crust (outer crust of the earth, lithosphere, oxysphere)
- 2 hydrosphere
- 3 mantle
- 4 sima (intermediate layer)
- 5 core (earth core, centrosphere, barysphere)

6-12 hypsographic curve of the earth's surface

- 6 peak
- 7 continental mass
- 8 continental shelf (continental platform, shelf)
- 9 continental slope
- 10 deep-sea floor (abyssal plane)
- 11 sea level
- 12 deep-sea trench

13-28 volcanism (vulcanicity)

- 13 shield volcano
- 14 lava plateau
- 15 active volcano, a stratovolcano (composite volcano)
- 16 volcanic crater (crater)
- 17 volcanic vent
- 18 lava stream
- 19 tuff (fragmented volcanic material)
- 20 subterranean volcano
- 21 geyser
- 22 jet of hot water and steam
- 23 sinter terraces (siliceous sinter terraces, fiorite terraces, pearl sinter terraces)
- 24 cone
- 25 maar (extinct volcano)
- 26 tuff deposit
- 27 breccia
- 28 vent of extinct volcano

29-31 plutonic magmatism

- 29 batholite (massive protrusion)
- 30 lacolith, an intrusion
- 31 sill, an ore deposit

32-38 earthquake (kinds: tectonic quake, volcanic quake) and seismology

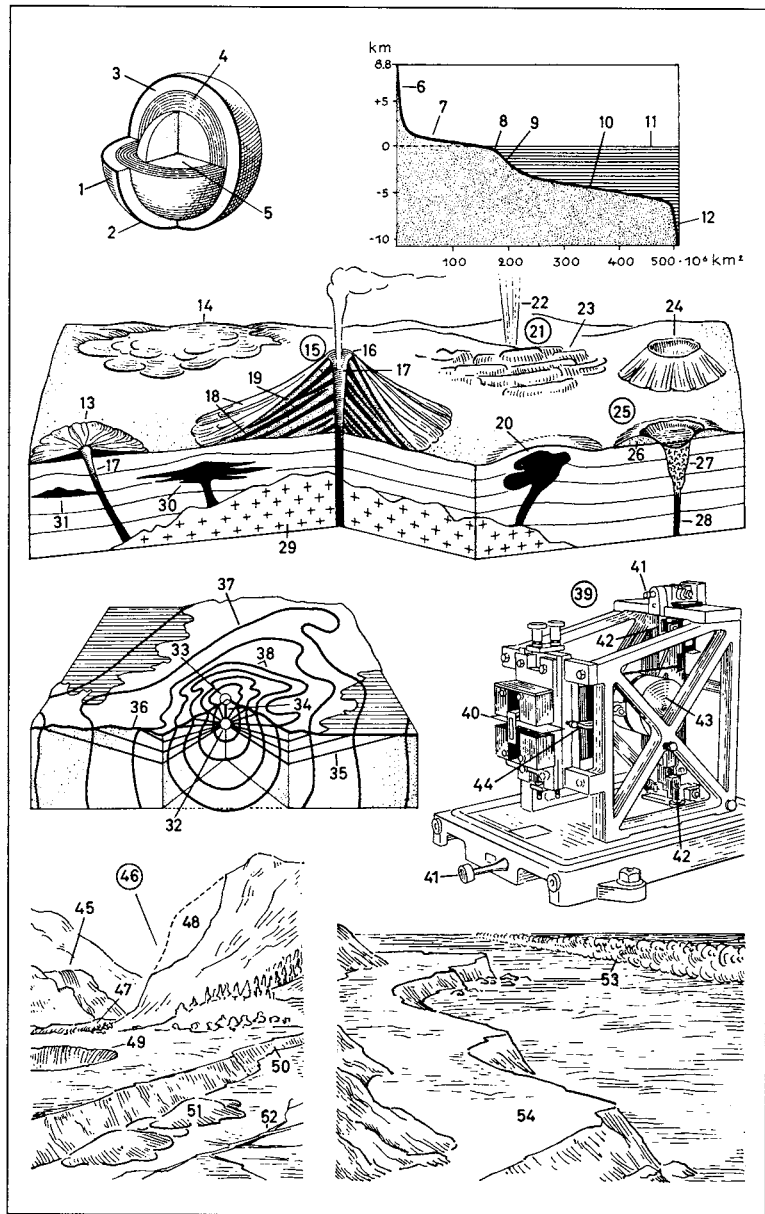
- 32 earthquake focus (seismic focus, hypocentre, *Am.* hypocenter)

33 epicentre (*Am.* epicenter), point on the earth's surface directly above the focus

- 34 depth of focus
- 35 shock wave
- 36 surface waves (seismic waves)
- 37 isoseismal (line connecting points of equal intensity of earthquake shock)
- 38 epicentral area, an area of macro-seismic vibration
- 39 **horizontal seismograph** (seismometer)
- 40 electromagnetic damper
- 41 adjustment knob for the period of free oscillation of the pendulum
- 42 spring attachment for the suspension of the pendulum
- 43 mass
- 44 induction coils for recording the voltage of the galvanometer

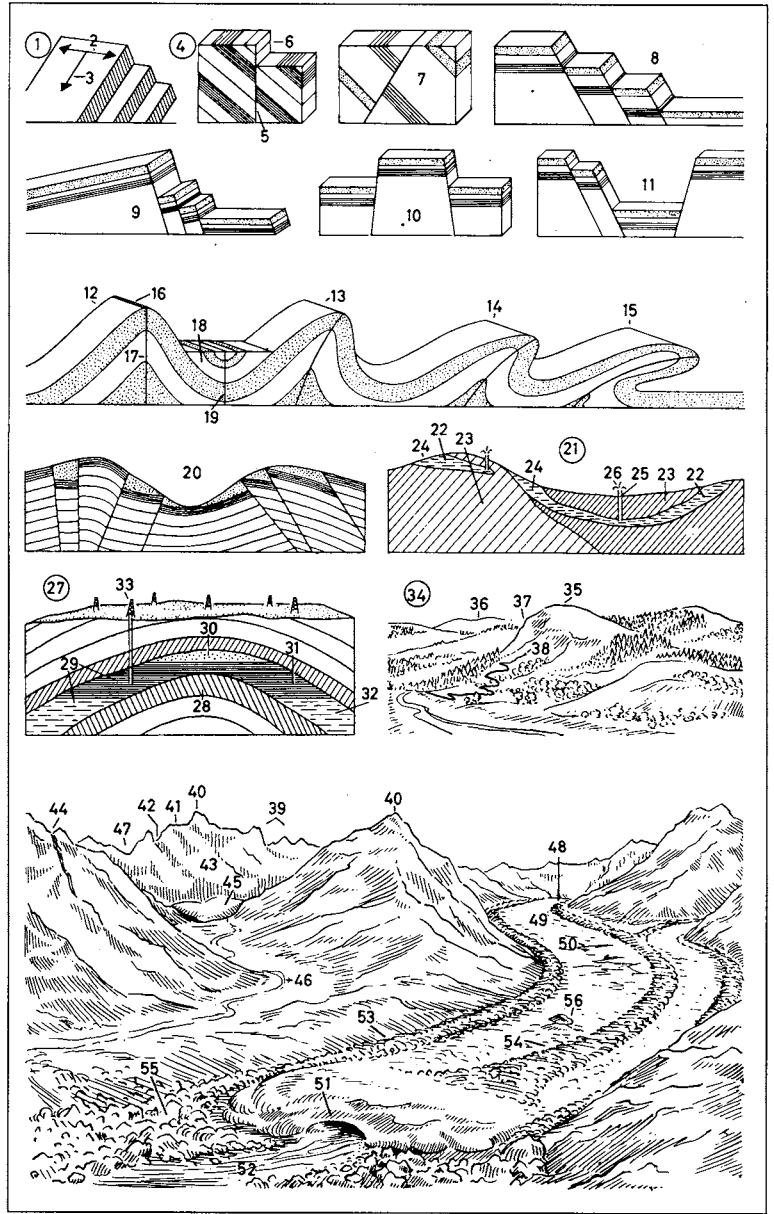
45-54 effects of earthquakes

- 45 waterfall (cataract, falls)
- 46 landslide (rockslide, landslip, *Am.* rock slip)
- 47 talus (rubble, scree)
- 48 scar (scaur, scaw)
- 49 sink (sinkhole, swallowhole)
- 50 dislocation (displacement)
- 51 solifluction lobe (solifluction tongue)
- 52 fissure
- 53 tsunami (seismic sea wave) produced by seaquake (submarine earthquake)
- 54 raised beach



- 1-33 geology
- 1 stratification of sedimentary rock
- 2 strike
- 3 dip (angle of dip, true dip)
- 4-20 orogeny (orogenis, tectogenis, deformation of rocks by folding and faulting)
- 4-11 fault-block mountain (block mountain)
- 4 fault
- 5 fault line (fault trace)
- 6 fault throw
- 7 normal fault (gravity fault, normal slip fault, slump fault)
- 8-11 complex faults
- 8 step fault (distributive fault, multiple fault)
- 9 tilt block
- 10 horst
- 11 graben
- 12-20 range of fold mountains (folded mountains)
- 12 symmetrical fold (normal fold)
- 13 asymmetrical fold
- 14 overfold
- 15 recumbent fold (reclined fold)
- 16 saddle (anticline)
- 17 anticlinal axis
- 18 trough (syncline)
- 19 trough surface (trough plane, synclinal axis)
- 20 anticlinorium
- 21 groundwater under pressure (artesian water)
- 22 water-bearing stratum (aquifer, aquafer)
- 23 impervious rock (impermeable rock)
- 24 drainage basin (catchment area)
- 25 artesian well
- 26 rising water, an artesian spring
- 27 petroleum reservoir in an anticline
- 28 impervious stratum (impermeable stratum)
- 29 porous stratum acting as reservoir rock
- 30 natural gas, a gas cap

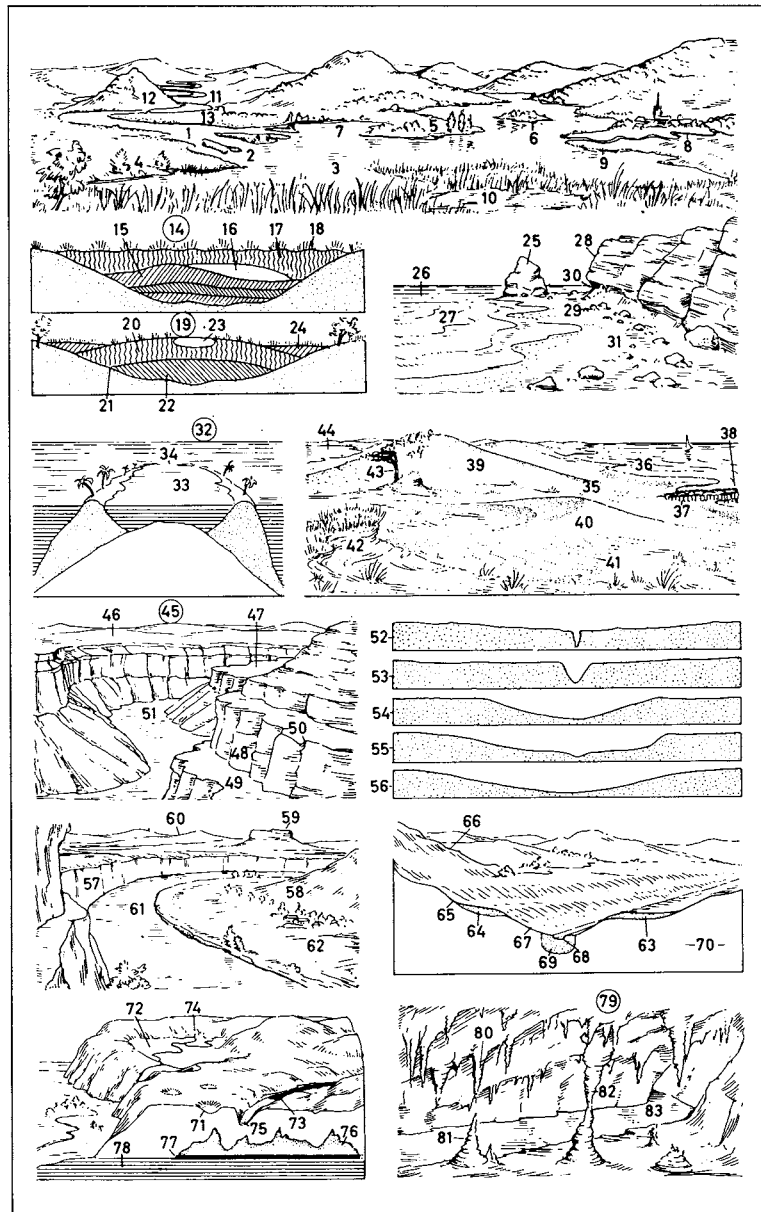
- 31 petroleum (crude oil)
- 32 underlying water
- 33 derrick
- 34 mountainous area
- 35 rounded mountain top
- 36 mountain ridge (ridge)
- 37 mountain slope
- 38 hillside spring
- 39-47 high-mountain region
- 39 mountain range, a massif
- 40 summit (peak, top of the mountain)
- 41 shoulder
- 42 saddle
- 43 rock face (steep face)
- 44 gully
- 45 talus (scree, detritus)
- 46 bridle path
- 47 pass (col)
- 48-56 glacial ice
- 48 firn field (firn basin, nevé)
- 49 valley glacier
- 50 crevasse
- 51 glacier snout
- 52 subglacial stream
- 53 lateral moraine
- 54 medial moraine
- 55 end moraine
- 56 glacier table



1-13 fluvial topography

- 1 river mouth, a delta
- 2 distributary (distributary channel), a river branch (river arm)
- 3 lake
- 4 bank
- 5 peninsula (spit)
- 6 island
- 7 bay (cove)
- 8 stream (brook, rivulet, creek)
- 9 levee
- 10 alluvial plain
- 11 meander (river bend)
- 12 meander core (rock island)
- 13 meadow
- 14-24 bog (marsh)
- 14 low-moor bog
- 15 layers of decayed vegetable matter
- 16 entrapped water
- 17 fen peat [consisting of rush and sedge]
- 18 alder-swamp peat
- 19 high-moor bog
- 20 layer of recent sphagnum mosses
- 21 boundary between layers (horizons)
- 22 layer of older sphagnum mosses
- 23 bog pool
- 24 swamp
- 25-31 **cliffline** (cliffs)
- 25 rock
- 26 sea (ocean)
- 27 surf
- 28 cliff (cliff face, steep rock face)
- 29 scree
- 30 [wave-cut] notch
- 31 abrasion platform (wave-cut platform)
- 32 atoll, a ring-shaped coral reef
- 33 lagoon
- 34 breach (hole)
- 35-44 beach
- 35 high-water line (high-water mark, tidemark)
- 36 waves breaking on the shore
- 37 groyne (*Am.* groin)
- 38 groyne (*Am.* groin) head
- 39 wandering dune (migratory dune, travelling, *Am.* traveling, dune), a dune
- 40 barchan (barchane, barkhan, crescentic dune)

- 41 ripple marks
- 42 hummock
- 43 wind cripple
- 44 coastal lake
- 45 **canyon** (cañon, coulee)
- 46 plateau (tableland)
- 47 rock terrace
- 48 sedimentary rock (stratified rock)
- 49 river terrace (bed)
- 50 joint
- 51 canyon river
- 52-56 **types of valley** [cross section]
- 52 gorge (ravine)
- 53 V-shaped valley (V-valley)
- 54 widened V-shaped valley
- 55 U-shaped valley (U-valley, trough valley)
- 56 synclinal valley
- 57-70 **river valley**
- 57 scarp (escarpment)
- 58 slip-off slope
- 59 mesa
- 60 ridge
- 61 river
- 62 flood plain
- 63 river terrace
- 64 terracette
- 65 pediment
- 66 hill
- 67 valley floor (valley bottom)
- 68 riverbed
- 69 sediment
- 70 bedrock
- 71-83 **karst formation in limestone**
- 71 dolina, a sink (sinkhole, swallow-hole)
- 72 polje
- 73 percolation of a river
- 74 karst spring
- 75 dry valley
- 76 system of caverns (system of caves)
- 77 water level (water table) in a karst formation
- 78 impervious rock (impermeable rock)
- 79 limestone cave (dripstone cave)
- 80, 81 speleothems (cave formations)
- 80 stalactite (dripstone)
- 81 stalagmite
- 82 linked-up stalagmite and stalactite
- 83 subterranean river



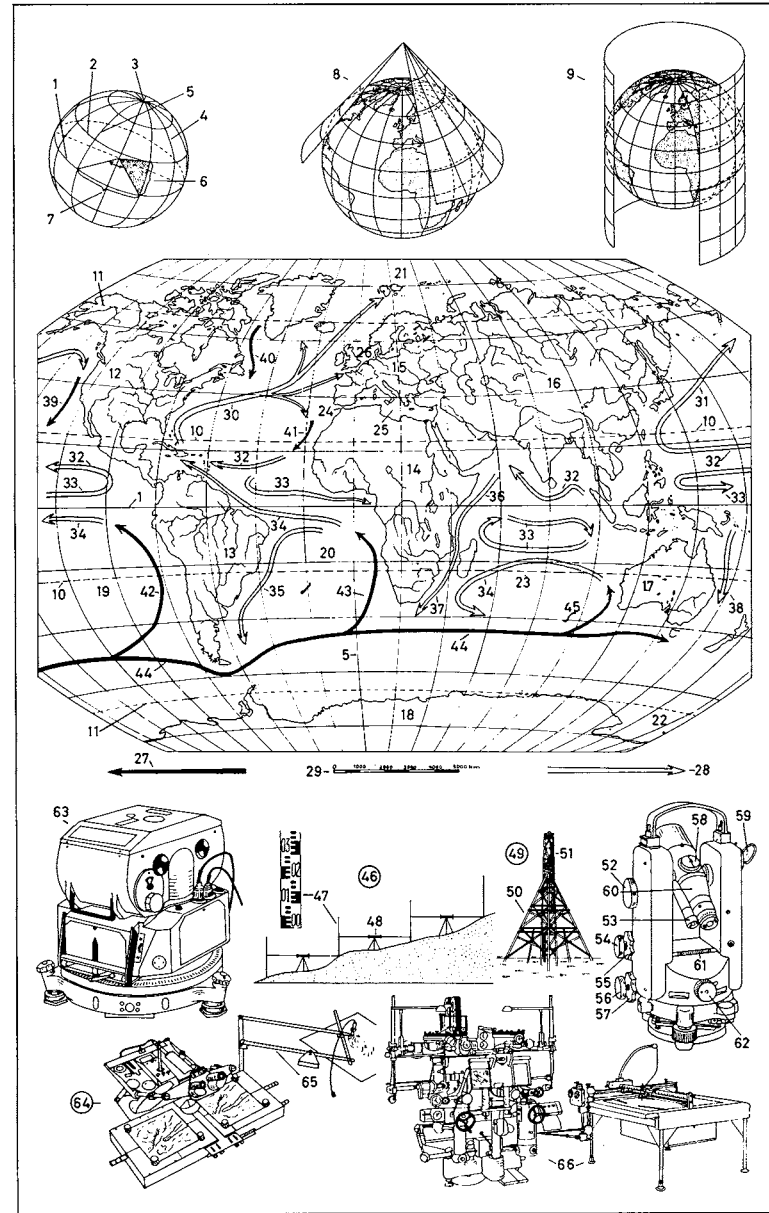
1-7 graticule of the earth (network of meridians and parallels on the earth's surface)

- 1 equator
 2 line of latitude (parallel of latitude, parallel)
 3 pole (North Pole or South Pole), a terrestrial pole (geographical pole)
 4 line of longitude (meridian of longitude, meridian, terrestrial meridian)
 5 Standard meridian (Prime meridian, Greenwich meridian, meridian of Greenwich)
 6 latitude
 7 longitude
8, 9 map projections
 8 conical (conic) projection
 9 cylindrical projection (Mercator projection, Mercator's projection)

10-45 map of the world

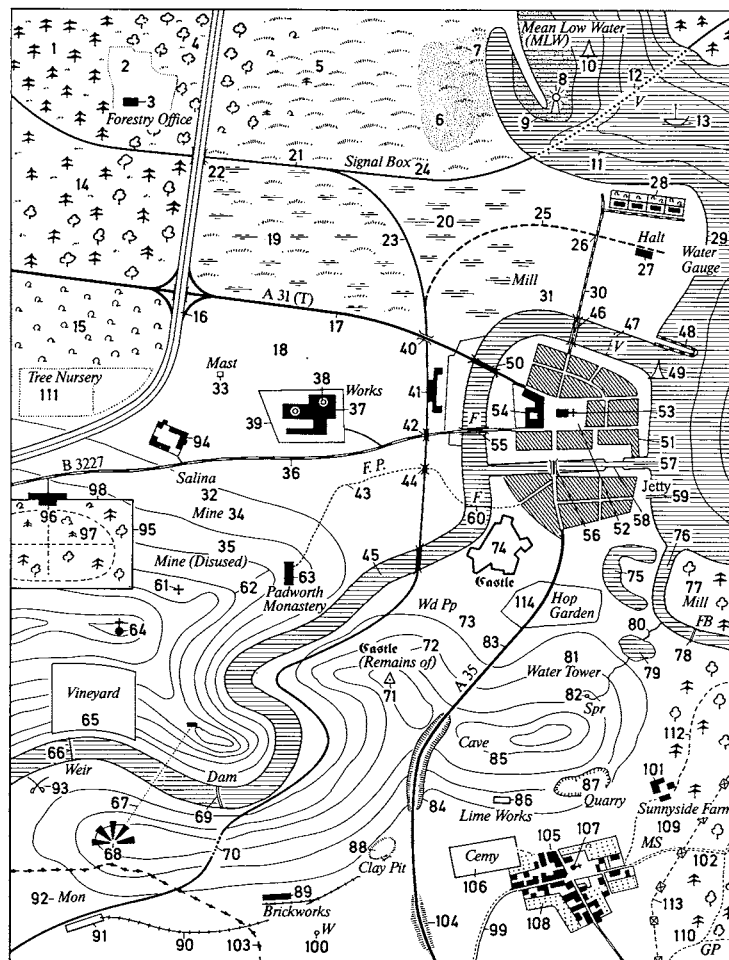
- 10 tropics
 11 polar circles
12-18 continents
 12, 13 America
 12 North America
 13 South America
 14 Africa
 15, 16 Europe and Asia
 15 Europe
 16 Asia
 17 Australia
 18 Antarctica (Antarctic Continent)
19-26 ocean (sea)
 19 Pacific Ocean
 20 Atlantic Ocean
 21 Arctic Ocean
 22 Antarctic Ocean (Southern Ocean)
 23 Indian Ocean
 24 Strait of Gibraltar, a sea strait
 25 Mediterranean (Mediterranean Sea, European Mediterranean)
 26 North Sea, a marginal sea (epiric sea, epicontinental sea)
27-29 key (explanation of map symbols)
 27 cold ocean current
 28 warm ocean current
 29 scale
30-45 ocean (oceanic) currents (ocean drifts)
 30 Gulf Stream (North Atlantic Drift)

- 31 Kuroshio (Kuro Siwo, Japan Current)
 32 North Equatorial Current
 33 Equatorial Countercurrent
 34 South Equatorial Current
 35 Brazil Current
 36 Somali Current
 37 Agulhas Current
 38 East Australian Current
 39 California Current
 40 Labrador Current
 41 Canary Current
 42 Peru Current
 43 Benguela (Benguella) Current
 44 West Wind Drift (Antarctic Circumpolar Drift)
 45 West Australian Current
46-62 surveying (land surveying, geodetic surveying, geodesy)
 46 levelling (*Am.* leveling) (geometrical measurement of height)
 47 graduated measuring rod (levelling, *Am.* leveling, staff)
 48 level (surveying level, surveyor's level), a surveyor's telescope
 49 triangulation station (triangulation point)
 50 supporting scaffold
 51 signal tower (signal mast)
52-62 theodolite, an instrument for measuring angles
 52 micrometer head
 53 micrometer eyepiece
 54 vertical tangent screw
 55 vertical clamp
 56 tangent screw
 57 horizontal clamp
 58 adjustment for the illuminating mirror
 59 illuminating mirror
 60 telescope
 61 spirit level
 62 circular adjustment
63-66 photogrammetry (phototopography)
 63 air survey camera for producing overlapping series of pictures
 64 stereoscope
 65 pantograph
 66 stereoplanigraph



1-114 map signs (map symbols, conventional signs) on a 1:25 000 map

- | | |
|---|--|
| 1 coniferous wood (coniferous trees) | 47 vehicle ferry |
| 2 clearing | 48 mole |
| 3 forestry office | 49 beacon |
| 4 deciduous wood (non-coniferous trees) | 50 stone bridge |
| 5 heath (rough grassland, rough pasture, heath and moor, bracken) | 51 town or city |
| 6 sand or sand hills | 52 market place (market square) |
| 7 beach grass | 53 large church with two towers |
| 8 lighthouse | 54 public building |
| 9 mean low water | 55 road bridge |
| 10 beacon | 56 iron bridge |
| 11 submarine contours | 57 canal |
| 12 train ferry | 58 lock |
| 13 lightship | 59 jetty |
| 14 mixed wood (mixed trees) | 60 foot ferry (foot passenger ferry) |
| 15 brushwood | 61 chapel (church) without tower or spire |
| 16 motorway with slip road (<i>Am.</i> freeway with on-ramp, freeway with acceleration lane) | 62 contours |
| 17 trunk road | 63 monastery or convent |
| 18 grassland | 64 church landmark |
| 19 marshy grassland | 65 vineyard |
| 20 marsh | 66 weir |
| 21 main line railway (<i>Am.</i> trunk line) | 67 aerial ropeway |
| 22 road over railway | 68 view point |
| 23 branch line | 69 dam |
| 24 signal box (<i>Am.</i> switch tower) | 70 tunnel |
| 25 local line | 71 triangulation station (triangulation point) |
| 26 level crossing | 72 remains of a building |
| 27 halt | 73 wind pump |
| 28 residential area | 74 fortress |
| 29 water gauge (<i>Am.</i> gage) | 75 ox-bow lake |
| 30 good, metalled road | 76 river |
| 31 windmill | 77 watermill |
| 32 thorn house (graduation house, salina, salt-works) | 78 footbridge |
| 33 broadcasting station (wireless or television mast) | 79 pond |
| 34 mine | 80 stream (brook, rivulet, creek) |
| 35 disused mine | 81 water tower |
| 36 secondary road (B road) | 82 spring |
| 37 works | 83 main road (A road) |
| 38 chimney | 84 cutting |
| 39 wire fence | 85 cave |
| 40 bridge over railway | 86 lime kiln |
| 41 railway station (<i>Am.</i> railroad station) | 87 quarry |
| 42 bridge under railway | 88 clay pit |
| 43 footpath | 89 brickworks |
| 44 bridge for footpath under railway | 90 narrow-gauge (<i>Am.</i> narrow gauge) railway |
| 45 navigable river | 91 goods depot (freight depot) |
| 46 pontoon bridge | 92 monument |
| | 93 site of battle |
| | 94 country estate, a demesne |
| | 95 wall |
| | 96 stately home |
| | 97 park |
| | 98 hedge |



- | | |
|------------------------------------|--------------------------------------|
| 99 poor or unmetalled road | 110 guide post |
| 100 well | 111 tree nursery |
| 101 farm | 112 ride (aisle, lane, section line) |
| 102 unfenced path (unfenced track) | 113 electricity transmission line |
| 103 district boundary | 114 hop garden |
| 104 embankment | |
| 105 village | |
| 106 cemetery | |
| 107 church or chapel with spire | |
| 108 orchard | |
| 109 milestone | |

16 Man I

1-54 the human body

1-18 head

1 vertex (crown of the head, top of the head)

2 occiput (back of the head)

3 hair

4-17 face

4-5 forehead

4 frontal eminence (frontal protuberance)

5 superciliary arch

6 temple

7 eye

8 zygomatic bone (malar bone, jugal bone, cheekbone)

9 cheek

10 nose

11 nasolabial fold

12 philtrum

13 mouth

14 angle of the mouth (labial commissure)

15 chin

16 dimple (fossette) in the chin

17 jaw

18 ear

19-21 neck

19 throat

20 hollow of the throat

21 nape of the neck

22-41 trunk

22-25 back

22 shoulder

23 shoulderblade (scapula)

24 loins

25 small of the back

26 armpit

27 armpit hair

28-30 thorax (chest)

28-29 breasts (breast, mamma)

28 nipple

29 areola

30 bosom

31 waist

32 flank (side)

33 hip

34 navel

35-37 abdomen (stomach)

35 upper abdomen

36 abdomen

37 lower abdomen

38 groin

39 pudenda (vulva)

40 seat (backside, *coll.* bottom)

41 anal groove (anal cleft)

42 gluteal fold (gluteal furrow)

43-54 limbs

43-48 arm

43 upper arm

44 crook of the arm

45 elbow

46 forearm

47 hand

48 fist (clenched fist, clenched hand)

49-54 leg

49 thigh

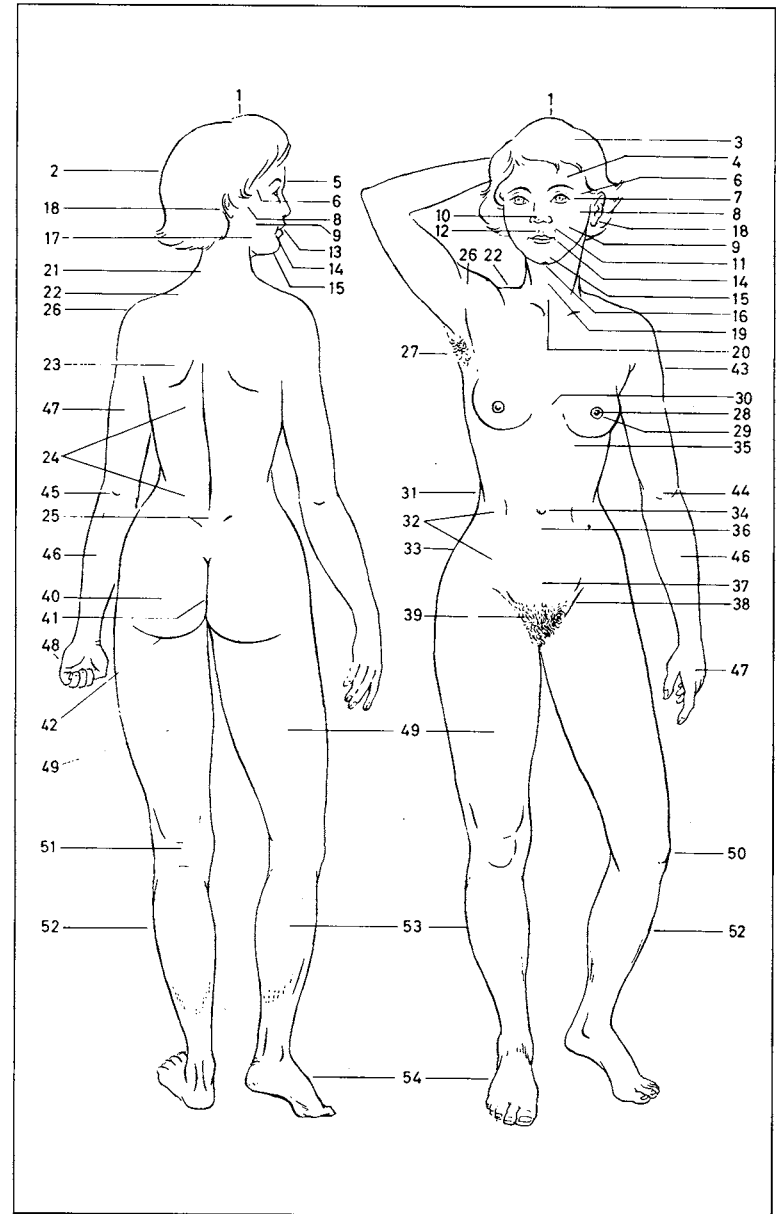
50 knee

51 popliteal space

52 shank

53 calf

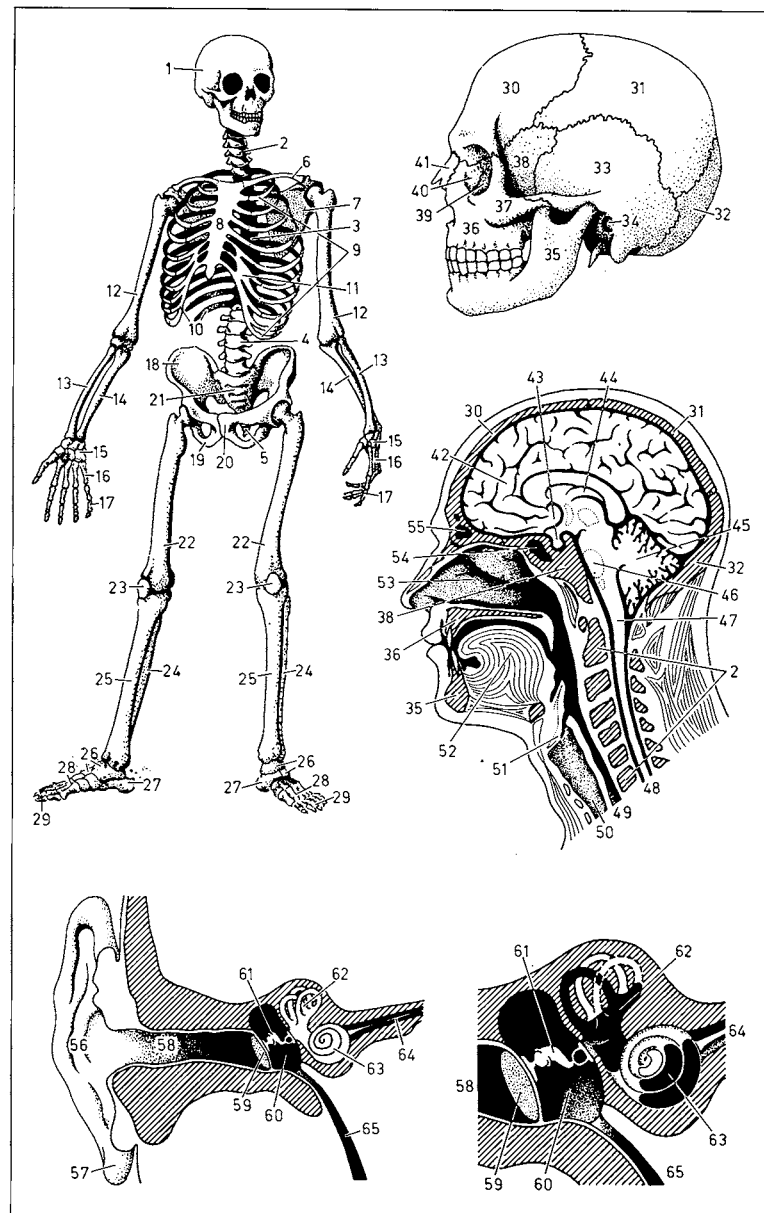
54 foot



1-29 skeleton (bones)

- 1 skull
2-5 vertebral column (spinal column, spine, backbone)
 2 cervical vertebra
 3 dorsal vertebra (thoracic vertebra)
 4 lumbar vertebra
 5 coccyx (coccygeal vertebra)
6, 7 shoulder girdle
 6 collarbone (clavicle)
 7 shoulderblade (scapula)
8-11 thorax (chest)
 8 breastbone (sternum)
 9 true ribs
 10 false ribs
 11 costal cartilage
12-14 arm
 12 humerus
 13 radius
 14 ulna
15-17 hand
 15 carpus
 16 metacarpal bone (metacarpal)
 17 phalanx (phalange)
18-21 pelvis
 18 ilium (hip bone)
 19 ischium
 20 pubis
 21 sacrum
22-25 leg
 22 femur (thigh bone, thigh)
 23 patella (kneecap)
 24 fibula (splint bone)
 25 tibia (shinbone)
26-29 foot
 26 tarsal bones (tarsus)
 27 calcaneum (heelbone)
 28 metatarsus
 29 phalanges
30-41 skull
 30 frontal bone
 31 left parietal bone
 32 occipital bone
 33 temporal bone
 34 external auditory canal
 35 lower jawbone (lower jaw, mandible)

- 36 upper jawbone (upper jaw, maxilla)
 37 zygomatic bone (cheekbone)
 38 sphenoid bone (sphenoid)
 39 ethmoid bone (ethmoid)
 40 lacrimal (lacrimal) bone
 41 nasal bone
42-55 head [section]
 42 cerebrum (great brain)
 43 pituitary gland (pituitary body, hypophysis cerebri)
 44 corpus callosum
 45 cerebellum (little brain)
 46 pons (pons cerebri, pons cerebelli)
 47 medulla oblongata (brain stem)
 48 spinal cord
 49 oesophagus (esophagus, gullet)
 50 trachea (windpipe)
 51 epiglottis
 52 tongue
 53 nasal cavity
 54 sphenoidal sinus
 55 frontal sinus
56-65 organ of equilibrium and hearing
56-58 external ear
 56 auricle
 57 ear lobe
 58 external auditory canal
59-61 middle ear
 59 tympanic membrane
 60 tympanic cavity
 61 auditory ossicles: hammer, anvil, and stirrup (malleus, incus, and stapes)
62-64 inner ear (internal ear)
 62 labyrinth
 63 cochlea
 64 auditory nerve
 65 eustachian tube



1-21 blood circulation (circulatory system)

- 1 common carotid artery, an artery
- 2 jugular vein, a vein
- 3 temporal artery
- 4 temporal vein
- 5 frontal artery
- 6 frontal vein
- 7 subclavian artery
- 8 subclavian vein
- 9 superior vena cava
- 10 arch of the aorta (aorta)
- 11 pulmonary artery [with venous blood]
- 12 pulmonary vein [with arterial blood]
- 13 lungs
- 14 heart
- 15 inferior vena cava
- 16 abdominal aorta (descending portion of the aorta)
- 17 iliac artery
- 18 iliac vein
- 19 femoral artery
- 20 tibial artery
- 21 radial artery

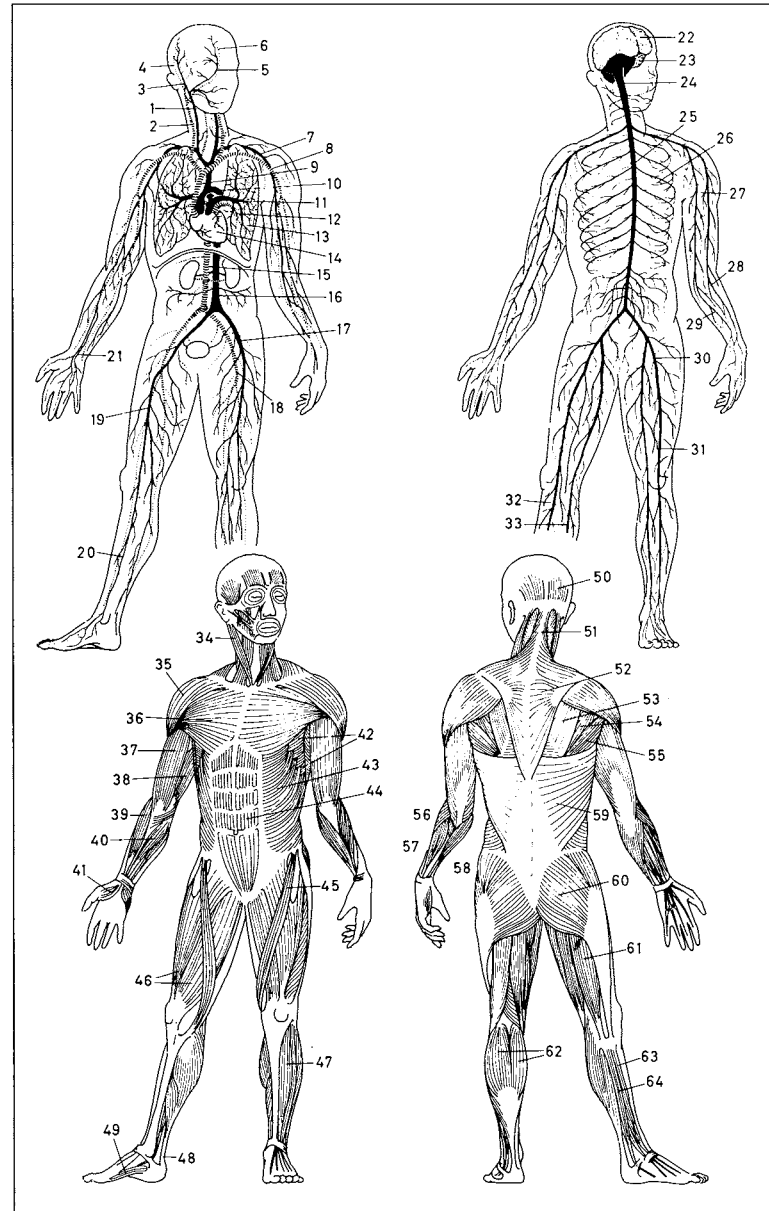
22-33 nervous system

- 22 cerebrum (great brain)
- 23 cerebellum (little brain)
- 24 medulla oblongata (brain stem)
- 25 spinal cord
- 26 thoracic nerves
- 27 brachial plexus
- 28 radial nerve
- 29 ulnar nerve
- 30 great sciatic nerve [lying posteriorly]
- 31 femoral nerve (anterior crural nerve)
- 32 tibial nerve
- 33 peroneal nerve

34-64 musculature (muscular system)

- 34 sternocleidomastoid muscle (sternomastoid muscle)
- 35 deltoid muscle
- 36 pectoralis major (greater pectoralis muscle, greater pectoralis)
- 37 biceps brachii (biceps of the arm)

- 38 triceps brachii (triceps of the arm)
- 39 brachioradialis
- 40 flexor carpi radialis (radial flexor of the wrist)
- 41 thenar muscle
- 42 serratus anterior
- 43 obliquus externus abdominis (external oblique)
- 44 rectus abdominis
- 45 sartorius
- 46 vastus lateralis and vastus medialis
- 47 tibialis anterior
- 48 tendo calcaneus (Achilles' tendon)
- 49 abductor hallucis (abductor of the hallux), a foot muscle
- 50 occipitalis
- 51 splenius of the neck
- 52 trapezius
- 53 infraspinatus
- 54 teres minor (lesser teres)
- 55 teres major (greater teres)
- 56 extensor carpi radialis longus (long radial extensor of the wrist)
- 57 extensor communis digitorum (common extensor of the digits)
- 58 flexor carpi ulnaris (ulnar flexor of the wrist)
- 59 latissimus dorsi
- 60 gluteus maximus
- 61 biceps femoris (biceps of the thigh)
- 62 gastrocnemius, medial and lateral heads
- 63 extensor communis digitorum (common extensor of the digits)
- 64 peroneus longus (long peroneus)



1-13 head and neck

- 1 sternocleidomastoid muscle (sternomas-toid muscle)
- 2 occipitalis
- 3 temporalis (temporal, temporal muscle)
- 4 occipito frontalis (frontalis)
- 5 orbicularis oculi
- 6 muscles of facial expression
- 7 masseter
- 8 orbicularis oris
- 9 parotid gland
- 10 lymph node (submandibular lymph gland)
- 11 submandibular gland (submaxillary gland)
- 12 muscles of the neck
- 13 Adam's apple (laryngeal prominence) [in men only]

14-37 mouth and pharynx

- 14 upper lip
- 15 gum
- 16-18 teeth (set of teeth)
- 16 incisors
- 17 canine tooth (canine)
- 18 premolar (bicuspid) and molar teeth (premolars and molars)
- 19 angle of the mouth (labial commissure)
- 20 hard palate
- 21 soft palate (velum palati, velum)
- 22 uvula
- 23 palatine tonsil (tonsil)
- 24 pharyngeal opening (pharynx)
- 25 tongue
- 26 lower lip
- 27 upper jaw (maxilla)

28-37 tooth

- 28 periodontal membrane (periodontium, pericementum)
- 29 cement (dental cementum, crusta pet-rosa)
- 30 enamel
- 31 dentine (dentin)
- 32 dental pulp (tooth pulp, pulp)
- 33 nerves and blood vessels
- 34 incisor
- 35 molar tooth (molar)
- 36 root (fang)
- 37 crown

38-51 eye

- 38 eyebrow (supercilium)
- 39 upper eyelid (upper palpebra)
- 40 lower eyelid (lower palpebra)
- 41 eyelash (cilium)
- 42 iris

43 pupil

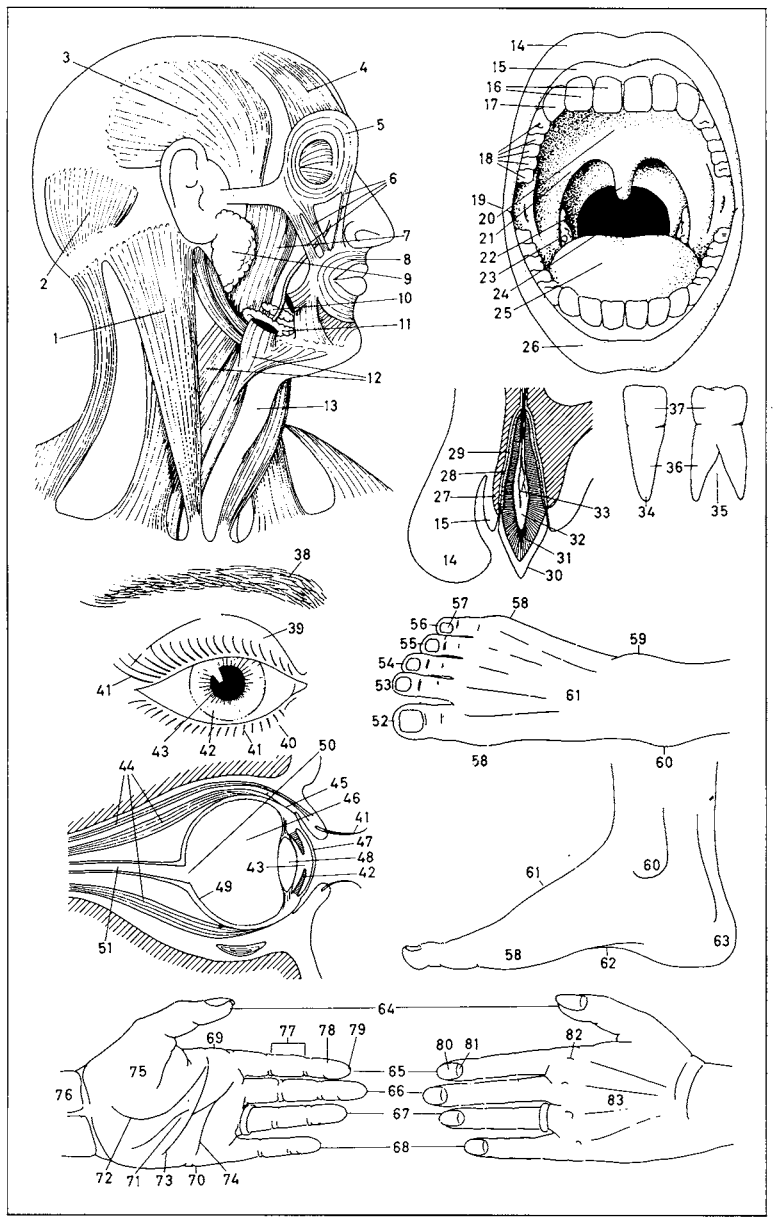
- 44 eye muscles (ocular muscles)
- 45 eyeball
- 46 vitreous body
- 47 cornea
- 48 lens
- 49 retina
- 50 blind spot
- 51 optic nerve

52-63 foot

- 52 big toe (great toe, first toe, hallux, digi-tus I)
- 53 second toe (digitus II)
- 54 third toe (digitus III)
- 55 fourth toe (digitus IV)
- 56 little toe (digitus minimus, digitus V)
- 57 toenail
- 58 ball of the foot
- 59 lateral malleolus (external malleolus, outer malleolus, malleolus fibulae)
- 60 medial malleolus (internal malleolus, inner malleolus, malleolus tibialae, malleolus medialis)
- 61 instep (medial longitudinal arch, dor-sum of the foot, dorsum pedis)
- 62 sole of the foot
- 63 heel

64-83 hand

- 64 thumb (pollex, digitus I)
- 65 index finger (forefinger, second finger, digitus II)
- 66 middle finger (third finger, digitus medius, digitus III)
- 67 ring finger (fourth finger, digitus anu-laris, digitus IV)
- 68 little finger (fifth finger, digitus min-imus, digitus V)
- 69 radial side of the hand
- 70 ulnar side of the hand
- 71 palm of the hand (palma manus)
- 72-74 lines of the hand
- 72 life line (line of life)
- 73 head line (line of the head)
- 74 heart line (line of the heart)
- 75 ball of the thumb (thenar eminence)
- 76 wrist (carpus)
- 77 phalanx (phalange)
- 78 finger pad
- 79 fingertip
- 80 fingernail (nail)
- 81 lunule (lunula) of the nail
- 82 knuckle
- 83 back of the hand (dorsum of the hand, dorsum manus)



1-57 internal organs [front view]

- 1 thyroid gland
- 2, 3 larynx
- 2 hyoid bone (hyoid)
- 3 thyroid cartilage
- 4 trachea (windpipe)
- 5 bronchus
- 6, 7 lung
- 6 right lung
- 7 upper pulmonary lobe (upper lobe of the lung) [section]
- 8 heart
- 9 diaphragm
- 10 liver
- 11 gall bladder
- 12 spleen
- 13 stomach
- 14-22 **intestines** (bowel)
- 14-16 **small intestine** (intestinum tenue)
- 14 duodenum
- 15 jejunum
- 16 ileum
- 17-22 **large intestine** (intestinum crassum)
- 17 caecum (cecum)
- 18 appendix (vermiform appendix)
- 19 ascending colon
- 20 transverse colon
- 21 descending colon
- 22 rectum
- 23 oesophagus (esophagus, gullet)
- 24, 25 heart
- 24 auricle
- 25 anterior longitudinal cardiac sulcus
- 26 diaphragm
- 27 spleen
- 28 right kidney
- 29 suprarenal gland
- 30, 31 left kidney [longitudinal section]
- 30 calyx (renal calyx)
- 31 renal pelvis
- 32 ureter
- 33 bladder
- 34, 35 liver [from behind]
- 34 falciform ligament of the liver
- 35 lobe of the liver
- 36 gall bladder
- 37, 38 common bile duct
- 37 hepatic duct (common hepatic duct)
- 38 cystic duct
- 39 portal vein (hepatic portal vein)
- 40 oesophagus (esophagus, gullet)
- 41, 42 stomach
- 41 cardiac orifice
- 42 pylorus
- 43 duodenum

44 pancreas**45-57 heart [longitudinal section]**

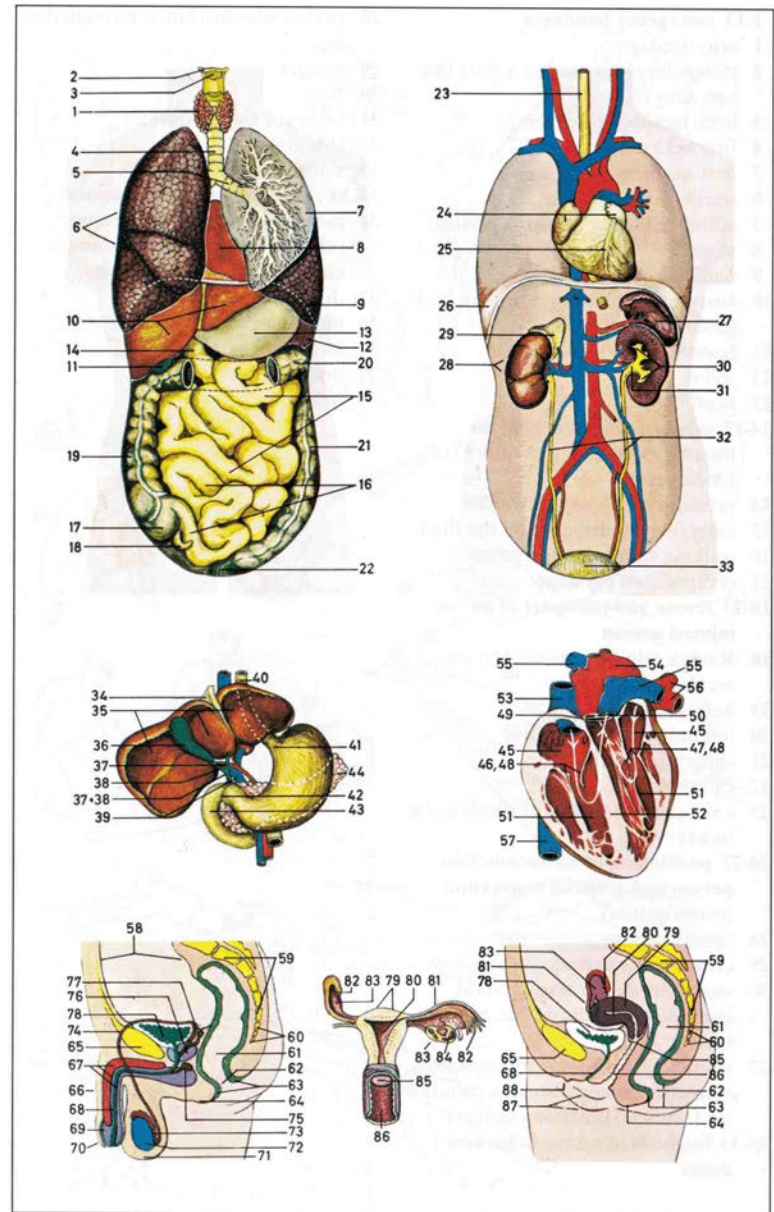
- 45 atrium
- 46, 47 valves of the heart
- 46 tricuspid valve (right atrioventricular valve)
- 47 bicuspid valve (mitral valve, left atrioventricular valve)
- 48 cusp
- 49 aortic valve
- 50 pulmonary valve
- 51 ventricle
- 52 ventricular septum (interventricular septum)
- 53 superior vena cava
- 54 aorta
- 55 pulmonary artery
- 56 pulmonary vein
- 57 inferior vena cava
- 58 peritoneum
- 59 sacrum
- 60 coccyx (coccygeal vertebra)
- 61 rectum
- 62 anus
- 63 anal sphincter
- 64 perineum
- 65 pubic symphysis (symphysis pubis)

66-77 male sex organs [longitudinal section]

- 66 penis
- 67 corpus cavernosum and spongiosum of the penis (erectile tissue of the penis)
- 68 urethra
- 69 glans penis
- 70 prepuce (foreskin)
- 71 scrotum
- 72 right testicle (testis)
- 73 epididymis
- 74 spermatic duct (vas deferens)
- 75 Cowper's gland (bulbourethral gland)
- 76 prostate (prostate gland)
- 77 seminal vesicle
- 78 bladder

79-88 female sex organs [longitudinal section]

- 79 uterus (matrix, womb)
- 80 cavity of the uterus
- 81 fallopian tube (uterine tube, oviduct)
- 82 fimbria (fimbriated extremity)
- 83 ovary
- 84 follicle with ovum (egg)
- 85 os uteri externum
- 86 vagina
- 87 lip of the pudendum (lip of the vulva)
- 88 clitoris



1-13 emergency bandages

- 1 arm bandage
- 2 triangular cloth used as a sling (an arm sling)
- 3 head bandage (capeline)
- 4 first aid kit
- 5 first aid dressing
- 6 sterile gauze dressing
- 7 adhesive plaster (sticking plaster)
- 8 wound
- 9 bandage
- 10 emergency splint for a broken limb (fractured limb)
- 11 fractured leg (broken leg)
- 12 splint
- 13 headrest

14-17 measures for stanching the

blood flow (tying up (ligature) of a blood vessel)

- 14 pressure points of the arteries
- 15 emergency tourniquet on the thigh
- 16 walking stick used as a screw
- 17 compression bandage

18-23 rescue and transport of an injured person

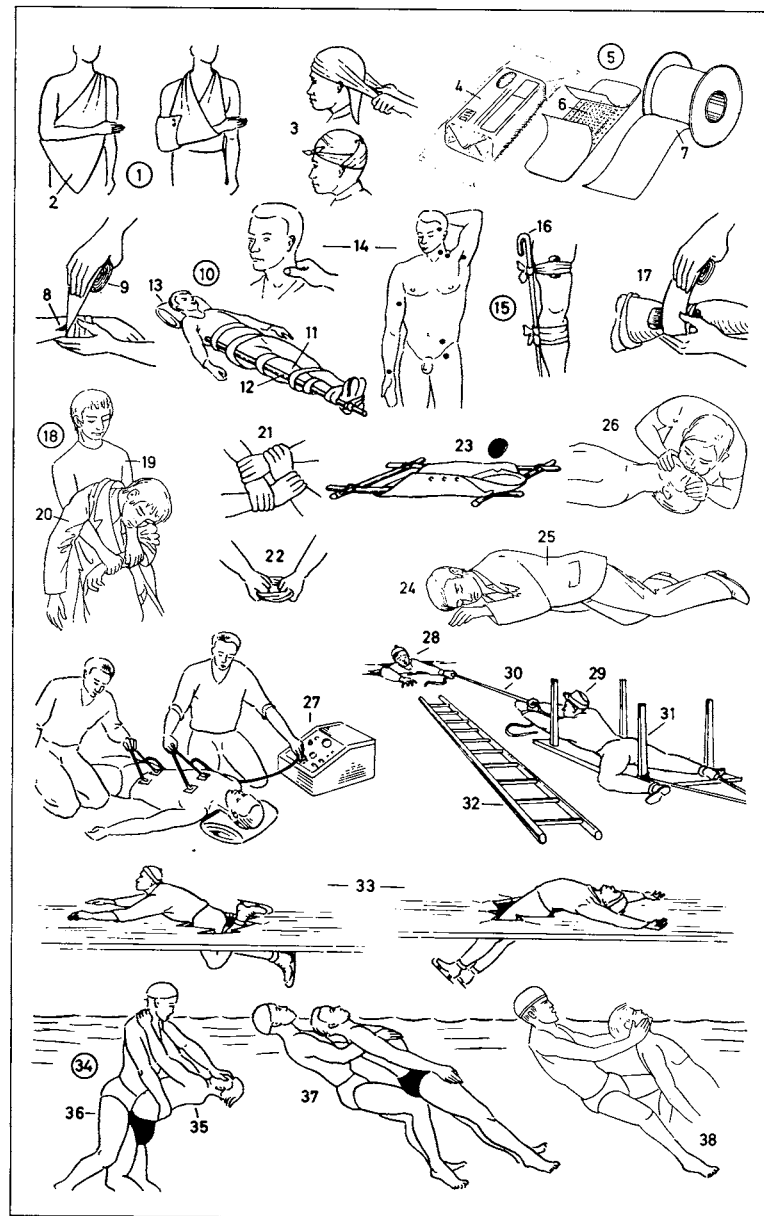
- 18 Rautek grip (for rescue of a car accident victim)
- 19 helper
- 20 injured person (casualty)
- 21 chair grip
- 22 carrying grip
- 23 emergency stretcher of sticks and a jacket

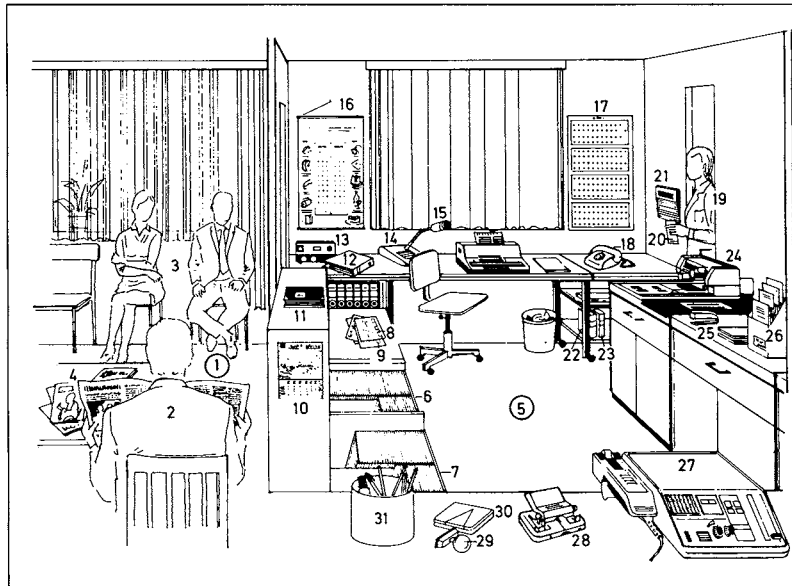
24-27 positioning of an unconscious person and artificial respiration (resuscitation)

- 24 coma position
- 25 unconscious person
- 26 mouth-to-mouth resuscitation (variation: mouth-to-nose resuscitation)
- 27 resuscitator (respiratory apparatus, resuscitation apparatus), a respirator (artificial breathing device)

28-33 methods of rescue in ice accidents

- 28 person who has fallen through the ice
- 29 rescuer
- 30 rope
- 31 table (or similar device)
- 32 ladder
- 33 self-rescue
- 34-38 rescue of a drowning person
- 34 method of release (release grip, release) to free rescuer from the clutch of a drowning person
- 35 drowning person
- 36 lifesaver
- 37, 38 towing (tows)
- 37 double shoulder tow
- 38 head tow

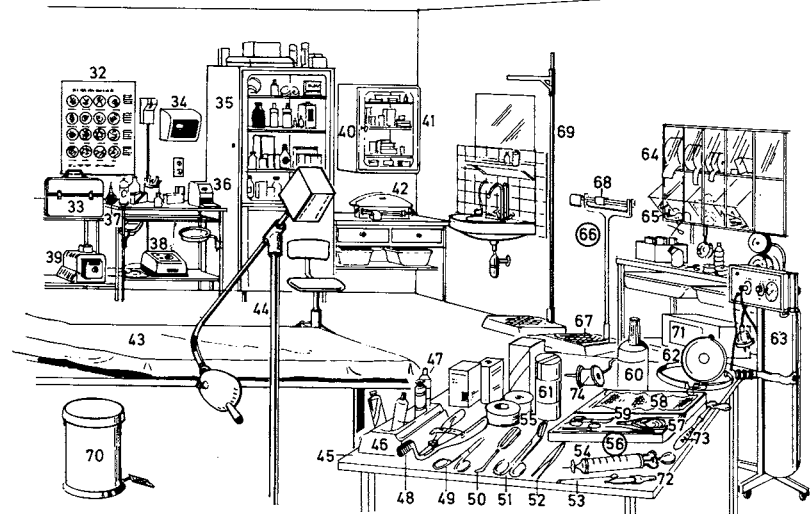




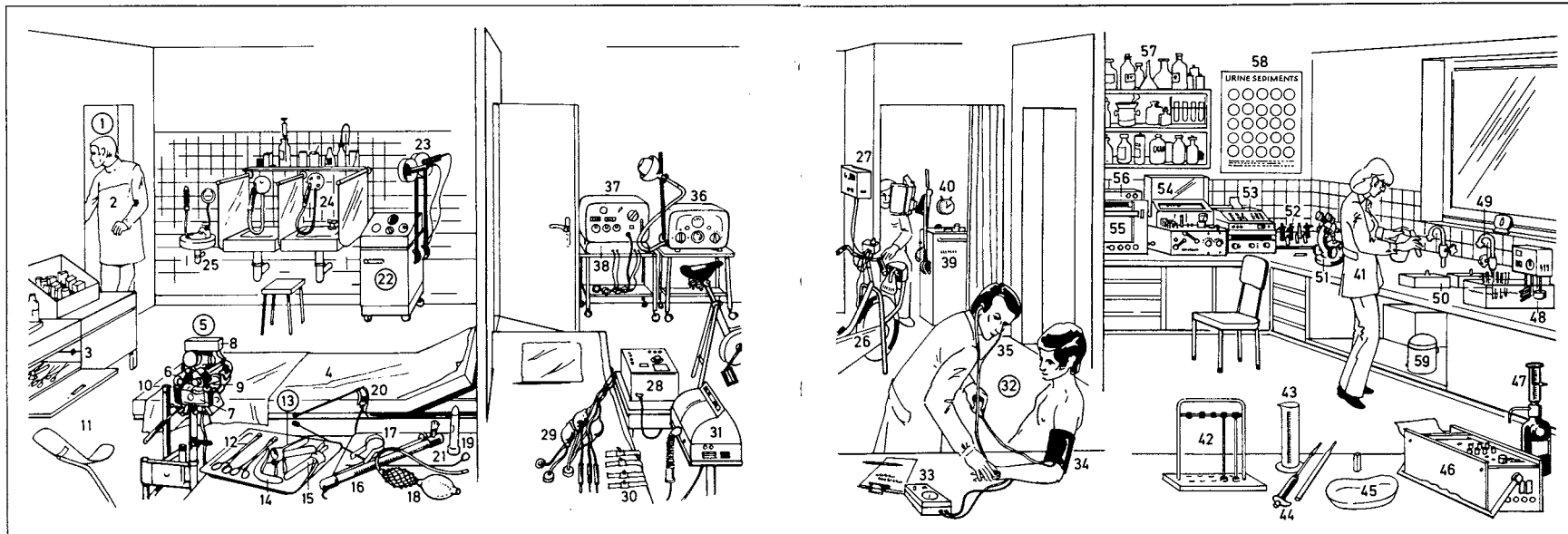
1-74 general practice (*Am. physician's office*)

- 1 waiting room
- 2 patient
- 3 patients with appointments (for a routine check-up or renewal of prescription)
- 4 magazines [for waiting patients]
- 5 reception
- 6 patients file
- 7 eliminated index cards
- 8 medical record (medical card)
- 9 health insurance certificate
- 10 advertising calendar (publicity calendar)
- 11 appointments book
- 12 correspondence file
- 13 automatic telephone answering and recording set (telephone answering device)
- 14 radiophone
- 15 microphone
- 16 illustrated chart

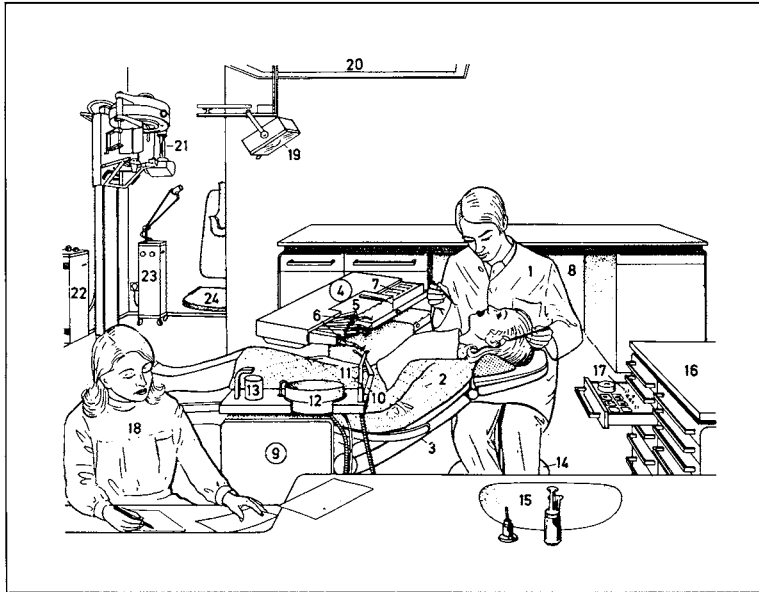
- 17 wall calendar
- 18 telephone
- 19 [doctor's] assistant
- 20 prescription
- 21 telephone index
- 22 medical dictionary
- 23 pharmacopoeia (list of registered medicines)
- 24 franking machine (*Am. postage meter*)
- 25 stapler
- 26 diabetics file
- 27 dictating machine
- 28 paper punch
- 29 doctor's stamp
- 30 ink pad
- 31 pencil holder
- 32-74 surgery**
- 32 chart of eyegrounds
- 33 doctor's bag (doctor's case)
- 34 intercom
- 35 medicine cupboard
- 36 swab dispenser



- 37 inflator (Poltizer bag)
- 38 electrotome
- 39 steam sterilizer
- 40 cabinet
- 41 medicine samples (from the pharmaceutical industry)
- 42 baby scales
- 43 examination couch
- 44 directional lamp
- 45 instrument table
- 46 tube holder
- 47 tube of ointment
- 48-50 instruments for minor surgery**
- 48 mouth gag
- 49 Kocher's forceps
- 50 scoop (curette)
- 51 angled scissors
- 52 forceps
- 53 olive-pointed (bulb-headed) probe
- 54 syringe for irrigations of the ear or bladder
- 55 adhesive plaster (sticking plaster)
- 56 surgical suture material
- 57 curved surgical needle
- 58 sterile gauze
- 59 needle holder
- 60 spray for disinfecting the skin
- 61 thread container
- 62 ophthalmoscope
- 63 freezer for cryosurgery
- 64 dispenser for plasters and small pieces of equipment
- 65 disposable hypodermic needles and syringes
- 66 scales, sliding-weight scales
- 67 weighing platform
- 68 sliding weight (jockey)
- 69 height gauge (*Am. gage*)
- 70 waste bin (*Am. trash bin*)
- 71 hot-air sterilizer
- 72 pipette
- 73 percussor
- 74 aural speculum (auriscope, aural syringe)

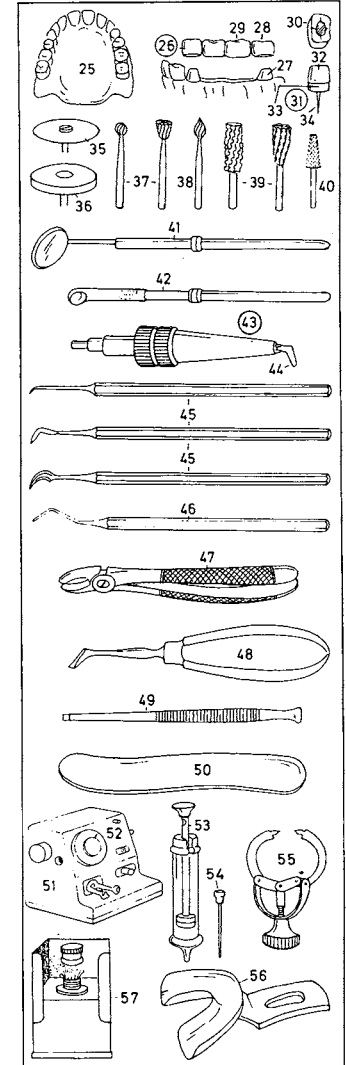


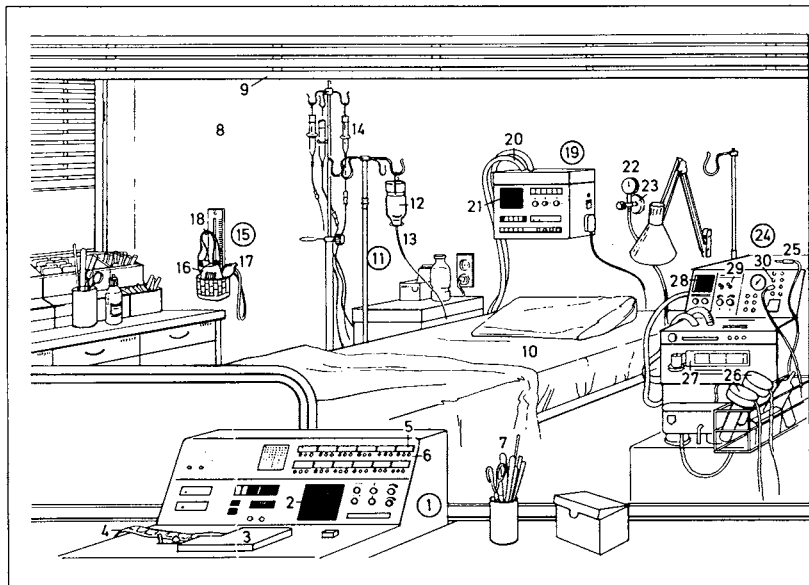
- | | | | |
|---|--|--|--|
| 1 consulting room | 19 proctoscope (rectal speculum) | 37 faradization unit (for applying low-frequency currents with different pulse shapes) | 51 binocular research microscope |
| 2 general practitioner | 20 urethroscope | 38 automatic tuner | 52 pipette stand for photometry |
| 3-21 instruments for gynaecological and proctological examinations | 21 guide for inserting the proctoscope | 39 short-wave therapy apparatus | 53 computer and analyser for photometry |
| 3 warming the instruments up to body temperature | 22 diathermy unit (short-wave therapy apparatus) | 40 timer | 54 photometer |
| 4 examination couch | 23 radiator | 41-59 laboratory | 55 potentiometric recorder |
| 5 colposcope | 24 inhaling apparatus (inhalator) | 41 medical laboratory technician | 56 transforming section |
| 6 binocular eyepiece | 25 basin [for sputum] | 42 capillary tube stand for blood sedimentation | 57 laboratory apparatus (laboratory equipment) |
| 7 miniature camera | 26-31 ergometry | 43 measuring cylinder | 58 urine sediment chart |
| 8 cold light source | 26 bicycle ergometer | 44 automatic pipette | 59 centrifuge |
| 9 cable release | 27 monitor (for visual display of the ECG and of pulse and respiratory rates when performing work) | 45 kidney dish | |
| 10 bracket for the leg support | 28 ECG (electrocardiograph) | 46 portable ECG machine for emergency use | |
| 11 leg support (leg holder) | 29 suction electrodes | 47 automatic pipetting device | |
| 12 holding forceps (sponge holder) | 30 strap-on electrodes for the limbs | 48 constant temperature water bath | |
| 13 vaginal speculum | 31 spirometer (for measuring respiratory functions) | 49 tap with water jet pump | |
| 14 lower blade of the vaginal speculum | 32 measuring blood pressure | 50 staining dish (for staining blood smears, sediments, and other smears) | |
| 15 platinum loop (for smears) | 33 sphygmomanometer | | |
| 16 rectoscope | 34 inflatable cuff | | |
| 17 biopsy forceps used with the rectoscope (proctoscope) | 35 stethoscope | | |
| 18 insufflator for proctoscopy (rectoscopy) | 36 microwave treatment unit | | |



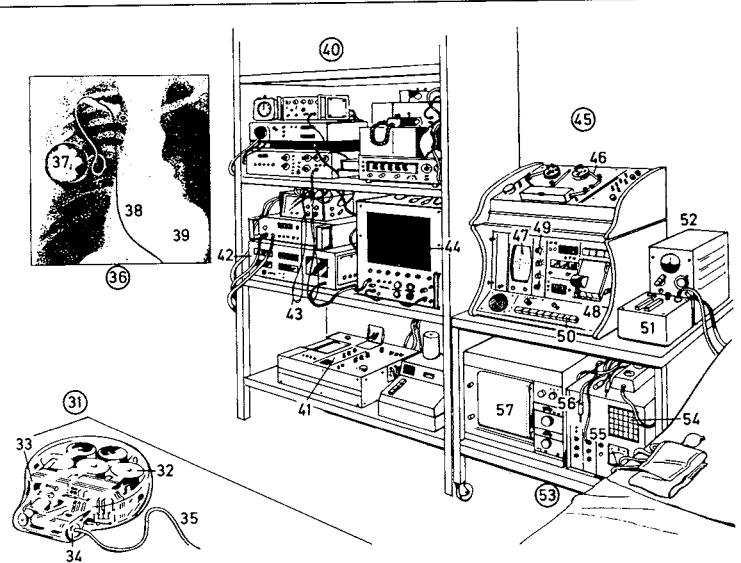
- | | |
|---|---|
| 1 dentist (dental surgeon) | 21 X-ray apparatus for panoramic pictures |
| 2 patient | 22 X-ray generator |
| 3 dentist's chair | 23 microwave treatment unit, a radiation unit |
| 4 dental instruments | 24 seat |
| 5 instrument tray | 25 denture (set of false teeth) |
| 6 drills with different handpieces | 26 bridge (dental bridge) |
| 7 medicine case | 27 prepared stump of the tooth |
| 8 storage unit (for dental instruments) | 28 crown (<i>kinds</i> : gold crown, jacket crown) |
| 9 assistant's unit | 29 porcelain tooth (porcelain pontic) |
| 10 multi-purpose syringe (for cold and warm water, spray, or air) | 30 filling |
| 11 suction apparatus | 31 post crown |
| 12 basin | 32 facing |
| 13 water glass, filled automatically | 33 diaphragm |
| 14 stool | 34 post |
| 15 washbasin | 35 carborundum disc (disk) |
| 16 instrument cabinet | 36 grinding wheel |
| 17 drawer for drills | 37 burs |
| 18 dentist's assistant | 38 flame-shaped finishing bur |
| 19 dentist's lamp | 39 fissure burs |
| 20 ceiling light | |

- | |
|--|
| 40 diamond point |
| 41 mouth mirror |
| 42 mouth lamp |
| 43 cautery |
| 44 platinum-iridium electrode |
| 45 tooth scalers |
| 46 probe |
| 47 extraction forceps |
| 48 tooth-root elevator |
| 49 bone chisel |
| 50 spatula |
| 51 mixer for filling material |
| 52 synchronous timer |
| 53 hypodermic syringe for injection of local anaesthetic |
| 54 hypodermic needle |
| 55 matrix holder |
| 56 impression tray |
| 57 spirit lamp |

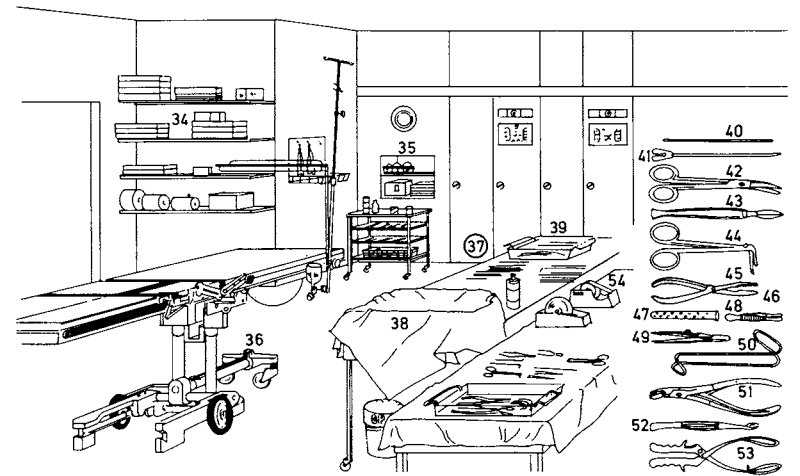
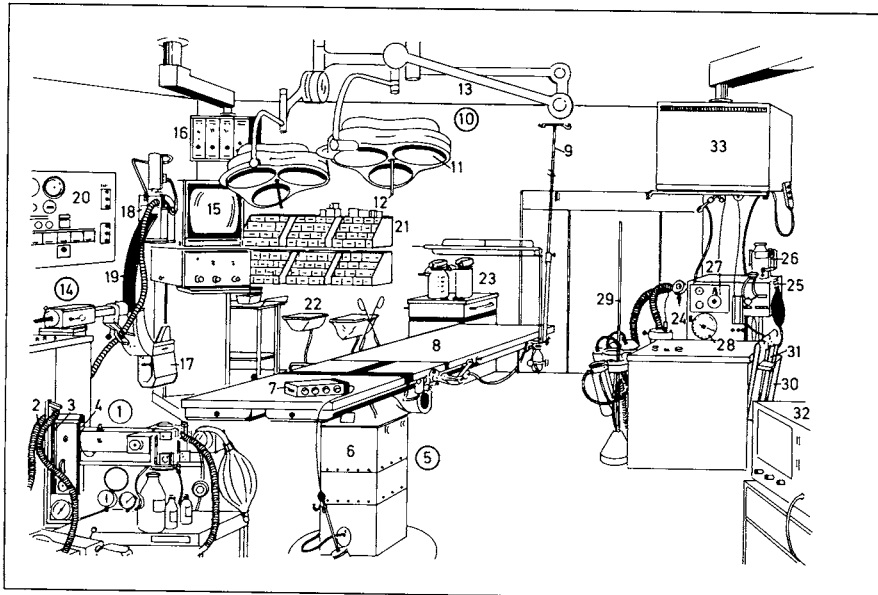


**1-30 intensive care unit****1-9 control room**

- 1 central control unit for monitoring heart rhythm (cardiac rhythm) and blood pressure
- 2 electrocardiogram monitor (ECG monitor)
- 3 recorder
- 4 recording paper
- 5 patient's card
- 6 indicator lights (with call buttons for each patient)
- 7 spatula
- 8 window (observation window, glass partition)
- 9 blind
- 10 bed (hospital bed)
- 11 stand for infusion apparatus
- 12 infusion bottle
- 13 tube for intravenous drips
- 14 infusion device for water-soluble medicaments
- 15 sphygmomanometer
- 16 cuff
- 17 inflating bulb
- 18 mercury manometer
- 19 bed monitor
- 20 connecting lead to the central control unit
- 21 electrocardiogram monitor (ECG monitor)
- 22 manometer for the oxygen supply
- 23 wall connection for oxygen treatment
- 24 mobile monitoring unit
- 25 electrode lead to the short-term pacemaker
- 26 electrodes for shock treatment
- 27 ECG recording unit
- 28 electrocardiogram monitor (ECG monitor)
- 29 control switches and knobs (controls) for adjusting the monitor
- 30 control buttons for the pacemaker unit
- 31 **pacemaker** (cardiac pacemaker)



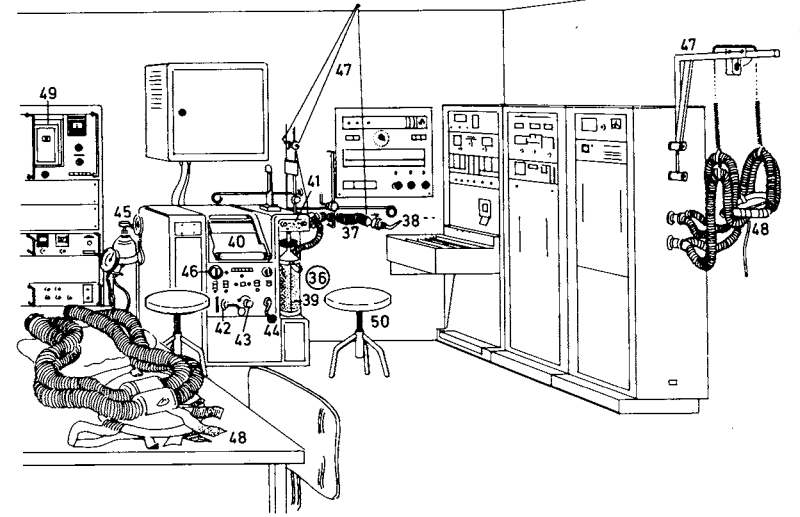
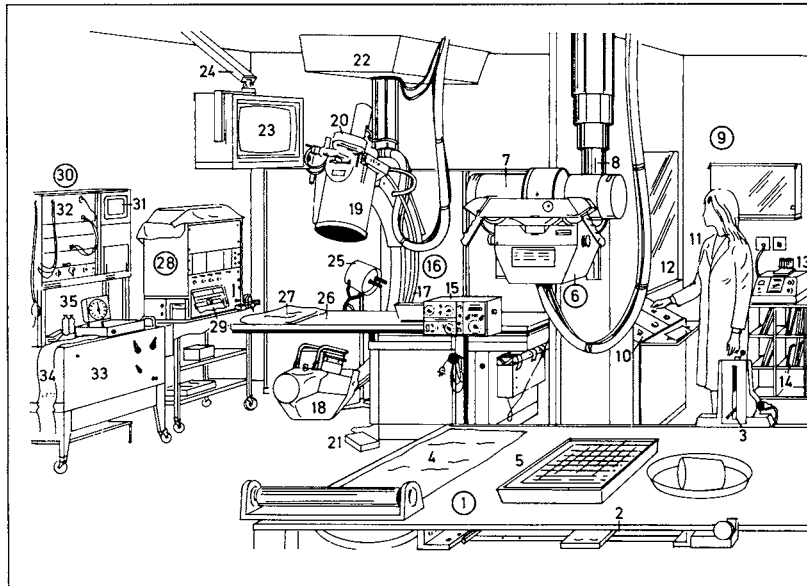
- 32 mercury battery
- 33 programmed impulse generator
- 34 electrode exit point
- 35 electrode
- 36 implantation of the pacemaker
- 37 internal cardiac pacemaker (internal pacemaker, pacemaker)
- 38 electrode inserted through the vein
- 39 cardiac silhouette on the X-ray
- 40 **pacemaker control unit**
- 41 electrocardiograph (ECG recorder)
- 42 automatic impulse meter
- 43 ECG lead to the patient
- 44 monitor unit for visual monitoring of the pacemaker impulses
- 45 long-term ECG analyser
- 46 magnetic tape for recording the ECG impulses during analysis
- 47 ECG monitor
- 48 automatic analysis on paper of the ECG rhythm
- 49 control knob for the ECG amplitude
- 50 program selector switches for the ECG analysis
- 51 charger for the pacemaker batteries
- 52 battery tester
- 53 pressure gauge (*Am. gage*) for the right cardiac catheter
- 54 trace monitor
- 55 pressure indicator
- 56 connecting lead to the paper recorder
- 57 paper recorder for pressure traces

**1-54 surgical unit****1-33 operating theatre** (*Am. theater*)

- | | |
|--|--|
| <p>1 anaesthesia and breathing apparatus (respiratory machine)</p> <p>2 inhalers (inhaling tubes)</p> <p>3 flowmeter for nitrous oxide</p> <p>4 oxygen flow meter</p> <p>5 pedestal operating table</p> <p>6 table pedestal</p> <p>7 control device (control unit)</p> <p>8 adjustable top of the operating table</p> <p>9 stand for intravenous drips</p> <p>10 swivel-mounted shadow-free operating lamp</p> <p>11 individual lamp</p> <p>12 handle</p> <p>13 swivel arm</p> <p>14 mobile fluoroscope</p> <p>15 monitor of the image converter</p> <p>16 monitor [back]</p> <p>17 tube</p> | <p>18 image converter</p> <p>19 C-shaped frame</p> <p>20 control panel for the air-conditioning</p> <p>21 surgical suture material</p> <p>22 mobile waste tray</p> <p>23 containers for unsterile (unsterilized) pads</p> <p>24 anaesthesia and respiratory apparatus</p> <p>25 respirator</p> <p>26 fluothane container (halothane container)</p> <p>27 ventilation control knob</p> <p>28 indicator with pointer for respiratory volume</p> <p>29 stand with inhalers (inhaling tubes) and pressure gauges (<i>Am. gages</i>)</p> <p>30 catheter holder</p> <p>31 catheter in sterile packing</p> <p>32 sphygmograph</p> <p>33 monitor</p> |
|--|--|

34-54 preparation and sterilization room

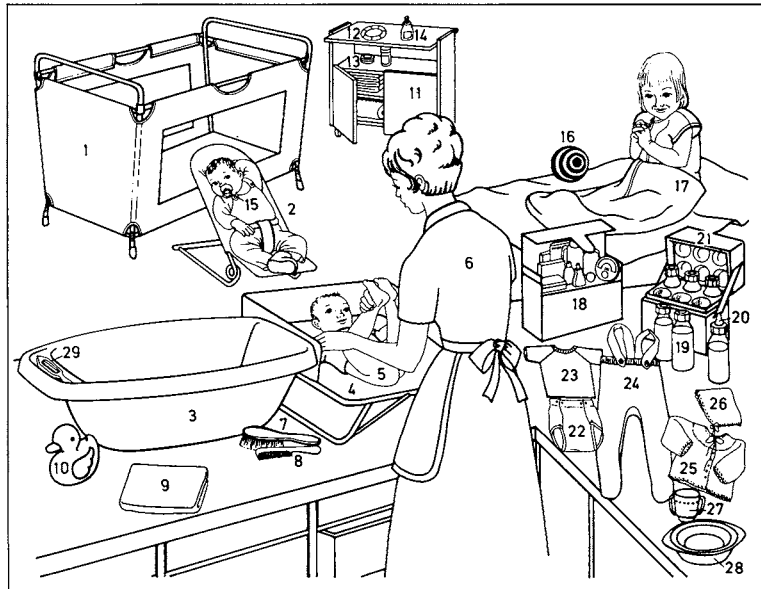
- | | |
|---|--|
| <p>34 dressing material</p> <p>35 small sterilizer</p> <p>36 carriage of the operating table</p> <p>37 mobile instrument table</p> <p>38 sterile cloth</p> <p>39 instrument tray</p> <p>40-53 surgical instruments</p> <p>40 olive-pointed (bulb-headed) probe</p> <p>41 hollow probe</p> <p>42 curved scissors</p> <p>43 scalpel (surgical knife)</p> <p>44 ligature-holding forceps</p> <p>45 sequesterum forceps</p> <p>46 jaw</p> <p>47 drainage tube</p> <p>48 surgeon's tourniquet</p> <p>49 artery forceps</p> <p>50 blunt hook</p> <p>51 bone nippers (bone-cutting forceps)</p> | <p>52 scoop (curette) for erosion (curetage)</p> <p>53 obstetrical forceps</p> <p>54 roll of plaster</p> |
|---|--|

**1-35 X-ray unit**

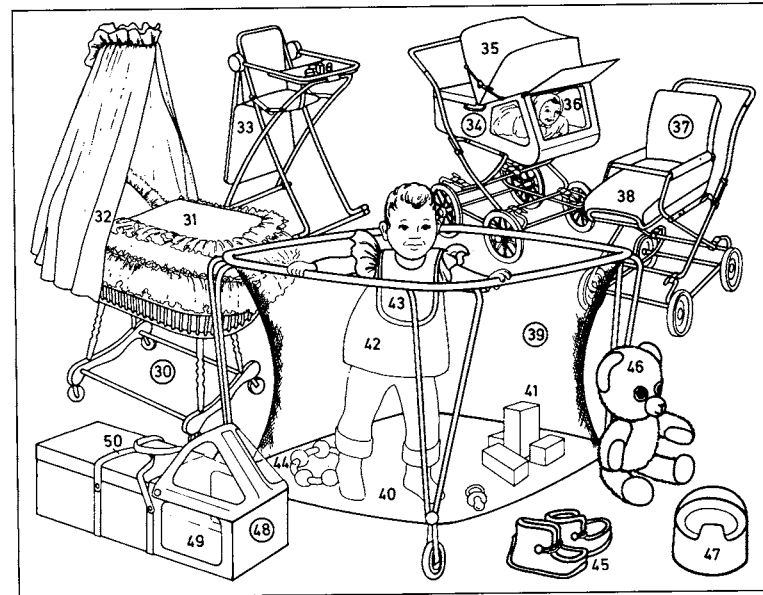
- 1 X-ray examination table
- 2 support for X-ray cassettes
- 3 height adjustment of the central beam for lateral views
- 4 compress for pyelography and cholecystography
- 5 instrument basin
- 6 X-ray apparatus for pyelograms
- 7 X-ray tube
- 8 telescopic X-ray support
- 9 central X-ray control unit
- 10 control panel (control desk)
- 11 radiographer (X-ray technician)
- 12 window to the angiography room
- 13 oxymeter
- 14 pyelogram cassettes
- 15 contrast medium injector
- 16 X-ray image intensifier
- 17 C-shaped frame
- 18 X-ray head with X-ray tube
- 19 image converter with converter tube

- 20 film camera
- 21 foot switch
- 22 mobile mounting
- 23 monitor
- 24 swivel-mounted monitor support
- 25 operating lamp
- 26 angiographic examination table
- 27 pillow
- 28 eight-channel recorder
- 29 recording paper
- 30 catheter gauge (*Am. gage*) unit for catheterization of the heart
- 31 six-channel monitor for pressure graphs and ECG
- 32 slide-in units of the pressure transducer
- 33 paper recorder unit with developer for photographic recording
- 34 recording paper
- 35 timer
- 36-50 spirometry**
- 36 spirograph for pulmonary function tests

- 37 breathing tube
- 38 mouthpiece
- 39 soda-lime absorber
- 40 recording paper
- 41 control knobs for gas supply
- 42 O₂ stabilizer
- 43 throttle valve
- 44 absorber attachment
- 45 oxygen cylinder
- 46 water supply
- 47 tube support
- 48 mask
- 49 CO₂ consumption meter
- 50 stool for the patient



- | | |
|------------------------|---|
| 1 collapsible cot | 22 rubber baby pants for disposable nappies (<i>Am.</i> diapers) |
| 2 bouncing cradle | 23 vest |
| 3 baby bath | 24 leggings |
| 4 changing top | 25 baby's jacket |
| 5 baby (new-born baby) | 26 hood |
| 6 mother | 27 baby's cup |
| 7 hairbrush | 28 baby's plate, a stay-warm plate |
| 8 comb | 29 thermometer |
| 9 hand towel | |
| 10 toy duck | |
| 11 changing unit | |
| 12 teething ring | |
| 13 cream jar | |
| 14 box of baby powder | |
| 15 dummy | |
| 16 ball | |
| 17 sleeping bag | |
| 18 layette box | |
| 19 feeding bottle | |
| 20 teat | |
| 21 bottle warmer | |



- | |
|--|
| 30 bassinet, a wicker pram |
| 31 set of bassinet covers |
| 32 canopy |
| 33 baby's high chair, a folding chair |
| 34 pram (baby-carriage) [with windows] |
| 35 folding hood |
| 36 window |
| 37 pushchair (<i>Am.</i> stroller) |
| 38 foot-muff (<i>Am.</i> foot-bag) |
| 39 play pen |
| 40 floor of the play pen |
| 41 building blocks (building bricks) |
| 42 small child |
| 43 bib |
| 44 rattle (baby's rattle) |
| 45 bootees |
| 46 teddy bear |
| 47 potty (baby's pot) |
| 48 carrycot |
| 49 window |
| 50 handles |

1-12 baby clothes

- 1 pram suit
- 2 hood
- 3 pram jacket (matinée coat)
- 4 pompon (bobble)
- 5 bootees
- 6 sleeveless vest
- 7 envelope-neck vest
- 8 wrapover vest
- 9 baby's jacket
- 10 rubber baby pants
- 11 playsuit
- 12 two-piece suit

13-30 infants' wear

- 13 child's sundress, a pinafore dress
- 14 frilled shoulder strap
- 15 Shirred top
- 16 sun hat
- 17 one-piece jersey suit
- 18 front zip (*Am.* zipper)
- 19 catsuit (playsuit)
- 20 motif (appliqué)
- 21 romper
- 22 playsuit (romper suit)
- 23 overall (sleeper and strampler)
- 24 dressing gown (bath robe)
- 25 children's shorts
- 26 braces (*Am.* suspenders)
- 27 children's T-shirt
- 28 jersey dress (knitted dress)
- 29 embroidery
- 30 children's ankle socks

31-47 school children's wear

- 31 raincoat
- 32 leather shorts (lederhosen)
- 33 staghorn button
- 34 braces (*Am.* suspenders)
- 35 flap
- 36 girl's dirndl
- 37 cross lacing
- 38 snow suit (quilted suit)
- 39 quilt stitching (quilting)
- 40 dungarees (bib and brace)
- 41 bib skirt (bib top pinafore)
- 42 tights
- 43 sweater (jumper)

- 44 pile jacket
- 45 leggings
- 46 girl's skirt
- 47 child's jumper
- 48-68 teenagers' clothes
- 48 girl's overblouse (overtop)
- 49 slacks
- 50 girl's skirt suit
- 51 jacket
- 52 skirt
- 53 knee-length socks
- 54 girl's coat
- 55 tie belt
- 56 girl's bag
- 57 woollen (*Am.* woolen) hat
- 58 girl's blouse
- 59 culottes
- 60 boy's trousers
- 61 boy's shirt
- 62 anorak
- 63 inset pockets
- 64 hood drawstring (drawstring)
- 65 knitted welt
- 66 parka coat (parka)
- 67 drawstring (draw cord)
- 68 patch pockets

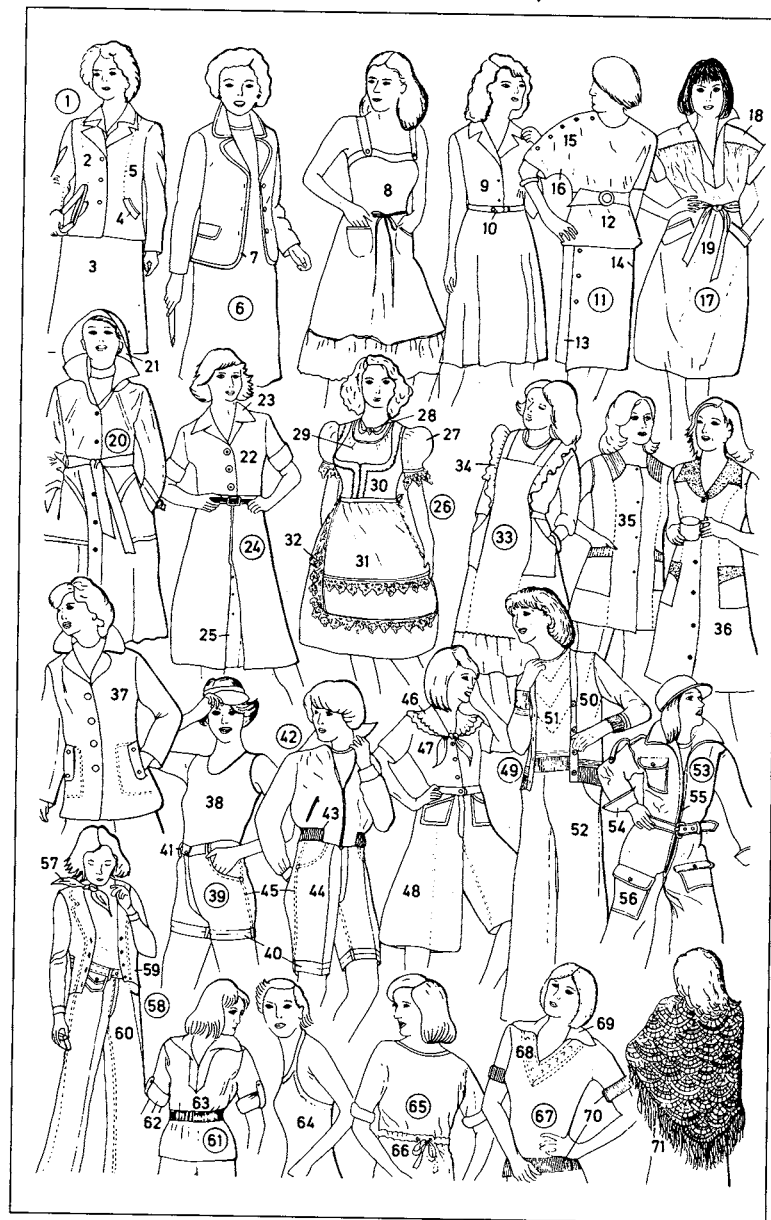


- 1 mink jacket
- 2 cowl neck jumper
- 3 cowl collar
- 4 knitted overtop
- 5 turndown collar
- 6 turn-up (turnover) sleeve
- 7 polo neck jumper
- 8 pinafore dress
- 9 blouse (with revers collar)
- 10 shirt-waister dress, a button-through dress
- 11 belt
- 12 winter dress
- 13 piping
- 14 cuff
- 15 long sleeve
- 16 quilted waistcoat
- 17 quilt stitching (quilting)
- 18 leather trimming
- 19 winter slacks
- 20 striped polo jumper
- 21 boiler suit (dungarees, bib and brace)
- 22 patch pocket
- 23 front pocket
- 24 bib
- 25 wrapover dress (wrap-around dress)
- 26 shirt
- 27 peasant-style dress
- 28 floral braid
- 29 tunic (tunic top)
- 30 ribbed cuff
- 31 quilted design
- 32 pleated skirt
- 33 two-piece knitted dress
- 34 boat neck, a neckline
- 35 turn-up
- 36 kimono sleeve
- 37 knitted design
- 38 lumber-jacket
- 39 cable pattern
- 40 shirt-blouse
- 41 loop fastening
- 42 embroidery
- 43 stand-up collar
- 44 cossack trousers

- 45 two-piece combination (shirt top and long skirt)
- 46 tie (bow)
- 47 decorative facing
- 48 cuff slit
- 49 side slit
- 50 tabard
- 51 inverted pleat skirt
- 52 godet
- 53 evening gown
- 54 pleated bell sleeve
- 55 party blouse
- 56 party skirt
- 57 trouser suit (slack suit)
- 58 suede jacket
- 59 fur trimming
- 60 fur coat (*kinds: Persian lamb, broadtail, mink, sable*)
- 61 winter coat (cloth coat)
- 62 fur cuff (fur-trimmed cuff)
- 63 fur collar (fur-trimmed collar)
- 64 loden coat
- 65 cape
- 66 toggle fastenings
- 67 loden skirt
- 68 poncho-style coat
- 69 hood



- | | |
|--------------------------------------|--------------------------------|
| 1 skirt suit | 48 culotte |
| 2 jacket | 49 twin set |
| 3 skirt | 50 cardigan |
| 4 inset pocket | 51 sweater |
| 5 decorative stitching | 52 summer (lightweight) slacks |
| 6 dress and jacket combination | 53 jumpsuit |
| 7 piping | 54 turn-up |
| 8 pinafore dress | 55 zip (<i>Am.</i> zipper) |
| 9 summer dress | 56 patch pocket |
| 10 belt | 57 scarf (neckerchief) |
| 11 two-piece dress | 58 denim suit |
| 12 belt buckle | 59 denim waistcoat |
| 13 wrapover (wrap-around) skirt | 60 jeans (denims) |
| 14 pencil silhouette | 61 overblouse |
| 15 shoulder buttons | 62 turned-up sleeve |
| 16 batwing sleeve | 63 stretch belt |
| 17 overdress | 64 halter top |
| 18 kimono yoke | 65 knitted otopop |
| 19 tie belt | 66 drawstring waist |
| 20 summer coat | 67 short-sleeved jumper |
| 21 detachable hood | 68 V-neck (vee-neck) |
| 22 summer blouse | 69 turndown collar |
| 23 lapel | 70 knitted welt |
| 24 skirt | 71 shawl |
| 25 front pleat | |
| 26 dirndl (dirndl dress) | |
| 27 puffed sleeve | |
| 28 dirndl necklace | |
| 29 dirndl blouse | |
| 30 bodice | |
| 31 dirndl apron | |
| 32 lace trimming (lace), cotton lace | |
| 33 frilled apron | |
| 34 frill | |
| 35 smock overall | |
| 36 house frock (house dress) | |
| 37 poplin jacket | |
| 38 T-shirt | |
| 39 ladies' shorts | |
| 40 trouser turn-up | |
| 41 waistband | |
| 42 bomber jacket | |
| 43 stretch welt | |
| 44 Bermuda shorts | |
| 45 saddle stitching | |
| 46 frill collar | |
| 47 knot | |



- 1-15 ladies' underwear (ladies' underclothes, lingerie)
- 1 brassière (bra)
- 2 pantie-girdle
- 3 pantie-corselette
- 4 longline brassière (longline bra)
- 5 stretch girdle
- 6 suspender
- 7 vest
- 8 pantie briefs
- 9 ladies' knee-high stocking
- 10 long-legged (long leg) panties
- 11 long pants
- 12 tights (pantie-hose)
- 13 slip
- 14 waist slip
- 15 bikini briefs
- 16-21 ladies' nightwear
- 16 nightdress (nightgown, nightie)
- 17 pyjamas (*Am.* pajamas)
- 18 pyjama top
- 19 pyjama trousers
- 20 housecoat
- 21 vest and shorts set [for leisure wear and as nightwear]
- 22-29 men's underwear (men's underclothes)
- 22 string vest
- 23 string briefs
- 24 front panel
- 25 sleeveless vest
- 26 briefs
- 27 trunks
- 28 short-sleeved vest
- 29 long johns
- 30 braces (*Am.* suspenders)
- 31 braces clip
- 32-34 men's socks
- 32 knee-length sock
- 33 elasticated top
- 34 long sock
- 35-37 men's nightwear
- 35 dressing gown
- 36 pyjamas (*Am.* pajamas)
- 37 nightshirt
- 38-47 men's shirts
- 38 casual shirt

- 39 belt
- 40 cravat
- 41 tie
- 42 knot
- 43 dress shirt
- 44 frill (frill front)
- 45 cuff
- 46 cuff link
- 47 bow-tie



1-67 men's fashion

- 1 single-breasted suit, a men's suit
- 2 jacket
- 3 suit trousers
- 4 waistcoat (vest)
- 5 lapel
- 6 trouser leg with crease
- 7 dinner dress, an evening suit
- 8 silk lapel
- 9 breast pocket
- 10 dress handkerchief
- 11 bow-tie
- 12 side pocket
- 13 tailcoat (tails), evening dress
- 14 coat-tail
- 15 white waistcoat (vest)
- 16 white bow-tie
- 17 casual suit
- 18 pocket flap
- 19 front yoke
- 20 denim suit
- 21 denim jacket
- 22 jeans (denims)
- 23 waistband
- 24 beach suit
- 25 shorts
- 26 short-sleeved jacket
- 27 tracksuit
- 28 tracksuit top with zip
- 29 tracksuit bottoms
- 30 cardigan
- 31 knitted collar
- 32 men's short-sleeved pullover
(men's short-sleeved sweater)
- 33 short-sleeved shirt
- 34 shirt button
- 35 turn-up
- 36 knitted shirt
- 37 casual shirt
- 38 patch pocket
- 39 casual jacket
- 40 knee-breeches
- 41 knee strap
- 42 knee-length sock
- 43 leather jacket
- 44 bib and brace overalls

- 45 adjustable braces (*Am. sus-penders*)
- 46 front pocket
- 47 trouser pocket
- 48 fly
- 49 rule pocket
- 50 check shirt
- 51 men's pullover
- 52 heavy pullover
- 53 knitted waistcoat (vest)
- 54 blazer
- 55 jacket button
- 56 overall
- 57 trenchcoat
- 58 coat collar
- 59 coat belt
- 60 poplin coat
- 61 coat pocket
- 62 fly front
- 63 car coat
- 64 coat button
- 65 scarf
- 66 cloth coat
- 67 glove



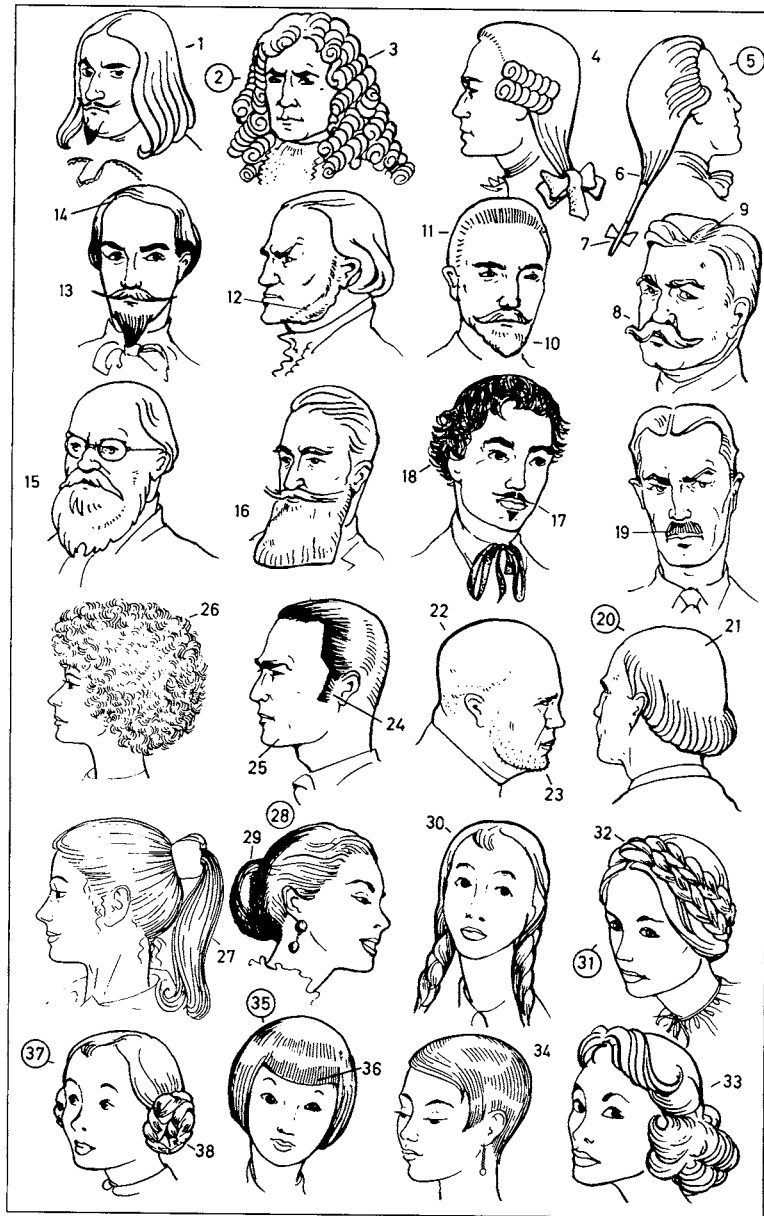
1-25 men's beards and hairstyles

- 33 curled hair
- 34 shingle (shingled hair, bobbed hair)
- 35 pageboy style
- 36 fringe (Am. bangs)
- 37 earphones
- 38 earphone (coiled plait)

- (haircuts)
- 1 long hair worn loose
- 2 allonge perwig (full-bottomed wig), a wig; shorter and smoother: bob wig, toupet
- 3 curls
- 4 bag wig (purse wig)
- 5 pigtail
- 6 queue (pigtail)
- 7 bow (ribbon)
- 8 handlebars (handlebar moustache, Am. mustache)
- 9 centre (Am. center) parting
- 10 goatee (goatee beard), chintuft
- 11 closely-cropped head of hair (crew cut)
- 12 whiskers
- 13 Vandyke beard (stiletto beard, bodkin beard), with waxed moustache (Am. mustache)
- 14 side parting
- 15 full beard (circular beard, round beard)
- 16 tile beard
- 17 shadow
- 18 head of curly hair
- 19 military moustache (Am. moustache) (English-style moustache)
- 20 partly bald head
- 21 bald patch
- 22 bald head
- 23 stubble beard (stubble, short beard bristles)
- 24 side-whiskers (sideboards, sideburns)
- 25 clean shave
- 26 Afro look (for men and women)

27-38 ladies' hairstyles (coiffures, women's and girls' hairstyles)

- 27 ponytail
- 28 swept-back hair (swept-up hair, pinned-up hair)
- 29 bun (chignon)
- 30 plaits (bunches)
- 31 chaplet hairstyle (Gretchen style)
- 32 chaplet (coiled plaits)

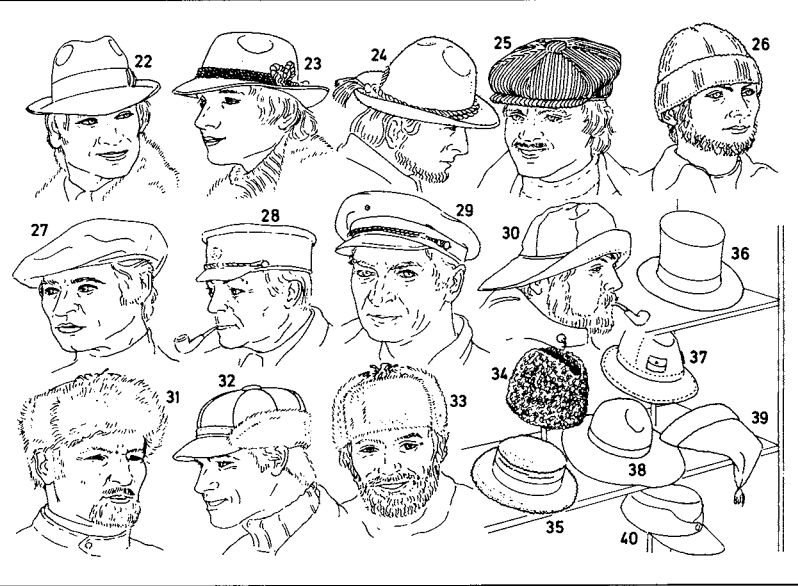


**1-21 ladies' hats and caps**

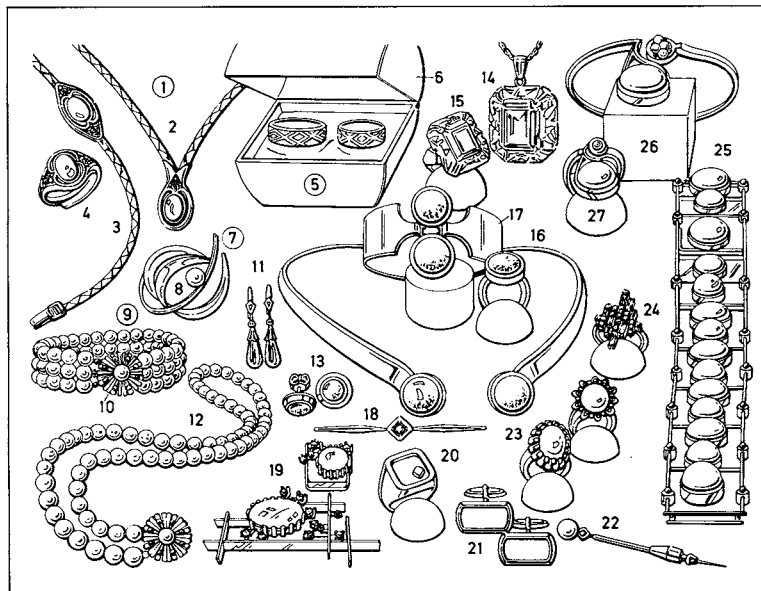
- 1 milliner making a hat
- 2 hood
- 3 block
- 4 decorative pieces
- 5 sombrero
- 6 mohair hat with feathers
- 7 model hat with fancy appliqué
- 8 linen cap (jockey cap)
- 9 hat made of thick candlewick yarn
- 10 woollen (*Am.* woolen) hat (knitted hat)
- 11 mohair hat
- 12 cloche with feathers
- 13 large men's hat made of sisal with corded ribbon
- 14 trilby-style hat with fancy ribbon
- 15 soft felt hat
- 16 Panama hat with scarf
- 17 peaked mink cap
- 18 mink hat
- 19 fox hat with leather top

20 mink cap

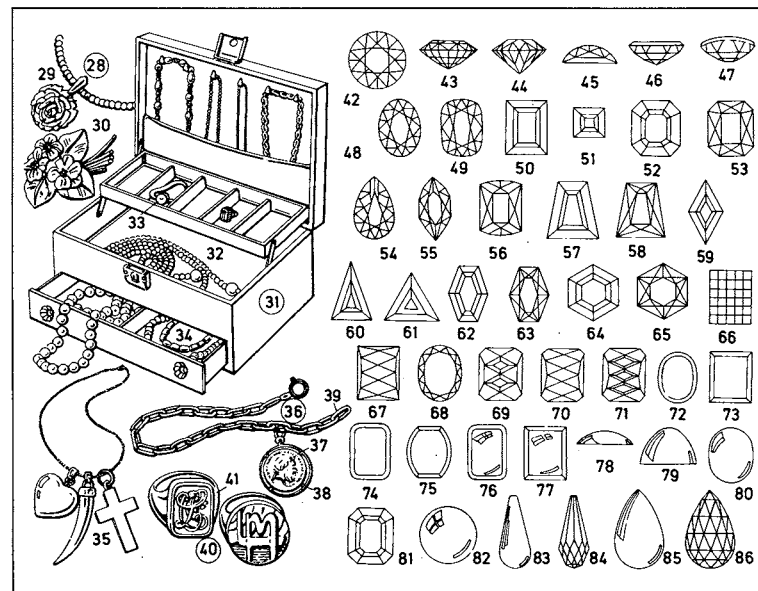
- 21 slouch hat trimmed with flowers

**22-40 men's hats and caps**

- 22 trilby hat (trilby)
- 23 loden hat (Alpine hat)
- 24 felt hat with tassels (Tyrolean hat, Tyrolese hat)
- 25 corduroy cap
- 26 woollen (*Am.* woolen) hat
- 27 beret
- 28 German sailor's cap ('Prinz Heinrich' cap)
- 29 peaked cap (yachting cap)
- 30 sou'wester (southwester)
- 31 fox cap with earflaps
- 32 leather cap with fur flaps
- 33 musquash cap
- 34 astrakhan cap, a real or imitation astrakhan cap
- 35 boater
- 36 (grey, *Am.* gray, or black) top hat made of silk taffeta; *collapsible*: crush hat (opera hat, claque)
- 37 sun hat (lightweight hat) made of cloth with small patch pocket
- 38 wide-brimmed hat
- 39 toboggan cap (skiing cap, ski cap)
- 40 workman's cap



- | | |
|-------------------------------------|------------------------------|
| 1 set of jewellery (Am. jewelry) | 24 modern-style diamond ring |
| 2 necklace | 25 gemstone bracelet |
| 3 bracelet | 26 asymmetrical bangle |
| 4 ring | 27 asymmetrical ring |
| 5 wedding rings | 28 ivory necklace |
| 6 wedding ring box | 29 ivory rose |
| 7 brooch, a pearl brooch | 30 ivory brooch |
| 8 pearl | 31 jewel box (jewel case) |
| 9 cultured pearl bracelet | 32 pearl necklace |
| 10 clasp, a white gold clasp | 33 bracelet watch |
| 11 pendant earrings (drop earrings) | 34 coral necklace |
| 12 cultured pearl necklace | 35 charms |
| 13 earrings | 36 coin bracelet |
| 14 gemstone pendant | 37 gold coin |
| 15 gemstone ring | 38 coin setting |
| 16 choker (collar, neckband) | 39 link |
| 17 bangle | 40 signet ring |
| 18 diamond pin | 41 engraving (monogram) |
| 19 modern-style brooches | 42-86 cuts and forms |
| 20 man's ring | |
| 21 cuff links | |
| 22 tiepin | |
| 23 diamond ring with pearl | |

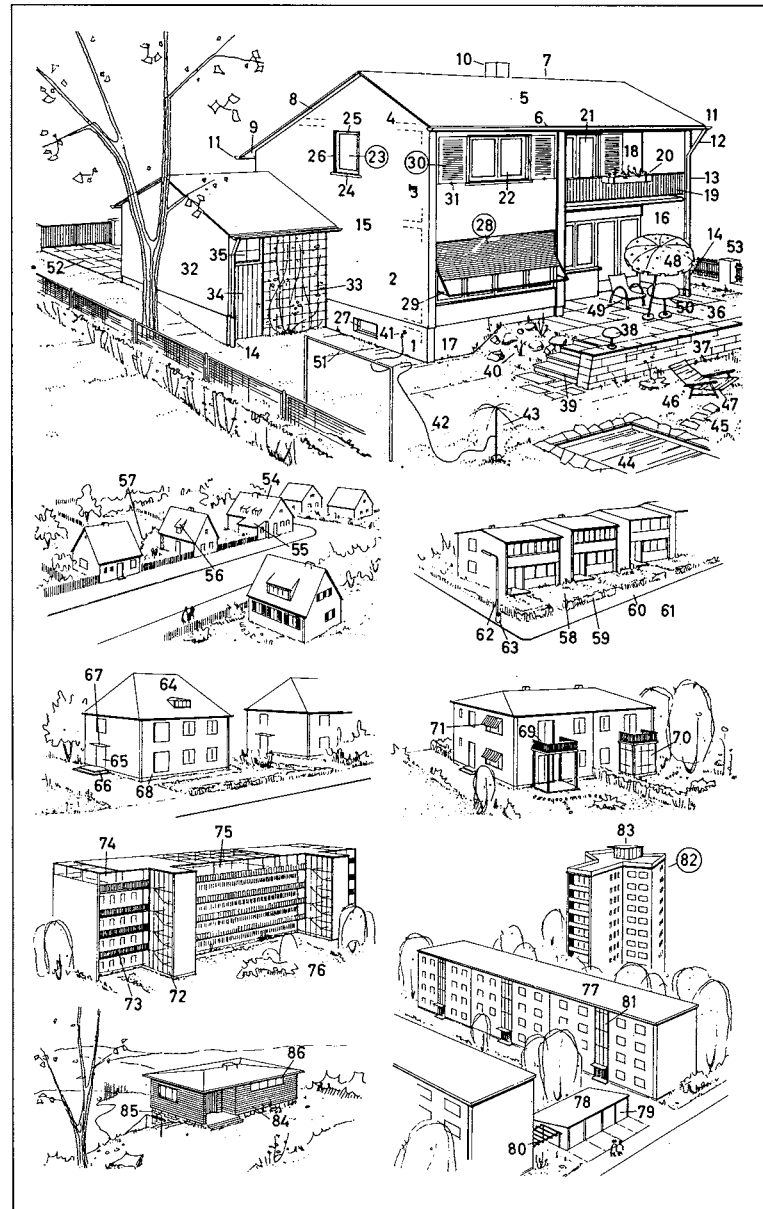


- | | |
|-------------------------------------|-------------------------------------|
| 42-71 faceted stones | 76 antique table en cabochon |
| 42, 43 standard round cut | 77 rectangular table en cabochon |
| 44 brilliant cut | 78-81 cabochons |
| 45 rose cut | 78 round cabochon (simple cabochon) |
| 46 flat table | 79 high dome (high cabochon) |
| 47 table en cabochon | 80 oval cabochon |
| 48 standard cut | 81 octagonal cabochon |
| 49 standard antique cut | 82-86 spheres and pear-shapes |
| 50 rectangular step-cut | 82 plain sphere |
| 51 square step-cut | 83 plain pear-shape |
| 52 octagonal step-cut | 84 faceted pear-shape |
| 53 octagonal cross-cut | 85 plain drop |
| 54 standard pear-shape (pendeloque) | 86 faceted briolette |
| 55 marquise (navette) | |
| 56 standard barrel-shape | |
| 57 trapezium step-cut | |
| 58 trapezium cross-cut | |
| 59 rhombus step-cut | |
| 60, 61 triangular step-cut | |
| 62 hexagonal step-cut | |
| 63 oval hexagonal cross-cut | |
| 64 round hexagonal step-cut | |
| 65 round hexagonal cross-cut | |

1-53 detached house

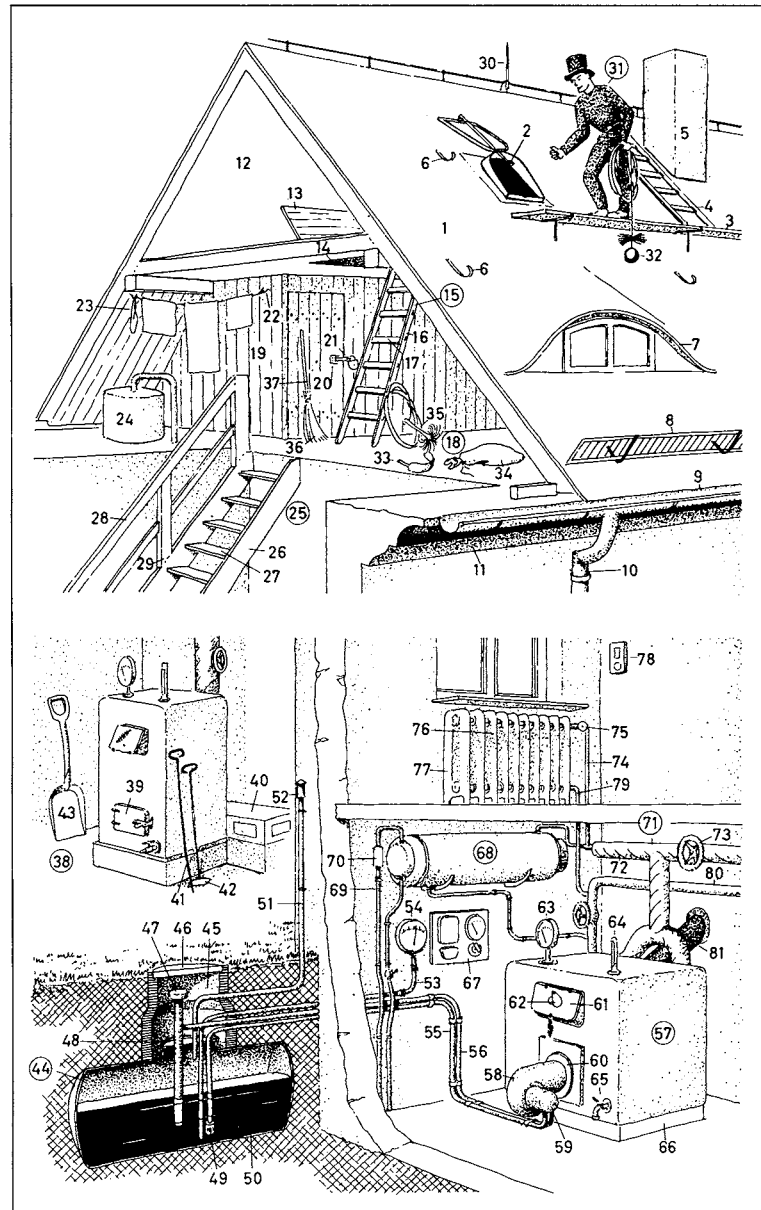
- 1 basement
- 2 ground floor (*Am.* first floor)
- 3 upper floor (first floor, *Am.* second floor)
- 4 loft
- 5 roof, a gable roof (saddle roof, saddle-back roof)
- 6 gutter
- 7 ridge
- 8 verge with bargeboards
- 9 eaves, rafter-supported eaves
- 10 chimney
- 11 gutter
- 12 swan's neck (swan-neck)
- 13 rainwater pipe (downpipe, *Am.* downspout, leader)
- 14 vertical pipe, a cast-iron pipe
- 15 gable (gable end)
- 16 glass wall
- 17 base course (plinth)
- 18 balcony
- 19 parapet
- 20 flower box
- 21 French window (French windows) opening on to the balcony
- 22 double casement window
- 23 single casement window
- 24 window breast with window sill
- 25 lintel (window head)
- 26 reveal
- 27 cellar window
- 28 rolling shutter
- 29 rolling shutter frame
- 30 window shutter (folding shutter)
- 31 shutter catch
- 32 garage with tool shed
- 33 espalier
- 34 batten door (ledged door)
- 35 fanlight with mullion and transom
- 36 terrace
- 37 garden wall with coping stones
- 38 garden light
- 39 steps
- 40 rockery (rock garden)
- 41 outside tap (*Am.* faucet) for the hose
- 42 garden hose
- 43 lawn sprinkler
- 44 paddling pool
- 45 stepping stones
- 46 sunbathing area (lawn)
- 47 deck-chair
- 48 sunshade (garden parasol)
- 49 garden chair
- 50 garden table
- 51 frame for beating carpets

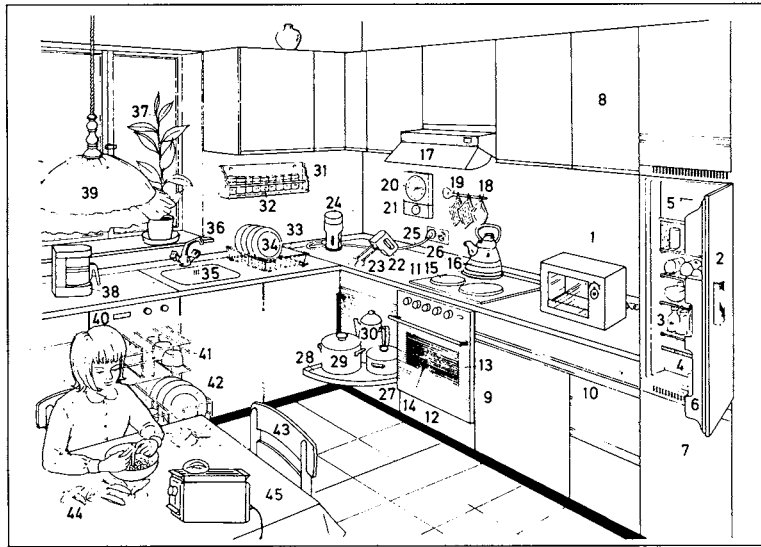
- 52 garage driveway
- 53 fence, a wooden fence
- 54-57 housing estate** (housing development)
- 54 house on a housing estate (on a housing development)
- 55 pent roof (penthouse roof)
- 56 dormer (dormer window)
- 57 garden
- 58-63 terraced house** [one of a row of terraced houses], **stepped**
- 58 front garden
- 59 hedge
- 60 pavement (*Am.* sidewalk, walkway)
- 61 street (road)
- 62 street lamp (street light)
- 63 litter bin (*Am.* trash bin)
- 64-68 house divided into two flats** (*Am.* house divided into two apartments, duplex house)
- 64 hip (hipped) roof
- 65 front door
- 66 front steps
- 67 canopy
- 68 flower window (window for house plants)
- 69-71 pair of semi-detached houses divided into four flats** (*Am.* apartments)
- 69 balcony
- 70 sun lounge (*Am.* sun parlor)
- 71 awning (sun blind, sunshade)
- 72-76 block of flats** (*Am.* apartment building, apartment house) with access balconies
- 72 staircase
- 73 balcony
- 74 studio flat (*Am.* studio apartment)
- 75 sun roof, a sun terrace
- 76 open space
- 77-81 multi-storey block of flats** (*Am.* multi-story apartment building, multistory apartment house)
- 77 flat roof
- 78 pent roof (shed roof, lean-to roof)
- 79 garage
- 80 pergola
- 81 staircase window
- 82 high-rise block of flats (*Am.* high-rise apartment building, high-rise apartment house)
- 83 penthouse
- 84-86 weekend house**, a timber house
- 84 horizontal boarding
- 85 natural stone base course (natural stone plinth)
- 86 strip windows (ribbon windows)



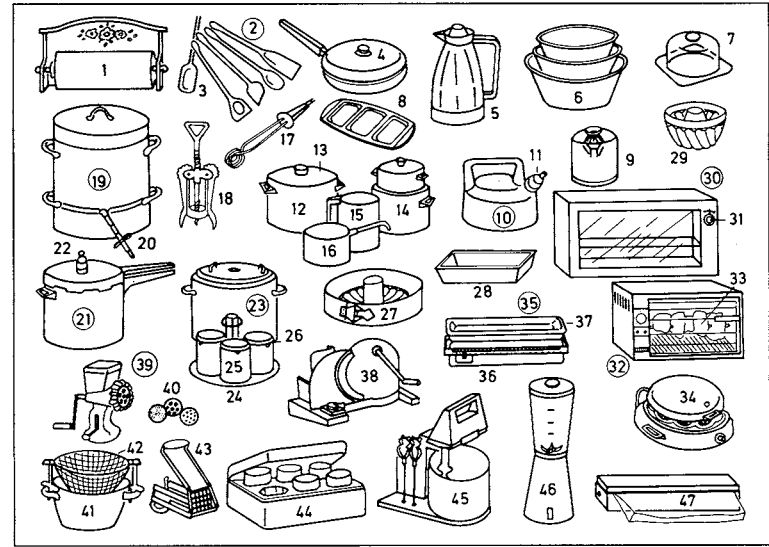
- 1-29 attic
- 1 roof cladding (roof covering)
- 2 skylight
- 3 gangway
- 4 cat ladder (roof ladder)
- 5 chimney
- 6 roof hook
- 7 dormer window (dormer)
- 8 snow guard (roof guard)
- 9 gutter
- 10 rainwater pipe (downpipe, *Am.* downspout, leader)
- 11 eaves
- 12 pitched roof
- 13 trapdoor
- 14 hatch
- 15 ladder
- 16 stile
- 17 rung
- 18 loft (attic)
- 19 wooden partition
- 20 lumber room door (boxroom door)
- 21 padlock
- 22 hook [for washing line]
- 23 clothes line (washing line)
- 24 expansion tank for boiler
- 25 wooden steps and balustrade
- 26 string (*Am.* stringer)
- 27 step
- 28 handrail (guard rail)
- 29 baluster
- 30 lightning conductor (lightning rod)
- 31 chimney sweep (*Am.* chimney sweeper)
- 32 brush with weight
- 33 shoulder iron
- 34 sack for soot
- 35 flue brush
- 36 broom (besom)
- 37 broomstick (broom handle)
- 38-81 hot-water heating system, full central heating
- 38-43 boiler room
- 38 coke-fired central heating system
- 39 ash box door (*Am.* cleanout door)
- 40 flueblock

- 41 poker
- 42 rake
- 43 coal shovel
- 44-60 oil-fired central heating system
- 44 oil tank
- 45 manhole
- 46 manhole cover
- 47 tank inlet
- 48 dome cover
- 49 tank bottom valve
- 50 fuel oil (heating oil)
- 51 air-bleed duct
- 52 air vent cap
- 53 oil level pipe
- 54 oil gauge (*Am.* gage)
- 55 suction pipe
- 56 return pipe
- 57 central heating furnace (oil heating furnace)
- 58-60 oil burner
- 58 fan
- 59 electric motor
- 60 covered pilot light
- 61 charging door
- 62 inspection window
- 63 water gauge (*Am.* gage)
- 64 furnace thermometer
- 65 bleeder
- 66 furnace bed
- 67 control panel
- 68 hot water tank (boiler)
- 69 overflow pipe (overflow)
- 70 safety valve
- 71 main distribution pipe
- 72 lagging
- 73 valve
- 74 flow pipe
- 75 regulating valve
- 76 radiator
- 77 radiator rib
- 78 room thermostat
- 79 return pipe (return)
- 80 return pipe [in two-pipe system]
- 81 smoke outlet (smoke extract)

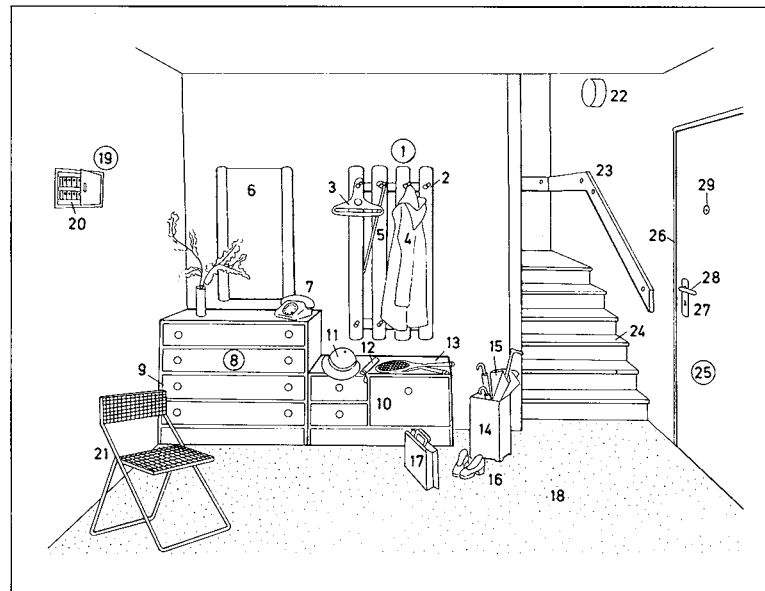




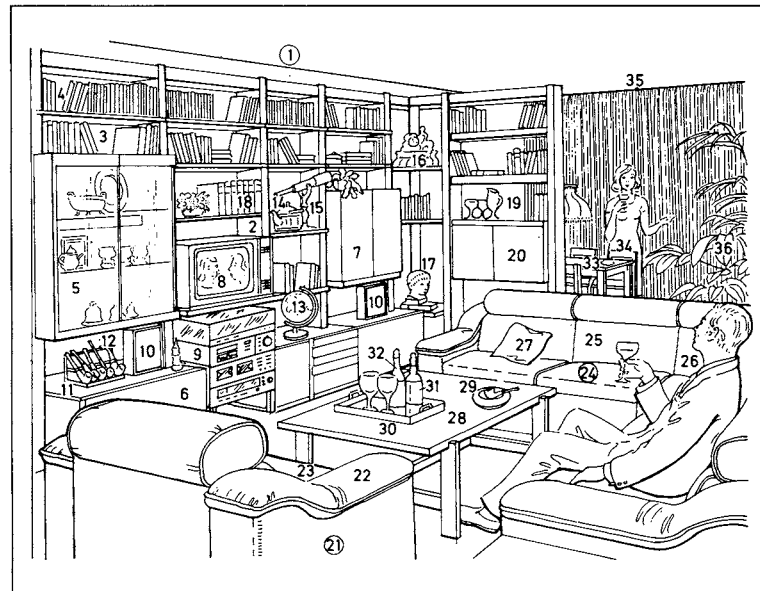
- | | |
|---|---|
| 1 microwave oven (microwave) | 24 electric coffee grinder (with rotating blades) |
| 2 refrigerator (fridge, <i>Am.</i> icebox) | 25 lead |
| 3 refrigerator shelf | 26 wall socket |
| 4 salad drawer | 27 corner unit |
| 5 freezing compartment | 28 revolving shelf |
| 6 bottle rack (in storage door) | 29 pot (cooking pot) |
| 7 upright freezer | 30 jug |
| 8 wall cupboard, a kitchen cupboard | 31 spice rack |
| 9 base unit | 32 spice jar |
| 10 cutlery drawer | 33-36 sink unit |
| 11 work surface (worktop) | 33 dish drainer |
| 12-17 cooker unit | 34 tea plate |
| 12 electric cooker (<i>also:</i> gas cooker) | 35 sink |
| 13 oven | 36 water tap (<i>Am.</i> faucet); <i>here:</i> mixer tap (<i>Am.</i> mixing faucet) |
| 14 oven window | 37 pot plant, a foliage plant |
| 15 hotplate, an automatic high-speed plate | 38 coffee maker |
| 16 kettle (whistling kettle) | 39 kitchen lamp |
| 17 cooker hood | 40 dishwasher (dishwashing machine) |
| 18 pot holder | 41 dish rack |
| 19 pot holder rack | 42 dinner plate |
| 20 kitchen clock | 43 kitchen chair |
| 21 timer | 44 kitchen table |
| 22 hand mixer | 45 toaster |
| 23 whisk | |



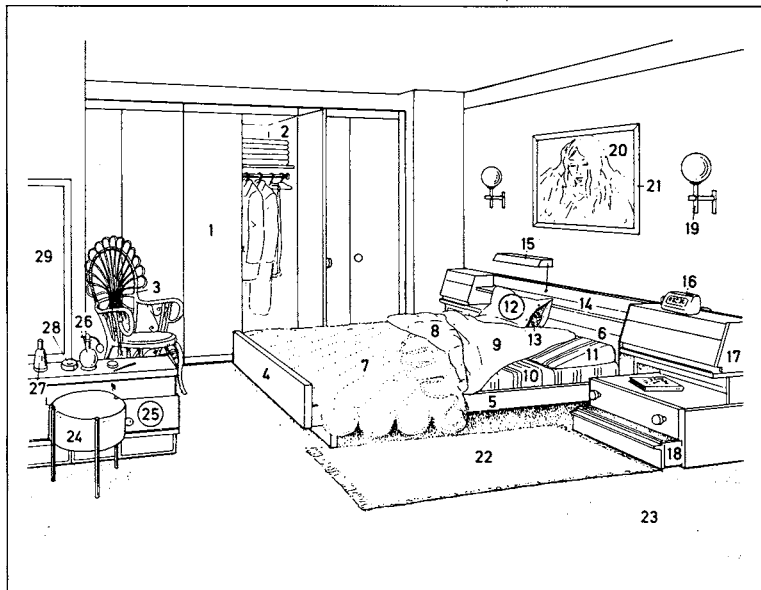
- | | |
|--|--------------------------------------|
| 1 general-purpose roll holder with kitchen roll (paper towels) | 24 removable rack |
| 2 set of wooden spoons | 25 preserving jar |
| 3 mixing spoon | 26 rubber ring |
| 4 frying pan | 27 spring form |
| 5 Thermos jug | 28 cake tin |
| 6 set of bowls | 29 cake tin |
| 7 cheese dish with glass cover | 30 microwave oven (microwave) |
| 8 three-compartment dish | 31 timer |
| 9 lemon squeezer | 32 rotisserie |
| 10 whistling kettle | 33 spit |
| 11 whistle | 34 electric waffle iron |
| 12-16 pan set | 35 sliding-weight scales |
| 12 pot (cooking pot) | 36 sliding weight |
| 13 lid | 37 scale pan |
| 14 casserole dish | 38 food slicer |
| 15 milk pot | 39 mincer (<i>Am.</i> meat chopper) |
| 16 saucepan | 40 blades |
| 17 immersion heater | 41 chip pan |
| 18 corkscrew [with levers] | 42 basket |
| 19 juice extractor | 43 potato chipper |
| 20 tube clamp (tube clip) | 44 yoghurt maker |
| 21 pressure cooker | 45 mixer |
| 22 pressure valve | 46 blender |
| 23 fruit preserver | 47 bag sealer |

**1-29 hall (entrance hall)**

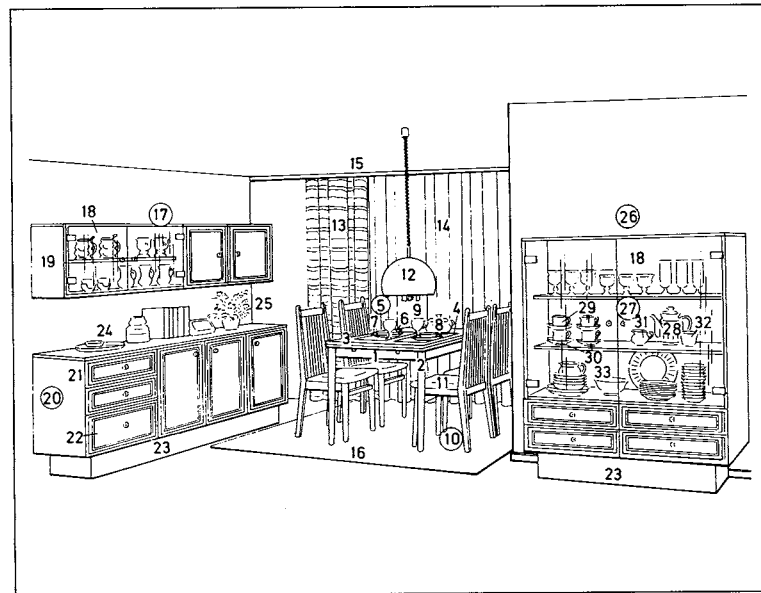
- | | |
|-------------------------------------|----------------|
| 1 coat rack | 23 handrail |
| 2 coat hook | 24 step |
| 3 coat hanger | 25 front door |
| 4 rain cape | 26 door frame |
| 5 walking stick | 27 door lock |
| 6 hall mirror | 28 door handle |
| 7 telephone | 29 spyhole |
| 8 chest of drawers for shoes, etc. | |
| 9 drawer | |
| 10 seat | |
| 11 ladies' hat | |
| 12 telescopic umbrella | |
| 13 tennis rackets (tennis racquets) | |
| 14 umbrella stand | |
| 15 umbrella | |
| 16 shoes | |
| 17 briefcase | |
| 18 fitted carpet | |
| 19 fuse box | |
| 20 miniature circuit breaker | |
| 21 tubular steel chair | |
| 22 stair light | |

**1-20 wall units (shelf units)**

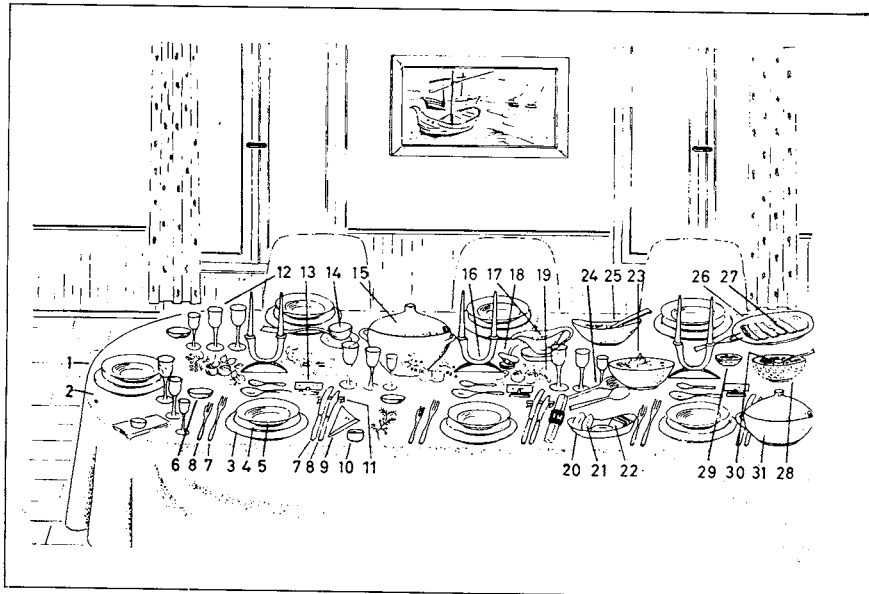
- | | |
|--|------------------------------------|
| 1 side wall | 21 armchair |
| 2 bookshelf | 22 arm |
| 3 row of books | 23 seat cushion (cushion) |
| 4 display cabinet unit | 24 settee |
| 5 cupboard base unit | 25 back cushion |
| 6 cupboard unit | 26 [round] corner section |
| 7 television set (TV set) | 27 scatter cushion |
| 8 stereo system (stereo equipment) | 28 coffee table |
| 9 speaker (loudspeaker) | 29 ashtray |
| 10 pipe rack | 30 tray |
| 11 pipe | 31 whisky (whiskey) bottle |
| 12 globe | 32 soda water bottle (soda bottle) |
| 13 brass kettle | 33-34 dining set |
| 14 telescope | 33 dining table |
| 15 mantle clock | 34 chair |
| 16 bust | 35 net curtain |
| 17 encyclopaedia [in several volumes] | 36 indoor plants (houseplants) |
| 18 room divider | |
| 19 drinks cupboard | |
| 21-26 upholstered suite (seating group) | |



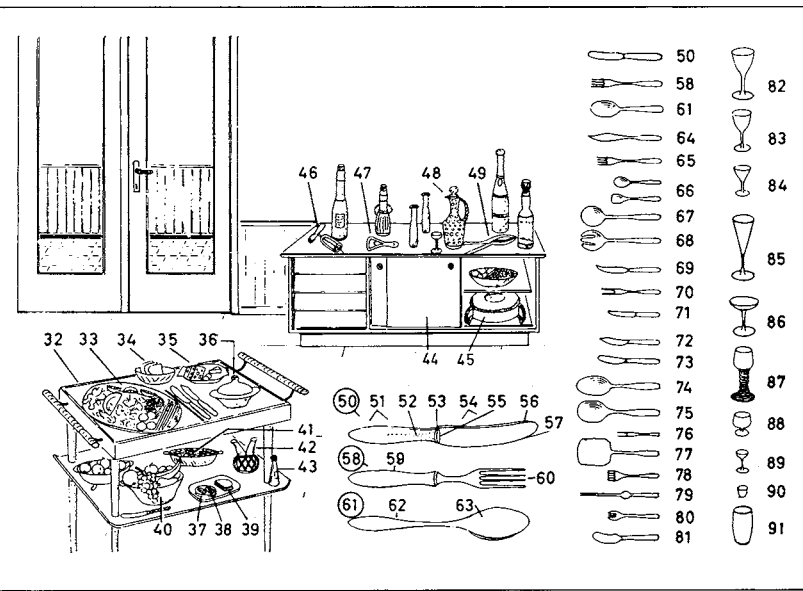
- | | |
|---|-----------------------------------|
| 1 wardrobe (<i>Am.</i> clothes closet) | 19 bedroom lamp |
| 2 linen shelf | 20 picture |
| 3 cane chair | 21 picture frame |
| 4-13 double bed (<i>sim.</i> : double divan) | 22 bedside rug |
| 4-6 bedstead | 23 fitted carpet |
| 4 foot of the bed | 24 dressing stool |
| 5 bed frame | 25 dressing table |
| 6 headboard | 26 perfume spray |
| 7 bedspread | 27 perfume bottle |
| 8 duvet, a quilted duvet | 28 powder box |
| 9 sheet, a linen sheet | 29 dressing-table mirror (mirror) |
| 10 mattress, a foam mattress with drill tick | |
| 11 [wedge-shaped] bolster | |
| 12, 13 pillow | |
| 12 pillowcase (pillowslip) | |
| 13 tick | |
| 14 bookshelf [attached to the headboard] | |
| 15 reading lamp | |
| 16 electric alarm clock | |
| 17 bedside cabinet | |
| 18 drawer | |



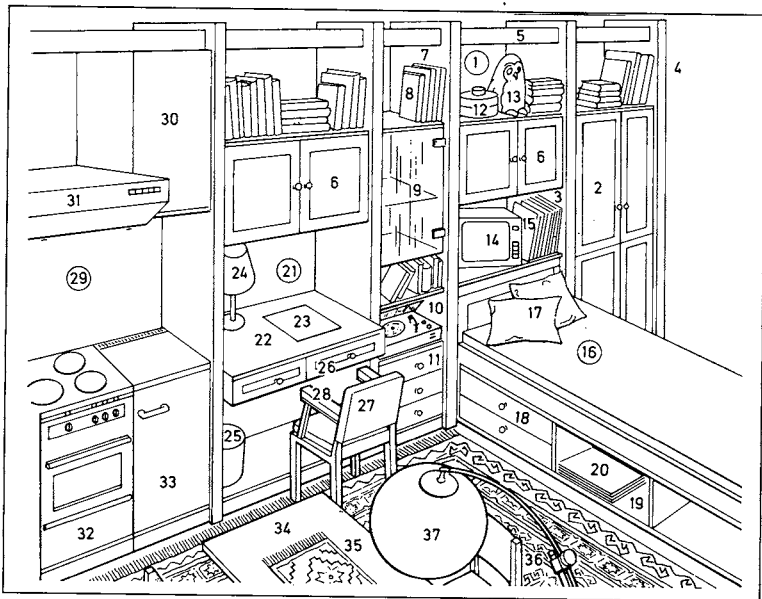
- | | |
|--------------------------------|------------------------------------|
| 1-11 dining set | 23 base |
| 1 dining table | 24 round tray |
| 2 table leg | 25 pot plant |
| 3 table top | 26 china cabinet (display cabinet) |
| 4 place mat | 27 coffee set (coffee service) |
| 5 place (place setting, cover) | 28 coffee pot |
| 6 soup plate (deep plate) | 29 coffee cup |
| 7 dinner plate | 30 saucer |
| 8 soup tureen | 31 milk jug |
| 9 wineglass | 32 sugar bowl |
| 10 dining chair | 33 dinner set (dinner service) |
| 11 seat | |
| 12 lamp (pendant lamp) | |
| 13 curtains | |
| 14 net curtain | |
| 15 curtain rail | |
| 16 carpet | |
| 17 wall unit | |
| 18 glass door | |
| 19 shelf | |
| 20 sideboard | |
| 21 cutlery drawer | |
| 22 linen drawer | |



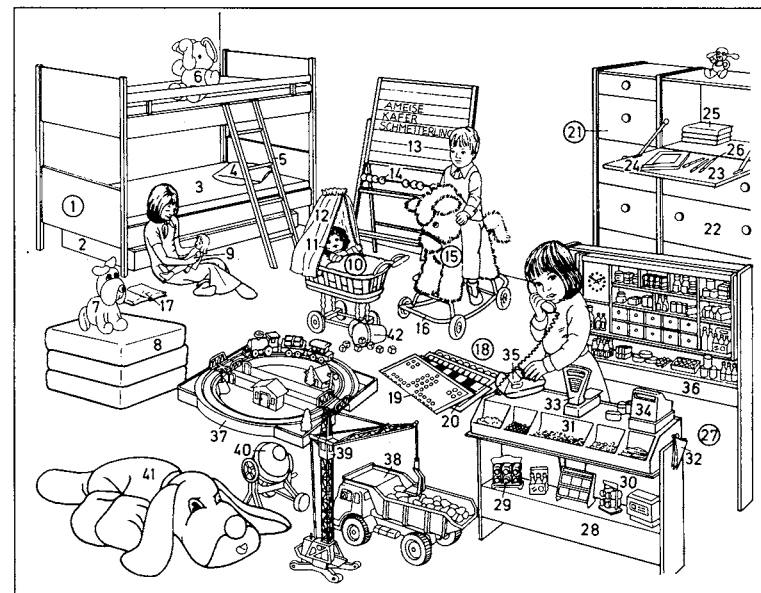
- | | |
|------------------------------------|--|
| 1 dining table | 25 vegetable dish |
| 2 tablecloth, a damask cloth | 26 meat plate (<i>Am.</i> meat platter) |
| 3-12 place (place setting, cover) | 27 roast meat (roast) |
| 3 bottom plate | 28 fruit dish |
| 4 dinner plate | 29 fruit bowl |
| 5 deep plate (soup plate) | 30 fruit (stewed fruit) |
| 6 dessert plate (dessert bowl) | 31 potato dish |
| 7 knife and fork | 32 serving trolley |
| 8 fish knife and fork | 33 vegetable plate (<i>Am.</i> vegetable platter) |
| 9 serviette (napkin, table napkin) | 34 toast |
| 10 serviette ring (napkin ring) | 35 cheeseboard |
| 11 knife rest | 36 butter dish |
| 12 wineglasses | 37 open sandwich |
| 13 place card | 38 filling |
| 14 soup ladle | 39 sandwich |
| 15 soup tureen (tureen) | 40 fruit bowl |
| 16 candelabra | 41 almonds (<i>also:</i> potato crisps, peanuts) |
| 17 sauceboat (gravy boat) | 42 oil and vinegar bottle |
| 18 sauce ladle (gravy ladle) | 43 ketchup (catchup, catsup) |
| 19 table decoration | 44 sideboard |
| 20 bread basket | 45 electric hotplate |
| 21 roll | 46 corkscrew |
| 22 slice of bread | 47 crown cork bottle opener (crown cork opener), a bottle opener |
| 23 salad bowl | |
| 24 salad servers | |



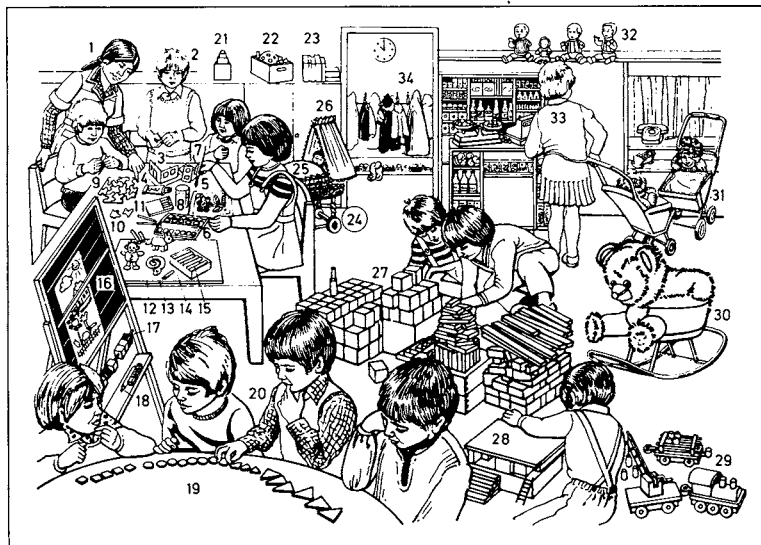
- | | | |
|--|--|-------------------------------------|
| 46 liqueur decanter | 50 knife | 82 white wine glass |
| 47 nutcrackers (nutcracker) | 51 handle | 83 red wine glass |
| 48 knife | 52 tang (tongue) | 84 sherry glass (madeira glass) |
| 49 handle | 53 ferrule | 85, 86 champagne glasses |
| 50 knife | 54 blade | 85 tapered glass |
| 51 handle | 55 bolster | 86 champagne glass, a crystal glass |
| 52 tang (tongue) | 56 back | 87 rummer |
| 53 ferrule | 57 edge (cutting edge) | 88 brandy glass |
| 54 blade | 58 fork | 89 liqueur glass |
| 55 bolster | 59 handle | 90 spirit glass |
| 56 back | 60 prong (tang, tine) | 91 beer glass |
| 57 edge (cutting edge) | 61 spoon; <i>here:</i> dessert spoon, soup spoon | |
| 58 fork | 62 handle | |
| 59 handle | 63 bowl | |
| 60 prong (tang, tine) | 64 fish knife | |
| 61 spoon; <i>here:</i> dessert spoon, soup spoon | 65 fish fork | |
| 62 handle | 66 dessert spoon (fruit spoon) | |
| 63 bowl | 67 salad spoon | |
| | 68 salad fork | |
| | 69, 70 carving set (serving cutlery) | |
| | 69 carving knife | |
| | 70 serving fork | |
| | 71 fruit knife | |
| | 72 cheese knife | |
| | 73 butter knife | |
| | 74 vegetable spoon, a serving spoon | |
| | 75 potato server (serving spoon for potatoes) | |
| | 76 cocktail fork | |
| | 77 asparagus server (asparagus slice) | |
| | 78 sardine server | |
| | 79 lobster fork | |
| | 80 oyster fork | |
| | 81 caviare knife | |



- | | |
|--|---|
| 1 wall units (shelf units) | 22 desk |
| 2 wardrobe door (<i>Am.</i> clothes closet door) | 23 desk mat (blotter) |
| 3 body | 24 table lamp |
| 4 side wall | 25 wastepaper basket |
| 5 trim | 26 desk drawer |
| 6 two-door cupboard unit | 27 desk chair |
| 7 bookshelf unit (bookcase unit) [with glass door] | 28 arm |
| 8 books | 29 kitchen unit |
| 9 display cabinet | 30 wall cupboard |
| 10 record player | 31 cooker hood |
| 11 drawer | 32 electric cooker |
| 12 decorative biscuit tin | 33 refrigerator (fridge, <i>Am.</i> icebox) |
| 13 soft toy animal | 34 dining table |
| 14 television set (TV set) | 35 table runner |
| 15 records (discs) | 36 oriental carpet |
| 16 bed unit | 37 standard lamp |
| 17 scatter cushion | |
| 18 bed unit drawer | |
| 19 bed unit shelf | |
| 20 magazines | |
| 21 desk unit (writing unit) | |



- | | |
|--|---|
| 1 children's bed, a bunk bed | 24 notebook (exercise book) |
| 2 storage box | 25 school books |
| 3 mattress | 26 pencil (<i>also:</i> crayon, felt tip pen, ballpoint pen) |
| 4 pillow | 27 toy shop |
| 5 ladder | 28 counter |
| 6 soft toy elephant, a cuddly toy animal | 29 spice rack |
| 7 soft toy dog | 30 display |
| 8 cushion | 31 assortment of sweets (<i>Am.</i> candies) |
| 9 fashion doll | 32 bag of sweets (<i>Am.</i> candies) |
| 10 doll's pram | 33 scales |
| 11 sleeping doll | 34 cash register |
| 12 canopy | 35 toy telephone |
| 13 blackboard | 36 shop shelves (goods shelves) |
| 14 counting beads | 37 wooden train set |
| 15 toy horse for rocking and pulling | 38 dump truck, a toy lorry (toy truck) |
| 16 rockers | 39 tower crane |
| 17 children's book | 40 concrete mixer |
| 18 compendium of games | 41 large soft toy dog |
| 19 ludo | 42 dice cup |
| 20 chessboard | |
| 21 children's cupboard | |
| 22 linen drawer | |
| 23 drop-flap writing surface | |



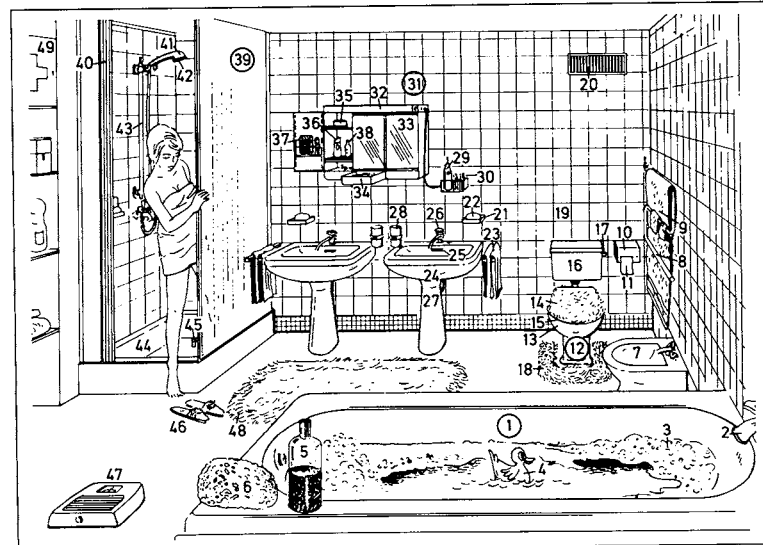
1-20 pre-school education (nursery education)

- 1 nursery teacher
- 2 nursery child
- 3 handicraft
- 4 glue
- 5 watercolour (*Am.* watercolor) painting
- 6 paintbox
- 7 paintbrush
- 8 glass of water
- 9 jigsaw puzzle (puzzle)
- 10 jigsaw puzzle piece
- 11 coloured (*Am.* colored) pencils (wax crayons)
- 12 modelling (*Am.* modeling) clay (Plasticine)
- 13 clay figures (Plasticine figures)
- 14 modelling (*Am.* modeling) board
- 15 chalk (blackboard chalk)
- 16 blackboard
- 17 counting blocks
- 18 felt pen (felt tip pen)
- 19 shapes game

20 group of players

21-32 toys

- 21 building and filling cubes
- 22 construction set
- 23 children's books
- 24 doll's pram, a wicker pram
- 25 baby doll
- 26 canopy
- 27 building bricks (building blocks)
- 28 wooden model building
- 29 wooden train set
- 30 rocking teddy bear
- 31 doll's pushchair
- 32 fashion doll
- 33 child of nursery school age
- 34 cloakroom



- 1 bath
- 2 mixer tap (*Am.* mixing faucet) for hot and cold water
- 3 foam bath (bubble bath)
- 4 toy duck
- 5 bath salts
- 6 bath sponge (sponge)
- 7 bidet
- 8 towel rail
- 9 terry towel
- 10 toilet roll holder (*Am.* bathroom tissue holder)
- 11 toilet paper (*coll.* loo paper, *Am.* bathroom tissue)
- 12 toilet (lavatory, *W.C.*, *coll.* loo)
- 13 toilet pan (toilet bowl)
- 14 toilet lid with terry cover
- 15 toilet seat
- 16 cistern
- 17 flushing lever
- 18 pedestal mat
- 19 tile
- 20 ventilator (extraction vent)
- 21 soap dish
- 22 soap
- 23 hand towel
- 24 washbasin

25 overflow

- 25 hot and cold water tap
- 27 washbasin pedestal with trap (anti-siphon trap)
- 28 tooth glass (tooth mug)
- 29 electric toothbrush
- 30 detachable brush heads
- 31 mirrored bathroom cabinet
- 32 fluorescent lamp
- 33 mirror
- 34 drawer
- 35 powder box
- 36 mouthwash
- 37 electric shaver
- 38 aftershave lotion
- 39 shower cubicle
- 40 shower curtain
- 41 adjustable shower head
- 42 shower nozzle
- 43 shower adjustment rail
- 44 shower base
- 45 waste pipe
- 46 bathroom mule
- 47 bathroom scales
- 48 bath mat
- 49 medicine cabinet

1-20 irons

- 1 electric ironing machine
- 2 electric foot switch
- 3 roller covering
- 4 ironing head
- 5 sheet
- 6 electric iron (lightweight iron)
- 7 sole-plate
- 8 temperature selector
- 9 handle (iron handle)
- 10 pilot light
- 11 steam, spray, and dry iron
- 12 filling inlet
- 13 spray nozzle for damping the washing
- 14 steam hole (steam slit)
- 15 ironing table
- 16 ironing board (ironing surface)
- 17 ironing-board cover
- 18 iron well
- 19 aluminium (*Am.* aluminum) frame
- 20 sleeve board
- 21 linen bin
- 22 dirty linen

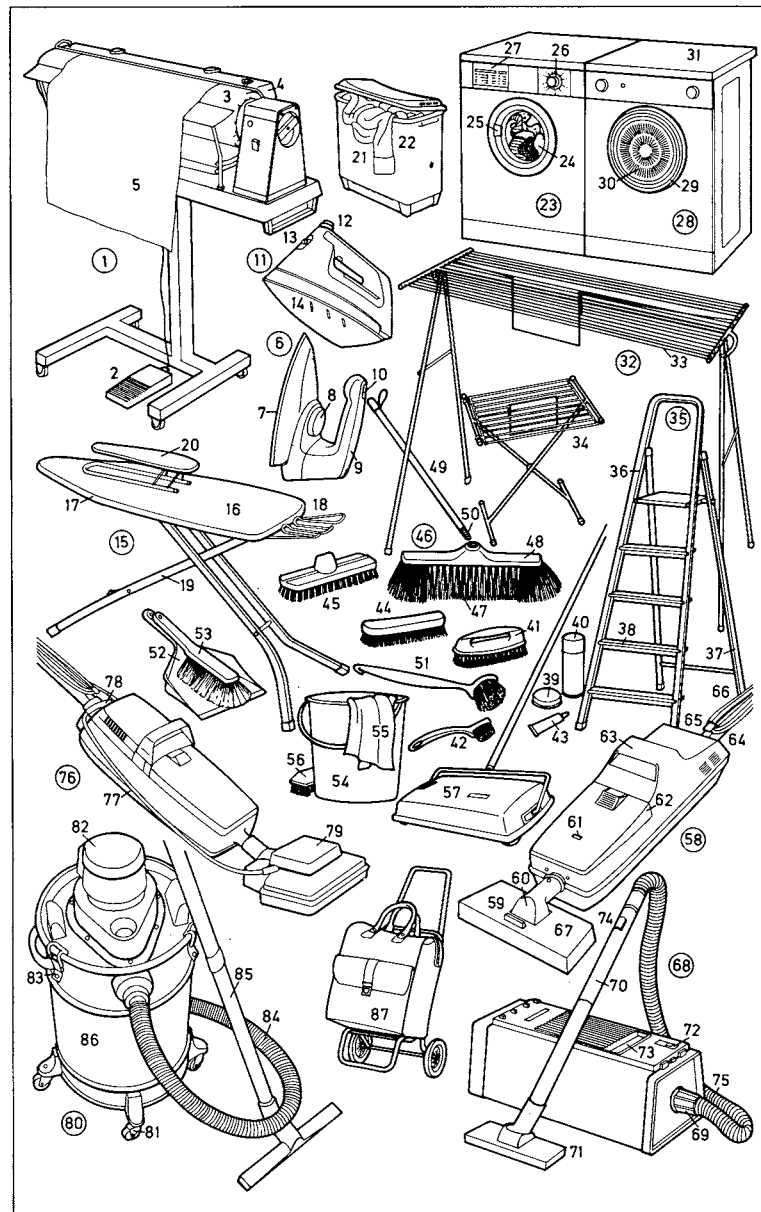
23-34 washing machines and driers

- 23 automatic washing machine
- 24 washing drum
- 25 safety latch (safety catch)
- 26 program selector control
- 27 front soap dispenser [with several compartments]
- 28 tumble drier
- 29 drum
- 30 front door with ventilation slits
- 31 worktop
- 32 airer
- 33 clothes line (washing line)
- 34 extending airer
- 35 stepladder (steps), an aluminium (*Am.* aluminum) ladder
- 36 stile
- 37 prop
- 38 tread (rung)

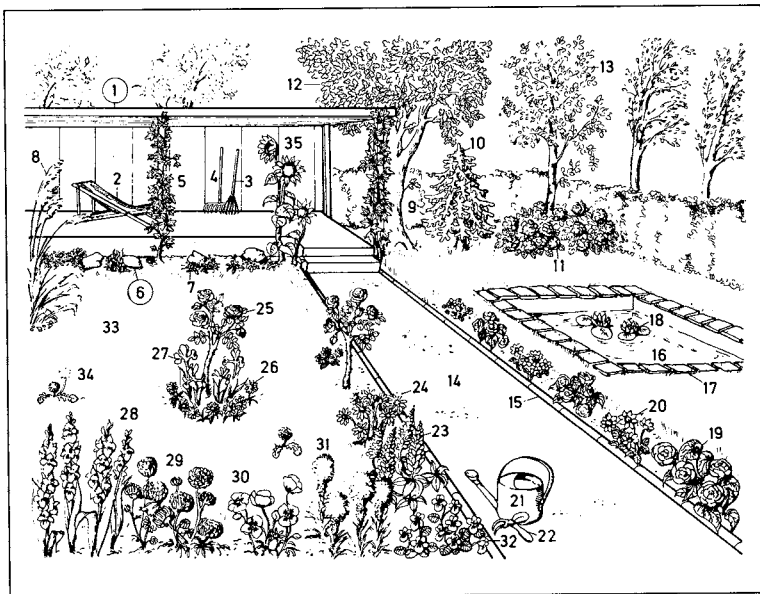
39-43 shoe care utensils

- 39 tin of shoe polish
- 40 shoe spray, an impregnating spray
- 41 shoe brush
- 42 brush for applying polish
- 43 tube of shoe polish
- 44 clothes brush
- 45 carpet brush

- 46 broom
- 47 bristles
- 48 broom head
- 49 broomstick (broom handle)
- 50 screw thread
- 51 washing-up brush
- 52 pan (dustpan)
- 53-86 floor and carpet cleaning**
- 53 brush
- 54 bucket (pail)
- 55 floor cloth (cleaning rag)
- 56 scrubbing brush
- 57 carpet sweeper
- 58 upright vacuum cleaner
- 59 changeover switch
- 60 swivel head
- 61 bag-full indicator
- 62 dust bag container
- 63 handle
- 64 tubular handle
- 65 flex hook
- 66 wound-up flex
- 67 all-purpose nozzle
- 68 cylinder vacuum cleaner
- 69 swivel coupling
- 70 extension tube
- 71 floor nozzle (*sim.*: carpet beater nozzle)
- 72 suction control
- 73 bag-full indicator
- 74 sliding fingertip suction control
- 75 hose (suction hose)
- 76 combined carpet sweeper and shampooer
- 77 electric lead (flex)
- 78 plug socket
- 79 carpet beater head (*sim.*: shampooing head, brush head)
- 80 all-purpose vacuum cleaner (wet and dry vacuum cleaner)
- 81 castor
- 82 motor unit
- 83 lid clip
- 84 coarse dirt hose
- 85 special accessory (special attachment) for coarse dirt
- 86 dust container
- 87 shopper (shopping trolley)

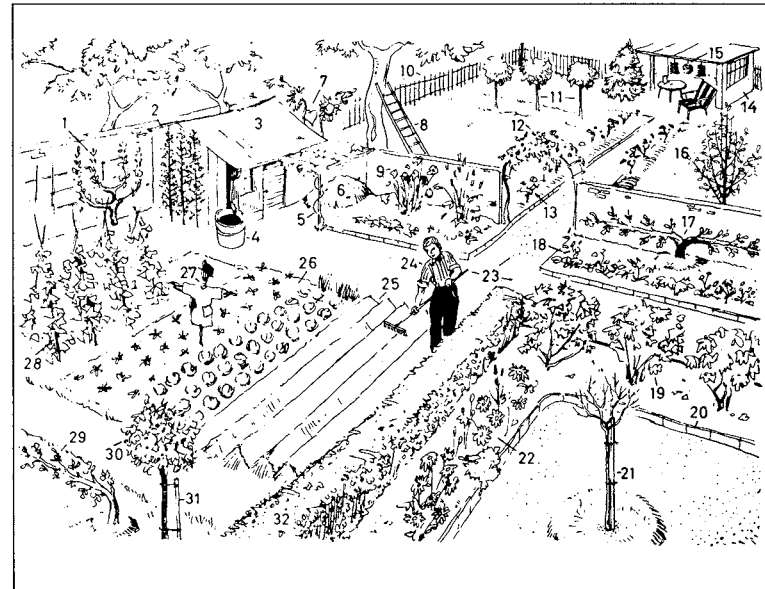


51 Flower Garden



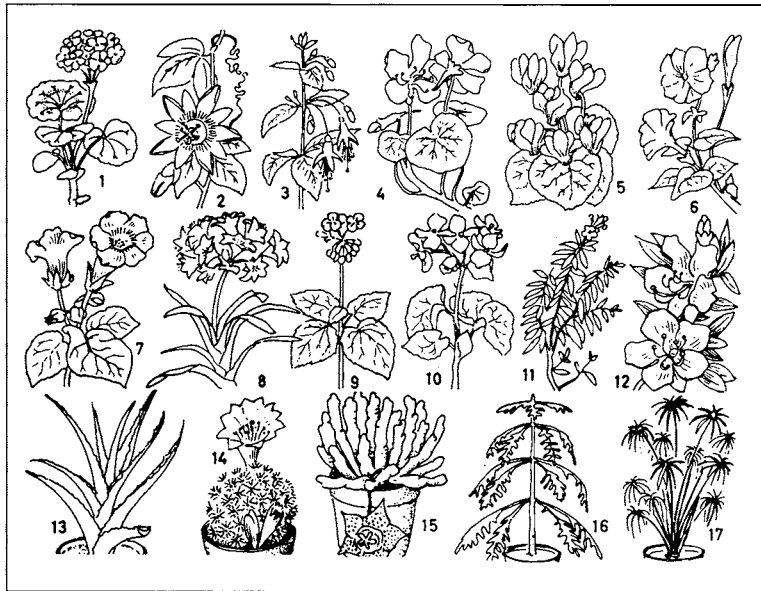
1-35 flower garden

- 1 pergola
- 2 deck-chair
- 3 lawn rake (wire-tooth rake)
- 4 garden rake
- 5 Virginia creeper (American ivy, woodbine), a climbing plant (climber, creeper)
- 6 rockery (rock garden)
- 7 rock plants; *varieties*: stonecrop (wall pepper), houseleek, dryas, aubretia
- 8 pampas grass
- 9 garden hedge
- 10 blue spruce
- 11 hydrangeas
- 12 oak (oak tree)
- 13 birch (birch tree)
- 14 garden path
- 15 edging
- 16 garden pond
- 17 flagstone (stone slab)
- 18 water lily
- 19 tuberous begonias
- 20 dahlias
- 21 watering can (*Am.* sprinkling can)
- 22 weeding hoe
- 23 lupin
- 24 marguerites (oxeye daisies, white oxeye daisies)
- 25 standard rose
- 26 gerbera
- 27 iris
- 28 gladioli
- 29 chrysanthemums
- 30 poppy
- 31 blazing star
- 32 snapdragon (antirrhinum)
- 33 lawn
- 34 dandelion
- 35 sunflower

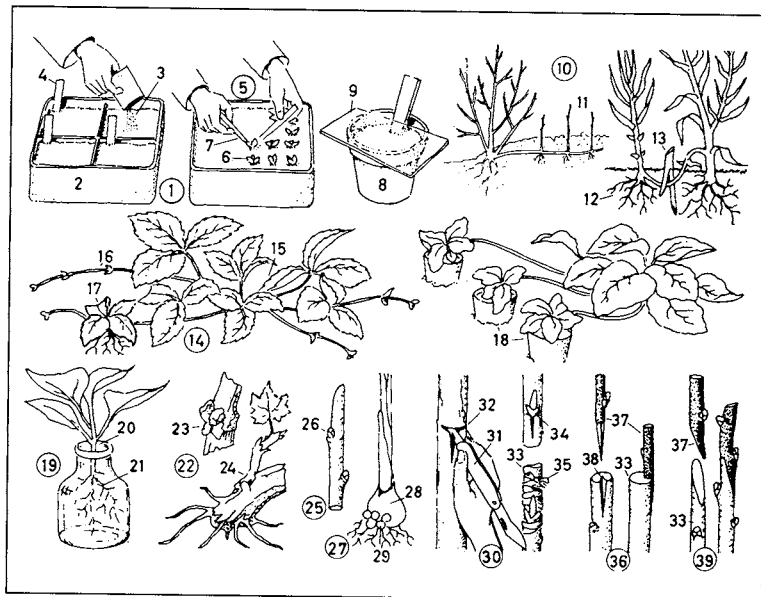


1-32 allotment (fruit and vegetable garden)

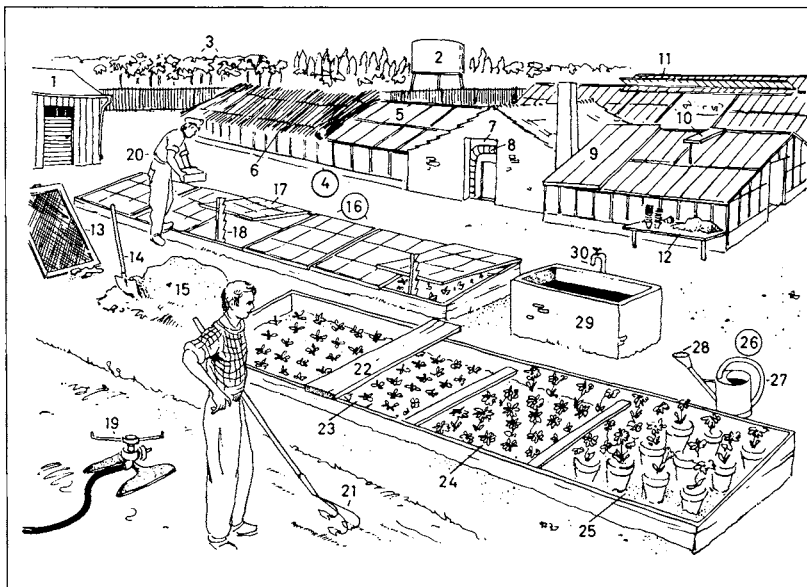
- 1, 2, 16, 17, 29 dwarf fruit trees (espaliers, espalier fruit trees)
- 1 quadruple cordon, a wall espalier
- 2 vertical cordon
- 3 tool shed (garden shed)
- 4 water butt (water barrel)
- 5 climbing plant (climber, creeper, rambler)
- 6 compost heap
- 7 sunflower
- 8 garden ladder (ladder)
- 9 perennial (flowering perennial)
- 10 garden fence (paling fence, paling)
- 11 standard berry tree
- 12 climbing rose (rambling rose) on the trellis arch
- 13 bush rose (standard rose tree)
- 14 summerhouse (garden house)
- 15 Chinese lantern (paper lantern)
- 16 pyramid tree (pyramidal tree, pyramid), a free-standing espalier
- 17 double horizontal cordon
- 18 flower bed, a border
- 19 berry bush (gooseberry bush, currant bush)
- 20 concrete edging
- 21 standard rose (standard rose tree)
- 22 border with perennials
- 23 garden path
- 24 allotment holder
- 25 asparagus patch (asparagus bed)
- 26 vegetable patch (vegetable plot)
- 27 scarecrow
- 28 runner bean (*Am.* scarlet runner), a bean plant on poles (bean poles)
- 29 horizontal cordon
- 30 standard fruit tree
- 31 tree stake
- 32 hedge



- 1 pelargonium (crane's bill), a geranium
- 2 passion flower (*Passiflora*), a climbing plant (climber, creeper)
- 3 fuchsia, an anagraceous plant
- 4 nasturtium (Indian cress, *tropaeolum*)
- 5 cyclamen, a primulaceous herb
- 6 petunia, a solanaceous herb
- 7 gloxinia (*Sinningia*), a gesneriaceous plant
- 8 *Clivia minata*, an amaryllis (narcissus)
- 9 African hemp (*Sparmannia*), a tiliaceous plant, a linden plant
- 10 begonia
- 11 myrtle (common myrtle, *Myrtus*)
- 12 azalea, an ericaceous plant
- 13 aloe, a liliaceous plant
- 14 globe thistle (*Echinops*)
- 15 stapelia (carrion flower), an asclepiadaceous plant
- 16 Norfolk Island Pine (an araucaria grown as an ornamental)
- 17 galingale, a cyperaceous plant of the sedge family



- 1 seed sowing (sowing)
- 2 seed pan
- 3 seed
- 4 label
- 5 pricking out (pricking off, transplanting)
- 6 seedling (seedling plant)
- 7 dibber (dibble)
- 8 flower pot (pot)
- 9 sheet of glass
- 10 propagation by layering
- 11 layer
- 12 layer with roots
- 13 forked stick used for fastening
- 14 propagation by runners
- 15 parent (parent plant)
- 16 runner
- 17 small rooted leaf cluster
- 18 setting in pots
- 19 cutting in water
- 20 cutting (slip, set)
- 21 root
- 22 bud cutting on vine tendril
- 23 scion bud, a bud
- 24 sprouting (shooting) cutting
- 25 stem cutting (hardwood cutting)
- 26 bud
- 27 propagation by bulbils (brood bud bulblets)
- 28 old bulb
- 29 bulbil (brood bud bulblet)
- 30-39 grafting (graftage)
- 30 budding; here: shield budding
- 31 budding knife
- 32 T-cut
- 33 support (stock, rootstock)
- 34 inserted scion bud
- 35 raffia layer (bast layer)
- 36 side grafting
- 37 scion (shoot)
- 38 wedge-shaped notch
- 39 splice grafting



1-51 market garden (Am. truck garden, truck farm)

- | | |
|--|--|
| 1 tool shed | 15 heap of earth (composted earth, prepared earth, garden mould, Am. mold) |
| 2 water tower (water tank) | 16 hotbed (forcing bed, heated frame) |
| 3 market garden (Am. truck garden, truck farm), a tree nursery | 17 hotbed vent (frame vent) |
| 4 hothouse (forcing house, warm house) | 18 vent prop |
| 5 glass roof | 19 sprinkler (sprinkling device) |
| 6 [roll of] matting (straw matting, reed matting, shading) | 20 gardener (nursery gardener, grower, commercial grower) |
| 7 boiler room (boiler house) | 21 cultivator (hand cultivator, grubber) |
| 8 heating pipe (pressure pipe) | 22 plank |
| 9 shading panel (shutter) | 23 pricked-out seedlings (pricked-off seedlings) |
| 10, 11 ventilators (vents) | 24 forced flowers [forcing] |
| 10 ventilation window (window vent, hinged ventilator) | 25 potted plants (plants in pots, pot plants) |
| 11 ridge vent | 26 watering can (Am. sprinkling can) |
| 12 potting table (potting bench) | 27 handle |
| 13 riddle (sieve, garden sieve, upright sieve) | 28 rose |
| 14 garden shovel (shovel) | 29 water tank |
| | 30 water pipe |

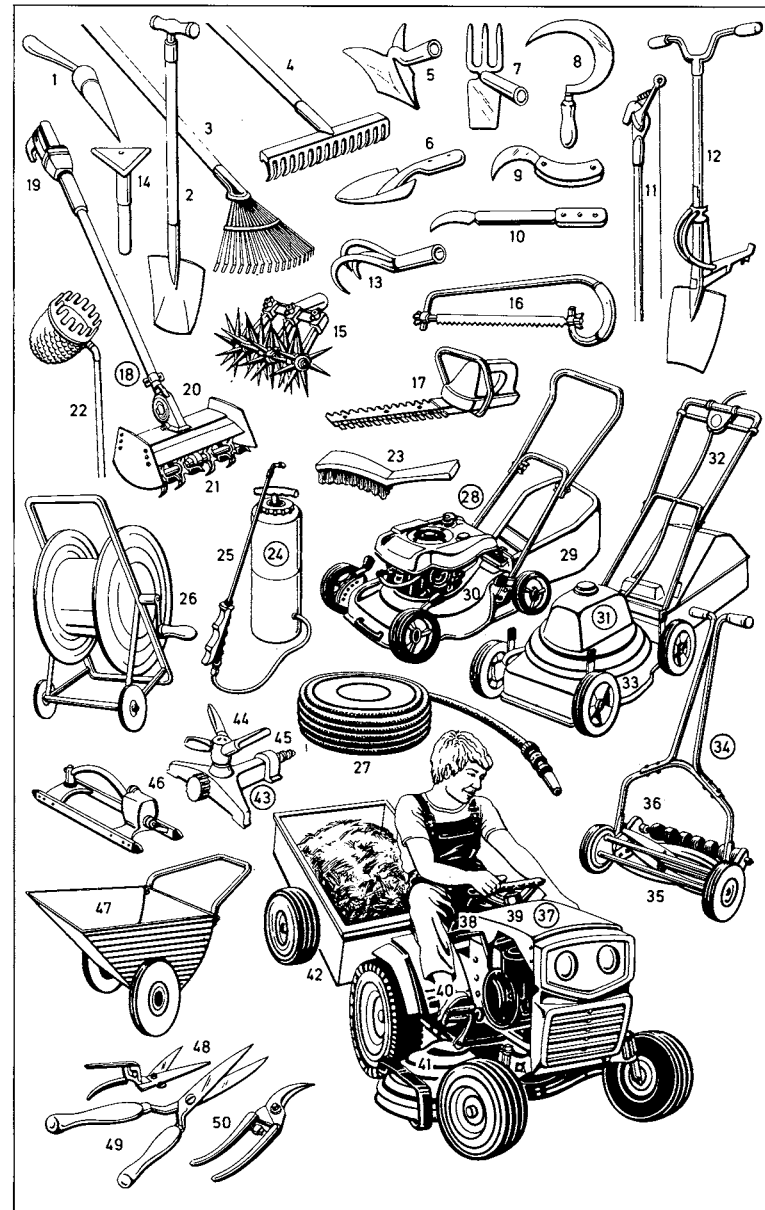


- | |
|--|
| 31 bale of peat |
| 32 warm house (heated greenhouse) |
| 33 cold house (unheated greenhouse) |
| 34 wind generator |
| 35 wind wheel |
| 36 wind vane |
| 37 shrub bed, a flower bed |
| 38 hoop edging |
| 39 vegetable plot |
| 40 plastic tunnel (polythene greenhouse) |
| 41 ventilation flap |
| 42 central path |
| 43 vegetable crate |
| 44 tomato plant |
| 45, 46 nursery hand |
| 47 tub plant |
| 48 tub |
| 49 orange tree |
| 50 wire basket |
| 51 seedling box |

56 Garden Tools

- 1 dibber (dibble)
- 2 spade
- 3 lawn rake (wire-tooth rake)
- 4 rake
- 5 ridging hoe
- 6 trowel
- 7 combined hoe and fork
- 8 sickle
- 9 gardener's knife (pruning knife, billhook)
- 10 asparagus cutter (asparagus knife)
- 11 tree pruner (long-handled pruner)
- 12 semi-automatic spade
- 13 three-pronged cultivator
- 14 tree scraper (bark scraper)
- 15 lawn aerator (aerator)
- 16 pruning saw (saw for cutting branches)
- 17 battery-operated hedge trimmer
- 18 motor cultivator
- 19 electric drill
- 20 gear
- 21 cultivator attachment
- 22 fruit picker
- 23 tree brush (bark brush)
- 24 sprayer for pest control
- 25 lance
- 26 hose reel (reel and carrying cart)
- 27 garden hose
- 28 motor lawn mower (motor mower)
- 29 grassbox
- 30 two-stroke motor
- 31 electric lawn mower (electric mower)
- 32 electric lead (electric cable)
- 33 cutting unit
- 34 hand mower
- 35 cutting cylinder
- 36 blade
- 37 riding mower
- 38 brake lock
- 39 electric starter
- 40 brake pedal
- 41 cutting unit
- 42 tip-up trailer
- 43 revolving sprinkler, a lawn sprinkler

- 44 revolving nozzle
- 45 hose connector
- 46 oscillating sprinkler
- 47 wheelbarrow
- 48 grass shears
- 49 hedge shears
- 50 secateurs (pruning shears)



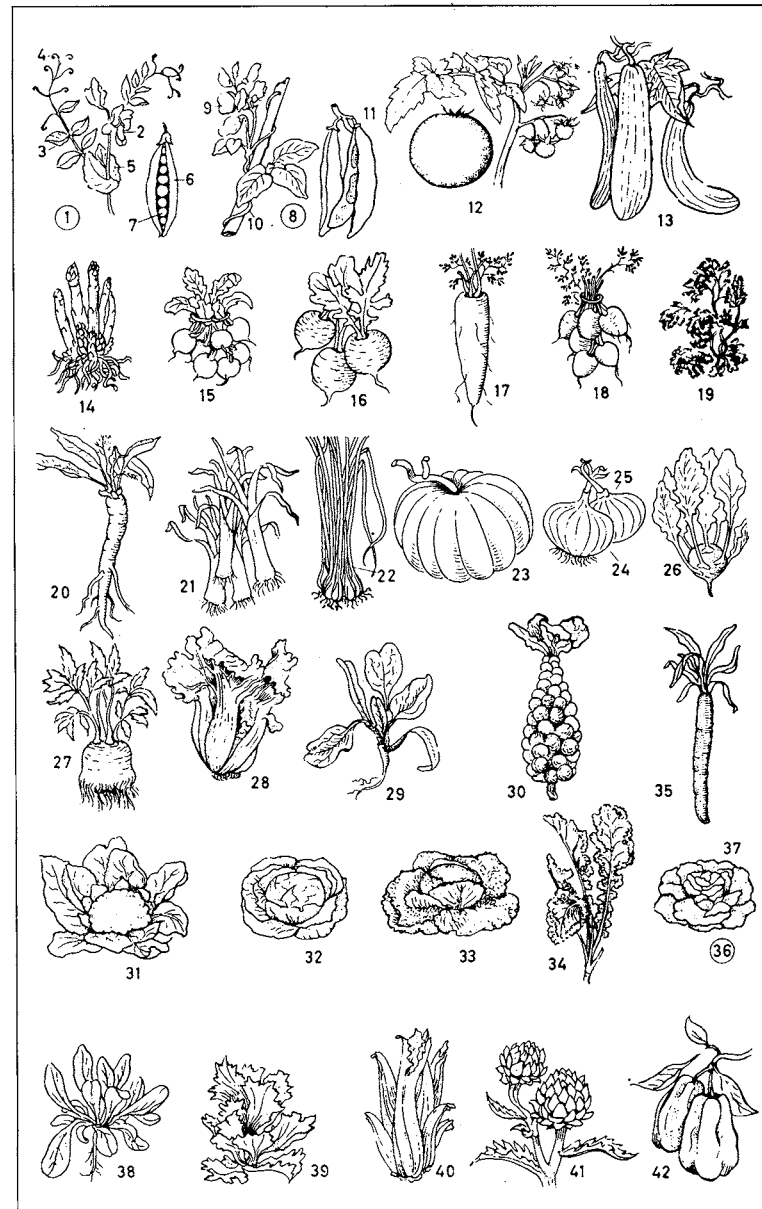
1-11 leguminous plants

(Leguminosae)

- 1 pea, a plant with a papilionaceous corolla
 2 pea flower
 3 pinnate leaf
 4 pea tendril, a leaf tendril
 5 stipule
 6 legume (pod), a seed vessel (pericarp, legume)
 7 pea [seed]
 8 bean plant (bean), a climbing plant (climber, creeper); *varieties*: broad bean (runner bean, *Am.* scarlet runner), climbing bean (climber, pole bean), scarlet runner bean; *smaller*: dwarf French bean (bush bean)

- 9 bean flower
 10 twining beanstalk
 11 bean [pod with seeds]
 12 tomato
 13 cucumber
 14 asparagus
 15 radish
 16 white radish
 17 carrot
 18 stump-rooted carrot
 19 parsley
 20 horse-radish
 21 leeks
 22 chives
 23 pumpkin (*Am.* squash); *sim.*: melon
 24 onion
 25 onion skin
 26 kohlrabi
 27 celeriac
28-34 brassicas (leaf vegetables)
 28 chard (Swiss chard, seakale beet)
 29 spinach
 30 Brussels sprouts (sprouts)
 31 cauliflower
 32 cabbage (round cabbage, head of cabbage), a brassica; *cultivated races (cultivars)*: green cabbage, red cabbage

- 33 savoy (savoy cabbage)
 34 kale (curly kale, kail), a winter green
 35 scorzonera (black salsify)
36-40 salad plants
 36 lettuce (cabbage lettuce, head of lettuce)
 37 lettuce leaf
 38 corn salad (lamb's lettuce)
 39 endive (endive leaves)
 40 chicory (succory, salad chicory)
 41 globe artichoke
 42 sweet pepper (Spanish paprika)



1-30 soft fruit (berry bushes)

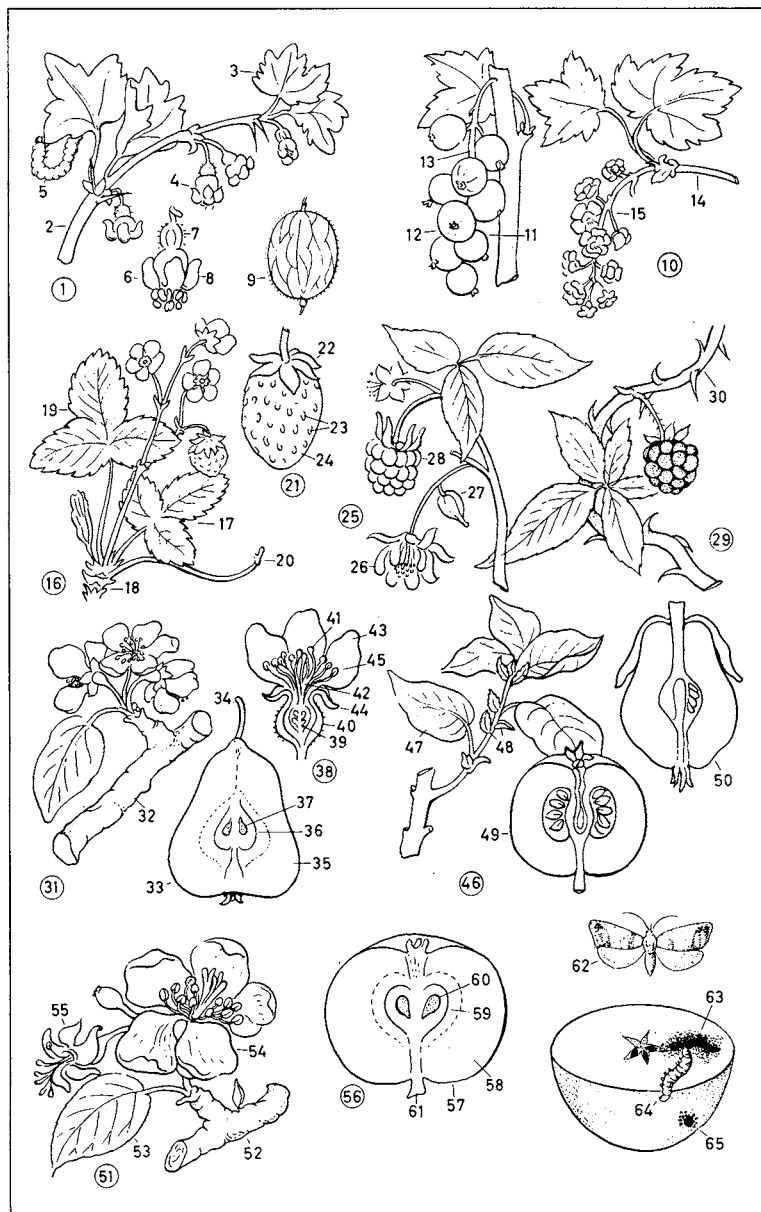
1-15 Ribes

- 1 gooseberry bush
 2 flowering gooseberry cane
 3 leaf
 4 flower
 5 magpie moth larva
 6 gooseberry flower
 7 epigynous ovary
 8 calyx (sepals)
 9 gooseberry, a berry
 10 currant bush
 11 cluster of berries
 12 currant
 13 stalk
 14 flowering cane of the currant
 15 raceme
 16 strawberry plant; *varieties*: wild strawberry (woodland strawberry), garden strawberry, alpine strawberry
 17 flowering and fruit-bearing plant
 18 rhizome
 19 ternate leaf (trifoliate leaf)
 20 runner (prostrate stem)
 21 strawberry, a pseudocarp
 22 epicalyx
 23 achene (seed)
 24 flesh (pulp)
 25 raspberry bush
 26 raspberry flower
 27 flower bud (bud)
 28 fruit (raspberry), an aggregate fruit (compound fruit)
 29 blackberry
 30 thorny tendril

31-61 pomiferous plants

- 31 pear tree; *wild*: wild pear tree
 32 flowering branch of the pear tree
 33 pear [longitudinal section]
 34 pear stalk (stalk)
 35 flesh (pulp)
 36 core (carpels)
 37 pear pip (seed), a fruit pip
 38 pear blossom
 39 ovules
 40 ovary

- 41 stigma
 42 style
 43 petal
 44 sepal
 45 stamen
 46 quince tree
 47 quince leaf
 48 stipule
 49 apple-shaped quince [longitudinal section]
 50 pear-shaped quince [longitudinal section]
 51 apple tree; *wild*: crab apple tree
 52 flowering branch of the apple tree
 53 leaf
 54 apple blossom
 55 withered flower
 56 apple [longitudinal section]
 57 apple skin
 58 flesh (pulp)
 59 core (apple core, carpels)
 60 apple pip, a fruit pip
 61 apple stalk (stalk)
 62 codling moth (codlin moth)
 63 burrow (tunnel)
 64 larva (grub, caterpillar) of a small moth
 65 wormhole



59 Drupes and Nuts

1-36 drupes (drupaceous plants)

1-18 cherry tree

1 flowering branch of the cherry tree
(branch of the cherry tree in blossom)

2 cherry leaf

3 cherry flower (cherry blossom)

4 peduncle (pedicel, flower stalk)

5 cherry; *varieties*: sweet cherry (heart cherry), wild cherry (bird cherry), sour cherry, morello cherry (morello)

6-8 cherry (cherry fruit) [cross section]

6 flesh (pulp)

7 cherry stone

8 seed

9 flower (blossom) [cross section]

10 stamen

11 petal

12 sepal

13 pistil

14 ovule enclosed in perigynous ovary

15 style

16 stigma

17 leaf

18 nectary (honey gland)

19-23 plum tree

19 fruit-bearing branch

20 oval, black-skinned plum

21 plum leaf

22 bud

23 plum stone

24 greengage

25 mirabelle (transparent gage), a plum

26-32 peach tree

26 flowering branch (branch in blossom)

27 peach flower (peach blossom)

28 flower shoot

29 young leaf (sprouting leaf)

30 fruiting branch

31 peach

32 peach leaf

33-36 apricot tree

33 flowering apricot branch (apricot

branch in blossom)

34 apricot flower (apricot blossom)

35 apricot

36 apricot leaf

37-51 nuts

37-43 walnut tree

37 flowering branch of the walnut tree

38 female flower

39 male inflorescence (male flowers, catkins with stamens)

40 alternate pinnate leaf

41 walnut, a drupe (stone fruit)

42 soft shell (cupule)

43 walnut, a drupe (stone fruit)

44-51 hazel tree (hazel bush), an anemophilous shrub (a wind-pollinating shrub)

44 flowering hazel branch

45 male catkin

46 female inflorescence

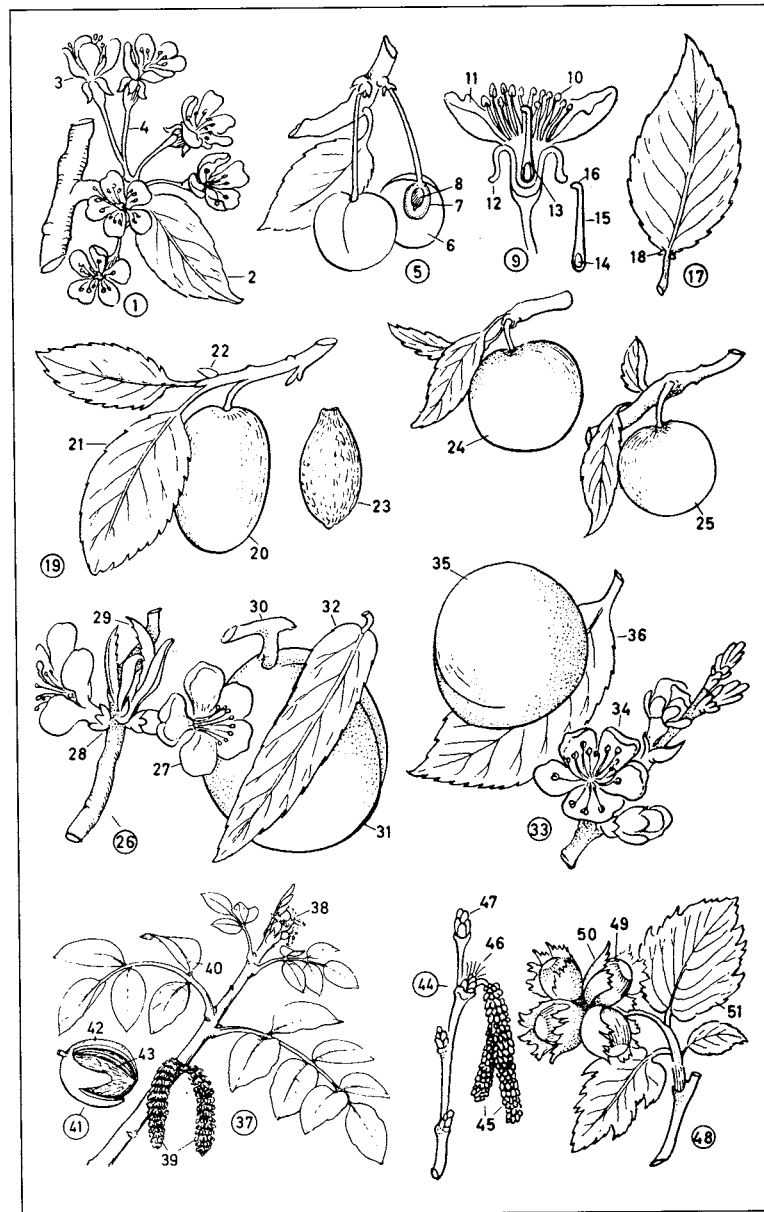
47 leaf bud

48 fruit-bearing branch

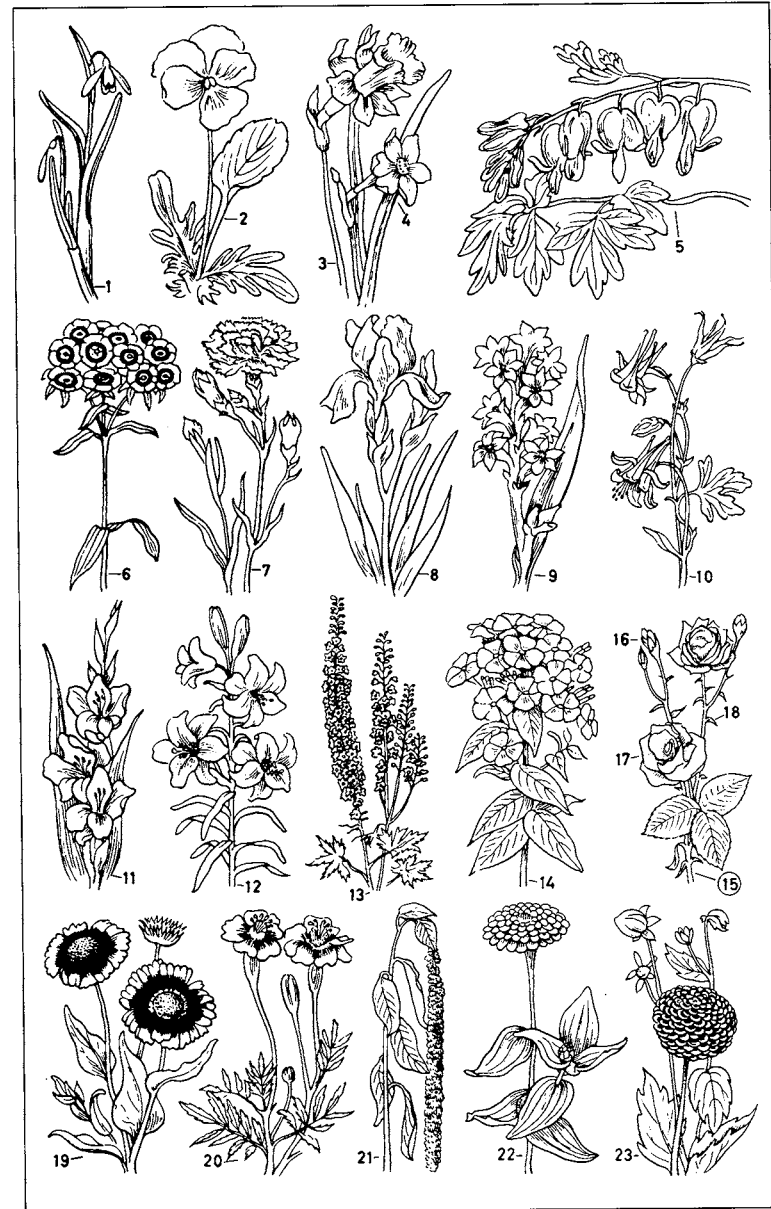
49 hazelnut (hazel, cobnut, cob), a drupe (stone fruit)

50 involucre (husk)

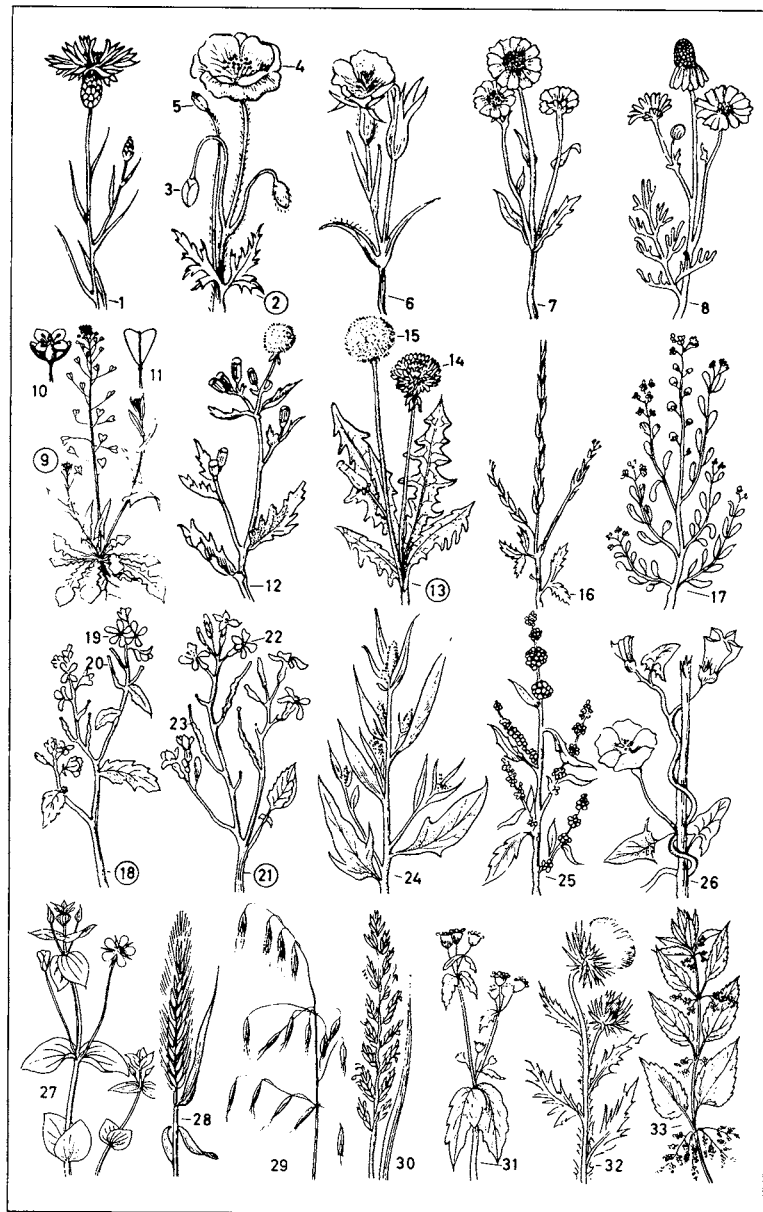
51 hazel leaf

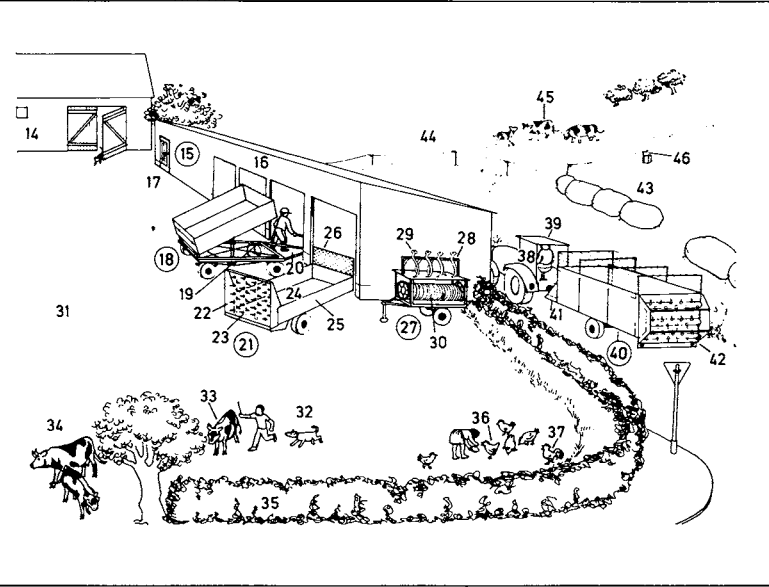
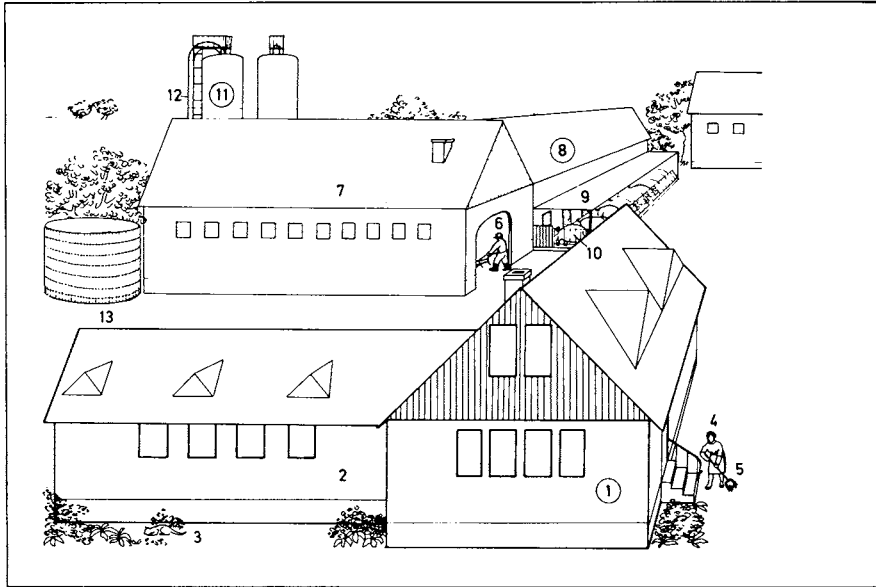


- 1 snowdrop (spring snowflake)
- 2 garden pansy (heartsease pansy), a pansy
- 3 trumpet narcissus (trumpet daffodil, Lent lily), a narcissus
- 4 poet's narcissus (pheasant's eye, poet's daffodil); *sim.*: polyanthus narcissus
- 5 bleeding heart (lyre flower), a fumariaceous flower
- 6 sweet william (bunch pink), a carnation
- 7 gillyflower (gilliflower, clove pink, clove carnation)
- 8 yellow flag (yellow water flag, yellow iris), an iris
- 9 tuberose
- 10 columbine (aquilegia)
- 11 gladiolus (sword lily)
- 12 Madonna lily (Annunciation lily, Lent lily), a lily
- 13 larkspur (delphinium), a ranunculaceous plant
- 14 moss pink (moss phlox), a phlox
- 15 garden rose (China rose)
- 16 rosebud, a bud
- 17 double rose
- 18 rose thorn, a thorn
- 19 gaillardia
- 20 African marigold (tagetes)
- 21 love-lies-bleeding, an amaranthine flower
- 22 zinnia
- 23 pompon dahlia, a dahlia



- 1 corn flower (bluebottle), a centaury
- 2 corn poppy (field poppy), a poppy
- 3 bud
- 4 poppy flower
- 5 seed capsule containing poppy seeds
- 6 corn cockle (corn campion, crown-of-the-field)
- 7 corn marigold (field marigold), a chrysanthemum
- 8 corn camomile (field camomile, camomile, chamomile)
- 9 shepherd's purse
- 10 flower
- 11 fruit (pouch-shaped pod)
- 12 common groundsel
- 13 dandelion
- 14 flower head (capitulum)
- 15 infructescence
- 16 hedge mustard, a mustard
- 17 stonecrop
- 18 wild mustard (charlock, runch)
- 19 flower
- 20 fruit, a siliqua (pod)
- 21 wild radish (jointed charlock)
- 22 flower
- 23 fruit (siliqua, pod)
- 24 common orache (common orach)
- 25 goosefoot
- 26 field bindweed (wild morning glory), a bindweed
- 27 scarlet pimpernel (shepherd's weatherglass, poor man's weather-glass, eye-bright)
- 28 wild barley (wall barley)
- 29 wild oat
- 30 common couch grass (couch, quack grass, quick grass, quitch grass, scutch grass, twitch grass, witch-grass); *sim.*: bearded couch grass, sea couch grass
- 31 gallant soldier
- 32 field eryngo (Watling Street thistle), a thistle
- 33 stinging nettle, a nettle





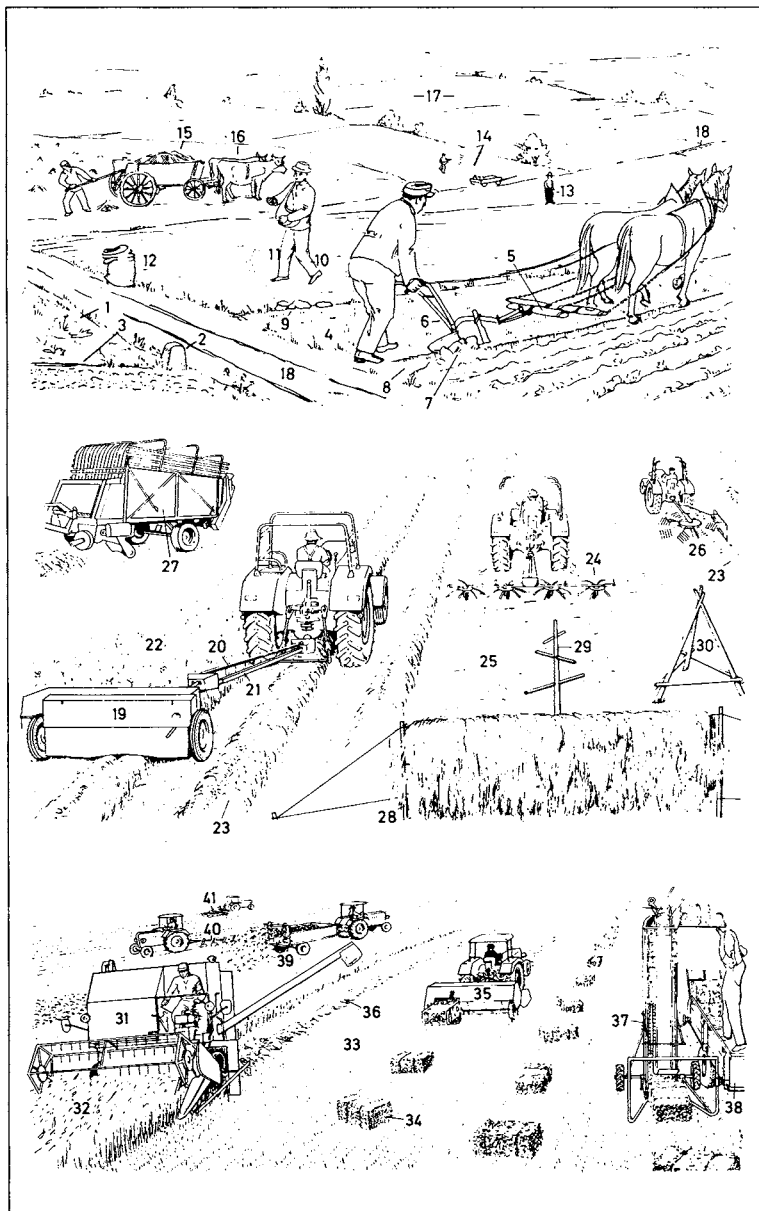
- 1 house
- 2 stable
- 3 house cat (cat)
- 4 farmer's wife
- 5 broom
- 6 farmer
- 7 cowshed
- 8 pigsty (sty, *Am.* pigpen, hogpen)
- 9 outdoor trough
- 10 pig
- 11 above-ground silo (fodder silo)
- 12 silo pipe (standpipe for filling the silo)
- 13 liquid manure silo
- 14 outhouse
- 15 machinery shed
- 16 sliding door
- 17 door to the workshop
- 18 three-way tip-cart, a transport vehicle
- 19 tipping cylinder
- 20 shafts
- 21 manure spreader (fertilizer spreader, manure distributor)
- 22 spreader unit (distributor unit)
- 23 spreader cylinder (distributor cylinder)
- 24 movable scraper floor
- 25 side planking (side board)
- 26 wire mesh front
- 27 sprinkler cart
- 28 sprinkler stand
- 29 sprinkler, a revolving sprinkler
- 30 sprinkler hoses
- 31 farmyard
- 32 watchdog
- 33 calf
- 34 dairy cow (milch-cow, milker)
- 35 farmyard hedge
- 36 chicken
- 37 cock (*Am.* rooster)
- 38 tractor
- 39 tractor driver
- 40 all-purpose trailer

- 41 [folded] pick-up attachment
- 42 unloading unit
- 43 polythene silo, a fodder silo
- 44 meadow
- 45 grazing cattle
- 46 electrified fence

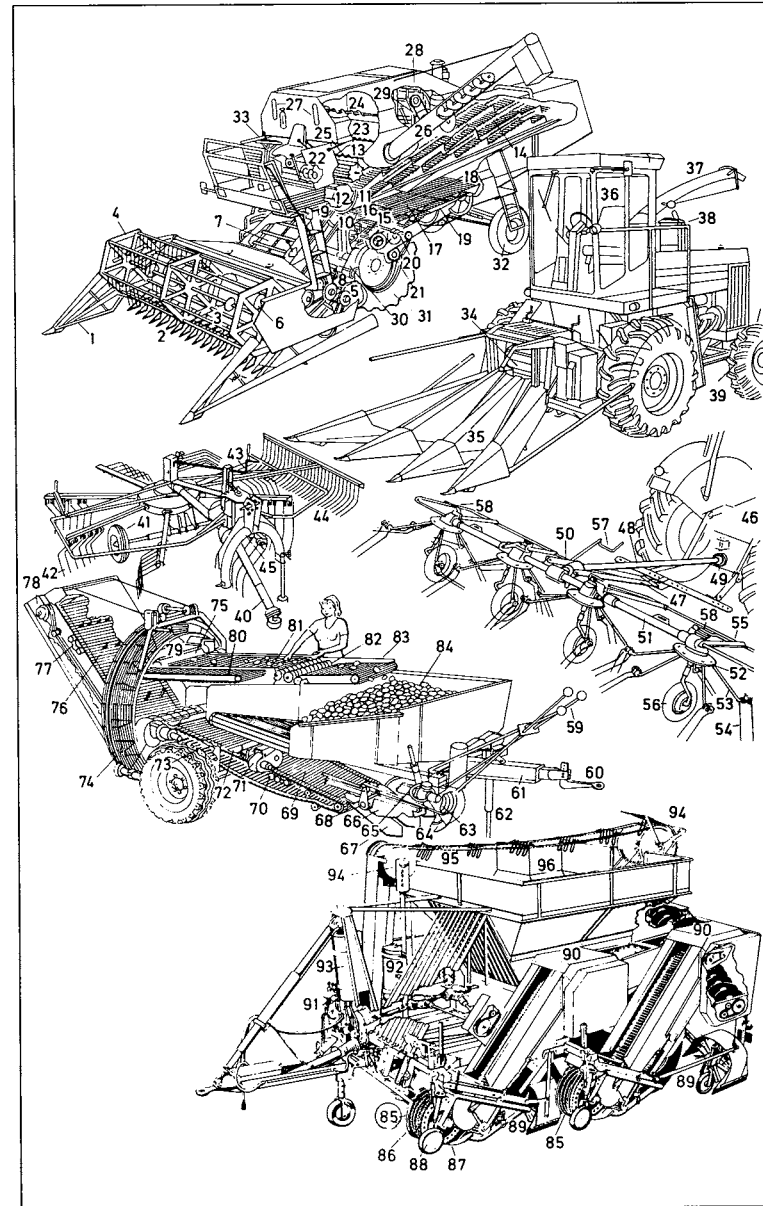
1-41 work in the fields

- 1 fallow (fallow field, fallow ground)
- 2 boundary stone
- 3 boundary ridge, a balk (balk)
- 4 field
- 5 swingletree (*Am.* whiffletree, whippetree)
- 6 plough (*Am.* plow)
- 7 clod
- 8 furrow
- 9 stone
- 10-12 sowing
- 10 sower
- 11 seedlip
- 12 seed corn (seed)
- 13 field guard
- 14 chemical fertilizer (artificial fertilizer); *kinds*: potash fertilizer, phosphoric acid fertilizer, lime fertilizer, nitrogen fertilizer
- 15 cartload of manure (farmyard manure, dung)
- 16 oxteam (team of oxen, *Am.* span of oxen)
- 17 fields (farmland)
- 18 farm track (farm road)
- 19-30 hay harvest (haymaking)
- 19 rotary mower with swather (swath reaper)
- 20 connecting shaft (connecting rod)
- 21 power take-off (power take-off shaft)
- 22 meadow
- 23 swath (swathe)
- 24 tedder (rotary tedder)
- 25 teded hay
- 26 rotary swather
- 27 trailer with pick-up attachment
- 28 fence rack (rickstand), a drying rack for hay
- 29 rickstand, a drying rack for hay
- 30 hay tripod
- 31-41 grain harvest and seedbed preparation
- 31 combine harvester
- 32 cornfield
- 33 stubble field

- 34 bale of straw
- 35 straw baler (straw press), a high-pressure baler
- 36 swath (swathe) of straw (windrow of straw)
- 37 hydraulic bale loader
- 38 trailer
- 39 manure spreader
- 40 four-furrow plough (*Am.* plow)
- 41 combination seed-harrow

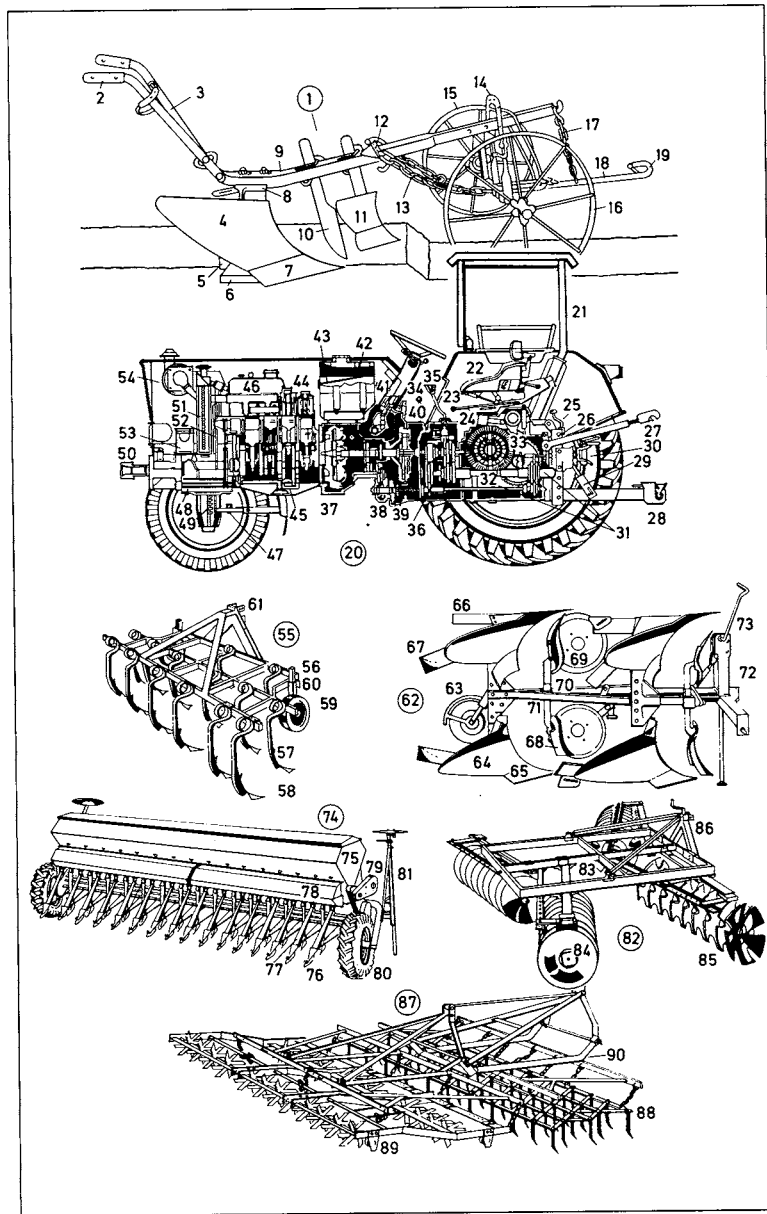


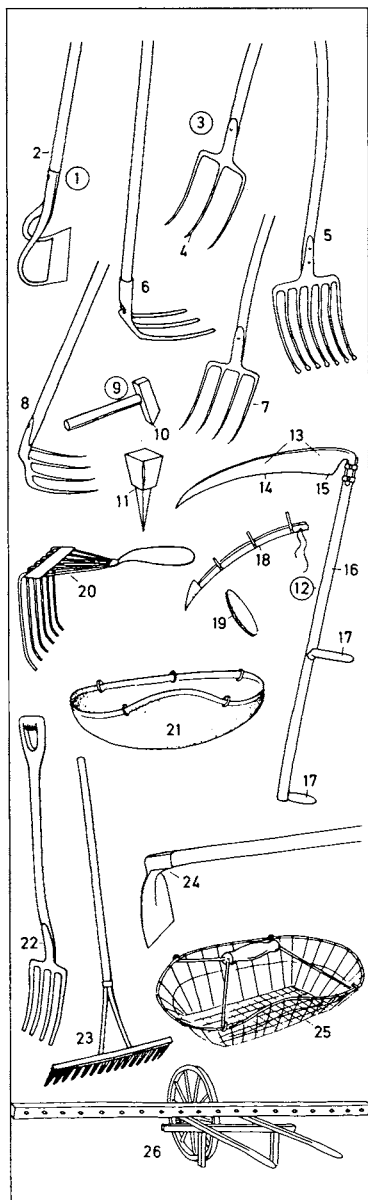
- 1-33 combine harvester (combine)**
 1 divider
 2 grain lifter
 3 cutter bar
 4 pick-up reel, a spring-tine reel
 5 reel gearing
 6 auger
 7 chain and slat elevator
 8 hydraulic cylinder for adjusting the cutting unit
 9 stone catcher (stone trap)
 10 awner
 11 concave
 12 threshing drum (drum)
 13 revolving beater [for freeing straw from the drum and preparing it for the shakers]
 14 straw shaker (strawwalker)
 15 fan for compressed-air winnowing
 16 preparation level
 17 louvred-type sieve
 18 sieve extension
 19 shoe sieve (reciprocating sieve)
 20 grain auger
 21 tailings auger
 22 tailings outlet
 23 grain tank
 24 grain tank auger
 25 augers feeding to the grain tank unloader
 26 grain unloader spout
 27 observation ports for checking tank contents
 28 six-cylinder diesel engine
 29 hydraulic pump with oil reservoir
 30 driving axle gearing
 31 driving wheel tyre (*Am. tire*)
 32 rubber-tyred (*Am. rubber-tired*) wheel on the steering axle
 33 driver's position
34-39 self-propelled forage harvester (self-propelled field chopper)
 34 cutting drum (chopper drum)
 35 corn head
 36 cab (driver's cab)
 37 swivel-mounted spout (discharge pipe)
 38 exhaust
 39 rear-wheel steering system
40-45 rotary swather
 40 cardan shaft
 41 running wheel
 42 double spring tine
 43 crank
 44 swath rake
 45 three-point linkage
46-58 rotary tedder
 46 tractor
 47 draw bar
 48 cardan shaft
 49 power take-off (power take-off shaft)
 50 gearing (gears)
 51 frame bar
 52 rotating head
 53 tine bar
 54 double spring tine
 55 guard rail
 56 running wheel
 57 height adjustment crank
 58 wheel adjustment
59-84 potato harvester
 59 control levers for the lifters of the digger and the hopper and for adjusting the shaft
 60 adjustable hitch
 61 drawbar
 62 drawbar support
 63 cardan shaft connection
 64 press roller
 65 gearing (gears) for the hydraulic system
 66 disc (disk) coulter (*Am. colter*) (rolling coulter)
 67 three-bladed share
 68 disc (disk) coulter (*Am. colter*) drive
 69 open-web elevator
 70 agitator
 71 multi-step reduction gearing
 72 feeder
 73 haulm stripper (flail rotor)
 74 rotary elevating drum
 75 mechanical tumbling separator
 76 haulm conveyor with flexible haulm strippers
 77 haulm conveyor agitator
 78 haulm conveyor drive with V-belt
 79 studded rubber belt for sorting vines, clods and stones
 80 trash conveyor
 81 sorting table
 82 rubber-disc (rubber-disc) rollers for presorting
 83 discharge conveyor
 84 endless-floor hopper
85-96 beet harvester
 85 topper
 86 feeler
 87 topping knife
 88 feeler support wheel with depth adjustment
 89 beet cleaner
 90 haulm elevator
 91 hydraulic pump
 92 compressed-air reservoir
 93 oil tank (oil reservoir)
 94 tensioning device for the beet elevator
 95 beet elevator belt
 96 beet hopper



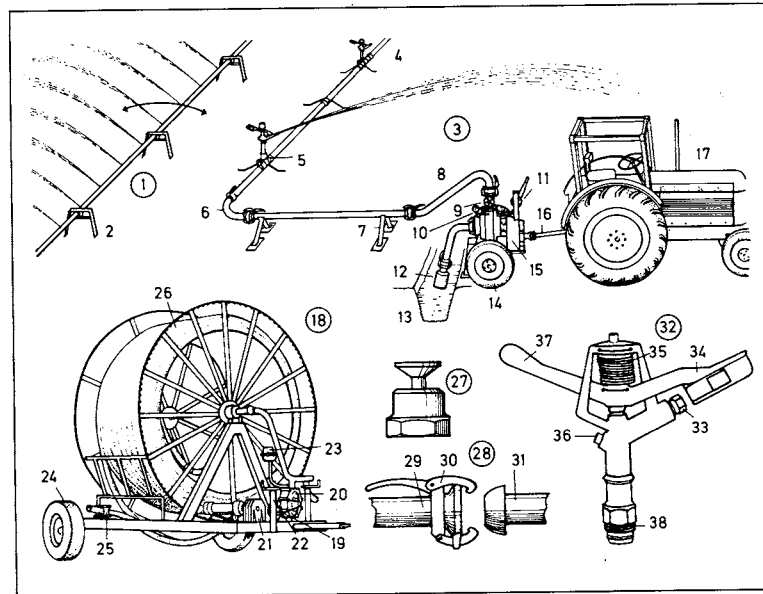
- 1 wheel plough (*Am. plow*), a single-bottom plough [*form.*]
 2 handle
 3 plough (*Am. plow*) stilt (plough handle)
 4-8 plough (*Am. plow*) bottom
 4 mouldboard (*Am. moldboard*)
 5 landside
 6 sole (slade)
 7 ploughshare (share, *Am. plowshare*)
 8 frog (frame)
 9 beam (plough beam, *Am. plowbeam*)
 10 knife coulter (*Am. colter*), a coulter
 11 skim coulter (*Am. colter*)
 12 guide-chain crossbar
 13 guide chain
 14-19 forecarriage
 14 adjustable yoke
 15 land wheel
 16 furrow wheel
 17 hake chain
 18 draught beam (drawbar)
 19 hake
 20 tractor (general-purpose tractor)
 21 cab frame (roll bar)
 22 seat
 23 power take-off gear-change (gearshift)
 24-29 power lift
 24 ram piston
 25 lifting rod adjustment
 26 drawbar frame
 27 top link
 28 lower link
 29 lifting rod
 30 drawbar coupling
 31 live power take-off (live power take-off shaft, take-off shaft)
 32 differential gear (differential)
 33 floating axle
 34 torque converter lever
 35 gear-change (gearshift)
 36 multi-speed transmission
 37 fluid clutch (fluid drive)
 38 power take-off gear
 39 main clutch
 40 power take-off gear-change (gearshift) with power take-off clutch
 41 hydraulic power steering and reversing gears
 42 fuel tank
 43 float lever
 44 four-cylinder diesel engine
 45 oil sump and pump for the pressure-feed lubrication system

- 46 fresh oil tank
 47 track rod (*Am. tie rod*)
 48 front axle pivot pin
 49 front axle suspension
 50 front coupling (front hitch)
 51 radiator
 52 fan
 53 battery
 54 oil bath air cleaner (oil bath air filter)
 55 cultivator (grubber)
 56 sectional frame
 57 spring tine
 58 share, a diamond-shaped share (*sim.*: chisel-shaped share)
 59 depth wheel
 60 depth adjustment
 61 coupling (hitch)
 62 reversible plough (*Am. plow*), a mounted plough
 63 depth wheel
 64-67 plough (*Am. plow*) bottom, a general-purpose plough bottom
 64 mouldboard (*Am. moldboard*)
 65 ploughshare (share, *Am. plowshare*), a pointed share
 66 sole (slade)
 67 landside
 68 skim coulter (*Am. colter*)
 69 disc (disk) coulter (*Am. colter*) (rolling coulter)
 70 plough (*Am. plow*) frame
 71 beam (plough beam, *Am. plowbeam*)
 72 three-point linkage
 73 swivel mechanism
 74 drill
 75 seed hopper
 76 drill coulter (*Am. colter*)
 77 delivery tube, a telescopic tube
 78 feed mechanism
 79 gearbox
 80 drive wheel
 81 track indicator
 82 disc (disk) harrow, a semimounted implement
 83 discs (disks) in X-configuration
 84 plain disc (disk)
 85 serrated-edge disc (disk)
 86 quick hitch
 87 combination seed-harrow
 88 three-section spike-tooth harrow
 89 three-section rotary harrow
 90 frame





- 1 draw hoe (garden hoe)
- 2 hoe handle
- 3 three-pronged (three-tined) hay fork (fork)
- 4 prong (tine)
- 5 potato fork
- 6 potato hook
- 7 four-pronged (four-tined) manure fork (fork)
- 8 manure hoe
- 9 whetting hammer [for scythes]
- 10 peen (pane)
- 11 whetting anvil [for scythes]
- 12 scythe
- 13 scythe blade
- 14 cutting edge
- 15 heel
- 16 snath (snathe, snead, sneath)
- 17 handle
- 18 scythe sheath
- 19 whetstone (scythestone)
- 20 potato rake
- 21 potato planter
- 22 digging fork (fork)
- 23 wooden rake (rake, hayrake)
- 24 hoe (potato hoe)
- 25 potato basket, a wire basket
- 26 clover broadcaster



- | | |
|---|--|
| 1 oscillating spray line | 20 turbine |
| 2 stand (steel chair) | 21 gearing (gears) |
| 3 portable irrigation system | 22 adjustable support |
| 4 revolving sprinkler | 23 centrifugal evacuating pump |
| 5 standpipe coupler | 24 wheel |
| 6 elbow with cardan joint (cardan coupling) | 25 pipe support |
| 7 pipe support (trestle) | 26 polyester pipe |
| 8 pump connection | 27 sprinkler nozzle |
| 9 delivery valve | 28 quick-fitting pipe connection with cardan joint |
| 10 pressure gauge (<i>Am. gage</i>) (manometer) | 29 M-cardan |
| 11 centrifugal evacuating pump | 30 clamp |
| 12 basket strainer | 31 V-cardan |
| 13 channel | 32 revolving sprinkler, a field sprinkler |
| 14 chassis of the p.t.o.-driven pump (power take-off-driven pump) | 33 nozzle |
| 15 p.t.o.-driven (power take-off-driven) pump | 34 breaker |
| 16 cardan shaft | 35 breaker spring |
| 17 tractor | 36 stopper |
| 18 long-range irrigation unit | 37 counterweight |
| 19 drive connection | 38 thread |

1-47 arable crops (agricultural produce, farm produce)

1-37 varieties of grain (grain, cereals, farinaceous plants, bread-corn)

1 rye (*also*: corn, 'corn' often meaning the main cereal of a country or region; in Northern Germany: rye; in Southern Germany and Italy: wheat; in Sweden: barley; in Scotland: oats; in North America: maize; in China: rice)

2 ear of rye, a spike (head)

3 spikelet

4 ergot, a grain deformed by fungus [shown with mycelium]

5 corn stem after tillering

6 culm (stalk)

7 node of the culm

8 leaf (grain leaf)

9 leaf sheath (sheath)

10 spikelet

11 glume

12 awn (beard, arista)

13 seed (grain, kernel, farinaceous grain)

14 embryo plant

15 seed

16 embryo

17 root

18 root hair

19 grain leaf

20 leaf blade (blade, lamina)

21 leaf sheath

22 ligule (ligula)

23 wheat

24 spelt

25 seed; *unripe*: green spelt, a soup vegetable

26 barley

27 oat panicle, a panicle

28 millet

29 rice

30 rice grain

31 maize (Indian corn, *Am.* corn); *varieties*: popcorn, dent corn, flint corn (flint maize, *Am.* Yankee corn), pod corn (*Am.* cow corn, husk corn), soft corn (*Am.* flour corn, squaw corn), sweet corn

32 female inflorescence

33 husk (shuck)

34 style

35 male inflorescence (tassel)

36 maize cob (*Am.* corn cob)

37 maize kernel (grain of maize)

38-45 root crops

38 potato plant (potato), a tuberous plant; *varieties*: round, round-oval (pear-shaped), flat-oval, long, kidney-shaped potato; *according to colour*: white (*Am.* Irish), yellow, red, purple potato

39 seed potato (seed tuber)

40 potato tuber (potato, tuber)

41 potato top (potato haulm)

42 flower

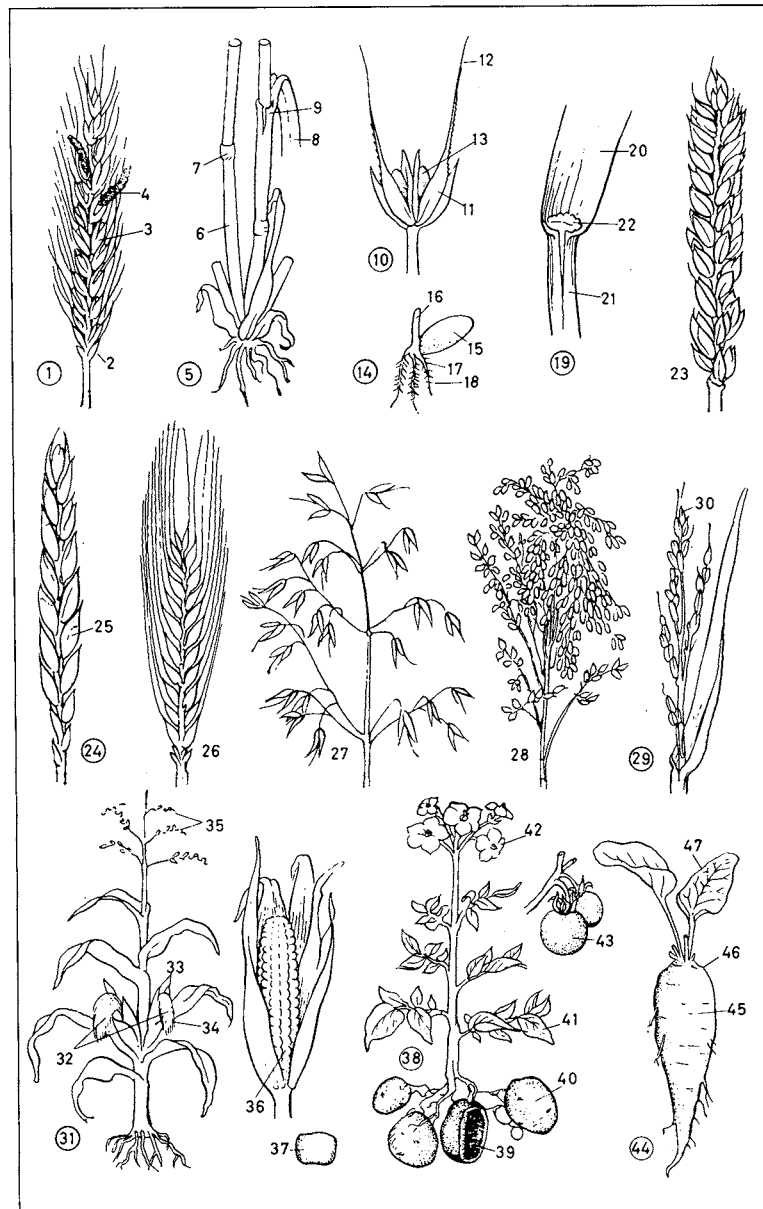
43 poisonous potato berry (potato apple)

44 sugar beet, a beet

45 root (beet)

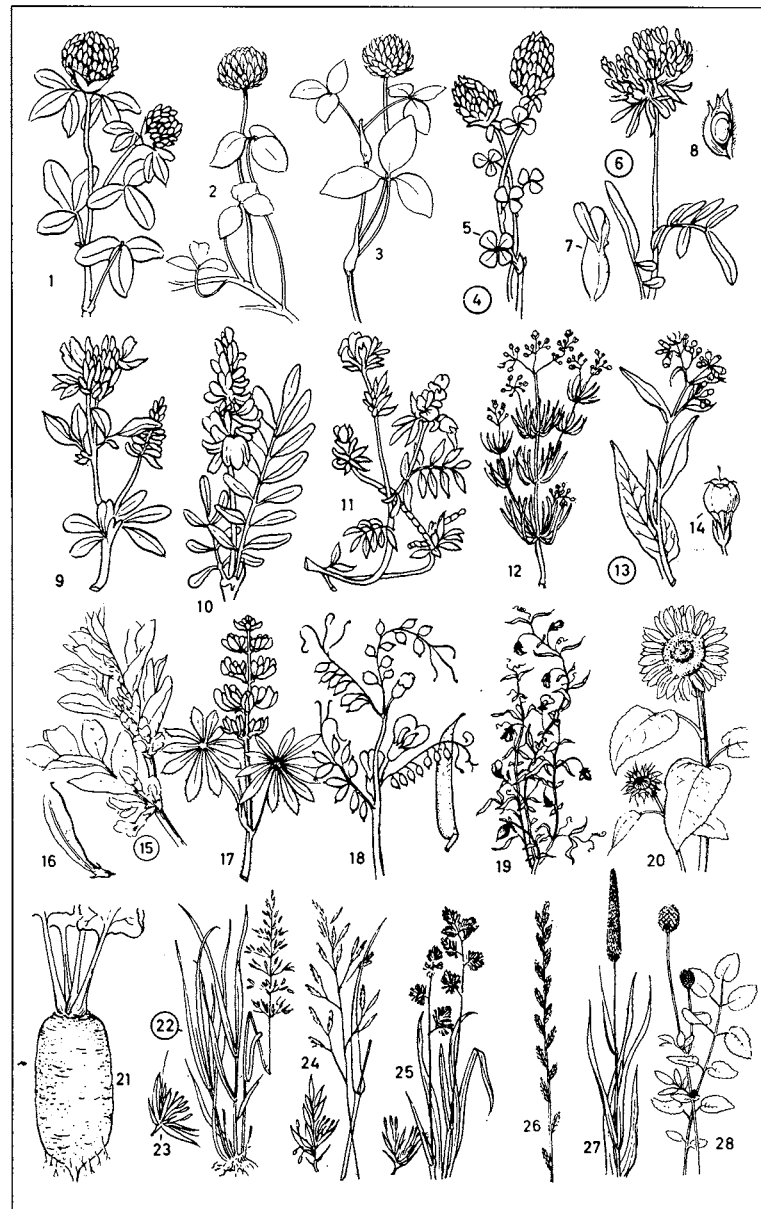
46 beet top

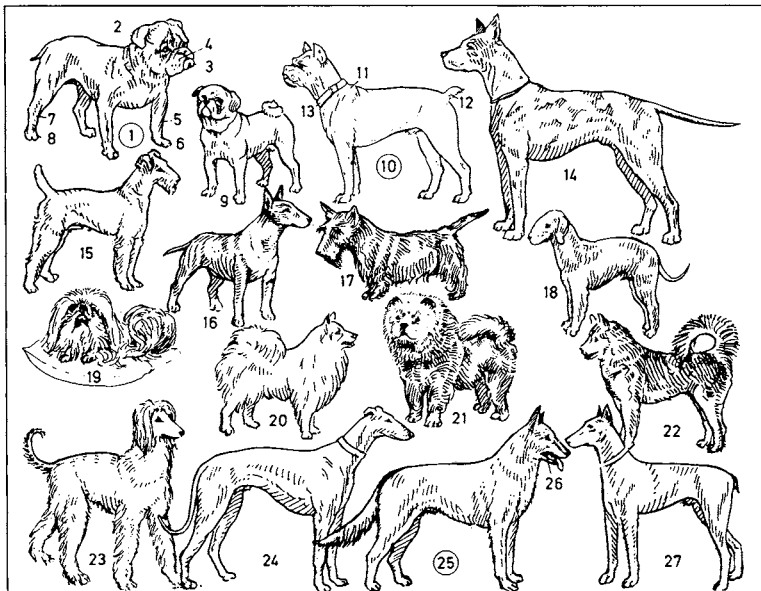
47 beet leaf



1-28 fodder plants (forage plants) for tillage

- 1 red clover (purple clover)
- 2 white clover (Dutch clover)
- 3 alsike clover (alsike)
- 4 crimson clover
- 5 four-leaf (four-leaved) clover
- 6 kidney vetch (lady's finger, lady-finger)
- 7 flower
- 8 pod
- 9 lucerne (lucerne, purple medick)
- 10 sainfoin (cock's head, cockshead)
- 11 bird's foot (bird-foot, bird's foot trefoil)
- 12 corn spurrey (spurrey, spurry), a spurrey (spurry)
- 13 common comfrey, one of the borage family (Boraginaceae)
- 14 flower (blossom)
- 15 field bean (broad bean, tick bean, horse bean)
- 16 pod
- 17 yellow lupin
- 18 common vetch
- 19 chick-pea
- 20 sunflower
- 21 mangold (mangelwurzel, mangold-wurzel, field mangel)
- 22 false oat (oat-grass)
- 23 spikelet
- 24 meadow fescue grass, a fescue
- 25 cock's foot (cocksfoot)
- 26 Italian ryegrass; *sim.*: perennial ryegrass (English ryegrass)
- 27 meadow foxtail, a paniculate grass
- 28 greater burnet saxifrage



**1-14 mastiffs**

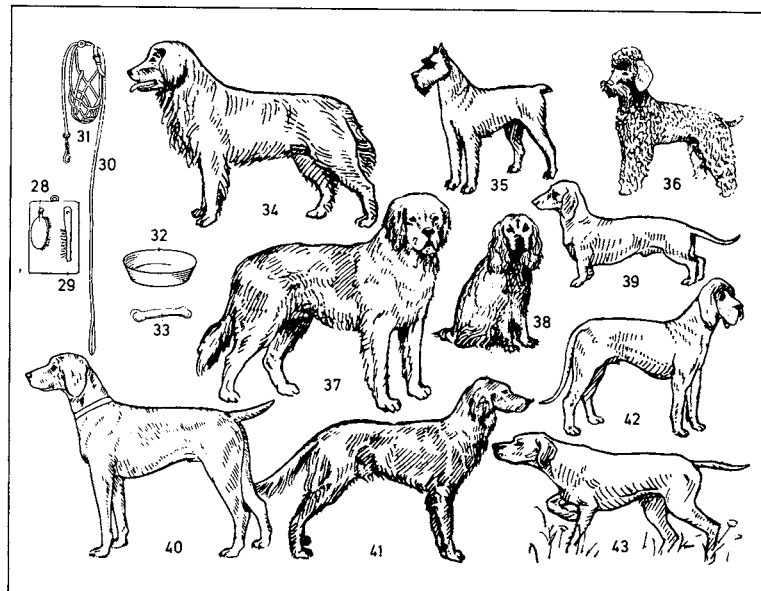
- 1 bulldog
- 2 ear, a rose-ear
- 3 muzzle
- 4 nose
- 5 foreleg
- 6 forepaw
- 7 hind leg
- 8 hind paw
- 9 pug (pug dog)
- 10 boxer
- 11 withers
- 12 tail, a docked tail
- 13 collar
- 14 Great Dane

15-18 terriers

- 15 wire-haired fox terrier
- 16 bull terrier
- 17 Scotch terrier (Scottish terrier)
- 18 Bedlington terrier
- 19 Pekinese (Pekingese, Pekinese dog, Pekingese dog)

20-22 spitzes

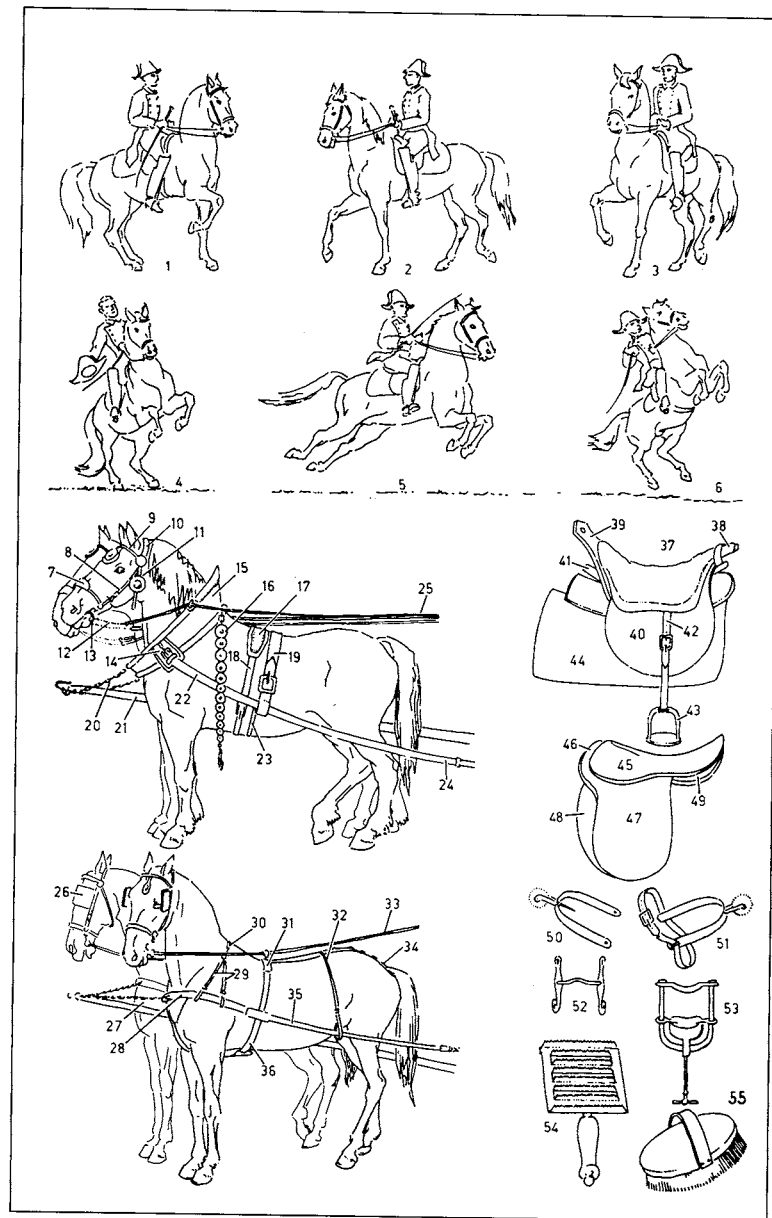
- 20 spitz (Pomeranian)
- 21 chow (chow-chow)
- 22 husky
- 23, 24 greyhounds (*Am.* grayhounds)
- 23 Afghan (Afghan hound)
- 24 greyhound (*Am.* grayhound), a courser
- 25 Alsatian (German sheepdog, *Am.* German shepherd), a police dog, watch dog, and guide dog
- 26 flews (chaps)
- 27 Dobermann terrier

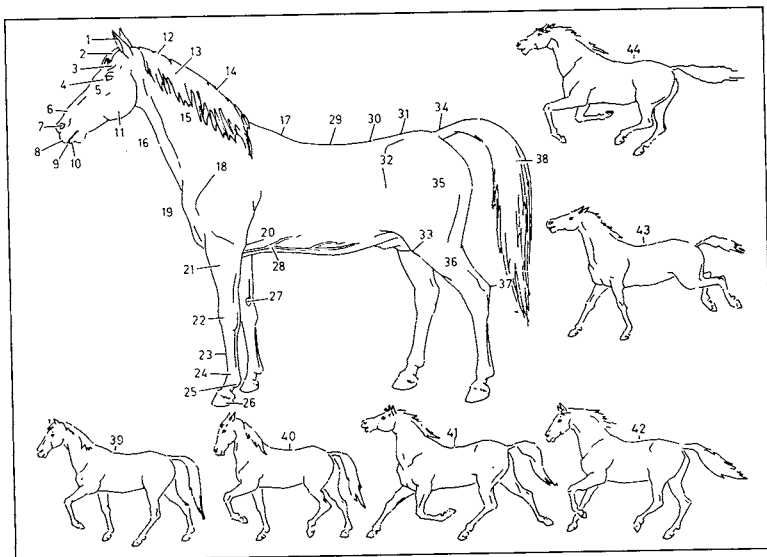


- 28 dog brush
- 29 dog comb
- 30 lead (dog lead, leash); *for hunting:* leash
- 31 muzzle
- 32 feeding bowl (dog bowl)
- 33 bone
- 34 Newfoundland dog
- 35 schnauzer
- 36 poodle; *sim. and smaller:* pygmy (pigmy) poodle
- 37 St. Bernard (St. Bernard dog)
- 38-43 hunting dogs
- 38 cocker spaniel
- 39 dachshund, a terrier
- 40 German pointer
- 41 English setter
- 42 trackhound
- 43 pointer, a trackhound

- 1-6 **equitation** (high school riding, haute école)
 1 piaffe
 2 walk
 3 passage
 4 levade (pesade)
 5 capriole
 6 courbette (curvet)
 7-25 **harness**
 7-13, 25 **bridle**
 7-11 **headstall** (headpiece, halter)
 7 noseband
 8 cheek piece (cheek strap)
 9 browband (front band)
 10 crownpiece
 11 throatlatch (throatlash)
 12 curb chain
 13 curb bit
 14 hasp (hook) of the hame (*Am.* drag hook)
 15 pointed collar, a collar
 16 trappings (side trappings)
 17 saddle-pad
 18 girth
 19 backband
 20 shaft chain (pole chain)
 21 pole
 22 trace
 23 second girth (emergency girth)
 24 trace
 25 reins (*Am.* lines)
 26-36 **breast harness**
 26 blinker (*Am.* blinder, winker)
 27 breast collar ring
 28 breast collar (Dutch collar)
 29 fork
 30 neck strap
 31 saddle-pad
 32 loin strap
 33 reins (rein, *Am.* line)
 34 crupper (crupper-strap)
 35 trace
 36 girth (belly-band)
 37-49 **saddles**
 37-44 **stock saddle** (*Am.* western saddle)
 37 saddle seat

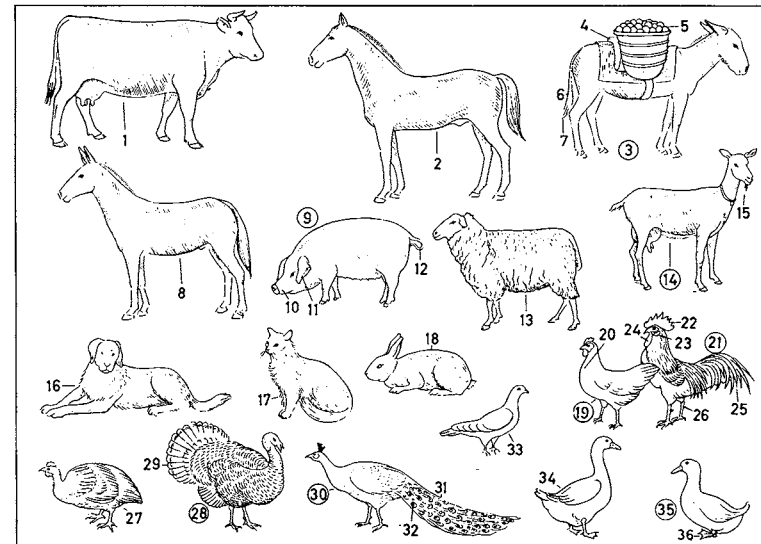
- 38 pommel horn (horn)
 39 cantle
 40 flap (*Am.* fender)
 41 bar
 42 stirrup leather
 43 stirrup (stirrup iron)
 44 blanket
 45-49 **English saddle** (cavalry saddle)
 45 seat
 46 cantle
 47 flap
 48 roll (knee roll)
 49 pad
 50, 51 **spurs**
 50 box spur (screwed jack spur)
 51 strapped jack spur
 52 curb bit
 53 gag bit (gag)
 54 currycomb
 55 horse brush (body brush, dandy brush)



**1-38 points of the horse****1-11 head (horse's head)**

- 1 ear
- 2 forelock
- 3 forehead
- 4 eye
- 5 face
- 6 nose
- 7 nostril
- 8 upper lip
- 9 mouth
- 10 underlip (lower lip)
- 11 lower jaw
- 12 crest (neck)
- 13 mane (horse's mane)
- 14 crest (horse's crest)
- 15 neck
- 16 throat (*Am.* throatlatch, throat-lash)
- 17 withers
- 18-27 forehand**
- 18 shoulder
- 19 breast
- 20 elbow
- 21 forearm
- 22-26 forefoot**
- 22 knee (carpus, wrist)

- 23 cannon
- 24 fetlock
- 25 pastern
- 26 hoof
- 27 chestnut (castor), a callosity
- 28 spur vein
- 29 back
- 30 loins (lumbar region)
- 31 croup (rump, crupper)
- 32 hip
- 33-37 hind leg**
- 33 stifle (stifle joint)
- 34 root (dock) of the tail
- 35 haunch
- 36 gaskin
- 37 hock
- 38 tail
- 39-44 gaits of the horse**
- 39 walk
- 40 pace
- 41 trot
- 42 canter (hand gallop)
- 43, 44 full gallop
- 43 full gallop at the moment of descent on to the two forefeet
- 44 full gallop at the moment when all four feet are off the ground

**Abbreviations:**

m. = male; *c.* = castrated;

f. = female; *y.* = young

1-8 cattle and horses

- 1 cow, a ruminant; *m.* bull; *c.* ox; *f.* cow; *y.* calf
- 2 horse; *m.* stallion; *c.* gelding; *f.* mare; *y.* foal
- 3 donkey
- 4 pack saddle (carrying saddle)
- 5 pack (load)
- 6 tufted tail
- 7 tuft
- 8 mule, a cross between a male donkey and a mare
- 9 pig, a cloven-hoofed animal; *m.* boar; *f.* sow; *y.* piglet
- 10 pig's snout (snout)
- 11 pig's ear
- 12 curly tail
- 13 sheep; *m.* ram; *c.* wether; *f.* ewe; *y.* lamb
- 14 goat
- 15 goat's beard
- 16 dog, a Leonberger; *m.* dog; *f.* bitch; *y.* pup (puppy, whelp)

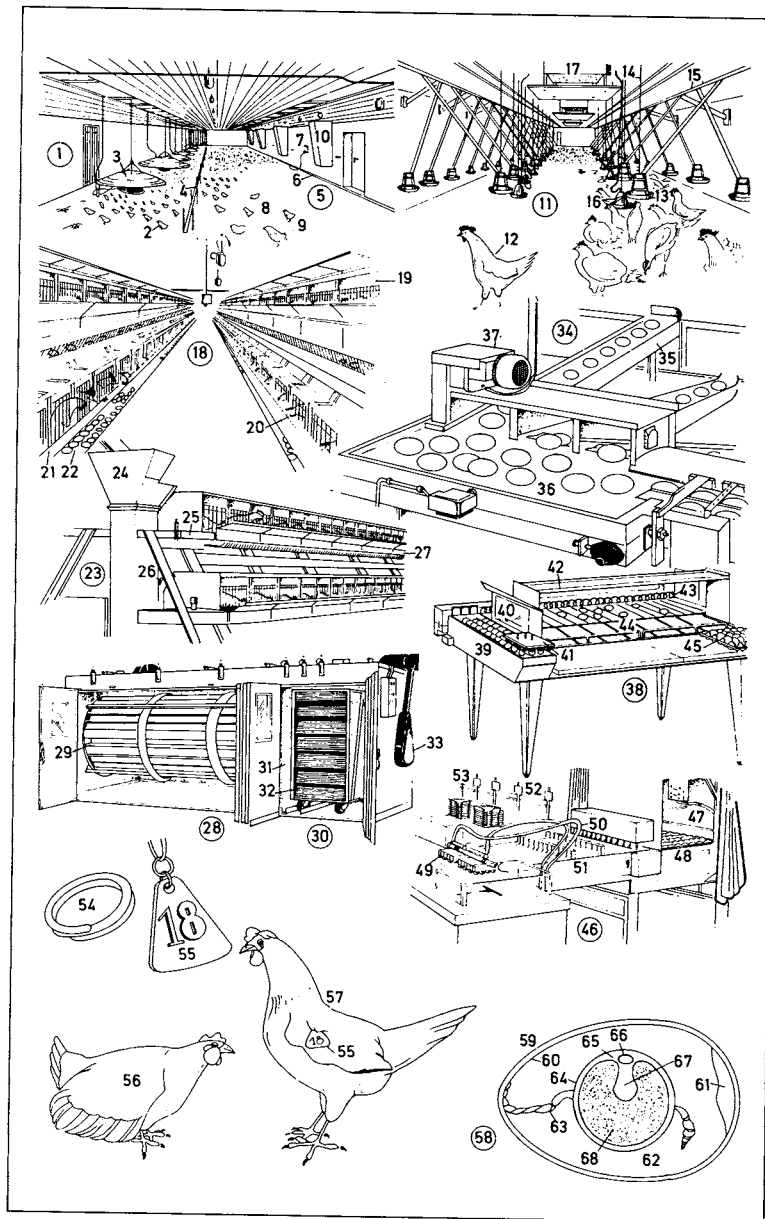
17 cat, an Angora cat (Persian cat); *m.* tom (tom cat)

18-36 small domestic animals

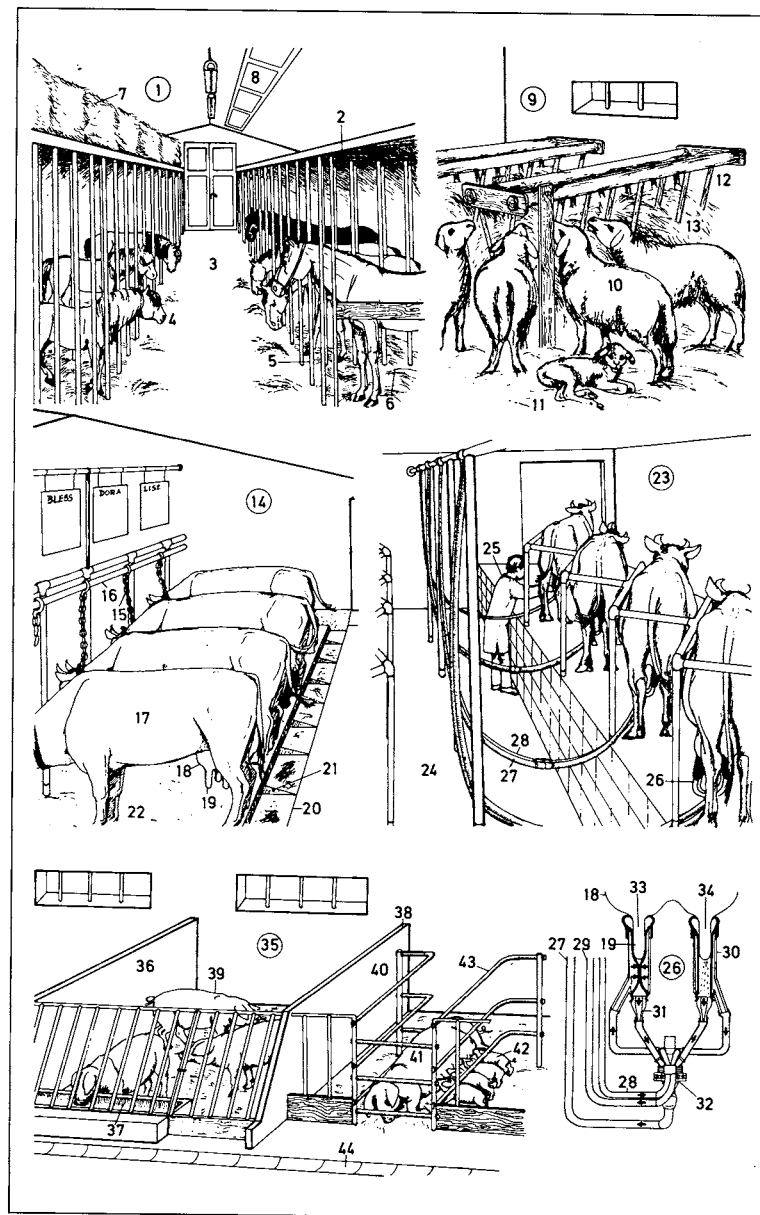
- 18 rabbit; *m.* buck; *f.* doe
- 19-36 poultry (domestic fowl)**
- 19-26 chicken**
- 19 hen
- 20 crop (crop)
- 21 cock (*Am.* rooster); *c.* capon
- 22 cockscomb (comb, crest)
- 23 lap
- 24 wattle (gill, dewlap)
- 25 falcate (falcated) tail
- 26 spur
- 27 guinea fowl
- 28 turkey; *m.* turkey cock (gobbler); *f.* turkey hen
- 29 fan tail
- 30 peacock
- 31 peacock's feather
- 32 eye (ocellus)
- 33 pigeon; *m.* cock pigeon
- 34 goose; *m.* gander; *y.* gosling
- 35 duck; *m.* drake; *y.* duckling
- 36 web (palmations) of webbed foot (palmate foot)

- 1-27 poultry farming (intensive poultry management)
- 1-17 straw yard (strawed yard) system
- 1 fold unit for growing stock (chick unit)
- 2 chick
- 3 brooder (hover)
- 4 adjustable feeding trough
- 5 pullet fold unit
- 6 drinking trough
- 7 water pipe
- 8 litter
- 9 pullet
- 10 ventilator
- 11-17 broiler rearing (rearing of broiler chickens)
- 11 chicken run (*Am.* fowl run)
- 12 broiler chicken (broiler)
- 13 mechanical feeder (self-feeder, feed dispenser)
- 14 chain
- 15 feed supply pipe
- 16 mechanical drinking bowl (mechanical drinker)
- 17 ventilator
- 18 battery system (cage system)
- 19 battery (laying battery)
- 20 tiered cage (battery cage, stepped cage)
- 21 feeding trough
- 22 egg collection by conveyor
- 23-27 mechanical feeding and dunging (manure removal, droppings removal)
- 23 rapid feeding system for battery feeding (mechanical feeder)
- 24 feed hopper
- 25 endless-chain feed conveyor (chain feeder)
- 26 water pipe (liquid feed pipe)
- 27 dunging chain (dunging conveyor)
- 28 setting and hatching machine
- 29 ventilation drum [for the setting compartment]
- 30 hatching compartment (hatcher)
- 31 metal trolley for hatching trays

- 32 hatching tray
- 33 ventilation drum motor
- 34-53 egg productions
- 34 egg collection system (egg collection)
- 35 multi-tier transport
- 36 collection by pivoted fingers
- 37 drive motor
- 38 sorting machine
- 39 conveyor trolley
- 40 fluorescent screen
- 41 suction apparatus (suction box) for transporting eggs
- 42 shelf for empty and full egg boxes
- 43 egg weighers
- 44 grading
- 45 egg box
- 46 fully automatic egg-packing machine
- 47 radioscope box
- 48 radioscope table
- 49-51 feeder
- 49 suction transporter
- 50 vacuum line
- 51 supply table
- 52 automatic counting and grading
- 53 packing box dispenser
- 54 leg ring
- 55 wing tally (identification tally)
- 56 bantam
- 57 laying hen
- 58 hen's egg (egg)
- 59 eggshell, an egg integument
- 60 shell membrane
- 61 air space
- 62 white [of the egg] (albumen)
- 63 chalaza (*Am.* treadle)
- 64 vitelline membrane (yolk sac)
- 65 blastodisc (germinal disc, cock's tread, cock's treadle)
- 66 germinal vesicle
- 67 white
- 68 yolk

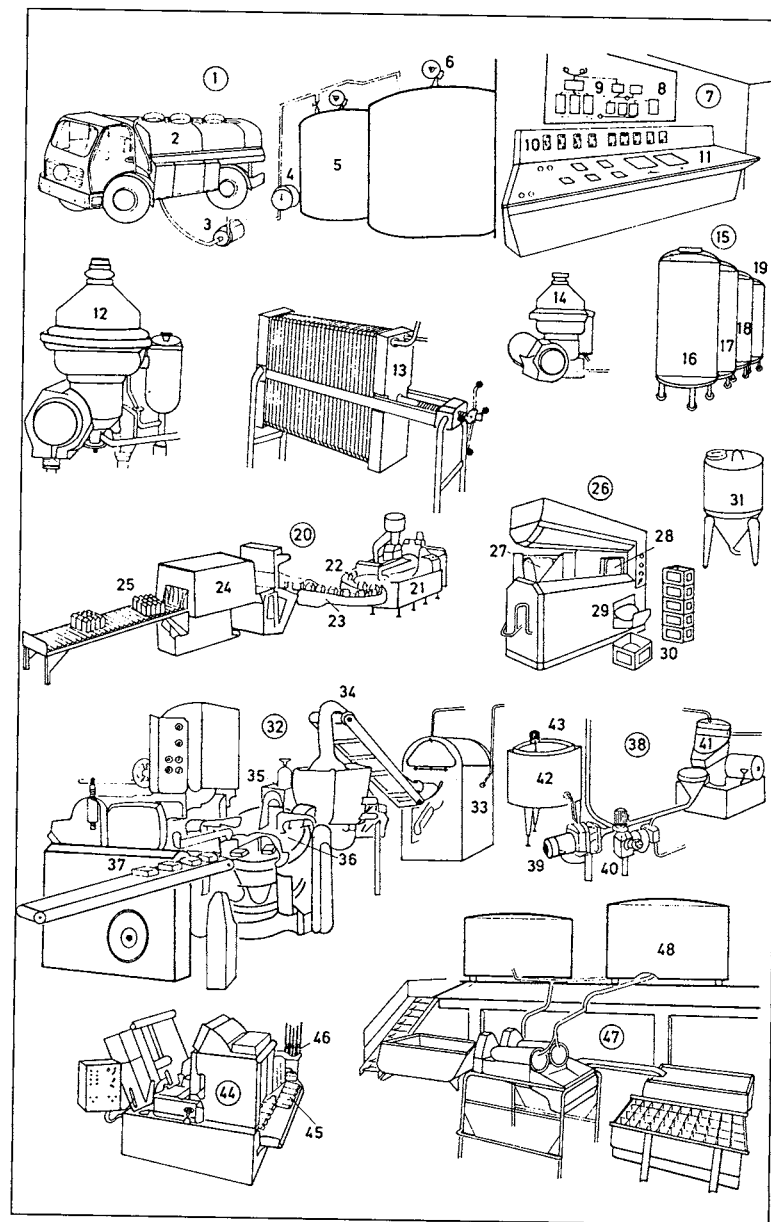


- 1 stable
- 2 horse stall (stall, horse box, box)
- 3 feeding passage
- 4 pony
- 5 bars
- 6 litter
- 7 bale of straw
- 8 ceiling light
- 9 sheep pen
- 10 mother sheep (ewe)
- 11 lamb
- 12 double hay rack
- 13 hay
- 14 dairy cow shed
- 15-16 tether
- 15 chain
- 16 rail
- 17 dairy cow (milch-cow, milker)
- 18 udder
- 19 teat
- 20 manure gutter
- 21 manure removal by sliding bars
- 22 short standing
- 23 milking parlour (Am. parlor), a herringbone parlour
- 24 working passage
- 25 milker (Am. milkman)
- 26 teat cup cluster
- 27 milk pipe
- 28 air line
- 29 vacuum line
- 30 teat cup
- 31 window
- 32 pulsator
- 33 release phase
- 34 squeeze phase
- 35 pigsty (Am. pigpen, hogpen)
- 36 pen for young pigs
- 37 feeding trough
- 38 partition
- 39 pig, a young pig
- 40 farrowing and store pen
- 41 sow
- 42 piglets (Am. shoats, shotes) (suckling pigs [for first 8 weeks])
- 43 farrowing rails
- 44 liquid manure channel



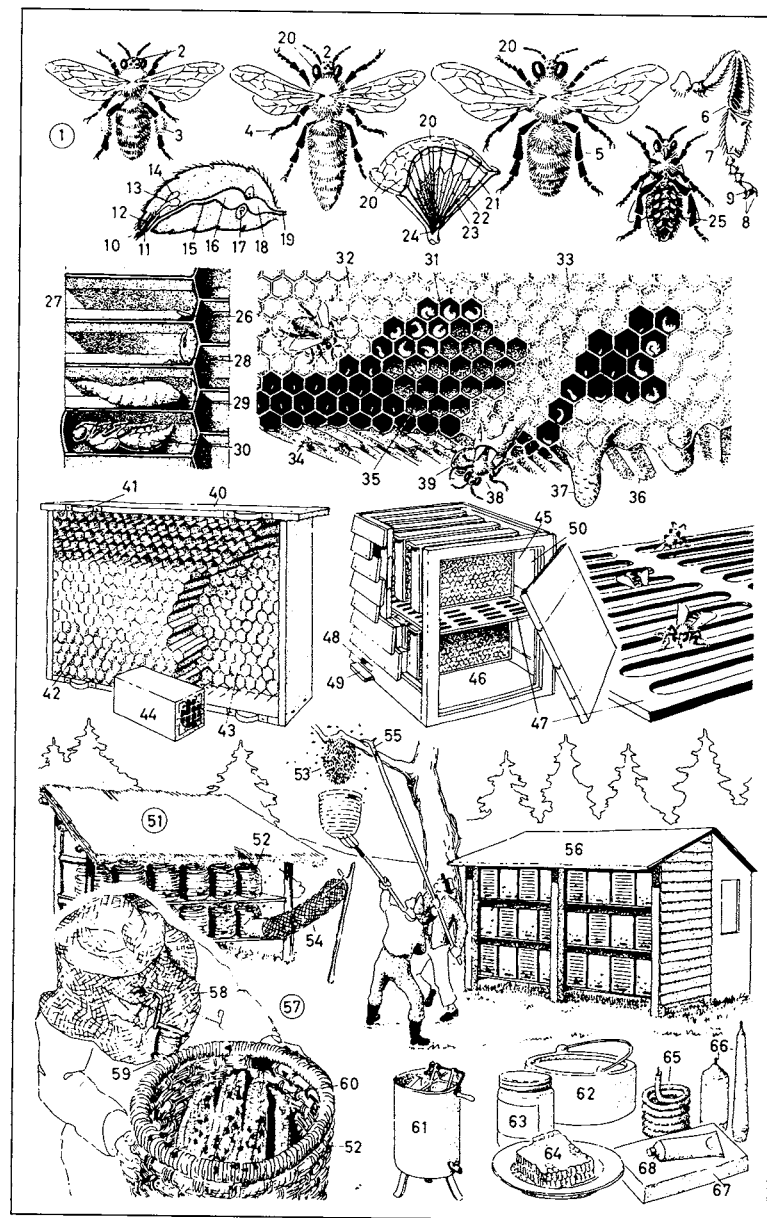
- 1-48 dairy (dairy plant)
1 milk reception
 2 milk tanker
 3 raw milk pump
 4 flowmeter, an oval (elliptical) gear meter
 5 raw milk storage tank
 6 gauge (*Am. gage*)
 7 **central control room**
 8 chart of the dairy
 9 flow chart (flow diagram)
 10 storage tank gauges (*Am. gages*)
 11 control panel
12-48 milk processing area
 12 sterilizer (homogenizer)
 13 milk heater; *sim.*: cream heater
 14 cream separator
 15 fresh milk tanks
 16 tank for sterilized milk
 17 skim milk (skimmed milk) tank
 18 buttermilk tank
 19 cream tank
 20 fresh milk filling and packing plant
 21 filling machine for milk cartons; *sim.*: milk tub filler
 22 milk carton
 23 conveyor belt (conveyor)
 24 shrink-sealing machine
 25 pack of twelve in shrink foil
 26 ten-litre filling machine
 27 heat-sealing machine
 28 plastic sheets
 29 heat-sealed bag
 30 crate
 31 cream maturing vat
 32 butter shaping and packing machine
 33 butter churn, a creamery butter machine for continuous butter making
 34 butter supply pipe
 35 shaping machine
 36 packing machine
 37 branded butter in 250 g packets
 38 plant for producing curd cheese (curd cheese machine)
 39 curd cheese pump

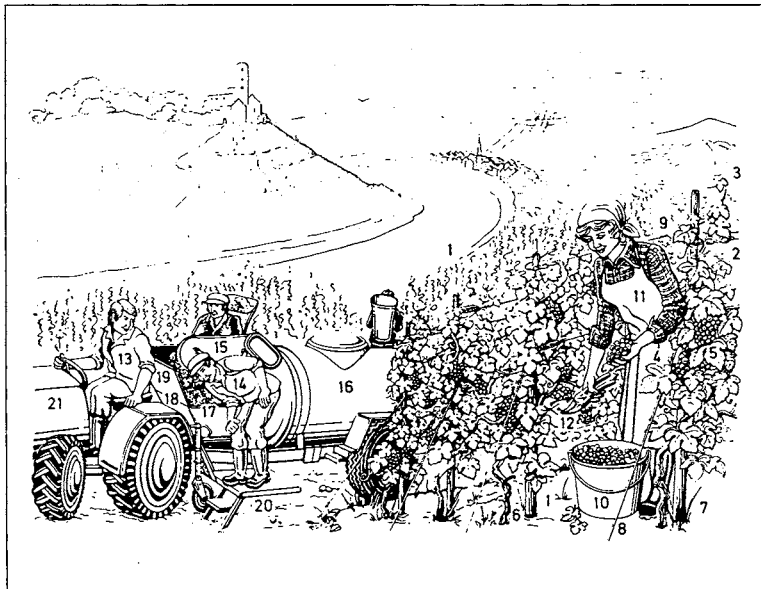
- 40 cream supply pump
 41 curds separator
 42 sour milk vat
 43 stirrer
 44 curd cheese packing machine
 45 packeted curd cheese
 46 bottle-capping machine (capper)
 47 cheese machine
 48 rennet vat



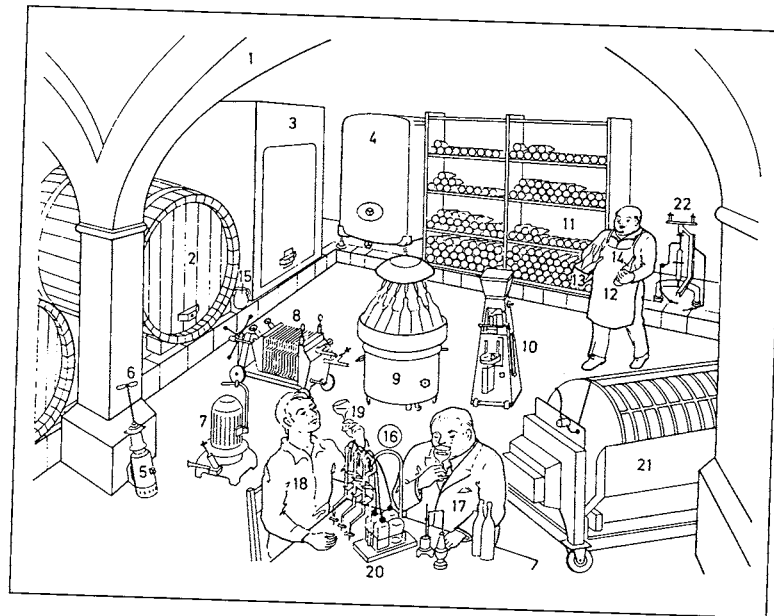
- 1-25 bee (honey-bee, hive-bee)
1, 4-5 castes (social classes) of bees
 1 worker (worker bee)
 2 three simple eyes (ocelli)
 3 load of pollen on the hind leg
 4 queen (queen bee)
 5 drone (male bee)
6-9 left hind leg of a worker
 6 pollen basket
 7 pollen comb (brush)
 8 double claw
 9 suction pad
10-19 abdomen of the worker
10-14 stinging organs
 10 barb
 11 sting
 12 sting sheath
 13 poison sac
 14 poison gland
15-19 stomachic-intestinal canal
 15 intestine
 16 stomach
 17 contractile muscle
 18 honey bag (honey sac)
 19 oesophagus (esophagus, gullet)
20-24 compound eye
 20 facet
 21 crystal cone
 22 light-sensitive section
 23 fibre (*Am.* fiber) of the optic nerve
 24 optic nerve
 25 wax scale
26-30 cell
 26 egg
 27 cell with the egg in it
 28 young larva
 29 larva (grub)
 30 chrysalis (pupa)
31-43 honeycomb
 31 brood cell
 32 sealed (capped) cell with chrysalis (pupa)
 33 sealed (capped) cell with honey (honey cell)
 34 worker cells
 35 storage cells, with pollen
 36 drone cells

- 37 queen cell
 38 queen emerging from her cell
 39 cap (capping)
 40 frame
 41 distance piece
 42 [artificial] honeycomb
 43 septum (foundation, comb foundation)
 44 queen's travelling (*Am.* traveling) box
45-50 beehive, a frame hive (movable-frame hive, movable-comb hive)
 45 super (honey super) with honeycombs
 46 brood chamber with breeding combs
 47 queen-excluder
 48 entrance
 49 flight board (alighting board)
 50 window
 51 old-fashioned bee shed
 52 straw hive (*skep*), a hive
 53 swarm (swarm cluster) of bees
 54 swarming net (bag net)
 55 hooked pole
 56 apiary (bee house)
 57 beekeeper (*apiarist, Am.* beeman)
 58 bee veil
 59 bee smoker
 60 natural honeycomb
 61 honey extractor (honey separator)
 62-63 strained honey (honey)
 62 honey pail
 63 honey jar
 64 honey in the comb
 65 wax taper
 66 wax candle
 67 beeswax
 68 bee sting ointment



**1-21 vineyard area**

- 1 vineyard using wire trellises for training vines
- 2-9 vine (*Am.* grapevine)
- 2 vine shoot
- 3 long shoot
- 4 vine leaf
- 5 bunch of grapes (cluster of grapes)
- 6 vine stem
- 7 post (stake)
- 8 guy (guy wire)
- 9 wire trellis
- 10 tub for grape gathering
- 11 grape gatherer
- 12 secateurs for pruning vines
- 13 wine grower (viniculturist, viticulturist)
- 14 dosser carrier
- 15 dosser (pannier)
- 16 crushed grape transporter
- 17 grape crusher
- 18 hopper
- 19 three-sided flap extension
- 20 platform
- 21 vineyard tractor, a narrow-track tractor

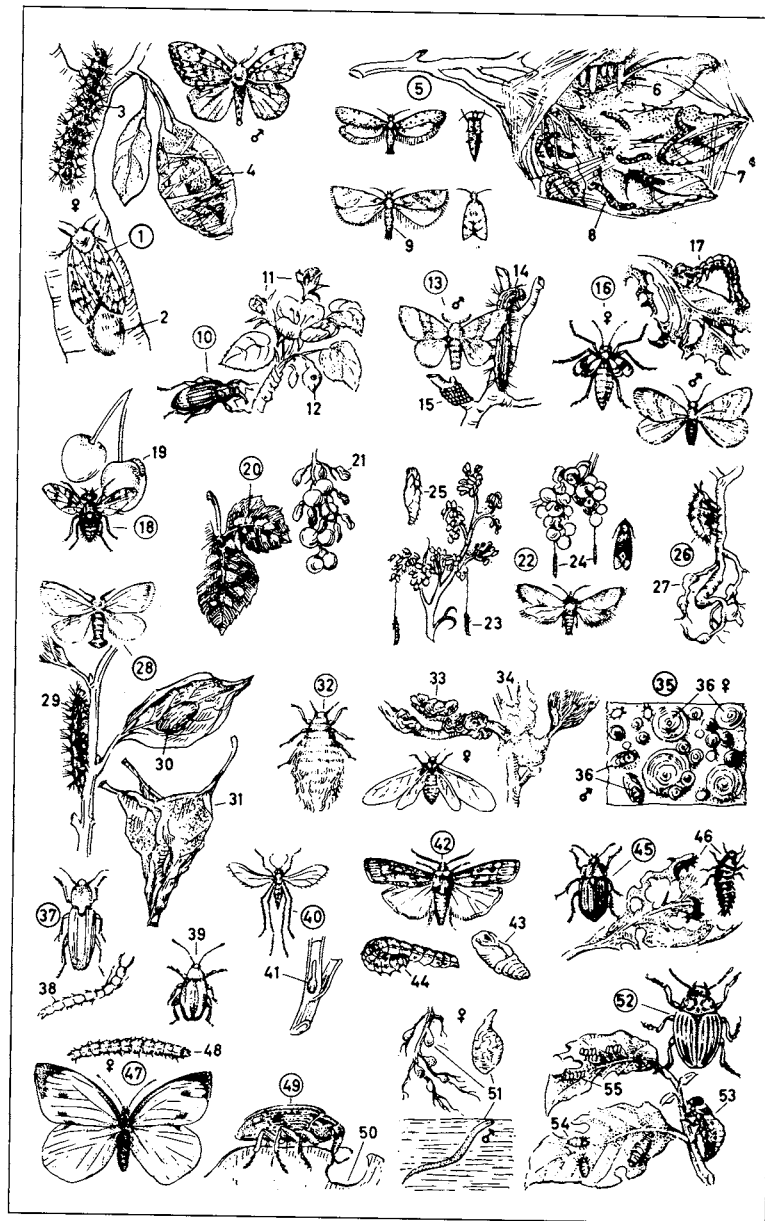
**1-22 wine cellar (wine vault)**

- 1 vault
- 2 wine cask
- 3 wine vat, a concrete vat
- 4 stainless steel vat (*also:* vat made of synthetic material)
- 5 propeller-type high-speed mixer
- 6 propeller mixer
- 7 centrifugal pump
- 8 stainless steel sediment filter
- 9 semi-automatic circular bottling machine
- 10 semi-automatic corking machine
- 11 bottle rack
- 12 cellarer's assistant
- 13 bottle basket
- 14 wine bottle
- 15 wine jug
- 16 wine tasting
- 17 head cellarman
- 18 cellarman
- 19 wineglass
- 20 inspection apparatus [for spot-checking samples]
- 21 horizontal wine press
- 22 humidifier

1-19 fruit pests

- 1 gipsy (gypsy) moth
- 2 batch (cluster) of eggs
- 3 caterpillar
- 4 chrysalis (pupa)
- 5 small ermine moth, an ermine moth
- 6 larva (grub)
- 7 tent
- 8 caterpillar skeletonizing a leaf
- 9 fruit-surface-eating tortrix moth (summer fruit tortrix moth)
- 10 appleblossom weevil, a weevil
- 11 punctured, withered flower (blossom)
- 12 hole for laying eggs
- 13 lackey moth
- 14 caterpillar
- 15 eggs
- 16 winter moth, a geometrid
- 17 caterpillar
- 18 cherry fruit fly, a borer
- 19 larva (grub, maggot)
- 20-27 vine pests**
- 20 downy mildew, a mildew, a disease causing leaf drop
- 21 grape affected with downy mildew
- 22 grape-berry moth
- 23 first-generation larva of the grape-berry moth (*Am. grape worm*)
- 24 second-generation larva of the grape-berry moth (*Am. grape worm*)
- 25 chrysalis (pupa)
- 26 root louse, a grape phylloxera
- 27 root gall (knotty swelling of the root, nodosity, tuberosity)
- 28 brown-tail moth
- 29 caterpillar
- 30 batch (cluster) of eggs
- 31 hibernation cocoon
- 32 woolly apple aphid (American blight), an aphid
- 33 gall caused by the woolly apple aphid
- 34 woolly apple aphid colony

- 35 San-José scale, a scale insect (scale louse)
- 36 larvae (grubs) [*male elongated, female round*]
- 37-55 field pests**
- 37 click beetle, a snapping beetle (*Am. snapping bug*)
- 38 wireworm, larva of the click beetle
- 39 flea beetle
- 40 Hessian fly, a gall midge (gall gnat)
- 41 larva (grub)
- 42 turnip moth, an earth moth
- 43 chrysalis (pupa)
- 44 cutworm, a caterpillar
- 45 beet carrion beetle
- 46 larva (grub)
- 47 large cabbage white butterfly
- 48 caterpillar of the small cabbage white butterfly
- 49 brown leaf-eating weevil, a weevil
- 50 feeding site
- 51 sugar beet eelworm, a nematode (a threadworm, hairworm)
- 52 Colorado beetle (potato beetle)
- 53 mature larva (grub)
- 54 young larva (grub)
- 55 eggs



1-14 house insects

- 1 lesser housefly
- 2 common housefly
- 3 chrysalis (pupa, coarctate pupa)
- 4 stable fly (biting housefly)
- 5 trichotomous antenna
- 6 wood louse (slater, *Am.* sow bug)
- 7 house cricket
- 8 wing with stridulating apparatus (stridulating mechanism)
- 9 house spider
- 10 spider's web
- 11 earwig
- 12 caudal pincers
- 13 clothes moth, a moth
- 14 silverfish (*Am.* slicker), a bristletail

15-30 food pests (pests to stores)

- 15 cheese fly
- 16 grain weevil (granary weevil)
- 17 cockroach (black beetle)
- 18 meal beetle (meal worm beetle, flour beetle)
- 19 spotted bruchus
- 20 larva (grub)
- 21 chrysalis (pupa)
- 22 leather beetle (hide beetle)
- 23 yellow meal beetle
- 24 chrysalis (pupa)
- 25 cigarette beetle (tobacco beetle)
- 26 maize billbug (corn weevil)
- 27 one of the *Cryptolestes*, a grain pest
- 28 Indian meal moth
- 29 Angoumois grain moth (Angoumois moth)
- 30 Angoumois grain moth caterpillar inside a grain kernel

31-42 parasites of man

- 31 round worm (maw worm)
- 32 female
- 33 head
- 34 male
- 35 tapeworm, a flatworm
- 36 head, a suckorial organ
- 37 sucker
- 38 crown of hooks
- 39 bug (bed bug, *Am.* chinch)

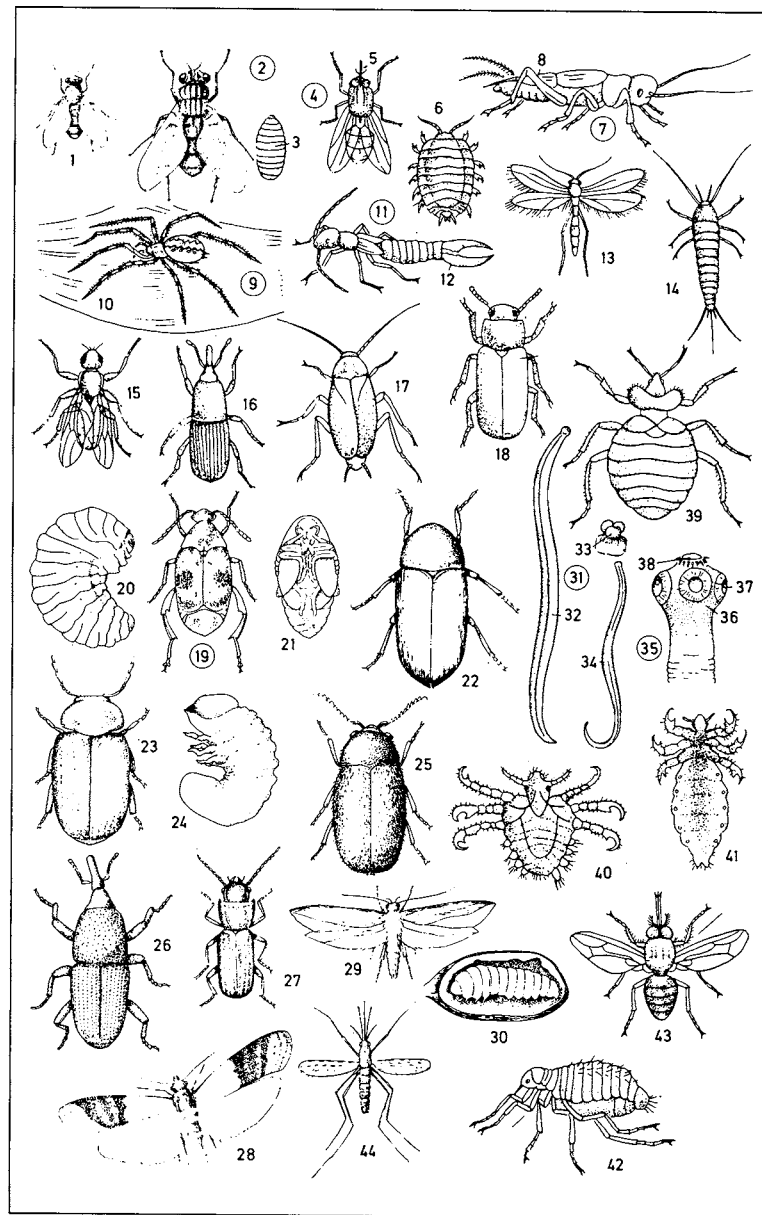
40 crab louse (a human louse)

41 clothes louse (body louse, a human louse)

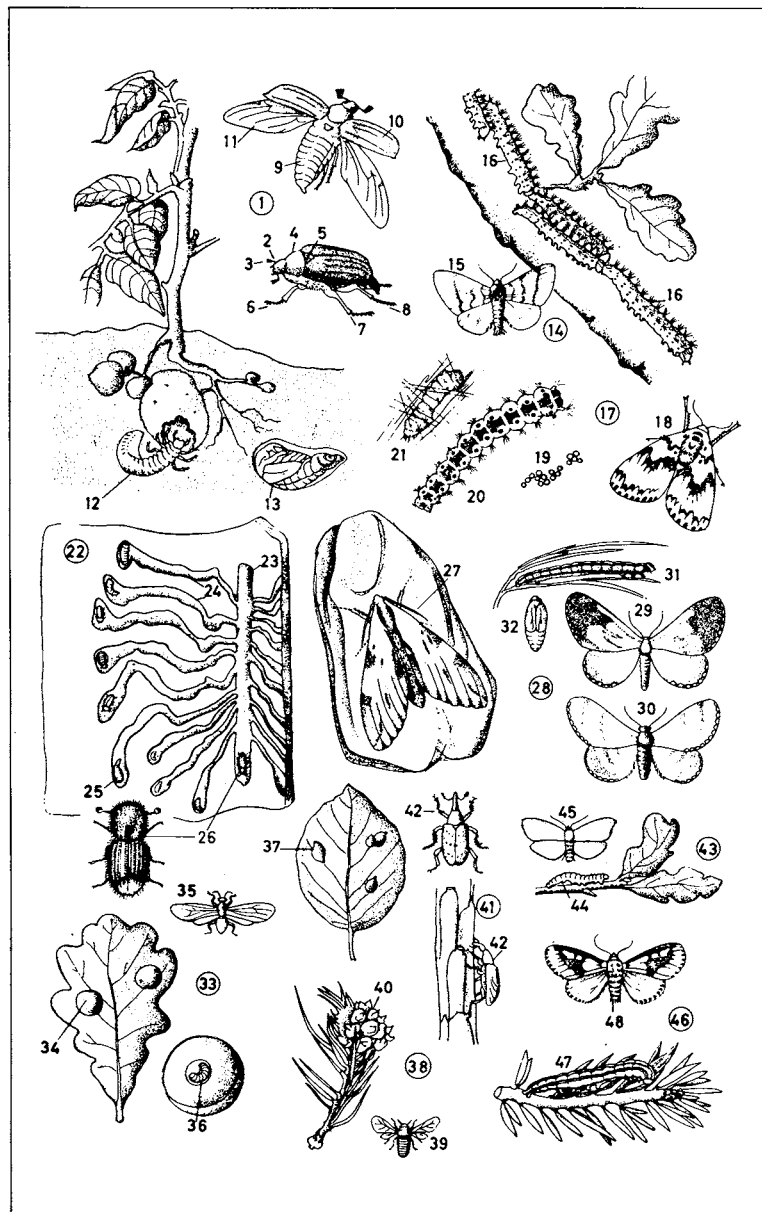
42 flea (human flea, common flea)

43 tsetse fly

44 malaria mosquito

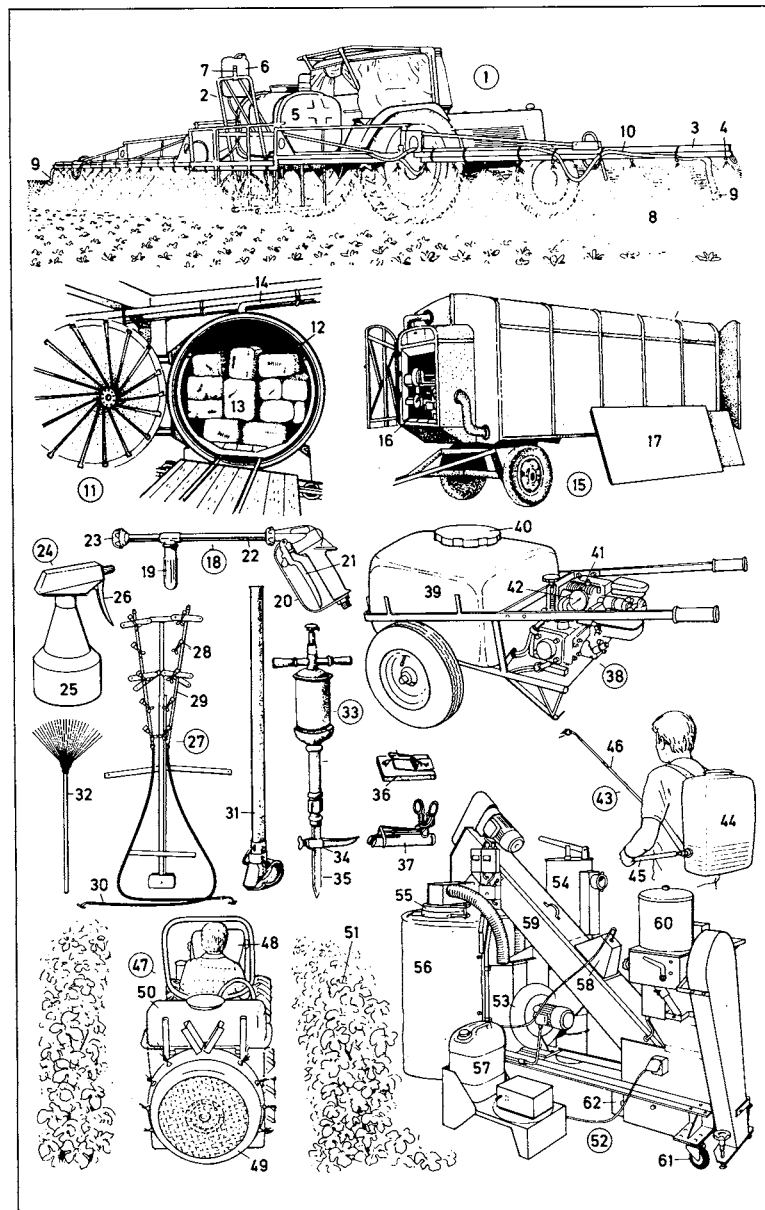


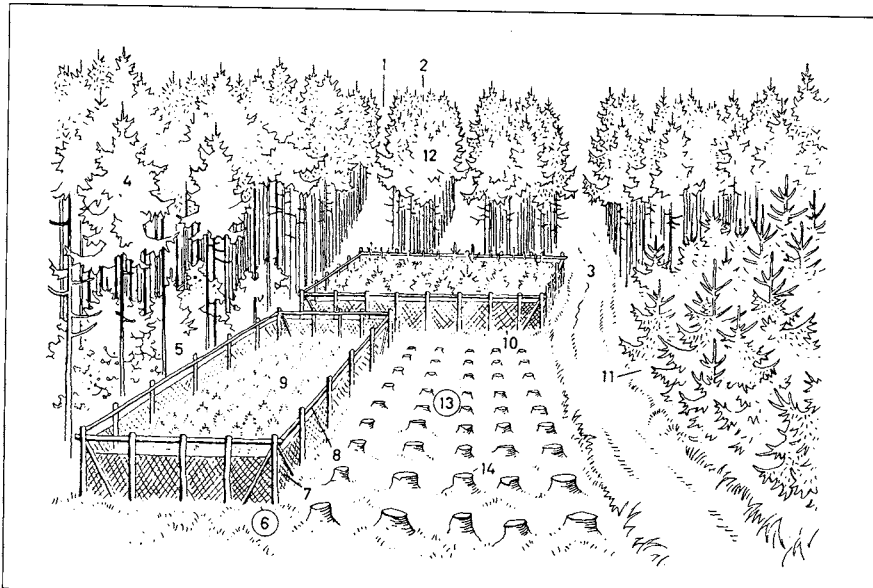
- 1 cockchafer (May bug), a lamellicorn
- 2 head
- 3 antenna (feeler)
- 4 thoracic shield (prothorax)
- 5 scutellum
- 6-8 legs
- 6 front leg
- 7 middle leg
- 8 back leg
- 9 abdomen
- 10 elytron (wing case)
- 11 membranous wing
- 12 cockchafer grub, a larva
- 13 chrysalis (pupa)
- 14 processionary moth, a nocturnal moth (night-flying moth)
- 15 moth
- 16 caterpillars in procession
- 17 nun moth (black arches moth)
- 18 moth
- 19 eggs
- 20 caterpillar
- 21 chrysalis (pupa) in its cocoon
- 22 typographer beetle, a bark beetle
- 23-24 galleries under the bark
- 23 egg gallery
- 24 gallery made by larva
- 25 larva (grub)
- 26 beetle
- 27 pine hawkmoth, a hawkmoth
- 28 pine moth, a geometrid
- 29 male moth
- 30 female moth
- 31 caterpillar
- 32 chrysalis (pupa)
- 33 oak-gall wasp, a gall wasp
- 34 oak gall (oak apple), a gall
- 35 wasp
- 36 larva (grub) in its chamber
- 37 beech gall
- 38 spruce-gall aphid
- 39 winged aphid
- 40 pineapple gall
- 41 pine weevil
- 42 beetle (weevil)
- 43 green oak roller moth (green oak tortrix), a leaf roller
- 44 caterpillar
- 45 moth
- 46 pine beauty
- 47 caterpillar
- 48 moth



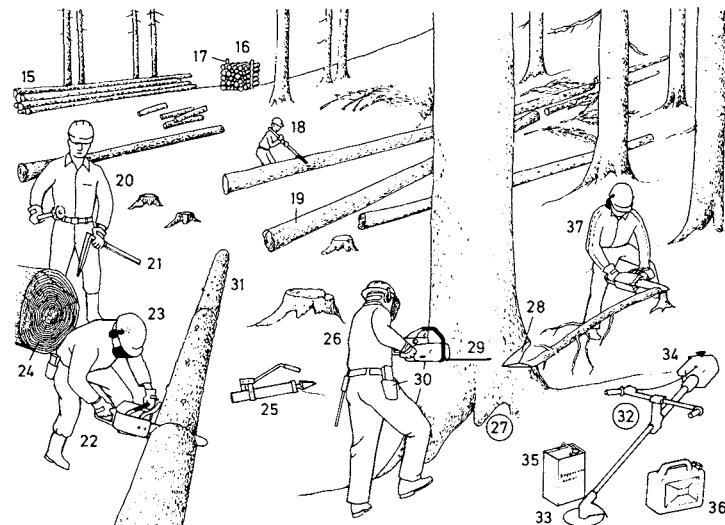
- 1 area spraying
- 2 tractor-mounted sprayer
- 3 spray boom
- 4 fan nozzle
- 5 spray fluid tank
- 6 foam canister for blob marking
- 7 spring suspension
- 8 spray
- 9 blob marker
- 10 foam feed pipe
- 11 vacuum fumigator (vacuum fumigation plant) of a tobacco factory
- 12 vacuum chamber
- 13 bales of raw tobacco
- 14 gas pipe
- 15 mobile fumigation chamber for fumigating nursery saplings, vine layers, seeds, and empty sacks with hydrocyanic (prussic) acid
- 16 gas circulation unit
- 17 tray
- 18 spray gun
- 19 twist grip (control grip, handle) for regulating the jet
- 20 finger guard
- 21 control lever (operating lever)
- 22 spray tube
- 23 cone nozzle
- 24 hand spray
- 25 plastic container
- 26 hand pump
- 27 pendulum spray for hop growing on slopes
- 28 pistol-type nozzle
- 29 spraying tube
- 30 hose connection
- 31 tube for laying poisoned bait
- 32 fly swat
- 33 soil injector (carbon disulphide, *Am.* carbon disulfide, injector) for killing the vine root louse
- 34 foot lever (foot pedal, foot treadle)
- 35 gas tube
- 36 mousetrap
- 37 vole and mole trap
- 38 mobile orchard sprayer, a wheelbarrow sprayer (carriage sprayer)

- 39 spray tank
- 40 screw-on cover
- 41 direct-connected motor-driven pump with petrol motor
- 42 pressure gauge (*Am. gage*) (manometer)
- 43 plunger-type knapsack sprayer
- 44 spray canister with pressure chamber
- 45 piston pump lever
- 46 hand lance with nozzle
- 47 semi-mounted sprayer
- 48 vineyard tractor
- 49 fan
- 50 spray fluid tank
- 51 row of vines
- 52 dressing machine (seed-dressing machine) for dry-seed dressing (seed dusting)
- 53 dedusting fan (dust removal fan) with electric motor
- 54 bag filter
- 55 bagging nozzle
- 56 dedusting screen (dust removal screen)
- 57 water canister [containing water for spraying]
- 58 spray unit
- 59 conveyor unit with mixing screw
- 60 container for disinfectant powder with dosing mechanism
- 61 castor
- 62 mixing chamber



**1-34 forest, a wood**

- 1 ride (aisle, lane, section line)
- 2 compartment (section)
- 3 wood haulage way, a forest track
- 4-14 clear-felling system**
- 4 standing timber
- 5 underwood (underbrush, undergrowth, brushwood, *Am.* brush)
- 6 seedling nursery, a tree nursery
- 7 deer fence (fence), a wire netting fence (protective fence for seedlings); *sim.*: rabbit fence
- 8 guard rail
- 9 seedlings
- 10, 11 young trees
- 10 tree nursery after transplanting
- 11 young plantation
- 12 young plantation after brashing
- 13 clearing
- 14 tree stump (stump, stub)

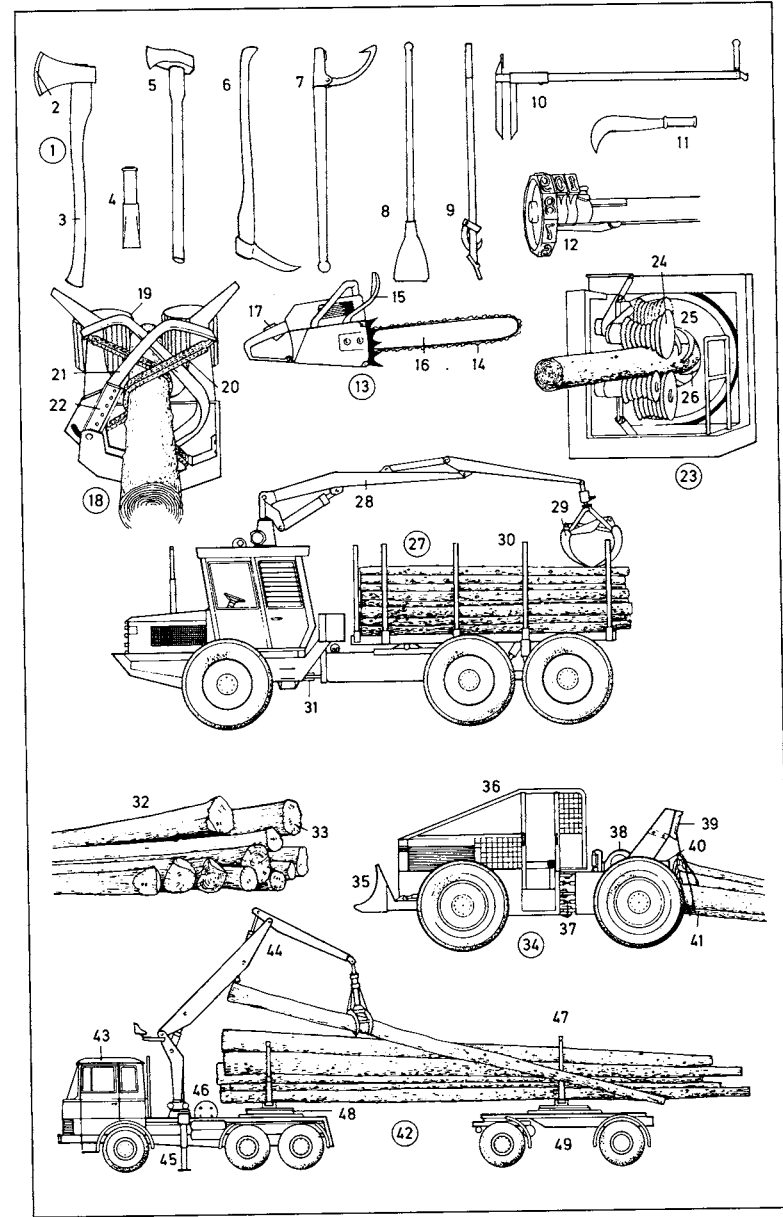
**15-37 wood cutting** (timber cutting, tree felling, *Am.* lumbering)

- 15 timber skidded to the stack (stacked timber, *Am.* yarded timber)
- 16 stack of logs, one cubic metre (*Am.* meter) of wood
- 17 post (stake)
- 18 forest labourer (woodsman, *Am.* logger, lumberer, lumberjack, lumberman, timberjack) turning (*Am.* canting) timber
- 19 bole (tree trunk, trunk, stem)
- 20 feller numbering the logs
- 21 steel tree calliper (caliper)
- 22 power saw (motor saw) cutting a bole
- 23 safety helmet with visor and ear pieces
- 24 annual rings
- 25 hydraulic felling wedge
- 26 protective clothing [orange top, green trousers]
- 27 felling with a power saw (motor saw)
- 28 undercut (notch, throat, gullet, mouth, sink, kerf, birdsmouth)
- 29 back cut
- 30 sheath holding felling wedge
- 31 log
- 32 free-cutting saw for removing underwood and weeds
- 33 circular saw (or activated blade) attachment
- 34 power unit (motor)
- 35 canister of viscous oil for the saw chain
- 36 petrol canister (*Am.* gasoline canister)
- 37 felling of small timber (of small-sized thinnings) (thinning)

85 Forestry II

- 1 axe (*Am.* ax)
- 2 edge (cutting edge)
- 3 handle (helve)
- 4 felling wedge (falling wedge) with wood insert and ring
- 5 riving hammer (cleaving hammer, splitting hammer)
- 6 lifting hook
- 7 cant hook
- 8 barking iron (bark spud)
- 9 peavy
- 10 slide calliper (caliper) (calliper square)
- 11 billhook, a knife for lopping
- 12 revolving die hammer (marking hammer, marking iron, *Am.* marker)
- 13 power saw (motor saw)
- 14 saw chain
- 15 safety brake for the saw chain, with finger guard
- 16 saw guide
- 17 accelerator lock
- 18 snedding machine (trimming machine, *Am.* knotting machine, limbing machine)
- 19 feed rolls
- 20 flexible blade
- 21 hydraulic arm
- 22 trimming blade
- 23 debarking (barking, bark stripping) of boles
- 24 feed roller
- 25 cylinder trimmer
- 26 rotary cutter
- 27 short-haul skidder
- 28 loading crane
- 29 log grips
- 30 post
- 31 Ackermann steering system
- 32 log dump
- 33 number (identification number)
- 34 skidder
- 35 front blade (front plate)
- 36 crush-proof safety bonnet (*Am.* safety hood)
- 37 Ackermann steering system
- 38 cable winch

- 39 cable drum
- 40 rear blade (rear plate)
- 41 boles with butt ends held off the ground
- 42 haulage of timber by road
- 43 tractor (tractor unit)
- 44 loading crane
- 45 hydraulic jack
- 46 cable winch
- 47 post
- 48 bolster plate
- 49 rear bed (rear bunk)



**1-52 kinds of hunting**

1-8 stalking (deer stalking, *Am.* still-hunting) in the game preserve

1 huntsman (hunter)

2 hunting clothes

3 knapsack

4 sporting gun (sporting rifle, hunting rifle)

5 huntsman's hat

6 field glasses, binoculars

7 gun dog

8 track (trail, hoofprints)

9-12 hunting in the rutting season and the pairing season

9 hunting screen (screen, *Am.* blind)

10 shooting stick (shooting seat, seat stick)

11 blackcock, displaying

12 rutting stag

13 hind, grazing

14-17 hunting from a raised hide (raised stand)

14 raised hide (raised stand, high seat)

15 herd within range

16 game path (*Am.* runway)

17 roebuck, hit in the shoulder and killed by a finishing shot

18 phaeton

19-27 types of trapping

19 trapping of small predators

20 box trap (trap for small predators)

21 bait

22 marten, a small predator

23 ferreting (hunting rabbits out of their warrens)

24 ferret

25 ferreter

26 burrow (rabbit burrow, rabbit hole)

27 net (rabbit net) over the burrow opening

28 feeding place for game (winter feeding place)

29 poacher

30 carbine, a short rifle

31 boar hunt

32 wild sow (sow, wild boar)

33 boarhound (hound, hunting dog; collectively: pack, pack of hounds)

34-39 beating (driving, hare hunting)

34 aiming position

35 hare, furred game (ground game)

36 retrieving

37 beater

38 bag (kill)

39 cart for carrying game

40 waterfowling (wildfowling, duck shooting, *Am.* duck hunting)

41 flight of wild ducks, winged game

42-46 falconry (hawking)

42 falconer

43 reward, a piece of meat

44 falcon's hood

45 jess

46 falcon, a hawk, a male hawk (tiercel) swooping (stooping) on a heron

47-52 shooting from a butt

47 tree to which birds are lured

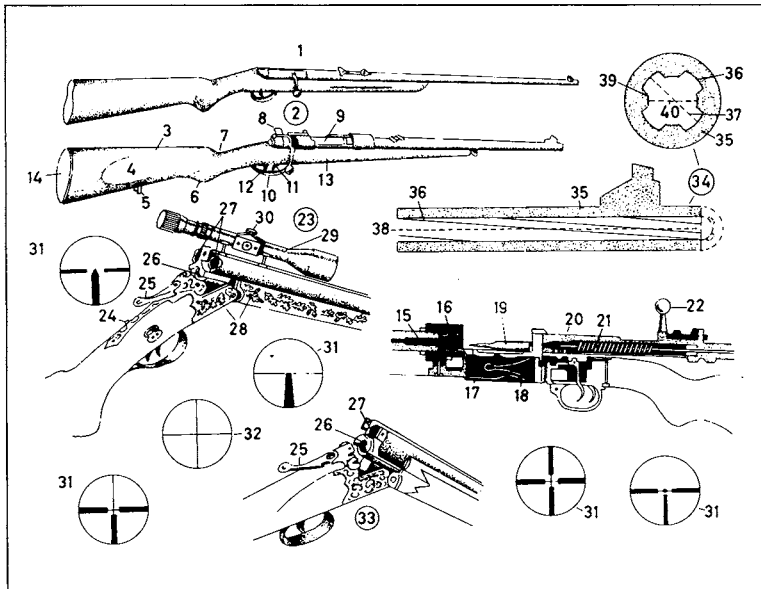
48 eagle owl, a decoy bird (decoy)

49 perch

50 decoyed bird, a crow

51 butt for shooting crows or eagle owls

52 gun slit

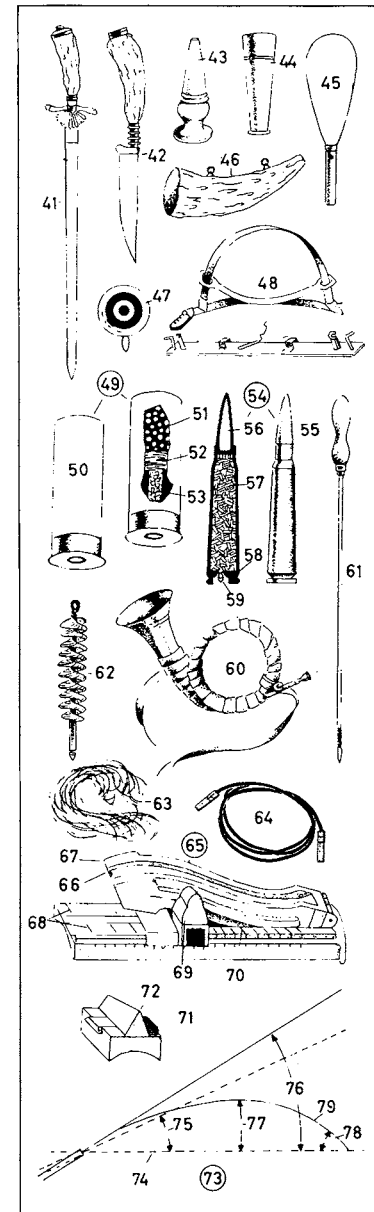


1-40 sporting guns (sporting rifles, hunting rifles)

- | | |
|---|---|
| 1 single-loader (single-loading rifle) | 21 firing pin (striker) |
| 2 repeating rifle, a small-arm (fire-arm), a repeater (magazine rifle, magazine repeater) | 22 bolt handle (bolt lever) |
| 3, 4, 6, 13 stock | 23 triple-barrelled (triple-barreled) rifle, a self-cocking gun |
| 3 butt | 24 reversing catch; <i>in various guns</i> : safety catch |
| 4 cheek [on the left side] | 25 sliding safety catch |
| 5 sling ring | 26 rifle barrel (rifled barrel) |
| 6 pistol grip | 27 smooth-bore barrel |
| 7 small of the butt | 28 chasing |
| 8 safety catch | 29 telescopic sight (riflescope, telescope sight) |
| 9 lock | 30 graticule adjuster screws |
| 10 trigger guard | 31-32 graticule (sight graticule) |
| 11 second set trigger (firing trigger) | 31 various graticule systems |
| 12 hair trigger (set trigger) | 32 cross wires (<i>Am.</i> cross hairs) |
| 13 foregrip | 33 over-and-under shotgun |
| 14 butt plate | 34 rifled gun barrel |
| 15 cartridge chamber | 35 barrel casing |
| 16 receiver | 36 rifling |
| 17 magazine | 37 rifling calibre (<i>Am.</i> caliber) |
| 18 magazine spring | 38 bore axis |
| 19 ammunition (cartridge) | 39 land |
| 20 chamber | 40 calibre (bore diameter, <i>Am.</i> caliber) |

41-48 hunting equipment

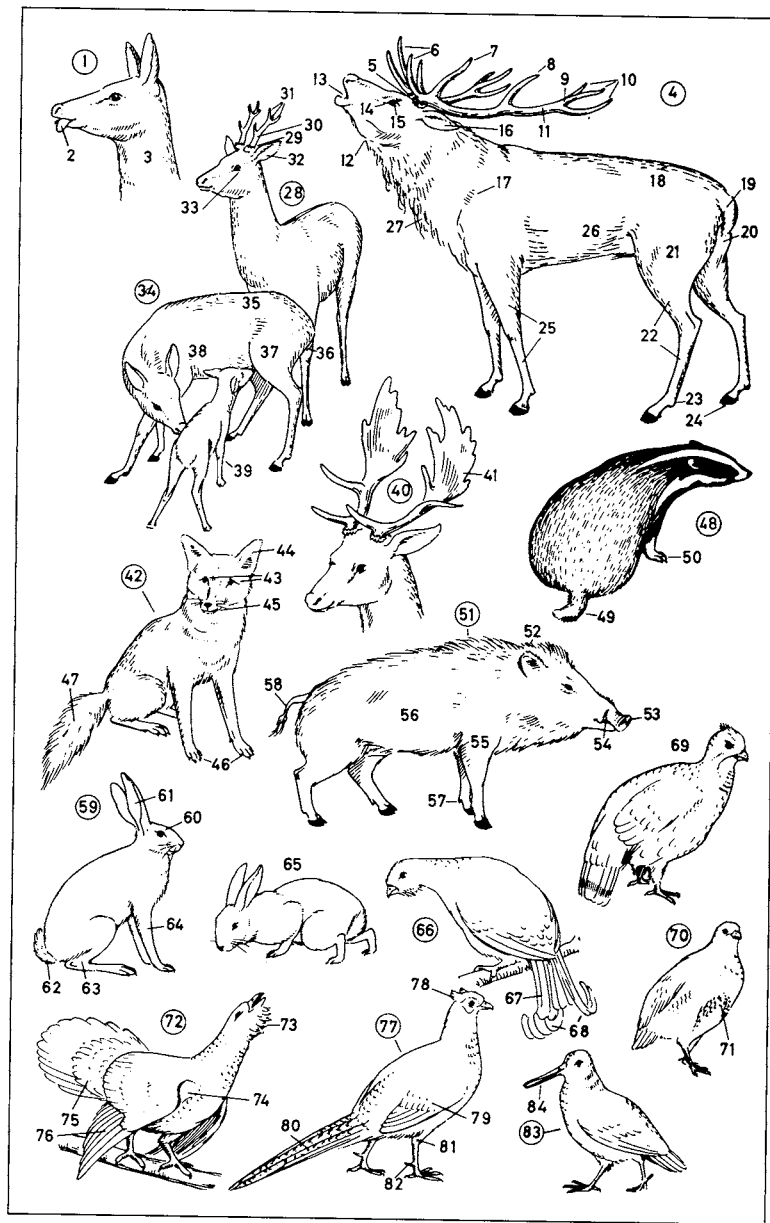
- | |
|---|
| 41 double-edged hunting knife |
| 42 [single-edged] hunting knife |
| 43-47 calls for luring game (for calling game) |
| 43 roe call |
| 44 hare call |
| 45 quail call |
| 46 stag call |
| 47 partridge call |
| 48 bow trap (bow gin), a jaw trap |
| 49 small-shot cartridge |
| 50 cardboard case |
| 51 small-shot charge |
| 52 felt wad |
| 53 smokeless powder (<i>different kind</i> : black powder) |
| 54 cartridge |
| 55 full-jacketed cartridge |
| 56 soft-lead core |
| 57 powder charge |
| 58 detonator cap |
| 59 percussion cap |
| 60 hunting horn |
| 61-64 rifle cleaning kit |
| 61 cleaning rod |
| 62 cleaning brush |
| 63 cleaning tow |
| 64 pull-through (<i>Am.</i> pull-thru) |
| 65 sights |
| 66 notch (sighting notch) |
| 67 back sight leaf |
| 68 sight scale division |
| 69 back sight slide |
| 70 notch [to hold the spring] |
| 71 front sight (foresight) |
| 72 bead |
| 73 ballistics |
| 74 azimuth |
| 75 angle of departure |
| 76 angle of elevation |
| 77 apex (zenith) |
| 78 angle of descent |
| 79 ballistic curve |



1-27 red deer

- 1 hind (red deer), a young hind or a dam; *collectively*: antlerless deer, (y.) calf
 2 tongue
 3 neck
 4 rutting stag
5-11 antlers
 5 burr (rose)
 6 brow antler (brow tine, brow point, brow snag)
 7 bez antler (bay antler, bay, bez tine)
 8 royal antler (royal, tray)
 9 surroyal antlers (surroyals)
 10 point (tine)
 11 beam (main trunk)
 12 head
 13 mouth
 14 larmier (tear bag)
 15 eye
 16 ear
 17 shoulder
 18 loin
 19 scut (tail)
 20 rump
 21 leg (haunch)
 22 hind leg
 23 dew claw
 24 hoof
 25 foreleg
 26 flank
 27 collar (rutting mane)
28-39 roe (roe deer)
 28 roebuck (buck)
29-31 antlers (horns)
 29 burr (rose)
 30 beam with pearls
 31 point (tine)
 32 ear
 33 eye
 34 doe (female roe), a female fawn or a barren doe
 35 loin
 36 rump
 37 leg (haunch)
 38 shoulder
 39 fawn, (m.) young buck, (f.) young doe
40-41 fallow deer
 40 fallow buck, a buck with palmate (palmated) antlers, (f.) doe

- 41 palm
 42 red fox, (m.) dog, (f.) vixen, (y.) cub
 43 eyes
 44 ear
 45 muzzle (mouth)
 46 pads (paws)
 47 brush (tail)
 48 badger, (f.) sow
 49 tail
 50 paws
 51 wild boar, (m.) boar, (f.) wild sow (sow), (y.) young boar
 52 bristles
 53 snout
 54 tusk
 55 shield
 56 hide
 57 dew claw
 58 tail
 59 hare, (m.) buck, (f.) doe
 60 eye
 61 ear
 62 scut (tail)
 63 hind leg
 64 foreleg
 65 rabbit
 66 blackcock
 67 tail
 68 falcate (falcated) feathers
 69 hazel grouse (hazel hen)
 70 partridge
 71 horseshoe (horseshoe marking)
 72 wood grouse (capercaillie)
 73 beard
 74 axillary marking
 75 tail (fan)
 76 wing (pinion)
 77 common pheasant, a pheasant, (m.) cock pheasant (pheasant cock), (f.) hen pheasant (pheasant hen)
 78 plumicorn (feathered ear, ear tuft, ear, horn)
 79 wing
 80 tail
 81 leg
 82 spur
 83 snipe
 84 bill (beak)



1-19 fish farming (fish culture, pisciculture)

- 1 cage in running water
- 2 hand net (landing net)
- 3 semi-oval barrel for transporting fish
- 4 vat
- 5 trellis in the overflow
- 6 trout pond; *sim.*: carp pond, a fry pond, fattening pond, or cleansing pond
- 7 water inlet (water supply pipe)
- 8 water outlet (outlet pipe)
- 9 monk
- 10 screen

11-19 hatchery

- 11 stripping the spawning pike (seed pike)
- 12 fish spawn (spawn, roe, fish eggs)
- 13 female fish (spawner, seed fish)
- 14 trout breeding (trout rearing)
- 15 Californian incubator
- 16 trout fry
- 17 hatching jar for pike
- 18 long incubation tank
- 19 Brandstetter egg-counting board

20-94 angling**20-31 bottom fishing** (coarse fishing)

- 20 line shooting
- 21 coils
- 22 cloth (rag) or paper
- 23 rod rest
- 24 bait tin
- 25 fish basket (creel)
- 26 fishing for carp from a boat
- 27 rowing boat (fishing boat)
- 28 keep net
- 29 drop net
- 30 pole (punt pole, quant pole)
- 31 casting net
- 32 two-handed side cast with fixed-spool reel

- 33 initial position
- 34 point of release
- 35 path of the rod tip
- 36 trajectory of the baited weight

37-94 fishing tackle

- 37 fishing pliers
- 38 filleting knife
- 39 fish knife
- 40 disgorger (hook disgorging)
- 41 bait needle
- 42 gag
- 43-48 floats**
- 43 sliding cork float
- 44 plastic float
- 45 quill float
- 46 polystyrene float
- 47 oval bubble float
- 48 lead-weighted sliding float

49-58 rods

- 49 solid glass rod
- 50 cork handle (cork butt)
- 51 spring-steel ring
- 52 top ring (end ring)
- 53 telescopic rod
- 54 rod section
- 55 bound handle (bound butt)
- 56 ring
- 57 carbon-fibre rod; *sim.*: hollow glass rod
- 58 all-round ring (butt ring for long cast), a steel bridge ring

59-64 reels

- 59 multiplying reel (multiplier reel)
- 60 line guide
- 61 fixed-spool reel (stationary-drum reel)
- 62 bale arm
- 63 fishing line
- 64 controlling the cast with the index finger

65-76 baits

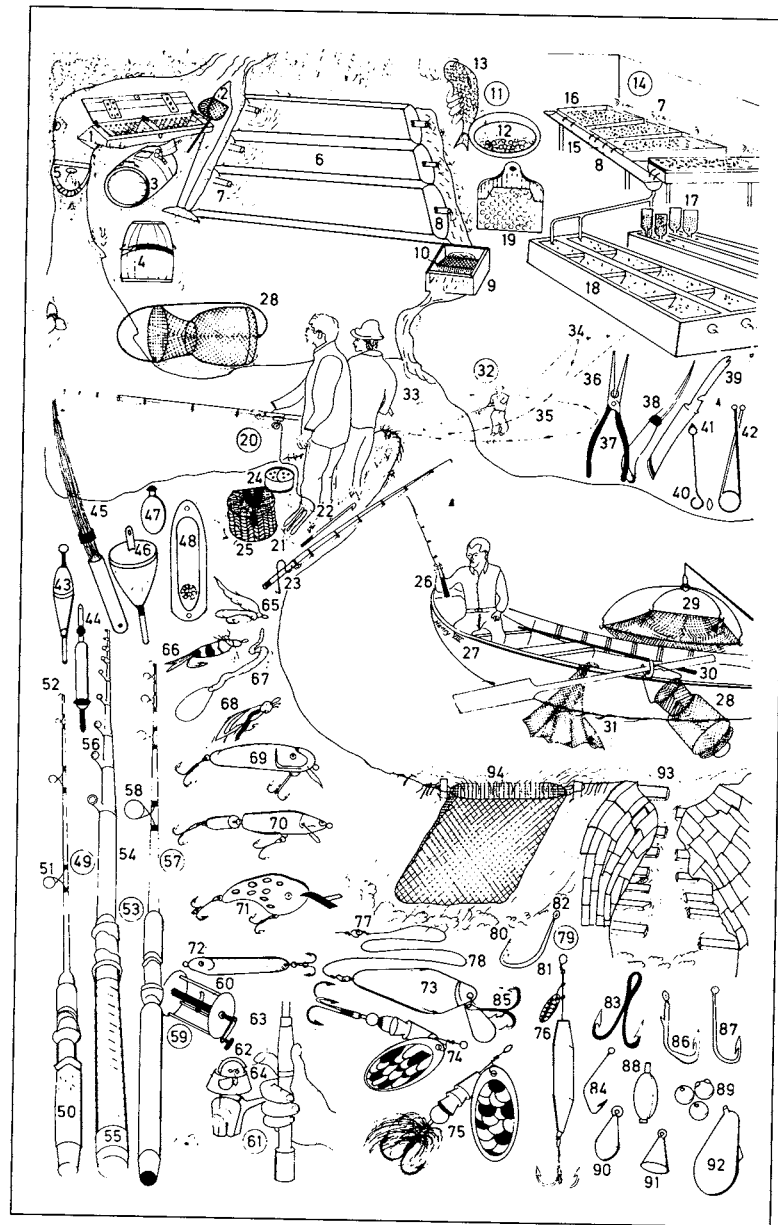
- 65 fly
- 66 artificial nymph
- 67 artificial earthworm
- 68 artificial grasshopper
- 69 single-jointed plug (single-jointed wobbler)
- 70 double-jointed plug (double-jointed wobbler)
- 71 round wobbler
- 72 wiggler
- 73 spoon bait (spoon)
- 74 spinner
- 75 spinner with concealed hook
- 76 long spinner
- 77 swivel
- 78 cast (leader)

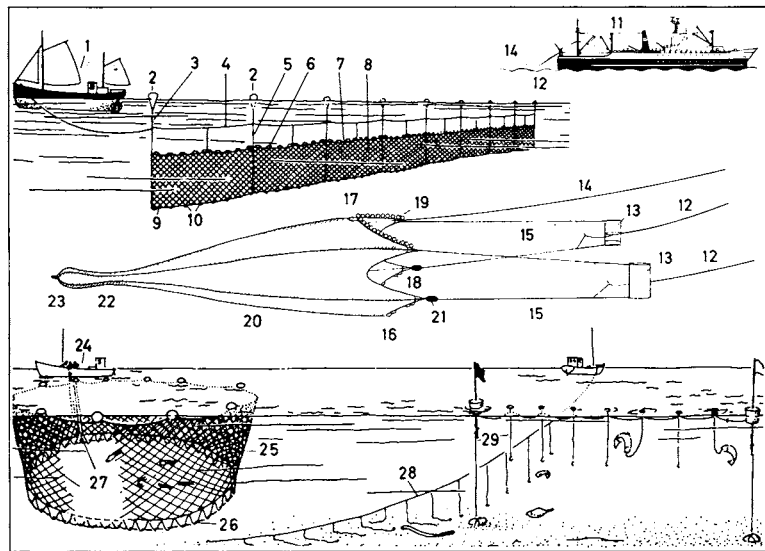
79-87 hooks

- 79 fish hook
- 80 point of the hook with barb
- 81 bend of the hook
- 82 spade (eye)
- 83 open double hook
- 84 limerick
- 85 closed treble hook (triangle)
- 86 carp hook
- 87 eel hook

88-92 leads (lead weights)

- 88 oval lead (oval sinker)
- 89 lead shot
- 90 pear-shaped lead
- 91 plummet
- 92 sea lead
- 93 fish ladder (fish pass, fish way)
- 94 stake net



**1-23 deep-sea fishing****1-10 drift net fishing**

1 herring lugger (fishing lugger, lugger)

2-10 herring drift net

2 buoy
3 buoy rope
4 float line
5 seizing
6 wooden float
7 headline
8 net
9 footrope

10 sinkers (weights)

11-23 trawl fishing (trawling)

11 factory ship, a trawler
12 warp (trawl warp)
13 otter boards
14 net sonar cable
15 wire warp
16 wing
17 net sonar device
18 footrope
19 spherical floats
20 belly

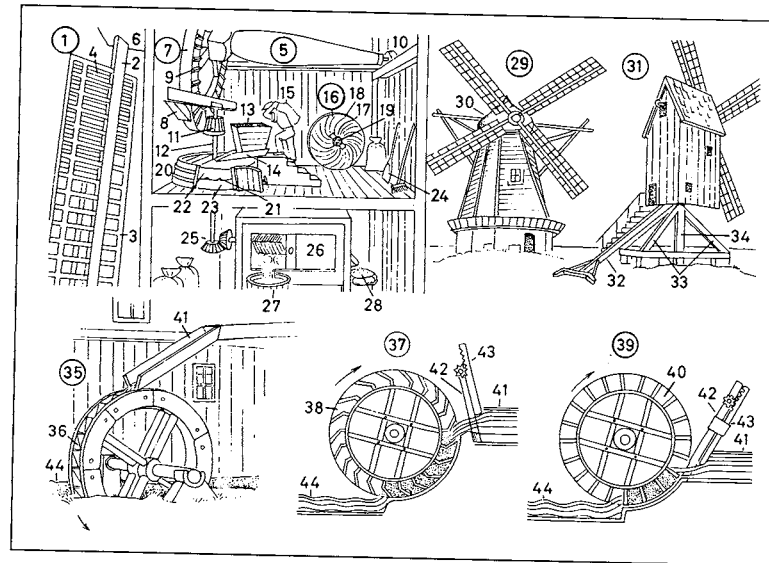
21 1,800 kg iron weight

22 cod end (cod)

23 cod line for closing the cod end

24-29 inshore fishing

24 fishing boat
25 ring net cast in a circle
26 cable for closing the ring net
27 closing gear
28-29 long-line fishing (long-lining)
28 long line
29 suspended fishing tackle

**1-34 windmill**

1 windmill vane (windmill sail, windmill arm)
2 stock (middling, back, radius)
3 frame
4 shutter
5 wind shaft (sail axle)
6 sail top
7 brake wheel
8 brake
9 wooden cog
10 pivot bearing (step bearing)
11 wallower
12 mill spindle
13 hopper
14 shoe (trough, spout)
15 miller
16 millstone
17 furrow (flute)
18 master furrow
19 eye
20 hurst (millstone casing)
21 set of stones (millstones)
22 runner (upper millstone)
23 bed stone (lower stone, bedder)

24 wooden shovel

25 bevel gear (bevel gearing)

26 bolter (sifter)

27 wooden tub (wooden tun)

28 flour

29 smock windmill (Dutch windmill)

30 rotating (revolving) windmill cap

31 post windmill (German windmill)

32 tailpole (pole)

33 base

34 post

35-44 watermill

35 overshot mill wheel (high-breast mill wheel), a mill wheel (water-wheel)

36 bucket (cavity)

37 midslesh mill wheel (breast mill wheel)

38 curved vane

39 undershot mill wheel

40 flat vane

41 headrace (discharge flume)

42 mill weir

43 overfall (water overfall)

44 millstream (millrace, *Am.* raceway)

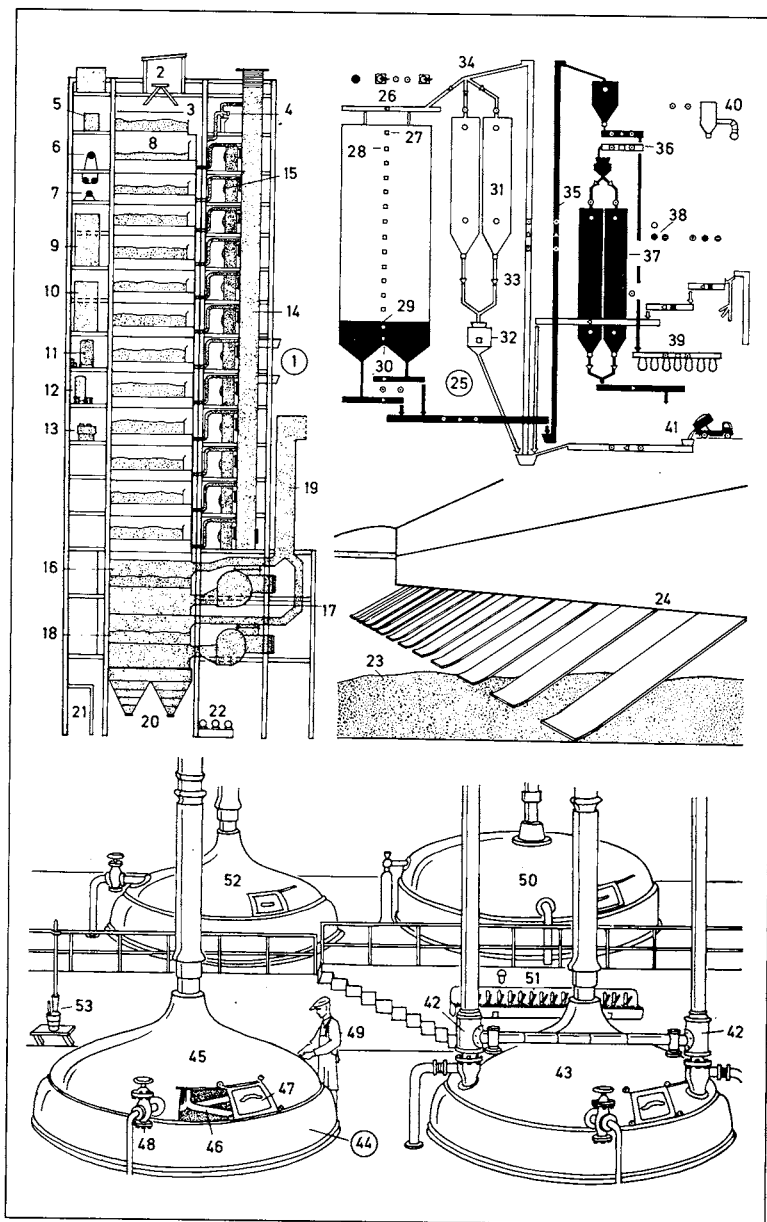
1-41 preparation of malt (malting)

- 1 malting tower (maltings)
- 2 barley hopper
- 3 washing floor with compressed-air washing unit
- 4 outflow condenser
- 5 water-collecting tank
- 6 condenser for the steep liquor
- 7 coolant collecting plant
- 8 steeping floor (steeping tank, dressing floor)
- 9 cold water tank
- 10 hot water tank
- 11 pump room
- 12 pneumatic plant
- 13 hydraulic plant
- 14 ventilation shaft (air inlet and outlet)
- 15 exhaust fan
- 16-18 kilning floors
- 16 drying floor
- 17 burner ventilator
- 18 curing floor
- 19 outlet duct from the kiln
- 20 finished malt collecting hopper
- 21 transformer station
- 22 cooling compressors
- 23 green malt (germinated barley)
- 24 turner (plough)
- 25 central control room with flow diagram
- 26 screw conveyor
- 27 washing floor
- 28 steeping floor
- 29 drying kiln
- 30 curing kiln
- 31 barley silo
- 32 weighing apparatus
- 33 barley elevator
- 34 three-way chute (three-way tippler)
- 35 malt elevator
- 36 cleaning machine
- 37 malt silo
- 38 corn removal by suction
- 39 sacker
- 40 dust extractor

41 barley reception

42-53 mashing process in the mash-house

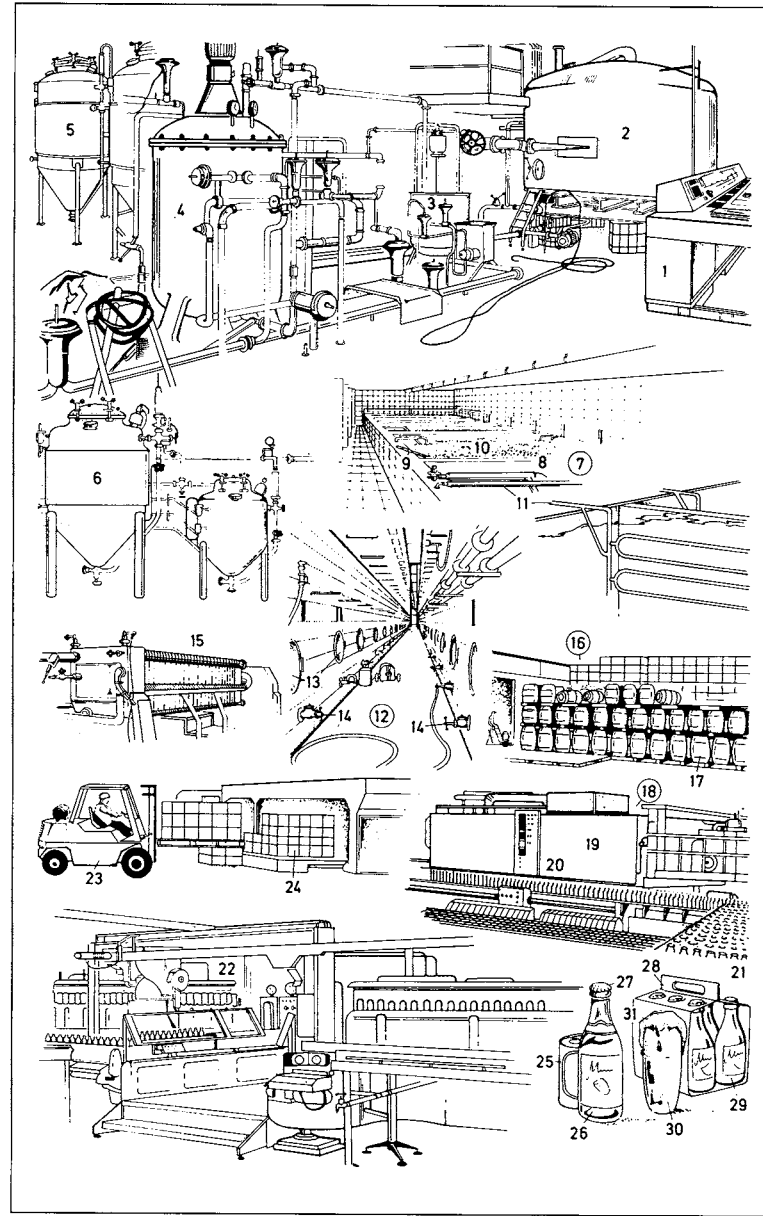
- 42 premasher (converter) for mixing grist and water
- 43 mash tub (mash tun) for mashing the malt
- 44 mash copper (mash tun, *Am.* mash kettle) for boiling the mash
- 45 dome of the tun
- 46 propeller (paddle)
- 47 sliding door
- 48 water (liquor) supply pipe
- 49 brewer (master brewer, masher)
- 50 lauter tun for settling the draff (grains) and filtering off the wort
- 51 lauter battery for testing the wort for quality
- 52 hop boiler (wort boiler) for boiling the wort
- 53 ladle-type thermometer (scoop thermometer)

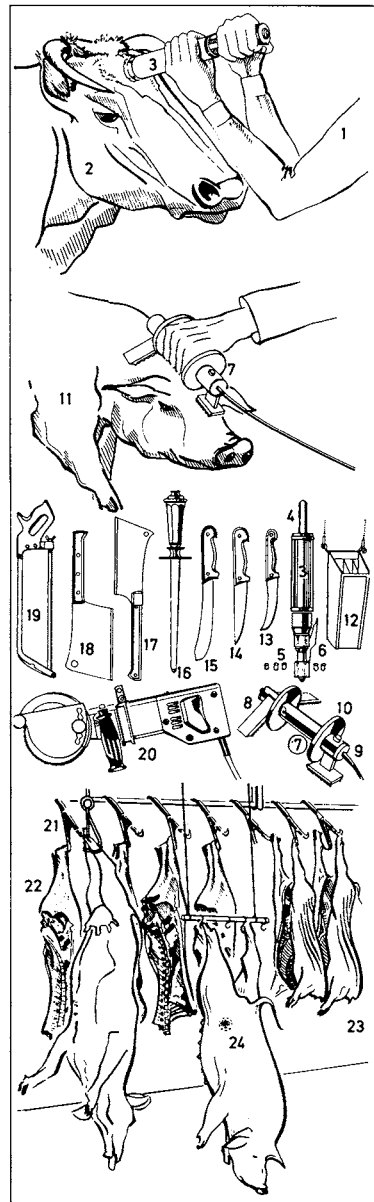


1-31 brewery (brewhouse)

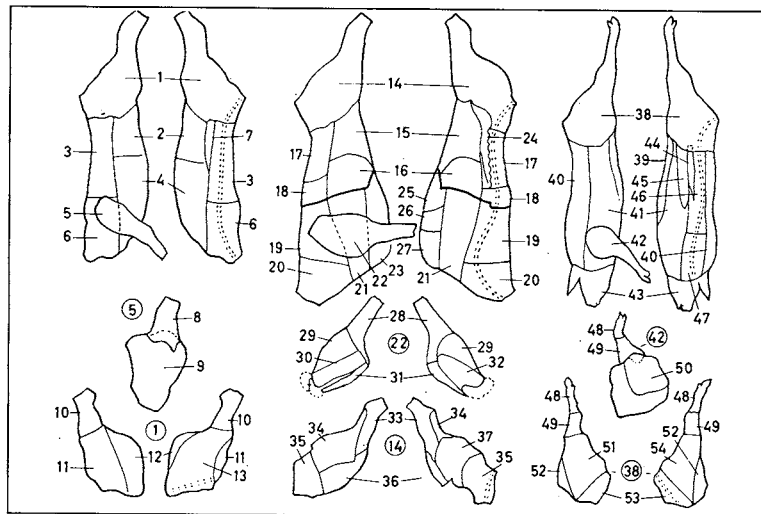
1-5 wort cooling and break removal
(trub removal)

- 1 control desk (control panel)
- 2 whirlpool separator for removing the hot break (hot trub)
- 3 measuring vessel for the kieselguhr
- 4 kieselguhr filter
- 5 wort cooler
- 6 pure culture plant for yeast (yeast propagation plant)
- 7 fermenting cellar
- 8 fermentation vessel (fermenter)
- 9 fermentation thermometer (mash thermometer)
- 10 mash
- 11 refrigeration system
- 12 lager cellar
- 13 manhole to the storage tank
- 14 broaching tap
- 15 beer filter
- 16 barrel store
- 17 beer barrel, an aluminium (*Am.* aluminum) barrel
- 18 bottle-washing plant
- 19 bottle-washing machine (bottle washer)
- 20 control panel
- 21 cleaned bottles
- 22 bottling
- 23 forklift truck (fork truck, forklift)
- 24 stack of beer crates
- 25 beer can
- 26 beer bottle, a Eurobottle with bottled beer; *kinds of beer*: light beer (lager, light ale, pale ale or bitter), dark beer (brown ale, mild), Pilsener beer, Munich beer, malt beer, strong beer (bock beer), porter, ale, stout, Salvator beer, wheat beer, small beer
- 27 crown cork (crown cork closure)
- 28 disposable pack (carry-home pack)
- 29 non-returnable bottle (single-trip bottle)
- 30 beer glass
- 31 head





- 1 slaughterman (*Am.* slaughterer, killer)
- 2 animal for slaughter, an ox
- 3 captive-bolt pistol (pneumatic gun), a stunning device
- 4 bolt
- 5 cartridges
- 6 release lever (trigger)
- 7 electric stunner
- 8 electrode
- 9 lead
- 10 hand guard (insulation)
- 11 pig (*Am.* hog) for slaughter
- 12 knife case
- 13 flaying knife
- 14 sticking knife (sticker)
- 15 butcher's knife (butcher knife)
- 16 steel
- 17 splitter
- 18 cleaver (butcher's cleaver, meat axe (*Am.* meat ax))
- 19 bone saw (butcher's saw)
- 20 meat saw for sawing meat into cuts
- 21-24 cold store (cold room)
- 21 gambrel (gambrel stick)
- 22 quarter of beef
- 23 side of pork
- 24 meat inspector's stamp



left: meat side;
right: bone side

1-13 animal: calf; meat: veal

- 1 leg with hind knuckle
- 2 flank
- 3 loin and rib
- 4 breast (breast of veal)
- 5 shoulder with fore knuckle
- 6 neck with scrag (scrag end)
- 7 best end of loin (of loin of veal)
- 8 fore knuckle
- 9 shoulder
- 10 hind knuckle
- 11 roasting round (oyster round)
- 12 cutlet for frying or braising
- 13 undercut (fillet)
- 14-37 animal: ox; meat: beef**
- 14 round with rump and shank
- 15-16 flank
- 15 thick flank
- 16 thin flank
- 17 sirloin
- 18 prime rib (fore ribs, prime fore rib)
- 19 middle rib and chuck
- 20 neck
- 21 flat rib
- 22 leg of mutton piece (bladebone) with shin
- 23 brisket (brisket of beef)
- 24 fillet (fillet of beef)
- 25 hind brisket

- 26 middle brisket
- 27 breastbone
- 28 shin
- 29 leg of mutton piece
- 30 bladebone [meat side]
- 31 part of top rib
- 32 bladebone [bone side]
- 33 shank
- 34 silverside
- 35 rump
- 36 thick flank
- 37 top side
- 38-54 animal: pig; meat: pork**
- 38 leg with knuckle and trotter
- 39 ventral part of the belly
- 40 back fat
- 41 belly
- 42 bladebone with knuckle and trotter
- 43 head (pig's head)
- 44 fillet (fillet of pork)
- 45 leaf fat (pork flare)
- 46 loin (pork loin)
- 47 spare rib
- 48 trotter
- 49 knuckle
- 50 butt
- 51 fore end (ham)
- 52 round end for boiling
- 53 fat end
- 54 gammon steak

**1-30 butcher's shop****1-4 meat**

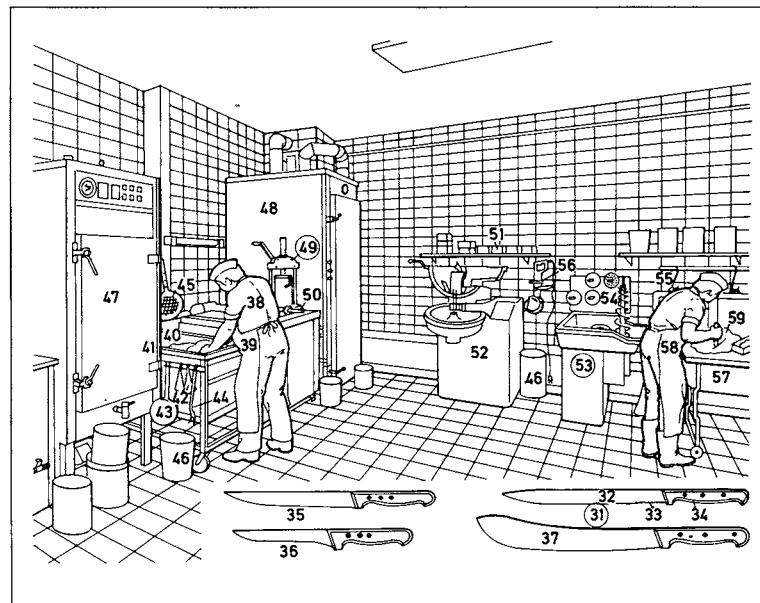
- 1 ham on the bone
- 2 flitch of bacon
- 3 smoked meat
- 4 piece of loin (piece of sirloin)
- 5 lard

6-11 sausages

- 6 price label
- 7 mortadella
- 8 scalded sausage; *kinds*: Vienna sausage (Wiener), Frankfurter sausage (Frankfurter)
- 9 collared pork (*Am.* headcheese)
- 10 ring of [Lyoner] sausage
- 11 pork sausages; *also*: beef sausages
- 12 cold shelves
- 13 meat salad (diced meat salad)
- 14 cold meats (*Am.* cold cuts)
- 15 pâté
- 16 mince (mincemeat, minced meat)
- 17 knuckle of pork
- 18 basket for special offers

19 price list for special offers

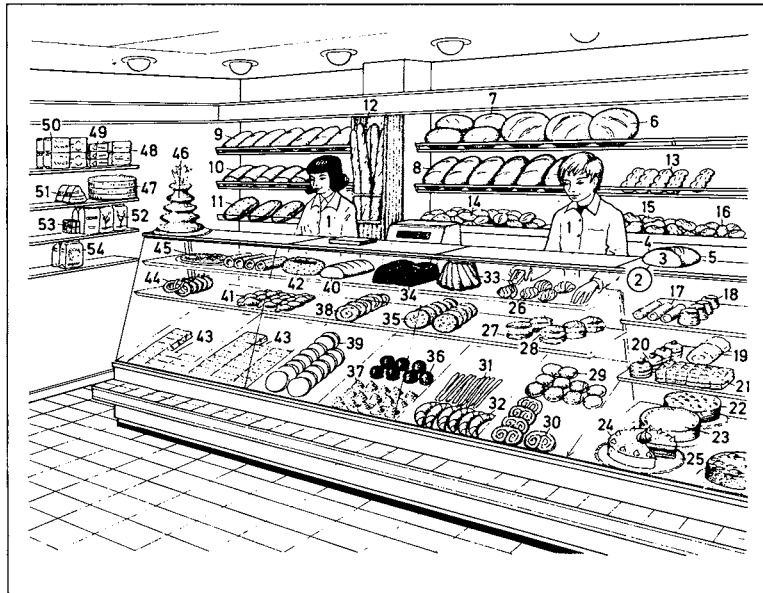
- 20 special offer
- 21 freezer
- 22 pre-packed joints
- 23 deep-frozen ready-to-eat meal
- 24 chicken
- 25 canned food
- 26 can
- 27 canned vegetables
- 28 canned fish
- 29 salad cream
- 30 soft drinks

**31-59 manufacture of sausages****31-37 butcher's knives**

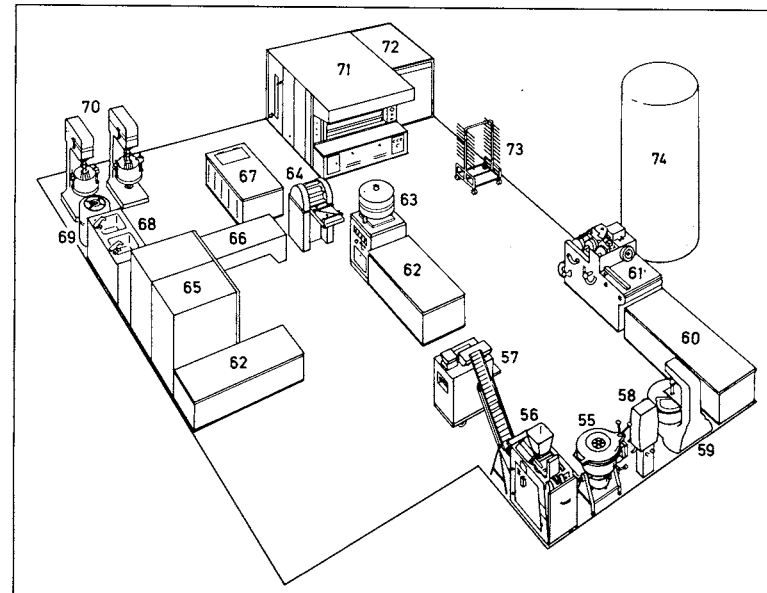
- 31 slicer
- 32 knife blade
- 33 saw teeth
- 34 knife handle
- 35 carver (carving knife)
- 36 boning knife
- 37 butcher's knife (butcher knife)
- 38 butcher (master butcher)
- 39 butcher's apron
- 40 meat-mixing trough
- 41 sausage meat
- 42 scraper
- 43 skimmer
- 44 sausage fork
- 45 scalding colander
- 46 waste bin (*Am.* trash bin)
- 47 cooker, for cooking with steam or hot air
- 48 smoke house
- 49 sausage filler (sausage stuffer)
- 50 feed pipe (supply pipe)

51 containers for vegetables

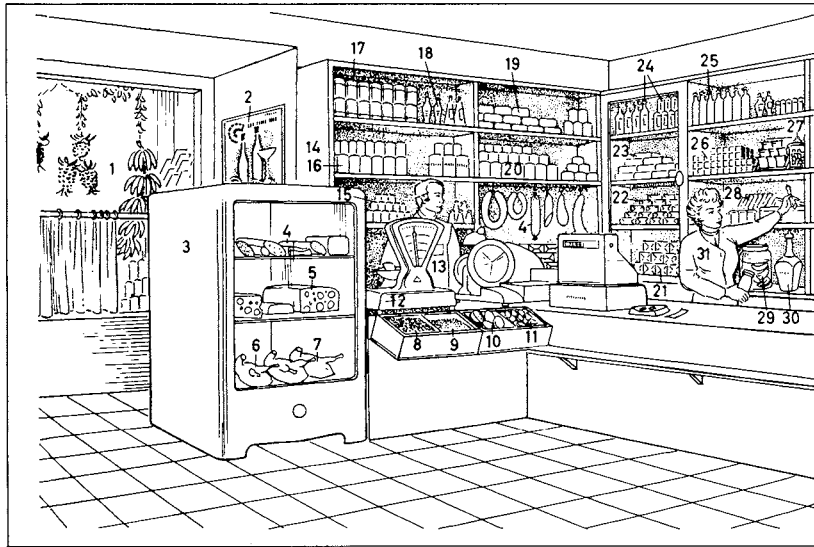
- 52 mincing machine for sausage meat
- 53 mincing machine (meat mincer, mincer, *Am.* meat grinder)
- 54 plates (steel plates)
- 55 meathook (butcher's hook)
- 56 bone saw
- 57 chopping board
- 58 butcher, cutting meat
- 59 piece of meat

**1-54 baker's shop**

- 1 shop assistant (*Am.* salesgirl, saleslady)
 2 bread (loaf of bread, loaf)
 3 crumb
 4 crust (bread crust)
 5 crust (*Am.* heel)
6-12 kinds of bread (breads)
 6 round loaf, a wheat and rye bread
 7 small round loaf
 8 long loaf (bloomer), a wheat and rye bread
 9 white loaf
 10 pan loaf, a wholemeal rye bread
 11 yeast bread (*Am.* stollen)
 12 French loaf (baguette, French stick)
13-16 rolls
 13 brown roll
 14 white roll
 15 finger roll
 16 rye-bread roll
17-47 cakes (confectionery)
 17 cream roll
 18 vol-au-vent, a puff pastry (*Am.* puff paste)
 19 Swiss roll (*Am.* jelly roll)
 20 tartlet
 21 cream slice
22-24 flans (*Am.* pies) and **gateaux** (torten)
 22 fruit flan (*kinds:* strawberry flan, cherry flan, gooseberry flan, peach flan, rhubarb flan)
 23 cheesecake
 24 cream cake (*Am.* cream pie) (*kinds:* butter-cream cake, Black Forest gateau)
 25 cake plate
 26 meringue
 27 cream puff
 28 whipped cream
 29 doughnut (*Am.* bismarck)
 30 Danish pastry
 31 saltstick (*Salzstange*) (*also:* caraway roll, caraway stick)
 32 croissant (crescent roll, *Am.* crescent)



- 33 ring cake (gugelhupf)
 34 slab cake with chocolate icing
 35 streusel cakes
 36 marshmallow
 37 coconut macaroon
 38 pastry whirl
 39 iced bun
 40 sweet bread
 41 plaited bun (plait)
 42 Frankfurter garland cake
 43 slices (*kinds:* streusel slices, sugared slices, plum slices)
 44 pretzel
 45 wafer (*Am.* waffle)
 46 tree cake (baumkuchen)
 47 flan case
48-50 wrapped bread
 48 wholemeal bread (*also:* wheatgerm bread)
 49 pumpernickel (wholemeal rye bread)
 50 crispbread
 51 gingerbread (*Am.* lebkuchen)
 52 flour (*kinds:* wheat flour, rye flour)
 53 yeast (baker's yeast)
 54 rusks (French toast)
55-74 bakery (bakehouse)
 55 kneading machine (dough mixer)
56-57 bread unit
 56 divider
 57 moulder (*Am.* molder)
 58 premixer
 59 dough mixer
 60 workbench
 61 roll unit
 62 workbench
 63 divider and rounder (rounding machine)
 64 crescent-forming machine
 65 freezers
 66 oven [for baking with fat]
67-70 confectionery unit
 67 cooling table
 68 sink
 69 boiler
 70 whipping unit [with beater]
 71 reel oven (oven)
 72 fermentation room
 73 fermentation trolley
 74 flour silo



1-87 grocer's shop (grocer's, delicatessen shop, *Am.* grocery store, delicatessen store), a retail shop (*Am.* retail store)

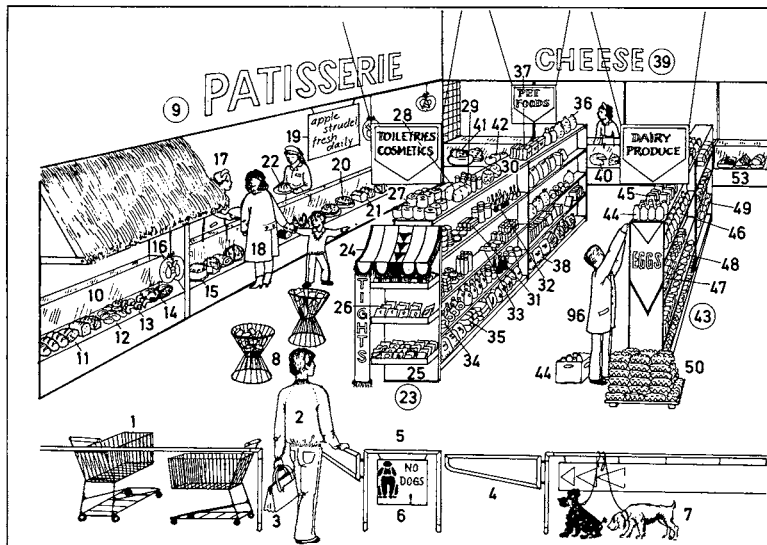
- 1 window display
- 2 poster (advertisement)
- 3 cold shelves
- 4 sausages
- 5 cheese
- 6 roasting chicken (broiler)
- 7 poulard, a fattened hen
- 8-11 baking ingredients**
- 8 raisins; *sim.*: sultanas
- 9 currants
- 10 candied lemon peel
- 11 candied orange peel
- 12 computing scale, a rapid scale
- 13 shop assistant (*Am.* salesclerk)
- 14 goods shelves (shelves)
- 15-20 canned food**
- 15 canned milk
- 16 canned fruit (cans of fruit)
- 17 canned vegetables
- 18 fruit juice
- 19 sardines in oil, a can of fish
- 20 canned meat (cans of meat)
- 21 margarine

- 22 butter
- 23 coconut oil, a vegetable oil
- 24 oil; *kinds*: salad oil, olive oil, sunflower oil, wheatgerm oil, groundnut oil
- 25 vinegar
- 26 stock cube
- 27 bouillon cube
- 28 mustard
- 29 pickled gherkin
- 30 soup seasoning
- 31 shop assistant (*Am.* salesgirl, saleslady)
- 32-34 pastas**
- 32 spaghetti
- 33 macaroni
- 34 noodles
- 35-39 cereal products**
- 35 pearl barley
- 36 semolina
- 37 rolled oats (porridge oats, oats)
- 38 rice
- 39 sago
- 40 salt
- 41 grocer (*Am.* groceryman), a shopkeeper (tradesman, retailer, *Am.* storekeeper)



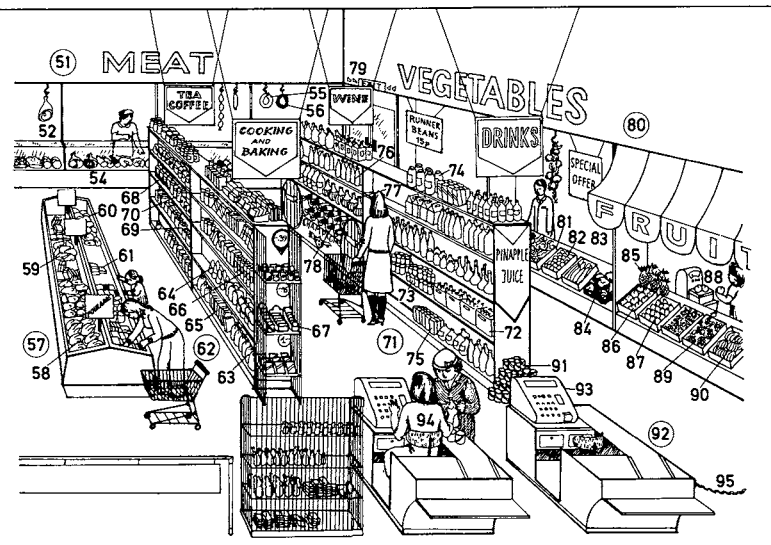
- 42 capers
- 43 customer
- 44 receipt (sales check)
- 45 shopping bag
- 46-49 wrapping material**
- 46 wrapping paper
- 47 adhesive tape
- 48 paper bag
- 49 cone-shaped paper bag
- 50 blancmange powder
- 51 whole-fruit jam (preserve)
- 52 jam
- 53-55 sugar**
- 53 cube sugar
- 54 icing sugar (*Am.* confectioner's sugar)
- 55 refined sugar in crystals
- 56-59 spirits**
- 56 whisky (whiskey)
- 57 rum
- 58 liqueur
- 59 brandy (cognac)
- 60-64 wine in bottles (bottled wine)**
- 60 white wine
- 61 Chianti
- 62 vermouth
- 63 sparkling wine

- 64 red wine
- 65-68 tea, coffee, etc.**
- 65 coffee (pure coffee)
- 66 cocoa
- 67 coffee
- 68 tea bag
- 69 electric coffee grinder
- 70 coffee roaster
- 71 roasting drum
- 72 sample scoop
- 73 price list
- 74 freezer
- 75-86 confectionery** (*Am.* candies)
- 75 sweet (*Am.* candy)
- 76 drops
- 77 toffees
- 78 bar of chocolate
- 79 chocolate box
- 80 chocolate, a sweet
- 81 nougat
- 82 marzipan
- 83 chocolate liqueur
- 84 Turkish delight
- 85 croquant
- 86 truffle
- 87 soda water



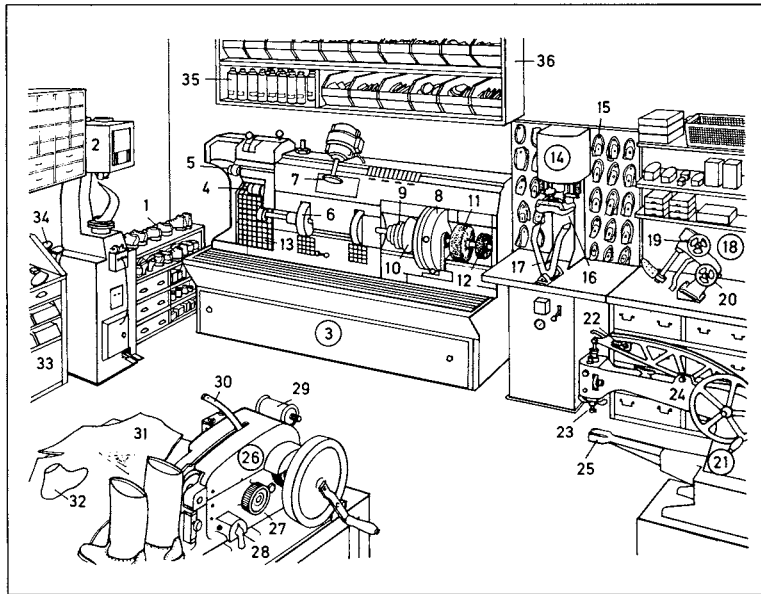
- 1-96 supermarket, a self-service food store
- 1 shopping trolley
 - 2 customer
 - 3 shopping bag
 - 4 entrance to the sales area
 - 5 barrier
 - 6 sign (notice) banning dogs
 - 7 dogs tied by their leads
 - 8 basket
 - 9 bread and cake counter (bread counter, cake counter)
 - 10 display counter for bread and cakes
 - 11 kinds of bread (breads)
 - 12 rolls
 - 13 croissants (crescent rolls, *Am.* crescents)
 - 14 round loaf
 - 15 gateau
 - 16 pretzel [made with yeast dough]
 - 17 shop assistant (*Am.* salesgirl, saleslady)
 - 18 customer
 - 19 sign listing goods
 - 20 fruit flan
 - 21 slab cake
 - 22 ring cake
 - 23 cosmetics gondola, a gondola (sales shelves)

- 24 canopy
- 25 hosiery shelf
- 26 stockings (nylons)
- 27-35 toiletries (cosmetics)
- 27 jar of cream (cream; *kinds:* moisturising cream, day cream, night-care cream, hand cream)
- 28 packet of cotton wool
- 29 talcum powder
- 30 packet of cotton wool balls
- 31 toothpaste
- 32 nail varnish (nail polish)
- 33 shaving cream
- 34 bath salts
- 35 sanitary articles
- 36, 37 pet foods
- 36 complete dog food
- 37 packet of dog biscuits
- 38 bag of cat litter
- 39 cheese counter
- 40 whole cheese
- 41 Swiss cheese (Emmental cheese) with holes
- 42 Edam cheese, a round cheese
- 43 gondola for dairy products
- 44 long-life milk; *also:* pasteurized milk, homogenized milk)
- 45 plastic milk bag



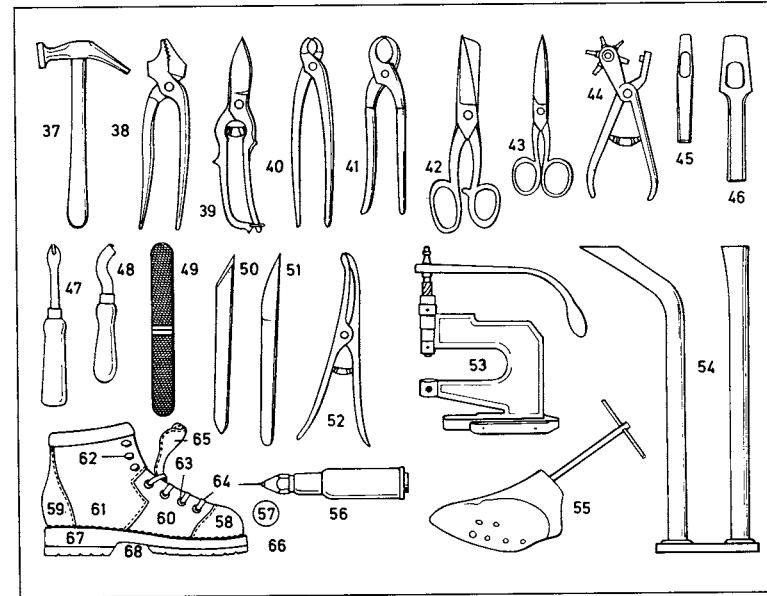
- 46 cream
- 47 butter
- 48 margarine
- 49 box of cheeses
- 50 box of eggs
- 51 fresh meat counter (meat counter)
- 52 ham on the bone
- 53 meat (meat products)
- 54 sausages
- 55 ring of pork sausage
- 56 ring of blood sausage
- 57 freezer
- 58-61 frozen food
- 58 poulard
- 59 turkey leg (drumstick)
- 60 boiling fowl
- 61 frozen vegetables
- 62 gondola for baking ingredients and cereal products
- 63 wheat flour
- 64 sugar loaf
- 65 packet of noodles
- 66 salad oil
- 67 packet of spice
- 68-73 tea, coffee, etc.
- 68 coffee
- 69 packet of tea
- 70 instant coffee

- 71 drinks gondola
- 72 soft drinks
- 73 can of beer
- 74 bottle of fruit juice
- 75 can of fruit juice
- 76 bottle of wine
- 77 bottle of Chianti
- 78 bottle of champagne
- 79 emergency exit
- 80 fruit and vegetable counter
- 81 vegetable basket
- 82 tomatoes
- 83 cucumbers
- 84 cauliflower
- 85 pineapple
- 86 apples
- 87 pears
- 88 scales for weighing fruit
- 89 grapes (bunches of grapes)
- 90 bananas
- 91 can
- 92 checkout
- 93 cash register
- 94 cashier
- 95 chain
- 96 assistant departmental manager

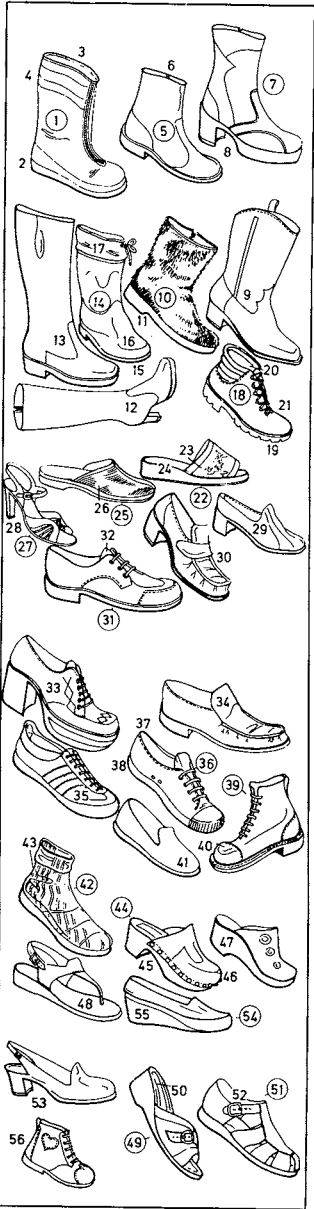


1-68 shoemaker's workshop (bootmaker's workshop)

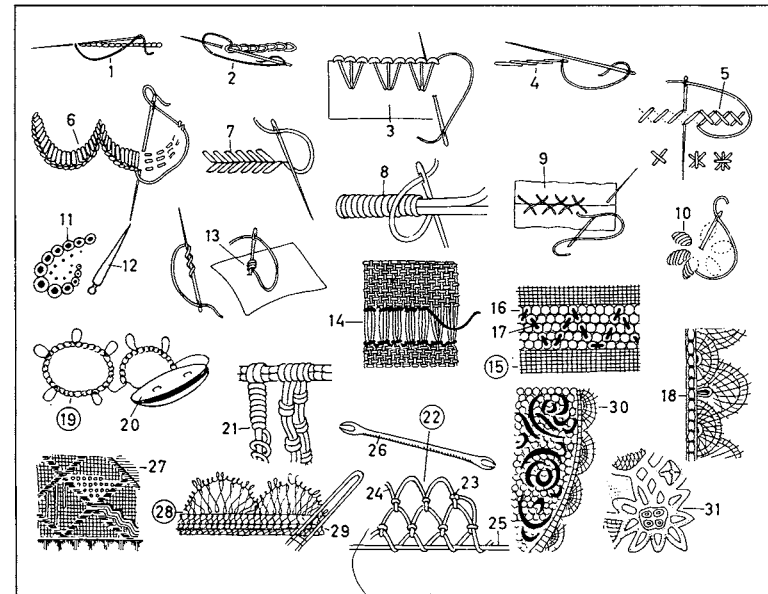
- | | |
|-----------------------------|---|
| 1 finished (repaired) shoes | 22 power regulator (power control) |
| 2 auto-soleing machine | 23 foot |
| 3 finishing machine | 24 handwheel |
| 4 heel trimmer | 25 arm |
| 5 sole trimmer | 26 sole stitcher (sole-stitching machine) |
| 6 scouring wheel | 27 foot bar lever |
| 7 naum keag | 28 feed adjustment (feed setting) |
| 8 drive unit (drive wheel) | 29 bobbin (cotton bobbin) |
| 9 iron | 30 thread guide (yarn guide) |
| 10 buffing wheel | 31 sole leather |
| 11 polishing brush | 32 [wooden] last |
| 12 horsehair brush | 33 workbench |
| 13 extractor grid | 34 last |
| 14 automatic sole press | 35 dye spray |
| 15 press attachment | 36 shelves for materials |
| 16 pad | |
| 17 press bar | |
| 18 stretching machine | |
| 19 width adjustment | |
| 20 length adjustment | |
| 21 stitching machine | |



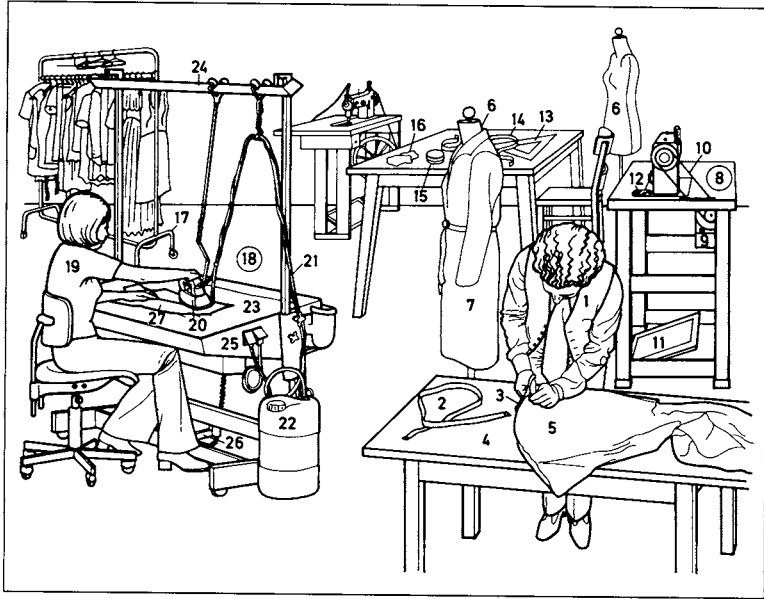
- | | |
|--|------------------------------|
| 37 shoemaker's hammer | 58 toecap |
| 38 shoemaker's pliers (welt pincers) | 59 counter |
| 39 sole-leather shears | 60 vamp |
| 40 small pincers (nippers) | 61 quarter |
| 41 large pincers (nippers) | 62 hook |
| 42 upper-leather shears | 63 eyelet |
| 43 scissors | 64 lace (shoelace, bootlace) |
| 44 revolving punch (rotary punch) | 65 tongue |
| 45 punch | 66 sole |
| 46 punch with handle | 67 heel |
| 47 nail puller | 68 shank (waist) |
| 48 welt cutter | |
| 49 shoemaker's rasp | |
| 50 cobbler's knife (shoemaker's knife) | |
| 51 skiving knife (skife knife, paring knife) | |
| 52 toecap remover | |
| 53 eyelet, hook, and press-stud setter | |
| 54 stand (with iron lasts) | |
| 55 width-setting tree | |
| 56 nail grip | |
| 57 boot | |



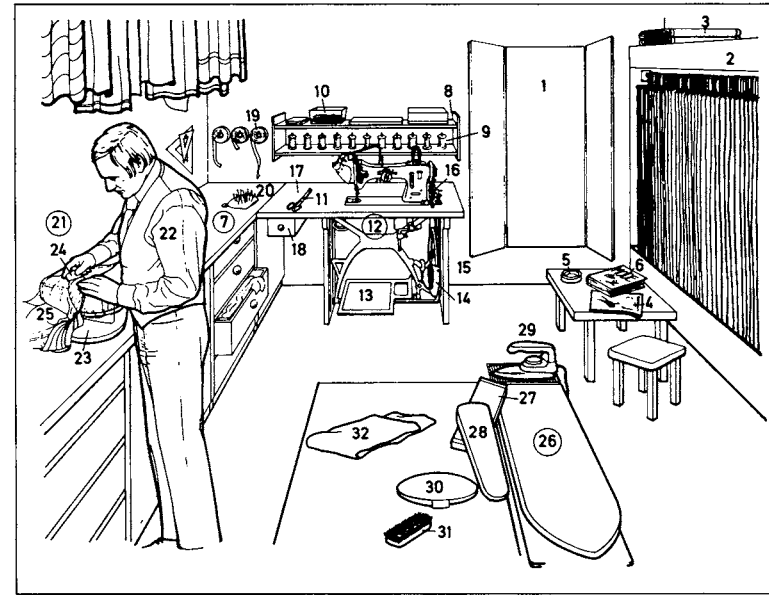
- 1 winter boot
- 2 PVC sole (plastic sole)
- 3 high-pile lining
- 4 nylon
- 5 men's boot
- 6 inside zip (*Am.* zipper)
- 7 men's high leg boot
- 8 platform sole (platform)
- 9 Western boot (cowboy boot)
- 10 pony-skin boot
- 11 cemented sole
- 12 ladies' boot
- 13 men's high leg boot
- 14 seamless PVC waterproof wellington boot
- 15 natural-colour (*Am.* natural-color) sole
- 16 toecap
- 17 tricot lining (knitwear lining)
- 18 hiking boot
- 19 grip sole
- 20 padded collar
- 21 tie fastening (lace fastening)
- 22 open-toe mule
- 23 terry upper
- 24 polo outsole
- 25 mule
- 26 corduroy upper
- 27 evening sandal (sandal court shoe)
- 28 high heel (stiletto heel)
- 29 court shoe (*Am.* pump)
- 30 moccasin
- 31 shoe, a tie shoe (laced shoe, Oxford shoe, *Am.* Oxford)
- 32 tongue
- 33 high-heeled shoe (shoe with raised heel)
- 34 casual
- 35 trainer (training shoe)
- 36 tennis shoe
- 37 counter (stiffening)
- 38 natural-colour (*Am.* natural-color) rubber sole
- 39 heavy-duty boot (*Am.* stogy, stogie)
- 40 toecap
- 41 slipper
- 42 woollen (*Am.* woollen) slip sock
- 43 knit stitch (knit)
- 44 clog
- 45 wooden sole
- 46 soft-leather upper
- 47 sabot
- 48 toe post sandal
- 49 ladies' sandal
- 50 surgical footbed (sock)
- 51 sandal
- 52 shoe buckle (buckle)
- 53 sling-back court shoe (*Am.* sling pump)
- 54 fabric court shoe
- 55 wedge heel
- 56 baby's first walking boot



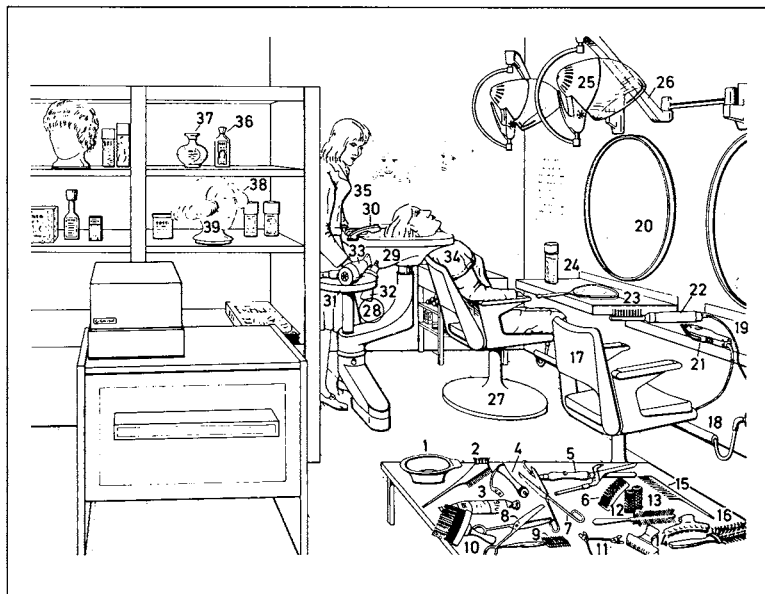
- | | |
|--|---|
| <ol style="list-style-type: none"> 1 backstitch seam 2 chain stitch 3 ornamental stitch 4 stem stitch 5 cross stitch 6 buttonhole stitch (button stitch) 7 fishbone stitch 8 overcast stitch 9 herringbone stitch (Russian stitch, Russian cross stitch) 10 satin stitch (flat stitch) 11 eyelet embroidery (broderie anglaise) 12 stiletto 13 French knot (French dot, knotted stitch, twisted knot stitch) 14 hem stitch work 15 tulle work (tulle lace) 16 tulle background (net background) 17 darning stitch 18 pillow lace (bobbin lace, bone lace); <i>kinds</i>: Valenciennes, Brussels lace | <ol style="list-style-type: none"> 19 tatting 20 tatting shuttle (shuttle) 21 knotted work (macramé) 22 filet (netting) 23 netting loop 24 netting thread 25 mesh pin (mesh gauge) 26 netting needle 27 open work 28 gimping (hairpin work) 29 gimping needle (hairpin) 30 needlepoint lace (point lace, needlepoint); <i>kinds</i>: reticella lace, Venetian lace, Alençon lace; <i>sim.</i>: with metal thread: filigree work 31 braid embroidery (braid work) |
|--|---|

**1-27 dressmaker's workroom**

- | | |
|---|--|
| 1 dressmaker | 20 steam iron |
| 2 tape measure (measuring tape), a metre (<i>Am.</i> meter) tape measure | 21 water feed pipe |
| 3 cutting shears | 22 water container |
| 4 cutting table | 23 adjustable-tilt ironing surface |
| 5 model dress | 24 lift device for the iron |
| 6 dressmaker's model (dressmaker's dummy, dress form) | 25 steam extractor |
| 7 model coat | 26 foot switch controlling steam extraction |
| 8 sewing machine | 27 pressed non-woven woollen (<i>Am.</i> woolen) fabric |
| 9 drive motor | |
| 10 drive belt | |
| 11 treadle | |
| 12 sewing machine cotton (sewing machine thread) [on bobbin] | |
| 13 cutting template | |
| 14 seam binding | |
| 15 button box | |
| 16 remnant | |
| 17 movable clothes rack | |
| 18 hand-iron press | |
| 19 presser (ironer) | |

**1-32 tailor's workroom**

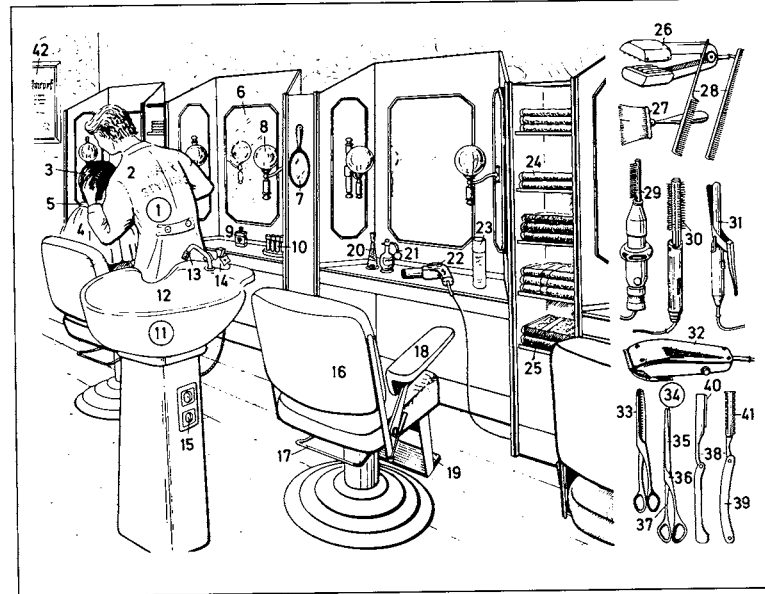
- | | |
|---|--------------------------------------|
| 1 triple mirror | 22 tailor |
| 2 lengths of material | 23 shaping pad |
| 3 suiting | 24 tailor's chalk (French chalk) |
| 4 fashion journal (fashion magazine) | 25 workpiece |
| 5 ashtray | 26 steam press (steam pressing unit) |
| 6 fashion catalogue | 27 swivel arm |
| 7 workbench | 28 pressing cushion (pressing pad) |
| 8 wall shelves (wall shelf unit) | 29 iron |
| 9 cotton reel | 30 hand-ironing pad |
| 10 small reels of sewing silk | 31 clothes brush |
| 11 hand shears | 32 pressing cloth |
| 12 combined electric and treadle sewing machine | |
| 13 treadle | |
| 14 dress guard | |
| 15 band wheel | |
| 16 bobbin thread | |
| 17 sewing machine table | |
| 18 sewing machine drawer | |
| 19 seam binding | |
| 20 pincushion | |
| 21 marking out | |



1-39 ladies' hairdressing salon and beauty salon (*Am.* beauty parlor, beauty shop)

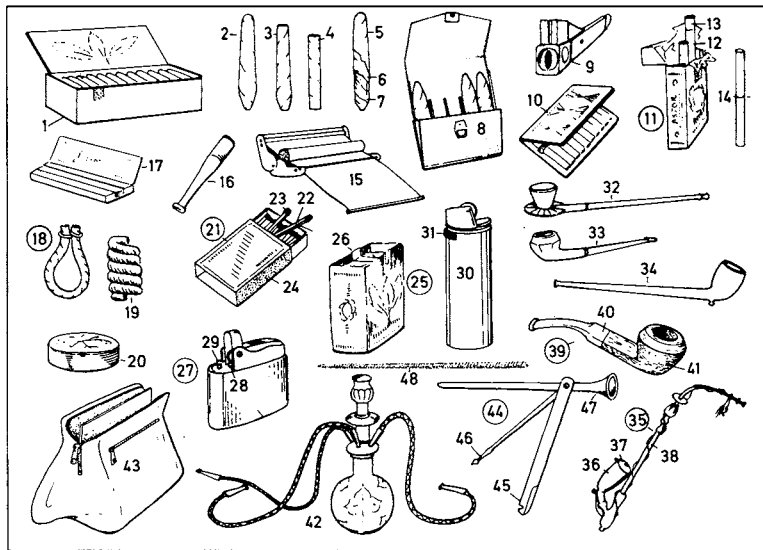
1-16 hairdresser's tools

- 1 bowl containing bleach
- 2 detangling brush
- 3 bleach tube
- 4 curler [used in dyeing]
- 5 curling tongs (curling iron)
- 6 comb (back comb, side comb)
- 7 haircutting scissors
- 8 thinning scissors (*Am.* thinning shears)
- 9 thinning razor
- 10 hairbrush
- 11 hair clip
- 12 roller
- 13 curl brush
- 14 curl clip
- 15 dressing comb
- 16 stiff-bristle brush
- 17 adjustable hairdresser's chair
- 18 footrest
- 19 dressing table
- 20 salon mirror (mirror)
- 21 electric clippers
- 22 warm-air comb
- 23 hand mirror (hand glass)
- 24 hairspray (hair-fixing spray)
- 25 drier, a swivel-mounted drier
- 26 swivel arm of the drier
- 27 round base
- 28 shampoo unit
- 29 shampoo basin
- 30 hand spray (shampoo spray)
- 31 service tray
- 32 shampoo bottle
- 33 hair drier (hand hair drier, hand-held hair drier)
- 34 cape (gown)
- 35 hairdresser
- 36 perfume bottle
- 37 bottle of toilet water
- 38 wig
- 39 wig block

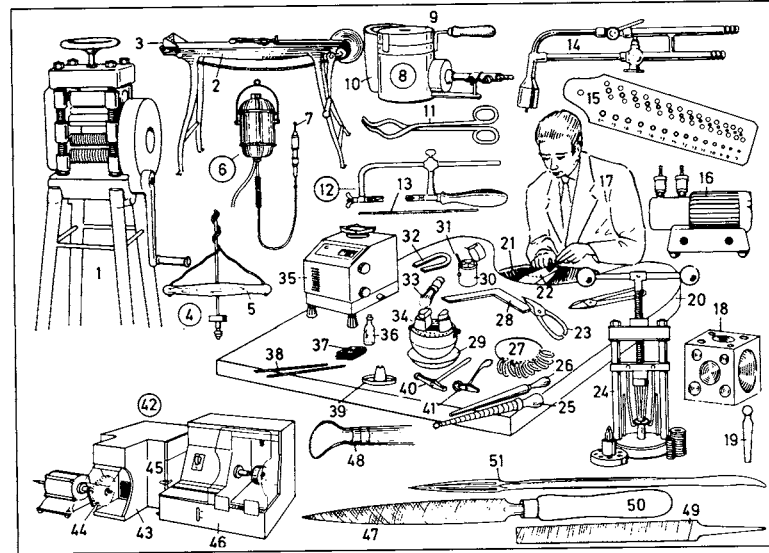


1-42 men's salon (men's hairdressing salon, barber's shop, *Am.* barber-shop)

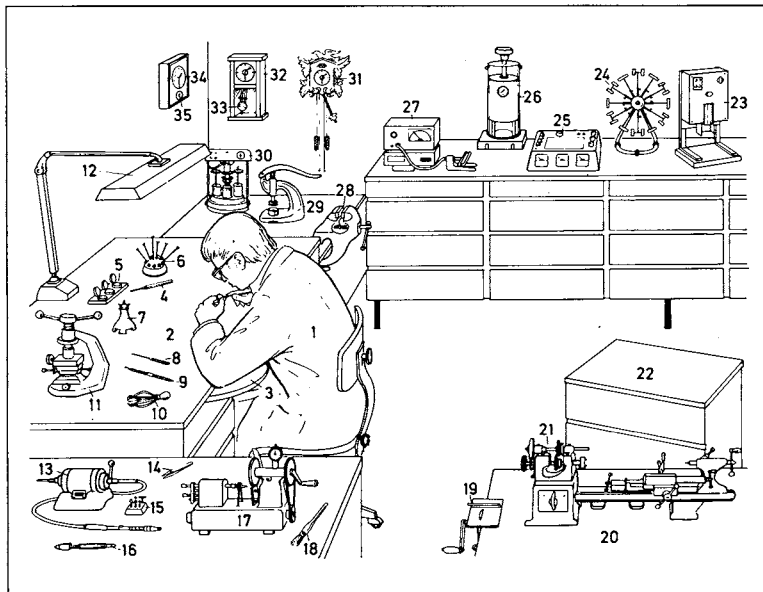
- 1 hairdresser (barber)
- 2 overalls (hairdresser's overalls)
- 3 hairstyle (haircut)
- 4 cape (gown)
- 5 paper towel
- 6 salon mirror (mirror)
- 7 hand mirror (hand glass)
- 8 light
- 9 toilet water
- 10 hair tonic
- 11 shampoo unit
- 12 shampoo basin
- 13 hand spray (shampoo spray)
- 14 mixer tap (*Am.* mixing faucet)
- 15 sockets, e.g. for hair drier
- 16 adjustable hairdresser's chair (barber's chair)
- 17 height-adjuster bar (height adjuster)
- 18 armrest
- 19 footrest
- 20 shampoo
- 21 perfume spray
- 22 hair drier (hand hair drier, hand-held hair drier)
- 23 setting lotion in a spray can
- 24 hand towels for drying hair
- 25 towels for face compresses
- 26 crimping iron
- 27 neck brush
- 28 dressing comb
- 29 warm-air comb
- 30 warm-air brush
- 31 curling tongs (hair curler, curling iron)
- 32 electric clippers
- 33 thinning scissors (*Am.* thinning shears)
- 34 haircutting scissors; *sim.*: styling scissors
- 35 scissor-blade
- 36 pivot
- 37 handle
- 38 open razor (straight razor)
- 39 razor handle
- 40 edge (cutting edge, razor's edge, razor's cutting edge)
- 41 thinning razor
- 42 diploma



- | | |
|---|--|
| 1 cigar box | 26 revenue stamp |
| 2 cigar; <i>kinds</i> : Havana cigar (Havana), Brazilian cigar, Sumatra cigar | 27 petrol cigarette lighter (petrol lighter) |
| 3 cigarillo | 28 flint |
| 4 cheroot | 29 wick |
| 5 wrapper | 30 gas cigarette lighter (gas lighter), a disposable lighter |
| 6 binder | 31 flame regulator |
| 7 filler | 32 chibonk (chibonque) |
| 8 cigar case | 33 short pipe |
| 9 cigar cutter | 34 clay pipe (Dutch pipe) |
| 10 cigarette case | 35 long pipe |
| 11 cigarette packet (<i>Am. pack</i>) | 36 pipe bowl (bowl) |
| 12 cigarette, a filter-tipped cigarette | 37 bowl lid |
| 13 cigarette tip; <i>kinds</i> : cork tip, gold tip | 38 pipe stem (stem) |
| 14 Russian cigarette | 39 briar pipe |
| 15 cigarette roller | 40 mouthpiece |
| 16 cigarette holder | 41 sand-blast finished or polished briar grain |
| 17 packet of cigarette papers | 42 hookah (narghile, narghileh), a water pipe |
| 18 pigtail (twist of tobacco) | 43 tobacco pouch |
| 19 chewing tobacco; <i>a piece</i> : plug (quid, chew) | 44 smoker's companion |
| 20 snuff box, containing snuff | 45 pipe scraper |
| 21 matchbox | 46 pipe cleaner |
| 22 match | 47 tobacco presser |
| 23 head (match head) | 48 pipe cleaner |
| 24 striking surface | |
| 25 packet of tobacco; <i>kinds</i> : fine cut, shag, navy plug | |



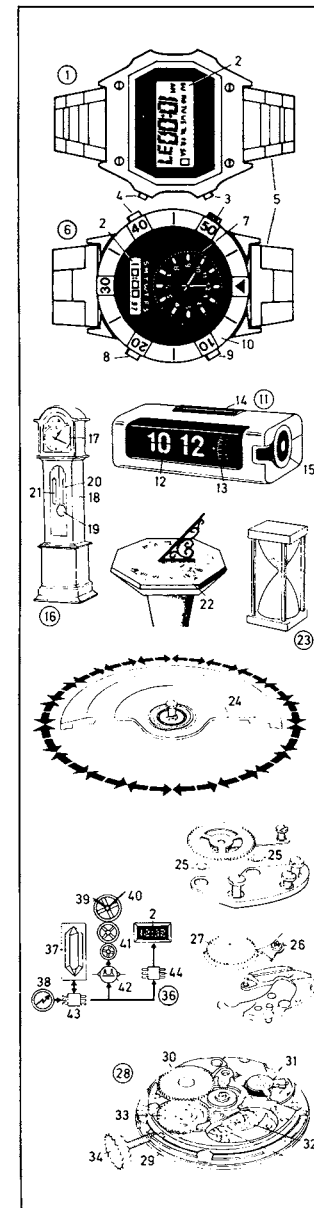
- | | |
|---|---|
| 1 wire and sheet roller | 27 ring gauge (<i>Am. gage</i>) |
| 2 drawbench (drawing bench) | 28 steel set-square |
| 3 wire (gold or silver wire) | 29 (circular) leather pad |
| 4 archimedes drill (drill) | 30 box of punches |
| 5 crossbar | 31 punch |
| 6 suspended (pendant) electric drilling machine | 32 magnet |
| 7 spherical cutter (cherry) | 33 bench brush |
| 8 melting pot | 34 engraving ball (joint vice, clamp) |
| 9 fireclay top | 35 gold and silver balance (assay balance), a precision balance |
| 10 graphite crucible | 36 soldering flux (flux) |
| 11 crucible tongs | 37 charcoal block |
| 12 piercing saw (jig saw) | 38 stick of solder |
| 13 piercing saw blade | 39 soldering borax |
| 14 soldering gun | 40 shaping hammer |
| 15 thread tapper | 41 chasing (enchasing) hammer |
| 16 blast burner (blast lamp) for soldering | 42 polishing and burnishing machine |
| 17 goldsmith | 43 dust exhaustor (vacuum cleaner) |
| 18 swage block | 44 polishing wheel |
| 19 punch | 45 dust collector (dust catcher) |
| 20 workbench (bench) | 46 buffing machine |
| 21 bench apron | 47 round file |
| 22 needle file | 48 bloodstone (haematite, hematite) |
| 23 metal shears | 49 flat file |
| 24 wedding ring sizing machine | 50 file handle |
| 25 ring gauge (<i>Am. gage</i>) | 51 polishing iron (burnisher) |
| 26 ring-rounding tool | |

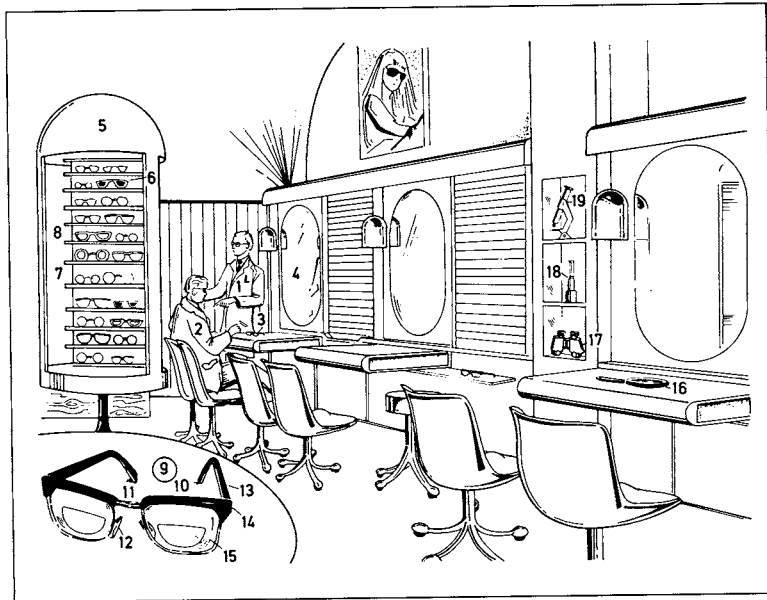


- 1 watchmaker; *also*: clockmaker
- 2 workbench
- 3 armrest
- 4 oiler
- 5 oil stand
- 6 set of screwdrivers
- 7 clockmaker's anvil
- 8 broach, a reamer
- 9 spring pin tool
- 10 hand-removing tool
- 11 watchglass-fitting tool
- 12 workbench lamp, a multi-purpose lamp
- 13 multi-purpose motor
- 14 tweezers
- 15 polishing machine attachments
- 16 pin vice (pin holder)
- 17 burnisher, for burnishing, polishing, and shortening of spindles
- 18 dust brush
- 19 cutter for metal watch straps
- 20 precision bench lathe (watchmaker's lathe)

- 21 drive-belt gear
- 22 workshop trolley for spare parts
- 23 ultrasonic cleaner
- 24 rotating watch-testing machine for automatic watches
- 25 watch-timing machine for electronic components
- 26 testing device for waterproof watches
- 27 electronic timing machine
- 28 vice (*Am.* vise)
- 29 watchglass-fitting tool for armoured (*Am.* armored) glasses
- 30 [automatic] cleaning machine for conventional cleaning
- 31 cuckoo clock (Black Forest clock)
- 32 wall clock (regulator)
- 33 compensation pendulum
- 34 kitchen clock
- 35 timer

- 1 electronic wristwatch
- 2 digital display (a light-emitting diode (LED) display; *also*: a liquid crystal display, LCD)
- 3 hour and minute button (on 6, also for setting the analogue (*Am.* analog) display)
- 4 date and second button
- 5 strap (watch strap)
- 6 multifunction electronic watch
- 7 analogue (*Am.* analog) display
- 8 alarm button
- 9 stopwatch button
- 10 rotating bezel (time-lapse indicator ring)
- 11 calendar clock (alarm clock)
- 12 digital display with flip-over numerals
- 13 alarm indicator
- 14 stop button
- 15 forward and backward wind knob
- 16 grandfather clock
- 17 face
- 18 clock case
- 19 pendulum
- 20 striking weight
- 21 time weight
- 22 sundial
- 23 hourglass (egg timer)
- 24-35 components of an automatic watch (automatic wristwatch, self-winding watch)
- 24 weight (rotor)
- 25 stone (jewel, jewelled bearing) a synthetic ruby
- 26 click
- 27 click wheel
- 28 clockwork (clockwork mechanism)
- 29 bottom train plate
- 30 spring barrel
- 31 balance wheel
- 32 escape wheel
- 33 crown wheel
- 34 winding crown
- 35 drive mechanism
- 36 principle of the electronic quartz watch
- 37 quartz
- 38 power source (a button cell)
- 39 hour hand
- 40 minute hand
- 41 wheels
- 42 stepping motor (stepper motor)
- 43 frequency divider (integrated circuit)
- 44 decoder

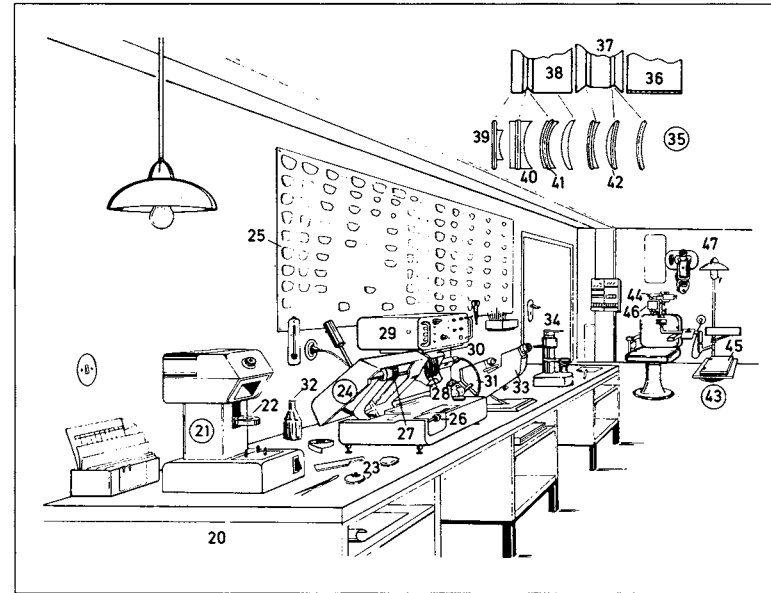


**1-19 sales premises****1-4 spectacle fitting**

- 1 optician
- 2 customer
- 3 trial frame
- 4 mirror
- 5 stand with spectacle frames (display of frames, range of spectacles)
- 6 sunglasses (sun spectacles)
- 7 metal frame
- 8 tortoiseshell frame (shell frame)
- 9 spectacles (glasses)

10-14 spectacle frame

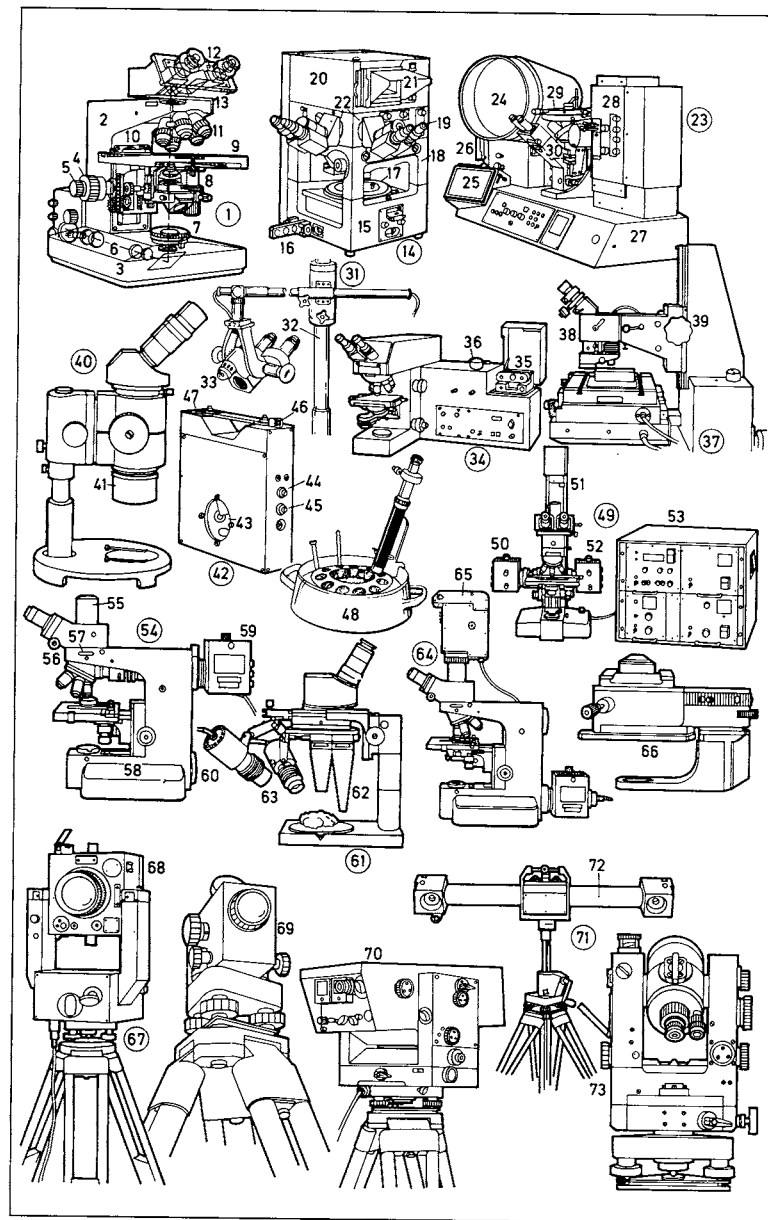
- 10 fitting (mount) of the frame
- 11 bridge
- 12 pad bridge
- 13 side
- 14 side joint
- 15 spectacle lens, a bifocal lens
- 16 hand mirror (hand glass)
- 17 binoculars
- 18 monocular telescope (tube)
- 19 microscope

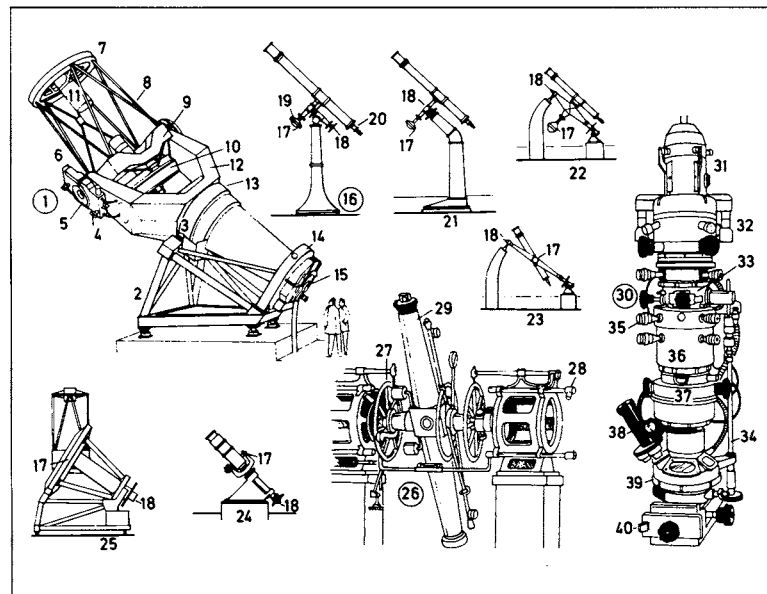
**20-47 optician's workshop**

- 20 workbench
- 21 universal centring (centering) apparatus
- 22 centring (centering) suction holder
- 23 sucker
- 24 edging machine
- 25 formers for the lens edging machine
- 26 inserted former
- 27 rotating printer
- 28 abrasive wheel combination
- 29 control unit
- 30 machine part
- 31 cooling water pipe
- 32 cleaning fluid
- 33 focimeter (vertex refractometer)
- 34 metal-blocking device
- 35 abrasive wheel combination and forms of edging
- 36 roughing wheel for preliminary surfacing
- 37 fining lap for positive and negative lens surfaces
- 38 fining lap for special and flat lenses
- 39 plano-concave lens with a flat surface
- 40 plano-concave lens with a special surface
- 41 concave and convex lens with a special surface
- 42 convex and concave lens with a special surface
- 43 ophthalmic test stand
- 44 phoropter with ophthalmometer and optometer (refractometer)
- 45 trial lens case
- 46 collimator
- 47 acuity projector

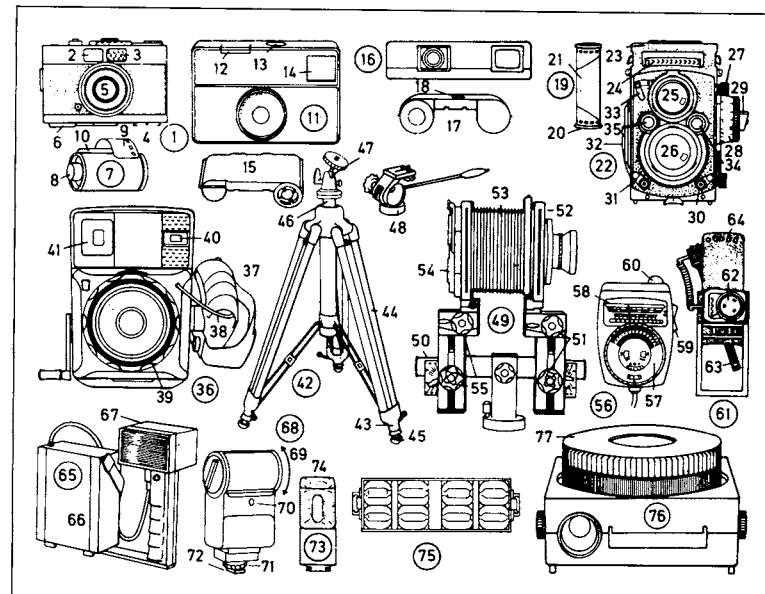
- 1 laboratory and research microscope, *Leitz system*
- 2 stand
- 3 base
- 4 coarse adjustment
- 5 fine adjustment
- 6 illumination beam path (illumination path)
- 7 illumination optics
- 8 condenser
- 9 microscope (microscopic, object) stage
- 10 mechanical stage
- 11 objective turret (revolving nose-piece)
- 12 binocular head
- 13 beam-splitting prisms
- 14 transmitted-light microscope with camera and polarizer, *Zeiss system*
- 15 stage base
- 16 aperture-stop slide
- 17 universal stage
- 18 lens panel
- 19 polarizing filter
- 20 camera
- 21 focusing screen
- 22 discussion tube arrangement
- 23 wide-field metallurgical microscope, a reflected-light microscope (microscope for reflected light)
- 24 matt screen (ground glass screen, projection screen)
- 25 large-format camera
- 26 miniature camera
- 27 base plate
- 28 lamphouse
- 29 mechanical stage
- 30 objective turret (revolving nose-piece)
- 31 surgical microscope
- 32 pillar stand
- 33 field illumination
- 34 photomicroscope
- 35 miniature film cassette
- 36 photomicrographic camera attachment for large-format or television camera
- 37 surface-finish microscope
- 38 light section tube

- 39 rack and pinion
- 40 zoom stereomicroscope
- 41 zoom lens
- 42 dust counter
- 43 measurement chamber
- 44 data output
- 45 analogue (*Am. analog*) output
- 46 measurement range selector
- 47 digital display (digital readout)
- 48 dipping refractometer for examining food
- 49 microscopic photometer
- 50 photometric light source
- 51 measuring device (photomultiplier, multiplier phototube)
- 52 light source for survey illumination
- 53 remote electronics
- 54 universal wide-field microscope
- 55 adapter for camera or projector attachment
- 56 eyepiece focusing knob
- 57 filter pick-up
- 58 handrest
- 59 lamphouse for incident (vertical) illumination
- 60 lamphouse connector for transillumination
- 61 wide-field stereomicroscope
- 62 interchangeable lenses (objectives)
- 63 incident (vertical) illumination (incident top lighting)
- 64 fully automatic microscope camera, a camera with photomicro mount adapter
- 65 film cassette
- 66 universal condenser for research microscope 1
- 67 universal-type measuring machine for photogrammetry (photo-theodolite)
- 68 photogrammetric camera
- 69 motor-driven level, a compensator level
- 70 electro-optical distance-measuring instrument
- 71 stereometric camera
- 72 horizontal base
- 73 one-second theodolite





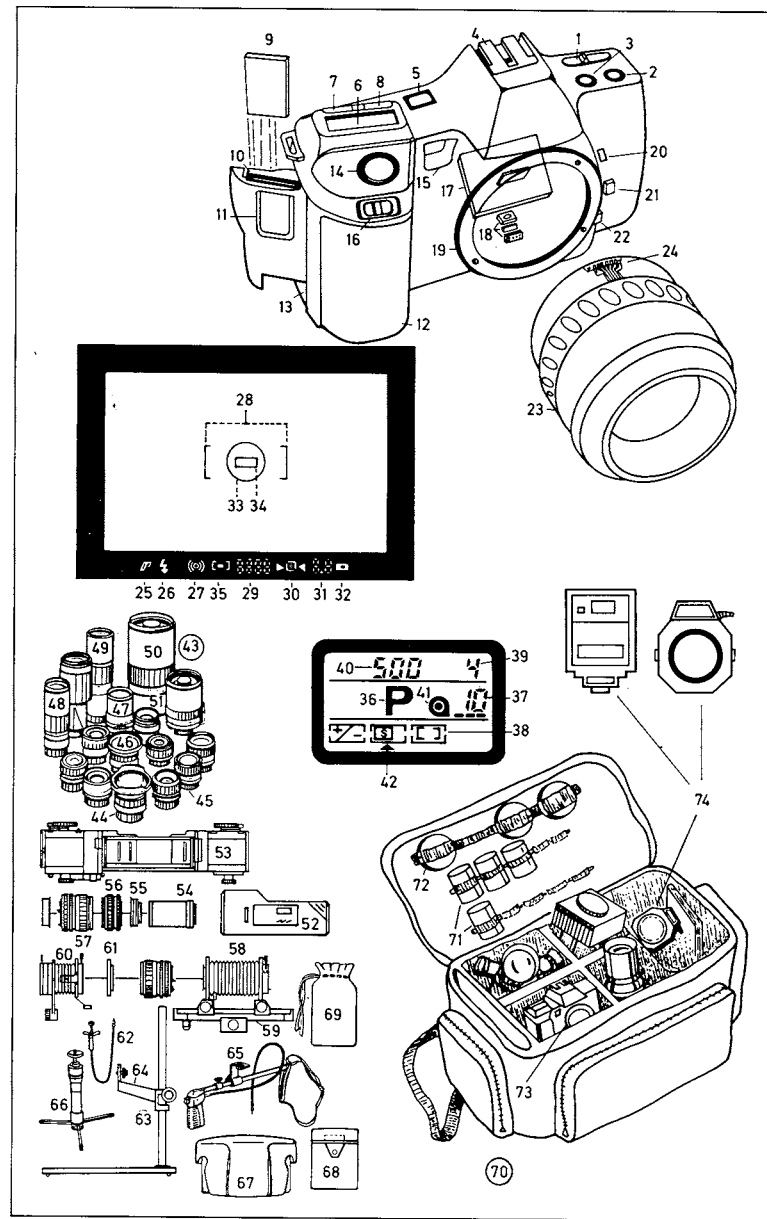
- | | |
|---|--|
| 1 2.2 m reflecting telescope (reflector) | 22 English-type axis mounting (axis mount) |
| 2 pedestal (base) | 23 English-type yoke mounting (yoke mount) |
| 3 axial-radial bearing | 24 fork mounting (fork mount) |
| 4 declination gear | 25 horseshoe mounting (horseshoe mount) |
| 5 declination axis | 26 meridian circle |
| 6 declination bearing | 27 divided circle (graduated circle) |
| 7 front ring | 28 reading microscope |
| 8 tube (body tube) | 29 meridian telescope |
| 9 tube centre (<i>Am.</i> center) section | 30 electron microscope |
| 10 primary mirror (main mirror) | 31-39 microscope tube (microscope body, body tube) |
| 11 secondary mirror (deviation mirror, corrector plate) | 31 electron gun |
| 12 fork mounting (fork) | 32 condensers |
| 13 cover | 33 specimen insertion air lock |
| 14 guide bearing | 34 control for the specimen stage adjustment |
| 15 main drive unit of the polar axis | 35 control for the objective apertures |
| 16-25 telescope mountings (telescope mounts) | 36 objective lens |
| 16 refractor (refracting telescope) on a German-type mounting | 37 intermediate image screen |
| 17 declination axis | 38 telescope magnifier |
| 18 polar axis | 39 final image tube |
| 19 counterweight (counterpoise) | 40 photographic chamber for film and plate magazines |
| 20 eyepiece | |
| 21 knee mounting with a bent column | |



- | | | |
|---|---|---|
| 1 miniature camera (35 mm camera) | 25 viewing lens | 53 bellows |
| 2 viewfinder eyepiece | 26 object lens | 54 camera back |
| 3 meter cell | 27 spool knob | 55 back standard adjustment |
| 4 accessory shoe | 28 distance setting (focus setting) | 56 hand-held exposure meter (exposure meter) |
| 5 flush lens | 29 exposure meter using needle-matching system | 57 calculator dial |
| 6 rewind handle (rewind, rewind crank) | 30 flash contact | 58 scales (indicator scales) with indicator needle (pointer) |
| 7 miniature film cassette (135 film cassette, 35 mm cassette) | 31 shutter release | 59 range switch (high/low range selector) |
| 8 film spool | 32 film transport (film advance, film wind) | 60 diffuser for incident light measurement |
| 9 film with leader and perforations | 33 flash switch | 61 probe exposure meter for large-format cameras |
| 10 cassette slit (cassette exit slot) | 34 aperture-setting control | 62 meter |
| 11 cartridge-loading camera | 35 shutter speed control | 63 probe |
| 12 shutter release (shutter release button) | 36 large-format hand camera (press camera) | 64 dark slide |
| 13 flash cube contact | 37 grip (handgrip) | 65 battery-portable electronic flash (battery-portable electronic flash unit) |
| 14 rectangular viewfinder | 38 cable release | 66 power pack unit (battery) |
| 15 126 cartridge (instamatic cartridge) | 39 distance-setting ring (focusing ring) | 67 flash head |
| 16 pocket camera (subminiature camera) | 40 rangefinder window | 68 single-unit electronic flash (flashgun) |
| 17 110 cartridge (subminiature cartridge) | 41 multiple-frame viewfinder (universal viewfinder) | 69 swivel-mounted reflector |
| 18 film window | 42 tripod | 70 photodiode |
| 19 120 rollfilm | 43 tripod leg | 71 foot |
| 20 rollfilm spool | 44 tubular leg | 72 hot-shoe contact |
| 21 backing paper | 45 rubber foot | 73 flash cube unit |
| 22 twin-lens reflex camera | 46 central column | 74 flash cube |
| 23 folding viewfinder hood (focusing hood) | 47 ball and socket head | 75 flash bar (AGFA) |
| 24 meter cell | 48 cine camera pan and tilt head | 76 slide projector |
| | 49 large-format folding camera | 77 rotary magazine |
| | 50 optical bench | |
| | 51 standard adjustment | |
| | 52 lens standard | |

- 1-24 system camera** (fully automatic miniature single-lens reflex camera)
- 1 main switch
 - 2 function adjustment button (to set exposure adjustment value, drive mode, and focus area)
 - 3 exposure mode button
 - 4 accessory shoe
 - 5 program reset button
 - 6 data panel (data monitor, data display)
 - 7 card on/off key
 - 8 function selector key
 - 9 chip program card
 - 10 card door
 - 11 card window
 - 12 battery chamber
 - 13 remote control terminal
 - 14 shutter release (shutter release button)
 - 15 autofocus (AF) illuminator and self-timer light
 - 16 manual shutter control [up/down control]
 - 17 reflex mirror
 - 18 autofocus sensor, a CCD image converter (image sensor)
 - 19 bayonet mounting ring
 - 20 aperture setting button
 - 21 lens release
 - 22 focus-mode switch (to switch to manual focusing)
 - 23 autofocus zoom lens, a $\times 3$ zoom lens (35–105 mm)
 - 24 aperture and autofocus contacts
 - 25-35 viewfinder screen** (focusing screen, matt screen), a micro-honeycombed focusing screen
 - 25 flash-on signal
 - 26 flash-ready signal
 - 27 focus signals
 - 28 wide focus area
 - 29 shutter speed display
 - 30 manual-exposure compensation-value indicator
 - 31 aperture or exposure adjustment indicator
 - 32 spot metering indicator
 - 33 spot metering area
 - 34 centre focus area
 - 35 focus area indicator
 - 36-42 LCD data panel** (data monitor)
 - 36 program exposure-mode indicator

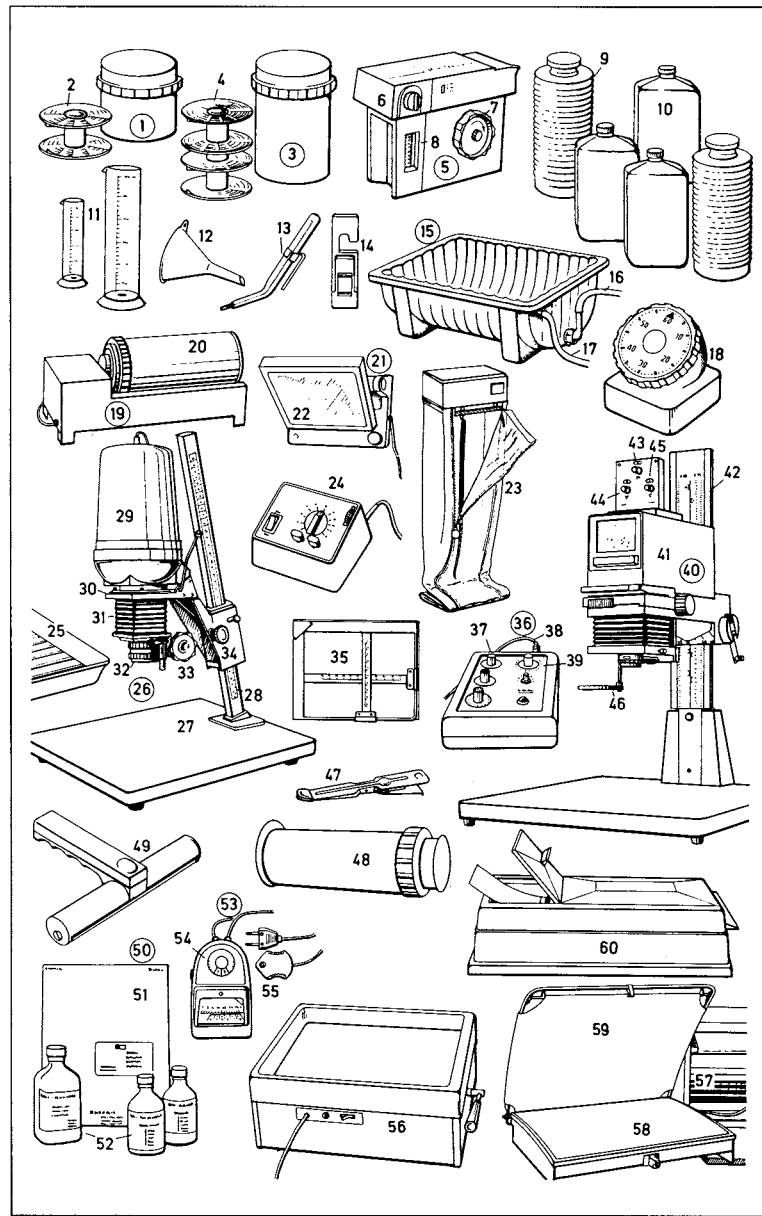
- 37 frame counter
- 38 function indicators
- 39 aperture or exposure adjustment indicator
- 40 shutter speed or film speed (film sensitivity) indicator
- 41 film transport indicator
- 42 function pointer
- 43 interchangeable lenses (autofocus lenses, AF lenses)
- 44 fisheye lens (fisheye)
- 45 wide-angle lens (short focal-length lens)
- 46 standard lens
- 47 medium focal-length lens
- 48 telephoto lens (long focal-length lens), a zoom lens (variable focus lens, varifocal lens)
- 49 long-focus lens
- 50 mirror lens
- 51 tele converter
- 52 data back
- 53 ten-metre (*Am.* ten-meter) film back (magazine back)
- 54-74 accessories for close-up and macro shots**
- 54 extension tube
- 55 adapter ring
- 56 reversing ring
- 57 lens in retrofocus position
- 58 bellows unit (extension bellows, close-up bellows attachment)
- 59 focusing stage
- 60 slide-copying attachment
- 61 slide-copying adapter
- 62 cable release
- 63 copying stand (copy stand)
- 64 arm of the copying stand (copy stand)
- 65 rifle grip
- 66 table(-top) tripod (mini tripod)
- 67 ever-ready case
- 68 lens case
- 69 soft-leather lens pouch
- 70 camera bag, of metallic construction: aluminium (*Am.* aluminum) case
- 71 film container
- 72 filter case
- 73 second body
- 74 ring flash for macro shots



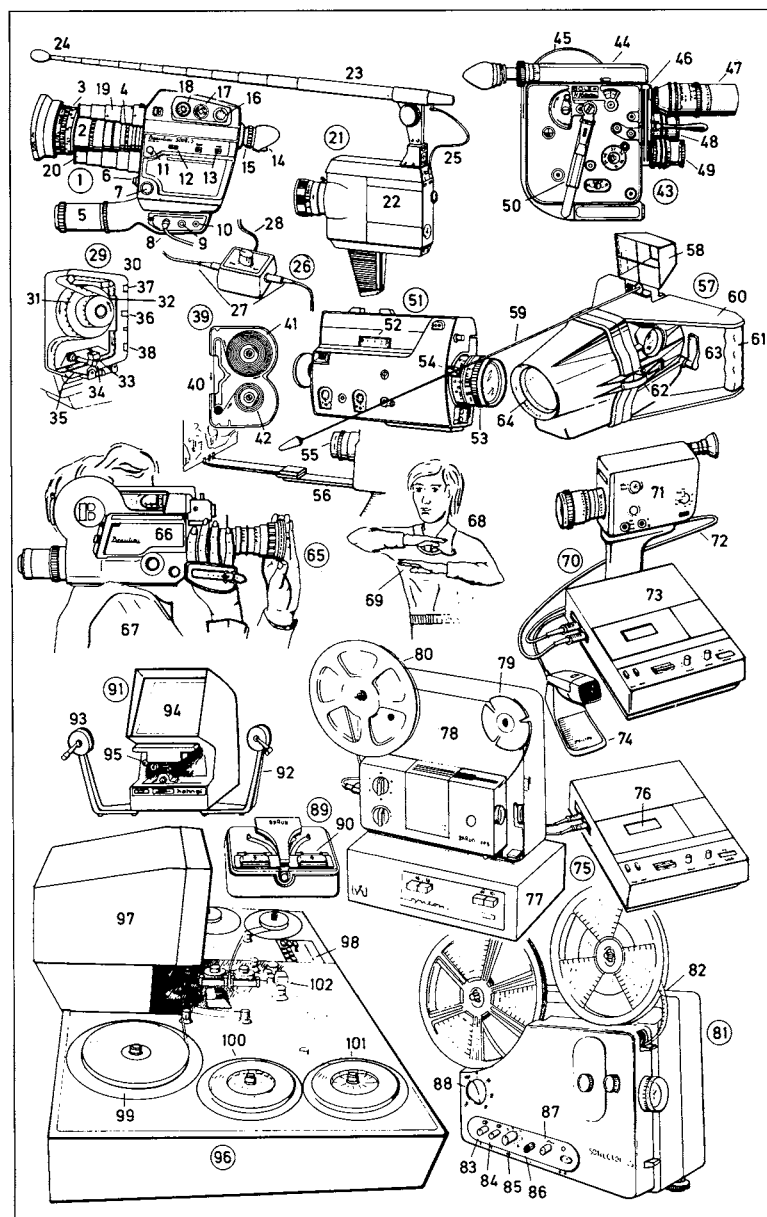
1-60 darkroom equipment

- 1 developing tank
- 2 spiral (developing spiral, tank reel)
- 3 multi-unit developing tank
- 4 multi-unit tank spiral
- 5 daylight-loading tank
- 6 loading chamber
- 7 film transport handle
- 8 developing tank thermometer
- 9 collapsible bottle for developing solution
- 10 chemical bottles for first developer, stop bath, colour developer, bleach-hardener, stabilizer
- 11 measuring cylinders
- 12 funnel
- 13 tray thermometer (dish thermometer)
- 14 film clip
- 15 wash tank (washer)
- 16 water supply pipe
- 17 water outlet pipe
- 18 laboratory timer (timer)
- 19 automatic film agitator
- 20 developing tank
- 21 darkroom lamp (safelight)
- 22 filter screen
- 23 film drier (drying cabinet)
- 24 exposure timer
- 25 developing dish (developing tray)
- 26 enlarger
- 27 baseboard
- 28 angled column
- 29 lamphouse (lamp housing)
- 30 negative carrier
- 31 bellows
- 32 lens
- 33 friction drive for fine adjustment
- 34 height adjustment (scale adjustment)
- 35 masking frame (easel)
- 36 colour (*Am. color*) analyser
- 37 colour (*Am. color*) analyser lamp
- 38 probe lead
- 39 exposure time balancing knob
- 40 colour (*Am. color*) enlarger
- 41 enlarger head

- 42 column
- 43-45 colour-mixing (*Am. color-mixing*) knob
- 43 magenta filter adjustment (minus green filter adjustment)
- 44 yellow filter adjustment (minus blue filter adjustment)
- 45 cyan filter adjustment (minus red filter adjustment)
- 46 red swing filter
- 47 print tongs
- 48 processing drum
- 49 squeegee
- 50 range (assortment) of papers
- 51 colour (*Am. color*) printing paper, a packet of photographic printing paper
- 52 colour (*Am. color*) chemicals (colour processing chemicals)
- 53 enlarging meter (enlarging photometer)
- 54 adjusting knob with paper speed scale
- 55 probe
- 56 semi-automatic thermostatically controlled developing dish
- 57 rapid print drier (heated print drier)
- 58 glazing sheet
- 59 pressure cloth
- 60 automatic processor (machine processor)

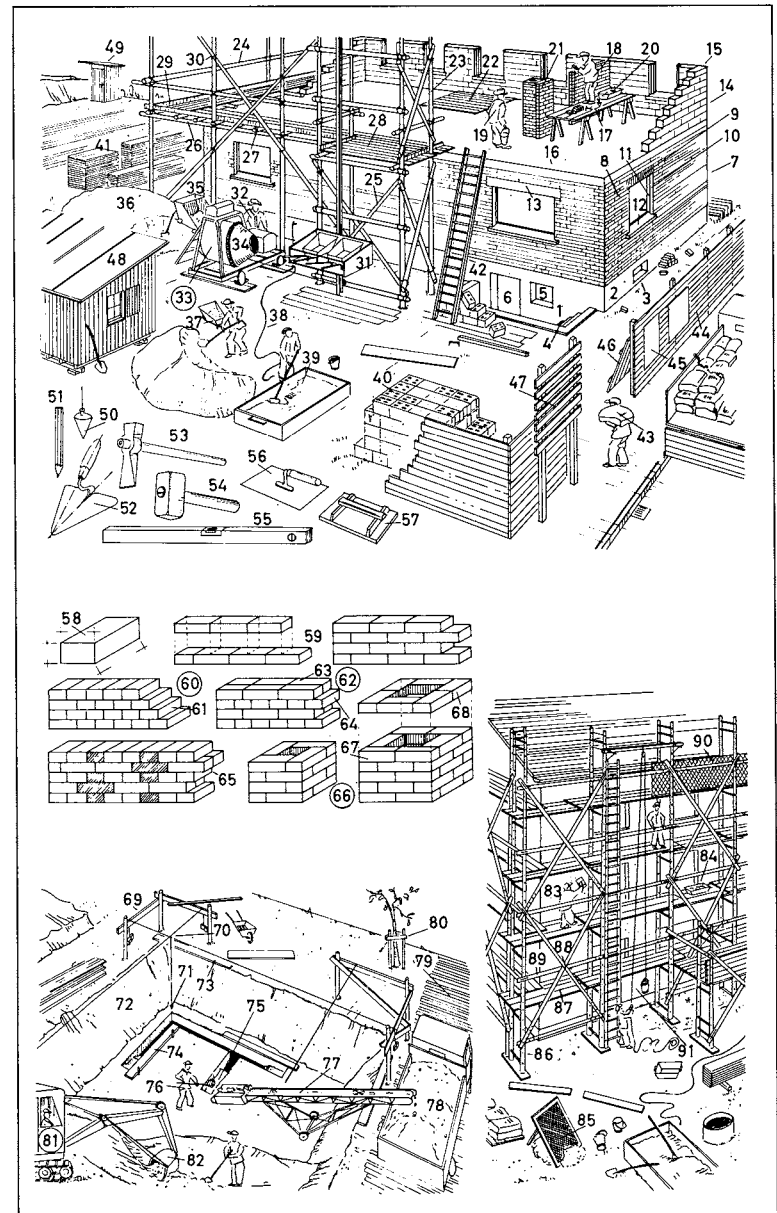


- 1 cine camera, a Super-8 sound camera
- 2 interchangeable zoom lens (variable focus lens, varifocal lens)
- 3 distance setting (focus setting) and manual focal length setting
- 4 aperture ring (aperture-setting ring, aperture control ring) for manual aperture setting
- 5 handgrip with battery chamber
- 6 shutter release with cable release socket
- 7 pilot tone or pulse generator socket for the sound recording equipment (with the dual film-tape system)
- 8 sound connecting cord for microphone or external sound source (in single-system recording)
- 9 remote control socket (remote control jack)
- 10 headphone socket (*sim.*: earphone socket)
- 11 autofocus override switch
- 12 filming speed selector
- 13 sound recording selector switch for automatic or manual operation
- 14 eyepiece with eyecup
- 15 diopter control ring (dioptric adjustment ring)
- 16 recording level control (audio level control, recording sensitivity selector)
- 17 manual/automatic exposure control switch
- 18 film speed setting
- 19 power zooming arrangement
- 20 automatic aperture control
- 21 sound track system
- 22 sound camera
- 23 telescopic microphone boom
- 24 microphone
- 25 microphone connecting lead (microphone connecting cord)
- 26 mixing console (mixing desk, mixer)
- 27 inputs from various sound sources
- 28 output to camera
- 29 Super-8 sound film cartridge
- 30 film gate of the cartridge
- 31 feed spool
- 32 take-up spool
- 33 recording head (sound head)
- 34 transport roller (capstan)
- 35 rubber pinch roller (capstan idler)
- 36 guide step (guide notch)
- 37 exposure meter control step
- 38 conversion filter step (colour, *Am. color*, conversion filter step)
- 39 single-8 cassette
- 40 film gate opening
- 41 unexposed film
- 42 exposed film
- 43 16 mm camera
- 44 reflex finder (through-the-lens reflex finder)
- 45 magazine
- 46-49 lens head
- 46 lens turret (turret head)
- 47 telephoto lens
- 48 wide-angle lens
- 49 normal lens (standard lens)
- 50 winding handle
- 51 compact Super-8 camera
- 52 footage counter
- 53 macro zoom lens
- 54 zooming lever
- 55 macro lens attachment (close-up lens)
- 56 macro frame (mount for small originals)
- 57 underwater housing (underwater case)
- 58 direct-vision frame finder
- 59 measuring rod
- 60 stabilizing wing
- 61 grip (handgrip)
- 62 locking bolt
- 63 control lever (operating lever)
- 64 porthole
- 65 synchronization start (sync start)
- 66 professional press-type camera
- 67 cameraman
- 68 camera assistant (sound assistant)
- 69 handclap marking sync start
- 70 dual film-tape recording using a tape recorder
- 71 pulse-generating camera
- 72 pulse cable
- 73 cassette recorder
- 74 microphone
- 75 dual film-tape reproduction
- 76 tape cassette
- 77 synchronization unit
- 78 cine projector
- 79 film feed spool
- 80 take-up reel (take-up spool), an automatic take-up reel (take-up spool)
- 81 sound projector
- 82 sound film with magnetic stripe (sound track, track)
- 83 automatic-threading button
- 84 trick button
- 85 volume control
- 86 reset button
- 87 fast and slow motion switch
- 88 forward, reverse, and still projection switch
- 89 splicer for wet splices
- 90 hinged clamping plate
- 91 film viewer (animated viewer editor)
- 92 foldaway reel arm
- 93 rewind handle (rewinder)
- 94 viewing screen
- 95 film perforator (film marker)
- 96 six-turntable film and sound cutting table (editing table, cutting bench, animated sound editor)
- 97 monitor
- 98 control buttons (control well)
- 99 film turntable
- 100 first sound turntable, e.g. for live sound
- 101 second sound turntable for post-sync sound
- 102 film and tape synchronizing head



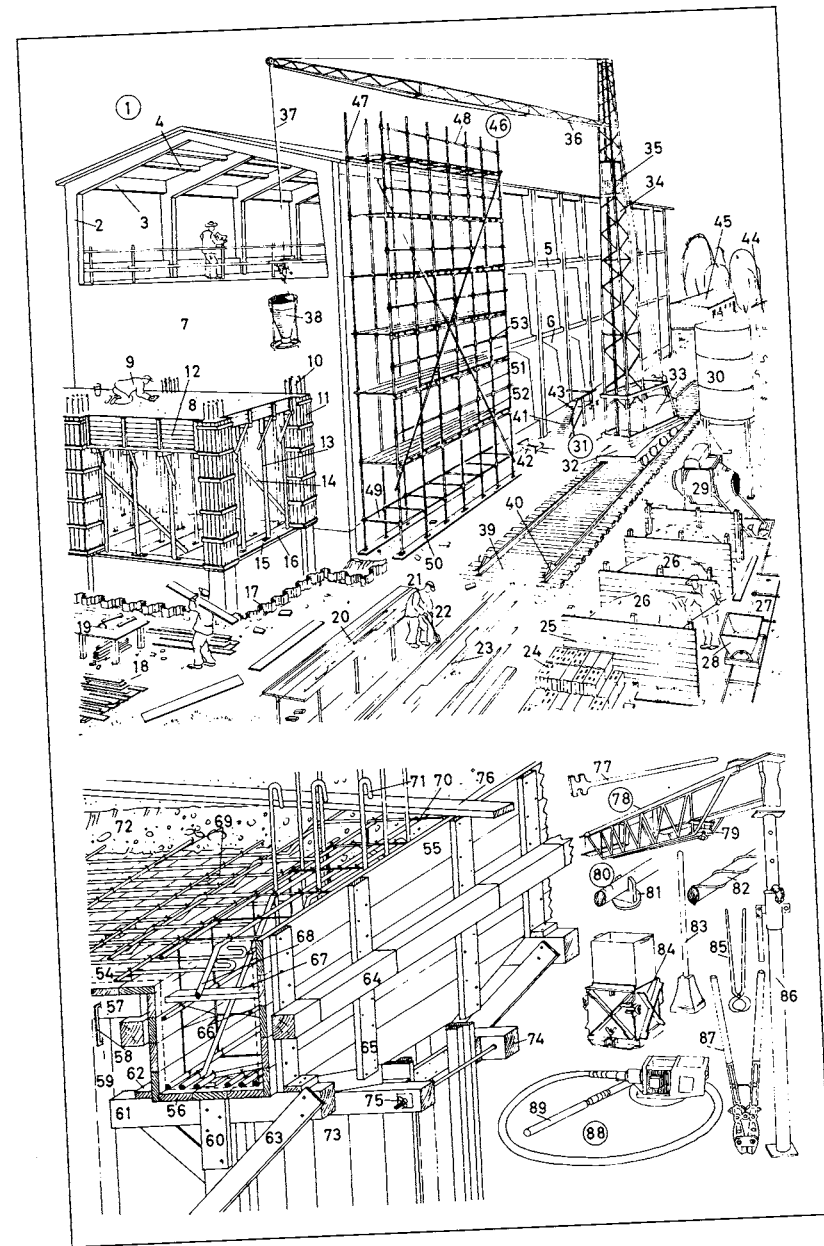
- 1-49 carcass (carcass, fabric) [house construction, carcassing]
 1 basement of tamped (rammed) concrete
 2 concrete base course
 3 cellar window (basement window)
 4 outside cellar steps
 5 utility room window
 6 utility room door
 7 ground floor (*Am.* first floor)
 8 brick wall
 9 lintel (window head)
 10 reveal
 11 jamb
 12 window ledge (window sill)
 13 reinforced concrete lintel
 14 upper floor (first floor, *Am.* second floor)
 15 hollow-block wall
 16 concrete floor
 17 work platform (working platform)
 18 bricklayer (*Am.* brickmason)
 19 bricklayer's labourer (*Am.* laborer); *also:* builder's labourer
 20 mortar trough
 21 chimney
 22 cover (boards) for the staircase
 23 scaffold pole (scaffold standard)
 24 platform railing
 25 angle brace (angle tie) in the scaffold
 26 ledger
 27 putlog (putlock)
 28 plank platform (board platform)
 29 guard board
 30 scaffolding joint with chain or lashing or whip or bond
 31 builder's hoist
 32 mixer operator
 33 concrete mixer, a gravity mixer
 34 mixing drum
 35 feeder skip
 36 concrete aggregate [sand and gravel]
 37 wheelbarrow
 38 hose (hosepipe)
 39 mortar pan (mortar trough, mortar tub)
 40 stack of bricks
 41 stacked shutter boards (lining boards)
 42 ladder
 43 bag of cement
 44 site fence, a timber fence
 45 signboard (billboard)
 46 removable gate
 47 contractors' name plates

- 48 site hut (site office)
 49 building site latrine
 50-57 bricklayer's (*Am.* brickmason's) tools
 50 plumb bob (plummet)
 51 thick lead pencil
 52 trowel
 53 bricklayer's (*Am.* brickmason's) hammer (brick hammer)
 54 mallet
 55 spirit level
 56 laying-on trowel
 57 float
 58-68 masonry bonds
 58 brick (standard brick)
 59 stretching bond
 60 heading bond
 61 racking (raking) back
 62 English bond
 63 stretching course
 64 heading course
 65 English cross bond (Saint Andrew's cross bond)
 66 chimney bond
 67 first course
 68 second course
 69-82 excavation
 69 profile (*Am.* batterboard) [fixed on edge at the corner]
 70 intersection of strings
 71 plumb bob (plummet)
 72 excavation side
 73 upper edge board
 74 lower edge board
 75 foundation trench
 76 navy (*Am.* excavator)
 77 conveyor belt (conveyor)
 78 excavated earth
 79 plank roadway
 80 tree guard
 81 mechanical shovel (excavator)
 82 shovel bucket (bucket)
 83-91 plastering
 83 plasterer
 84 mortar trough
 85 screen
 86-89 ladder scaffold
 86 standard ladder
 87 boards (planks, platform)
 88 diagonal strut (diagonal brace)
 89 railing
 90 guard netting
 91 rope-pulley hoist



119 Building Site (Construction Site) II

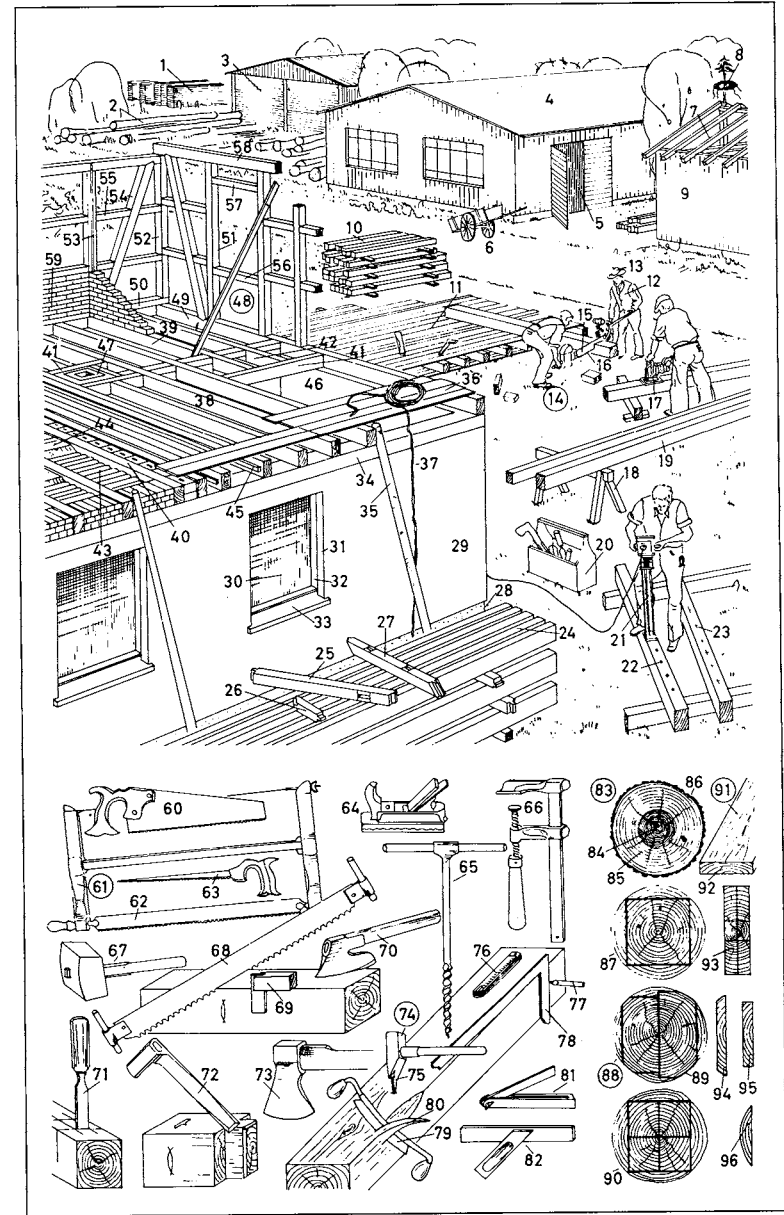
- 1-89 reinforced concrete (ferroconcrete) construction**
 1 reinforced concrete (ferroconcrete) skeleton construction
 2 reinforced concrete (ferroconcrete) frame
 3 inferior purlin
 4 concrete purlin
 5 ceiling joist
 6 arch (flank)
 7 rubble concrete wall
 8 reinforced concrete (ferroconcrete) floor
 9 concreter (concretor), flattening out
 10 projecting reinforcement (*Am.* connection rebars)
 11 column box
 12 joist shuttering
 13 shuttering strut
 14 diagonal bracing
 15 wedge
 16 board
 17 sheet pile wall (sheet pile, sheet piling)
 18 shutter boards (lining boards)
 19 circular saw (buzz saw)
 20 bending table
 21 bar bender (steel bender)
 22 hand steel shears
 23 reinforcing steel (reinforcement rods)
 24 pumice concrete hollow block
 25 partition wall, a timber wall
 26 concrete aggregate [gravel and sand of various grades]
 27 crane track
 28 tipping wagon (tipping truck)
 29 concrete mixer
 30 cement silo
 31 tower crane (tower slewing crane)
 32 bogie (*Am.* truck)
 33 counterweight
 34 tower
 35 crane driver's cabin (crane driver's cage)
 36 jib (boom)
 37 bearer cable
 38 concrete bucket
 39 sleepers (*Am.* ties)
 40 chock
 41 ramp
 42 wheelbarrow
 43 safety rail
 44 site hut
 45 canteen
 46 tubular steel scaffold (scaffolding)
 47 standard
 48 ledger tube
 49 tie tube
 50 shoe
 51 diagonal brace
 52 planking (platform)
 53 coupling (coupler)
54-76 formwork (shuttering) and reinforcement
 54 bottom shuttering (lining)
 55 side shutter of a purlin
 56 cut-in bottom
 57 cross beam
 58 cramp iron (cramp, dog)
 59 upright member, a standard
 60 strap
 61 cross piece
 62 stop fillet
 63 strut (brace, angle brace)
 64 frame timber (yoke)
 65 strap
 66 reinforcement binding
 67 cross strut (strut)
 68 reinforcement
 69 distribution steel
 70 stirrup
 71 projecting reinforcement (*Am.* connection rebars)
 72 concrete (heavy concrete)
 73 column box
 74 bolted frame timber (bolted yoke)
 75 nut (thumb nut)
 76 shutter board (shuttering board)
77-89 tools
 77 bending iron
 78 adjustable service girder
 79 adjusting screw
 80 round bar reinforcement
 81 distance piece (separator, spacer)
 82 Torsteel
 83 concrete tamper
 84 mould (*Am.* mold) for concrete test cubes
 85 concreter's tongs
 86 sheeting support
 87 hand shears
 88 immersion vibrator (concrete vibrator)
 89 vibrating cylinder (vibrating head, vibrating poker)



1-59 carpenter's yard

- 1 stack of boards (planks)
- 2 long timber (*Am.* lumber)
- 3 sawing shed
- 4 carpenter's workshop
- 5 workshop door
- 6 handcart
- 7 roof truss
- 8 tree [used for topping out ceremony], with wreath
- 9 timber wall
- 10 squared timber (building timber, scantlings)
- 11 drawing floor
- 12 carpenter
- 13 safety helmet
- 14 cross-cut saw, a chain saw
- 15 chain guide
- 16 saw chain
- 17 mortiser (chain cutter)
- 18 trestle (horse)
- 19 beam mounted on a trestle
- 20 set of carpenter's tools
- 21 electric drill
- 22 dowel hole
- 23 mark for the dowel hole
- 24 beams
- 25 post (stile, stud, quarter)
- 26 corner brace
- 27 brace (strut)
- 28 base course (plinth)
- 29 house wall (wall)
- 30 window opening
- 31 reveal
- 32 jamb
- 33 window ledge (window sill)
- 34 cornice
- 35 roundwood (round timber)
- 36 floorboards
- 37 hoisting rope
- 38 ceiling joist (ceiling beam, main beam)
- 39 wall joist
- 40 wall plate
- 41 trimmer (trimmer joist, *Am.* header, header joist)
- 42 dragon beam (dragon piece)
- 43 false floor (inserted floor)
- 44 floor filling of breeze, loam, etc.
- 45 fillet (cleat)
- 46 stair well (well)
- 47 chimney
- 48 framed partition (framed wall)

- 49 wall plate
- 50 girt
- 51 window jamb, a jamb
- 52 corner stile (corner strut, corner stud)
- 53 principal post
- 54 brace (strut) with skew notch
- 55 nogging piece
- 56 sill rail
- 57 window lintel (window head)
- 58 head (head rail)
- 59 filled-in panel (bay, pan)
- 60-82 carpenter's tools
- 60 hand saw
- 61 bucksaw
- 62 saw blade
- 63 compass saw (keyhole saw)
- 64 plane
- 65 auger (gimlet)
- 66 screw clamp (cramp, holdfast)
- 67 mallet
- 68 two-handed saw
- 69 try square
- 70 broad axe (*Am.* broadax)
- 71 chisel
- 72 mortise axe (mortice axe, *Am.* mortise ax)
- 73 axe (*Am.* ax)
- 74 carpenter's hammer
- 75 claw head (nail claw)
- 76 folding rule
- 77 carpenter's pencil
- 78 iron square
- 79 drawknife (drawshave, drawing knife)
- 80 shaving
- 81 bevel
- 82 mitre square (*Am.* miter square, miter angle)
- 83-96 building timber
- 83 undressed timber (*Am.* rough lumber)
- 84 heartwood (duramen)
- 85 sapwood (sap, alburnum)
- 86 bark (rind)
- 87 baulk (balk)
- 88 halved timber
- 89 wane (waney edge)
- 90 quarter baulk (balk)
- 91 plank (board)
- 92 end-grained timber
- 93 heartwood plank (heart plank)
- 94 unsquared (untrimmed) plank (board)
- 95 squared (trimmed) board
- 96 slab (offcut)



1-26 styles and parts of roofs

- 1 gable roof (saddle roof, saddleback roof)
- 2 ridge
- 3 verge
- 4 eaves
- 5 gable
- 6 dormer window (dormer)
- 7 pent roof (shed roof, lean-to roof)
- 8 skylight
- 9 fire gable
- 10 hip (hipped) roof
- 11 hip end
- 12 hip (arris)
- 13 hip (hipped) dormer window
- 14 ridge turret
- 15 valley (roof valley)
- 16 hipped-gable roof (jerkin head roof)
- 17 partial-hip (partial-hipped) end
- 18 mansard roof (*Am.* gambrel roof)
- 19 mansard dormer window
- 20 sawtooth roof
- 21 north light
- 22 broach roof
- 23 eyebrow
- 24 conical broach roof
- 25 imperial dome (imperial roof)
- 26 weather vane

27-83 roof structures of timber

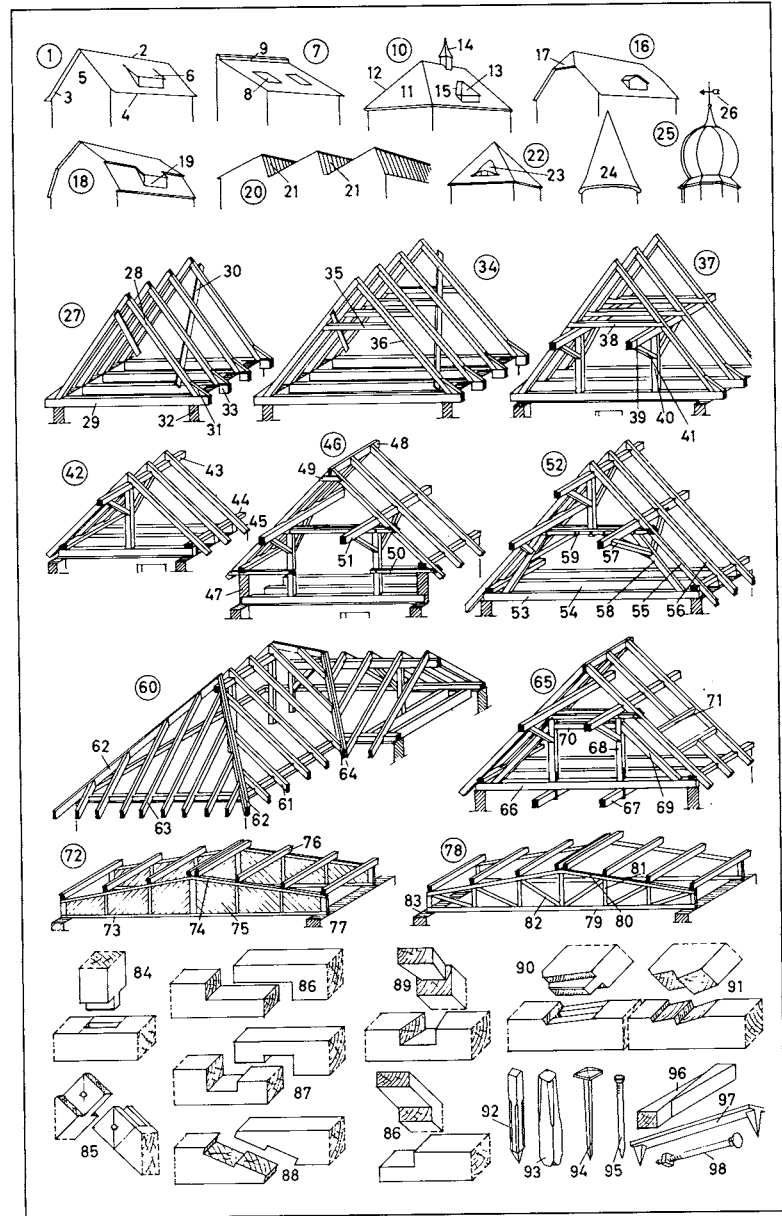
- 27 rafter roof
- 28 rafter
- 29 roof beam
- 30 diagonal tie (cross tie, sprocket piece, cocking piece)
- 31 arris fillet (tilting fillet)
- 32 outer wall
- 33 beam head
- 34 collar beam roof (trussed rafter roof)
- 35 collar beam (collar)
- 36 rafter
- 37 strutted collar beam roof structure
- 38 collar beams
- 39 purlin
- 40 post (stile, stud)
- 41 brace
- 42 unstrutted (king pin) roof structure
- 43 ridge purlin
- 44 inferior purlin
- 45 rafter head (rafter end)
- 46 purlin roof with queen post and pointing sill
- 47 pointing sill
- 48 ridge beam (ridge board)

49 simple tie

- 50 double tie
- 51 purlin
- 52 purlin roof structure with queen post
- 53 tie beam
- 54 joist (ceiling joist)
- 55 principal rafter
- 56 common rafter
- 57 angle brace (angle tie)
- 58 brace (strut)
- 59 ties
- 60 hip (hipped) roof with purlin roof structure
- 61 jack rafter
- 62 hip rafter
- 63 jack rafter
- 64 valley rafter
- 65 queen truss
- 66 main beam
- 67 summer (summer beam)
- 68 queen post (truss post)
- 69 brace (strut)
- 70 collar beam (collar)
- 71 trimmer (*Am.* header)
- 72 solid-web girder
- 73 lower chord
- 74 upper chord
- 75 boarding
- 76 purlin
- 77 supporting outer wall
- 78 roof truss
- 79 lower chord
- 80 upper chord
- 81 post
- 82 brace (strut)
- 83 support

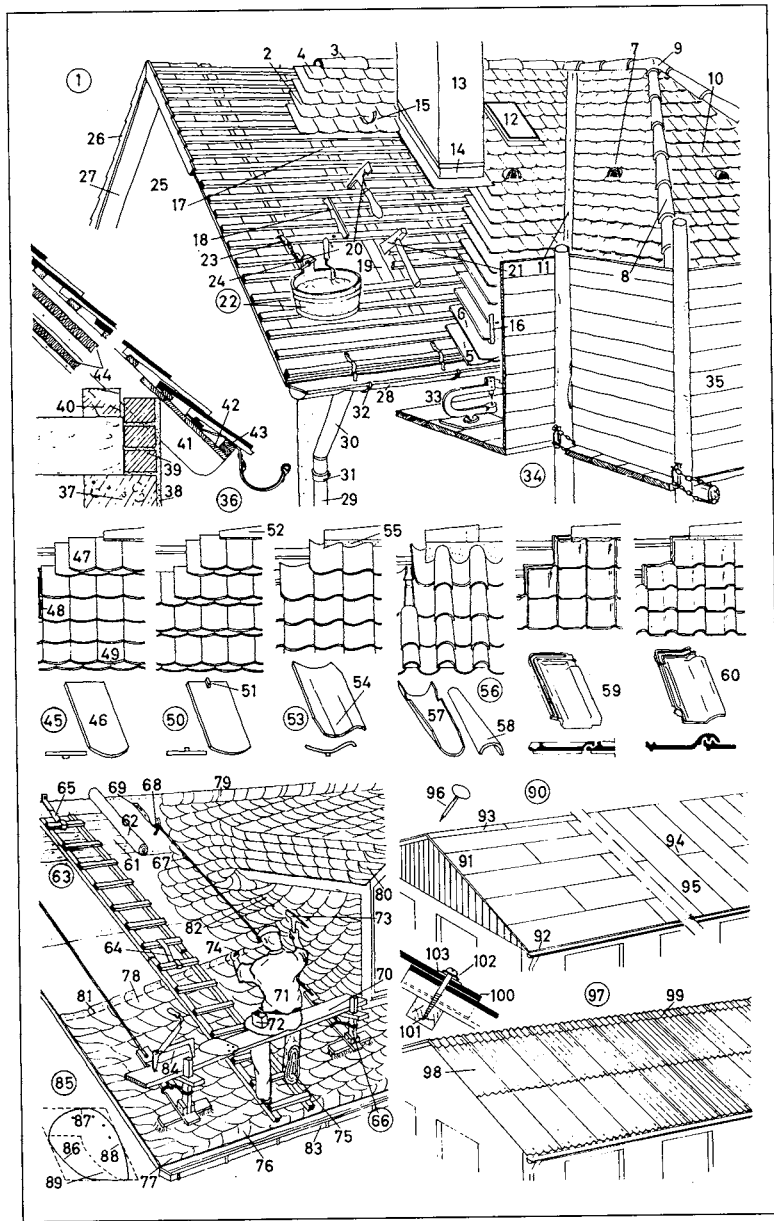
84-98 timber joints

- 84 mortise (mortice) and tenon joint
- 85 forked mortise (mortice) and tenon joint
- 86 halving (halved) joint
- 87 simple scarf joint
- 88 oblique scarf joint
- 89 dovetail halving
- 90 single skew notch
- 91 double skew notch
- 92 wooden nail
- 93 pin
- 94 clout nail (clout)
- 95 wire nail
- 96 hardwood wedges
- 97 cramp iron (timber dog, dog)
- 98 bolt



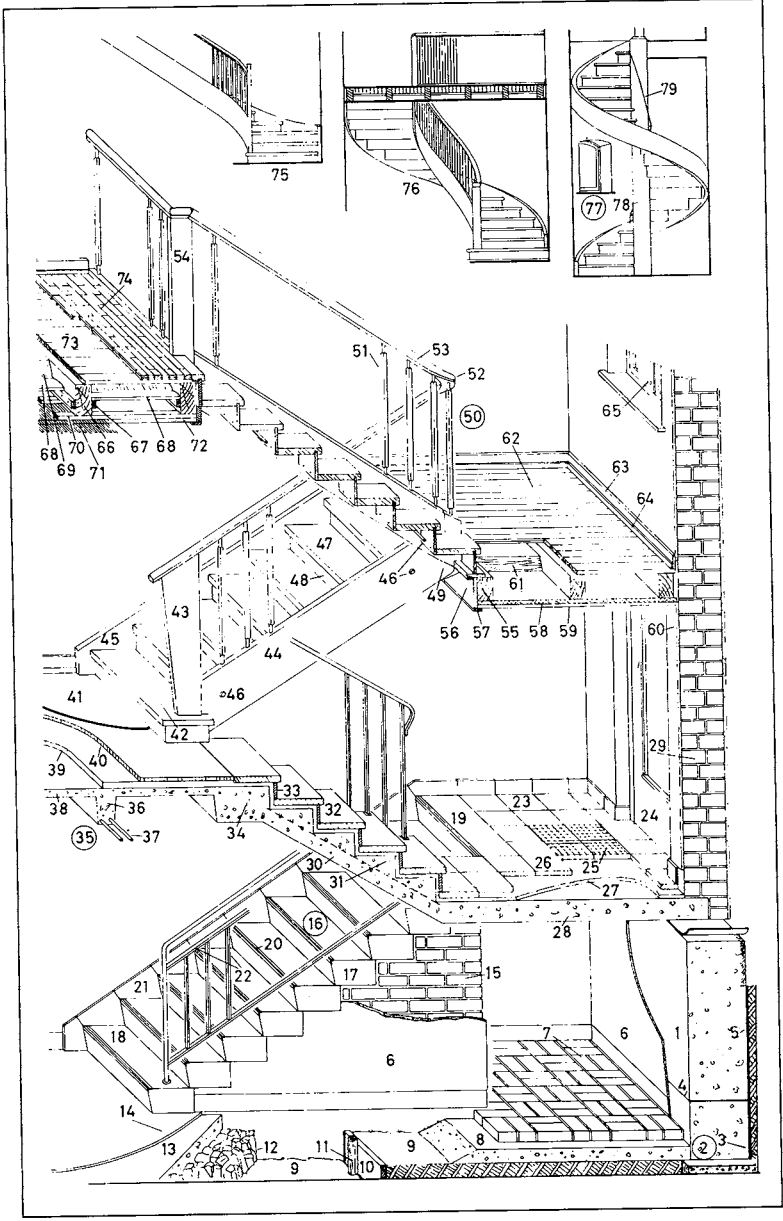
- 1 tiled roof
- 2 plain-tile double-lap roofing
- 3 ridge tile
- 4 ridge course tile
- 5 under-ridge tile
- 6 plain (plane) tile
- 7 ventilating tile
- 8 ridge tile
- 9 hip tile
- 10 hipped end
- 11 valley (roof valley)
- 12 skylight
- 13 chimney
- 14 chimney flashing, made of sheet zinc
- 15 ladder hook
- 16 snow guard bracket
- 17 battens (slating and tiling battens)
- 18 batten gauge (Am. gage)
- 19 rafter
- 20 tile hammer
- 21 lath axe (Am. ax)
- 22 hod
- 23 hod hook
- 24 opening (hatch)
- 25 gable (gable end)
- 26 toothed lath
- 27 soffit
- 28 gutter
- 29 rainwater pipe (downpipe)
- 30 swan's neck (swan-neck)
- 31 pipe clip
- 32 gutter bracket
- 33 tile cutter
- 34 scaffold
- 35 safety wall
- 36 eaves
- 37 outer wall
- 38 exterior rendering
- 39 frost-resistant brickwork
- 40 inferior purlin
- 41 rafter head (rafter end)
- 42 eaves fascia
- 43 double lath (tilting lath)
- 44 insulating boards
- 45-60 tiles and tile roofings**
- 45 split-tiled roof
- 46 plain (plane) tile
- 47 ridge course
- 48 slip
- 49 eaves course
- 50 plain-tiled roof
- 51 nib
- 52 ridge tile
- 53 pantiled roof
- 54 pantile
- 55 pointing

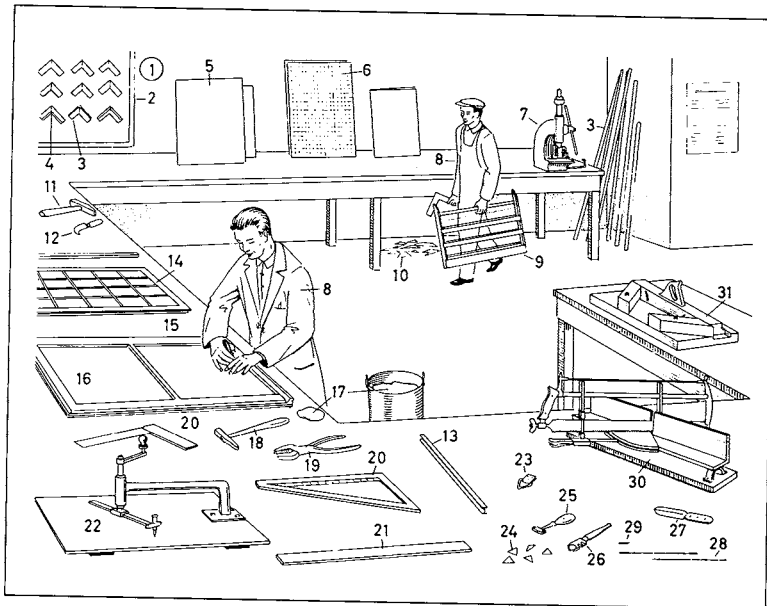
- 56 Spanish-tiled roof (Am. mission-tiled roof)
- 57 under tile
- 58 over tile
- 59 interlocking tile
- 60 flat interlocking tile
- 61-89 slate roof**
- 61 roof boards (roof boarding, roof sheathing)
- 62 roofing paper (sheathing paper); also: roofing felt (Am. rag felt)
- 63 cat ladder (roof ladder)
- 64 coupling hook
- 65 ridge hook
- 66 roof trestle
- 67 trestle rope
- 68 knot
- 69 ladder hook
- 70 scaffold board
- 71 slater
- 72 nail bag
- 73 slate hammer
- 74 slate nail, a galvanized wire nail
- 75 slater's shoe, a bast or hemp shoe
- 76 eaves course (eaves joint)
- 77 corner bottom slate
- 78 roof course
- 79 ridge course (ridge joint)
- 80 gable slate
- 81 tail line
- 82 valley (roof valley)
- 83 box gutter (trough gutter, parallel gutter)
- 84 slater's iron
- 85 slate
- 86 back
- 87 head
- 88 front edge
- 89 tail
- 90-103 asphalt-impregnated paper roofing and corrugated asbestos cement roofing**
- 90 asphalt-impregnated paper roof
- 91 width [parallel to the gutter]
- 92 gutter
- 93 ridge
- 94 join
- 95 width [at right angles to the gutter]
- 96 felt nail (clout nail)
- 97 corrugated asbestos cement roof
- 98 corrugated sheet
- 99 ridge capping piece
- 100 lap
- 101 wood screw
- 102 rust-proof zinc cup
- 103 lead washer



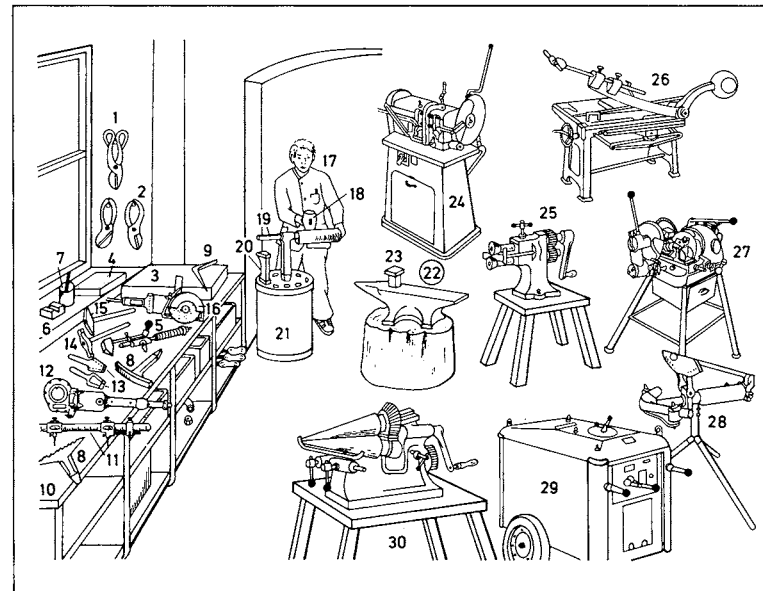
- 1 basement wall, a concrete wall
- 2 footing (foundation)
- 3 foundation base
- 4 damp course (damp-proof course)
- 5 waterproofing
- 6 rendering coat
- 7 brick paving
- 8 sand bed
- 9 ground
- 10 shuttering
- 11 peg
- 12 hardcore
- 13 oversite concrete
- 14 cement screed
- 15 brickwork base
- 16 basement stairs, solid concrete stairs
- 17 block step
- 18 curtail step (bottom step)
- 19 top step
- 20 nosing
- 21 skirting (skirting board, *Am.* mop-board, washboard, scrub board, base)
- 22 balustrade of metal bars
- 23 ground-floor (*Am.* first-floor) landing
- 24 front door
- 25 foot scraper
- 26 flagstone paving
- 27 mortar bed
- 28 concrete ceiling, a reinforced concrete slab
- 29 ground-floor (*Am.* first-floor) brick wall
- 30 ramp
- 31 wedge-shaped step
- 32 tread
- 33 riser
- 34-41 landing**
- 34 landing beam
- 35 ribbed reinforced concrete floor
- 36 rib
- 37 steel-bar reinforcement
- 38 subfloor (blind floor)
- 39 level layer
- 40 finishing layer
- 41 top layer (screed)
- 42-44 dog-legged staircase, a staircase without a well**

- 42 curtail step (bottom step)
- 43 newel post (newel)
- 44 outer string (*Am.* outer stringer)
- 45 wall string (*Am.* wall stringer)
- 46 staircase bolt
- 47 tread
- 48 riser
- 49 wreath piece (wreathed string)
- 50 balustrade
- 51 baluster
- 52-62 intermediate landing**
- 52 wreath
- 53 handrail (guard rail)
- 54 head post
- 55 landing beam
- 56 lining board
- 57 fillet
- 58 lightweight building board
- 59 ceiling plaster
- 60 wall plaster
- 61 false ceiling
- 62 strip flooring (overlay flooring, parquet strip)
- 63 skirting board (*Am.* mopboard, washboard, scrub board, base)
- 64 beading
- 65 staircase window
- 66 main landing beam
- 67 fillet (cleat)
- 68, 69 false ceiling
- 68 false floor (inserted floor)
- 69 floor filling (plugging, pug)
- 70 laths
- 71 lathing
- 72 ceiling plaster
- 73 subfloor (blind floor)
- 74 parquet floor with tongued-and-grooved blocks
- 75 quarter-newelled (*Am.* quarter-neweled) staircase
- 76 winding staircase (spiral staircase) with open newels (open-newel staircase)
- 77 winding staircase (spiral staircase) with solid newels (solid-newel staircase)
- 78 newel (solid newel)
- 79 handrail



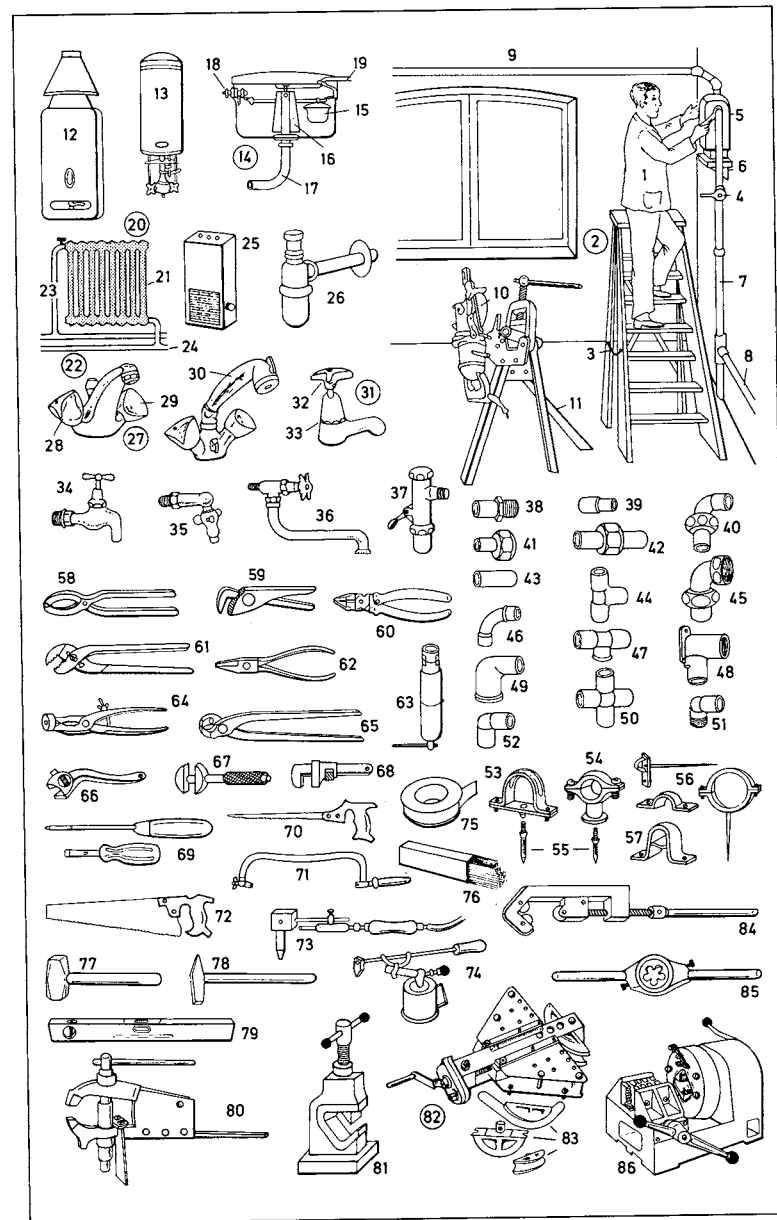


- 1 glazier's workshop
- 2 frame wood samples (frame samples)
- 3 frame wood
- 4 mitre joint (mitre, *Am.* miter joint, miter)
- 5 sheet glass; *kinds*: window glass, frosted glass, patterned glass, crystal plate glass, thick glass, milk glass, laminated glass (safety glass, shatterproof glass)
- 6 cast glass; *kinds*: stained glass, ornamental glass, raw glass, bull's-eye glass, wired glass, line glass (lined glass)
- 7 mitring (*Am.* mitering) machine
- 8 glassworker (e.g. building glazier, glazier, decorative glass worker)
- 9 glass holder
- 10 piece of broken glass
- 11 lead hammer
- 12 lead knife
- 13 came (lead came)
- 14 leaded light
- 15 workbench
- 16 pane of glass
- 17 putty
- 18 glazier's hammer
- 19 glass pliers
- 20 glazier's square
- 21 glazier's rule
- 22 glazier's beam compass
- 23 eyelet
- 24 glazing sprig
- 25, 26 glass cutters
- 25 diamond glass cutter
- 26 steel-wheel (steel) glass cutter
- 27 putty knife
- 28 pin wire
- 29 panel pin
- 30 mitre (*Am.* miter) block (mitre box) [with saw]
- 31 mitre (*Am.* miter) shoot (mitre board)



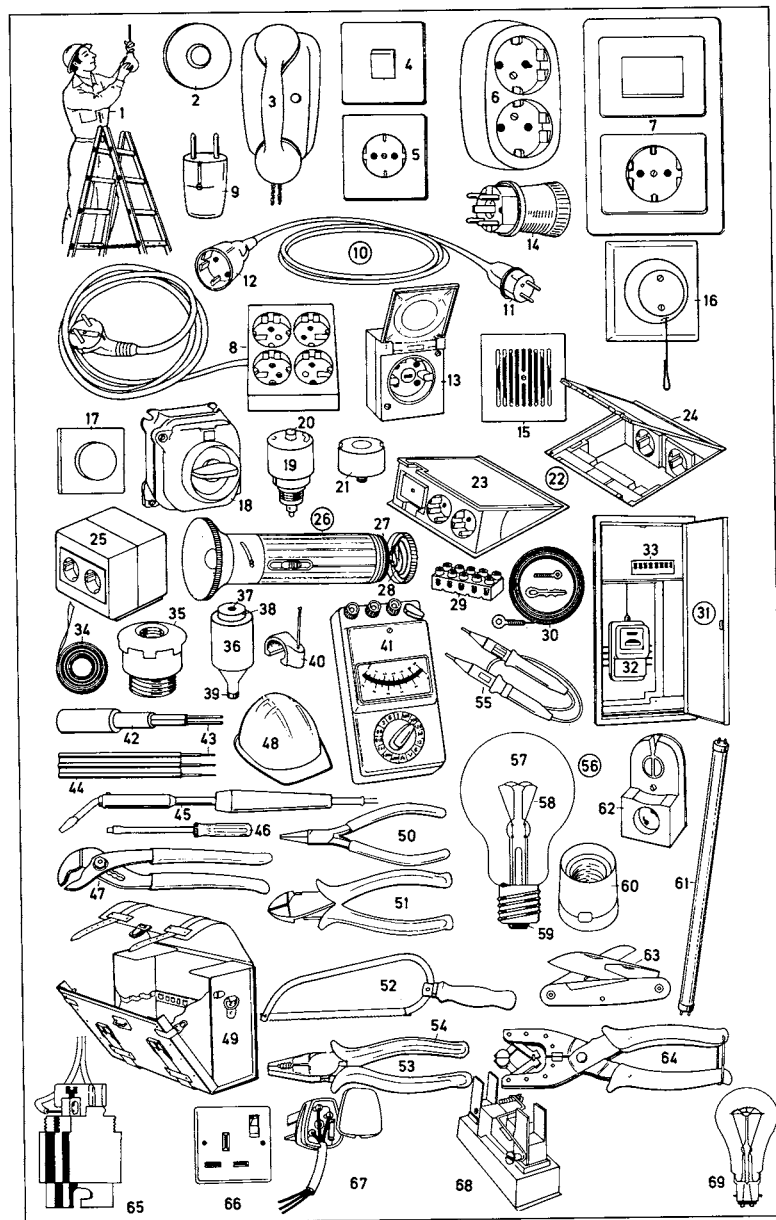
- 1 metal shears (tinner's snips, *Am.* tinner's shears)
- 2 elbow snips (angle shears)
- 3 gib
- 4 lapping plate
- 5-7 propane soldering apparatus
- 5 propane soldering iron, a hatchet iron
- 6 soldering stone, a sal-ammoniac block
- 7 soldering fluid (flux)
- 8 beading iron for forming reinforcement beading
- 9 angled reamer
- 10 workbench (bench)
- 11 beam compass (trammel, *Am.* beam trammel)
- 12 electric hand die
- 13 hollow punch
- 14 chamfering hammer
- 15 beading swage (beading hammer)
- 16 abrasive-wheel cutting-off machine
- 17 plumber
- 18 mallet
- 19 mandrel
- 20 socket (tinner's socket)
- 21 block
- 22 anvil
- 23 stake
- 24 circular saw (buzz saw)
- 25 flanging, swaging, and wiring machine
- 26 sheet shears (guillotine)
- 27 screw-cutting machine (thread-cutting machine, die stocks)
- 28 pipe-bending machine (bending machine, pipe bender)
- 29 welding transformer
- 30 bending machine (rounding machine) for shaping funnels

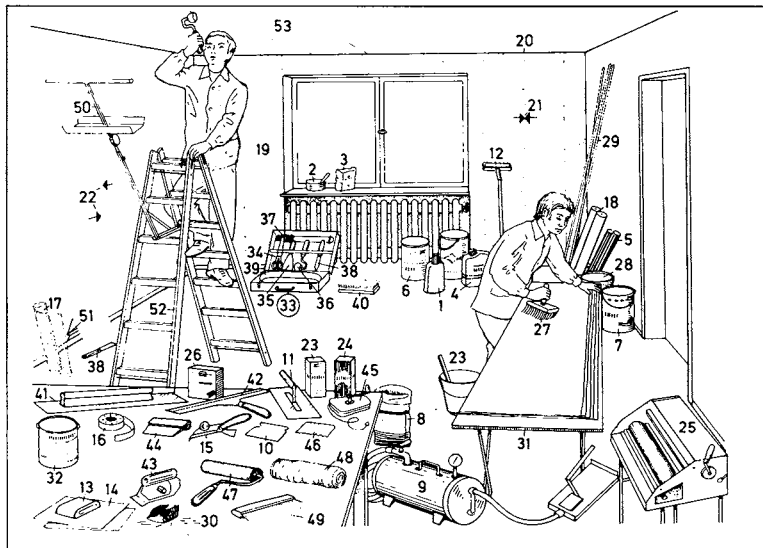
- 1 gas fitter and plumber
 2 stepladder
 3 safety chain
 4 stop valve
 5 gas meter
 6 bracket
 7 service riser
 8 distributing pipe
 9 supply pipe
 10 pipe-cutting machine
 11 pipe repair stand
12-25 gas and water appliances
 12, 13 geyser, an instantaneous water heater
 12 gas water heater
 13 electric water heater
 14 toilet cistern
 15 float
 16 bell
 17 flush pipe
 18 water inlet
 19 flushing lever (lever)
 20 radiator
 21 radiator rib
 22 two-pipe system
 23 flow pipe
 24 return pipe
 25 gas heater
26-37 plumbing fixtures
 26 trap (anti-syphon trap)
 27 mixer tap (*Am.* mixing faucet) for washbasins
 28 hot tap
 29 cold tap
 30 extendible shower attachment
 31 water tap (pillar tap) for washbasins
 32 spindle top
 33 shield
 34 draw-off tap (*Am.* faucet)
 35 supatap
 36 swivel tap
 37 flushing valve
38-52 fittings
 38 joint with male thread
 39 reducing socket (reducing coupler)
 40 elbow screw joint (elbow coupling)
 41 reducing socket (reducing coupler) with female thread
 42 screw joint
 43 coupler (socket)
 44 T-joint (T-junction joint, tee)
 45 elbow screw joint with female thread
 46 bend
 47 T-joint (T-junction joint, tee) with female taper thread
 48 ceiling joint
 49 reducing elbow
 50 cross
 51 elbow joint with male thread
 52 elbow joint
53-57 pipe supports
 53 saddle clip
 54 spacing bracket
 55 plug
 56 pipe clips
 57 two-piece spacing clip
58-86 plumber's tools, gas fitter's tools
 58 gas pliers
 59 footprints
 60 combination cutting pliers
 61 water pump pliers
 62 flat-nose pliers
 63 nipple key
 64 round-nose pliers
 65 pincers
 66 adjustable S-wrench
 67 screw wrench
 68 shifting spanner
 69 screwdriver
 70 compass saw (keyhole saw)
 71 hacksaw frame
 72 hand saw
 73 soldering iron
 74 blowlamp (blowtorch) [for soldering]
 75 sealing tape
 76 tin-lead solder
 77 club hammer
 78 hammer
 79 spirit level
 80 steel-leg vice (*Am.* vise)
 81 pipe vice (*Am.* vise)
 82 pipe-bending machine
 83 former (template)
 84 pipe cutter
 85 hand die
 86 screw-cutting machine (thread-cutting machine)



- 1 electrician (electrical fitter, wireman)
- 2 bell push (doorbell) for low-voltage safety current
- 3 house telephone with call button
- 4 [flush-mounted] rocker switch
- 5 [flush-mounted] earthed socket (wall socket, plug point, *Am.* wall outlet, convenience outlet, outlet)
- 6 [surface-mounted] earthed double socket (double wall socket, double plug point, *Am.* double wall outlet, double convenience outlet, double outlet)
- 7 switched socket (switch and socket)
- 8 four-socket (four-way) adapter
- 9 earthed plug
- 10 extension lead (*Am.* extension cord)
- 11 extension plug
- 12 extension socket
- 13 surface-mounted three-pole earthed socket [for three-phase circuit] with neutral conductor
- 14 three-phase plug
- 15 electric bell (electric buzzer)
- 16 pull-switch (cord-operated wall switch)
- 17 dimmer switch [for smooth adjustment of lamp brightness]
- 18 drill-cast rotary switch
- 19 miniature circuit breaker (screw-in circuit breaker, fuse)
- 20 resetting button
- 21 set screw [for fuses and miniature circuit breakers]
- 22 underfloor mounting (underfloor sockets)
- 23 hinged floor socket for power lines and communication lines
- 24 sunken floor socket with hinged lid (snap lid)
- 25 surface-mounted socket outlet (plug point) box
- 26 pocket torch, a torch (*Am.* flashlight)
- 27 dry cell battery
- 28 contact spring

- 29 strip of thermoplastic connectors
- 30 steel draw-in wire (draw wire) with threading key, and ring attached
- 31 electricity meter cupboard
- 32 electricity meter
- 33 miniature circuit breakers (miniature circuit breaker consumer unit)
- 34 insulating tape (*Am.* friction tape)
- 35 fuse holder
- 36 circuit breaker (fuse), a fuse cartridge with fusible element
- 37 colour (*Am.* color) indicator [showing current rating]
- 38, 39 contact maker
- 40 cable clip
- 41 universal test meter (multiple meter for measuring current and voltage)
- 42 thermoplastic moisture-proof cable
- 43 copper conductor
- 44 three-core cable
- 45 electric soldering iron
- 46 screwdriver
- 47 water pump pliers
- 48 shock-resisting safety helmet
- 49 tool case
- 50 round-nose pliers
- 51 cutting pliers
- 52 junior hacksaw
- 53 combination cutting pliers
- 54 insulated handle
- 55 continuity tester
- 56 electric light bulb (general service lamp, filament lamp)
- 57 glass bulb (bulb)
- 58 coiled-coil filament
- 59 screw base
- 60 lampholder
- 61 fluorescent tube
- 62 bracket for fluorescent tubes
- 63 electrician's knife
- 64 wire strippers
- 65 bayonet fitting
- 66 three-pin socket with switch
- 67 three-pin plug
- 68 fuse carrier with fuse wire
- 69 light bulb with bayonet fitting



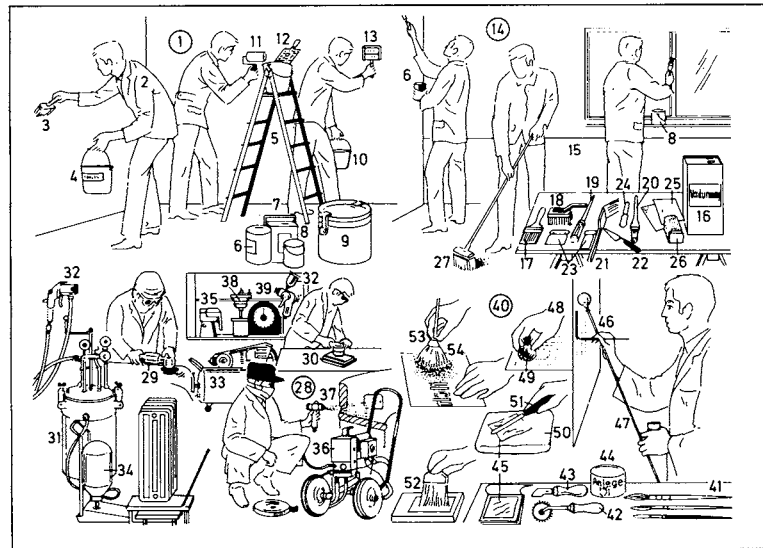
**1-17 preparation of surfaces**

- 1 wallpaper-stripping liquid (stripper)
- 2 plaster (plaster of Paris)
- 3 filler
- 4 glue size (size)
- 5 lining paper, a backing paper
- 6 primer
- 7 fluate
- 8 shredded lining paper
- 9 wallpaper-stripping machine (stripper)
- 10 scraper
- 11 smoother
- 12 perforator
- 13 sandpaper block
- 14 sandpaper
- 15 stripping knife
- 16 masking tape
- 17 strip of sheet metal [on which wallpaper is laid for cutting]

18-53 wallpapering (paper hanging)

- 18 wallpaper (*kinds*: wood pulp paper, wood chip paper, fabric wallhangings, synthetic wallpaper, metallic paper, natural (e.g. wood or cork) paper, tapestry wallpaper)
- 19 length of wallpaper
- 20 butted paper edges
- 21 matching edge
- 22 non-matching edge
- 23 wallpaper paste

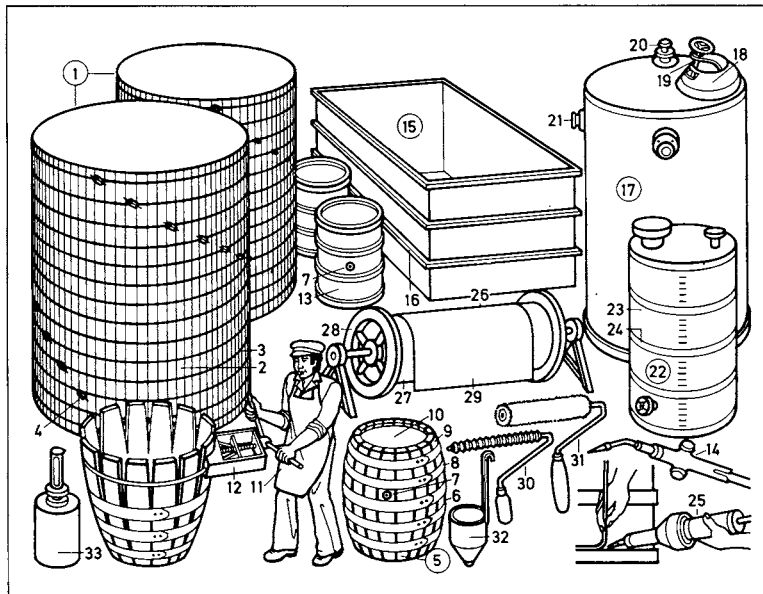
- 24 heavy-duty paste
- 25 pasting machine
- 26 paste [for the pasting machine]
- 27 paste brush
- 28 emulsion paste
- 29 picture rail
- 30 beading pins
- 31 pasteboard (paperhanger's bench)
- 32 gloss finish
- 33 paperhanging kit
- 34 shears (bull-nosed scissors)
- 35 filling knife
- 36 seam roller
- 37 hacking knife
- 38 knife (trimming knife)
- 39 straightedge
- 40 paperhanging brush
- 41 wallpaper-cutting board
- 42 cutter
- 43 trimmer
- 44 plastic spatula
- 45 chalked string
- 46 spreader
- 47 paper roller
- 48 flannel cloth
- 49 dry brush
- 50 ceiling paperhanger
- 51 overlap angle
- 52 paperhanger's trestles
- 53 ceiling paper

**1 painting**

- 1 painter
- 3 paintbrush
- 4 emulsion paint (emulsion)
- 5 stepladder
- 6 can (tin) of paint
- 7, 8 cans (tins) of paint
- 7 can (tin) with fixed handle
- 8 paint kettle
- 9 drum of paint
- 10 paint bucket
- 11 paint roller
- 12 grill [for removing excess paint from the roller]
- 13 stippling roller
- 14 varnishing
- 15 oil-painted dado
- 16 canister for thinner
- 17 flat brush for larger surfaces (flat wall brush)
- 18 stippler
- 19 fitch
- 20 cutting-in brush
- 21 radiator brush (flay brush)
- 22 paint scraper
- 23 scraper
- 24 putty knife
- 25 sandpaper
- 26 sandpaper block
- 27 floor brush

28 sanding and spraying

- 29 grinder
- 30 sander
- 31 pressure pot
- 32 spray gun
- 33 compressor (air compressor)
- 34 flow coating machine for flow coating radiators, etc.
- 35 hand spray
- 36 airless spray unit
- 37 airless spray gun
- 38 efflux viscometer
- 39 seconds timer
- 40 lettering and gilding
- 41 lettering brush (signwriting brush, pencil)
- 42 tracing wheel
- 43 stencil knife
- 44 oil gold size
- 45 gold leaf
- 46 outline drawing
- 47 mahlstick
- 48 pouncing
- 49 pounce bag
- 50 gilder's cushion
- 51 gilder's knife
- 52 sizing gold leaf
- 53 filling in the letters with stipple paint
- 54 gilder's mop



1-33 cooper's and tank construction engineer's workshops

- | | |
|--|--|
| 1 tank | 18 manhole |
| 2 circumference made of staves (staved circumference) | 19 manhole cover with handwheel |
| 3 iron rod | 20 flange mount |
| 4 turnbuckle | 21 flange-type stopcock |
| 5 barrel (cask) | 22 measuring tank |
| 6 body of barrel (of cask) | 23 shell (circumference) |
| 7 bunghole | 24 shrink ring |
| 8 band (hoop) of barrel | 25 hot-air gun |
| 9 barrel stave | 26 roller made of glass fibre (Am. glass fiber) reinforced synthetic resin |
| 10 barrelhead (heading) | 27 cylinder |
| 11 cooper | 28 flange |
| 12 trusser | 29 glass cloth |
| 13 drum | 30 grooved roller |
| 14 gas welding torch | 31 lambskin roller |
| 15 staining vat, made of thermoplastics | 32 ladle for testing viscosity |
| 16 iron reinforcing bands | 33 measuring vessel for hardener |
| 17 storage container, made of glass fibre (Am. glass fiber) reinforced polyester resin | |



1-25 furrier's workroom

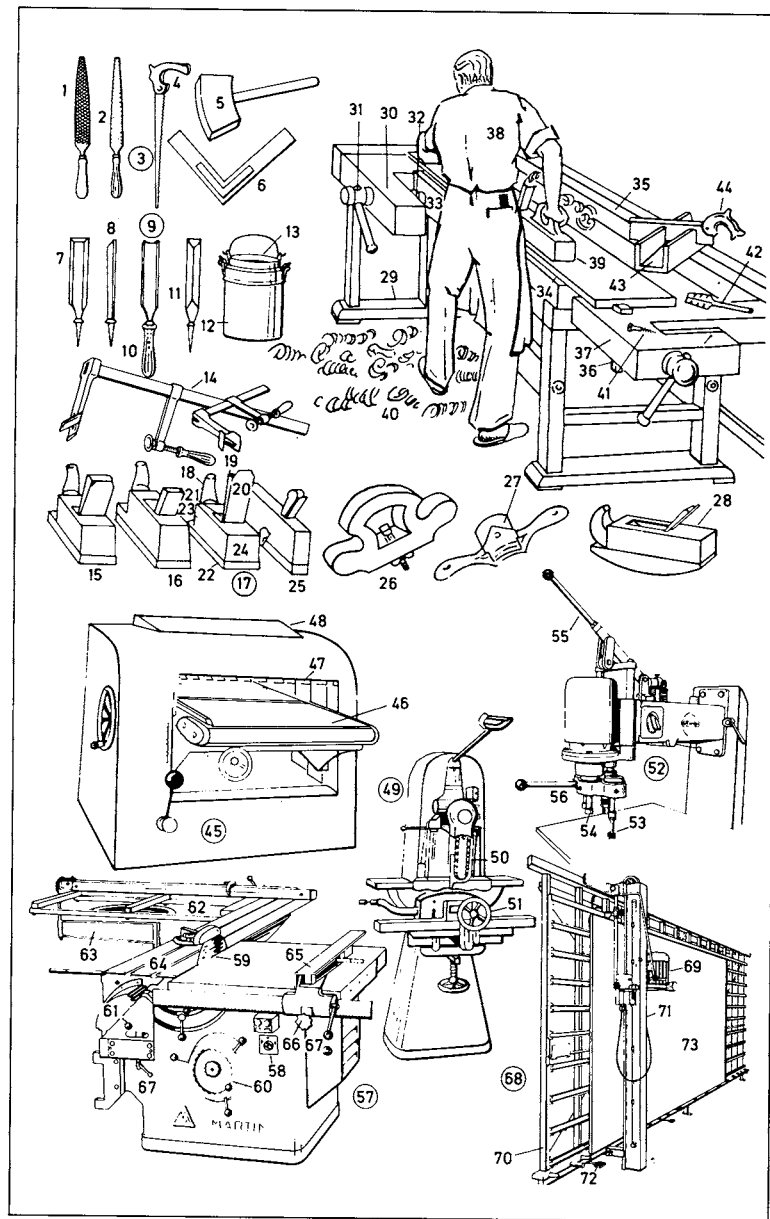
- | | |
|--|-----------------------------------|
| 1 furrier | 20 lynx fur, sewn together (sewn) |
| 2 steam spray gun | 21 broadtail |
| 3 steam iron | 22 fur marker |
| 4 beating machine | 23 fur worker |
| 5 cutting machine for letting out furskins | 24 mink coat |
| 6 uncut furskin | 25 ocelot coat |
| 7 let-out strips (let-out sections) | |
| 8 fur worker | |
| 9 fur-sewing machine | |
| 10 blower for letting out | |
| 11-21 furskins | |
| 11 mink skin | |
| 12 fur side | |
| 13 leather side | |
| 14 cut furskin | |
| 15 lynx skin before letting out | |
| 16 let-out lynx skin | |
| 17 fur side | |
| 18 leather side | |
| 19 let-out mink skin | |

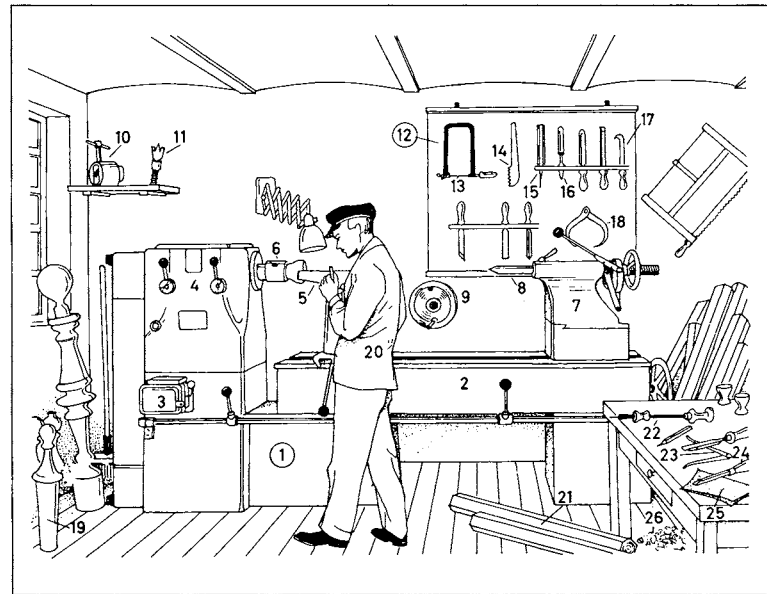
1-73 joiner's workshop

1-28 joiner's tools

- 1 wood rasp
- 2 wood file
- 3 compass saw (keyhole saw)
- 4 saw handle
- 5 [square-headed] mallet
- 6 try square
- 7-11 chisels
- 7 bevelled-edge chisel (chisel)
- 8 mortise (mortice) chisel
- 9 gouge
- 10 handle
- 11 framing chisel (cant chisel)
- 12 glue pot in water bath
- 13 glue pot (glue well), an insert for joiner's glue
- 14 handscrew
- 15-28 planes
- 15 smoothing plane
- 16 jack plane
- 17 toothing plane
- 18 handle (toat)
- 19 wedge
- 20 plane iron (cutter)
- 21 mouth
- 22 sole
- 23 side
- 24 stock (body)
- 25 rebate (rabbet) plane
- 26 router plane (old woman's tooth)
- 27 spokeshave
- 28 compass plane
- 29-37 woodworker's bench
- 29 foot
- 30 front vice (*Am. vise*)
- 31 vice (*Am. vise*) handle
- 32 vice (*Am. vise*) screw
- 33 jaw
- 34 bench top
- 35 well
- 36 bench stop (bench holdfast)
- 37 tail vice (*Am. vise*)
- 38 cabinet maker (joiner)
- 39 trying plane
- 40 shavings
- 41 wood screw

- 42 saw set
- 43 mitre (*Am. miter*) box
- 44 tenon saw
- 45 thicknesser (thicknessing machine)
- 46 thicknessing table with rollers
- 47 kick-back guard
- 48 chip-extractor opening
- 49 chain mortising machine (chain mortiser)
- 50 endless mortising chain
- 51 clamp (work clamp)
- 52 knot hole moulding (*Am. molding*) machine
- 53 knot hole cutter
- 54 quick-action chuck
- 55 hand lever
- 56 change-gear handle
- 57 sizing and edging machine
- 58 main switch
- 59 circular-saw (buzz saw) blade
- 60 height (rise and fall) adjustment wheel
- 61 V-way
- 62 framing table
- 63 extension arm (arm)
- 64 trimming table
- 65 fence
- 66 fence adjustment handle
- 67 clamp lever
- 68 board-sawing machine
- 69 swivel motor
- 70 board support
- 71 saw carriage
- 72 pedal for raising the transport rollers
- 73 blockboard

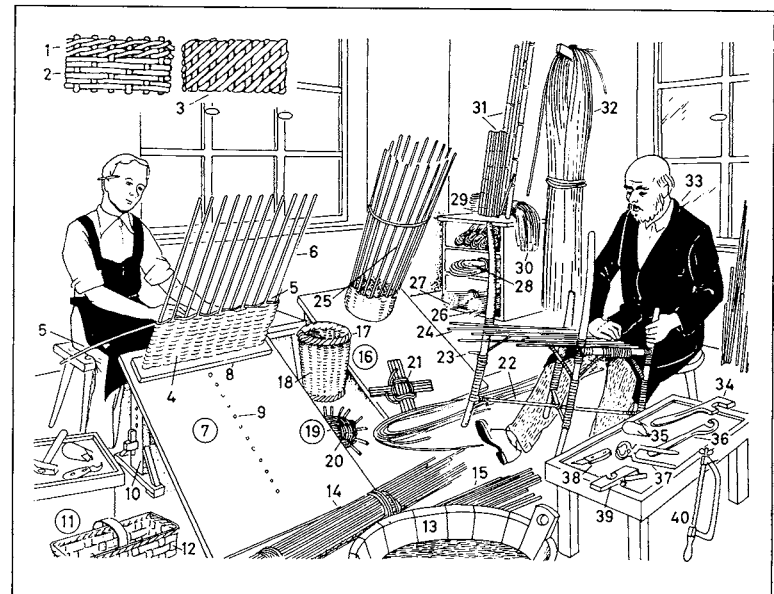


**1-26 turnery (turner's workshop)**

- 1 wood-turning lathe (lathe)
- 2 lathe bed
- 3 starting resistance (starting resistor)
- 4 gearbox
- 5 tool rest
- 6 chuck
- 7 tailstock
- 8 centre (*Am.* center)
- 9 driving plate with pin
- 10 two-jaw chuck
- 11 live centre (*Am.* center)
- 12 fretsaw
- 13 fretsaw blade
- 14, 15, 24 turning tools
- 14 thread chaser, for cutting threads in wood
- 15 gouge, for rough turning
- 16 spoon bit (shell bit)
- 17 hollowing tool
- 18 outside calliper (caliper)
- 19 turned work (turned wood)

20 master turner (turner)

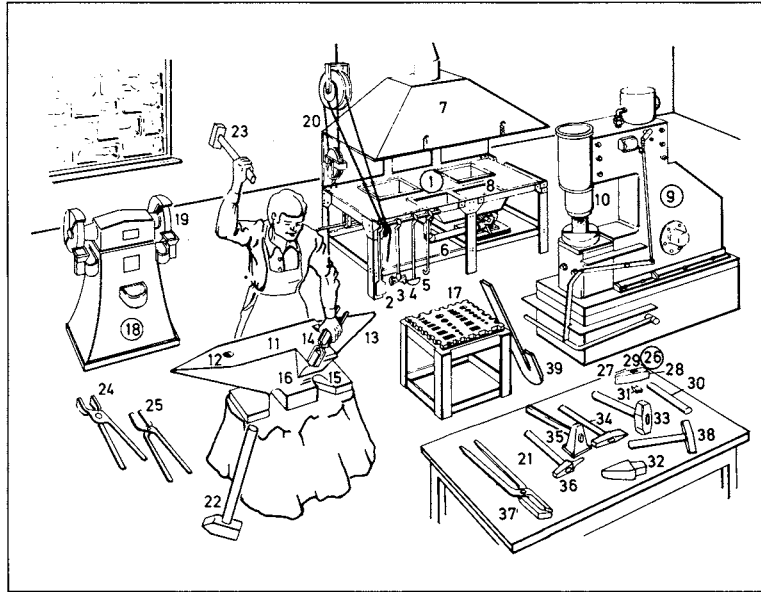
- 21 [piece of] rough wood
- 22 drill
- 23 inside calliper (caliper)
- 24 parting tool
- 25 glass paper (sandpaper, emery paper)
- 26 shavings

**1-40 basket making (basketry, basketwork)****1-4 weaves (strokes)**

- 1 randing
- 2 rib randing
- 3 oblique randing
- 4 randing, a piece of wickerwork (screen work)
- 5 weaver
- 6 stake
- 7 workboard: *also*: lapboard
- 8 screw block
- 9 hole for holding the block
- 10 stand
- 11 chip basket (spale basket)
- 12 chip (spale)
- 13 soaking tub
- 14 willow stakes (osier stakes)
- 15 willow rods (osier rods)
- 16 basket, a piece of wickerwork (basketwork)
- 17 border
- 18 woven side
- 19 round base

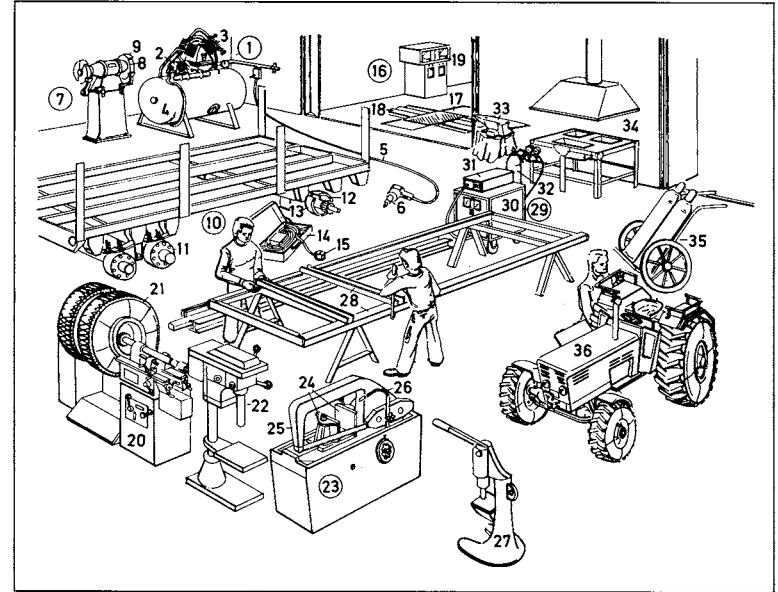
20 woven base**21 slath****22-24 covering a frame**

- 22 frame
- 23 end
- 24 rib
- 25 upsett
- 26 grass; *kinds*: esparto grass, alfalfa grass
- 27 rush (bulrush, reed mace)
- 28 reed
- 29 raffia (bast)
- 30 straw
- 31 bamboo cane
- 32 rattan (ratan) chair cane
- 33 basket maker
- 34 bending tool
- 35 cutting point (bodkin)
- 36 rapping iron
- 37 pincers
- 38 picking knife
- 39 shave
- 40 hacksaw

**1-8 hearth (forge) with blacksmith's fire**

- 1 hearth (forge)
- 2 shovel (slice)
- 3 swab
- 4 rake
- 5 poker
- 6 blast pipe (tue iron)
- 7 chimney (cowl, hood)
- 8 water trough (quenching trough, bosh)
- 9 power hammer
- 10 ram (tup)
- 11-16 anvil**
- 11 anvil
- 12 flat beak (beck, bick)
- 13 round beak (beck, bick)
- 14 auxiliary table
- 15 foot
- 16 upsetting block
- 17 swage block
- 18 tool-grinding machine (tool grinder)

- 19 grinding wheel
- 20 block and tackle
- 21 workbench (bench)
- 22-39 blacksmith's tools**
- 22 sledge hammer
- 23 blacksmith's hand hammer
- 24 flat tongs
- 25 round tongs
- 26 parts of the hammer
- 27 peen (pane, pein)
- 28 face
- 29 eye
- 30 haft
- 31 cotter punch
- 32 hardy (hardie)
- 33 set hammer
- 34 sett (set, sate)
- 35 flat-face hammer (flatter)
- 36 round punch
- 37 angle tongs
- 38 blacksmith's chisel (scaling hammer, chipping hammer)
- 39 moving iron (bending iron)

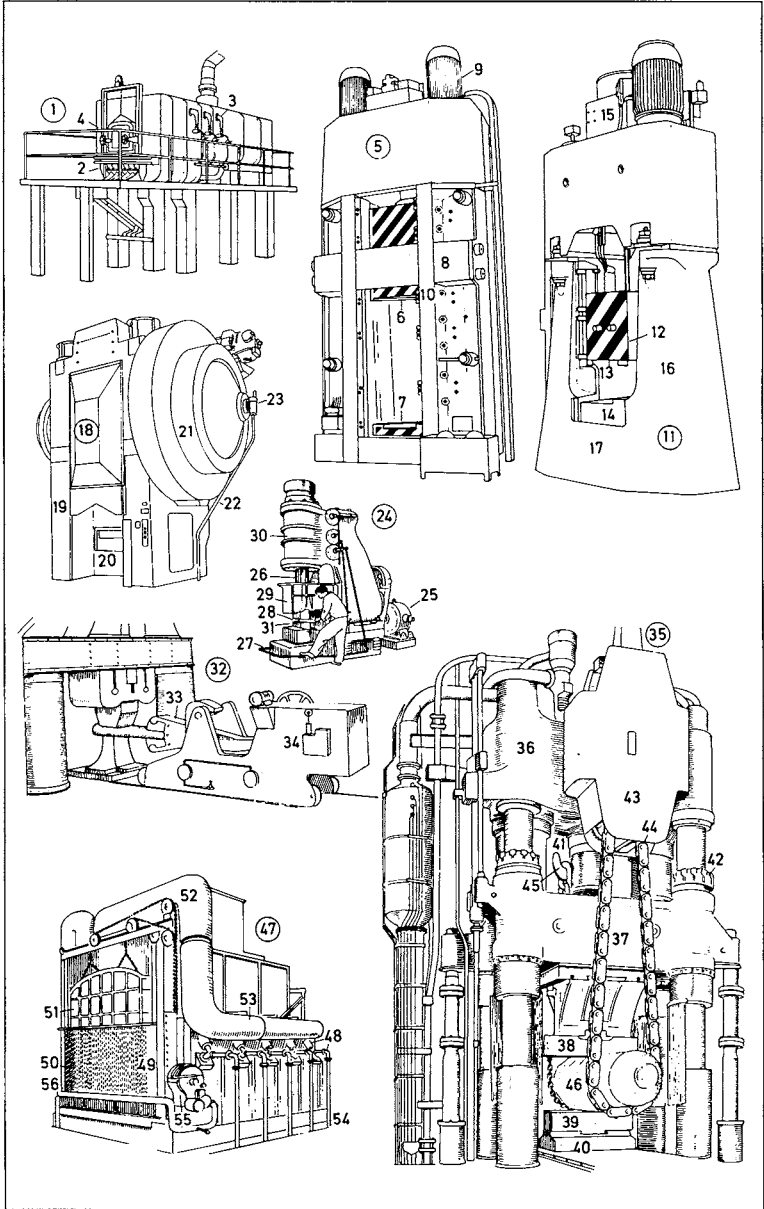


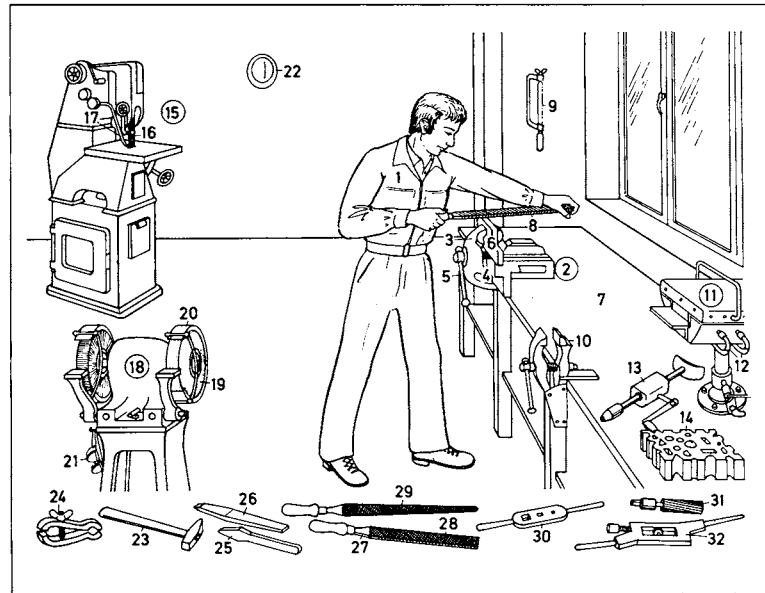
- 1 compressed-air system
- 2 electric motor
- 3 compressor
- 4 compressed-air tank
- 5 compressed-air line
- 6 percussion screwdriver
- 7 pedestal grinding machine (floor grinding machine)
- 8 grinding wheel
- 9 guard
- 10 trailer
- 11 brake drum
- 12 brake shoe
- 13 brake lining
- 14 testing kit
- 15 pressure gauge (*Am. gage*)
- 16 brake-testing equipment, a rolling road
- 17 pit
- 18 braking roller
- 19 meter (recording meter)
- 20 precision lathe for brake drums
- 21 lorry wheel
- 22 boring mill
- 23 power saw, a hacksaw (power hacksaw)
- 24 vice (*Am. vise*)
- 25 saw frame
- 26 coolant supply pipe
- 27 riveting machine
- 28 trailer frame (chassis) under construction
- 29 inert-gas welding equipment
- 30 rectifier
- 31 control unit
- 32 CO₂ cylinder
- 33 anvil
- 34 hearth (forge) with blacksmith's fire
- 35 trolley for gas cylinders
- 36 vehicle under repair, a tractor

139 Hammer Forging (Smith Forging) and Drop Forging

- 1 continuous furnace with grid hearth for annealing of round stock
- 2 discharge opening (discharge door)
- 3 gas burners
- 4 charging door
- 5 counterblow hammer
- 6 upper ram
- 7 lower ram
- 8 ram guide
- 9 hydraulic drive
- 10 column
- 11 short-stroke drop hammer
- 12 ram (tup)
- 13 upper die block
- 14 lower die block
- 15 hydraulic drive
- 16 frame
- 17 anvil
- 18 forging and sizing press
- 19 standard
- 20 table
- 21 disc (disk) clutch
- 22 compressed-air pipe
- 23 solenoid valve
- 24 air-lift gravity hammer (air-lift drop hammer)
- 25 drive motor
- 26 hammer (tup)
- 27 foot control (foot pedal)
- 28 preshaped (blocked) workpiece
- 29 hammer guide
- 30 hammer cylinder
- 31 anvil
- 32 mechanical manipulator to move the workpiece in hammer forging
- 33 dogs
- 34 counterweight
- 35 hydraulic forging press
- 36 crown
- 37 cross head
- 38 upper die block
- 39 lower die block
- 40 anvil
- 41 hydraulic piston
- 42 pillar guide
- 43 rollover device
- 44 burden chain (chain sling)
- 45 crane hook
- 46 workpiece
- 47 gas furnace (gas-fired furnace)
- 48 gas burner
- 49 charging opening
- 50 chain curtain
- 51 vertical-lift door
- 52 hot-air duct
- 53 air preheater
- 54 gas pipe
- 55 electric door-lifting mechanism
- 56 air blast

Hammer Forging (Smith Forging) and Drop Forging 139





1-22 metalwork shop (mechanic's workshop, fitter's workshop, locksmith's workshop)

- 1 metalworker (*e.g.* mechanic, fitter, locksmith; *form. also:* wrought-iron craftsman)
- 2 parallel-jaw vice (*Am. vise*)
- 3 jaw
- 4 screw
- 5 handle
- 6 workpiece
- 7 workbench (bench)
- 8 files (*kinds:* rough file, smooth file, precision file)
- 9 hacksaw
- 10 leg vice (*Am. vise*), a spring vice
- 11 muffle furnace, a gas-fired furnace
- 12 gas pipe
- 13 hand brace (hand drill)
- 14 swage block
- 15 filing machine
- 16 file
- 17 compressed-air pipe

- 18 grinding machine (grinder)
- 19 grinding wheel
- 20 guard
- 21 goggles (safety glasses)
- 22 safety helmet
- 23 machinist's hammer
- 24 hand vice (*Am. vise*)
- 25 cape chisel (cross-cut chisel)
- 26 flat chisel
- 27 flat file
- 28 file cut (cut)
- 29 round file (*also:* half-round file)
- 30 tap wrench
- 31 reamer
- 32 die (die and stock)

33-35 key

- 33 stem (shank)
- 34 bow
- 35 bit

36-43 door lock, a mortise (mortice) lock

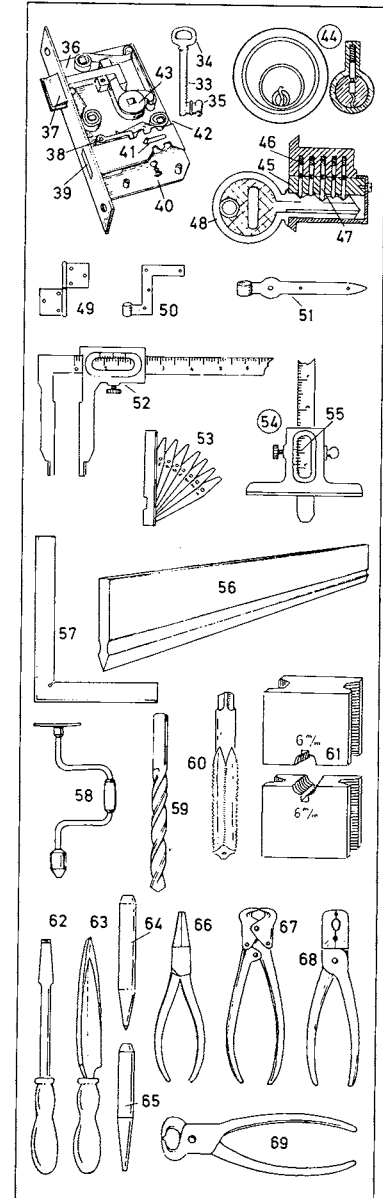
- 36 back plate
- 37 spring bolt (latch bolt)
- 38 tumbler
- 39 bolt
- 40 keyhole
- 41 bolt guide pin
- 42 tumbler spring
- 43 follower, with square hole
- 44 cylinder lock (safety lock)
- 45 cylinder (plug)
- 46 spring
- 47 pin
- 48 safety key, a flat key
- 49 lift-off hinge
- 50 hook-and-ride band
- 51 strap hinge

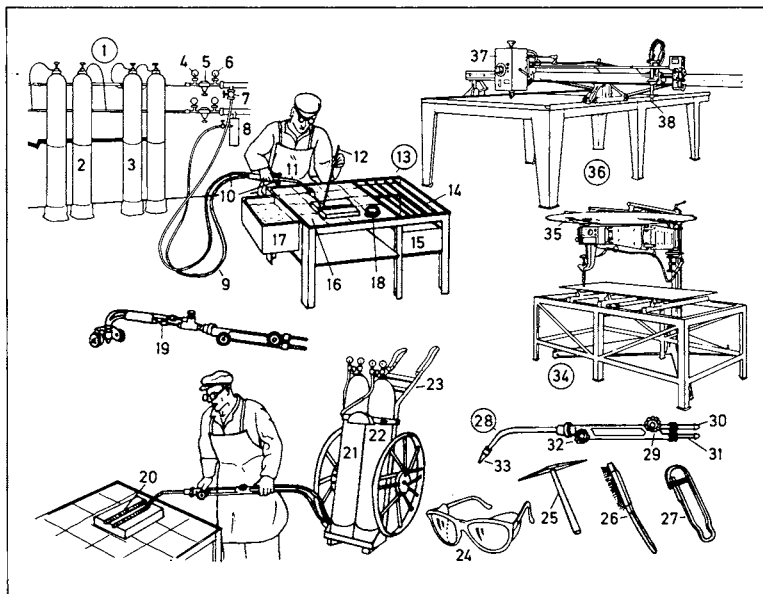
52 vernier calliper (caliper) gauge (*Am. gage*)

- 53 feeler gauge (*Am. gage*)
- 54 vernier depth gauge (*Am. gage*)

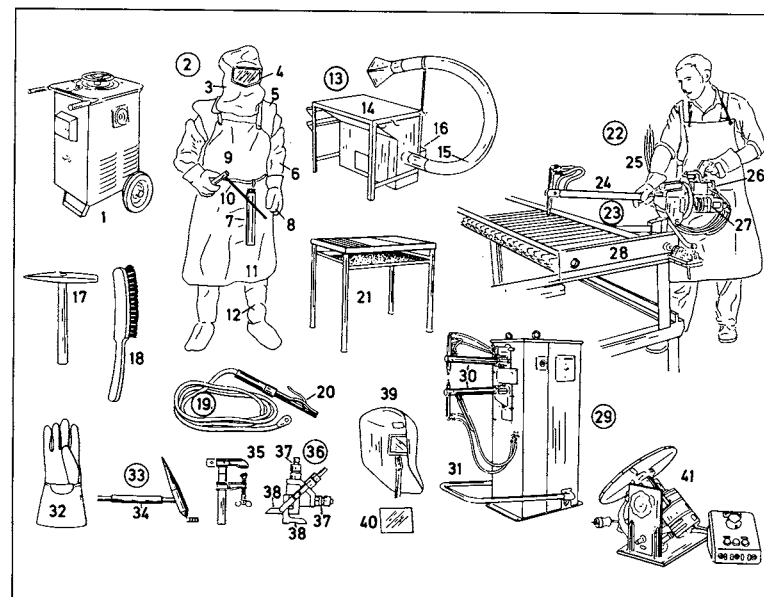
- 55 vernier
- 56 straightedge
- 57 square
- 58 breast drill
- 59 twist bit (twist drill)
- 60 screw tap (tap)
- 61 halves of a screw die
- 62 screwdriver
- 63 scraper (*also:* pointed triangle scraper)

- 64 centre (*Am. center*) punch
- 65 round punch
- 66 flat-nose pliers
- 67 detachable-jaw cut nippers
- 68 gas pliers
- 69 pincers





- | | |
|---|--|
| 1 gas cylinder manifold | 21 oxygen cylinder |
| 2 acetylene cylinder | 22 acetylene cylinder |
| 3 oxygen cylinder | 23 cylinder trolley |
| 4 high-pressure manometer | 24 welding goggles |
| 5 pressure-reducing valve (reducing valve, pressure regulator) | 25 chipping hammer |
| 6 low-pressure manometer | 26 wire brush |
| 7 stop valve | 27 torch lighter (blowpipe lighter) |
| 8 hydraulic back-pressure valve for low-pressure installations | 28 welding torch (blowpipe) |
| 9 gas hose | 29 oxygen control |
| 10 oxygen hose | 30 oxygen connection |
| 11 welding torch (blowpipe) | 31 gas connection (acetylene connection) |
| 12 welding rod (filler rod) | 32 gas control (acetylene control) |
| 13 welding bench | 33 welding nozzle |
| 14 grating | 34 cutting machine |
| 15 scrap box | 35 circular template |
| 16 bench covering of chamotte slabs | 36 universal cutting machine |
| 17 water tank | 37 tracing head |
| 18 welding paste (flux) | 38 cutting nozzle |
| 19 welding torch (blowpipe) with cutting attachment and guide tractor | |
| 20 workpiece | |

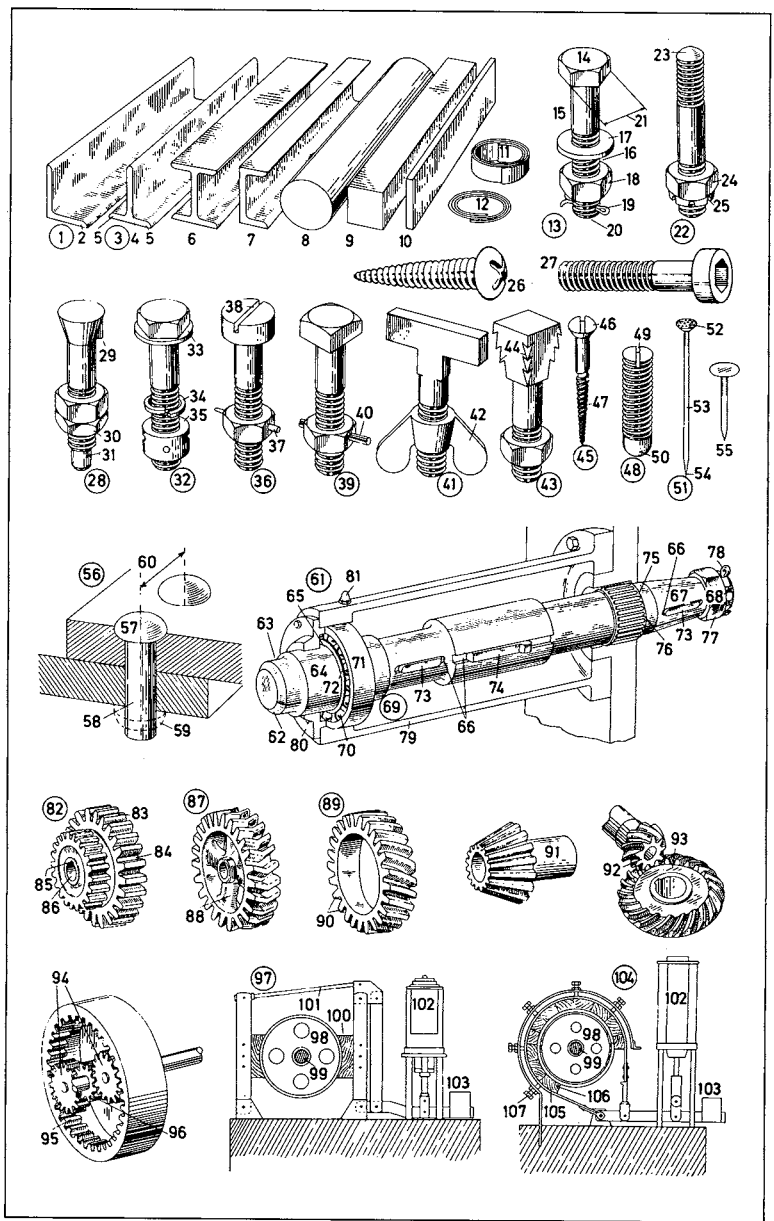


- | | |
|---|--|
| 1 welding transformer | 23 spot welding electrode holder |
| 2 arc welder | 24 electrode arm |
| 3 arc welding helmet | 25 power supply (lead) |
| 4 flip-up window | 26 electrode-pressure cylinder |
| 5 shoulder guard | 27 welding transformer |
| 6 protective sleeve | 28 workpiece |
| 7 electrode case | 29 foot-operated spot welder |
| 8 three-fingered welding glove | 30 welder electrode arms |
| 9 electrode holder | 31 foot pedal for welding pressure adjustment |
| 10 electrode | 32 five-fingered welding glove |
| 11 leather apron | 33 inert-gas torch for inert-gas welding (gas-shielded arc welding) |
| 12 shin guard | 34 inert-gas (shielding-gas) supply |
| 13 welding table with fume extraction equipment | 35 work clamp (earthing clamp) |
| 14 table top | 36 fillet gauge (Am. gage) (weld gauge) [for measuring throat thickness] |
| 15 movable extractor duct | 37 micrometer |
| 16 extractor support | 38 measuring arm |
| 17 chipping hammer | 39 arc welding helmet |
| 18 wire brush | 40 filter lens |
| 19 welding lead | 41 small turntable |
| 20 electrode holder | |
| 21 welding bench | |
| 22 spot welding | |

[material: steel, brass, aluminium (Am. aluminium), plastics, etc.; in the following, steel was chosen as an example]

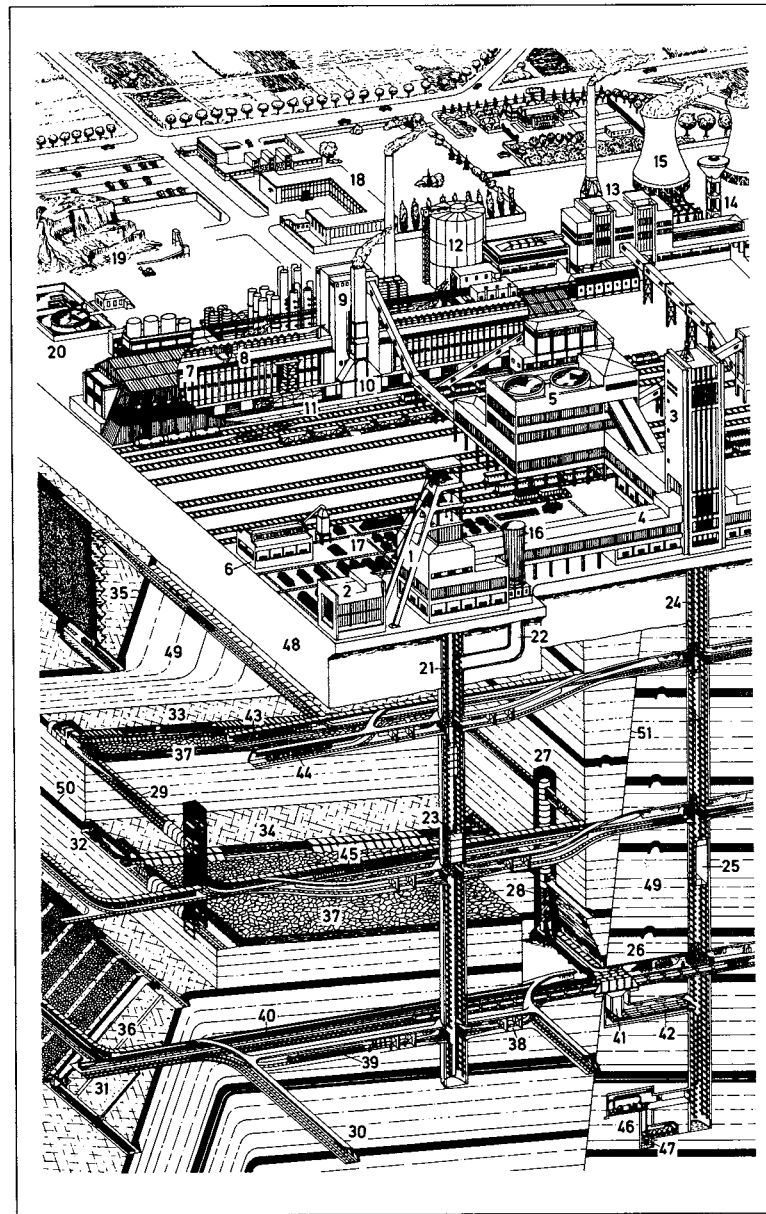
- 1 angle iron (angle)
- 2 leg (flange)
- 3-7 **steel girders**
- 3 T-iron (tee-iron)
- 4 vertical leg
- 5 flange
- 6 H-girder (H-beam)
- 7 E-channel (channel iron)
- 8 round bar
- 9 square iron (Am. square stock)
- 10 flat bar
- 11 strip steel
- 12 iron wire
- 13-50 **screws and bolts**
- 13 hexagonal-head bolt
- 14 head
- 15 shank
- 16 thread
- 17 washer
- 18 hexagonal nut
- 19 split pin
- 20 rounded end
- 21 width of head (of flats)
- 22 stud
- 23 point (end)
- 24 castle nut (castellated nut)
- 25 hole for the split pin
- 26 cross-head screw, a sheet-metal screw (self-tapping screw)
- 27 hexagonal socket head screw
- 28 countersunk-head bolt
- 29 catch
- 30 locknut (locking nut)
- 31 bolt (pin)
- 32 collar-head bolt
- 33 set collar (integral collar)
- 34 spring washer (washer)
- 35 round nut, an adjusting nut
- 36 cheese-head screw, a slotted screw
- 37 tapered pin
- 38 screw slot (screw slit, screw groove)
- 39 square-head bolt
- 40 grooved pin, a cylindrical pin
- 41 T-head bolt
- 42 wing nut (fly nut, butterfly nut)
- 43 rag bolt
- 44 barb
- 45 wood screw
- 46 countersunk head
- 47 wood screw thread
- 48 grub screw
- 49 pin slot (pin slit, pin groove)
- 50 round end
- 51 nail (wire nail)
- 52 head
- 53 shank
- 54 point
- 55 roofing nail

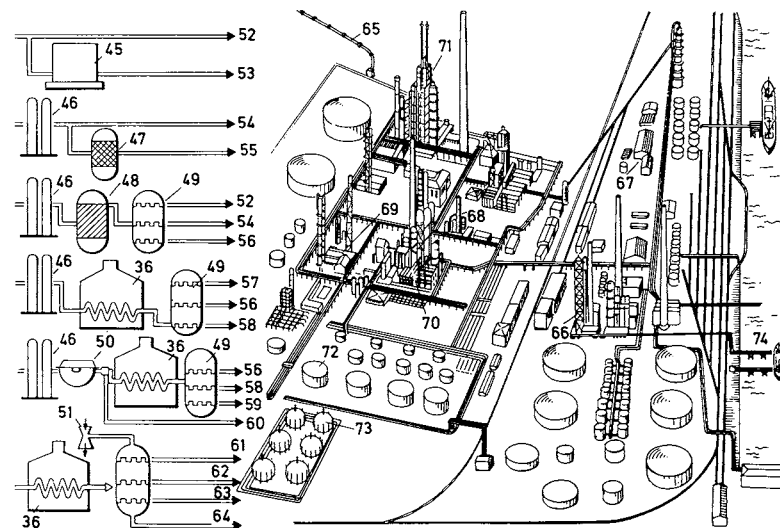
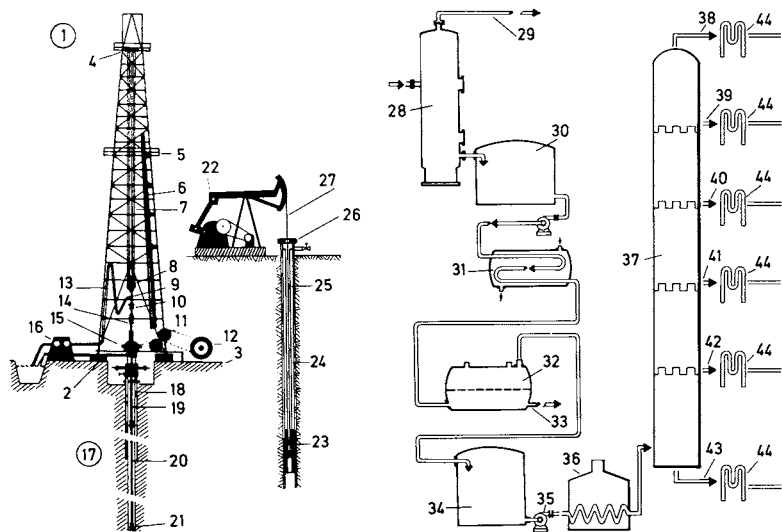
- 56 riveting (lap riveting)
- 57-60 **rivet**
- 57 set head (swage head, die head), a rivet head
- 58 rivet shank
- 59 closing head
- 60 pitch of rivets
- 61 **shaft**
- 62 chamfer (bevel)
- 63 journal
- 64 neck
- 65 seat
- 66 keyway
- 67 conical seat (cone)
- 68 thread
- 69 **ball bearing**, an antifriction bearing
- 70 steel ball (ball)
- 71 outer race
- 72 inner race
- 73, 74 **keys**
- 73 sunk key (feather)
- 74 gib (gib-headed key)
- 75, 76 **needle roller bearing**
- 75 needle cage
- 76 needle
- 77 castle nut (castellated nut)
- 78 split pin
- 79 casing
- 80 casing cover
- 81 grease nipple (lubricating nipple)
- 82-96 **gear wheels, cog wheels**
- 82 stepped gear wheel
- 83 cog (tooth)
- 84 space between teeth
- 85 keyway (key seat, key slot)
- 86 bore
- 87 herringbone gear wheel
- 88 spoke (arm)
- 89 helical gearing (helical spur wheel)
- 90 sprocket
- 91 bevel gear wheel (bevel wheel)
- 92, 93 **spiral toothing**
- 92 pinion
- 93 crown wheel
- 94-96 **epicyclic gear (planetary gear)**
- 94 planet wheels
- 95 internal gear
- 96 sun wheel (sun gear)
- 97-107 **absorption dynamometer**
- 97 shoe brake (check brake, block brake)
- 98 brake pulley
- 99 brake shaft (brake axle)
- 100 brake block (brake shoe)
- 101 pull rod
- 102 brake magnet
- 103 brake weight
- 104 band brake
- 105 brake band
- 106 brake lining
- 107 adjusting screw, for even application of the brake



- 1-51 coal mine (colliery, pit)
- 1 pithead gear (headgear)
- 2 winding engine house
- 3 pithead frame (head frame)
- 4 pithead building
- 5 processing plant
- 6 sawmill
- 7-11 coking plant
- 7 battery of coke ovens
- 8 larry car (larry, charging car)
- 9 coking coal tower
- 10 coke-quenching tower
- 11 coke-quenching car
- 12 gasometer
- 13 power plant (power station)
- 14 water tower
- 15 cooling tower
- 16 mine fan
- 17 depot
- 18 administration building (office building, offices)
- 19 tip heap (spoil heap)
- 20 cleaning plant
- 21-51 underground workings (underground mining)
- 21 ventilation shaft
- 22 fan drift
- 23 cage-winding system with cages
- 24 main shaft
- 25 skip-winding system
- 26 winding inset
- 27 staple shaft
- 28 spiral chute
- 29 gallery along seam
- 30 lateral
- 31 cross-cut
- 32 tunnelling (*Am.* tunneling) machine
- 33-37 longwall faces
- 33 horizontal ploughed longwall face
- 34 horizontal cut longwall face
- 35 vertical pneumatic pick longwall face
- 36 diagonal ram longwall face
- 37 goaf (gob, waste)
- 38 air lock
- 39 transportation of men by cars

- 40 belt conveying
- 41 raw coal bunker
- 42 charging conveyer
- 43 transportation of supplies by monorail car
- 44 transportation of men by monorail car
- 45 transportation of supplies by mine car
- 46 drainage
- 47 sump (sink)
- 48 capping
- 49 [layer of] coal-bearing rock
- 50 coal seam
- 51 fault



**1-21 oil drilling**

- 1 drilling rig
- 2 substructure
- 3 crown safety platform
- 4 crown blocks
- 5 working platform, an intermediate platform
- 6 drill pipes
- 7 drilling cable (drilling line)
- 8 travelling (*Am.* traveling) block
- 9 hook
- 10 [rotary] swivel
- 11 hoist
- 12 engine
- 13 standpipe and rotary hose
- 14 kelly
- 15 rotary table
- 16 slush pump (mud pump)
- 17 well
- 18 casing
- 19 drilling pipe
- 20 tubing
- 21 drilling bit; *kinds:* fishtail (blade) bit, rock (*Am.* roller) bit, core bit

22-27 oil (crude oil) production

- 22 pumping unit (pump)
- 23 plunger
- 24 tubing
- 25 sucker rods (pumping rods)
- 26 stuffing box
- 27 polish (polished) rod
- 28-35 **treatment of crude oil** [diagram]
- 28 gas separator
- 29 gas pipe (gas outlet)
- 30 wet oil tank (wash tank)
- 31 water heater
- 32 water and brine separator
- 33 salt water pipe (salt water outlet)
- 34 oil tank
- 35 trunk pipeline for oil [to the refinery or transport by tanker lorry (*Am.* tank truck), oil tanker or pipeline]

36-64 processing of crude oil [diagram]

- 36 oil furnace (pipe still)
- 37 fractionating column (distillation column) with trays
- 38 top gases (tops)

- 39 light distillation products
- 40 heavy distillation products
- 41 petroleum
- 42 gas oil component
- 43 residue
- 44 condenser (cooler)
- 45 compressor
- 46 desulphurizing (desulphurization, *Am.* desulfurizing, desulfurization) plant
- 47 reformer (hydroformer, platformer)
- 48 catalytic cracker (cat cracker)
- 49 distillation column
- 50 de-waxing (wax separation)
- 51 vacuum equipment
- 52-64 **oil products**
- 52 fuel gas
- 53 liquefied petroleum gas (liquid gas)
- 54 regular grade petrol (*Am.* gasoline)
- 55 super grade petrol (*Am.* gasoline)
- 56 diesel oil

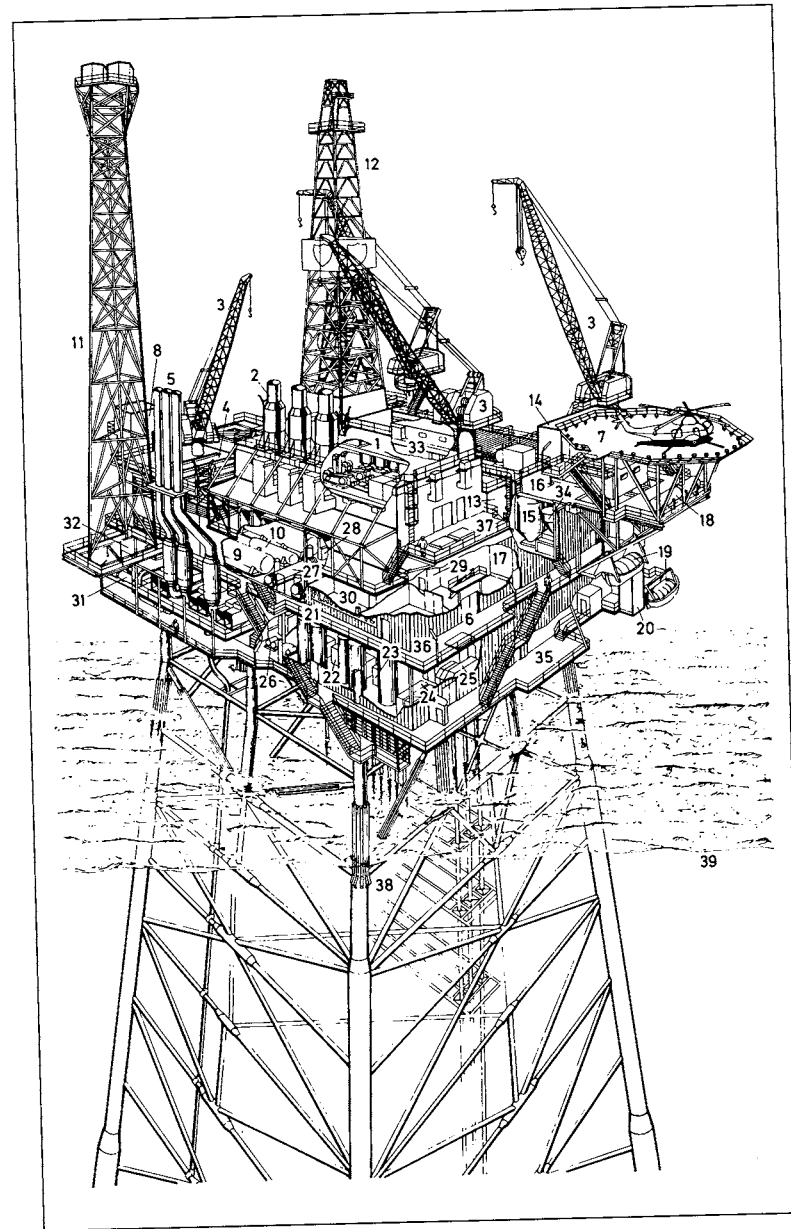
- 57 aviation fuel
- 58 light fuel oil
- 59 heavy fuel oil
- 60 paraffin (paraffin oil, kerosene)
- 61 spindle oil
- 62 lubricating oil
- 63 cylinder oil
- 64 bitumen
- 65-74 **oil refinery**
- 65 pipeline (oil pipeline)
- 66 distillation plants
- 67 lubricating oil refinery
- 68 desulphurizing (desulphurization, *Am.* desulfurizing, desulfurization) plant
- 69 gas-separating plant
- 70 catalytic cracking plant
- 71 catalytic reformer
- 72 storage tank
- 73 spherical tank
- 74 tanker terminal

146 Offshore Drilling

1-39 drilling rig (oil rig)

1-37 drilling platform

- 1 power station
- 2 generator exhausts
- 3 revolving crane (pedestal crane)
- 4 piperack
- 5 turbine exhausts
- 6 materials store
- 7 helicopter deck (heliport deck, heliport)
- 8 elevator
- 9 production oil and gas separator
- 10 test oil and gas separators (test separators)
- 11 emergency flare stack
- 12 derrick
- 13 diesel tank
- 14 office building
- 15 cement storage tanks
- 16 drinking water tank
- 17 salt water tank
- 18 jet fuel tanks
- 19 lifeboats
- 20 elevator shaft
- 21 compressed-air reservoir
- 22 pumping station
- 23 air compressor
- 24 air lock
- 25 seawater desalination plant
- 26 inlet filters for diesel fuel
- 27 gas cooler
- 28 control panel for the separators
- 29 toilets (lavatories)
- 30 workshop
- 31 pig trap [the 'pig' is used to clean the oil pipeline]
- 32 control room
- 33 accommodation modules (accommodation)
- 34 high-pressure cementing pumps
- 35 lower deck
- 36 middle deck
- 37 top deck (main deck)
- 38 substructure
- 39 mean sea level



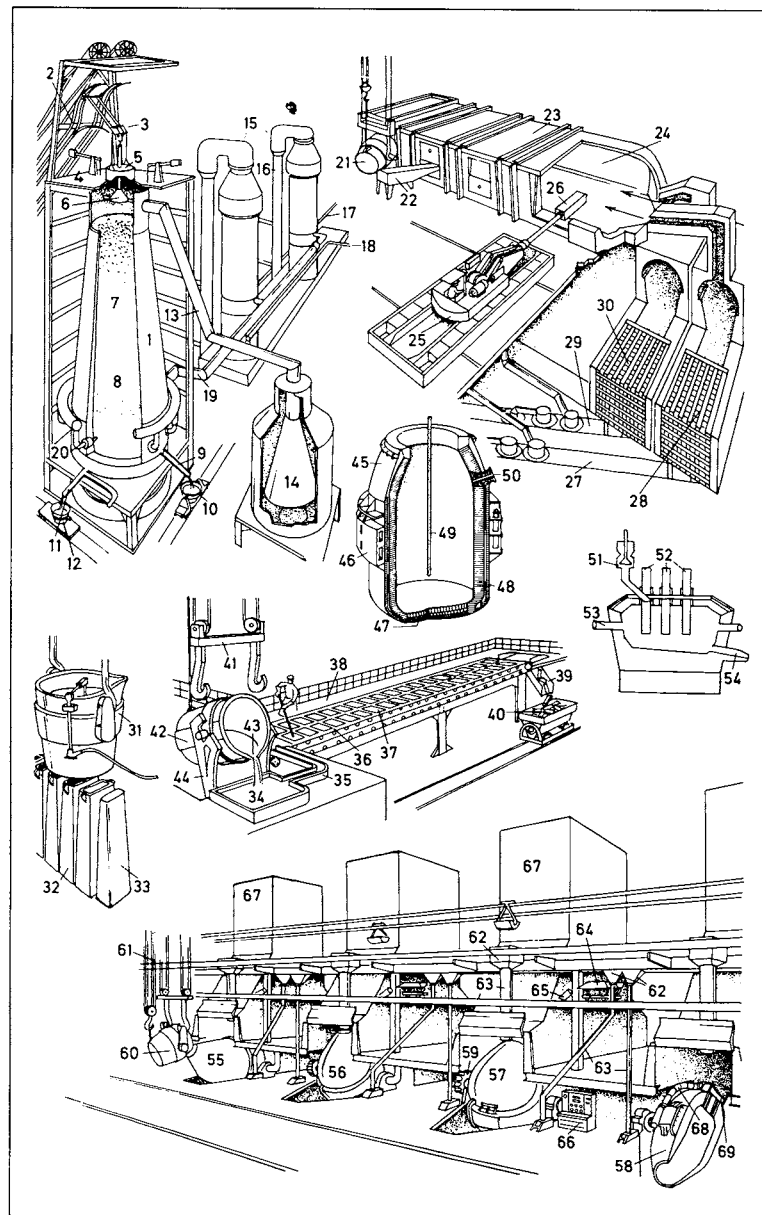
1-20 blast furnace plant

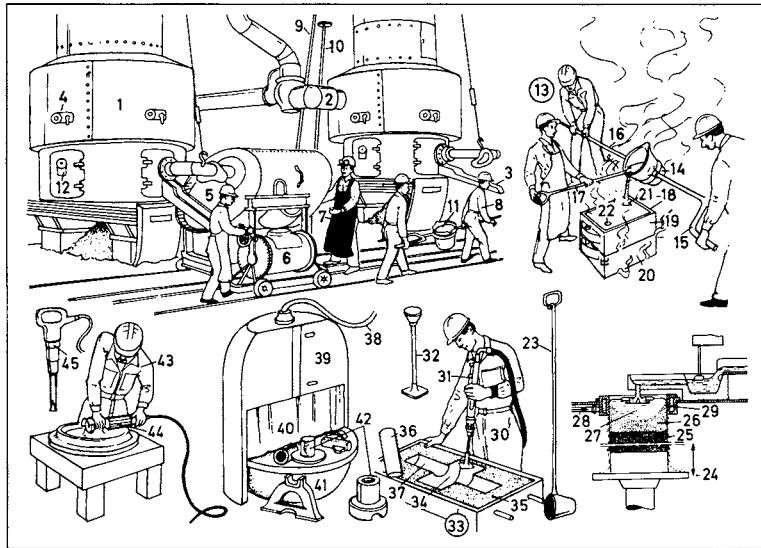
- 1 blast furnace, a shaft furnace
- 2 furnace incline (lift) for ore and flux or coke
- 3 skip hoist
- 4 charging platform
- 5 receiving hopper
- 6 bell
- 7 blast furnace shaft
- 8 smelting section
- 9 slag escape
- 10 slag ladle
- 11 pig iron (crude iron, iron) runout
- 12 pig iron (crude iron, iron) ladle
- 13 downtake
- 14 dust catcher, a dust-collecting machine
- 15 hot-blast stove
- 16 external combustion chamber
- 17 blast main
- 18 gas pipe
- 19 hot-blast pipe
- 20 tuyère

21-69 steelworks**21-30 Siemens-Martin open-hearth furnace**

- 21 pig iron (crude iron, iron) ladle
- 22 feed runner
- 23 stationary furnace
- 24 hearth
- 25 charging machine
- 26 scrap iron charging box
- 27 gas pipe
- 28 gas regenerator chamber
- 29 air feed pipe
- 30 air regenerator chamber
- 31 [bottom-pouring] steel-casting ladle with stopper
- 32 ingot mould (*Am.* mold)
- 33 steel ingot
- 34-44 pig-casting machine**
- 34 pouring end
- 35 metal runner
- 36 series (strand) of moulds (*Am.* molds)
- 37 mould (*Am.* mold)
- 38 catwalk

- 39 discharging chute
- 40 pig
- 41 travelling (*Am.* traveling) crane
- 42 top-pouring pig iron (crude iron, iron) ladle
- 43 pouring ladle lip
- 44 tilting device (tipping device, *Am.* dumping device)
- 45-50 oxygen-blowing converter (L-D converter, Linz-Donawitz converter)**
- 45 conical converter top
- 46 mantle
- 47 solid converter bottom
- 48 fireproof lining (refractory lining)
- 49 oxygen lance
- 50 tapping hole (tap hole)
- 51-54 Siemens electric low-shaft furnace**
- 51 feed
- 52 electrodes [arranged in a circle]
- 53 bustle pipe
- 54 runout
- 55-69 Thomas converter (basic Bessemer converter)**
- 55 charging position for molten pig iron
- 56 charging position for lime
- 57 blow position
- 58 discharging position
- 59 tilting device (tipping device, *Am.* dumping device)
- 60 crane-operated ladle
- 61 auxiliary crane hoist
- 62 lime bunker
- 63 downpipe
- 64 tipping car (*Am.* dump truck)
- 65 scrap iron feed
- 66 control desk
- 67 converter chimney
- 68 blast main
- 69 wind box

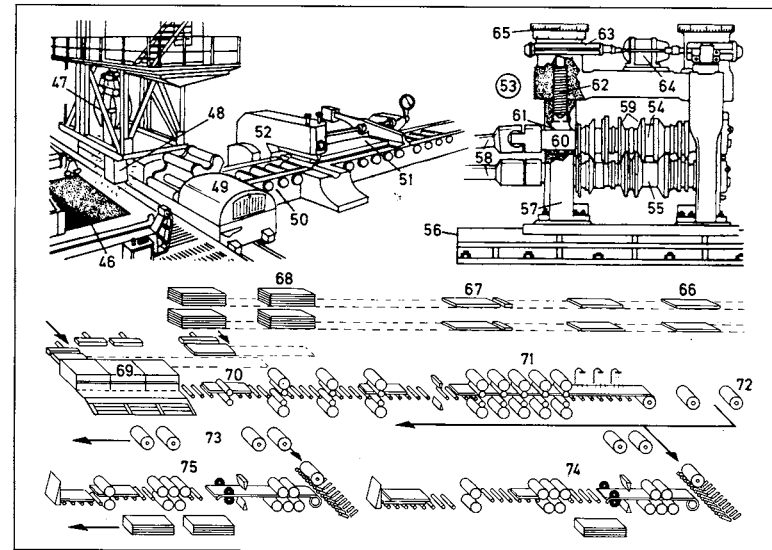


**1-45 iron foundry****1-12 melting plant**

- 1 cupola furnace (cupola), a melting furnace
- 2 blast main (blast inlet, blast pipe)
- 3 tapping spout
- 4 spyhole
- 5 tilting-type [hot-metal] receiver
- 6 mobile drum-type ladle
- 7 melter
- 8 founder (caster)
- 9 tap bar (tapping bar)
- 10 bott stick (*Am.* bot stick)
- 11 molten iron
- 12 slag spout
- 13 casting team
- 14 hand shank
- 15 double handle (crutch)
- 16 carrying bar
- 17 skimmer rod
- 18 closed moulding (*Am.* moulding) box
- 19 upper frame (cope)
- 20 lower frame (drag)
- 21 runner (runner gate, down-gate)

22 riser (riser gate)**23 hand ladle****24-29 continuous casting**

- 24 sinking pouring floor
- 25 solidifying pig
- 26 solid stage
- 27 liquid stage
- 28 water-cooling system
- 29 mould (*Am.* mold) wall
- 30-37 moulding (*Am.* molding) department (moulding shop)**
- 30 moulder (*Am.* molder)
- 31 pneumatic rammer
- 32 hand rammer
- 33 open moulding (*Am.* molding) box
- 34 pattern
- 35 moulding (*Am.* molding) sand
- 36 core
- 37 core print
- 38-45 cleaning shop (fettling shop)**
- 38 steel grit or sand delivery pipe
- 39 rotary-table shot-blasting machine
- 40 grit guard
- 41 revolving table
- 42 casting

**43 fettler****44 pneumatic grinder****45 pneumatic chisel****46-75 rolling mill**

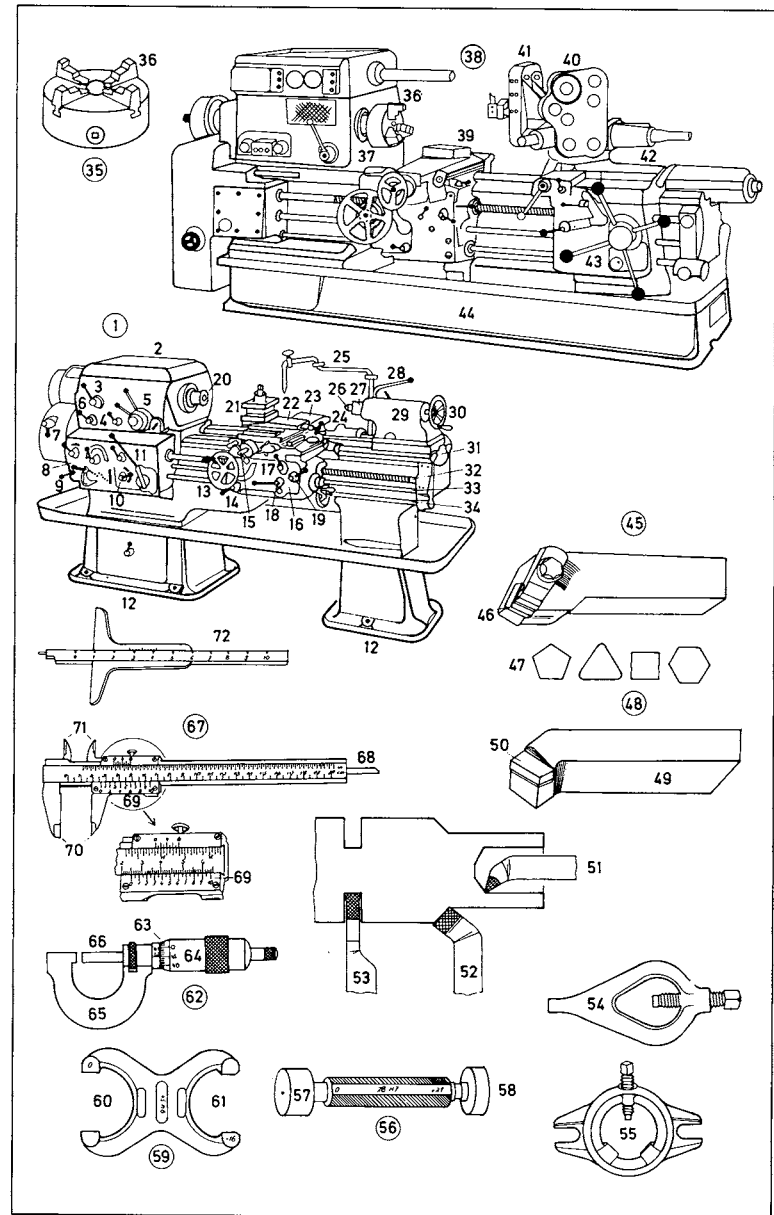
- 46 soaking pit
- 47 soaking pit crane
- 48 ingot
- 49 ingot tipper
- 50 roller table
- 51 workpiece
- 52 bloom shears
- 53 two-high mill
- 54 upper roll (upper roller)
- 55 lower roll (lower roller)
- 56-60 roll stand**
- 56 base plate
- 57 housing (frame)
- 58 coupling spindle
- 59 groove
- 60 roll bearing
- 61-65 adjusting equipment**
- 61 chock
- 62 main screw
- 63 gear

64 motor**65 indicator for rough and fine adjustment****66-75 continuous rolling mill train for the manufacture of strip [diagram]**

- 66-68 processing of semi-finished product
- 66 semi-finished product
- 67 gas cutting installation
- 68 stack of finished steel sheets
- 69 continuous reheating furnaces
- 70 blooming train
- 71 finishing train
- 72 coiler
- 73 stock of coils for sale
- 74 5 mm shearing train
- 75 10 mm shearing train

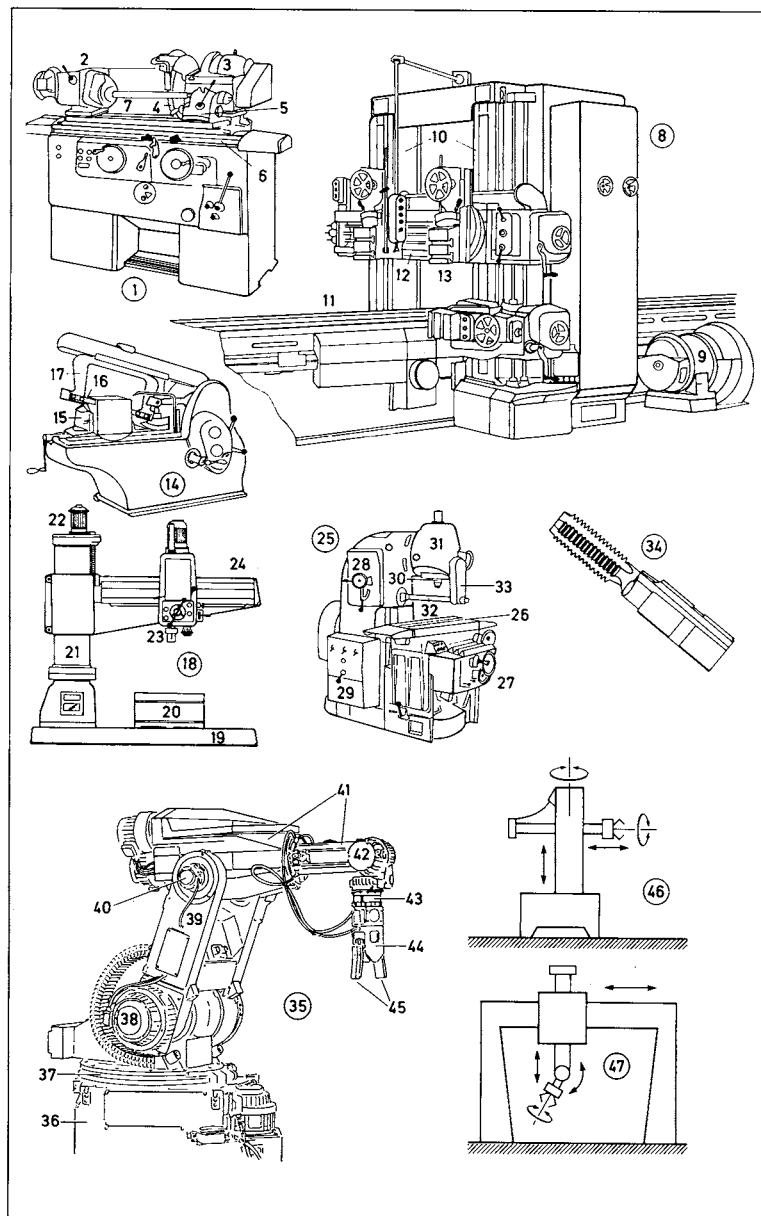
- 1 centre (*Am.* center) lathe
- 2 headstock with gear control (geared headstock)
- 3 reduction drive lever
- 4 lever for normal and coarse threads
- 5 speed change lever
- 6 leadscrew reverse-gear lever
- 7 change-gear box
- 8 feed gearbox (Norton tumbler gear)
- 9 levers for changing the feed and thread pitch
- 10 feed gear lever (tumbler lever)
- 11 switch lever for right or left hand action of main spindle
- 12 lathe foot (footpiece)
- 13 leadscrew handwheel for traversing of saddle (longitudinal movement of saddle)
- 14 tumbler reverse lever
- 15 feed screw
- 16 apron (saddle apron, carriage apron)
- 17 lever for longitudinal and transverse motion
- 18 drop (dropping) worm (feed trip, feed tripping device) for engaging feed mechanisms
- 19 lever for engaging half nut of lead-screw (lever for clasp nut engagement)
- 20 lathe spindle
- 21 tool post
- 22 top slide (tool slide, tool rest)
- 23 cross slide
- 24 bed slide
- 25 coolant supply pipe
- 26 tailstock centre (*Am.* center)
- 27 barrel (tailstock barrel)
- 28 tailstock barrel clamp lever
- 29 tailstock
- 30 tailstock barrel adjusting handwheel
- 31 lathe bed
- 32 leadscrew
- 33 feed shaft
- 34 reverse shaft for right and left hand motion and engaging and disengaging
- 35 four-jaw chuck (four-jaw independent chuck)
- 36 gripping jaw
- 37 three-jaw chuck (three-jaw self-centering, *Am.* self-centering, chuck)
- 38 turret lathe

- 39 cross slide
- 40 turret
- 41 combination toolholder (multiple turning head)
- 42 top slide
- 43 star wheel
- 44 coolant tray for collecting coolant and swarf
- 45-53 lathe tools
- 45 tool bit holder (clamp tip tool) for adjustable cutting tips
- 46 adjustable cutting tip (clamp tip) of cemented carbide or oxide ceramic shapes of adjustable oxide ceramic tips
- 47 lathe tool with cemented carbide cutting edge
- 48 tool shank
- 49 brazed cemented carbide cutting tip (cutting edge)
- 50 internal facing tool (boring tool) for corner work
- 51 general-purpose lathe tool
- 52 parting (parting-off) tool
- 53 lathe carrier
- 54 driving (driver) plate
- 56-72 measuring instruments
- 56 plug gauge (*Am.* gage)
- 57 'GO' gauging (*Am.* gaging) member (end)
- 58 'NOT GO' gauging (*Am.* gaging) member (end)
- 59 calliper (caliper, snap) gauge (*Am.* gage)
- 60 'GO' side
- 61 'NOT GO' side
- 62 micrometer
- 63 measuring scale
- 64 graduated thimble
- 65 frame
- 66 spindle (screwed spindle)
- 67 vernier calliper (caliper) gauge (*Am.* gage)
- 68 depth gauge (*Am.* gage) attachment rule
- 69 vernier scale
- 70 outside jaws
- 71 inside jaws
- 72 vernier depth gauge (*Am.* gage)



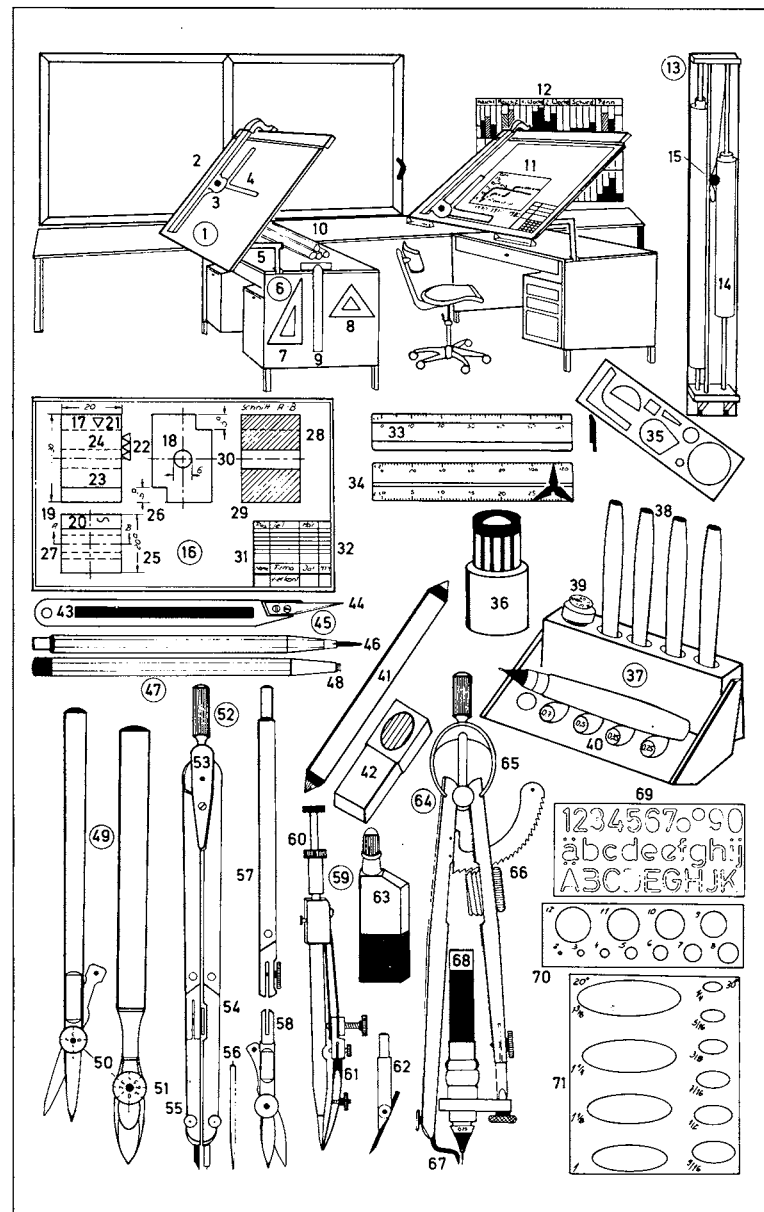
- 1 universal grinding machine
- 2 headstock
- 3 wheelhead slide
- 4 grinding wheel
- 5 tailstock
- 6 grinding machine bed
- 7 grinding machine table
- 8 two-column planing machine (two-column planer)
- 9 drive motor, a direct current motor
- 10 column
- 11 planer table
- 12 cross slide (rail)
- 13 tool box
- 14 hacksaw
- 15 clamping device
- 16 saw blade
- 17 saw frame
- 18 radial (radial-arm) drilling machine
- 19 bed (base plate)
- 20 block for workpiece
- 21 pillar
- 22 lifting motor
- 23 drill spindle
- 24 arm
- 25 universal milling machine
- 26 milling machine table
- 27 table feed drive
- 28 switch lever for spindle rotation speed
- 29 control box (control unit)
- 30 vertical milling spindle
- 31 vertical drive head
- 32 horizontal milling spindle
- 33 end support for steadying horizontal spindle
- 34 machine tap
- 35 articulated robot, an industrial robot
- 36 base plate
- 37 rotating column (base rotating axis)
- 38 shoulder joint
- 39 upper arm
- 40 elbow joint
- 41 tubular forearm

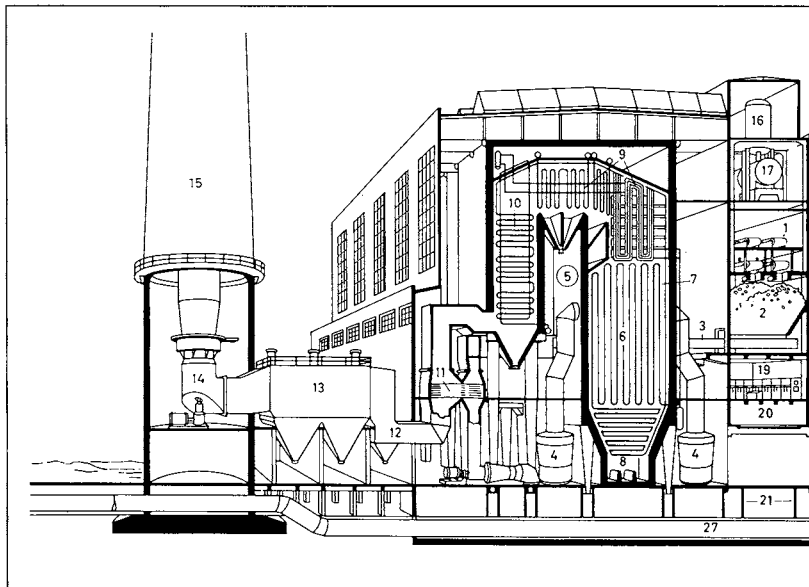
- 42 wrist joint
- 43 gripper mounting flange
- 44 gripper
- 45 fingers
- 46 upright robot (linear-axis robot, rectilinear robot)
- 47 portal robot (gantry robot)



- 1 drawing board
- 2 drafting machine with parallel motion
- 3 adjustable knob
- 4 drawing head (adjustable set square)
- 5 drawing board adjustment
- 6 drawing table
- 7 set square (triangle)
- 8 triangle
- 9 T-square (tee-square)
- 10 rolled drawing
- 11 diagram
- 12 time schedule
- 13 paper stand
- 14 roll of paper
- 15 cutter
- 16 technical drawing (drawing, design)
- 17 front view (front elevation)
- 18 side view (side elevation)
- 19 plan
- 20 surface not to be machined
- 21 surface to be machined
- 22 surface to be superfinished
- 23 visible edge
- 24 hidden edge
- 25 dimension line
- 26 arrow head
- 27 section line
- 28 section A-B
- 29 hatched surface
- 30 centre (*Am.* center) line
- 31 title panel (title block)
- 32 technical data
- 33 ruler (rule)
- 34 triangular scale
- 35 erasing shield
- 36 drawing ink cartridge
- 37 holders for tubular drawing pens
- 38 set of tubular drawing pens
- 39 hygrometer
- 40 cap with indication of nib size
- 41 pencil-type eraser
- 42 eraser
- 43 erasing knife
- 44 erasing knife blade

- 45 clutch-type pencil
- 46 pencil lead (refill lead, refill, spare lead)
- 47 glass eraser
- 48 glass fibres (*Am.* fibers)
- 49 ruling pen
- 50 cross joint
- 51 index plate
- 52 compass with interchangeable attachments
- 53 compass head
- 54 needle point attachment
- 55 pencil point attachment
- 56 needle
- 57 lengthening arm (extension bar)
- 58 ruling pen attachment
- 59 pump compass (drop compass)
- 60 piston
- 61 ruling pen attachment
- 62 pencil attachment
- 63 drawing ink container
- 64 spring bow (rapid adjustment, ratchet-type) compass
- 65 spring ring hinge
- 66 spring-loaded fine adjustment for arcs
- 67 right-angle needle
- 68 tubular ink unit
- 69 stencil lettering guide (lettering stencil)
- 70 circle template
- 71 ellipse template





1-28 steam-generating station, an electric power plant

1-21 boiler house

1 coal conveyor

2 coal bunker

3 travelling-grate (*Am.* traveling-grate) stoker

4 coal mill

5 steam boiler, a water-tube boiler (radiant-type boiler)

6 burners

7 water pipes

8 ash pit (clinker pit)

9 superheater

10 water preheater

11 air preheater

12 gas flue

13 electrostatic precipitator

14 induced-draught (*Am.* induced-draft) fan

15 chimney (smokestack)

16 de-aerator

17 feedwater tank

18 boiler feed pump

19 control room

20 cable tunnel

21 cable vault

22 turbine house

23 steam turbine with alternator

24 surface condenser

25 low-pressure preheater

26 high-pressure preheater (economizer)

27 cooling water pipe

28 control room

29-35 outdoor substation, a substation

29 busbars

30 power transformer, a mobile (transportable) transformer

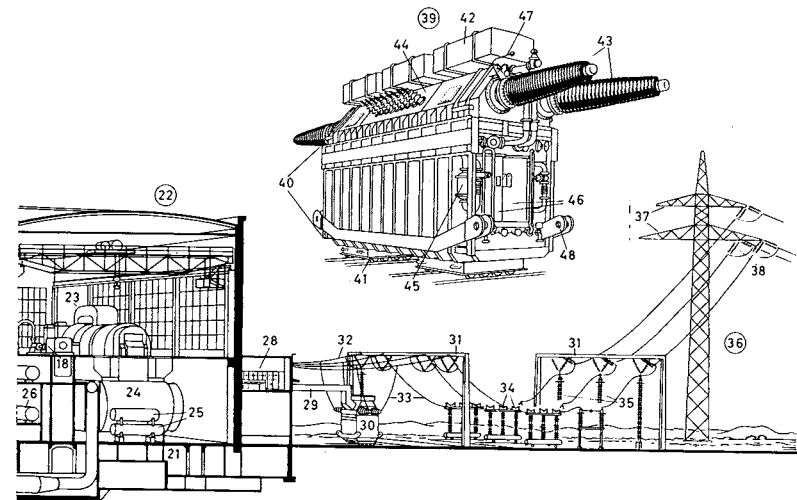
31 stay poles (guy poles)

32 high-voltage transmission line

33 high-voltage conductor

34 air-blast circuit breaker (circuit breaker)

35 surge diverter (*Am.* lightning arrester, arrester)



36 overhead line support, a lattice steel tower

37 cross arm (traverse)

38 strain insulator

39 **mobile (transportable) transformer** (power transformer, transformer)

40 transformer tank

41 bogie (*Am.* truck)

42 oil conservator

43 primary voltage terminal (primary voltage bushing)

44 low-voltage terminals (low-voltage bushings)

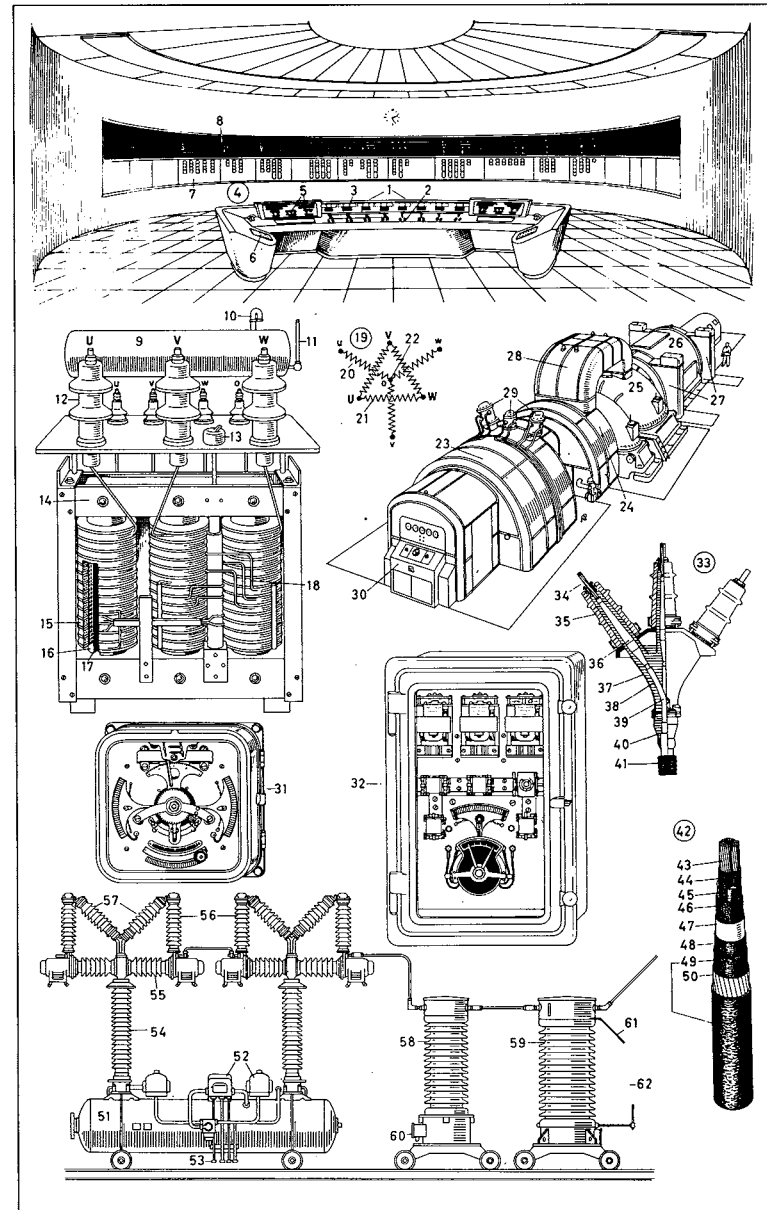
45 oil-circulating pump

46 oil cooler

47 arcing horn

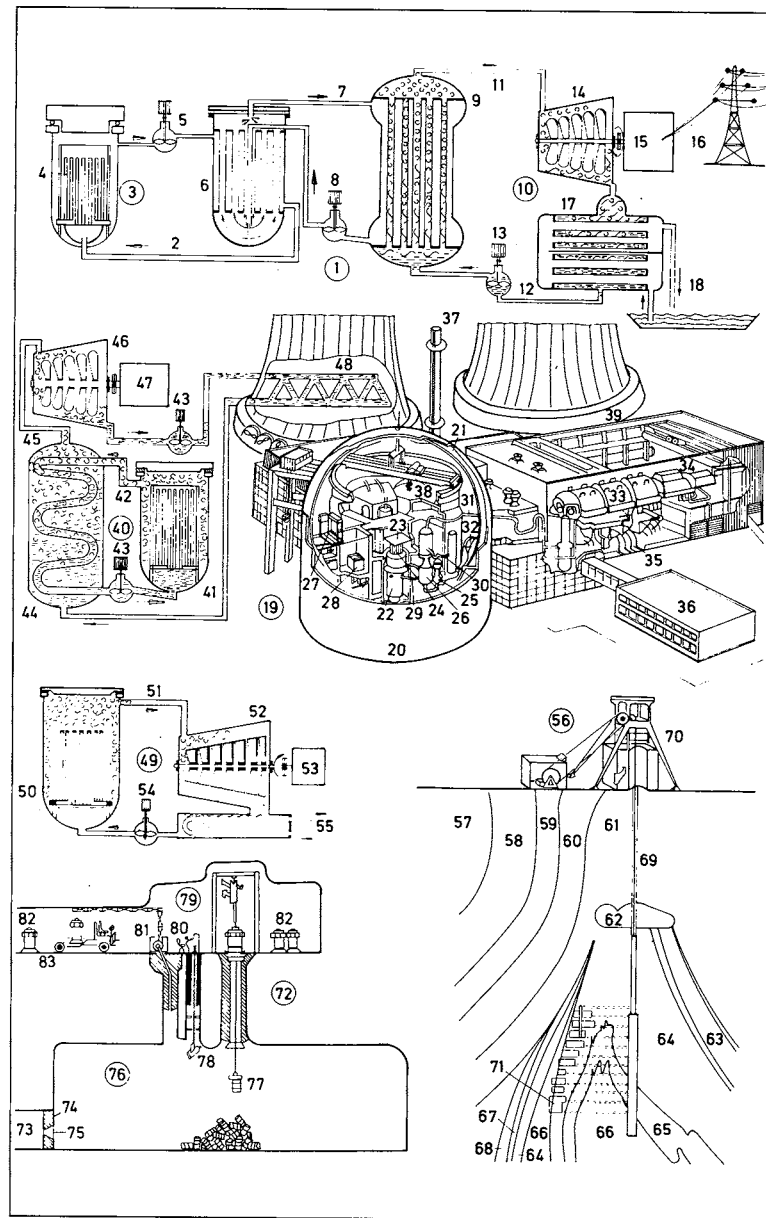
48 transport lug

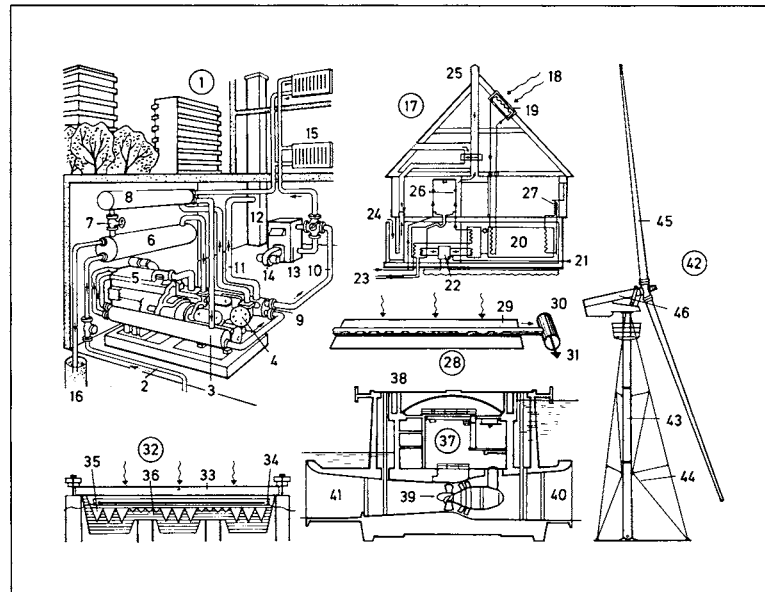
- 1-8 control room
 1-6 control console (control desk)
 1 control board (control panel) for the alternators
 2 master switch
 3 signal light
 4 feeder panel
 5 monitoring controls for the switching systems
 6 controls
 7 revertive signal panel
 8 matrix mimic board
 9-18 transformer
 9 oil conservator
 10 breather
 11 oil gauge (*Am. gage*)
 12 feed-through terminal (feed-through insulator)
 13 on-load tap changer
 14 yoke
 15 primary winding (primary)
 16 secondary winding (secondary, low-voltage winding)
 17 core
 18 tap (tapping)
 19 transformer connection
 20 star connection (star network, Y-connection)
 21 delta connection (mesh connection)
 22 neutral point
 23-30 steam turbine, a turbogenerator unit
 23 high-pressure cylinder
 24 medium-pressure cylinder
 25 low-pressure cylinder
 26 three-phase generator (generator)
 27 hydrogen cooler
 28 leakage steam path
 29 jet nozzle
 30 turbine monitoring panel with measuring instruments
 31 automatic voltage regulator
 32 synchro
 33 cable box
 34 conductor
 35 feed-through terminal (feed-through insulator)
 36 core
 37 casing
 38 filling compound (filler)
 39 lead sheath
 40 lead-in tube
 41 cable
 42 high voltage cable, for three-phase current
 43 conductor
 44 metallic paper (metallized paper)
 45 tracer (tracer element)
 46 varnished-cambric tape
 47 lead sheath
 48 asphalted paper
 49 jute serving
 50 steel tape or steel wire armour (*Am. armor*)
 51-62 air-blast circuit breaker, a circuit breaker
 51 compressed-air tank
 52 control valve (main operating valve)
 53 compressed-air inlet
 54 support insulator, a hollow porcelain supporting insulator
 55 interrupter
 56 resistor
 57 auxiliary contacts
 58 current transformer
 59 voltage transformer (potential transformer)
 60 operating mechanism housing
 61 arcing horn
 62 spark gap



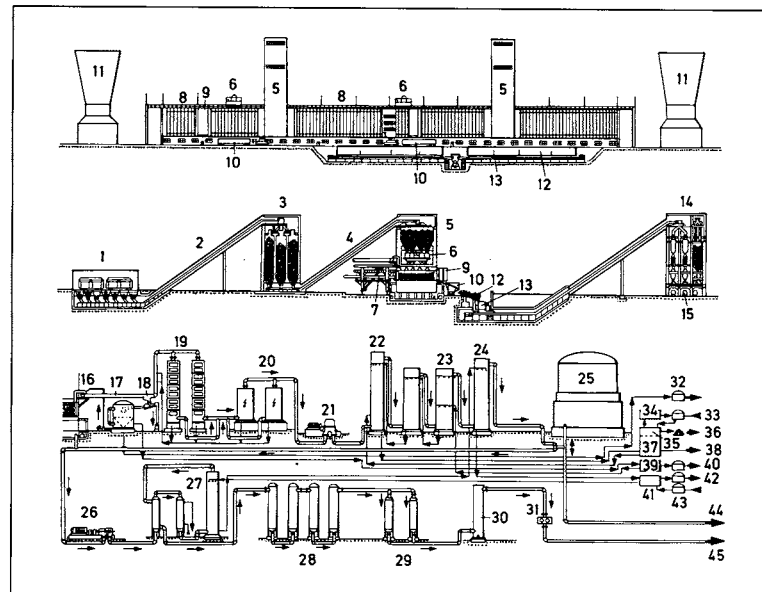
- 1 fast-breeder reactor (fast breeder) [diagram]
- 2 primary circuit (primary loop, primary sodium system)
- 3 reactor
- 4 fuel rods (fuel pins)
- 5 primary sodium pump
- 6 heat exchanger
- 7 secondary circuit (secondary loop, secondary sodium system)
- 8 secondary sodium pump
- 9 steam generator
- 10 cooling water flow circuit
- 11 steam line
- 12 feedwater line
- 13 feed pump
- 14 steam turbine
- 15 generator
- 16 transmission line
- 17 condenser
- 18 cooling water
- 19 nuclear reactor, a pressurized-water reactor (nuclear power plant, atomic power plant)
- 20 concrete shield (reactor building)
- 21 steel containment (steel shell) with air extraction vent
- 22 reactor pressure vessel
- 23 control rod drive
- 24 control rods
- 25 primary coolant pump
- 26 steam generator
- 27 fuel-handling hoists
- 28 fuel storage
- 29 coolant flow passage
- 30 feedwater line
- 31 prime steam line
- 32 manway
- 33 turbogenerator set
- 34 turbogenerator
- 35 condenser
- 36 service building
- 37 exhaust gas stack
- 38 polar crane
- 39 cooling tower, a dry cooling tower
- 40 pressurized-water system
- 41 reactor
- 42 primary circuit (primary loop)
- 43 circulation pump (recirculation pump)
- 44 heat exchanger (steam generator)

- 45 secondary circuit (secondary loop, feedwater steam circuit)
- 46 steam turbine
- 47 generator
- 48 cooling system
- 49 boiling water system [diagram]
- 50 reactor
- 51 steam and recirculation water flow paths
- 52 steam turbine
- 53 generator
- 54 circulation pump (recirculation pump)
- 55 coolant system (cooling with water from river)
- 56 radioactive waste storage in salt mine
- 57-68 geological structure of abandoned salt mine converted for disposal of radioactive waste (nuclear waste)
- 57 Lower Keuper
- 58 Upper Muschelkalk
- 59 Middle Muschelkalk
- 60 Lower Muschelkalk
- 61 Bunter downthrow
- 62 residue of leached (lixiviated) Zechstein (Upper Permian)
- 63 Aller rock salt
- 64 Leine rock salt
- 65 Stassfurt seam (potash salt seam, potash salt bed)
- 66 Stassfurt salt
- 67 grenzanhydrite
- 68 Zechstein shale
- 69 shaft
- 70 minehead buildings
- 71 storage chamber
- 72 storage of medium-active waste in salt mine
- 73 511 m level
- 74 protective screen (anti-radiation screen)
- 75 lead glass window
- 76 storage chamber
- 77 drum containing radioactive waste
- 78 television camera
- 79 charging chamber
- 80 control desk (control panel)
- 81 upward ventilator
- 82 shielded container
- 83 490 m level

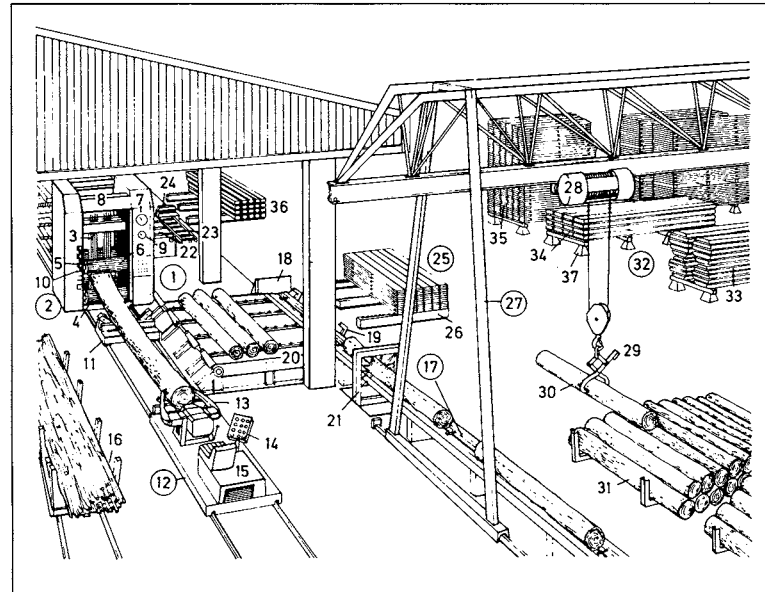




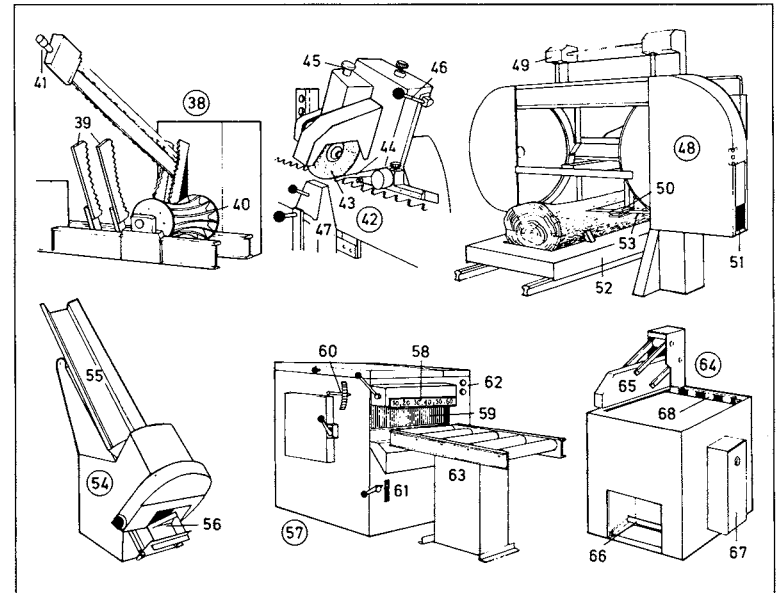
- | | |
|---|---|
| 1 heat pump system | 26 hot water supply |
| 2 source water inlet | 27 radiator heating |
| 3 cooling water heat exchanger | 28 flat plate solar collector |
| 4 compressor | 29 blackened receiver surface with asphalted aluminium (<i>Am.</i> aluminium) foil |
| 5 natural-gas or diesel engine | 30 steel tube |
| 6 evaporator | 31 heat transfer fluid |
| 7 pressure release valve | 32 flat plate solar collector, containing solar cell |
| 8 condenser | 33 glass cover |
| 9 waste-gas heat exchanger | 34 solar cell |
| 10 flow pipe | 35 air ducts |
| 11 vent pipe | 36 insulation |
| 12 chimney | 37 tidal power plant [section] |
| 13 boiler | 38 dam |
| 14 fan | 39 reversible turbine |
| 15 radiator | 40 turbine inlet for water from the sea |
| 16 sink | 41 turbine inlet for water from the basin |
| 17-36 utilization of solar energy | 42 wind power plant (wind generator aerogenerator) |
| 17 solar (solar-heated) house | 43 truss tower |
| 18 solar radiation (sunlight, insolation) collector | 44 guy wire |
| 20 hot reservoir (heat reservoir) | 45 rotor |
| 21 power supply | 46 generator with variable pitch for power regulation |
| 22 heat pump | |
| 23 water outlet | |
| 24 air supply | |
| 25 flue | |



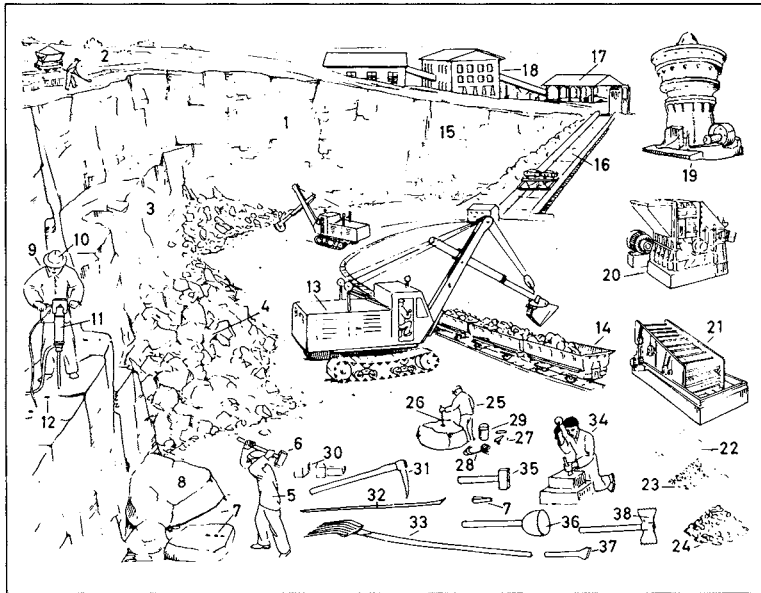
- | | |
|--|---|
| 1-15 coking plant | 24 benzene (benzol) scrubber |
| 1 dumping of coking coal | 25 gas holder |
| 2 belt conveyor | 26 gas compressor |
| 3 blending bunker | 27 debenzoling by cooler and heat exchanger |
| 4 service bunker conveyor | 28 desulphurization (<i>Am.</i> desulfurization) of pressure gas |
| 5 service bunker | 29 gas cooling |
| 6 larry car (larry, charging car) | 30 gas drying |
| 7 pusher ram | 31 gas meter |
| 8 battery of coke ovens | 32 crude tar tank |
| 9 coke guide | 33 sulphuric acid (<i>Am.</i> sulfuric acid) supply |
| 10 quenching car, with engine | 34 production of sulphuric acid (<i>Am.</i> sulfuric acid) |
| 11 quenching tower | 35 production of ammonium sulphate (<i>Am.</i> ammonium sulfate) |
| 12 coke loading bay (coke wharf) | 36 ammonium sulphate (<i>Am.</i> ammonium sulfate) |
| 13 coke wharf conveyor | 37 recovery plant for recovering the scrubbing agents |
| 14 screening of coke and breeze | 38 waste water discharge |
| 15 coke loading | 39 phenol extraction from the gas water |
| 16-45 coke-oven gas processing | 40 crude phenol tank |
| 16 discharge (release) of gas from the coke ovens | 41 production of crude benzol (crude benzene) |
| 17 gas-collecting main | 42 crude benzol (crude benzene) tank |
| 18 coal tar extraction | 43 scrubbing oil tank |
| 19 gas cooler | 44 low-pressure gas main |
| 20 electrostatic precipitator | 45 high-pressure gas main |
| 21 gas extractor | |
| 22 hydrogen sulphide (<i>Am.</i> hydrogen sulfide) scrubber (hydrogen sulphide wet collector) | |
| 23 ammonia scrubber (ammonia wet collector) | |



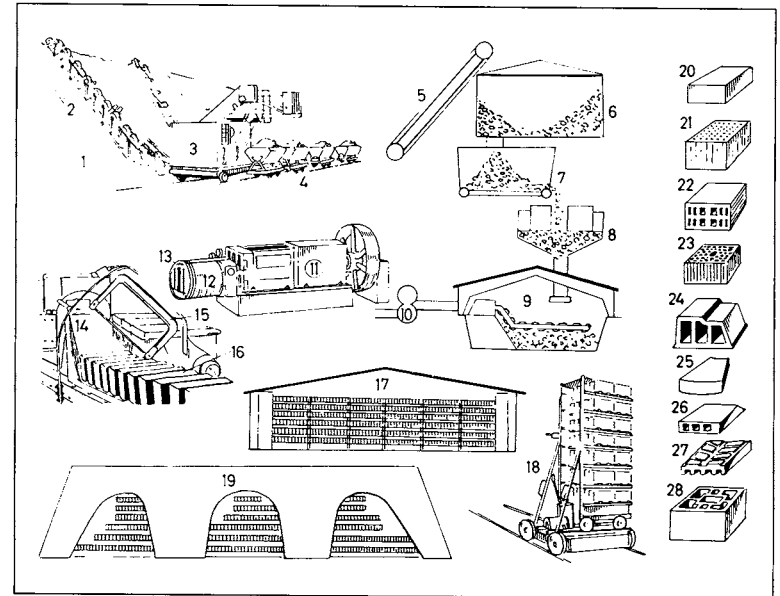
- | | |
|--|------------------------------------|
| 1 sawmill | 23 roller table |
| 2 vertical frame saw (<i>Am.</i> gang mill) | 24 undercut swing saw |
| 3 saw blades | 25 piling |
| 4 feed roller | 26 roller trestles |
| 5 guide roller | 27 gantry crane |
| 6 fluting (grooving, grooves) | 28 crane motor |
| 7 oil pressure gauge (<i>Am.</i> gage) | 29 pivoted log grips |
| 8 saw frame | 30 roundwood (round timber) |
| 9 feed indicator | 31 log dump |
| 10 log capacity scale | 32 squared timber store |
| 11 auxiliary carriage | 33 sawn logs |
| 12 carriage | 34 planks |
| 13 log grips | 35 boards (planks) |
| 14 remote control panel | 36 squared timber |
| 15 carriage motor | 37 stack bearer |
| 16 truck for splinters (splints) | |
| 17 endless log chain (<i>Am.</i> jack chain) | |
| 18 stop plate | |
| 19 log-kicker arms | |
| 20 cross conveyor | |
| 21 washer (washing machine) | |
| 22 cross chain conveyor for sawn timber | |



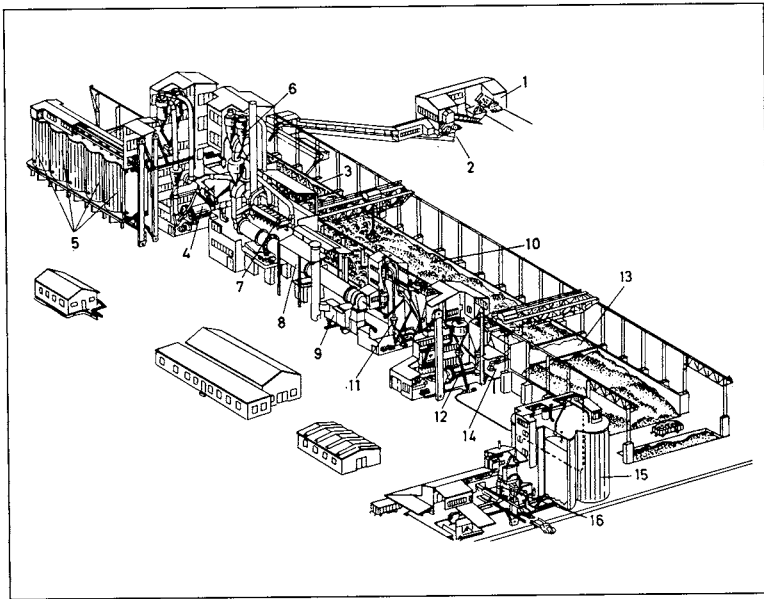
- | | |
|--|--|
| 38 automatic cross-cut chain saw | 60 height scale |
| 39 log grips | 61 in-feed scale |
| 40 feed roller | 62 indicator lamps |
| 41 chain-tensioning device | 63 feed table |
| 42 saw-sharpening machine | 64 undercut swing saw |
| 43 grinding wheel (teeth grinder) | 65 automatic hold-down with protective hood |
| 44 feed pawl | 66 foot switch |
| 45 depth adjustment for the teeth grinder | 67 distribution board (panelboard) |
| 46 lifter (lever) for the grinder chuck | 68 length stop |
| 47 holding device for the saw blade | |
| 48 horizontal bandsaw for sawing logs | |
| 49 height adjustment | |
| 50 chip remover | |
| 51 chip extractor | |
| 52 carriage | |
| 53 bandsaw blade | |
| 54 automatic blocking saw | |
| 55 feed channel | |
| 56 discharge opening | |
| 57 twin edger (double edger) | |
| 58 breadth scale (width scale) | |
| 59 kick-back guard (plates) | |



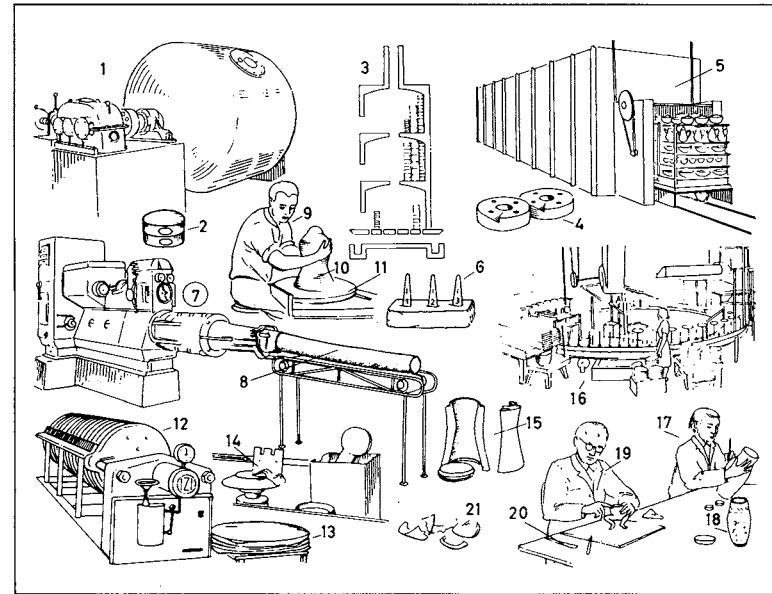
- | | |
|---|--|
| 1 quarry, an open-cast working | 22 screenings (fine dust) |
| 2 overburden | 23 stone chippings |
| 3 working face | 24 crushed stone |
| 4 loose rock pile (blasted rock) | 25 shot firer |
| 5 quarryman (quarrier), a quarry worker | 26 measuring rod |
| 6 sledge hammer | 27 blasting cartridge |
| 7 wedge | 28 fuse (blasting fuse) |
| 8 block of stone | 29 plugging sand (stemming sand) bucket |
| 9 driller | 30 dressed stone |
| 10 safety helmet | 31 pick |
| 11 hammer drill (hard-rock drill) | 32 crowbar (pinch bar) |
| 12 borehole | 33 fork |
| 13 universal excavator | 34 stonemason |
| 14 large-capacity truck | 35-38 stonemason's tools |
| 15 rock face | 35 stonemason's hammer |
| 16 inclined hoist | 36 mallet |
| 17 primary crusher | 37 drove chisel (drove, boaster, broad chisel) |
| 18 stone-crushing plant | 38 dressing axe (<i>Am.</i> ax) |
| 19 coarse rotary (gyratory) crusher; <i>sim.</i> : fine rotary (gyratory) crusher | |
| 20 hammer crusher (impact crusher) | |
| 21 vibrating screen | |



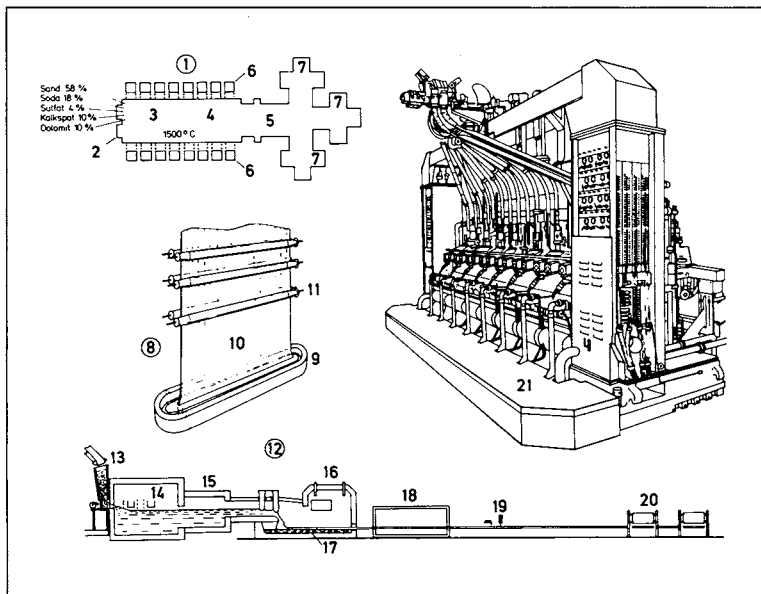
- | | |
|---|--|
| 1 clay pit | 19 circular kiln (brick kiln) |
| 2 loam, an impure clay (raw clay) | 20 solid brick (building brick) |
| 3 overburden excavator, a large-scale excavator | 21, 22 perforated bricks and hollow blocks |
| 4 narrow-gauge (<i>Am.</i> narrow-gage) track system | 21 perforated brick with vertical perforations |
| 5 inclined hoist | 22 hollow clay block with horizontal perforations |
| 6 souring chambers | 23 hollow clay block with vertical perforations |
| 7 box feeder (feeder) | 24 floor brick |
| 8 edge runner mill (edge mill, pan grinding mill) | 25 compass brick (radial brick, radiating brick) |
| 9 rolling plant | 26 hollow flooring block |
| 10 double-shaft trough mixer (mixer) | 27 paving brick |
| 11 extrusion press (brick-pressing machine) | 28 cellular brick [for fireplaces] (chimney brick) |
| 12 vacuum chamber | |
| 13 die | |
| 14 clay column | |
| 15 cutter (brick cutter) | |
| 16 unfired brick (green brick) | |
| 17 drying shed | |
| 18 mechanical finger car (stacker truck) | |



- 1 raw materials (limestone, clay and marl)
- 2 hammer crusher (hammer mill)
- 3 raw material store
- 4 raw mill for simultaneously grinding and drying the raw materials with exhaust gas from the heat exchanger
- 5 raw meal silos
- 6 heat exchanger (cyclone heat exchanger)
- 7 dust collector (an electrostatic precipitator) for the heat exchanger exhaust from the raw mill
- 8 rotary kiln
- 9 clinker cooler
- 10 clinker store
- 11 primary air blower
- 12 cement-grinding mill
- 13 gypsum store
- 14 gypsum crusher
- 15 cement silo
- 16 cement-packing plant



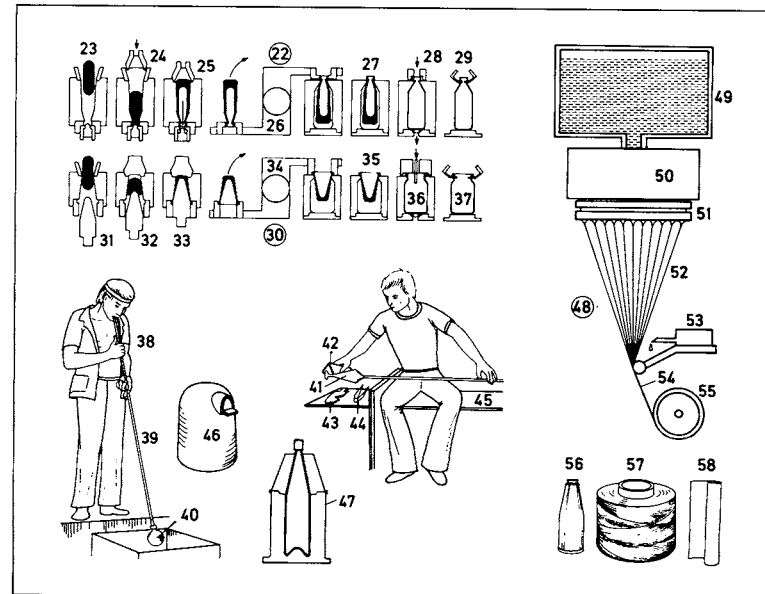
- 1 grinding cylinder (ball mill) for the preparation of the raw material in water
- 2 sample sagger (saggar, seggar), with aperture for observing the firing process
- 3 bottle kiln (beehive kiln) [diagram]
- 4 firing mould (*Am. mold*)
- 5 tunnel kiln
- 6 Seger cone (pyrometric cone, *Am. Orton cone*) for measuring high temperatures
- 7 de-airing pug mill (de-airing pug press), an extrusion press
- 8 clay column
- 9 thrower throwing a ball (bat) of clay
- 10 slug of clay
- 11 turntable; *sim.*: potter's wheel
- 12 filter press
- 13 filter cake
- 14 jiggering, with a profiling tool; *sim.*: jollying
- 15 plaster mould (*Am. mold*) for slip casting
- 16 turntable glazing machine
- 17 porcelain painter (*china painter*)
- 18 hand-painted vase
- 19 repairer
- 20 pallet (modelling, *Am. modeling, tool*)
- 21 shards (sherds, potsherds)



1-20 sheet glass production (flat glass production)

- 1 glass furnace (tank furnace) for the Fourcault process [diagram]
- 2 filling end, for feeding in the batch (frit)
- 3 melting bath
- 4 refining bath (fining bath)
- 5 working baths (working area)
- 6 burners
- 7 drawing machines
- 8 Fourcault glass-drawing machine
- 9 slot
- 10 glass ribbon (ribbon of glass, sheet of glass) being drawn upwards
- 11 rollers (drawing rolls)
- 12 float glass process
- 13 batch (frit) feeder (funnel)
- 14 melting bath
- 15 cooling tank
- 16 float bath in a protective inert-gas atmosphere

- 17 molten tin
- 18 annealing lehr
- 19 automatic cutter
- 20 stacking machines
- 21 IS (individual-section) machine, a bottle-making machine
- 22-37 blowing processes**
- 22 blow-and-blow process
- 23 introduction of the gob of molten glass
- 24 first blowing
- 25 suction
- 26 transfer from the parison mould (Am. mold) to the blow mould (Am. mold)
- 27 reheating
- 28 blowing (suction, final shaping)
- 29 delivery of the completed vessel
- 30 press-and-blow process
- 31 introduction of the gob of molten glass
- 32 plunger



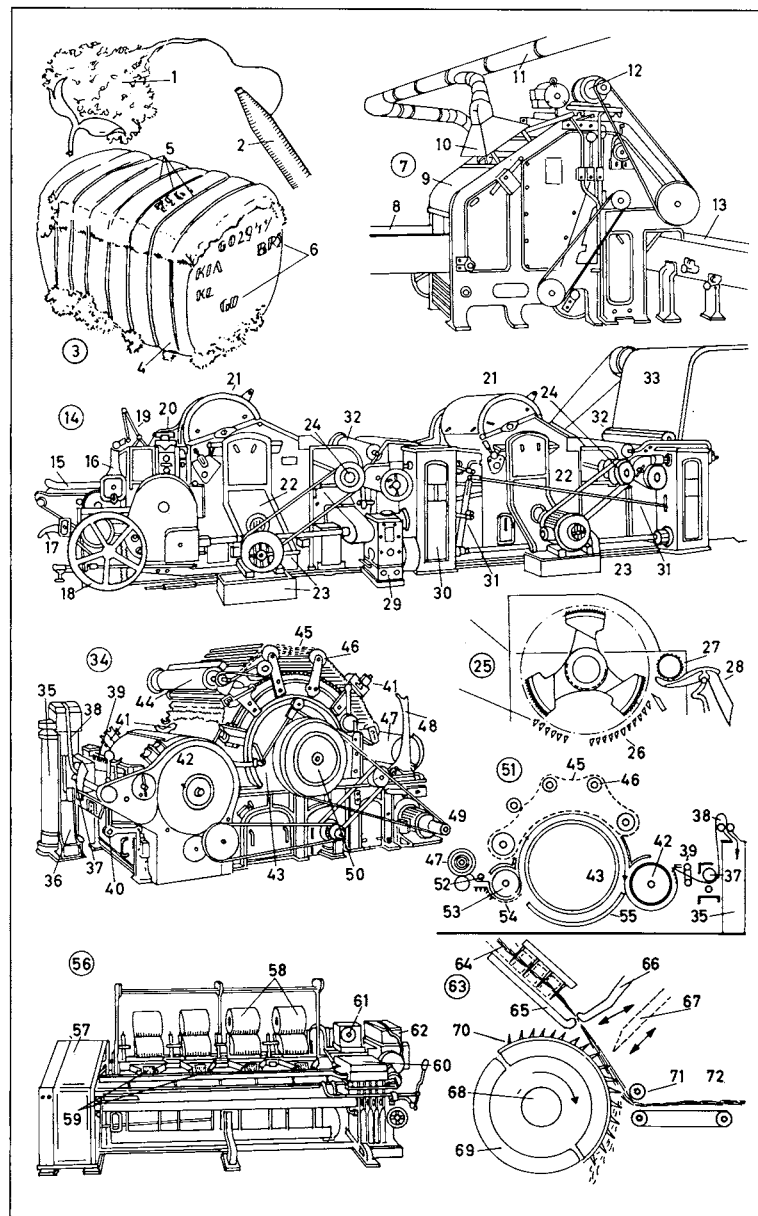
- 33 pressing
- 34 transfer from the press mould (Am. mold) to the blow mould (Am. mold)
- 35 reheating
- 36 blowing (suction, final shaping)
- 37 delivery of the completed vessel
- 38-47 glassmaking (glassblowing, glassblowing by hand, glass forming)**
- 38 glassmaker (glassblower)
- 39 blowing iron
- 40 gob
- 41 hand-blown goblet
- 42 clappers for shaping the base (foot) of the goblet
- 43 trimming tool
- 44 tongs
- 45 glassmaker's chair (gaffer's chair)
- 46 covered glasshouse pot
- 47 mould (Am. mold), into which the parison is blown

- 48-55 production of glass fibre (Am. glass fiber)**
- 48 continuous filament process
- 49 glass furnace
- 50 bushing containing molten glass
- 51 bushing tips
- 52 glass filaments
- 53 sizing
- 54 strand (thread)
- 55 spool
- 56-58 glass fibre (Am. glass fiber) products**
- 56 glass yarn (glass thread)
- 57 sleeved glass yarn (glass thread)
- 58 glass wool

1-13 supply of cotton

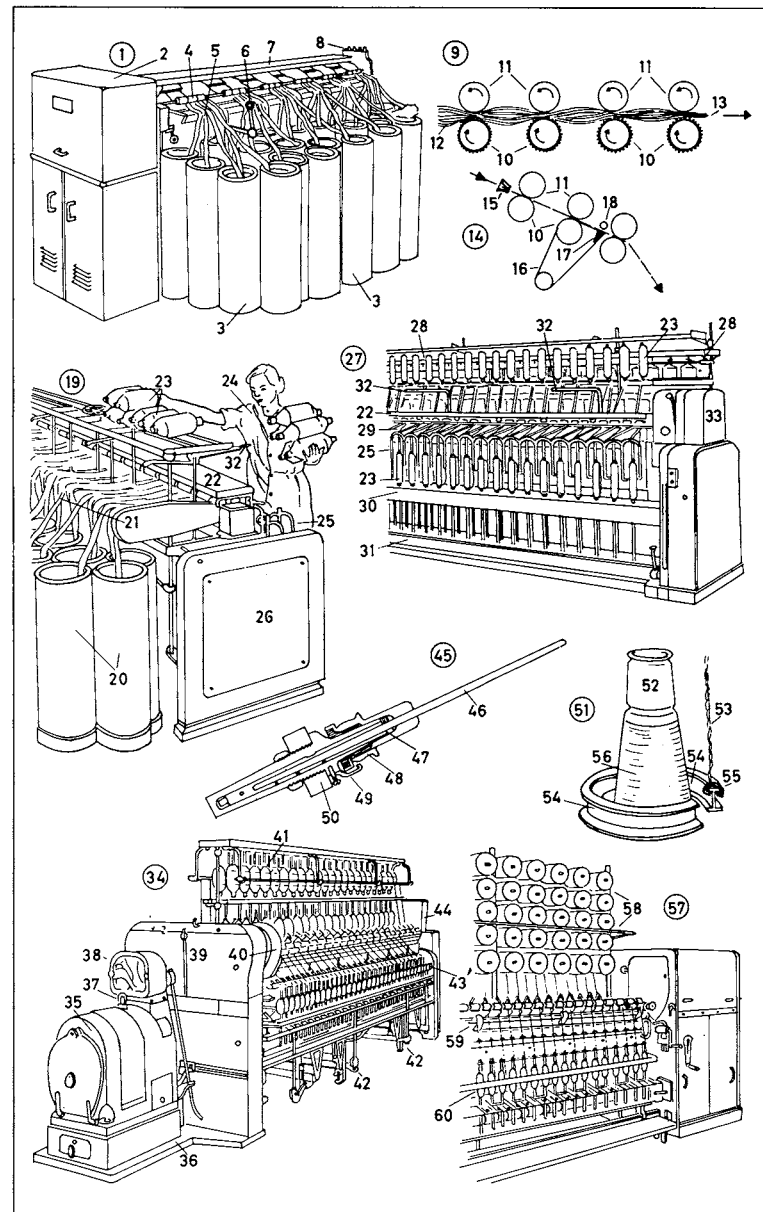
- 1 ripe cotton boll
- 2 full cop (cop wound with weft yarn)
- 3 compressed cotton bale
- 4 jute wrapping
- 5 steel band
- 6 identification mark of the bale
- 7 bale opener (bale breaker)
- 8 cotton-feeding brattice
- 9 cotton feed
- 10 dust extraction fan
- 11 duct to the dust-collecting chamber
- 12 drive motor
- 13 conveyor brattice
- 14 **double scutcher** (machine with two scutchers)
- 15 lap cradle
- 16 rack head
- 17 starting handle
- 18 handwheel, for raising and lowering the rack head
- 19 movable lap-turner
- 20 calender rollers
- 21 cover for the perforated cylinders
- 22 dust escape flue (dust discharge flue)
- 23 drive motors (beater drive motors)
- 24 beater driving shaft
- 25 three-blade beater (Kirschner beater)
- 26 grid [for impurities to drop]
- 27 pedal roller (pedal cylinder)
- 28 control lever for the pedal roller, a pedal lever
- 29 variable change-speed gear
- 30 cone drum box
- 31 stop and start levers for the hopper
- 32 wooden hopper delivery roller
- 33 hopper feeder
- 34 **carding machine** (card, carding engine)
- 35 card can (carding can), for receiving the coiled sliver
- 36 can holder
- 37 calender rollers
- 38 carded sliver (card sliver)

- 39 vibrating doffer comb
- 40 start-stop lever
- 41 grinding-roller bearing
- 42 doffer
- 43 cylinder
- 44 flat clearer
- 45 flats
- 46 supporting pulleys for the flats
- 47 scutcher lap (carded lap)
- 48 scutcher lap holder
- 49 drive motor with flat belt
- 50 main drive pulley (fast-and-loose drive pulley)
- 51 principle of the card (of the carding engine)
- 52 fluted feed roller
- 53 licker-in (taker-in, licker-in roller)
- 54 licker-in undercasing
- 55 cylinder undercasing
- 56 **combing machine** (comber)
- 57 drive gearbox (driving gear)
- 58 laps ready for combing
- 59 calender rollers
- 60 comber draw box
- 61 counter
- 62 coiler top
- 63 principle of the comber
- 64 lap
- 65 bottom nipper
- 66 top nipper
- 67 top comb
- 68 combing cylinder
- 69 plain part of the cylinder
- 70 needled part of the cylinder
- 71 detaching rollers
- 72 carded and combed sliver



- 1 draw frame
- 2 gearbox with built-in motor
- 3 sliver cans
- 4 broken thread detector roller
- 5 doubling of the slivers
- 6 stopping handle
- 7 draw frame cover
- 8 indicator lamps (signal lights)
- 9 simple four-roller draw frame [diagram]
- 10 bottom rollers (lower rollers), fluted steel rollers
- 11 top rollers (upper rollers) covered with synthetic rubber
- 12 doubled slivers before drafting
- 13 thin sliver after drafting
- 14 high-draft system (high-draft draw frame) [diagram]
- 15 feeding-in of the sliver
- 16 leather apron (composition apron)
- 17 guide bar
- 18 light top roller (guide roller)
- 19 high-draft speed frame (fly frame, slubbing frame)
- 20 sliver cans
- 21 feeding of the slivers to the drafting rollers
- 22 drafting rollers with top clearers
- 23 roving bobbins
- 24 fly frame operator (operative)
- 25 flyer
- 26 frame end plate
- 27 intermediate yarn-forming frame
- 28 bobbin creel (creel)
- 29 roving emerging from the drafting rollers
- 30 lifter rail (separating rail)
- 31 spindle drive
- 32 stopping handle
- 33 gearbox, with built-on motor
- 34 ring frame (ring spinning frame)
- 35 three-phase motor
- 36 motor base plate (bedplate)
- 37 lifting bolt [for motor removal]
- 38 control gear for spindle speed
- 39 gearbox

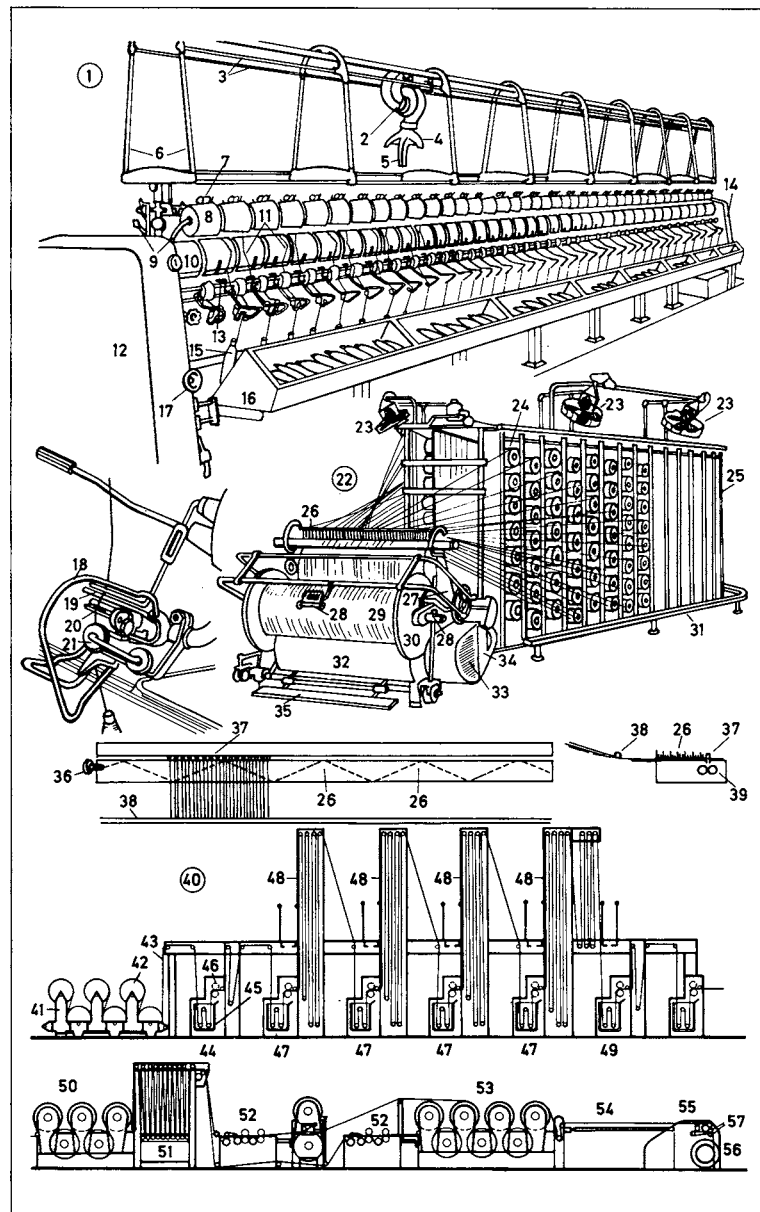
- 40 change wheels for varying the spindle speed [to change the yarn count]
- 41 full creel
- 42 shafts and levers for raising and lowering the ring rail
- 43 spindles with separators
- 44 suction box connected to the front roller underclearers
- 45 standard ring spindle
- 46 spindle shaft
- 47 roller bearing
- 48 wharve (pulley)
- 49 spindle catch
- 50 spindle rail
- 51 ring and traveller (*Am. traveler*)
- 52 top of the ring tube (of the bobbin)
- 53 yarn (thread)
- 54 ring fitted into the ring rail
- 55 traveller (*Am. traveler*)
- 56 yarn wound onto the bobbin
- 57 doubling frame
- 58 creel, with cross-wound cheeses
- 59 delivery rollers
- 60 bobbins of doubled yarn



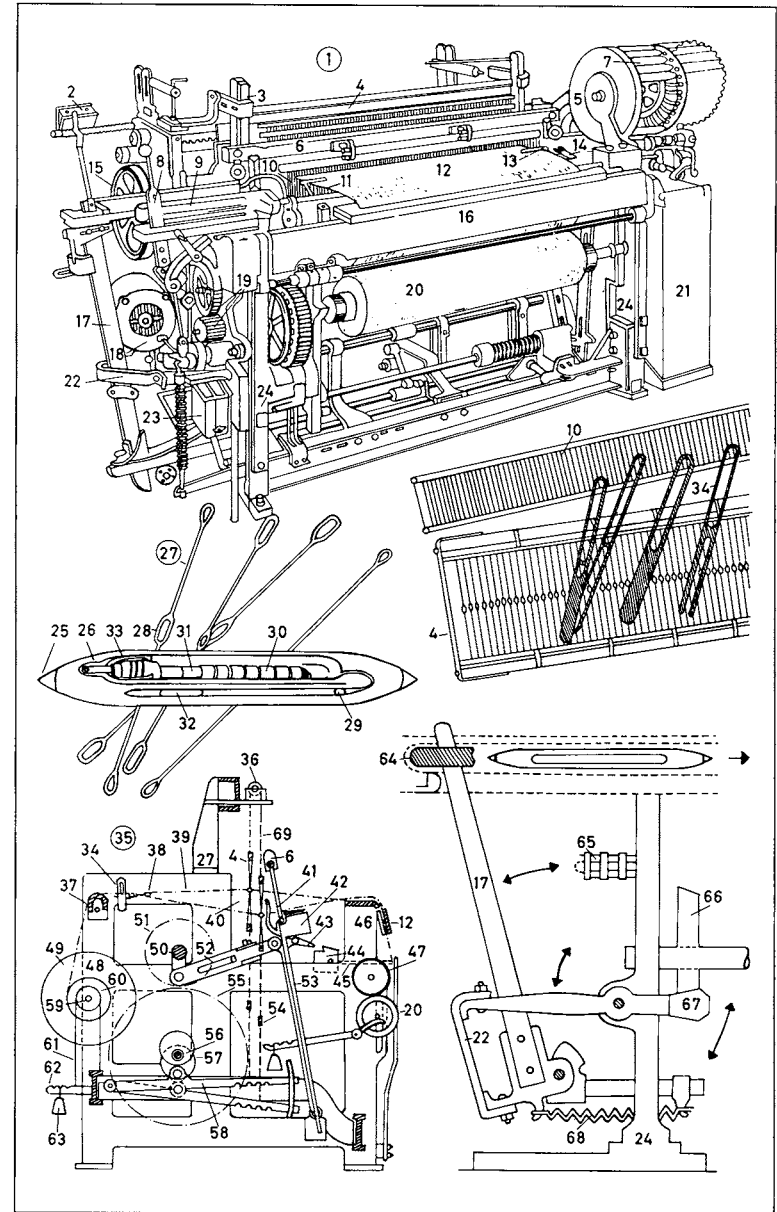
1-57 processes preparatory to weaving

- 1 cone-winding frame
- 2 travelling (*Am.* traveling) blower
- 3 guide rail, for the travelling (*Am.* traveling) blower
- 4 blowing assembly
- 5 blower aperture
- 6 superstructure for the blower rail
- 7 full-cone indicator
- 8 cross-wound cone
- 9 cone creel
- 10 grooved cylinder
- 11 guiding slot for cross-winding the threads
- 12 side frame, housing the motor
- 13 tension and slub-catching device
- 14 off-end framing with filter
- 15 yarn package, a ring tube or mule cop
- 16 yarn package container
- 17 starting and stopping lever
- 18 self-threading guide
- 19 broken thread stop motion
- 20 thread clearer
- 21 weighting disc (disk) for tensioning the thread
- 22 warping machine
- 23 fan
- 24 cross-wound cone
- 25 creel
- 26 adjustable comb
- 27 warping machine frame
- 28 yarn length recorder
- 29 warp beam
- 30 beam flange
- 31 guard rail
- 32 driving drum (driving cylinder)
- 33 belt drive
- 34 motor
- 35 release for starting the driving drum
- 36 screw for adjusting the comb setting
- 37 drop pins, for stopping the machine when a thread breaks
- 38 guide bar
- 39 drop pin rollers

- 40 indigo dyeing and sizing machine
- 41 take-off stand
- 42 warp beam
- 43 warp
- 44 wetting trough
- 45 immersion roller
- 46 squeeze roller (mangle)
- 47 dye liquor padding trough
- 48 air oxidation passage
- 49 washing trough
- 50 drying cylinders for pre-drying
- 51 tension compensator (tension equalizer)
- 52 sizing machine
- 53 drying cylinders
- 54 *for cotton: stenter; for wool: tenter*
- 55 beaming machine
- 56 sized warp beam
- 57 rollers



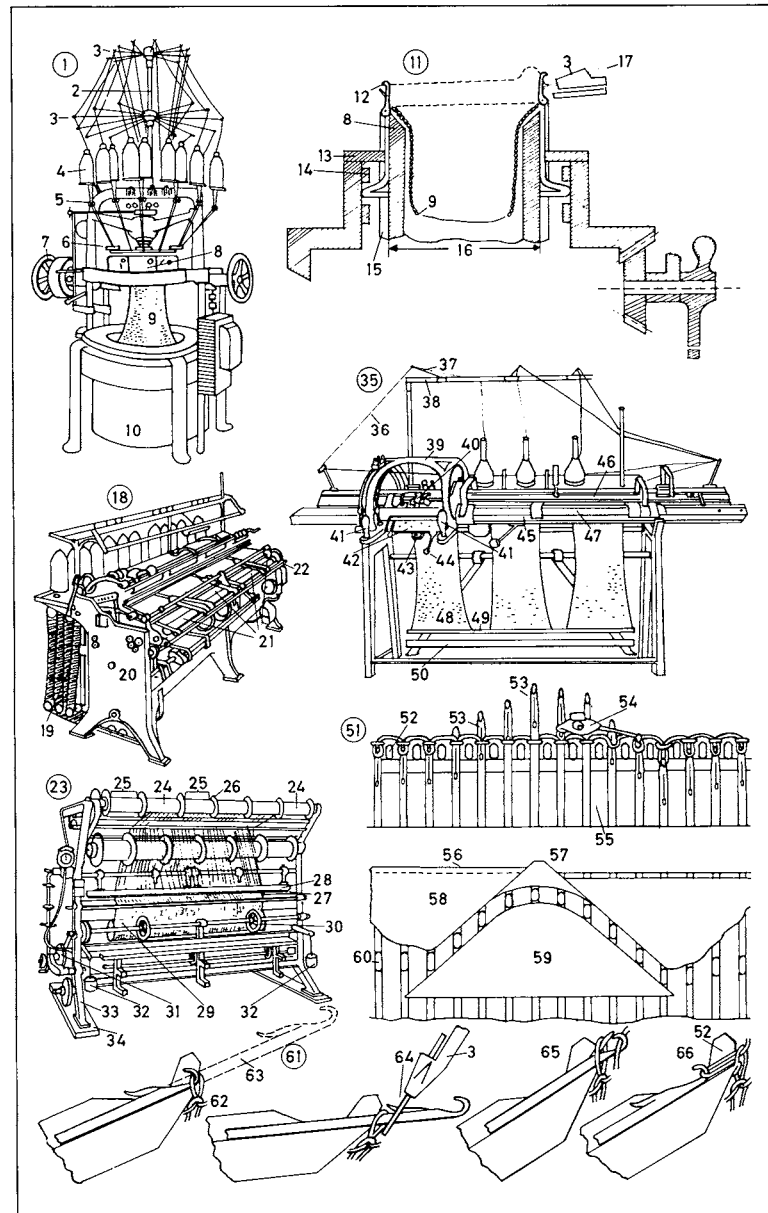
- | | |
|--|--|
| 1 weaving machine (automatic loom) | 41 sley (slay) |
| 2 pick counter (tachometer) | 42 race board |
| 3 shaft (heald shaft, heald frame) guide | 43 stop rod blade for the stop motion |
| 4 shafts (heald shafts, heald frames) | 44 bumper steel |
| 5 rotary battery for weft replenishment | 45 bumper steel stop rod |
| 6 sley (slay) cap | 46 breast beam |
| 7 weft pin | 47 cloth take-up roller |
| 8 starting and stopping handle | 48 warp beam |
| 9 shuttle box, with shuttles | 49 beam flange |
| 10 reed | 50 crankshaft |
| 11 selvage (selvage) | 51 crankshaft wheel |
| 12 cloth (woven fabric) | 52 connector |
| 13 temple (cloth temple) | 53 sley (slay) |
| 14 electric weft feeler | 54 lam rods |
| 15 flywheel | 55 camshaft wheel |
| 16 breast beam board | 56 camshaft (tappet shaft) |
| 17 picking stick (pick stick) | 57 tappet (shedding tappet) |
| 18 electric motor | 58 treadle lever |
| 19 cloth take-up motion | 59 let-off motion |
| 20 cloth roller (fabric roller) | 60 beam motion control |
| 21 can for empty pirns | 61 rope of the warp let-off motion |
| 22 lug strap, for moving the picking stick | 62 let-off weight lever |
| 23 fuse box | 63 control weight [for the treadle] |
| 24 loom framing | 64 picker with leather or bakelite pad |
| 25 metal shuttle tip | 65 picking stick buffer |
| 26 shuttle | 66 picking cam |
| 27 heald (heddle, wire heald, wire heddle) | 67 picking bowl |
| 28 eye (eyelet, heald eyelet, heddle eyelet) | 68 picking stick return spring |
| 29 eye (shuttle eye) | |
| 30 pirn | |
| 31 metal contact sleeve for the weft feeler | |
| 32 slot for the feeler | |
| 33 spring-clip pirn holder | |
| 34 drop wire | |
| 35 weaving machine (automatic loom) [side elevation] | |
| 36 heald shaft guiding wheels | |
| 37 backrest | |
| 38 lease rods | |
| 39 warp (warp thread) | |
| 40 shed | |



1-66 hosiery mill

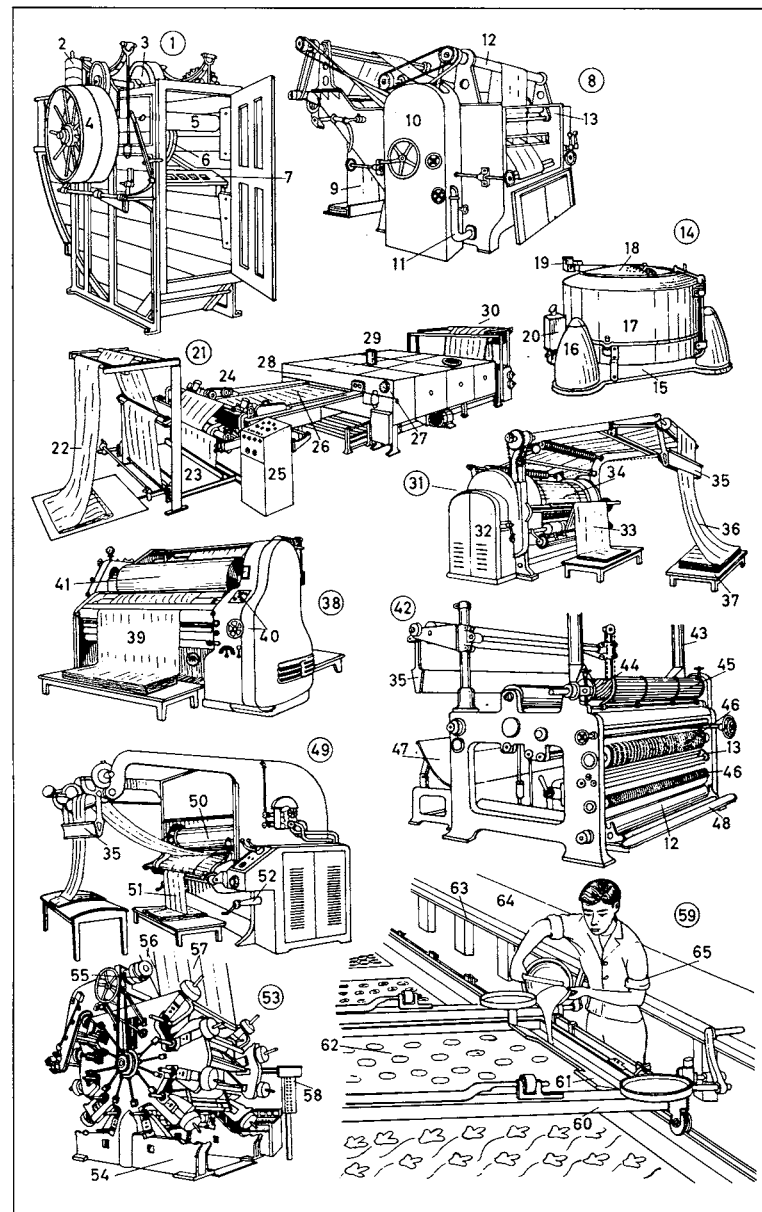
- 1 circular knitting machine for the manufacture of tubular fabric
- 2 yarn guide support post (thread guide support post)
- 3 yarn guide (thread guide)
- 4 bottle bobbin
- 5 yarn-tensioning device
- 6 yarn feeder
- 7 handwheel for rotating the machine by hand
- 8 needle cylinder (cylindrical needle holder)
- 9 tubular fabric
- 10 fabric drum (fabric box, fabric container)
- 11 needle cylinder (cylindrical needle holder) [section]
- 12 latch needles arranged in a circle
- 13 cam housing
- 14 needle cams
- 15 needle trick
- 16 cylinder diameter (*also*: diameter of tubular fabric)
- 17 thread (yarn)
- 18 Cotton's patent flat knitting machine for ladies' fully-fashioned hose
- 19 pattern control chain
- 20 side frame
- 21 knitting head
- 22 starting rod
- 23 Raschel warp-knitting machine
- 24 warp (warp beam)
- 25 yarn-distributing (yarn-dividing) beam
- 26 beam flange
- 27 row of needles
- 28 needle bar
- 29 fabric (Raschel fabric) [curtain lace and net fabrics] on the fabric roll
- 30 handwheel
- 31 motor drive gear
- 32 take-down weight
- 33 frame
- 34 base plate

- 35 hand flat (flat-bed) knitting machine
- 36 thread (yarn)
- 37 return spring
- 38 support for springs
- 39 carriage
- 40 feeder-selecting device
- 41 carriage handles
- 42 scale for regulating size of stitches
- 43 course counter (tachometer)
- 44 machine control lever
- 45 carriage rail
- 46 back row of needles
- 47 front row of needles
- 48 knitted fabric
- 49 tension bar
- 50 tension weight
- 51 needle bed showing knitting action
- 52 teeth of knock-over bit
- 53 needles in parallel rows
- 54 yarn guide (thread guide)
- 55 needle bed
- 56 retaining plate for latch needles
- 57 guard cam
- 58 sinker
- 59 needle-raising cam
- 60 needle butt
- 61 latch needle
- 62 loop
- 63 pushing the needle through the fabric
- 64 yarn guide (thread guide) placing yarn in the needle hook
- 65 loop formation
- 66 casting off of loop



1-65 finishing

- 1 rotary milling (fulling) machine for felting the woollen (*Am.* woollen) fabric
 2 pressure weights
 3 top milling roller (top fulling roller)
 4 drive wheel of bottom milling roller (bottom fulling roller)
 5 fabric guide roller
 6 bottom milling roller (bottom fulling roller)
 7 draft board
 8 open-width scouring machine for finer fabrics
 9 fabric being drawn off the machine
 10 drive gearbox
 11 water inlet pipe
 12 drawing-in roller
 13 scroll-opening roller
 14 pendulum-type hydro-extractor (centrifuge), for extracting liquors from the fabric
 15 machine base
 16 casing over suspension
 17 outer casing containing rotating cage (rotating basket)
 18 hydro-extractor (centrifuge) lid
 19 stop-motion device (stopping device)
 20 automatic starting and braking device
 21 *for cotton*: stenter; *for wool*: tenter
 22 air-dry fabric
 23 operator's (operative's) platform
 24 feeding of fabric by guides onto stenter (tenter) pins or clips
 25 electric control panel
 26 initial overfeed to produce shrink-resistant fabric when dried
 27 thermometer
 28 drying section
 29 air outlet
 30 plaiter (fabric-plaiting device)
 31 wire-roller fabric-raising machine for producing raised or nap surface
 32 drive gearbox
 33 unraised cloth
 34 wire-covered rollers
 35 plaiter (cuttling device)
 36 raised fabric
 37 plaiting-down platform
 38 rotary press (calendering machine), for press finishing
 39 fabric
 40 control buttons and control wheels
 41 heated press bowl
 42 rotary cloth-shearing machine
 43 suction slot, for removing loose fibres (*Am.* fibers)
 44 doctor blade (cutting cylinder)
 45 protective guard
 46 rotating brush
 47 curved scray entry
 48 treadle control
 49 [non-shrinking] decatizing (decatizing) fabric-finishing machine
 50 perforated decatizing (decatizing) cylinder
 51 piece of fabric
 52 cranked control handle
 53 ten-colour (*Am.* ten-color) roller printing machine
 54 base of the machine
 55 drive motor
 56 blanket [of rubber or felt]
 57 fabric after printing (printed fabric)
 58 electric control panel (control unit)
 59 screen printing
 60 mobile screen frame
 61 squeegee
 62 pattern stencil
 63 screen table
 64 fabric gummed down on table ready for printing
 65 screen printing operator (operative)



1-34 manufacture of **continuous filament and staple fibre** (Am. fiber) **viscose rayon yarns** by means of the viscose process

1-12 from raw material to viscose rayon

1 basic material [beech and spruce cellulose in form of sheets]
 2 mixing cellulose sheets
 3 caustic soda

4 steeping cellulose sheets in caustic soda
 5 pressing out excess caustic soda
 6 shredding the cellulose sheets

7 maturing (controlled oxidation) of the alkali-cellulose crumbs
 8 carbon disulphide (Am. carbon disulfide)

9 conversion of alkali-cellulose into cellulose xanthate
 10 dissolving the xanthate in caustic soda for the preparation of the viscose spinning solution

11 vacuum ripening tanks
 12 filter presses

13-27 from viscose to viscose rayon thread

13 metering pump
 14 multi-holed spinneret (spinning jet)

15 coagulating (spinning) bath for converting (coagulating) viscose (viscous solution) into solid filaments

16 Godet wheel, a glass pulley
 17 Topham centrifugal pot (box) for twisting the filaments into yarn

18 viscose rayon cake
 19-27 processing of the cake

19 washing
 20 desulphurizing (desulphurization, Am. desulfurizing, desulfurization)

21 bleaching
 22 treating of cake to give filaments softness and suppleness

23 hydro-extraction to remove surplus moisture

24 drying in heated room

25 winding yarn from cake into cone form

26 cone-winding machine

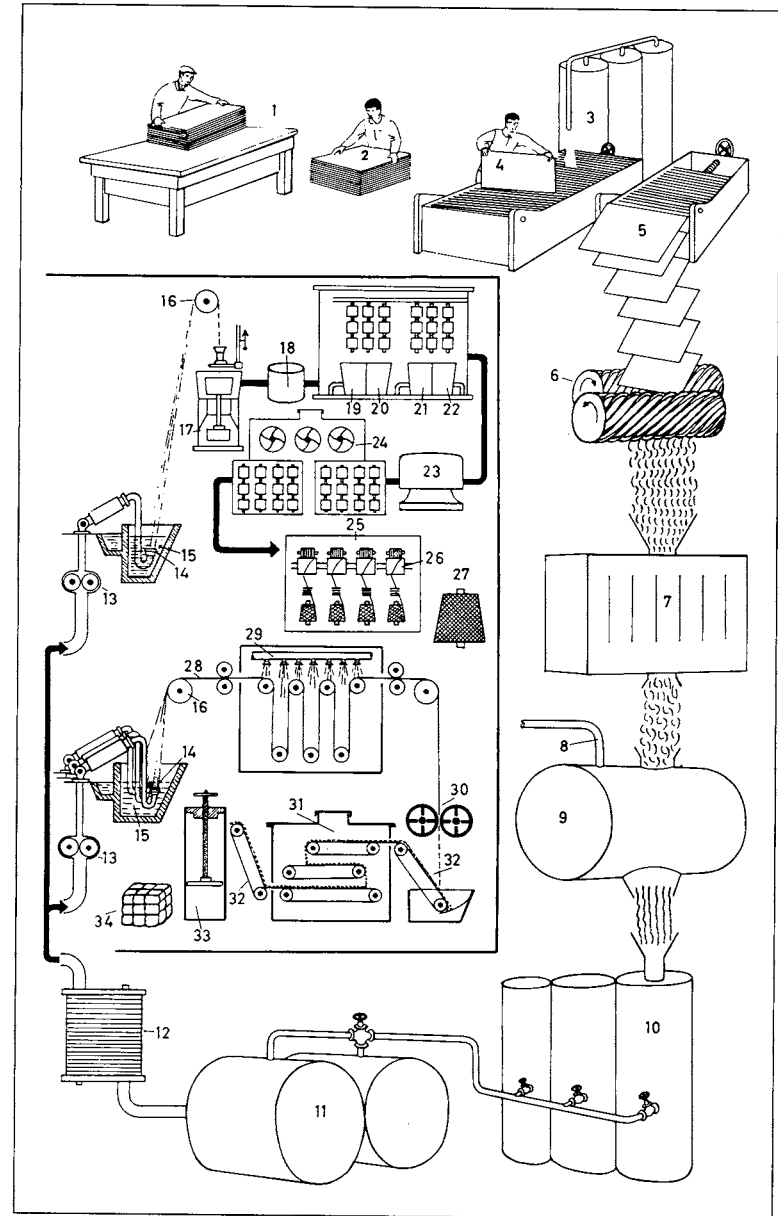
27 viscose rayon yarn on cone ready for use

28-34 from viscose spinning solution to viscose rayon staple fibre (Am. fiber)

28 filament tow
 29 overhead spray washing plant

30 cutting machine for cutting filament tow to desired length
 31 multiple drying machine for cut-up staple fibre (Am. fiber) layer (lap)

32 conveyor belt (conveyor)
 33 baling press
 34 bale of viscose rayon ready for dispatch (despatch)

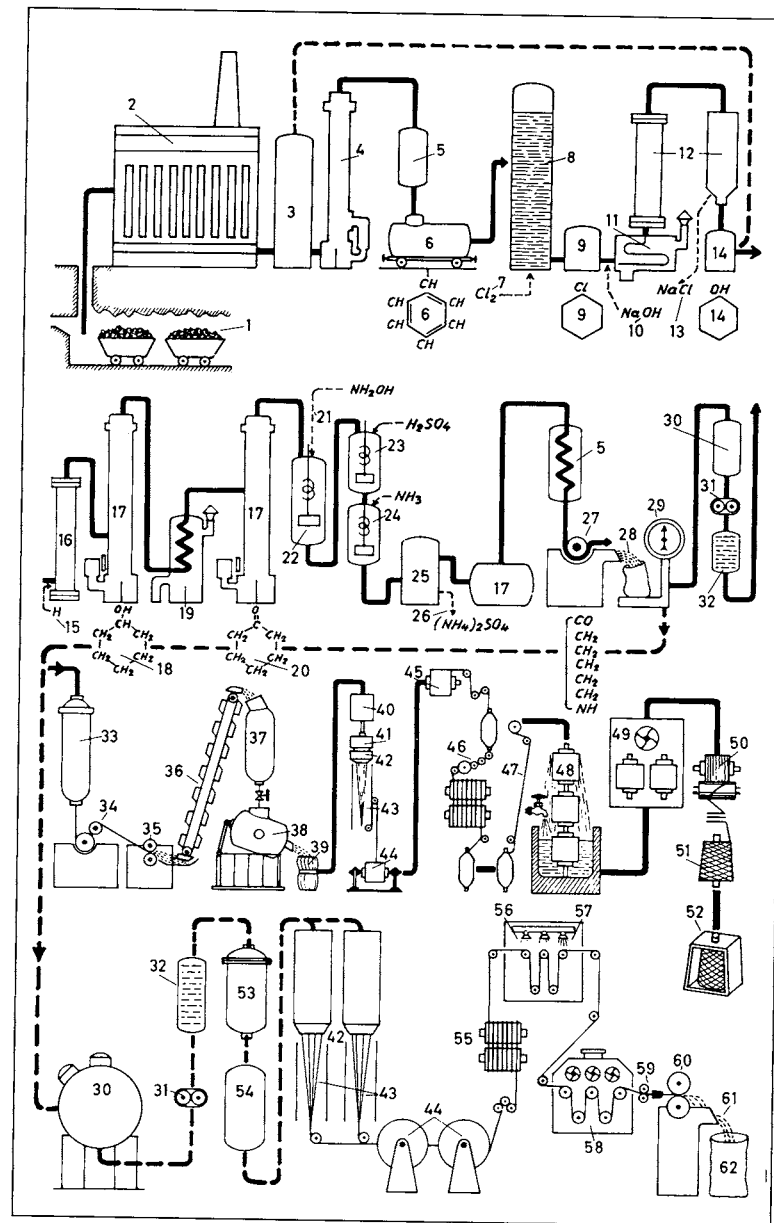


1-62 manufacture of polyamide

(nylon 6, perlon) fibres (Am. fibers)

- 1 coal [raw material for manufacture of polyamide (nylon 6, perlon) fibres (Am. fibers)]
- 2 coking plant for dry coal distillation
- 3 extraction of coal tar and phenol
- 4 gradual distillation of tar
- 5 condenser
- 6 benzene extraction and dispatch (despatch)
- 7 chlorine
- 8 benzene chlorination
- 9 monochlorobenzene (chlorobenzene)
- 10 caustic soda solution
- 11 evaporation of chlorobenzene and caustic soda
- 12 autoclave
- 13 sodium chloride (common salt), a by-product
- 14 phenol (carbolic acid)
- 15 hydrogen inlet
- 16 hydrogenation of phenol to produce raw cyclohexanol
- 17 distillation
- 18 pure cyclohexanol
- 19 oxidation (dehydrogenation)
- 20 formation of cyclohexanone (pimehinketone)
- 21 hydroxylamine inlet
- 22 formation of cyclohexanoxime
- 23 addition of sulphuric acid (Am. sulfuric acid) to effect molecular rearrangement
- 24 ammonia to neutralize sulphuric acid (Am. sulfuric acid)
- 25 formation of caprolactam oil
- 26 ammonium sulphate (Am. ammonium sulfate) solution
- 27 cooling cylinder
- 28 caprolactam
- 29 weighing apparatus
- 30 melting pot
- 31 pump

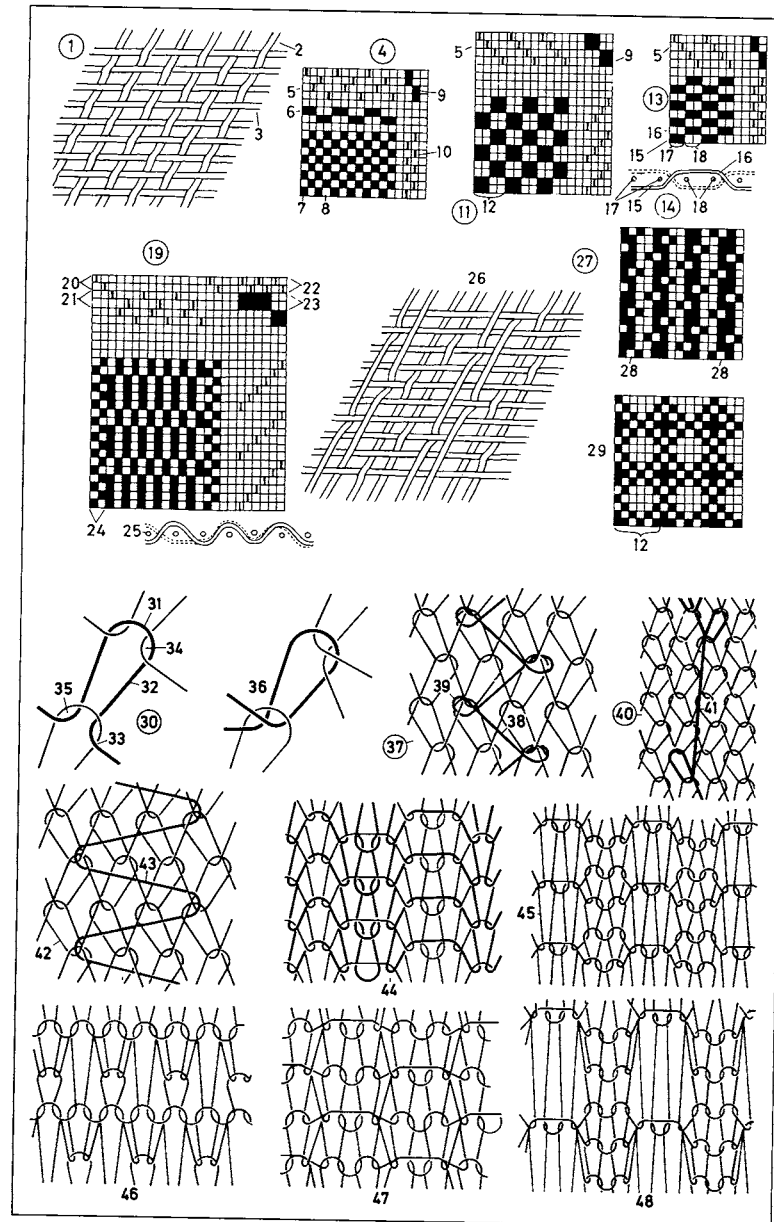
- 32 filter
- 33 polymerization in the autoclave
- 34 cooling of the polyamide
- 35 solidification of the polyamide
- 36 vertical lift (Am. elevator)
- 37 extractor for separating the polyamide from the remaining lactam oil
- 38 drier
- 39 dry polyamide chips
- 40 chip container
- 41 top of spinneret for melting the polyamide and forcing it through spinneret holes (spinning jets)
- 42 spinneret holes (spinning jets)
- 43 solidification of polyamide filaments in the cooling tower
- 44 collection of extruded filaments into thread form
- 45 preliminary stretching (preliminary drawing)
- 46 stretching (cold-drawing) of the polyamide thread to achieve high tensile strength
- 47 final stretching (final drawing)
- 48 washing of yarn packages
- 49 drying chamber
- 50 rewinding
- 51 polyamide cone
- 52 polyamide cone ready for dispatch (despatch)
- 53 mixer
- 54 polymerization under vacua
- 55 stretching (drawing)
- 56 washing
- 57 finishing of tow for spinning
- 58 drying of tow
- 59 crimping of tow
- 60 cutting of tow into normal staple lengths
- 61 polyamide staple
- 62 bale of polyamide staple



1-29 weaves [black squares: warp thread raised, weft thread lowered; white squares: weft thread raised, warp thread lowered]

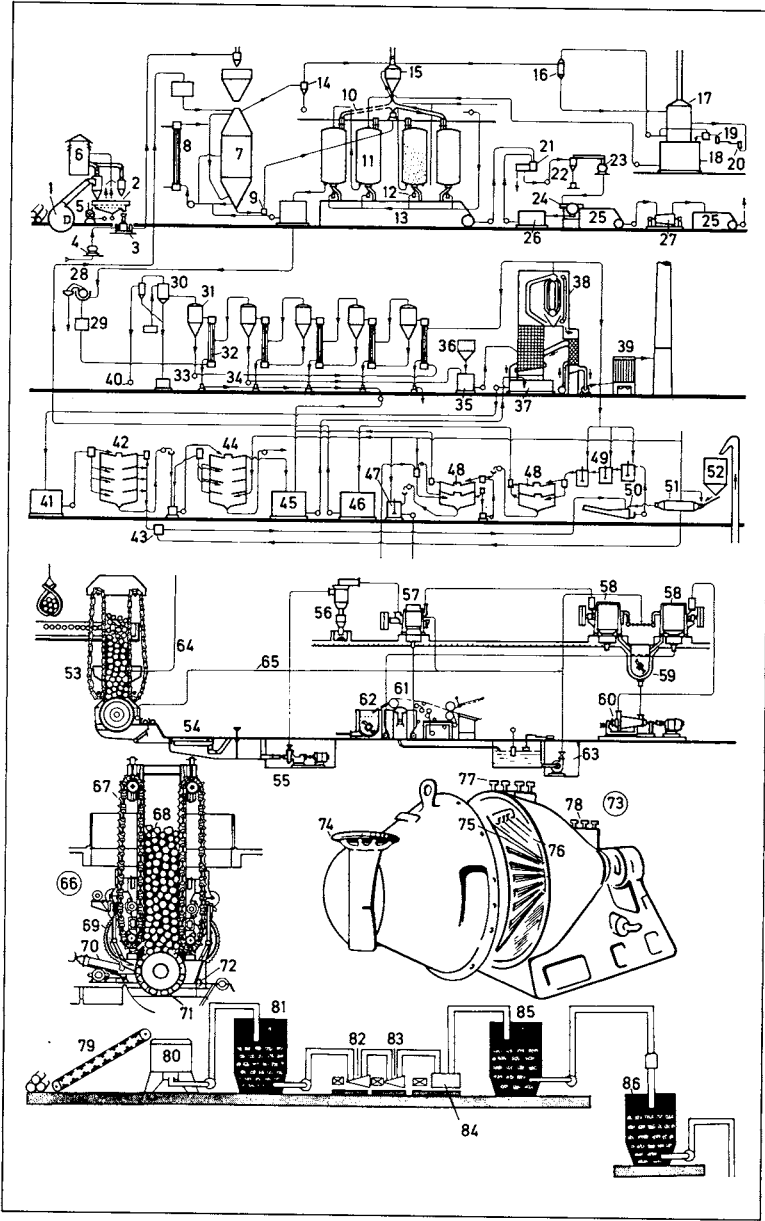
- 1 plain weave (tabby weave) [weave viewed from above]
- 2 warp thread
- 3 weft thread
- 4 draft (point paper design) for plain weave
- 5 threading draft
- 6 denting draft (reed-threading draft)
- 7 raised warp thread
- 8 lowered warp thread
- 9 tie-up of shafts in pairs
- 10 treadling diagram
- 11 draft for basket weave (hopsack weave, matt weave)
- 12 pattern repeat
- 13 draft for warp rib weave
- 14 section of warp rib fabric, a section through the warp
- 15 lowered weft thread
- 16 raised weft thread
- 17 first and second warp threads [raised]
- 18 third and fourth warp threads [lowered]
- 19 draft for combined rib weave
- 20 selvage (selvage) thread draft (additional shafts for the selvage)
- 21 draft for the fabric shafts
- 22 tie-up of selvage (selvage) shafts
- 23 tie-up of fabric shafts
- 24 selvage (selvage) in plain weave
- 25 section through combination rib weave
- 26 thread interlacing of reversible warp-faced cord
- 27 draft (point paper design) for reversible warp-faced cord
- 28 interlacing points
- 29 weaving draft for honeycomb weave in the fabric

- 31 head
- 32 side
- 33 neck
- 34 head interlocking point
- 35 neck interlocking point
- 36 closed loop
- 37 mesh [with inlaid yarn]
- 38 diagonal floating yarn (diagonal floating thread)
- 39 loop interlocking at the head
- 40 float
- 41 loose floating yarn (loose floating thread)
- 42 course
- 43 inlaid yarn
- 44 tuck and miss stitch
- 45 pulled-up tuck stitch
- 46 staggered tuck stitch
- 47 2 x 2 tuck and miss stitch
- 48 double pulled-up tuck stitch



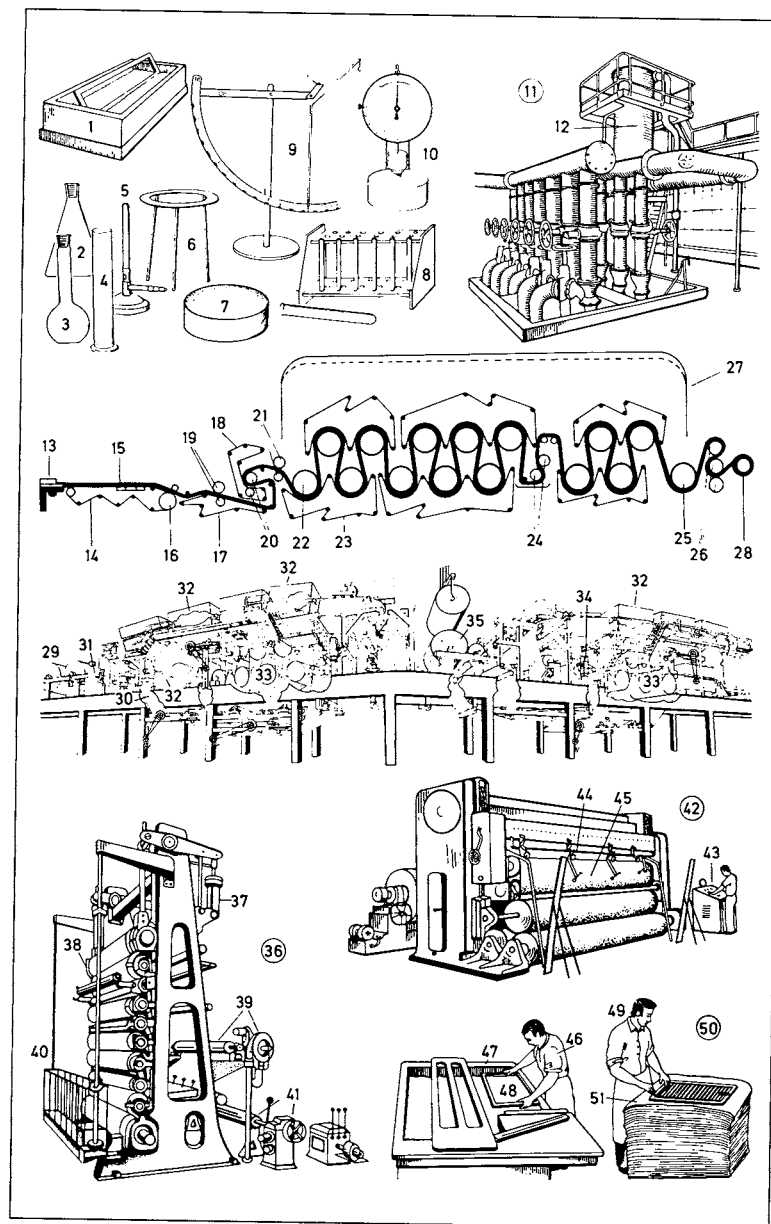
- 1-52 sulphate (*Am.* sulfate) pulp mill (kraft pulp mill) [in diagram form]
- 1 chippers with dust extractor
- 2 rotary screen (riffler)
- 3 chip packer (chip distributor)
- 4 blower
- 5 disintegrator (crusher, chip crusher)
- 6 dust-settling chamber
- 7 digester
- 8 liquor preheater
- 9 control tap
- 10 swing pipe
- 11 blow tank (diffuser)
- 12 blow valve
- 13 blow pit (diffuser)
- 14 turpentine separator
- 15 centralized separator
- 16 jet condenser (injection condenser)
- 17 storage tank for condensate
- 18 hot water tank
- 19 heat exchanger
- 20 filter
- 21 presorter
- 22 centrifugal screen
- 23 rotary sorter (rotary strainer)
- 24 concentrator (thickener, decker)
- 25 vat (chest)
- 26 collecting tank for backwater (low box)
- 27 conical refiner (cone refiner, Jordan, Jordan refiner)
- 28 black liquor filter
- 29 black liquor storage tank
- 30 condenser
- 31 separators
- 32 heaters (heating elements)
- 33 liquor pump
- 34 heavy liquor pump
- 35 mixing tank
- 36 salt cake storage tank (sodium sulphate storage tank)
- 37 dissolving tank (dissolver)
- 38 steam heater
- 39 electrostatic precipitator
- 40 air pump
- 41 storage tank for the uncleared green liquor
- 42 concentrator (thickener, decker)
- 43 green liquor preheater
- 44 concentrator (thickener, decker) for the weak wash liquor (wash water)
- 45 storage tank for the weak liquor
- 46 storage tank for the cooking liquor
- 47 agitator (stirrer)
- 48 concentrator (thickener, decker)
- 49 causticizing agitators (causticizing stirrers)

- 50 classifier
- 51 lime slaker
- 52 reconverted lime
- 53-65 groundwood mill (mechanical pulp mill) [diagram]
- 53 continuous grinder (continuous chain grinder)
- 54 strainer (knotter)
- 55 pulp water pump
- 56 centrifugal screen
- 57 screen (sorter)
- 58 secondary screen (secondary sorter)
- 59 rejects chest
- 60 conical refiner (cone refiner, Jordan, Jordan refiner)
- 61 pulp-drying machine (pulp machine)
- 62 concentrator (thickener, decker)
- 63 waste water pump (white water pump, pulp water pump)
- 64 steam pipe
- 65 water pipe
- 66 continuous grinder (continuous chain grinder)
- 67 feed chain
- 68 groundwood
- 69 reduction gear for the feed chain drive
- 70 stone-dressing device
- 71 grinding stone (grindstone, pulpstone)
- 72 spray pipe
- 73 conical refiner (cone refiner, Jordan, Jordan refiner)
- 74 handwheel for adjusting the clearance between the knives (blades)
- 75 rotating bladed cone (rotating bladed plug)
- 76 stationary bladed shell
- 77 inlet for unrefined cellulose (chemical wood pulp, chemical pulp) or groundwood pulp (mechanical pulp)
- 78 outlet for refined cellulose (chemical wood pulp, chemical pulp) or groundwood pulp (mechanical pulp)
- 79-86 stuff (stock) preparation plant [diagram]
- 79 conveyor belt (conveyor) for loading cellulose (chemical wood pulp, chemical pulp) or groundwood pulp (mechanical pulp)
- 80 pulper
- 81 dump chest
- 82 cone breaker
- 83 conical refiner (cone refiner, Jordan, Jordan refiner)
- 84 refiner
- 85 stuff chest (stock chest)
- 86 machine chest (stuff chest)



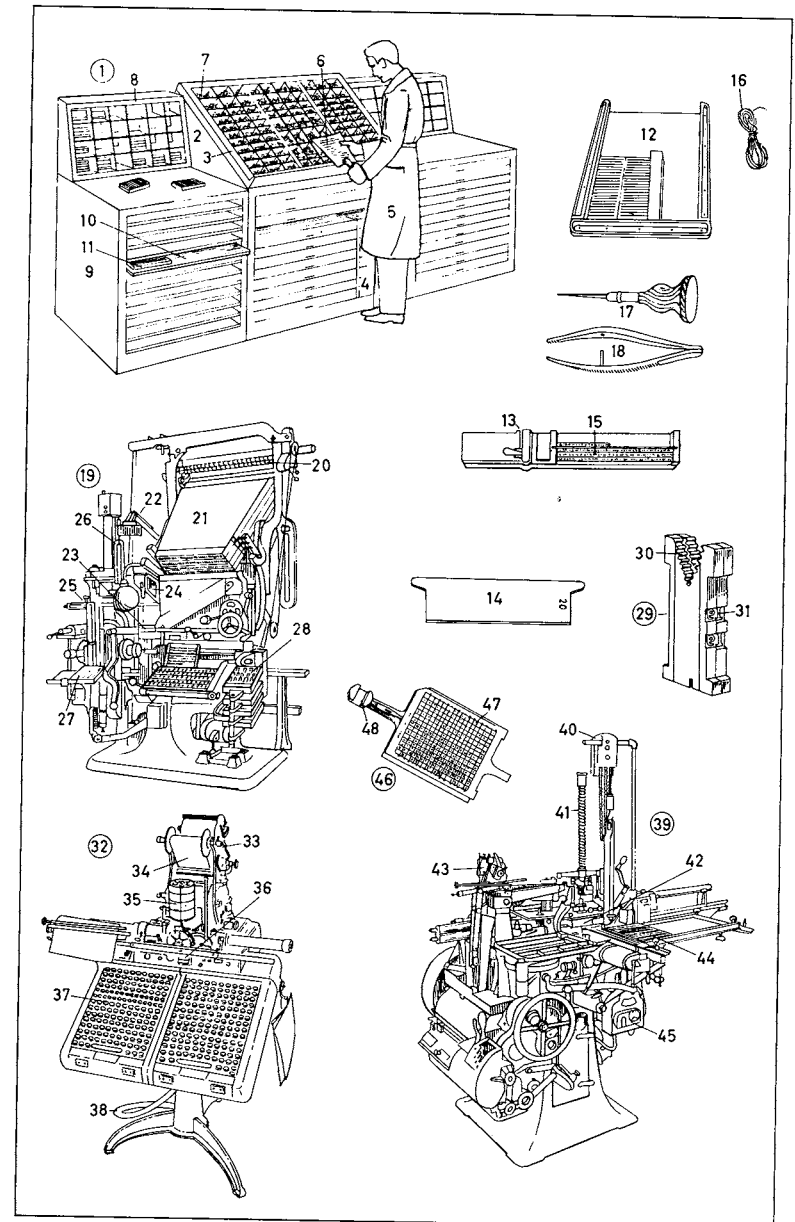
- 1 stuff chest (stock chest, machine chest), a mixing chest for stuff (stock)
- 2-10 laboratory apparatus (laboratory equipment) for analysing stuff (stock) and paper
- 2 Erlenmeyer flask
- 3 volumetric flask
- 4 measuring cylinder
- 5 Bunsen burner
- 6 tripod
- 7 petri dish
- 8 test tube rack
- 9 balance for measuring basis weight
- 10 micrometer
- 11 centrifugal cleaners ahead of the breastbox (headbox, stuff box) of a paper machine
- 12 standpipe
- 13-28 paper machine (production line) [diagram]
- 13 feed-in from the machine chest (stuff chest) with sand table (sand trap, riffler) and knotter
- 14 wire (machine wire)
- 15 vacuum box (suction box)
- 16 suction roll
- 17 first wet felt
- 18 second wet felt
- 19 first press
- 20 second press
- 21 offset press
- 22 drying cylinder (drier)
- 23 dry felt (drier felt)
- 24 size press
- 25 cooling roll
- 26 calender rolls
- 27 machine hood
- 28 delivery reel
- 29-35 blade coating machine (blade coater)
- 29 raw paper (body paper)
- 30 web
- 31 coater for the top side
- 32 infrared drier
- 33 heated drying cylinder
- 34 coater for the underside (wire side)

- 35 reel of coated paper
- 36 calender (super-calender)
- 37 hydraulic system for the press rolls
- 38 calender roll
- 39 unwind station
- 40 lift platform
- 41 rewind station (rewinder, re-reeler, reeling machine, re-reeling machine)
- 42 roll cutter
- 43 control panel
- 44 cutter
- 45 web
- 46-51 papermaking by hand
- 46 vatman
- 47 vat
- 48 mould (*Am. mold*)
- 49 coucher (couchman)
- 50 post ready for pressing
- 51 felt



- 1 hand-setting room (hand-composing room)
- 2 composing frame
- 3 case (typecase)
- 4 case cabinet (case rack)
- 5 hand compositor (compositor, typesetter, maker-up)
- 6 manuscript (typescript)
- 7 sorts (types, type characters, characters)
- 8 rack (case) for furniture (spacing material)
- 9 standing type rack (standing matter rack)
- 10 storage shelf (shelf for storing formes, *Am.* forms)
- 11 standing type (standing matter)
- 12 galley
- 13 composing stick (setting stick)
- 14 composing rule (setting rule)
- 15 type (type matter, matter)
- 16 page cord
- 17 bodkin
- 18 tweezers
- 19 **Linotype line-composing (line-casting, slug-composing, slug-casting) machine, a multi-magazine machine**
- 20 distributing mechanism (distributor)
- 21 type magazines with matrices (matrixes)
- 22 elevator carrier for distributing the matrices (matrixes)
- 23 assembler
- 24 spacebands
- 25 casting mechanism
- 26 metal feeder
- 27 machine-set matter (cast lines, slugs)
- 28 matrices (matrixes) for hand-setting (sorts)
- 29 Linotype matrix
- 30 teeth for the distributing mechanism (distributor)
- 31 face (type face, matrix)

- 32-45 **monotype single-unit composing (typesetting) and casting machine** (monotype single-unit composition caster)
- 32 monotype standard composing (typesetting) machine (keyboard)
- 33 paper tower
- 34 paper ribbon
- 35 justifying scale
- 36 unit indicator
- 37 keyboard
- 38 compressed-air hose
- 39 monotype casting machine (monotype caster)
- 40 automatic metal feeder
- 41 pump compression spring (pump pressure spring)
- 42 matrix case (die case)
- 43 paper tower
- 44 galley with types (letters, characters, cast single types, cast single letters)
- 45 electric heater (electric heating unit)
- 46 matrix case (die case)
- 47 type matrices (matrixes) (letter matrixes)
- 48 guide block for engaging with the cross-slide guide



- 1-17 composition (type matter, type)
- 1 initial (initial letter)
- 2 bold type (bold, boldfaced type, heavy type, boldface)
- 3 semibold type (semibold)
- 4 line
- 5 space
- 6 ligature (double letter)
- 7 italic type (italics)
- 8 light face type (light face)
- 9 extra bold type (extra bold)
- 10 bold condensed type (bold condensed)
- 11 majuscule (capital letter, capital, upper case letter)
- 12 minuscule (small letter, lower case letter)
- 13 letter spacing (interspacing)
- 14 small capitals
- 15 break
- 16 indention
- 17 space
- 18 type sizes [one typographic point = 0.376 mm (Didot system), 0.351 mm (Pica system)]
- 19 six-to-pica (2 points)
- 20 half nonpareil (four-to-pica) (3 points)
- 21 brilliant (4 points); *sim.*: diamond (4½ points)
- 22 pearl (5 points); *sim.*: ruby (*Am. agate*) (5½ points)
- 23 nonpareil (6 points); *sim.*: minionette (6½ points)
- 24 minion (7 points)
- 25 brevier (8 points)
- 26 bourgeois (9 points)
- 27 long primer (10 points)
- 28 pica (12 points)
- 29 English (14 points)
- 30 great primer (two-line brevier, *Am. Columbian*) (16 points)
- 31 paragon (two-line primer) (20 points)
- 32-37 typesetting (type casting)
- 32 punch cutter
- 33 graver (burin, cutter)

- 34 magnifying glass (magnifier)
- 35 punch blank (die blank)
- 36 finished steel punch (finished steel die)
- 37 punched matrix (stamped matrix, strike, drive)
- 38 type (type character, character)
- 39 head
- 40 shoulder
- 41 counter
- 42 face (type face)
- 43 type line (bodyline)
- 44 height to paper (type height)
- 45 height of shank (height of shoulder)
- 46 body size (type size, point size)
- 47 nick
- 48 set (width)
- 49 matrix-boring machine (matrix-engraving machine), a special-purpose boring machine
- 50 stand
- 51 cutter (cutting head)
- 52 cutting table
- 53 pantograph carriage
- 54 V-way
- 55 pattern
- 56 pattern table
- 57 follower
- 58 pantograph
- 59 matrix clamp
- 60 cutter spindle
- 61 drive motor

Alfred John Dodsley, essayist and journalist⁴ was born in Wenlock on the 5th August 1841 and died on the 4th October 1920 in Birmingham. His father was a journeyman thatcher and as a boy Dodsley was sent to work in the fields as a bird-scarer. Having taught himself to read and write fluently — for many years the only books he possessed were a Bible and a volume of Tillotson's sermons — he went to Shrewsbury to study. Living in extreme poverty he began to write for the EAST HEREFORDSHIRE GAZETTE and a collection of his essays together with some poems on country life was published in 1868 under the title "Rural Thoughts". Among his most popular works were "The Diary of a Derbyshire Shepherd" (1872), "Rural Verses" (1879), "Leaves from a Countryman's Notebook" (1893) and "Memoirs of Nineteenth Century Shropshire", published posthumously. Dodsley also contributed many articles on country life to London papers and championed the cause of the agricultural worker during the depression of the 1880's. The latter years of his life were embittered by controversy raised by his protests against the unemployment caused by mechanised farming.

16— He was for many years president of the Society for the Protection of the Liberties of the Farm-worker.

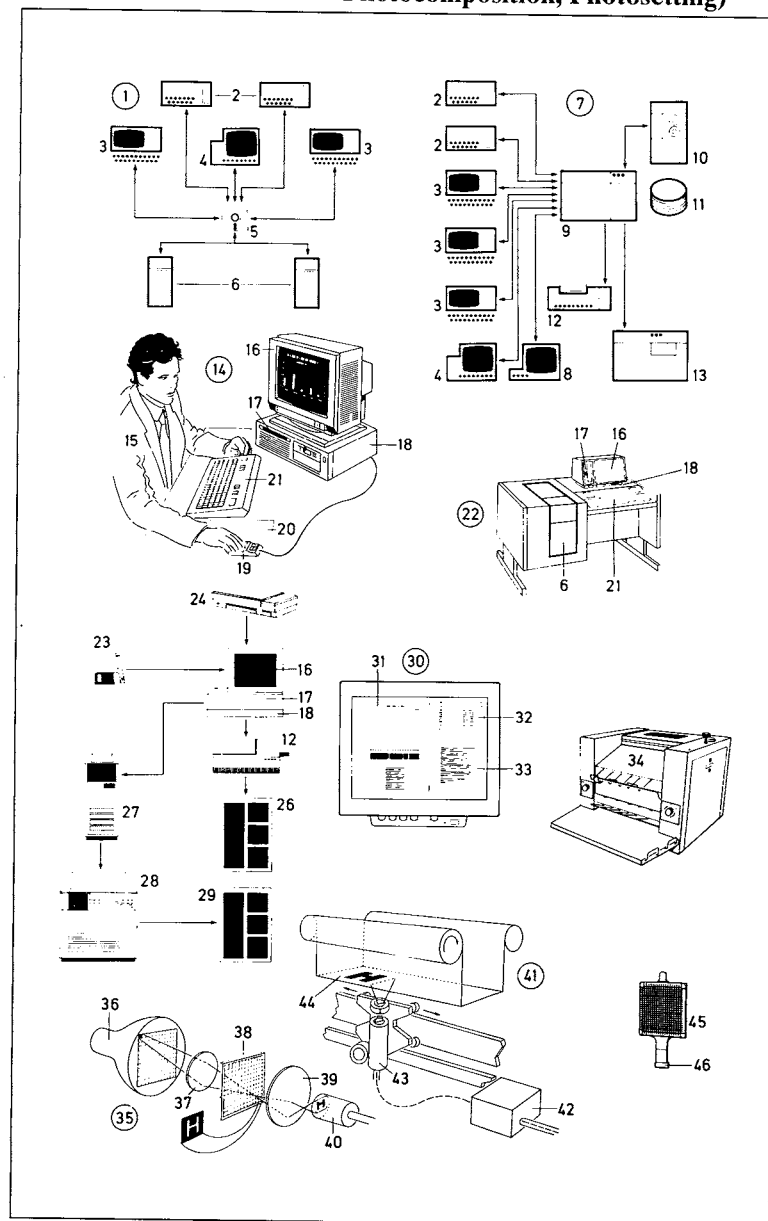
- 19
- 20
- 21 N n
- 22 N n
- 23 N n
- 24 N n
- 25 N n
- 26 N n
- 27 N n
- 28 N n
- 29 N n
- 30 N n
- 31 N n

176 Typesetting Room III (Phototypesetting, Photocomposition, Photosetting)

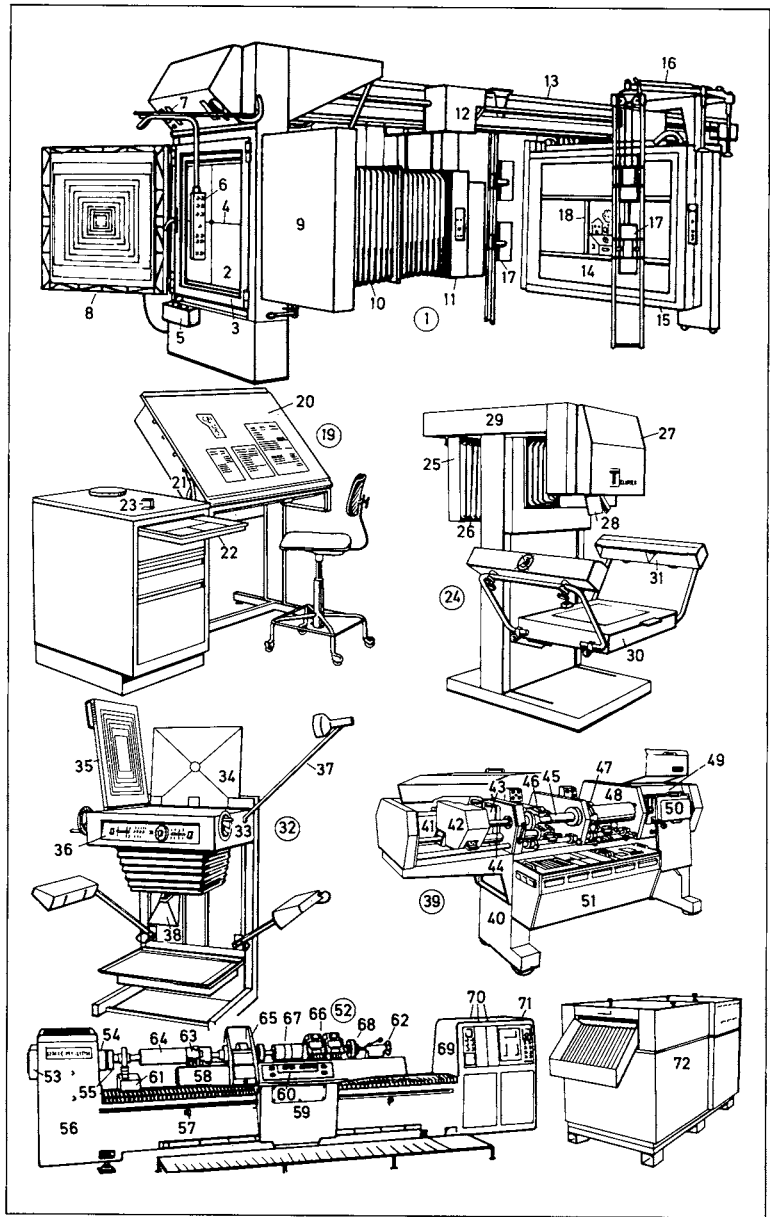
- 1-21 phototypesetting configurations
- 1 off-line configuration
- 2, 3 data capture
- 2 terminal for keying unformatted text
- 3 text capture and correction terminal
- 4 layout terminal (page-layout terminal)
- 5 data carrier, a diskette (floppy disk)
- 6 (photo)typesetting unit (phototypesetter)
- 7 on-line configuration
- 8 make-up terminal (page make-up terminal)
- 9 central processing unit (typesetting computer)
- 10 magnetic tape unit (magnetic tape drive)
- 11 disk store
- 12 printer, a laser printer
- 13 phototypesetting machine (phototypesetter)
- 14 text capture (text-capture terminal)
- 15 typesetter (keyboarder or typographer)
- 16 screen (monitor)
- 17 floppy disk drive
- 18 computer and memory unit with central processing unit and hard disk
- 19 mouse, an input device
- 20 mouse mat
- 21 keyboard, an input device
- 22 **direct-entry phototypesetter**
- 23-33 **desktop publishing (DTP)**
- 23 diskette (floppy disk) with text, layout, and graphics programs
- 24 scanner (flat-bed scanner)
- 25 personal computer (PC) or workstation
- 26 printout (computer printout)
- 27 raster image processor (RIP)
- 28 laser phototypesetter
- 29 proof

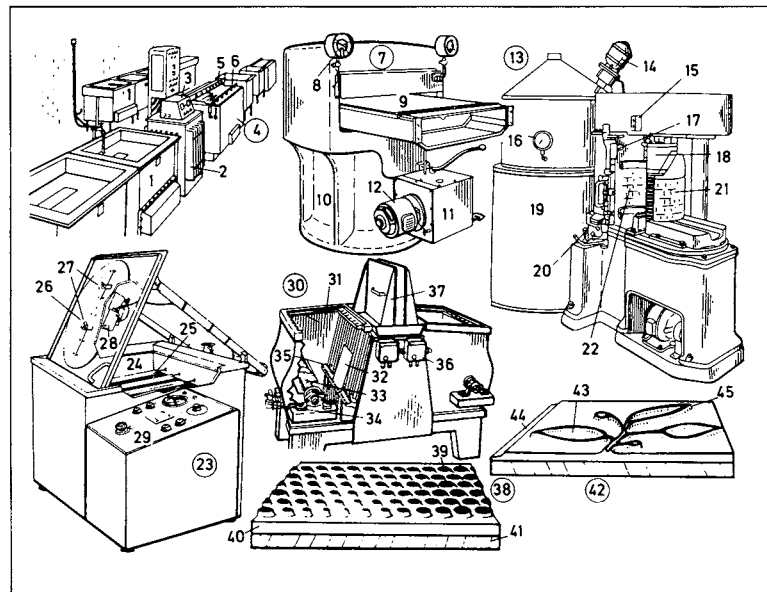
- 30 high-resolution graphics screen, a large-format colour monitor
- 31 display window
- 32 typographic parameters
- 33 (typographic) command window
- 34 film copier
- 35-46 **cathode ray tube (CRT) typesetter**
- 35 scanning system
- 36 scan-generating (scanning) cathode ray tube (CRT)
- 37 lens
- 38 character grid (matrix case)
- 39 condenser lens
- 40 photomultiplier
- 41 output system
- 42 video amplifier
- 43 character-generating tube (CRT character generator)
- 44 exposure plane
- 45 matrix case
- 46 guide claw

Typesetting Room III (Phototypesetting, 176 Photocomposition, Photosetting)



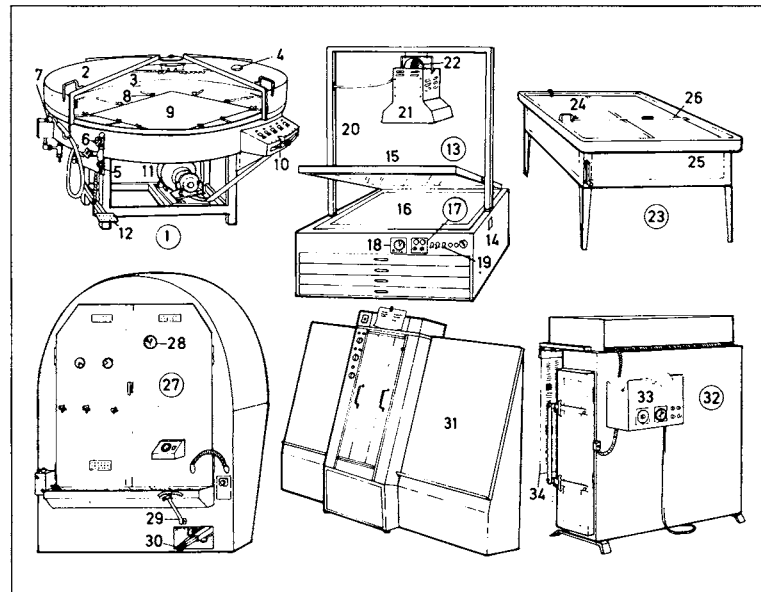
- 1 overhead process camera (overhead copying camera)
- 2 focusing screen (ground glass screen)
- 3 hinged screen holder
- 4 graticule
- 5 control console
- 6 hinged bracket-mounted control panel
- 7 percentage focusing charts
- 8 vacuum film holder
- 9 screen magazine
- 10 bellows
- 11 standard
- 12 register device
- 13 overhead gantry
- 14 copyboard
- 15 copyholder
- 16 lamp bracket
- 17 xenon lamp
- 18 copy (original)
- 19 retouching and stripping desk
- 20 illuminated screen
- 21 height and angle adjustment
- 22 copyboard
- 23 linen tester, a magnifying glass
- 24 universal process and reproduction camera
- 25 camera body
- 26 bellows
- 27 lens carrier
- 28 angled mirror
- 29 stand
- 30 copyboard
- 31 halogen lamp
- 32 vertical process camera, a compact camera
- 33 camera body
- 34 focusing screen (ground glass screen)
- 35 vacuum back
- 36 control panel
- 37 flash lamp
- 38 mirror for right-reading images
- 39 scanner (colour, *Am.* color, correction unit)
- 40 base frame
- 41 lamp compartment
- 42 xenon lamp housing
- 43 feed motors
- 44 transparency arm
- 45 scanning drum
- 46 scanning head
- 47 mask-scanning head
- 48 mask drum
- 49 recording space
- 50 daylight cassette
- 51 colour (*Am.* color) computer with control unit and selective colour correction
- 52 engraving machine
- 53 seamless engraving adjustment
- 54 drive clutch
- 55 clutch flange
- 56 drive unit
- 57 machine bed
- 58 equipment carrier
- 59 bed slide
- 60 control panel
- 61 bearing block
- 62 tailstock
- 63 scanning head
- 64 copy cylinder
- 65 centre (*Am.* center) bearing
- 66 engraving system
- 67 printing cylinder
- 68 cylinder arm
- 69 electronics (electronic) cabinet
- 70 computers
- 71 program input
- 72 automatic film processor for scanner films



**1-6 electrotyping plant**

- 1 cleaning tank
- 2 rectifier
- 3 measuring and control unit
- 4 electroplating tank (electroplating bath, electroplating vat)
- 5 anode rod (with copper anodes)
- 6 plate rod (cathode)
- 7 **hydraulic moulding** (*Am.* molding) press
- 8 pressure gauge (*Am.* gage) (manometer)
- 9 apron
- 10 round base
- 11 hydraulic pressure pump
- 12 drive motor
- 13 **curved plate casting machine** (curved electrotype casting machine)
- 14 motor
- 15 control knobs
- 16 pyrometer
- 17 mouth piece
- 18 core
- 19 melting furnace
- 20 starting lever
- 21 cast curved plate (cast curved electrotype) for rotary printing
- 22 fixed mould (*Am.* mold)
- 23 **etching machine**

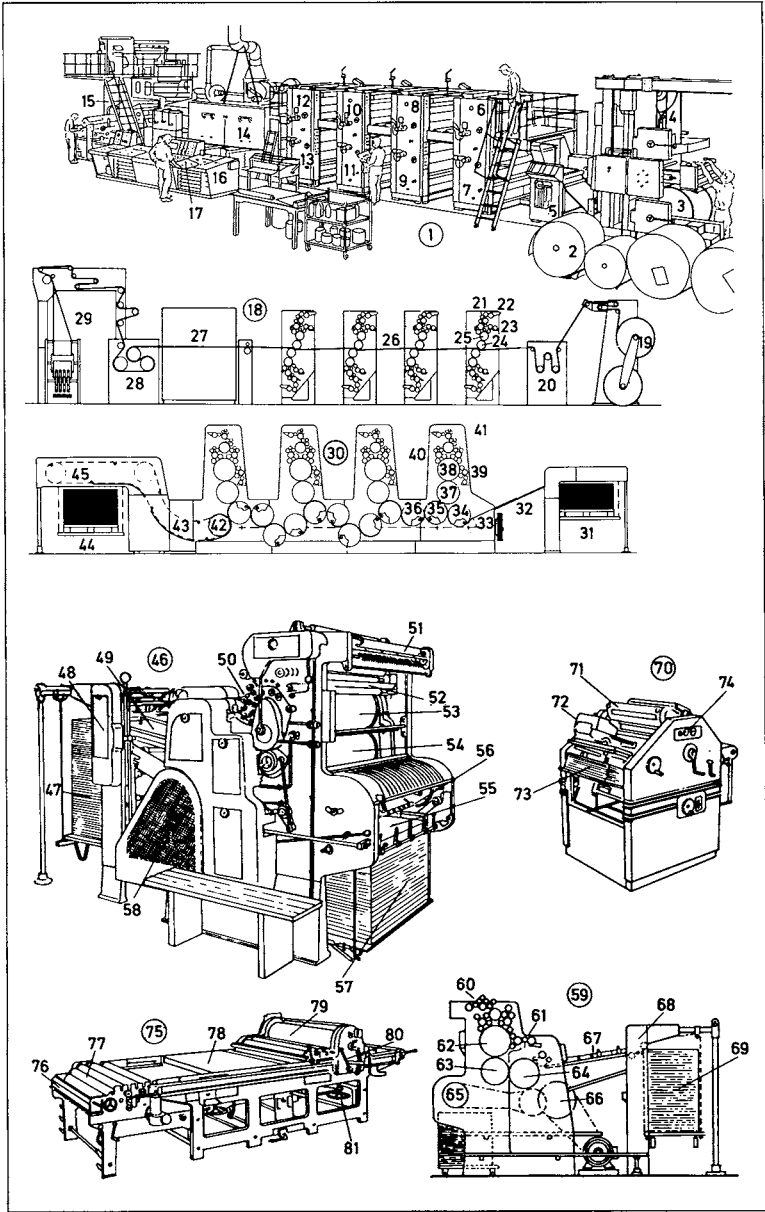
- 24 etching tank with etching solution (etchant, mordant) and filming agent (film former)
- 25 paddles
- 26 turntable
- 27 plate clamp
- 28 drive motor
- 29 control unit
- 30 **twin etching machine**
- 31 etching tank (etching bath) [in section]
- 32 photoprinted zinc plate
- 33 paddle
- 34 outlet cock (drain cock, *Am.* faucet)
- 35 plate rack
- 36 control switches
- 37 lid
- 38 **halftone photoengraving** (halftone block, halftone plate), a block (plate, printing plate)
- 39 dot (halftone dot), a printing element
- 40 etched zinc plate
- 41 block mount (block mounting, plate mount, plate mounting)
- 42 **line block** (line engraving, line etching, line plate, line cut)
- 43 non-printing, deep-etched areas
- 44 flange (bevel edge)
- 45 sidewall



- 1 plate whirler (whirler, plate-coating machine) for coating offset plates
- 2 sliding lid
- 3 electric heater
- 4 temperature gauge (*Am.* gage)
- 5 water connection for the spray unit
- 6 spray unit
- 7 hand spray
- 8 plate clamps
- 9 zinc plate (*also*: magnesium plate, copper plate)
- 10 control panel
- 11 drive motor
- 12 brake pedal
- 13 vacuum printing frame (vacuum frame, printing-down frame)
- 14 base of the vacuum printing frame (vacuum frame, printing-down frame)
- 15 plate glass frame
- 16 coated offset plate
- 17 control panel
- 18 exposure timer
- 19 vacuum pump switches
- 20 support
- 21 point light exposure lamp, a quartz-halogen lamp
- 22 fan blower
- 23 stripping table (make-up table) for stripping films
- 24 crystal glass screen
- 25 light box
- 26 straightedge rules
- 27 vertical plate-drying cabinet
- 28 hygrometer
- 29 speed control
- 30 brake pedal
- 31 processing machine for presensitized plates
- 32 burning-in oven for glue-enamel plates (diaz plates)
- 33 control box (control unit)
- 34 diazo plate

- 1 four-colour (*Am.* four-color) rotary offset press (rotary offset machine, web-offset press)
- 2 roll of unprinted paper (blank paper)
- 3 reel stand (carrier for the roll of unprinted paper)
- 4 forwarding rolls
- 5 side margin control (margin control, side control, side lay control)
- 6-13 inking units (inker units)
- 6, 8, 10, 12 inking units (inker units) in the upper printing unit
- 6, 7 perfecting unit (double unit) for yellow
- 7, 9, 11, 13 inking units (inker units) in the lower printing unit
- 8, 9 perfecting unit (double unit) for cyan
- 10, 11 perfecting unit (double unit) for magenta
- 12, 13 perfecting unit (double unit) for black
- 14 drier
- 15 folder (folder unit)
- 16 control desk
- 17 sheet
- 18 four-colour (*Am.* four-color) rotary offset press (rotary offset machine, web-offset press) [diagram]
- 19 reel stand
- 20 side margin control (margin control, side control, side lay control)
- 21 inking rollers (ink rollers, inkers)
- 22 ink duct (ink fountain)
- 23 damping rollers (dampening rollers, dampers, dampeners)
- 24 blanket cylinder
- 25 plate cylinder
- 26 route of the paper (of the web)
- 27 drier
- 28 chilling rolls (cooling rollers, chill rollers)
- 29 folder (folder unit)
- 30 four-colour (*Am.* four-color) sheet-fed offset machine (offset press) [diagram]
- 31 sheet feeder (feeder)
- 32 feed table (feed board)
- 33 route of the sheets through swing-grippers to the feed drum
- 34 feed drum
- 35 impression cylinder
- 36 transfer drums (transfer cylinders)
- 37 blanket cylinder
- 38 plate cylinder
- 39 damping unit (dampening unit)
- 40 inking unit (inker unit)
- 41 printing unit
- 42 delivery cylinder

- 43 chain delivery
- 44 delivery pile
- 45 delivery unit (delivery mechanism)
- 46 single-colour (*Am.* single-color) offset press (offset machine)
- 47 pile of paper (sheets, printing paper)
- 48 sheet feeder (feeder), an automatic pile feeder
- 49 feed table (feed board)
- 50 inking rollers (ink rollers, inkers)
- 51 inking unit (inker unit)
- 52 damping rollers (dampening rollers, dampers, dampeners)
- 53 plate cylinder, a zinc plate
- 54 blanket cylinder, a steel cylinder with rubber blanket
- 55 pile delivery unit for the printed sheets
- 56 gripper bar, a chain gripper
- 57 pile of printed paper (printed sheets)
- 58 guard for the V-belt (vee-belt) drive
- 59 single-colour (*Am.* single-color) offset press (offset machine) [diagram]
- 60 inking unit (inker unit) with inking rollers (ink rollers, inkers)
- 61 damping unit (dampening unit) with damping rollers (dampening rollers, dampers, dampeners)
- 62 plate cylinder
- 63 blanket cylinder
- 64 impression cylinder
- 65 delivery cylinders with grippers
- 66 drive wheel
- 67 feed table (feed board)
- 68 sheet feeder (feeder)
- 69 pile of unprinted paper (blank paper, unprinted sheets, blank sheets)
- 70 small sheet-fed offset press
- 71 inking unit (inker unit)
- 72 suction feeder
- 73 pile feeder
- 74 instrument panel (control panel) with counter, pressure gauge (*Am.* gage), air regulator, and control switch for the sheet feeder (feeder)
- 75 flat-bed offset press (offset machine) ('Mailänder' proofing press, proof press)
- 76 inking unit (inker unit)
- 77 inking rollers (ink rollers, inkers)
- 78 bed (press bed, type bed, forme bed, *Am.* form bed)
- 79 cylinder with rubber blanket
- 80 starting and stopping lever for the printing unit
- 81 impression-setting wheel (impression-adjusting wheel)

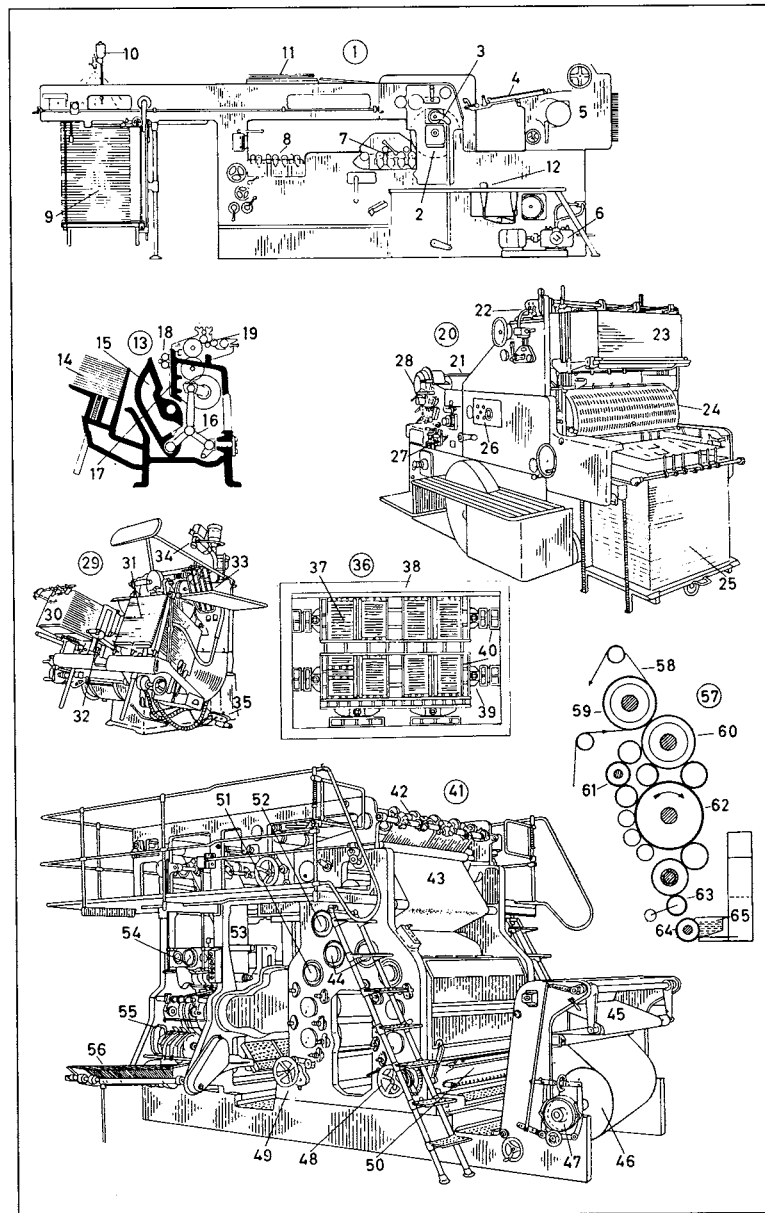


181 Letterpress Printing

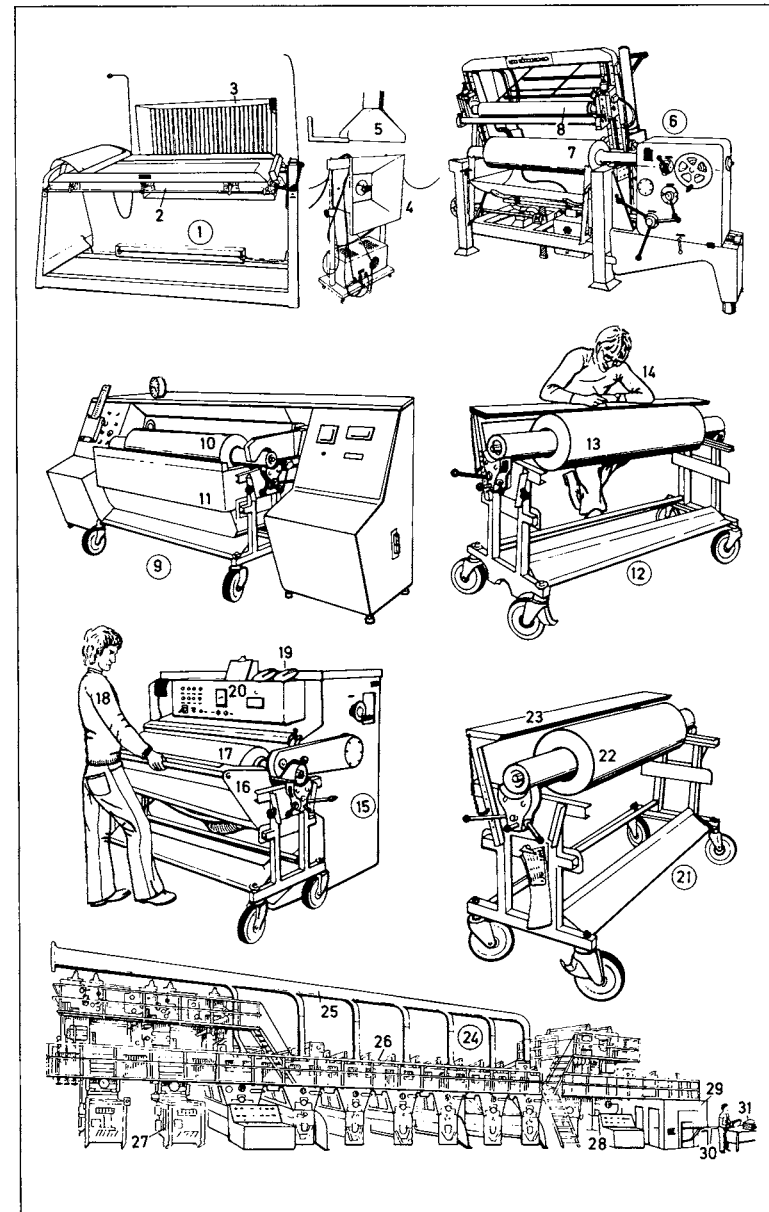
1-65 presses (machines) for letterpress printing (letterpress printing machines)

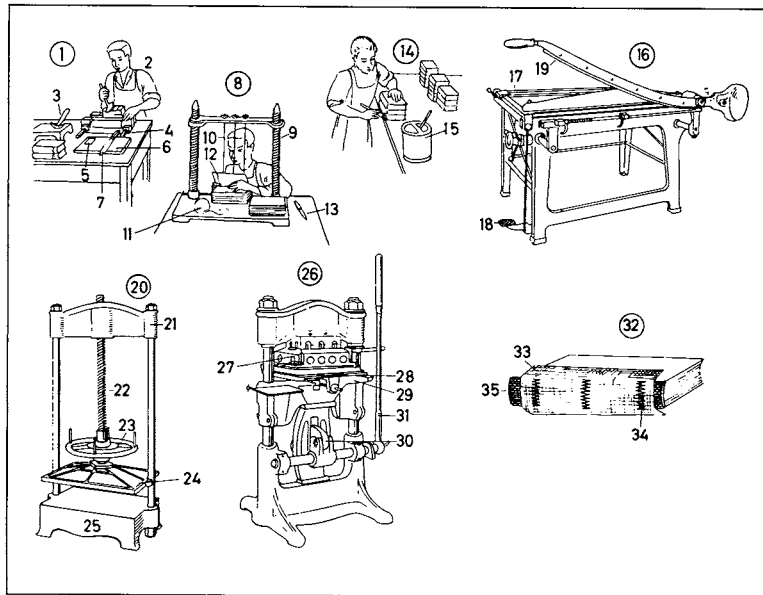
- 1 two-revolution flat-bed cylinder press
- 2 impression cylinder
- 3 lever for raising or lowering the cylinder
- 4 feed table (feed board)
- 5 automatic sheet feeder (feeder) [operated by vacuum and air blasts]
- 6 air pump for the feeder and delivery
- 7 inking unit (inker unit) with distributing rollers (distributor rollers, distributors) and forme rollers (*Am.* form rollers)
- 8 ink slab (ink plate) inking unit (inker unit)
- 9 delivery pile for printed paper
- 10 sprayer (anti set-off apparatus, anti set-off spray) for dusting the printed sheets
- 11 interleaving device
- 12 foot pedal for starting and stopping the press
- 13 platen press (platen machine, platen) [in section]
- 14 paper feed and delivery (paper feeding and delivery unit)
- 15 platen
- 16 toggle action (toggle-joint action)
- 17 bed (type bed, press bed, forme bed, *Am.* form bed)
- 18 forme rollers (*Am.* form rollers) (forme-inking, *Am.* form-inking, rollers)
- 19 inking unit (inker unit) for distributing the ink (printing ink)
- 20 stop-cylinder press (stop-cylinder machine)
- 21 feed table (feed board)
- 22 feeder mechanism (feeding apparatus, feeder)
- 23 pile of unprinted paper (blank paper, unprinted sheets, blank sheets)
- 24 guard for the sheet feeder (feeder)
- 25 pile of printed paper (printed sheets)
- 26 control mechanism
- 27 forme rollers (*Am.* form rollers) (forme-inking, *Am.* form-inking, rollers)
- 28 inking unit (inker unit)

- 29 [Heidelberg] platen press (platen machine, platen)
- 30 feed table (feed board) with pile of unprinted paper (blank paper, unprinted sheets, blank sheets)
- 31 delivery table
- 32 starting and stopping lever
- 33 delivery blower
- 34 spray gun (sprayer)
- 35 air pump for vacuum and air blasts
- 36 locked-up forme (*Am.* form)
- 37 type (type matter, matter)
- 38 chase
- 39 quoin
- 40 length of furniture
- 41 rotary letterpress press (rotary letterpress machine, web-fed letterpress machine) for newspapers of up to 16 pages
- 42 slitters for dividing the width of the web
- 43 web
- 44 impression cylinder
- 45 jockey roller (compensating roller, compensator, tension roller)
- 46 roll of paper
- 47 automatic brake
- 48 first printing unit
- 49 perfecting unit
- 50 inking unit (inker unit)
- 51 plate cylinder
- 52 second printing unit
- 53 former
- 54 tachometer with sheet counter
- 55 folder (folder unit)
- 56 folded newspaper
- 57 inking unit (inker unit) for the rotary press (web-fed press) [in section]
- 58 web
- 59 impression cylinder
- 60 plate cylinder
- 61 forme rollers (*Am.* form rollers) (forme-inking, *Am.* form-inking, rollers)
- 62 distributing rollers (distributor rollers, distributors)
- 63 lifter roller (ductor, ductor roller)
- 64 duct roller (fountain roller, ink fountain roller)
- 65 ink duct (ink fountain)



- 1 exposure of the carbon tissue (pigment paper)
- 2 vacuum frame
- 3 exposing lamp, a bank of quartz-halogen lamps
- 4 point source lamp
- 5 heat extractor
- 6 carbon tissue transfer machine (laydown machine, laying machine)
- 7 polished copper cylinder
- 8 rubber roller for pressing on the printed carbon tissue (pigment paper)
- 9 cylinder-processing machine
- 10 gravure cylinder coated with carbon tissue (pigment paper)
- 11 developing tank
- 12 staging
- 13 developed cylinder
- 14 retoucher painting out (stopping out)
- 15 etching machine
- 16 etching tank with etching solution (etchant, mordant)
- 17 printed gravure cylinder
- 18 gravure etcher
- 19 calculator dial
- 20 timer
- 21 revising (correcting) the cylinder
- 22 etched gravure cylinder
- 23 ledge
- 24 multicolour (*Am.* multicolor) rotogravure press
- 25 exhaust pipe for solvent fumes
- 26 reversible printing unit
- 27 folder (folder unit)
- 28 control desk
- 29 newspaper delivery unit
- 30 conveyor belt (conveyor)
- 31 bundled stack of newspapers

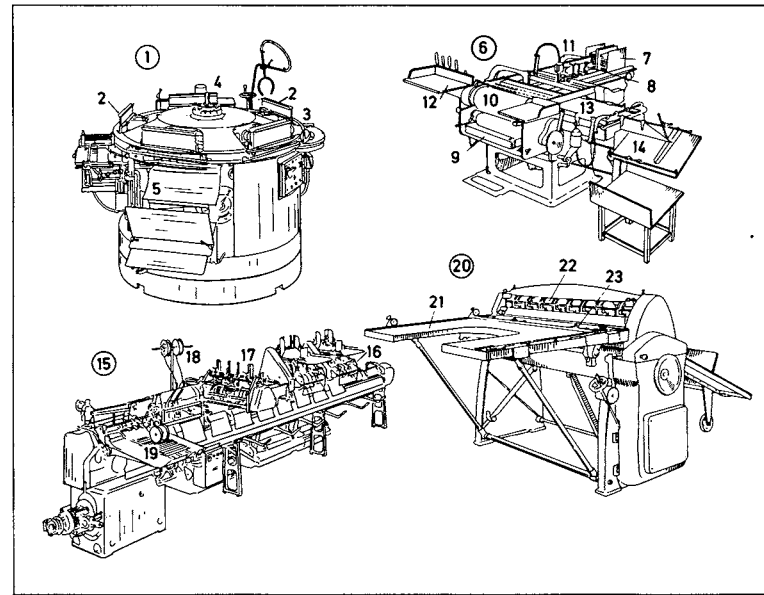




1-35 hand bookbindery (hand bindery)

- 1 gilding the spine of the book
- 2 gold finisher (gilder), a bookbinder
- 3 fillet
- 4 holding press (finishing press)
- 5 gold leaf
- 6 gold cushion
- 7 gold knife
- 8 sewing (stitching)
- 9 sewing frame
- 10 sewing cord
- 11 ball of thread (sewing thread)
- 12 section (signature)
- 13 bookbinder's knife
- 14 gluing the spine
- 15 glue pot
- 16 board cutter (guillotine)
- 17 back gauge (*Am.* gage)
- 18 clamp with foot pedal
- 19 cutting blade
- 20 standing press, a nipping press
- 21 head piece (head beam)

- 22 spindle
- 23 handwheel
- 24 platen
- 25 bed (base)
- 26 gilding (gold blocking) and embossing press, a hand-lever press; *sim.*: toggle-joint press (toggle-lever press)
- 27 heating box
- 28 sliding plate
- 29 embossing platen
- 30 toggle action (toggle-joint action)
- 31 hand lever
- 32 book sewn on gauze (mull, scrim) (book block)
- 33 gauze (mull, scrim)
- 34 sewing (stitching)
- 35 headband



1-23 bookbinding machines

- 1 adhesive binder (perfect binder) for short runs
- 2 manual feed station
- 3 cutoff knife and roughing station
- 4 gluing mechanism
- 5 delivery (book delivery)
- 6 case maker (case-making machine)
- 7 board feed hoppers
- 8 pick-up suckers
- 9 glue tank
- 10 cover cylinder
- 11 picker head
- 12 feed table for covering materials [linen, paper, leather]
- 13 pressing mechanism
- 14 delivery table
- 15 gang stitcher (gathering and wire-stitching machine, gatherer and wire stitcher)
- 16 sheet feeder (sheet-feeding station)
- 17 folder-feeding station

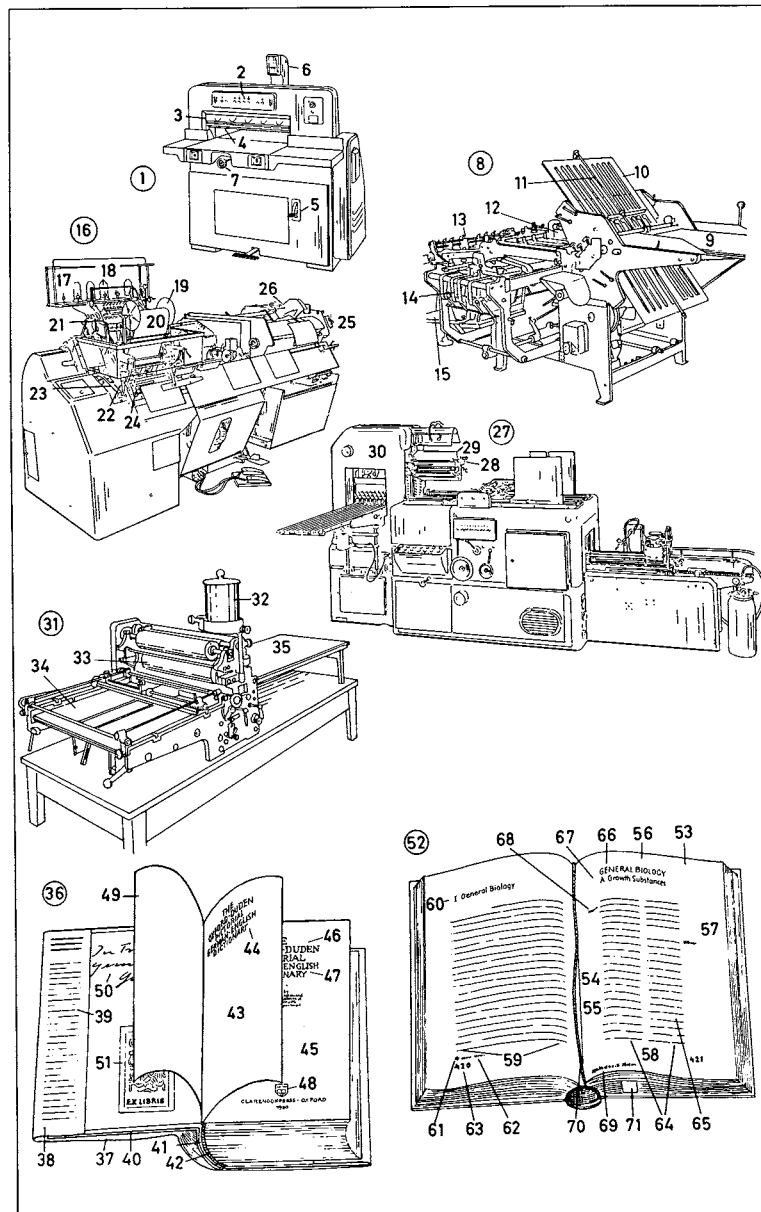
- 18 stitching wire feed mechanism
- 19 delivery table
- 20 rotary board cutter (rotary board-cutting machine)
- 21 feed table with cut-out section
- 22 rotary cutter
- 23 feed guide

1-35 bookbinding machines

- 1 guillotine (guillotine cutter, automatic guillotine cutter)
- 2 control panel
- 3 clamp
- 4 back gauge (*Am. gage*)
- 5 calibrated pressure adjustment [to clamp]
- 6 illuminated cutting scale
- 7 single-hand control for the back gauge (*Am. gage*)
- 8 combined buckle and knife folding machine (combined buckle and knife folder)
- 9 feed table (feed board)
- 10 fold plates
- 11 stop for making the buckle fold
- 12 cross fold knives
- 13 belt delivery for parallel-folded signatures
- 14 third cross fold unit
- 15 delivery tray for cross-folded signatures
- 16 sewing machine (book-sewing machine)
- 17 spool holder
- 18 thread cop (thread spool)
- 19 gauze roll holder (mull roll holder, scrim roll holder)
- 20 gauze (mull, scrim)
- 21 needle cylinders with sewing needles
- 22 sewn book
- 23 delivery
- 24 reciprocating saddle
- 25 sheet feeder (feeder)
- 26 feed hopper
- 27 casing-in machine
- 28 joint and side pasting attachment
- 29 blade
- 30 preheater unit
- 31 gluing machine for whole-surface, stencil, edge, and strip gluing
- 32 glue tank
- 33 glue roller
- 34 feed table
- 35 delivery

36 book

- 37 dust jacket (dust cover, book jacket, wrapper), a publisher's wrapper
- 38 jacket flap
- 39 blurb
- 40-42 binding
- 40 cover (book cover, case)
- 41 spine (backbone, back)
- 42 tailband (footband)
- 43-47 preliminary matter (prelims, front matter)
- 43 half-title
- 44 half-title (bastard title, fly title)
- 45 title page
- 46 full title (main title)
- 47 subtitle
- 48 publisher's imprint (imprint)
- 49 fly leaf (endpaper, endleaf)
- 50 handwritten dedication
- 51 bookplate (*ex libris*)
- 52 open book
- 53 page
- 54 fold
- 55-58 margin
- 55 back margin (inside margin, gutter)
- 56 head margin (upper margin)
- 57 fore edge margin (outside margin, fore edge)
- 58 tail margin (foot margin, tail, foot)
- 59 type area
- 60 chapter heading
- 61 asterisk
- 62 footnote
- 63 page number
- 64 double-column page
- 65 column
- 66 running title (running head)
- 67 caption
- 68 marginal note (side note)
- 69 signature (signature code)
- 70 attached bookmark (attached bookmarker)
- 71 loose bookmark (loose bookmarker)

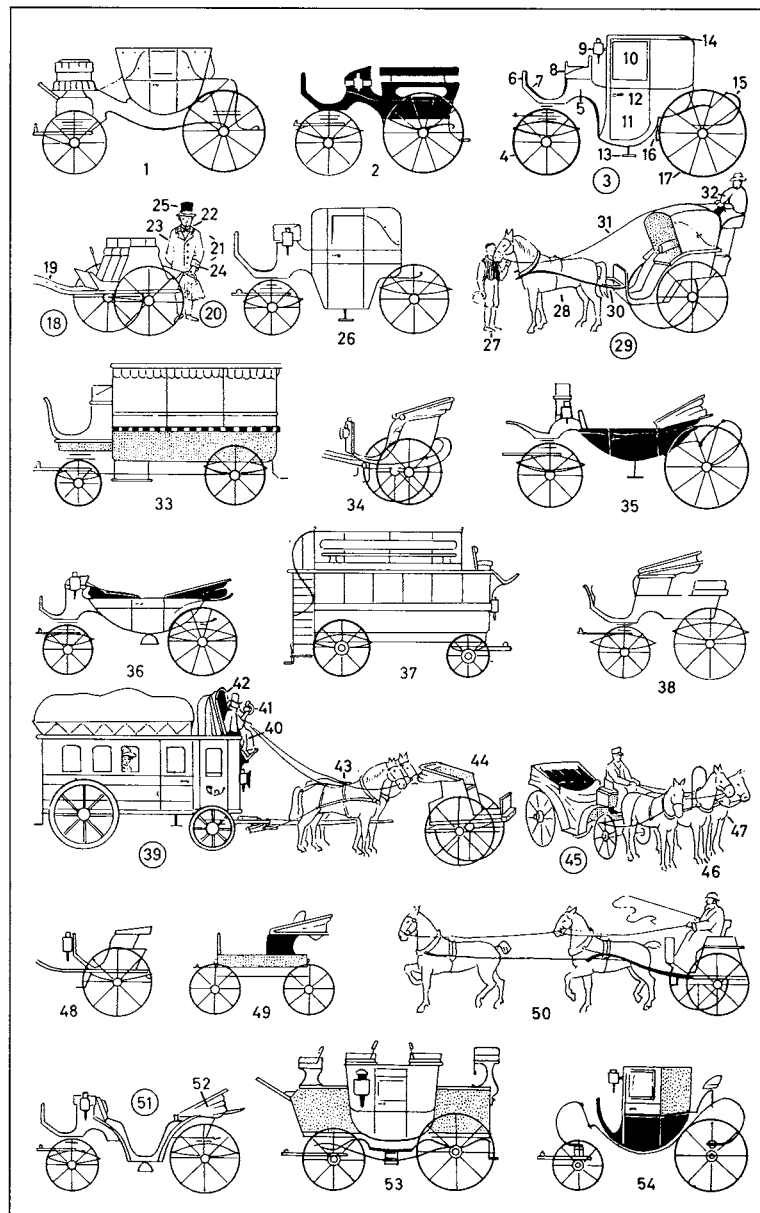


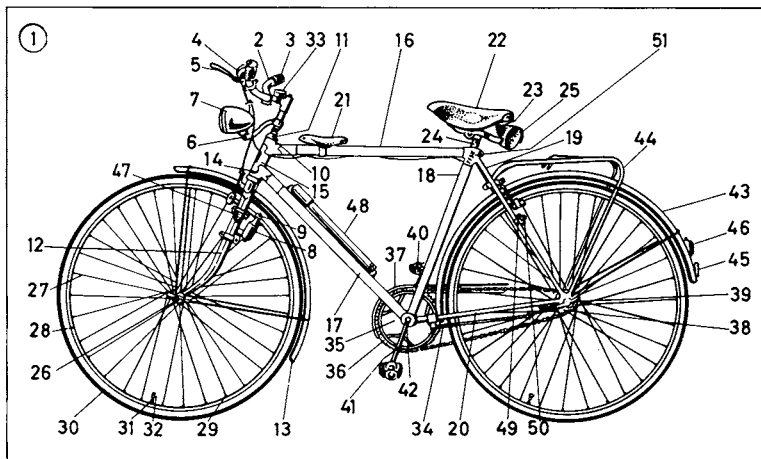
1-54 carriages (horse-drawn vehicles)

1-3, 26-39, 45, 51-54 carriages and coaches (coach wagons)

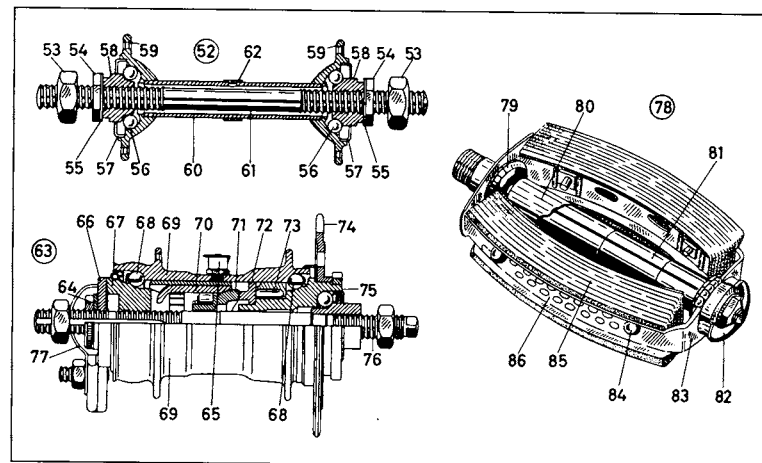
- 1 berlin
 2 wagonette; *larger*: brake (break)
 3 coupé; *sim.*: brougham
 4 front wheel
 5 coach body
 6 dashboard (splashboard)
 7 footboard
 8 coach box (box, coachman's seat, driver's seat)
 9 lamp (lantern)
 10 window
 11 door (coach door)
 12 door handle (handle)
 13 footboard (carriage step, coach step, step, footpiece)
 14 fixed top
 15 spring
 16 brake (brake block)
 17 back wheel (rear wheel)
 18 dogcart, a one-horse carriage
 19 shafts (thills, poles)
 20 lackey (lacquy, footman)
 21 livery
 22 braided (gallooned) collar
 23 braided (gallooned) coat
 24 braided (gallooned) sleeve
 25 top hat
 26 hackney carriage (hackney coach, cab, growler, *Am.* hack)
 27 stableman (groom)
 28 coach horse (carriage horse, cab horse, thill horse, thiller)
 29 hansom cab (hansom), a cabriolet, a one-horse chaise (one-horse carriage)
 30 shafts (thills, poles)
 31 reins (rein, *Am.* line)
 32 coachman (driver) with invernass
 33 covered char-a-banc (brake, break), a pleasure vehicle
 34 gig (chaise)
 35 barouche
 36 landau, a two-horse carriage; *sim.*: landaulet, landalette

- 37 omnibus (horse-drawn omnibus)
 38 phaeton
 39 Continental stagecoach (mail-coach, diligence); *also*: road coach
 40 mailcoach driver
 41 posthorn
 42 hood
 43 post horses (relay horses, relays)
 44 tilbury
 45 troika (Russian three-horse carriage)
 46 leader
 47 wheeler (wheelhorse, pole horse)
 48 English buggy
 49 American buggy
 50 tandem
 51 vis-à-vis
 52 collapsible hood (collapsible top)
 53 mailcoach (English stagecoach)
 54 covered (closed) chaise





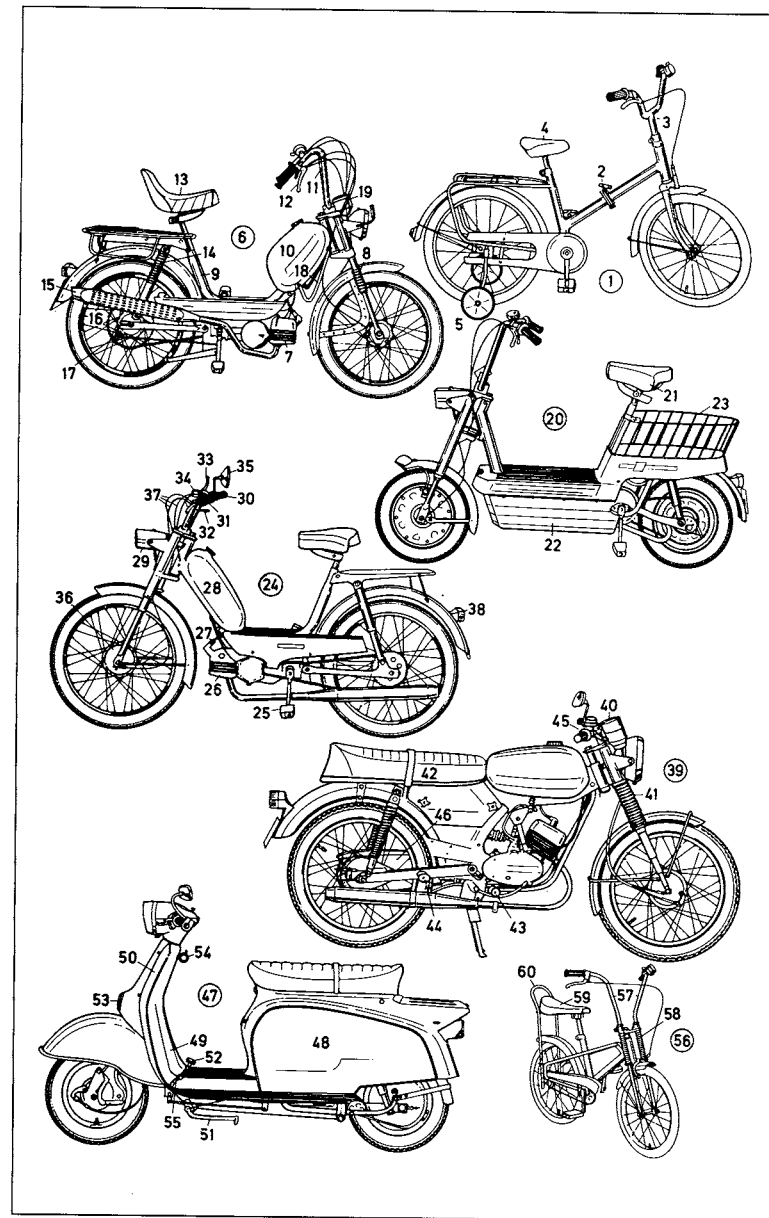
- | | |
|---|---|
| 1 bicycle (cycle, <i>coll.</i> bike, <i>Am.</i> wheel), a gent's bicycle, a touring bicycle (touring cycle, roadster) | 23 saddle springs |
| 2 handlebar (handlebars), a touring cycle handlebar | 24 seat pillar |
| 3 handlebar grip (handgrip, grip) | 25 tool bag |
| 4 bicycle bell | 26-32 wheel (front wheel) |
| 5 hand brake (front brake), a rim brake | 26 hub |
| 6 lamp bracket | 27 spoke |
| 7 headlamp (bicycle lamp) | 28 rim (wheel rim) |
| 8 dynamo | 29 spoke nipple (spoke flange, spoke end) |
| 9 pulley | 30 tyre (<i>Am.</i> tire) (pneumatic tyre, high-pressure tyre); <i>inside</i> : tube (inner tube); <i>outside</i> : tyre (outer case, cover) |
| 10-12 front forks | 31 valve, a tube valve with valve tube or a patent valve with ball |
| 10 handlebar stem | 32 valve sealing cap |
| 11 steering head | 33 bicycle speedometer with milometer |
| 12 fork blades (fork ends) | 34 kick stand (prop stand) |
| 13 front mudguard (<i>Am.</i> front fender) | 35-42 bicycle drive (chain drive) |
| 14-20 bicycle frame | 35 chain wheel |
| 14 steering tube (fork column) | 35-39 chain transmission |
| 15 head badge | 35 chain wheel |
| 16 crossbar (top tube) | 36 chain, a roller chain |
| 17 down tube | 37 chain guard |
| 18 seat tube | 38 sprocket wheel (sprocket) |
| 19 seat stays | 39 wing nut (fly nut, butterfly nut) |
| 20 chain stays | 40 pedal |
| 21 child's seat (child carrier seat) | 41 crank |
| 22 bicycle saddle | 42 bottom bracket bearing |



- | | |
|--|--|
| 43 rear mudguard (<i>Am.</i> rear fender) | 67 brake arm cone |
| 44 luggage carrier (carrier) | 68 bearing cup with ball bearings in ball race |
| 45 reflector | 69 hub shell (hub body, hub barrel) |
| 46 rear light (rear lamp) | 70 brake casing |
| 47 footrest | 71 brake cone |
| 48 bicycle pump | 72 driver |
| 49 bicycle lock, a wheel lock | 73 driving barrel |
| 50 patent key | 74 sprocket |
| 51 cycle serial number (factory number, frame number) | 75 thread head |
| 52 front hub (front hub assembly) | 76 axle |
| 53 wheel nut | 77 bracket |
| 54 locknut (locking nut) | 78 bicycle pedal (pedal, reflector pedal) |
| 55 washer (slotted cone adjusting washer) | 79 cup |
| 56 ball bearing | 80 spindle |
| 57 reflector | 81 axle |
| 58 cone (adjusting cone) | 82 dust cap |
| 59 centre (<i>Am.</i> center) hub | 83 pedal frame |
| 60 spindle | 84 rubber stud |
| 61 axle | 85 rubber block (rubber tread) |
| 62 clip covering lubrication hole (lubricator) | 86 glass reflector |
| 63 free-wheel hub with back-pedal brake (with coaster brake) | |
| 64 safety nut | |
| 65 lubricator | |
| 66 brake arm | |

- 1 folding bicycle
- 2 hinge (*also*: locking lever)
- 3 adjustable handlebar (handlebars)
- 4 adjustable saddle
- 5 stabilizers
- 6 motor-assisted bicycle
- 7 air-cooled two-stroke engine
- 8 telescopic forks
- 9 tubular frame
- 10 fuel tank (petrol tank, *Am.* gasoline tank)
- 11 semi-rise handlebars
- 12 two-speed gear-change (gearshift)
- 13 high-back polo saddle
- 14 swinging-arm rear fork
- 15 upswept exhaust
- 16 heat shield
- 17 drive chain
- 18 crash bar (roll bar)
- 19 speedometer (*coll.* speedo)
- 20 battery-powered moped, an electrically-powered vehicle
- 21 swivel saddle
- 22 battery compartment
- 23 wire basket
- 24 touring moped (moped)
- 25 pedal crank (pedal drive, starter pedal)
- 26 single-cylinder two-stroke engine
- 27 spark-plug cap
- 28 fuel tank (petrol tank, *Am.* gasoline tank)
- 29 moped headlamp (front lamp)
- 30-35 handlebar fittings
- 30 twist grip throttle control (throttle twist grip)
- 31 twist grip (gear-change, gearshift)
- 32 clutch lever
- 33 hand brake lever
- 34 speedometer (*coll.* speedo)
- 35 rear-view mirror (mirror)
- 36 front wheel drum brake (drum brake)
- 37 Bowden cables (brake cables)
- 38 stop and tail light unit
- 39 light motorcycle with kickstarter

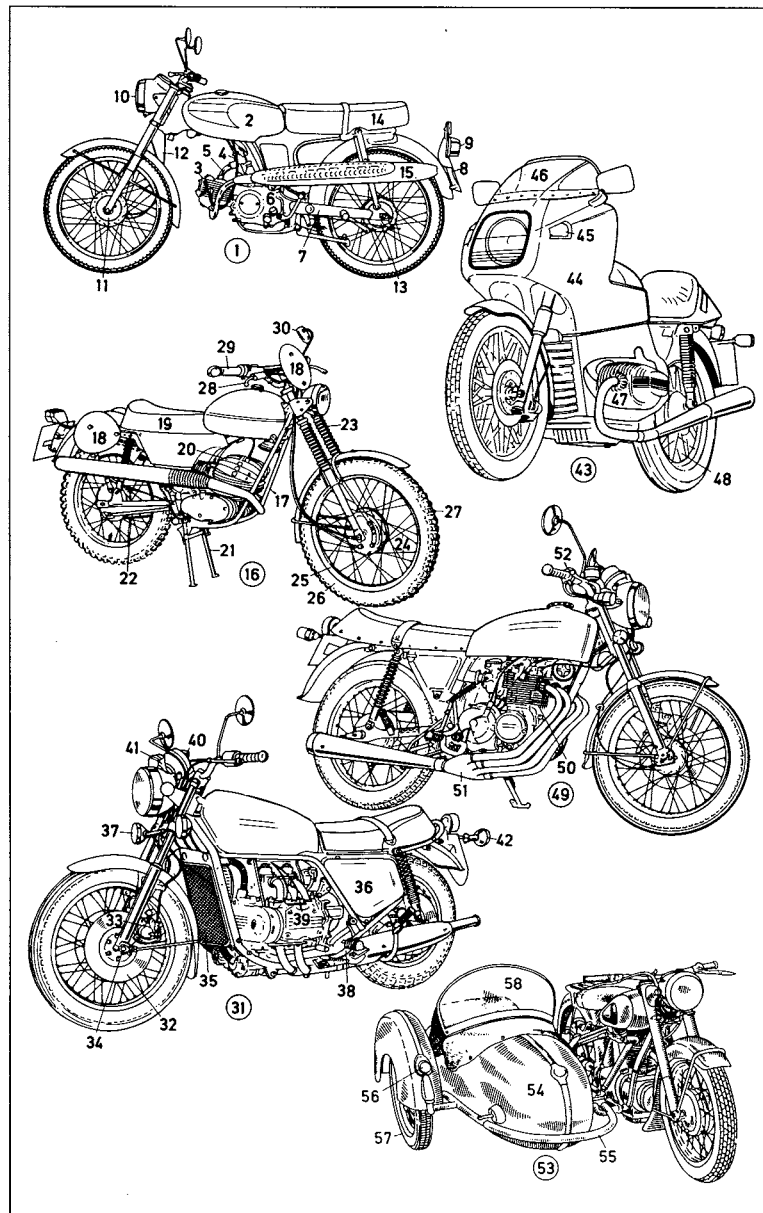
- 40 housing for instruments with speedometer and electronic rev counter (revolution counter)
- 41 telescopic shock absorber
- 42 twin seat
- 43 kickstarter
- 44 pillion footrest, a footrest
- 45 handlebar (handlebars)
- 46 chain guard
- 47 motor scooter (scooter)
- 48 removable side panel
- 49 tubular frame
- 50 metal fairings
- 51 prop stand (stand)
- 52 foot brake
- 53 horn (hooter)
- 54 hook for handbag or briefcase
- 55 foot gear-change control (foot gearshift control)
- 56 high-riser; *sim.*: Chopper
- 57 high-rise handlebar (handlebars)
- 58 imitation motorcycle fork
- 59 banana saddle
- 60 chrome bracket



189 Motorcycle

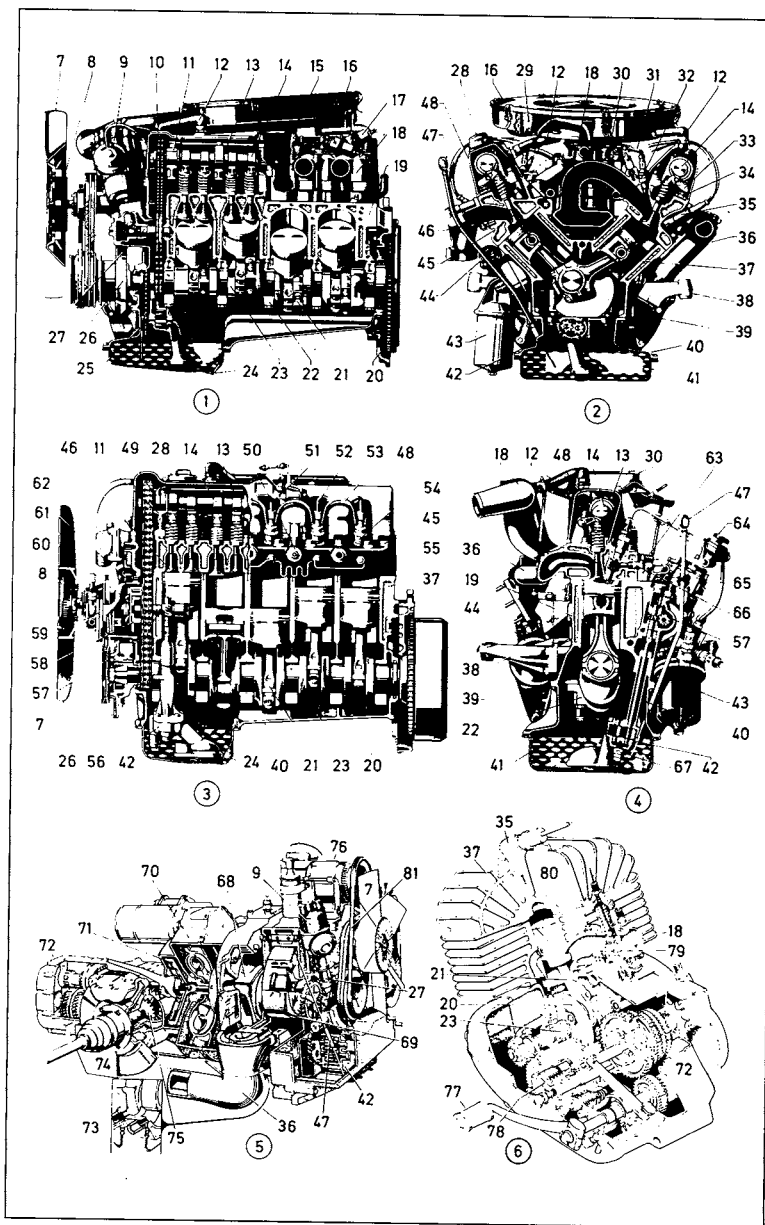
- 1 lightweight motorcycle (light motorcycle) [50 cc]
- 2 fuel tank (petrol tank, *Am.* gasoline tank)
- 3 air-cooled single-cylinder four-stroke engine (with overhead camshaft)
- 4 carburettor (*Am.* carburetor)
- 5 intake pipe
- 6 five-speed gearbox
- 7 swinging-arm rear fork
- 8 number plate (*Am.* license plate)
- 9 stop and tail light (rear light)
- 10 headlight (headlamp)
- 11 front drum brake
- 12 brake cable (brake line), a Bowden cable
- 13 rear drum brake
- 14 racing-style twin seat
- 15 upswept exhaust
- 16 scrambling motorcycle (cross-country motorcycle) [125 cc], a light motorcycle
- 17 lightweight cradle frame
- 18 number disc (disk)
- 19 solo seat
- 20 cooling ribs
- 21 motorcycle stand
- 22 motorcycle chain
- 23 telescopic shock absorber
- 24 spokes
- 25 rim (wheel rim)
- 26 motorcycle tyre (*Am.* tire)
- 27 tyre (*Am.* tire) tread
- 28 gear-change lever (gearshift lever)
- 29 twist grip throttle control (throttle twist grip)
- 30 rear-view mirror (mirror)
- 31-58 heavy (heavyweight, large-capacity) motorcycles
- 31 heavyweight motorcycle with water-cooled engine
- 32 front disc (disk) brake
- 33 disc (disk) brake calliper (caliper)
- 34 floating axle
- 35 water cooler

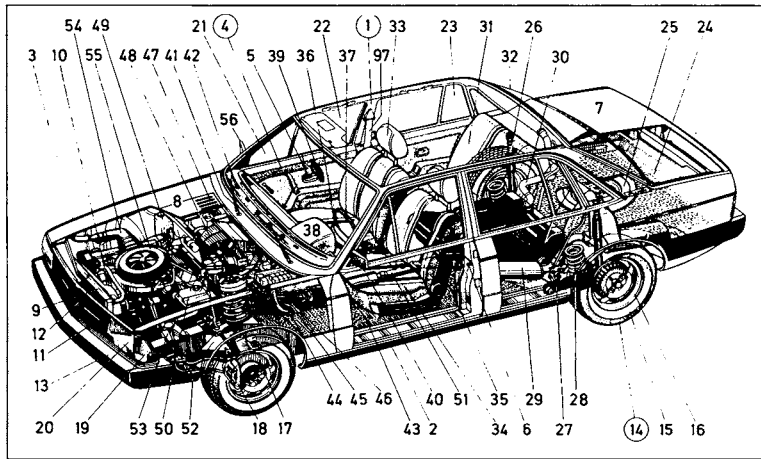
- 36 fuel tank (petrol tank, *Am.* gasoline tank)
- 37 indicator (indicator light, turn indicator light)
- 38 kickstarter
- 39 water-cooled engine
- 40 speedometer
- 41 rev counter (revolution counter)
- 42 rear indicator (indicator light)
- 43 heavy (heavyweight, high-performance) machine with fairing [1000 cc]
- 44 integrated streamlining, an integrated fairing
- 45 indicator (indicator light, turn indicator light)
- 46 anti-mist windscreen (*Am.* windshield)
- 47 horizontally-opposed twin engine with cardan transmission
- 48 light alloy wheel
- 49 four-cylinder machine [400 cc]
- 50 air-cooled four-cylinder four-stroke engine
- 51 four-pipe megaphone exhaust pipe
- 52 electric starter button
- 53 sidecar machine
- 54 sidecar body
- 55 sidecar crash bar
- 56 sidelight (*Am.* sidemarker lamp)
- 57 sidecar wheel
- 58 sidecar windscreen (*Am.* windshield)



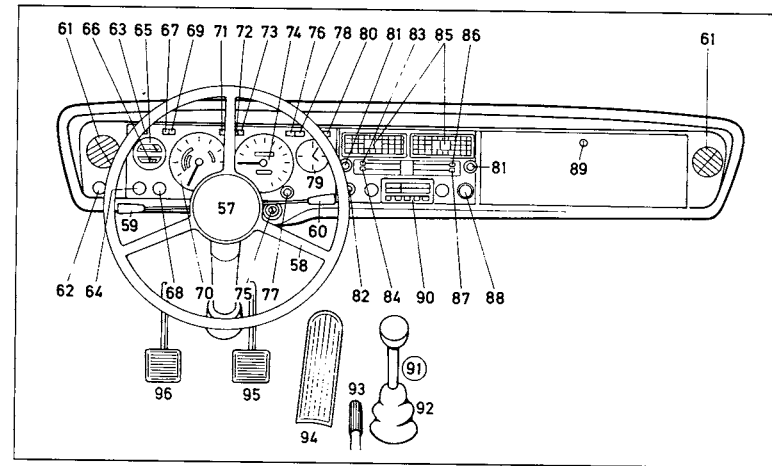
- 1 eight-cylinder V (vee) fuel-injection spark-ignition engine (Otto-cycle engine)
- 2 cross-section of spark-ignition engine (Otto-cycle internal combustion engine)
- 3 sectional view of five-cylinder in-line diesel engine
- 4 cross-section of diesel engine
- 5 two-rotor Wankel engine (rotary engine)
- 6 single-cylinder two-stroke internal combustion engine
- 7 fan
- 8 fan clutch for viscous drive
- 9 ignition distributor (distributor) with vacuum timing control
- 10 double roller chain
- 11 camshaft bearing
- 12 air-bleed duct
- 13 oil pipe for camshaft lubrication
- 14 camshaft, an overhead camshaft
- 15 venturi throat
- 16 intake silencer (absorption silencer, *Am.* absorption muffler)
- 17 fuel pressure regulator
- 18 inlet manifold
- 19 cylinder crankcase
- 20 flywheel
- 21 connecting rod (piston rod)
- 22 cover of crankshaft bearing
- 23 crankshaft
- 24 oil bleeder screw (oil drain plug)
- 25 roller chain of oil pump drive
- 26 vibration damper
- 27 distributor shaft for the ignition distributor (distributor)
- 28 oil filler neck
- 29 diaphragm spring
- 30 control linkage
- 31 fuel supply pipe (*Am.* fuel line)
- 32 fuel injector (injection nozzle)
- 33 rocker arm
- 34 rocker arm mounting
- 35 spark plug (sparking plug) with suppressor
- 36 exhaust manifold
- 37 piston with piston rings and oil scraper ring
- 38 engine mounting
- 39 dog flange (dog)

- 40 crankcase
- 41 oil sump (sump)
- 42 oil pump
- 43 oil filter
- 44 starter motor (starting motor)
- 45 cylinder head
- 46 exhaust valve
- 47 dipstick
- 48 cylinder head cover
- 49 double bushing chain
- 50 warm-up regulator
- 51 tapered needle for idling adjustment
- 52 fuel pressure pipe (fuel pressure line)
- 53 fuel leak line (drip fuel line)
- 54 injection nozzle (spray nozzle)
- 55 heater plug
- 56 thrust washer
- 57 intermediate gear shaft for the injection pump drive
- 58 injection timer unit
- 59 vacuum pump (low-pressure regulator)
- 60 cam for vacuum pump
- 61 water pump (coolant pump)
- 62 cooling water thermostat
- 63 thermo time switch
- 64 fuel hand pump
- 65 injection pump
- 66 glow plug
- 67 oil pressure limiting valve
- 68 rotor
- 69 seal
- 70 torque converter
- 71 single-plate clutch
- 72 multi-speed gearing (multi-step gearing)
- 73 port liners in the exhaust manifold for emission control
- 74 disc (disk) brake
- 75 differential gear (differential)
- 76 generator
- 77 foot gear-change control (foot gearshift control)
- 78 dry multi-plate clutch
- 79 cross-draught (*Am.* cross-draft) carburettor (*Am.* carburetor)
- 80 cooling ribs
- 81 V-belt (fan belt)





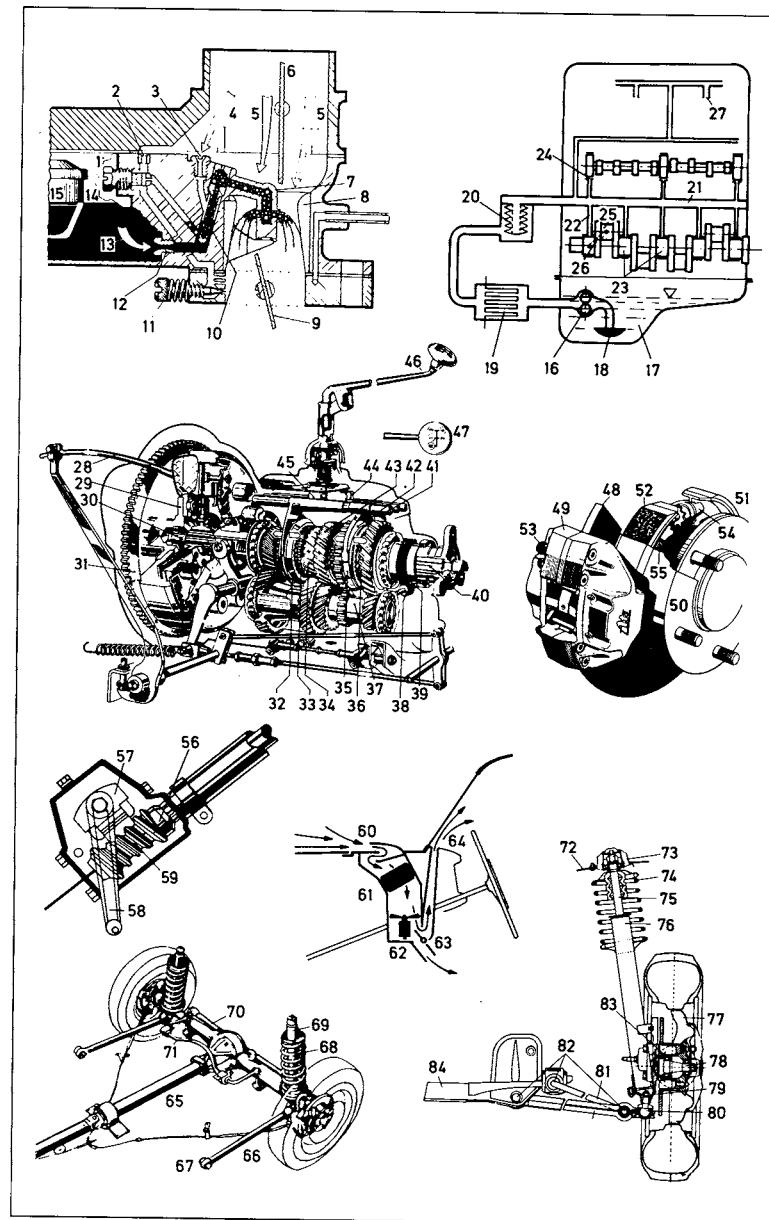
- | | |
|--|--|
| 1-56 motor car (car, Am. automobile, auto), a passenger vehicle | 24 boot (Am. trunk) |
| 1 monocoque body (unitary body) | 25 spare wheel |
| 2 chassis, the understructure of the body | 26 damper (shock absorber) |
| 3 front wing (Am. front fender) | 27 trailing arm |
| 4 car door | 28 coil spring |
| 5 door handle | 29 silencer (Am. muffler) |
| 6 door lock | 30 automatic ventilation system |
| 7 boot lid (Am. trunk lid) | 31 rear seats |
| 8 bonnet (Am. hood) | 32 rear window |
| 9 radiator | 33 adjustable headrest (head restraint) |
| 10 cooling water pipe | 34 driver's seat, a reclining seat |
| 11 radiator grill | 35 reclining backrest |
| 12 badging | 36 passenger seat |
| 13 rubber-covered front bumper (Am. front fender) | 37 steering wheel |
| 14 car wheel, a disc (disk) wheel | 38 centre (Am. center) console containing speedometer (coll. speedo), revolution counter (rev counter, tachometer), clock, fuel gauge (Am. gage), water temperature gauge, oil temperature gauge |
| 15 car tyre (Am. automobile tire) | 39 inside rear-view mirror |
| 16 rim (wheel rim) | 40 left-hand wing mirror |
| 17-18 disc (disk) brake | 41 windscreen wiper (Am. windshield wiper) |
| 17 brake disc (disk) (braking disc) | 42 defroster vents |
| 18 calliper (caliper) | 43 carpeting |
| 19 front indicator light (front turn indicator light) | 44 clutch pedal (coll. clutch) |
| 20 headlight (headlamp) with main beam (high beam), dipped beam (low beam), sidelight (side lamp, Am. sidemarker lamp) | 45 brake pedal (coll. brake) |
| 21 windscreen (Am. windshield), a panoramic windscreen | 46 accelerator pedal (coll. accelerator) |
| 22 crank-operated car window | 47 inlet vent |
| 23 quarter light (quarter vent) | 48 blower fan |
| | 49 brake fluid reservoir |



- | | |
|---|---|
| 50 battery | 76 warning lights for turn indicators and hazard flashers |
| 51 exhaust pipe | 77 switch for the courtesy light and reset button for the trip mileage recorder |
| 52 front running gear with front wheel drive | 78 ammeter |
| 53 engine mounting | 79 electric clock |
| 54 intake silencer (Am. intake muffler) | 80 warning light for heated rear window |
| 55 air filter (air cleaner) | 81 switch for the leg space ventilation |
| 56 right-hand wing mirror | 82 rear window heating switch |
| 57-90 dashboard (fascia panel) | 83 ventilation switch |
| 57 controlled-collapse steering column | 84 temperature regulator |
| 58 steering wheel spoke | 85 fresh-air inlet and control |
| 59 indicator and dimming switch | 86 fresh-air regulator |
| 60 wiper/washer switch and horn | 87 warm-air regulator |
| 61 side window blower | 88 cigar lighter |
| 62 sidelight, headlight, and parking light switch | 89 glove compartment (glove box) lock |
| 63 fog lamp warning light | 90 car radio |
| 64 fog headlamp and rear lamp switch | 91 gear lever (gearshift lever), a floor-type gear-change |
| 65 fuel gauge (Am. gage) | 92 leather gaiter |
| 66 water temperature gauge (Am. gage) | 93 hand brake lever |
| 67 warning light for rear fog lamp | 94 accelerator pedal |
| 68 hazard flasher switch | 95 brake pedal |
| 69 main beam warning light | 96 clutch pedal |
| 70 electric rev counter (revolution counter) | 97 seat belt (safety belt) |
| 71 fuel warning light | |
| 72 warning light for the hand brake and dual-circuit brake system | |
| 73 oil pressure warning light | |
| 74 speedometer (coll. speedo) with trip mileage recorder | |
| 75 starter and steering lock | |

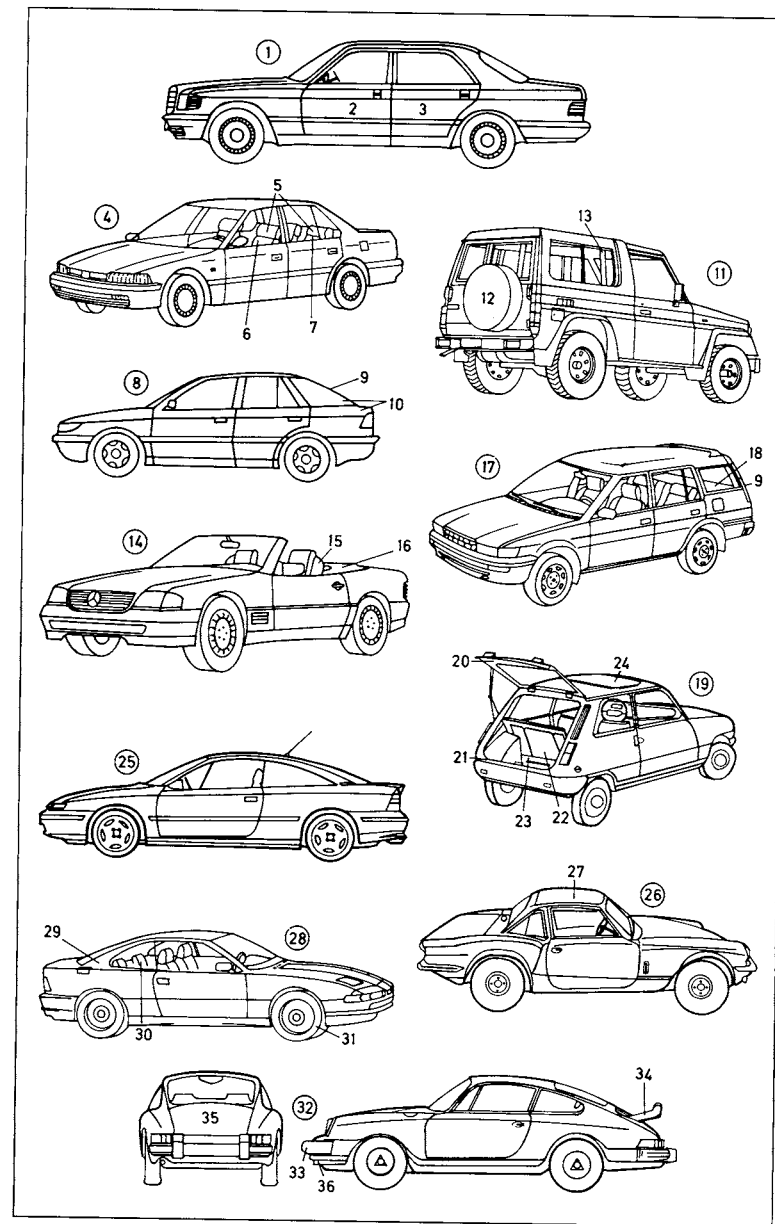
- 1-15 carburettor** (*Am.* carburetor), a down-draught (*Am.* down-draft) carburettor
- 1 idling jet (slow-running jet)
 - 2 idling air jet (idle air bleed)
 - 3 air correction jet
 - 4 compensating airstream
 - 5 main airstream
 - 6 choke flap
 - 7 plunger
 - 8 venturi
 - 9 throttle valve (butterfly valve)
 - 10 emulsion tube
 - 11 idle mixture adjustment screw
 - 12 main jet
 - 13 fuel inlet (*Am.* gasoline inlet) (inlet manifold)
 - 14 float chamber
 - 15 float
- 16-27 pressure-feed lubricating system**
- 16 oil pump
 - 17 oil sump
 - 18 sump filter
 - 19 oil cooler
 - 20 oil filter
 - 21 main oil gallery (drilled gallery)
 - 22 crankshaft drilling (crankshaft tributary, crankshaft bleed)
 - 23 crankshaft bearing (main bearing)
 - 24 camshaft bearing
 - 25 connecting-rod bearing
 - 26 gudgeon pin (piston pin)
 - 27 bleed
- 28-47 four-speed synchromesh gearbox**
- 28 clutch pedal
 - 29 crankshaft
 - 30 drive shaft (propeller shaft)
 - 31 starting gear ring
 - 32 sliding sleeve for 3rd and 4th gear
 - 33 synchronizing cone
 - 34 helical gear wheel for 3rd gear
 - 35 sliding sleeve for 1st and 2nd gear
 - 36 helical gear wheel for 1st gear
 - 37 lay shaft
 - 38 speedometer drive
 - 39 helical gear wheel for speedometer drive
 - 40 main shaft
 - 41 gearshift rods
 - 42 selector fork for 1st and 2nd gear
 - 43 helical gear wheel for 2nd gear

- 44 selector head with reverse gear
 - 45 selector fork for 3rd and 4th gear
 - 46 gear lever (gearshift lever)
 - 47 gear-change pattern (gearshift pattern, shift pattern)
- 48-55 disc (disk) brake** [assembly]
- 48 brake disc (disk) (braking disc)
 - 49 calliper (caliper), a fixed calliper with friction pads
 - 50 servo cylinder (servo unit)
 - 51 brake shoes
 - 52 brake lining
 - 53 outlet to brake line
 - 54 wheel cylinder
 - 55 return spring
- 56-59 steering gear** (worm-and-nut steering gear)
- 56 steering column
 - 57 worm gear sector
 - 58 steering drop arm
 - 59 worm
- 60-64 water-controlled heater**
- 60 air intake
 - 61 heat exchanger (heater box)
 - 62 blower fan
 - 63 flap valve
 - 64 defroster vent
- 65-71 live axle** (rigid axle)
- 65 propeller shaft
 - 66 trailing arm
 - 67 rubber bush
 - 68 coil spring
 - 69 damper (shock absorber)
 - 70 Panhard rod
 - 71 stabilizer bar
- 72-84 MacPherson strut unit**
- 72 body-fixing plate
 - 73 upper bearing
 - 74 suspension spring
 - 75 piston rod
 - 76 suspension damper
 - 77 rim (wheel rim)
 - 78 stub axle
 - 79 steering arm
 - 80 track-rod ball-joint
 - 81 trailing link arm
 - 82 bump rubber (rubber bonding)
 - 83 lower bearing
 - 84 lower suspension arm

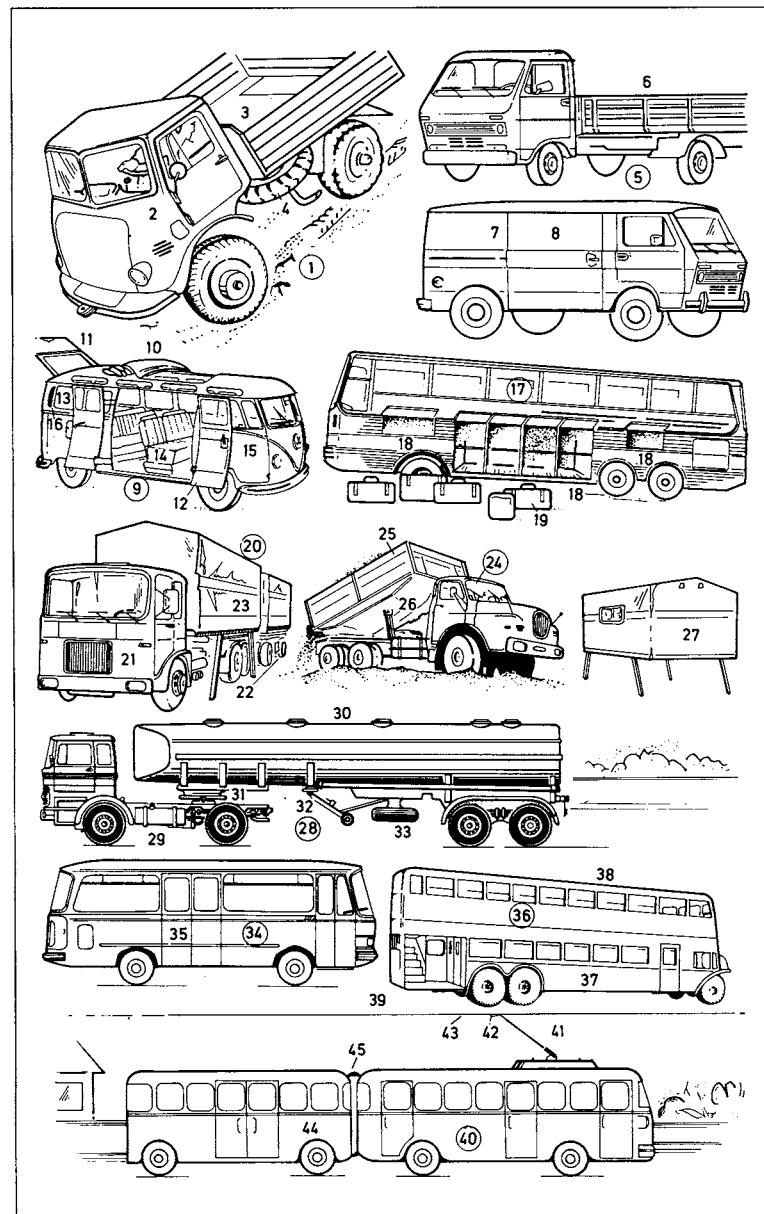


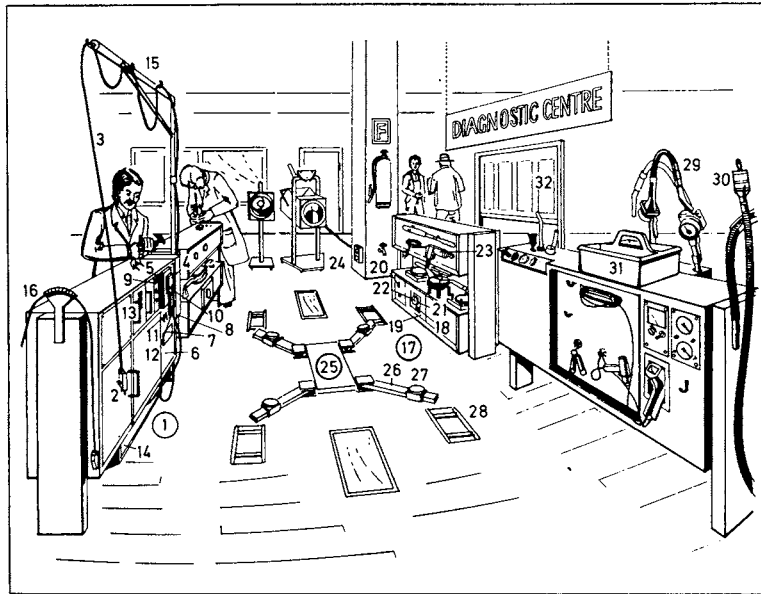
- 1-36 car models (Am. automobile models)
- 1 four-door touring saloon (Am. four-door sedan) in the upper-middle range
- 2 driver's door
- 3 rear door
- 4-10 four-door saloon (Am. four-door sedan) and four-door hatchback in the middle range
- 4 saloon (Am. sedan)
- 5 headrests (head restraints)
- 6 front seat
- 7 rear seat (back seat)
- 8 fastback saloon (Am. fastback sedan) (stubback saloon, Am. stubback sedan)
- 9 tailgate
- 10 fastback (stubback)
- 11 cross-country vehicle with all-wheel drive (four-wheel drive)
- 12 spare wheel
- 13 roll bar
- 14 cabriolet sports coupé (cabriolet sports car)
- 15 integral seat
- 16 automatic hood (Am. top) (power-operated hood, Am. top)
- 17 estate car (estate, shooting brake, Am. station wagon)
- 18 boot space (luggage compartment)
- 19 small three-door car
- 20 back (tailgate)
- 21 sill
- 22 folding back seat
- 23 boot (luggage compartment, Am. trunk)
- 24 (sliding) sunroof (steel sliding sunroof)
- 25 three-door hatchback
- 26 roadster (sports cabrio, sports cabriolet), a two-seater
- 27 hard top
- 28 sports coupé, a two-plus-two (two-seater with occasional seats)
- 29 fastback
- 30 occasional seat

- 31 low-profile tyre (Am. tire) (wide wheel)
- 32 gran turismo car (GT car)
- 33 integral bumper (Am. integral fender)
- 34 rear spoiler
- 35 back
- 36 front spoiler

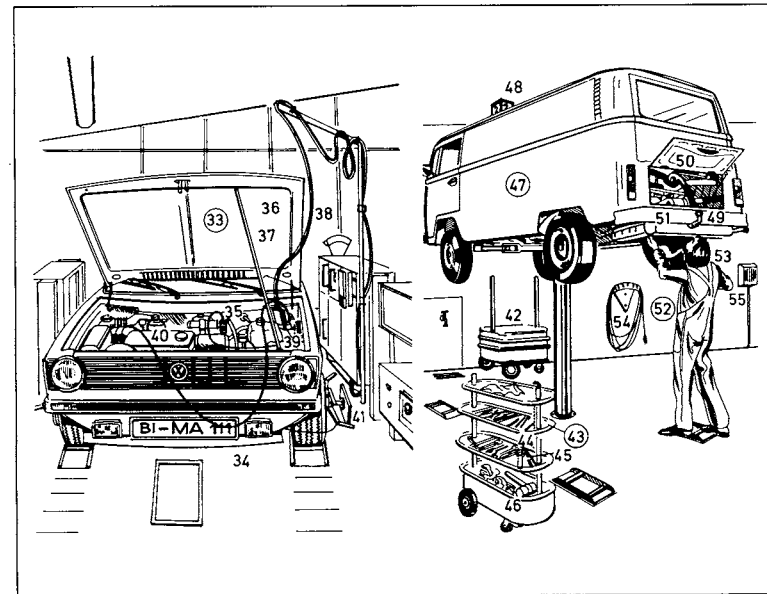


- 1 light cross-country lorry (light truck, pick-up truck) with all-wheel drive (four-wheel drive)
- 2 cab (driver's cab)
- 3 loading platform (body)
- 4 spare tyre (Am. spare tire), a cross-country tyre
- 5 light lorry (light truck, pick-up truck)
- 6 platform truck
- 7 medium van
- 8 sliding side door [for loading and unloading]
- 9 minibus
- 10 folding top (sliding roof)
- 11 rear door
- 12 hinged side door
- 13 luggage compartment
- 14 passenger seat
- 15 cab (driver's cab)
- 16 air inlet
- 17 motor coach (coach, bus)
- 18 luggage locker
- 19 hand luggage (suitcase, case)
- 20 heavy lorry (heavy truck, heavy motor truck)
- 21 tractive unit (tractor, towing vehicle)
- 22 trailer (drawbar trailer)
- 23 swop platform (body)
- 24 three-way tipper (three-way dump truck)
- 25 tipping body (dump body)
- 26 hydraulic cylinder
- 27 supported container platform
- 28 articulated vehicle, a vehicle tanker
- 29 tractive unit (tractor, towing vehicle)
- 30-33 semi-trailer (skeletal)
- 30 tank
- 31 turntable
- 32 undercarriage
- 33 spare wheel
- 34 midi bus [for short-route town operations]
- 35 outward-opening doors
- 36 double-deck bus (double-decker bus)
- 37 lower deck (lower saloon)
- 38 upper deck (upper saloon)
- 39 boarding platform
- 40 trolley bus
- 41 current collector
- 42 trolley (trolley shoe)
- 43 overhead wires
- 44 trolley bus trailer
- 45 pneumatically sprung rubber connection

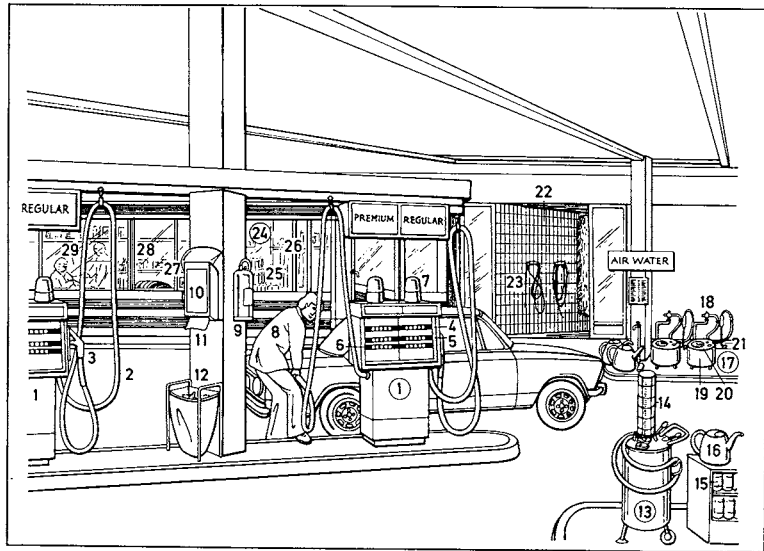




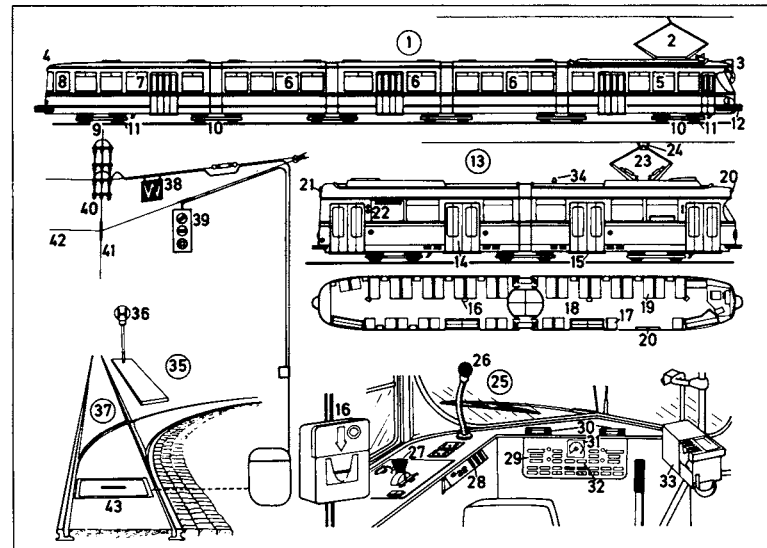
- | | |
|--|--|
| 1-55 agent's garage (distributor's garage, Am. specialty shop) | 18 right-hand optic plate |
| 1-23 diagnostic test bay | 19 actuating transistors |
| 1 computer | 20 projector switch |
| 2 main computer socket | 21 check light for wheel alignment, a row of photocells |
| 3 computer harness (computer cable) | 22 check light for steering alignment, a row of photocells |
| 4 switch from automatic to manual | 23 power screwdriver |
| 5 slot for program cards | 24 beam setter |
| 6 printout machine (printer) | 25 hydraulic lift |
| 7 condition report (data printout) | 26 adjustable arm of hydraulic lift |
| 8 master selector (hand control) | 27 hydraulic lift pad |
| 9 light read-out [green: OK; red: not OK] | 28 excavation |
| 10 rack for program cards | 29 pressure gauge (Am. gage) |
| 11 mains button | 30 grease gun |
| 12 switch for fast readout | 31 storage box for small parts |
| 13 firing sequence insert | 32 wall chart [of spare parts] |
| 14 shelf for used cards | |
| 15 cable boom | |
| 16 oil temperature sensor | |
| 17 test equipment for wheel and steering alignment | |



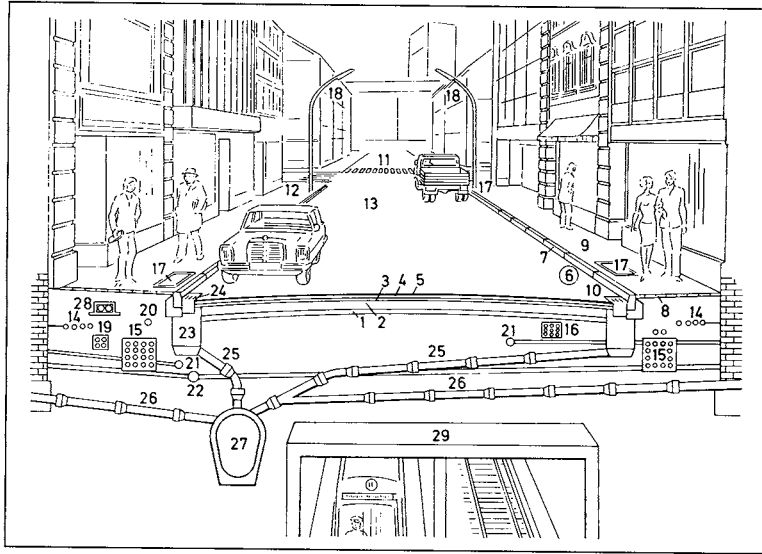
- | | |
|---|---|
| 33 automatic computer test | 48 car location number |
| 34 motor car (car, Am. automobile, auto), a passenger vehicle | 49 rear engine |
| 35 engine compartment | 50 tailgate |
| 36 bonnet (Am. hood) | 51 exhaust system |
| 37 bonnet support (Am. hood support) | 52 exhaust repair |
| 38 computer harness (computer cable) | 53 motor car mechanic (motor vehicle mechanic, Am. automotive mechanic) |
| 39 main computer socket | 54 air hose |
| 40 oil temperature sensor | 55 intercom |
| 41 wheel mirror for visual wheel and steering alignment | |
| 42 tool trolley | |
| 43 tools | |
| 44 impact wrench | |
| 45 torque wrench | |
| 46 body hammer (roughing-out hammer) | |
| 47 vehicle under repair, a minibus | |



- 1-29 service station (petrol station, filling station, *Am.* gasoline station, gas station), a self-service station
- 1 petrol (*Am.* gasoline) pump (blending pump) for unleaded (lead-free) premium grade and regular petrol (*Am.* gasoline) (*sim.*: for derv)
- 2 hose (petrol pump, *Am.* gasoline pump, hose)
- 3 nozzle
- 4 cash readout
- 5 volume readout
- 6 price display
- 7 indicator light
- 8 driver using self-service petrol pump (*Am.* gasoline pump)
- 9 fire extinguisher
- 10 paper-towel dispenser
- 11 paper towel
- 12 litter receptacle
- 13 two-stroke blending pump
- 14 meter
- 15 engine oil
- 16 oil can
- 17 tyre pressure gauge (*Am.* tire pressure gage)
- 18 air hose
- 19 static air tank
- 20 pressure gauge (*Am.* gage) (manometer)
- 21 air filler neck
- 22 repair bay (repair shop)
- 23 car-wash hose, a hose (hosepipe)
- 24 accessory shop
- 25 petrol can (*Am.* gasoline can)
- 26 rain cape
- 27 car tyres (*Am.* automobile tires)
- 28 car accessories
- 29 cash desk (console)



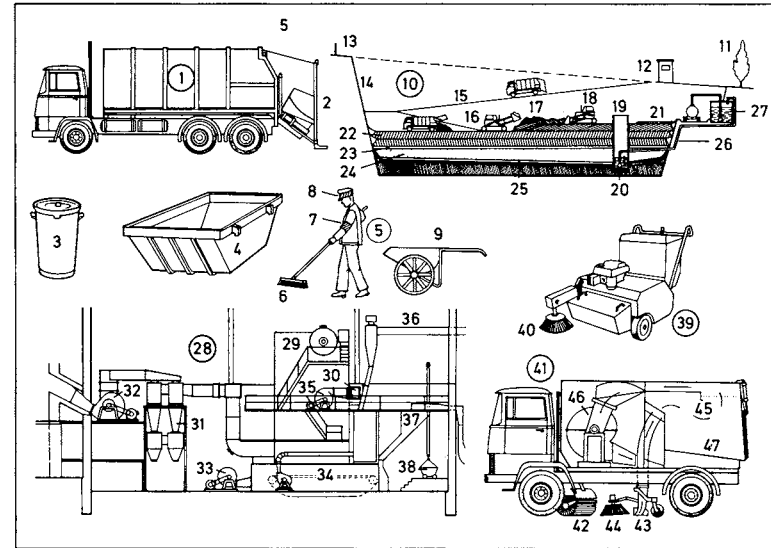
- 1 twelve-axle articulated railcar for interurban rail service
- 2 current collector
- 3 head of the railcar
- 4 rear of the railcar
- 5 carriage A containing the motor
- 6 carriage B (*also*: carriages C and D)
- 7 carriage E containing the motor
- 8 rear controller
- 9 driving bogie
- 10 carrying bogie
- 11 wheel guard
- 12 bumper (*Am.* fender)
- 13 six-axle articulated railcar ('Mannheim' type) for tram (*Am.* streetcar, trolley) and urban rail services
- 14 entrance and exit door, a double folding door
- 15 step
- 16 ticket-cancelling machine
- 17 single seat
- 18 standing room portion
- 19 double seat
- 20 route (number) and destination sign
- 21 route sign (number sign)
- 22 indicator (indicator light)
- 23 pantograph (current collector)
- 24 carbon or aluminium (*Am.* aluminum) alloy trolley shoes
- 25 driver's position
- 26 microphone
- 27 controller
- 28 radio equipment (radio communication set)
- 29 dashboard
- 30 dashboard lighting
- 31 speedometer
- 32 buttons controlling doors, windscreen wipers, internal and external lighting
- 33 ticket counter with change machine
- 34 radio antenna
- 35 tram stop (*Am.* streetcar stop, trolley stop)
- 36 tram stop sign (*Am.* streetcar stop sign, trolley stop sign)
- 37 electric change points
- 38 points signal (switch signal)
- 39 points change indicator
- 40 trolley wire contact point
- 41 trolley wire (overhead contact wire)
- 42 overhead cross wire
- 43 electric (*also*: electrohydraulic, electromechanical) points mechanism



1-5 road layers

- 1 anti-frost layer
- 2 bituminous sub-base course
- 3 base course
- 4 binder course
- 5 bituminous surface
- 6 kerb (curb)
- 7 kerbstone (curbstone)
- 8 paving (pavement)
- 9 pavement (*Am.* sidewalk, walkway)
- 10 gutter
- 11 pedestrian crossing (zebra crossing, *Am.* crosswalk)
- 12 street corner
- 13 street
- 14 electricity cables
- 15 telephone cables
- 16 telephone cable pipeline
- 17 cable manhole with cover (with manhole cover)
- 18 lamp post with lamp
- 19 electricity cables for technical installations

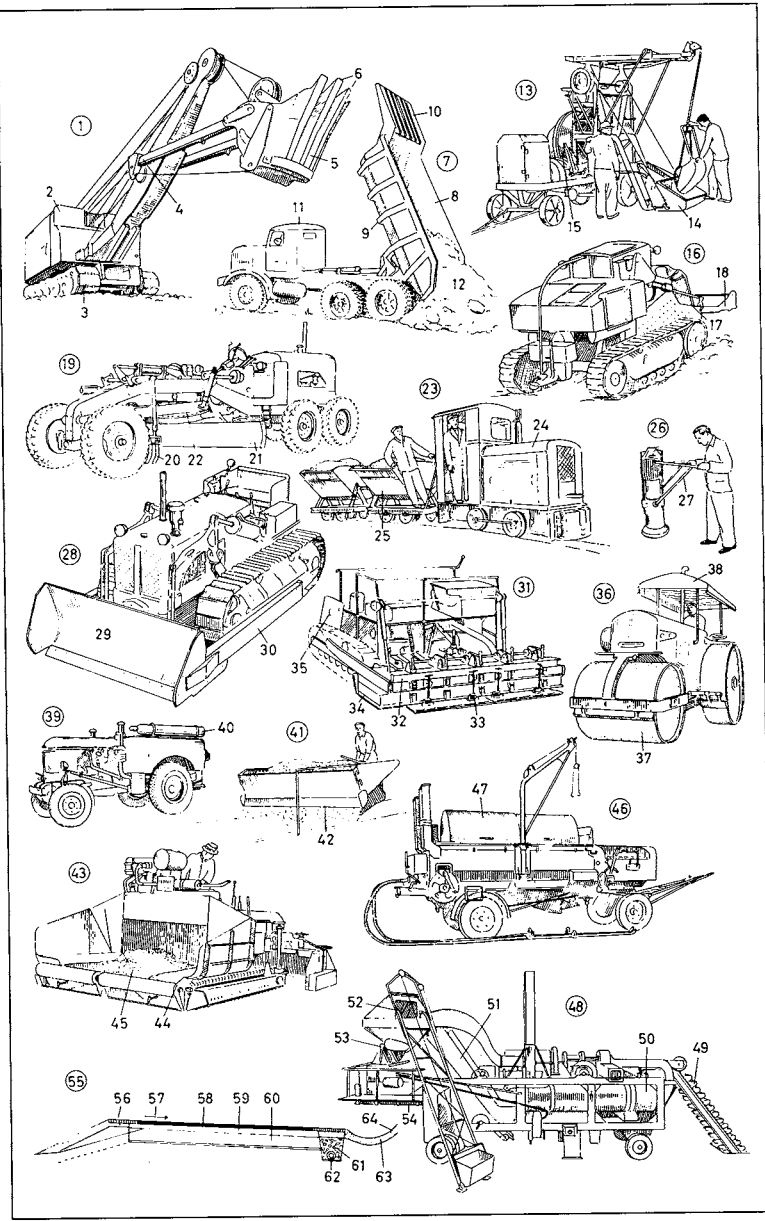
- 20 subscribers' (*Am.* customers') telephone lines
- 21 gas main
- 22 water main
- 23 drain
- 24 drain cover
- 25 drain pipe
- 26 waste pipe
- 27 combined sewer
- 28 district heating main
- 29 underground tunnel

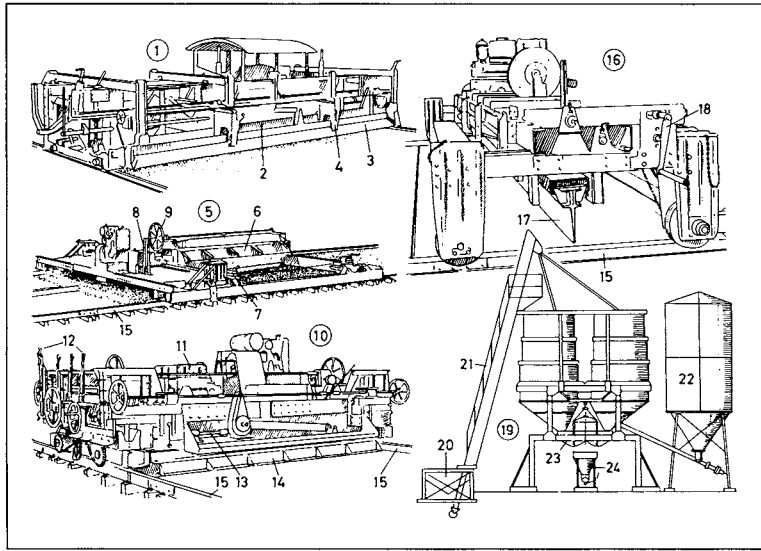


- 1 refuse collection vehicle (*Am.* garbage truck)
- 2 dustbin-tipping device (*Am.* garbage can dumping device), a dust-free emptying system
- 3 dustbin (*Am.* garbage can, trash can)
- 4 refuse container (*Am.* garbage container)
- 5 road sweeper (*Am.* street sweeper)
- 6 broom
- 7 fluorescent armband
- 8 cap with fluorescent band
- 9 road sweeper's (*Am.* street sweeper's) barrow
- 10 controlled tip (*Am.* sanitary landfill, sanitary fill)
- 11 screen
- 12 weigh office
- 13 fence
- 14 embankment
- 15 access ramp
- 16 bulldozer
- 17 refuse (*Am.* garbage)
- 18 bulldozer for dumping and compacting
- 19 pump shaft
- 20 waste water pump
- 21 porous cover
- 22 compacted and decomposed refuse
- 23 gravel filter layer
- 24 morainic filter layer
- 25 drainage layer
- 26 drain pipe
- 27 water tank
- 28 refuse (*Am.* garbage) incineration unit
- 29 furnace
- 30 oil-firing system
- 31 separation plant
- 32 extraction fan
- 33 low-pressure fan for the grate
- 34 continuous feed grate
- 35 fan for the oil-firing system
- 36 conveyor for separately incinerated material
- 37 coal feed conveyor
- 38 truck for carrying fuller's earth
- 39 mechanical sweeper
- 40 circular broom
- 41 road-sweeping lorry (*street-cleaning lorry, street cleaner*)
- 42 cylinder broom
- 43 suction port
- 44 feeder broom
- 45 air flow
- 46 fan
- 47 dust collector

- 1-54 road-building machinery
- 1 shovel (power shovel, excavator)
- 2 machine housing
- 3 caterpillar mounting (*Am.* caterpillar tractor)
- 4 digging bucket arm (dipper stick)
- 5 digging bucket (bucket)
- 6 digging bucket (bucket) teeth
- 7 tipper (dump truck), a heavy lorry (*Am.* truck)
- 8 tipping body (*Am.* dump body)
- 9 reinforcing rib
- 10 extended front
- 11 cab (driver's cab)
- 12 bulk material
- 13 concrete scraper, an aggregate scraper
- 14 skip hoist
- 15 mixing drum (mixer drum), a mixing machine
- 16 caterpillar hauling scraper
- 17 scraper blade
- 18 levelling (*Am.* leveling) blade (smoothing blade)
- 19 grader (motor grader)
- 20 scarifier (ripper, road ripper, rooter)
- 21 grader levelling (*Am.* leveling) blade (grader ploughshare, *Am.* plowshare)
- 22 blade-slewing gear (slew turntable)
- 23 light railway (narrow-gauge, *Am.* narrow-gauge, railway)
- 24 light railway (narrow-gauge, *Am.* narrow-gauge) diesel locomotive
- 25 trailer wagon (wagon truck, skip)
- 26 tamper (rammer) *heavier: frog*
- 27 guide rods
- 28 bulldozer
- 29 bulldozer blade
- 30 pushing frame
- 31 road-metal spreading machine (macadam spreader, stone spreader)
- 32 tamping beam
- 33 sole-plate
- 34 side stop
- 35 side of storage bin

- 36 three-wheeled roller, a road roller
- 37 roller
- 38 all-weather roof
- 39 mobile diesel-powered air compressor
- 40 oxygen cylinder
- 41 self-propelled gritter
- 42 spreading flap
- 43 surface finisher
- 44 side stop
- 45 bin
- 46 tar-spraying machine (bituminous distributor) with tar and bitumen heater
- 47 tar storage tank
- 48 fully automatic asphalt drying and mixing plant
- 49 bucket elevator (elevating conveyor)
- 50 asphalt-mixing drum (asphalt mixer drum)
- 51 filler hoist
- 52 filler opening
- 53 binder injector
- 54 mixed asphalt outlet
- 55 typical cross-section of a bituminous road
- 56 grass verge
- 57 crossfall
- 58 asphalt surface (bituminous layer, bituminous coating)
- 59 base (base course)
- 60 hardcore sub-base course (Telford base) or gravel sub-base course, an anti-frost layer
- 61 sub-drainage
- 62 perforated cement pipe
- 63 drainage ditch
- 64 soil covering

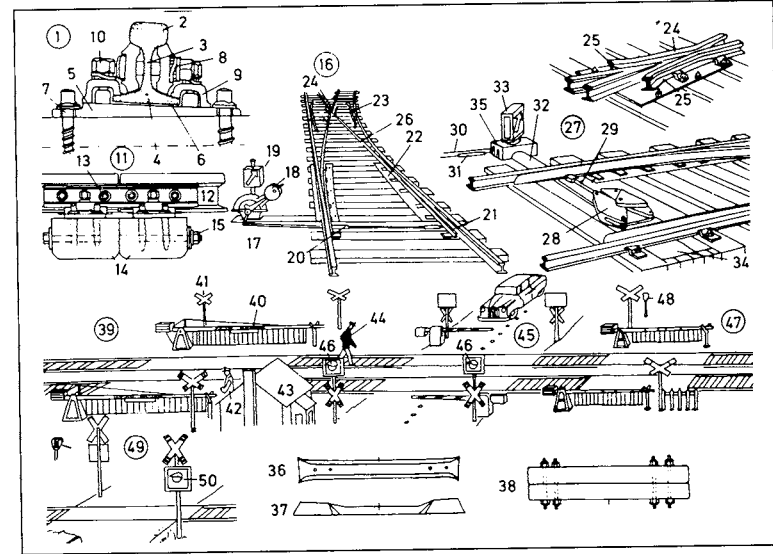




1-24 concrete road construction
(highway construction)

- 1 subgrade grader
- 2 tamping beam (consolidating beam)
- 3 levelling (*Am.* leveling) beam
- 4 roller guides for the levelling (*Am.* leveling) beam
- 5 concrete spreader
- 6 concrete spreader box
- 7 cable guides
- 8 control levers
- 9 handwheel for emptying the boxes
- 10 concrete-vibrating compactor
- 11 gearing (gears)
- 12 control levers (operating levers)
- 13 axle drive shaft to vibrators (tamper) of vibrating beam
- 14 screeding board (screeding beam)
- 15 road form
- 16 joint cutter
- 17 joint-cutting blade
- 18 crank for propelling machine

- 19 concrete-mixing plant, a stationary central mixing plant, an automatic batching and mixing plant
- 20 collecting bin
- 21 bucket elevator
- 22 cement store
- 23 concrete mixer
- 24 concrete pump hopper



1-38 line (track)

- 1 rail
- 2 rail head
- 3 web (rail web)
- 4 rail foot (rail bottom)
- 5 sole-plate (base plate)
- 6 cushion
- 7 coach screw (coach bolt)
- 8 lock washers (spring washers)
- 9 rail clip (clip)
- 10 T-head bolt
- 11 rail joint (joint)
- 12 fishplate
- 13 fishbolt
- 14 coupled sleeper (*Am.* coupled tie, coupled crosstie)
- 15 coupling bolt
- 16 manually-operated points (manually-operated switch)
- 17 switch stand
- 18 weight
- 19 points signal (switch signal, points signal lamp, switch signal lamp)
- 20 pull rod
- 21 switch blade (switch tongue)
- 22 slide chair
- 23 check rail (guard rail)
- 24 frog
- 25 wing rail
- 26 closure rail
- 27 remote-controlled points (remote-controlled switch)

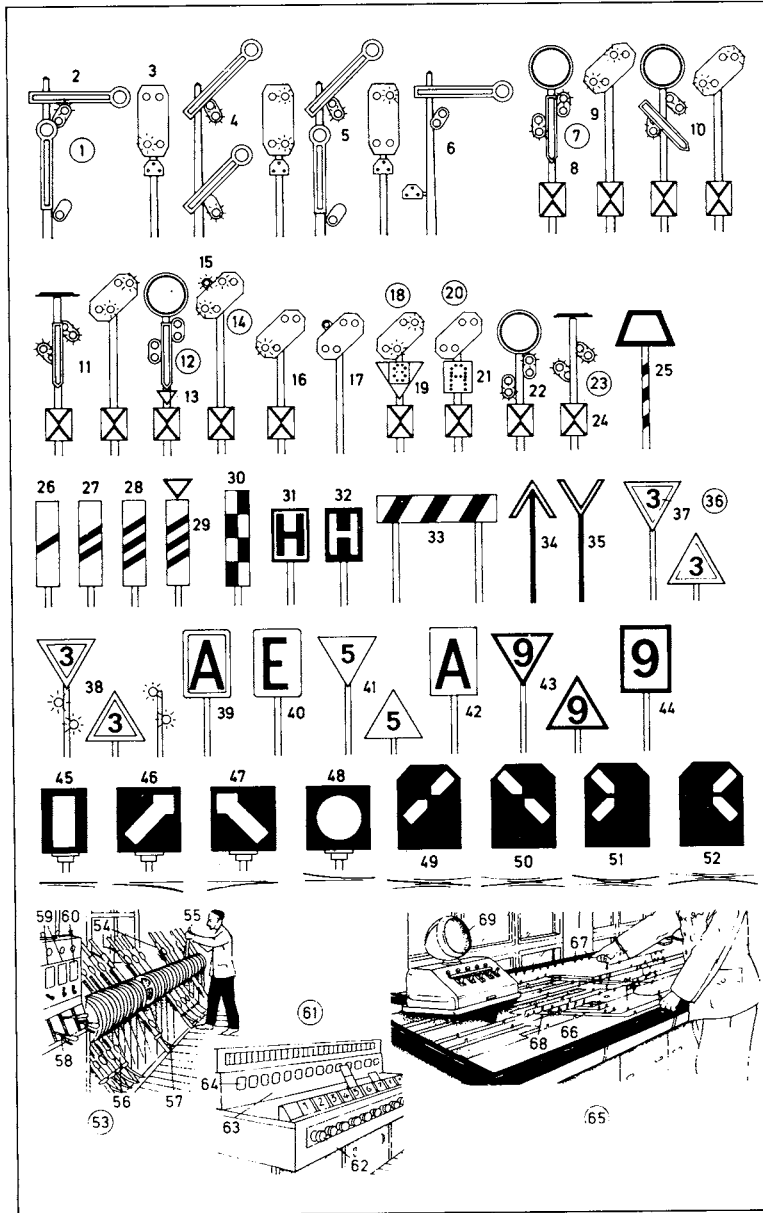
- 28 point lock (switch lock)
- 29 stretcher bar
- 30 point wire
- 31 turnbuckle
- 32 channel
- 33 electrically illuminated points signal (switch signal)
- 34 trough
- 35 points motor with protective casing
- 36 steel sleeper (*Am.* steel tie, steel crosstie)
- 37 concrete sleeper (*Am.* concrete tie, concrete crosstie)
- 38 coupled sleeper (*Am.* coupled tie, coupled crosstie)
- 39-50 level crossings (*Am.* grade crossings)
- 39 protected level crossing (*Am.* protected grade crossing)
- 40 barrier (gate)
- 41 warning cross (*Am.* crossbuck)
- 42 crossing keeper (*Am.* gateman)
- 43 crossing keeper's box (*Am.* gateman's box)
- 44 linesman (*Am.* trackwalker)
- 45 half-barrier crossing
- 46 warning light
- 47 intercom-controlled crossing; *sim.*: telephone-controlled crossing
- 48 intercom system
- 49 unprotected level crossing (*Am.* unprotected grade crossing)
- 50 warning light

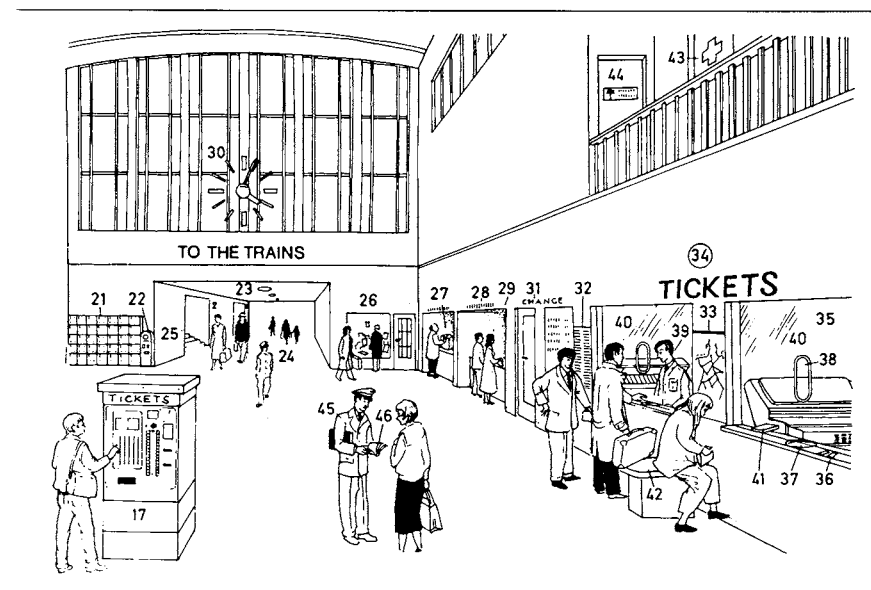
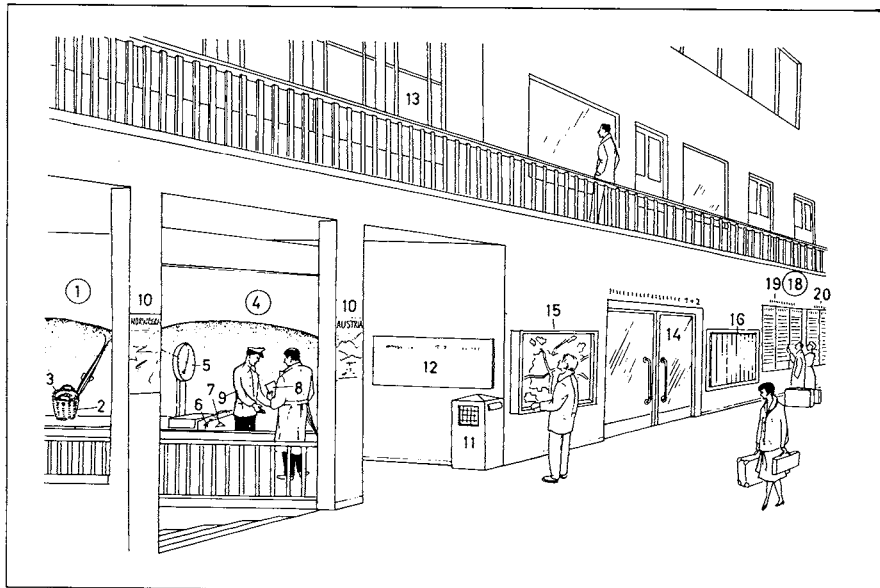
(Signalling Equipment)

- 1-6 stop signals (main signals)
- 1 stop signal (main signal), a semaphore signal in 'stop' position
- 2 signal arm (semaphore arm)
- 3 electric stop signal (colour light, Am. color light, signal) at 'stop'
- 4 signal position: 'proceed at low speed'
- 5 signal position: 'proceed'
- 6 substitute signal
- 7-24 distant signals
- 7 semaphore signal at 'be prepared to stop at next signal'
- 8 supplementary semaphore arm
- 9 colour light (Am. color light) distant signal at 'be prepared to stop at next signal'
- 10 signal position: 'be prepared to proceed at low speed'
- 11 signal position: 'proceed main signal ahead'
- 12 semaphore signal with indicator plate showing a reduction in braking distance of more than 5%
- 13 triangle (triangle sign)
- 14 colour light (Am. color light) distant signal with indicator light for showing reduced braking distance
- 15 supplementary white light
- 16 distant signal indicating 'be prepared to stop at next signal' (yellow light)
- 17 second distant signal (distant signal with supplementary light, without indicator plate)
- 18 distant signal with speed indicator
- 19 distant speed indicator
- 20 distant signal with route indicator
- 21 route indicator
- 22 distant signal without supplementary arm in position: 'be prepared to stop at next signal'
- 23 distant signal without supplementary arm in 'be prepared to proceed' position
- 24 distant signal identification plate
- 25-44 supplementary signals
- 25 stop board for indicating the stopping point at a control point
- 26-29 approach signs
- 26 approach sign 100 m from distant signal
- 27 approach sign 175 m from distant signal
- 28 approach sign 250 m from distant signal
- 29 approach sign at a distance of 5% less than the braking distance on the section
- 30 chequered sign indicating stop signals (main signals) not positioned immediately to the right of or over the line (track)
- 31, 32 stop boards to indicate the stopping point of the front of the train

- 33 stop board indicating 'be prepared to stop'
- 34, 35 snow plough (Am. snowplow) signs
- 34 'raise snow plough (Am. snowplow)' sign
- 35 'lower snow plough (Am. snowplow)' sign
- 36-44 speed restriction signs
- 36-38 speed restriction sign [maximum speed $3 \times 10 = 30$ kph]
- 36 sign for day running
- 37 speed code number
- 38 illuminated sign for night running
- 39 commencement of temporary speed restriction
- 40 termination of temporary speed restriction
- 41 speed restriction sign for a section with a permanent speed restriction [maximum speed $5 \times 10 = 50$ kph]
- 42 commencement of permanent speed restriction
- 43 speed restriction warning sign [only on main lines]
- 44 speed restriction sign [only on main lines]
- 45-52 point signals (switch signals)
- 45-48 single points (single switches)
- 45 route straight ahead (main line)
- 46 [right] branch
- 47 [left] branch
- 48 branch [seen from the frog]
- 49-52 double crossover
- 49 route straight ahead from left to right
- 50 route straight ahead from right to left
- 51 turnout to the left from the left
- 52 turnout to the right from the right
- 53 manually-operated signal box (Am. signal tower, switch tower)
- 54 lever mechanism
- 55 points lever (switch lever) [blue], a lock lever
- 56 signal lever [red]
- 57 catch
- 58 route lever
- 59 block instruments
- 60 block section panel
- 61 electrically-operated signal box (Am. signal tower, switch tower)
- 62 points (switch) and signal knobs
- 63 lock indicator panel
- 64 track and signal indicator
- 65 track diagram control layout
- 66 track diagram control panel (domino panel)
- 67 push buttons
- 68 routes
- 69 intercom system

(Signalling Equipment)

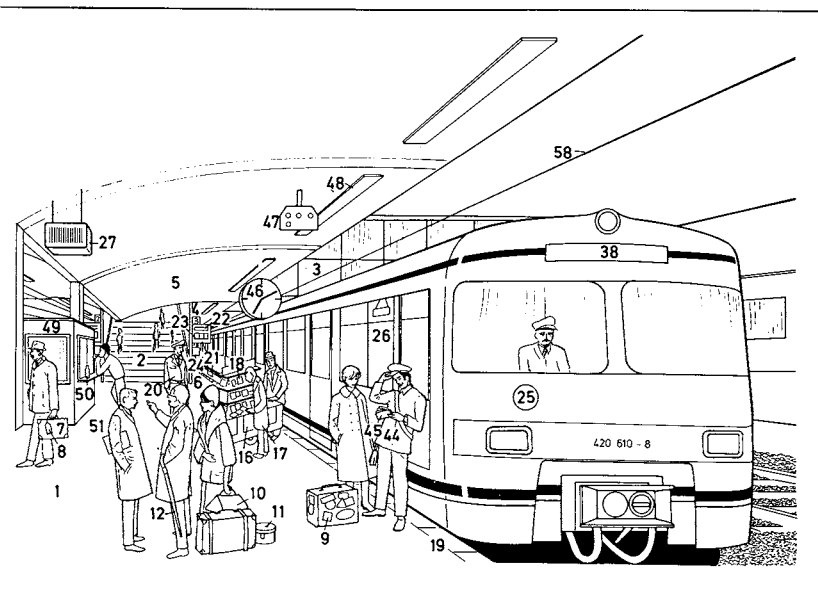
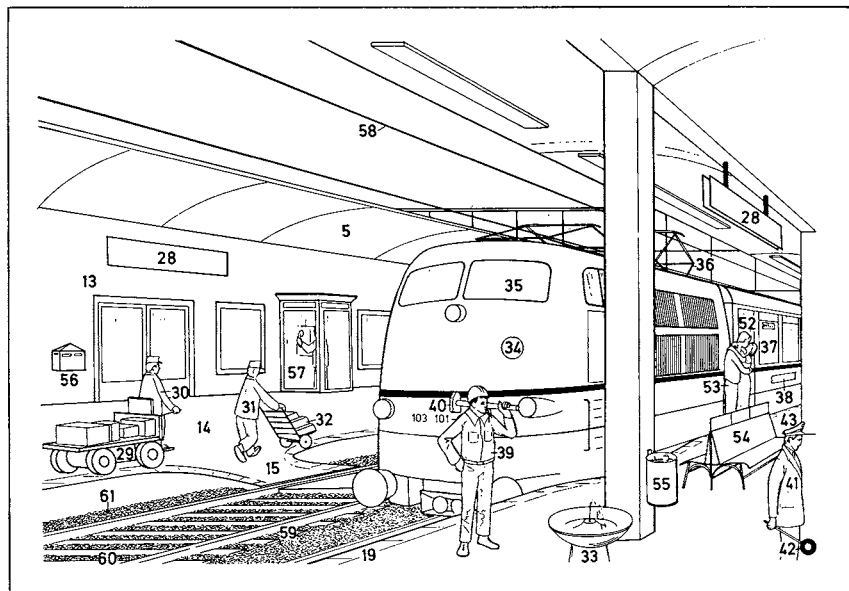




- 1 parcels office
- 2 parcels
- 3 basket [with lock]
- 4 luggage counter
- 5 platform scale with dial
- 6 suitcase (case)
- 7 luggage sticker
- 8 luggage receipt
- 9 luggage clerk
- 10 poster (advertisement)
- 11 station post box (*Am.* station mail-box)
- 12 station guide
- 13 station restaurant
- 14 waiting room
- 15 map of the town (street map)
- 16 timetable (*Am.* schedule)
- 17 ticket machine
- 18 arrivals and departures board (timetable)
- 19 arrival timetable (*Am.* arrival schedule)
- 20 departure timetable (*Am.* departure schedule)

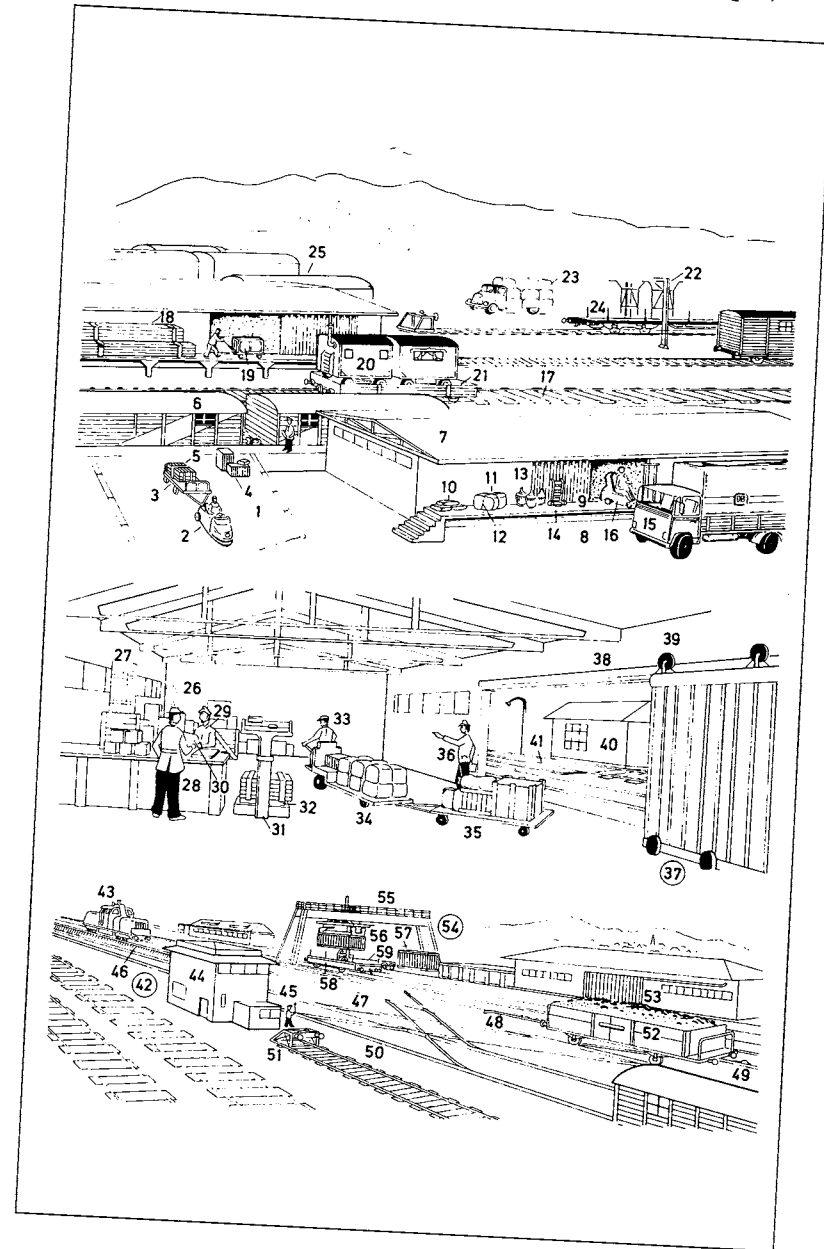
- 21 left luggage lockers
- 22 change machine
- 23 tunnel to the platforms
- 24 passengers
- 25 steps to the platforms
- 26 station bookstall (*Am.* station bookstand)
- 27 left luggage office (left luggage)
- 28 travel centre (*Am.* center); *also:* accommodation bureau
- 29 information office (*Am.* information bureau)
- 30 station clock
- 31 bank branch with foreign exchange counter
- 32 indicator board showing exchange rates
- 33 railway map (*Am.* railroad map)
- 34 ticket office
- 35 ticket counter
- 36 ticket
- 37 revolving tray
- 38 grill

- 39 ticket clerk (*Am.* ticket agent)
- 40 pane of glass (window)
- 41 pocket timetable (*Am.* pocket train schedule)
- 42 luggage rest
- 43 first aid station
- 44 Travellers' (*Am.* Travelers') Aid
- 45 railway (*Am.* railroad) information clerk
- 46 official timetable (official railway guide, *Am.* train schedule)

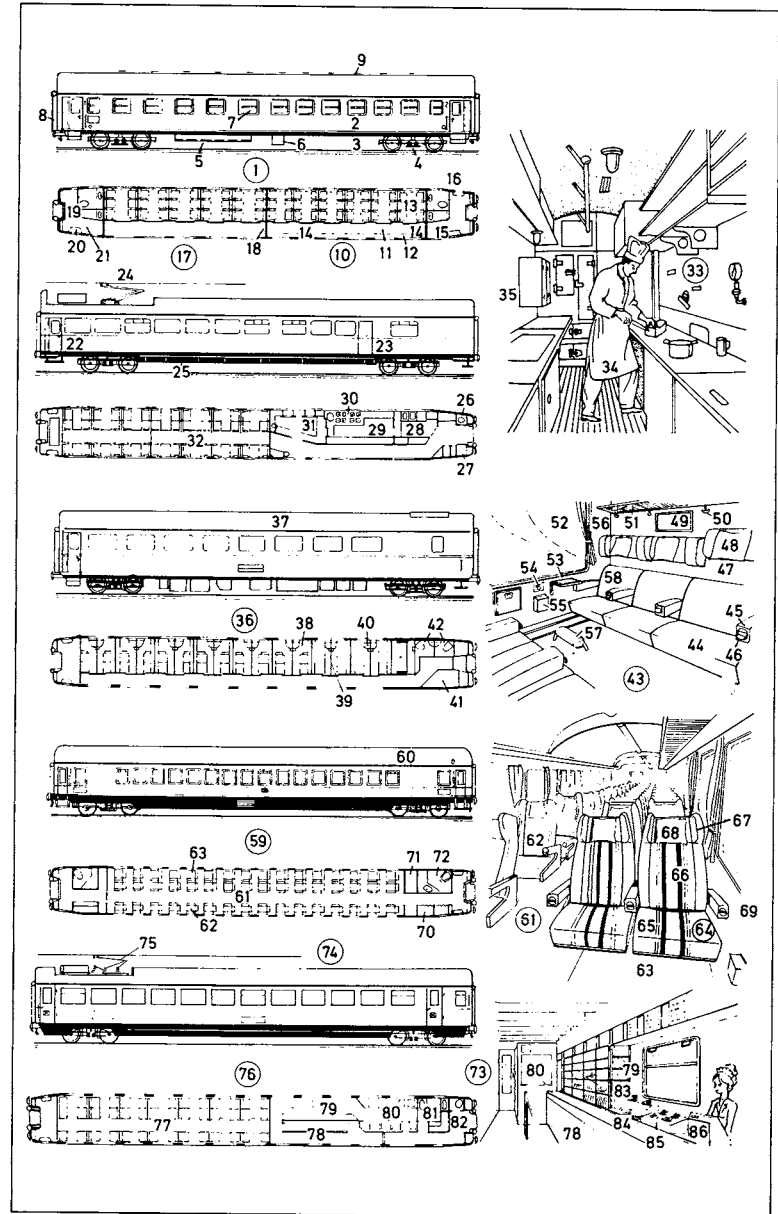


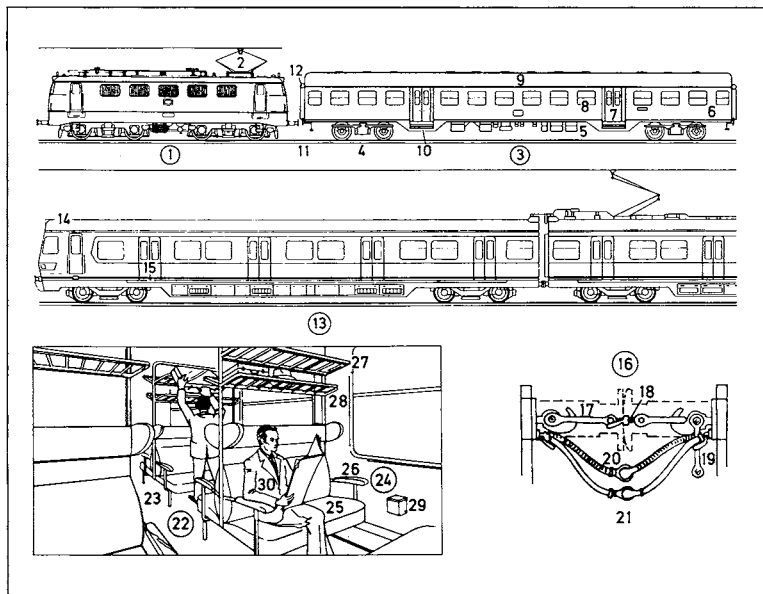
- | | | |
|---|---|---|
| 1 platform | 22 destination indicator | 43 red cap |
| 2 steps to the platform | 23 departure time indicator | 44 inspector |
| 3 bridge | 24 delay indicator | 45 pocket timetable (<i>Am.</i> pocket train schedule) |
| 4 platform number | 25 suburban train, a railcar | 46 platform clock |
| 5 platform roofing | 26 special compartment | 47 starting signal |
| 6 passengers | 27 platform loudspeaker | 48 platform lighting |
| 7-12 luggage | 28 station sign | 49 refreshment kiosk |
| 7 suitcase (case) | 29 electric trolley (electric truck) | 50 beer bottle |
| 8 luggage label | 30 loading foreman | 51 newspaper |
| 9 hotel sticker | 31 porter (<i>Am.</i> redcap) | 52 parting kiss |
| 10 travelling (<i>Am.</i> traveling) bag | 32 barrow | 53 embrace |
| 11 hat box | 33 drinking fountain | 54 platform seat |
| 12 umbrella, a walking-stick umbrella | 34 electric Eurocity express; <i>also:</i> IC express (<i>Intercity</i> express) | 55 litter bin (<i>Am.</i> trash bin) |
| 13 offices | 35 electric locomotive, an express locomotive | 56 platform post box (<i>Am.</i> platform mailbox) |
| 14 platform | 36 collector bow (sliding bow) | 57 platform telephone |
| 15 crossing | 37 secretarial compartment | 58 trolley wire (overhead contact wire) |
| 16 news trolley | 38 destination board | 59-61 track |
| 17 news vendor (<i>Am.</i> news dealer) | 39 wheel tapper | 59 rail |
| 18 reading matter for the journey | 40 wheel-tapping hammer | 60 sleeper (<i>Am.</i> tie, crosstie) |
| 19 edge of the platform | 41 station foreman | 61 ballast (bed) |
| 20 railway policeman (<i>Am.</i> railroad policeman) | 42 signal | |
| 21 destination board | | |

- 1 ramp (vehicle ramp); *sim.*: livestock ramp
- 2 electric truck
- 3 trailer
- 4 part loads (*Am.* package freight, less-than-carload freight); *in general traffic*: general goods in general consignments (in mixed consignments)
- 5 crate
- 6 goods van (*Am.* freight car)
- 7 goods shed (*Am.* freight house)
- 8 loading strip
- 9 loading dock
- 10 bale of peat
- 11 bale of linen (of linen cloth)
- 12 fastening (cord)
- 13 wicker bottle (wickered bottle, demijohn)
- 14 trolley
- 15 goods lorry (*Am.* freight truck)
- 16 forklift truck (fork truck, forklift)
- 17 loading siding
- 18 bulky goods
- 19 small railway-owned (*Am.* railroad-owned) container
- 20 showman's caravan (*sim.* circus caravan)
- 21 flat wagon (*Am.* flat freight car)
- 22 loading gauge (*Am.* gage)
- 23 bale of straw
- 24 flat wagon (*Am.* flatcar) with side stakes
- 25 fleet of lorries (*Am.* trucks)
- 26-39 goods shed (*Am.* freight house)
- 26 goods office (forwarding office, *Am.* freight office)
- 27 part-load goods (*Am.* package freight)
- 28 forwarding agent (*Am.* freight agent, shipper)
- 29 loading foreman
- 30 consignment note (waybill)
- 31 weighing machine
- 32 pallet
- 33 porter
- 34 electric cart (electric truck)
- 35 trailer
- 36 loading supervisor
- 37 goods shed door (*Am.* freight house door)
- 38 rail (slide rail)
- 39 roller
- 40 weighbridge office
- 41 weighbridge
- 42 marshalling yard (*Am.* classification yard, switch yard)
- 43 shunting engine (shunting locomotive, shunter, *Am.* switch engine, switcher)
- 44 marshalling yard signal box (*Am.* classification yard switch tower)
- 45 yardmaster
- 46 hump
- 47 sorting siding (classification siding, classification track)
- 48 rail brake (retarder)
- 49 slipper brake (slipper)
- 50 storage siding (siding)
- 51 buffer (buffers, *Am.* bumper)
- 52 wagon load (*Am.* carload)
- 53 warehouse
- 54 container station
- 55 gantry crane
- 56 lifting gear (hoisting gear)
- 57 container
- 58 container wagon (*Am.* container car)
- 59 semi-trailer



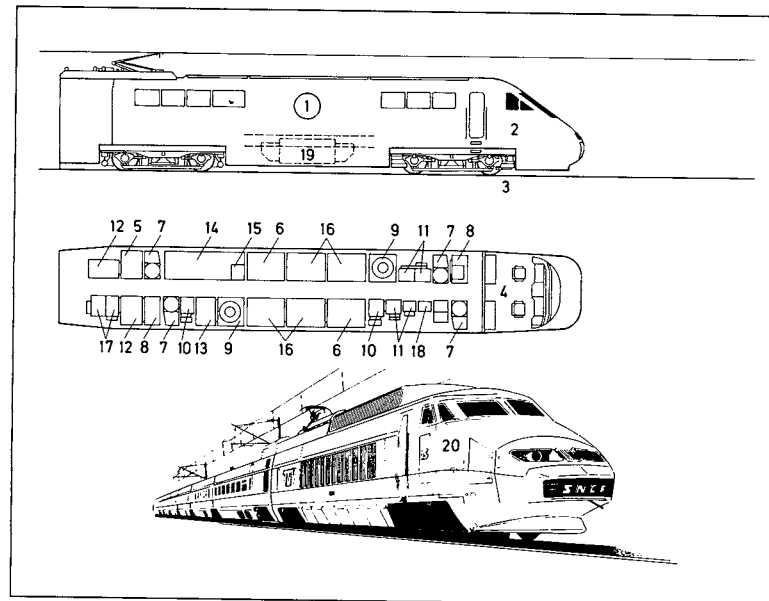
- 1-21 **express train coach** (express train carriage, express train car, corridor compartment coach), a passenger coach
- 1 side elevation (side view)
 2 coach body
 3 underframe (frame)
 4 bogie (truck) with steel and rubber suspension and shock absorbers
 5 battery containers (battery boxes)
 6 steam and electric heat exchanger for the heating system
 7 sliding window
 8 rubber connecting seal
 9 ventilator
- 10-21 **plan**
- 10 second-class section
 11 corridor
 12 folding seat (tip-up seat)
 13 passenger compartment (compartment)
 14 compartment door
 15 washroom
 16 toilet (lavatory, WC)
 17 first-class section
 18 swing door
 19 sliding connecting door
 20 door
 21 vestibule
- 22-32 **dining car** (restaurant car, diner)
- 22-25 **side elevation** (side view)
 22 door
 23 loading door
 24 current collector for supplying power during stops
 25 battery boxes (battery containers)
- 26-32 **plan**
- 26 staff washroom
 27 storage cupboard
 28 washing-up area
 29 kitchen
 30 electric oven with eight hotplates
 31 counter
 32 dining compartment
- 33 dining car kitchen
 34 chef (head cook)
 35 kitchen cabinet
 36 sleeping car (sleeper)
- 37 **side elevation** (side view)
- 38-42 **plan**
- 38 two-seat twin-berth compartment (two-seat two-berth compartment, *Am.* bedroom)
 39 folding doors
 40 washstand
 41 office
 42 toilet (lavatory, WC)
 43 express train compartment
 44 upholstered reclining seat
 45 armrest
 46 ashtray in the armrest
 47 adjustable headrest
 48 antimacassar
 49 mirror
 50 coat hook
 51 luggage rack
 52 compartment window
 53 fold-away table (pull-down table)
 54 heating regulator
 55 litter receptacle
 56 curtain
 57 footrest
 58 corner seat
 59 open car
- 60 **side elevation** (side view)
- 61-72 **plan**
- 61 open carriage
 62 row of single seats
 63 row of double seats
 64 reclining seat
 65 seat upholstery
 66 backrest
 67 headrest
 68 down-filled headrest cushion with nylon cover
 69 armrest with ashtray
 70 cloakroom
 71 luggage compartment
 72 toilet (lavatory, WC)
- 73 **buffet car** (quick-service buffet car), a self-service restaurant car
- 74 **side elevation** (side view)
- 75 current collector for supplying power during stops
- 76 **plan**
- 77 dining compartment
- 78-79 **buffet** (buffet compartment)
- 78 customer area
 79 serving area
 80 kitchen
 81 staff compartment
 82 staff toilet (staff lavatory, staff WC)
 83 food compartments
 84 plates
 85 cutlery
 86 till (cash register)



**1-30 local train service****1-12 local train** (short-distance train)

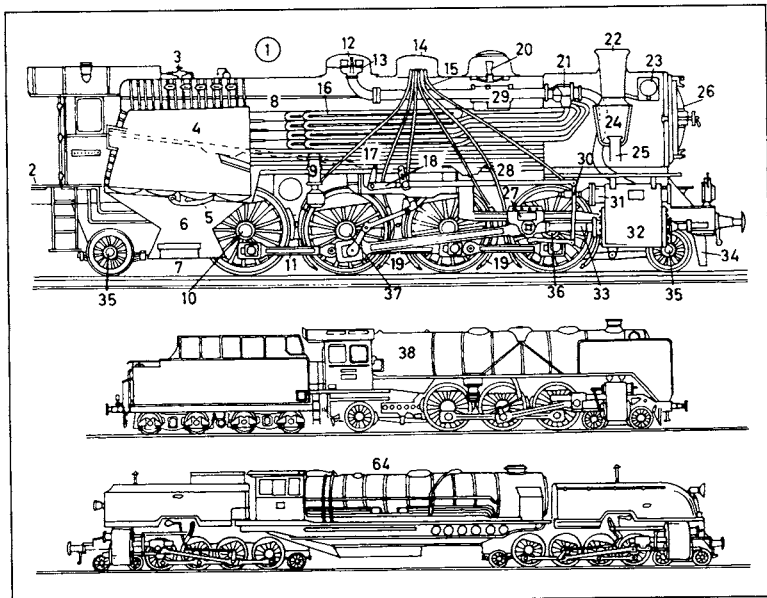
- 1 electric locomotive
- 2 current collector
- 3 four-axled coach (four-axled car) for short-distance routes, a passenger coach (passenger car)
- 4 bogie (truck) [with disc (disk) brakes]
- 5 underframe (frame)
- 6 coach body with metal panelling (*Am.* paneling)
- 7 double folding doors
- 8 compartment window
- 9 open carriage
- 10 entrance
- 11 connecting corridor
- 12 rubber connecting seal
- 13 light railcar, a short-distance railcar
- 14 cab (driver's cab, *Am.* engineer's cab)
- 15 carriage door

- 16 connecting hoses and coupling
- 17 coupling link
- 18 tensioning device (coupling screw with tensioning lever)
- 19 unlinked coupling
- 20 heating coupling hose (steam coupling hose)
- 21 coupling hose (connecting hose) for the compressed-air braking system
- 22 second-class section
- 23 central gangway
- 24 compartment
- 25 upholstered seat
- 26 armrest
- 27 luggage rack
- 28 hat and light luggage rack
- 29 ashtray
- 30 passenger

**1-19 Intercity Express**

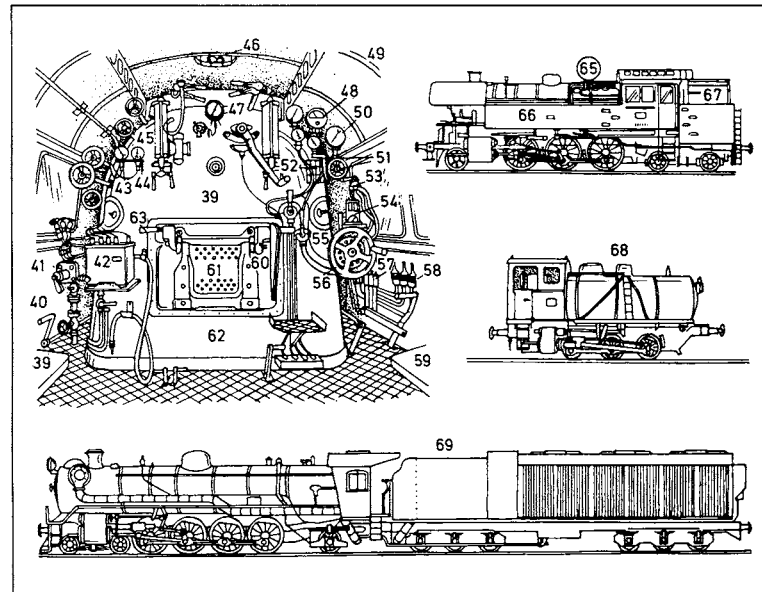
- 1 German Federal Railway trainset
- 2 driving unit (power car)
- 3 driving bogie with traction motors
- 4 cab (driver's cab, *Am.* engineer's cab)
- 5 power supply (traction current filter)
- 6 contactors (converters, inductance)
- 7 traction motor blower
- 8 inductance protection (converter)
- 9 oil-cooling plant
- 10 converter for the auxiliaries
- 11 electronics
- 12 control current equipment
- 13 auxiliaries (switchgear)
- 14 pneumatic equipment
- 15 air-conditioning plant
- 16 main current converters
- 17 measuring equipment (diagnosis)
- 18 continuous automatic train-running control
- 19 transformer

- 20 TGV (Train à Grande Vitesse) of the Société Nationale des Chemins de Fer Français (SNCF)

**1-69 steam locomotives****2-37 locomotive boiler and driving gear**

- 2 tender platform with coupling
- 3 safety valve for excess boiler pressure
- 4 firebox
- 5 drop grate
- 6 ashpan with damper doors
- 7 bottom door of the ashpan
- 8 smoke tubes (flue tubes)
- 9 feed pump
- 10 axle bearing
- 11 coupling rod
- 12 steam rod
- 13 regulator valve (regulator main valve)
- 14 sand dome
- 15 sand pipes (sand tubes)
- 16 boiler (boiler barrel)
- 17 fire tubes or steam tubes
- 18 reversing gear (steam reversing gear)
- 19 sand pipes

- 20 feed valve
- 21 steam collector
- 22 chimney (smokestack, smoke outlet and waste steam exhaust)
- 23 feedwater preheater (feedwater heater, economizer)
- 24 spark arrester
- 25 blast pipe
- 26 smokebox door
- 27 cross head
- 28 mud drum
- 29 top feedwater tray
- 30 combination lever
- 31 steam chest
- 32 cylinder
- 33 piston rod with stuffing box (packing box)
- 34 guard iron (rail guard, *Am.* pilot, cowcatcher)
- 35 carrying axle (running axle, dead axle)
- 36 coupled axle
- 37 driving axle
- 38 express locomotive with tender

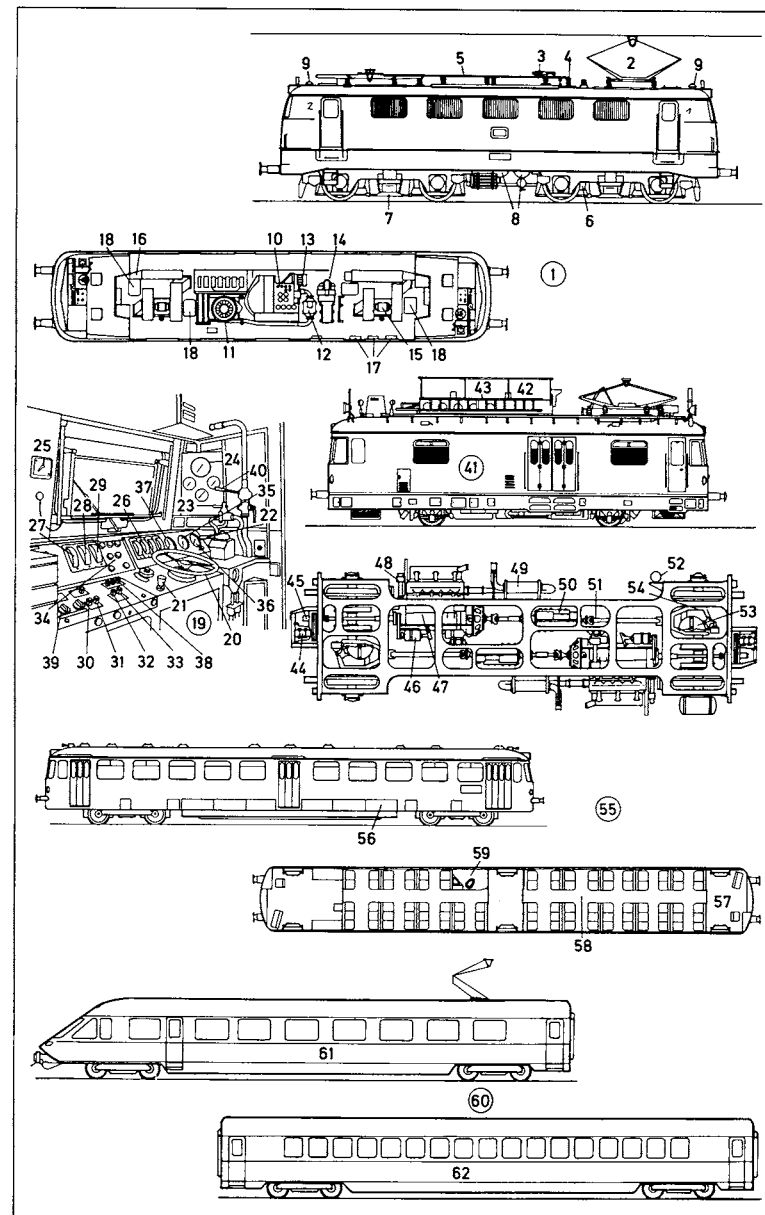


- 39-63 cab (driver's cab, *Am.* engineer's cab)
- 39 fireman's seat
- 40 drop grate lever
- 41 line steam injector
- 42 automatic lubricant pump (automatic lubricator)
- 43 preheater pressure gauge (*Am.* gage)
- 44 carriage heating pressure gauge (*Am.* gage)
- 45 water gauge (*Am.* gage)
- 46 light
- 47 boiler pressure gauge (*Am.* gage)
- 48 distant-reading temperature gauge (*Am.* gage)
- 49 cab (driver's cab, *Am.* engineer's cab)
- 50 brake pressure gauge (*Am.* gage)
- 51 whistle valve handle
- 52 driver's timetable (*Am.* engineer's schedule)
- 53 driver's brake valve (*Am.* engineer's brake valve)

- 54 speed recorder (tachograph)
- 55 sanding valve
- 56 reversing wheel
- 57 emergency brake valve
- 58 release valve
- 59 driver's seat (*Am.* engineer's seat)
- 60 firehole shield
- 61 firehole door
- 62 vertical boiler
- 63 firedoor handle handgrip
- 64 articulated locomotive (Garratt locomotive)
- 65 tank locomotive
- 66 water tank
- 67 fuel tender
- 68 steam storage locomotive (fireless locomotive)
- 69 condensing locomotive (locomotive with condensing tender)

- 1 electric locomotive
- 2 current collector
- 3 main switch
- 4 high-tension transformer
- 5 roof cable
- 6 traction motor
- 7 inductive train control system
- 8 main air reservoir
- 9 whistle
- 10-18 plan of locomotive**
- 10 transformer with tap changer
- 11 oil cooler with blower
- 12 oil-circulating pump
- 13 tap changer driving mechanism
- 14 air compressor
- 15 traction motor blower
- 16 terminal box
- 17 capacitors for auxiliary motors
- 18 commutator cover
- 19 cab (driver's cab, *Am.* engineer's cab)
- 20 controller handwheel
- 21 dead man's handle
- 22 driver's brake valve (*Am.* engineer's brake valve)
- 23 ancillary brake valve (auxiliary brake valve)
- 24 pressure gauge (*Am.* gage)
- 25 bypass switch for the dead man's handle
- 26 tractive effort indicator
- 27 train heating voltage indicator
- 28 contact wire voltage indicator (overhead wire voltage indicator)
- 29 high-tension voltage indicator
- 30 on/off switch for the current collector
- 31 main switch
- 32 sander switch (sander control)
- 33 anti-skid brake switch
- 34 visual display for the ancillary systems
- 35 speedometer
- 36 running step indicator
- 37 clock
- 38 controls for the inductive train control system

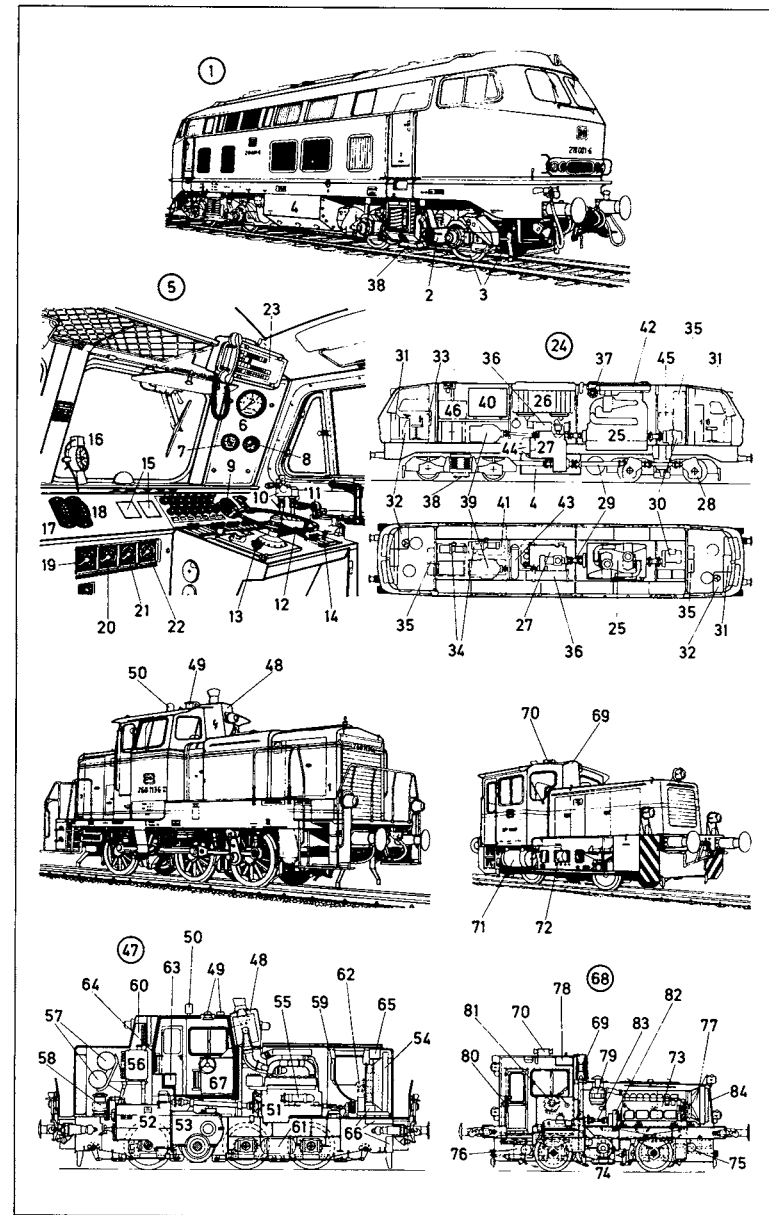
- 39 cab heating switch
- 40 whistle lever
- 41 **contact wire maintenance vehicle** (overhead wire maintenance vehicle), a diesel railcar
- 42 work platform (working platform)
- 43 ladder
- 44-54 mechanical equipment of the contact wire maintenance vehicle**
- 44 air compressor
- 45 blower oil pump
- 46 generator
- 47 diesel engine
- 48 injection pump
- 49 silencer (*Am.* muffler)
- 50 change-speed gear
- 51 cardan shaft
- 52 wheel flange lubricator
- 53 reversing gear
- 54 torque converter bearing
- 55 **accumulator railcar** (battery railcar)
- 56 battery box (battery container)
- 57 cab (driver's cab, *Am.* engineer's cab)
- 58 second-class seating arrangement
- 59 toilet (lavatory, WC)
- 60 **fast electric multiple-unit train**
- 61 front railcar
- 62 driving trailer car

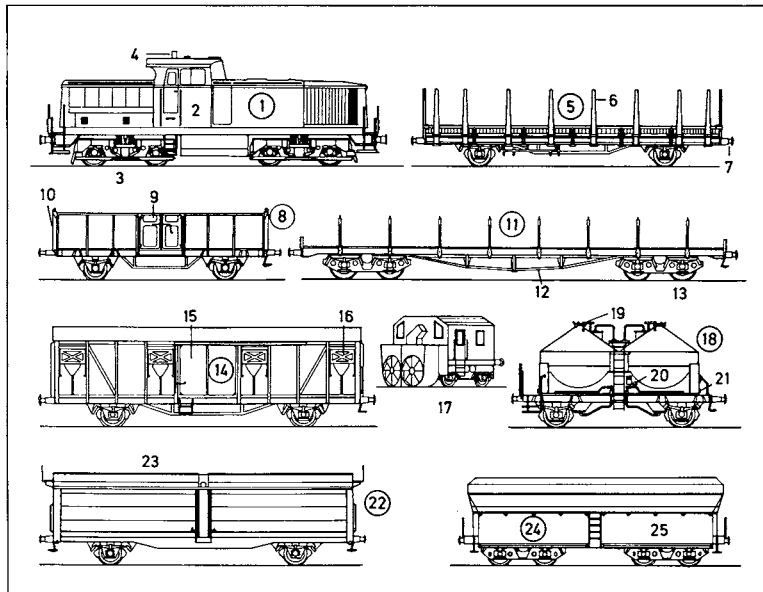


1-84 diesel locomotives

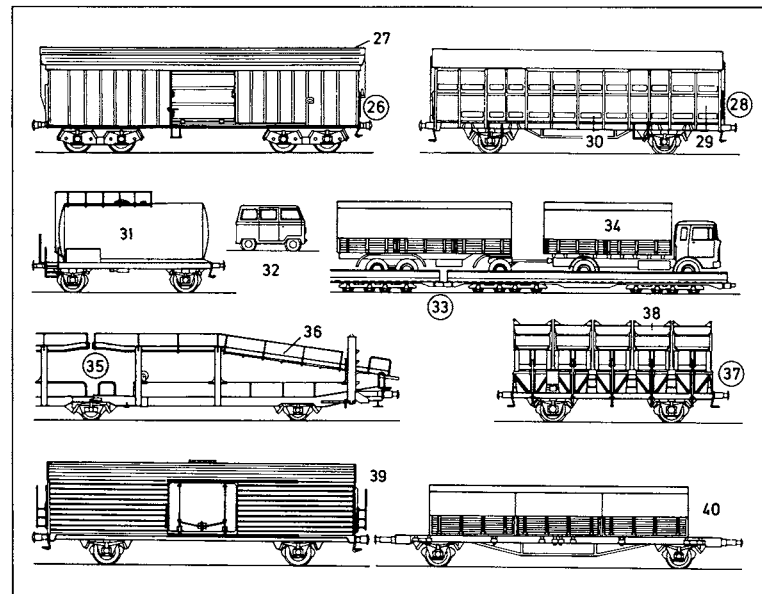
- 1 diesel-hydraulic locomotive, a mainline locomotive (diesel locomotive) for medium passenger and goods service (freight service)
- 2 bogie (truck)
- 3 wheel and axle set
- 4 main fuel tank
- 5 cab (driver's cab, *Am.* engineer's cab) of a diesel locomotive
- 6 main air pressure gauge (*Am.* gage)
- 7 brake cylinder pressure gauge (*Am.* gage)
- 8 main air reservoir pressure gauge (*Am.* gage)
- 9 speedometer
- 10 auxiliary brake
- 11 driver's brake valve (*Am.* engineer's brake valve)
- 12 controller handwheel
- 13 dead man's handle
- 14 inductive train control system
- 15 signal lights
- 16 clock
- 17 voltage meter for the train heating system
- 18 current meter for the train heating system
- 19 engine oil temperature gauge (*Am.* gage)
- 20 transmission oil temperature gauge (*Am.* gage)
- 21 cooling water temperature gauge (*Am.* gage)
- 22 revolution counter (rev counter, tachometer)
- 23 radio telephone
- 24 diesel-hydraulic locomotive [plan and elevation]
- 25 diesel engine
- 26 cooling unit
- 27 fluid transmission
- 28 wheel and axle drive
- 29 cardan shaft
- 30 starter motor
- 31 instrument panel
- 32 driver's control desk (*Am.* engineer's control desk)
- 33 hand brake
- 34 air compressor with electric motor
- 35 equipment locker
- 36 heat exchanger for transmission oil
- 37 engine room ventilator
- 38 magnet for the inductive train control system
- 39 train heating generator

- 40 casing of the train heating system transformer
- 41 preheater
- 42 exhaust silencer (*Am.* exhaust muffler)
- 43 auxiliary heat exchanger for the transmission oil
- 44 hydraulic brake
- 45 tool box
- 46 starter battery
- 47 diesel-hydraulic locomotive for light and medium shunting service
- 48 exhaust silencer (*Am.* exhaust muffler)
- 49 bell and whistle
- 50 yard radio
- 51-67 elevation of locomotive
- 51 diesel engine with supercharged turbine
- 52 fluid transmission
- 53 output gear box
- 54 radiator
- 55 heat exchanger for the engine lubricating oil
- 56 fuel tank
- 57 main air reservoir
- 58 air compressor
- 59 sand boxes
- 60 reserve fuel tank
- 61 auxiliary air reservoir
- 62 hydrostatic fan drive
- 63 seat with clothes compartment
- 64 hand brake wheel
- 65 cooling water
- 66 ballast
- 67 engine and transmission control wheel
- 68 small diesel locomotive for shunting service
- 69 exhaust casing
- 70 horn
- 71 main air reservoir
- 72 air compressor
- 73 eight-cylinder diesel engine
- 74 Voith transmission with reversing gear
- 75 heating oil tank (fuel oil tank)
- 76 sand box
- 77 cooling unit
- 78 header tank for the cooling water
- 79 oil bath air cleaner (oil bath air filter)
- 80 hand brake wheel
- 81 control wheel
- 82 coupling
- 83 cardan shaft
- 84 louvred shutter

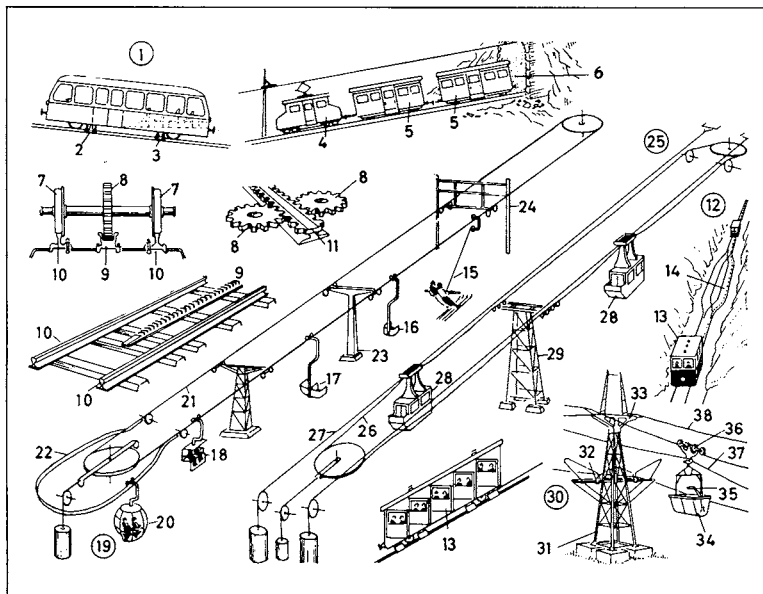




- | | |
|---|--|
| 1 diesel-hydraulic locomotive | 17 snow blower (rotary snow plough, <i>Am.</i> snowplow), a track-clearing vehicle |
| 2 cab (driver's cab, <i>Am.</i> engineer's cab) | 18 wagon (<i>Am.</i> car) with pneumatic discharge |
| 3 wheel and axle set | 19 filler hole |
| 4 aerial for the yard radio | 20 compressed-air supply |
| 5 standard flat wagon (<i>Am.</i> standard flatcar) | 21 discharge connection valve |
| 6 hinged steel stanchion (stanchion) | 22 goods van (<i>Am.</i> boxcar) with sliding roof |
| 7 buffers | 23 roof opening |
| 8 standard open goods wagon (<i>Am.</i> standard open freight car) | 24 bogie open self-discharge wagon (<i>Am.</i> bogie open self-discharge freight car) |
| 9 revolving side doors | 25 discharge flap (discharge door) |
| 10 hinged front | |
| 11 standard flat wagon (<i>Am.</i> standard flatcar) with bogies | |
| 12 sole bar reinforcement | |
| 13 bogie (truck) | |
| 14 covered goods van (covered goods wagon, <i>Am.</i> boxcar) | |
| 15 sliding door | |
| 16 ventilation flap | |



- | | |
|---|--|
| 26 bogie wagon with swivelling (<i>Am.</i> swiveling) roof | 40 interchangeable bodies for flat wagons (<i>Am.</i> flatcars) |
| 27 swivelling (<i>Am.</i> swiveling) roof | |
| 28 large-capacity wagon (<i>Am.</i> large-capacity car) for small livestock | |
| 29 sidewall with ventilation flaps (slatted wall) | |
| 30 ventilation flap | |
| 31 tank wagon (<i>Am.</i> tank car) | |
| 32 track inspection railcar | |
| 33 open special wagons (<i>Am.</i> open special freight cars) | |
| 34 lorry (<i>Am.</i> truck) with trailer | |
| 35 two-tier car carrier (double-deck car carrier) | |
| 36 hinged upper deck | |
| 37 tipper wagon (<i>Am.</i> dump car) with skips | |
| 38 skip | |
| 39 general-purpose refrigerator wagon (refrigerator van, <i>Am.</i> refrigerator car) | |

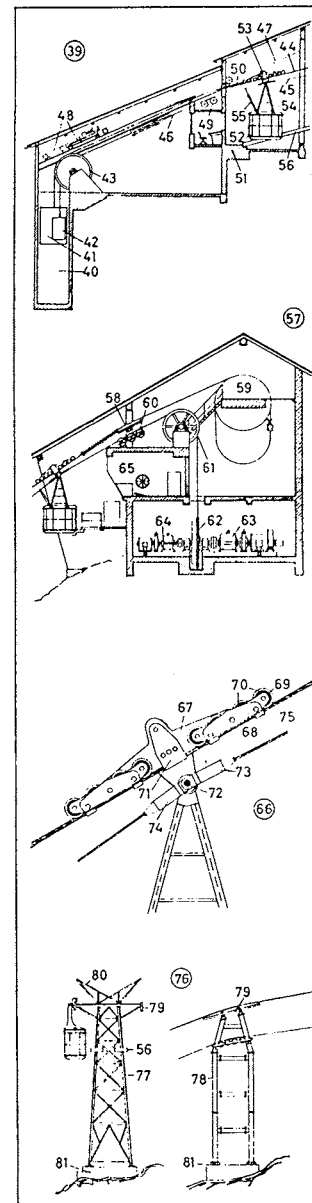
**1-14 mountain railways** (*Am.* mountain railroads)

- 1 adhesion railcar
- 2 drive
- 3 emergency brake
- 4, 5 rack mountain railway (rack-and-pinion railway, cog railway, *Am.* cog railroad, rack railroad)
- 4 electric rack railway locomotive (*Am.* electric rack railroad locomotive)
- 5 rack railway coach (rack railway trailer, *Am.* rack railroad car)
- 6 tunnel
- 7-11 rack railways (rack-and-pinion railways, *Am.* rack railroads) [systems]
- 7 running wheel (carrying wheel)
- 8 driving pinion
- 9 rack [with teeth machined on top edge]
- 10 rail
- 11 rack [with teeth on both outer edges]
- 12 funicular railway (funicular, cable railway)
- 13 funicular railway car
- 14 haulage cable
- 15-38 cableways (ropeways, cable suspension lines)
- 15-24 single-cable ropeways (single-cable suspension lines), endless cableways, endless ropeways
- 15 drag lift

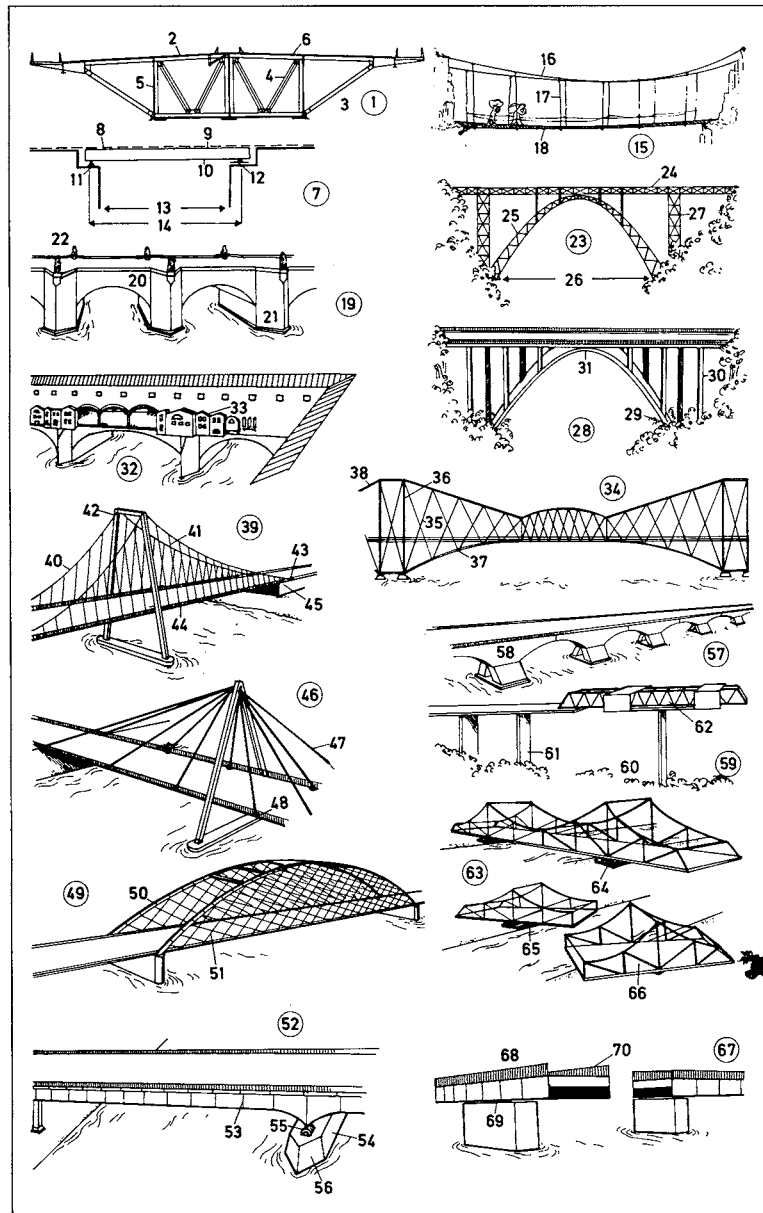
16-18 chair lift

- 16 lift chair, a single chair
- 17 double lift chair, a two-seater chair
- 18 double chair (two-seater chair) with coupling
- 19 gondola cableway, an endless cableway
- 20 gondola (cabin)
- 21 endless cable, a suspension (supporting) and haulage cable
- 22 U-rail
- 23 single-pylon support
- 24 gantry support
- 25 double-cable ropeway (double-cable suspension line), a suspension line with balancing cabins
- 26 haulage cable
- 27 suspension cable (supporting cable)
- 28 cabin
- 29 intermediate support
- 30 cableway (ropeway, suspension line), a double-cable ropeway (double-cable suspension line)
- 31 pylon
- 32 haulage cable roller
- 33 cable guide rail (suspension cable bearing)
- 34 skip, a tipping bucket (*Am.* dumping bucket)
- 35 stop
- 36 pulley cradle
- 37 haulage cable

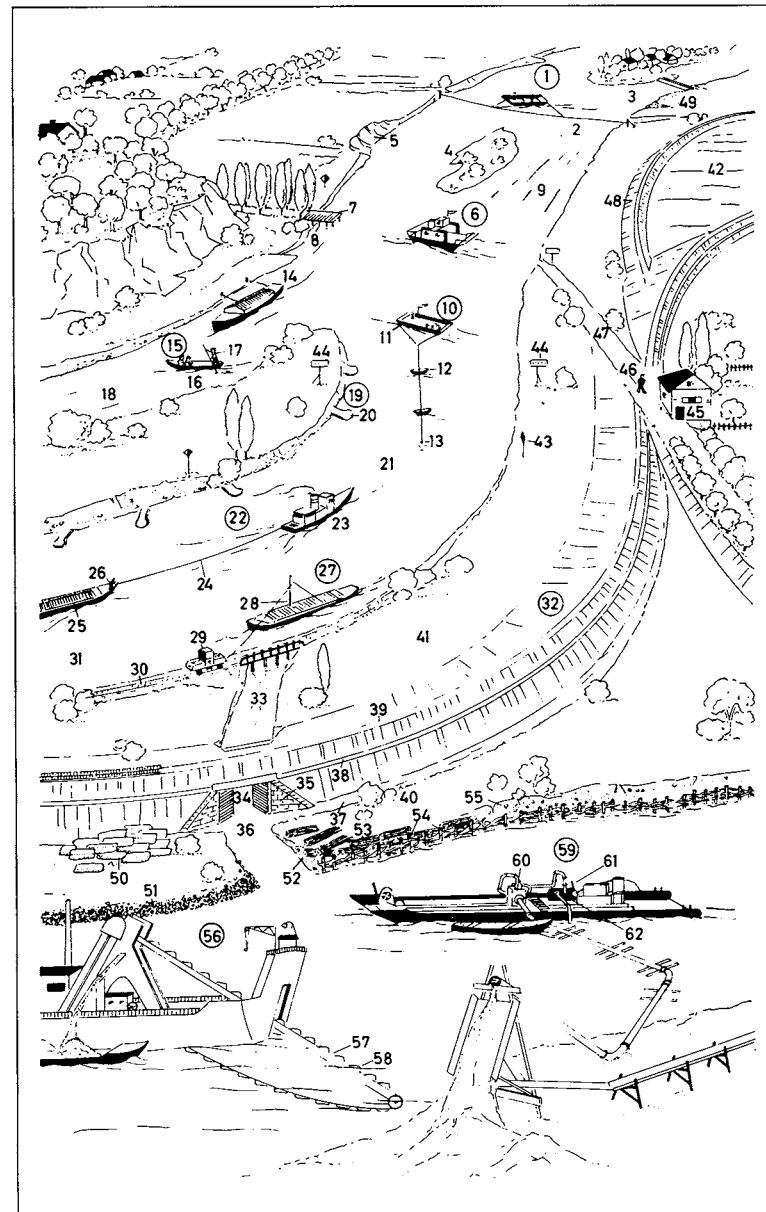
- 38 suspension cable (supporting cable)
- 39 valley station (lower station)
- 40 tension weight shaft
- 41 tension weight for the suspension cable (supporting cable)
- 42 tension weight for the haulage cable
- 43 tension cable pulley
- 44 suspension cable (supporting cable)
- 45 haulage cable
- 46 balance cable (lower cable)
- 47 auxiliary cable (emergency cable)
- 48 auxiliary-cable tensioning mechanism (emergency-cable tensioning mechanism)
- 49 haulage cable rollers
- 50 spring buffer (*Am.* spring bumper)
- 51 valley station platform (lower station platform)
- 52 cabin (cableway gondola, ropeway gondola, suspension line gondola), a large-capacity cabin
- 53 pulley cradle
- 54 suspension gear
- 55 stabilizer
- 56 guide rail
- 57 top station (upper station)
- 58 suspension cable guide (supporting cable guide)
- 59 suspension cable anchorage (supporting cable anchorage)
- 60 haulage cable rollers
- 61 haulage cable guide wheel
- 62 haulage cable driving pulley
- 63 main drive
- 64 standby drive
- 65 control room
- 66 cabin pulley cradle
- 67 main pulley cradle
- 68 double cradle
- 69 two-wheel cradle
- 70 running wheels
- 71 suspension cable brake (supporting cable brake), an emergency brake in case of haulage cable failure
- 72 suspension gear bolt
- 73 haulage cable sleeve
- 74 balance cable sleeve (lower cable sleeve)
- 75 derailment guard
- 76 cable supports (ropeway supports, suspension line supports, intermediate supports)
- 77 pylon, a framework support
- 78 tubular steel pylon, a tubular steel support
- 79 suspension cable guide rail (supporting cable guide rail, support guide rail)
- 80 support truss, a frame for work on the cable
- 81 base of the support

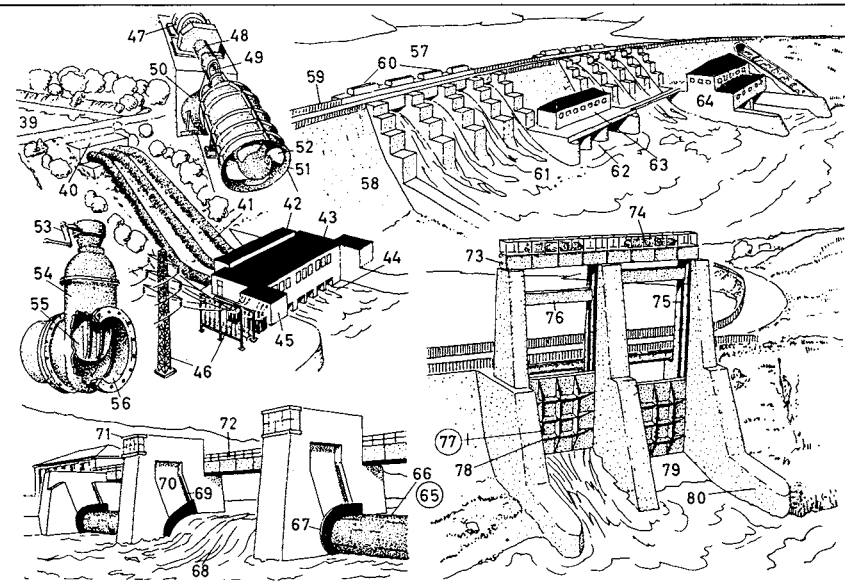
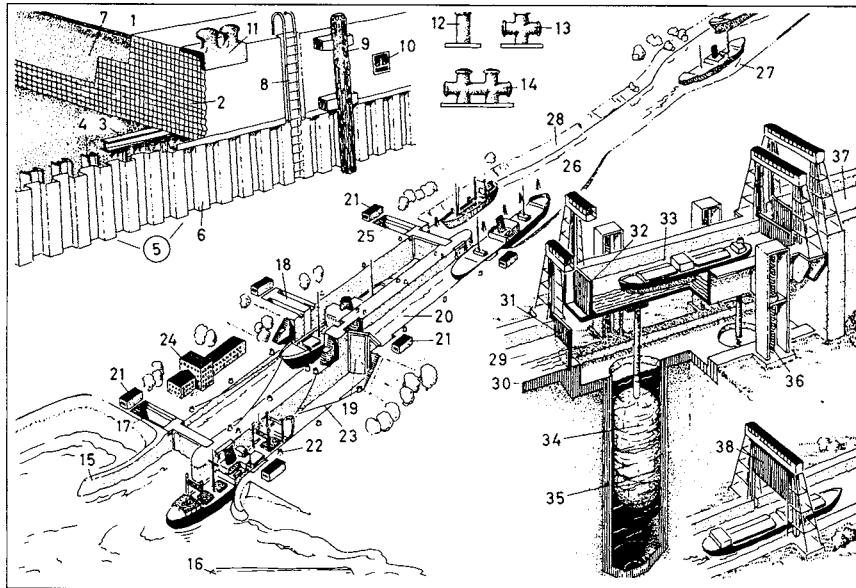


- 1 cross-section of a bridge
- 2 orthotropic roadway (orthotropic deck)
- 3 truss (bracing)
- 4 diagonal brace (diagonal strut)
- 5 hollow tubular section
- 6 deck slab
- 7 solid-web girder bridge (beam bridge)
- 8 road surface
- 9 top flange
- 10 bottom flange
- 11 fixed bearing
- 12 movable bearing
- 13 clear span
- 14 span
- 15 rope bridge (primitive suspension bridge)
- 16 carrying rope
- 17 suspension rope
- 18 woven deck (woven decking)
- 19 stone arch bridge, a solid bridge
- 20 arch
- 21 pier
- 22 statue
- 23 trussed arch bridge
- 24 truss element
- 25 trussed arch
- 26 arch span
- 27 abutment (end pier)
- 28 spandrel-braced arch bridge
- 29 abutment (abutment pier)
- 30 bridge strut
- 31 crown
- 32 covered bridge of the Middle Ages (the *Ponte Vecchio* in Florence)
- 33 goldsmiths' shops
- 34 steel lattice bridge
- 35 counterbrace (crossbrace, diagonal member)
- 36 vertical member
- 37 truss joint
- 38 portal frame
- 39 suspension bridge
- 40 suspension cable
- 41 suspender (hanger)
- 42 tower
- 43 suspension cable anchorage
- 44 tied beam [with roadway]
- 45 abutment
- 46 cable-stayed bridge
- 47 inclined tension cable
- 48 inclined cable anchorage
- 49 reinforced concrete bridge
- 50 reinforced concrete arch
- 51 inclined cable system (multiple cable system)
- 52 flat bridge, a plate girder bridge
- 53 stiffener
- 54 pier
- 55 bridge bearing
- 56 cutwater
- 57 straits bridge, a bridge built of precast elements
- 58 precast construction unit
- 59 viaduct
- 60 valley bottom
- 61 reinforced concrete pier
- 62 scaffolding
- 63 lattice swing bridge
- 64 turntable
- 65 pivot pier
- 66 pivoting half (pivoting section, pivoting span, movable half) of bridge
- 67 flat swing bridge
- 68 middle section
- 69 pivot
- 70 parapet (handrailing)



- 1 cable ferry (also: chain ferry), a passenger ferry
- 2 ferry rope (ferry cable)
- 3 river branch (river arm)
- 4 river island (river islet)
- 5 collapsed section of riverbank, flood damage
- 6 motor ferry
- 7 ferry landing stage (motorboat landing stage)
- 8 pile foundations
- 9 current (flow, course)
- 10 flying ferry (river ferry), a car ferry
- 11 ferry boat
- 12 buoy (float)
- 13 anchorage
- 14 harbour (*Am.* harbor) for laying up river craft
- 15 ferry boat (punt)
- 16 pole (punt pole, quant pole)
- 17 ferryman
- 18 blind river branch (blind river arm)
- 19 groyne (*Am.* groin)
- 20 groyne (*Am.* groin) head
- 21 fairway (navigable part of river)
- 22 train of barges
- 23 river tug
- 24 tow rope (tow line, towing hawser)
- 25 barge (freight barge, cargo barge, lighter)
- 26 bargeman (bargee, lighterman)
- 27 towing (hauling, haulage)
- 28 towing mast
- 29 towing engine
- 30 towing track; *form.*: tow path (towing path)
- 31 river after river training
- 32 dike (dyke, main dike, flood wall, winter dike)
- 33 drainage ditch
- 34 dike (dyke) drainage sluice
- 35 wing wall
- 36 outfall
- 37 drain (infiltration drain)
- 38 berm (berme)
- 39 top of dike (dyke)
- 40 dike (dyke) batter (dike slope)
- 41 flood bed (inundation area)
- 42 flood containment area
- 43 current meter
- 44 kilometre (*Am.* kilometer) sign
- 45 dikereeve's (dykereeve's) house (dikereeve's cottage); also: ferryman's house (cottage)
- 46 dikereeve (dykereeve)
- 47 dike (dyke) ramp
- 48 summer dike (summer dyke)
- 49 levee (embankment)
- 50 sandbags
- 51-55 bank protection (bank stabilization, revetment)
 - 51 riprap
 - 52 alluvial deposit (sand deposit)
 - 53 fascine (bundle of wooden sticks)
 - 54 wicker fences
 - 55 stone pitching
- 56 floating dredging machine (dredger, a multi-bucket ladder dredge)
 - 57 bucket elevator chain
 - 58 dredging bucket
- 59 suction dredger (hydraulic dredger) with trailing suction pipe or barge sucker
 - 60 centrifugal pump
 - 61 back scouring valve
 - 62 suction pump, a jet pump with scouring nozzles



**1-14 quay wall**

- 1 road surface
- 2 body of wall
- 3 steel sleeper
- 4 steel pile
- 5 sheet pile wall (sheet pile bulkhead, sheet piling)
- 6 box pile
- 7 backfilling (filling)
- 8 ladder
- 9 fender (fender pile)
- 10 recessed bollard
- 11 double bollard
- 12 bollard
- 13 cross-shaped bollard (cross-shaped mooring bitt)
- 14 double cross-shaped bollard (double cross-shaped mooring bitt)
- 15-28 canal**
- 15, 16 canal entrance
- 15 mole
- 16 breakwater
- 17-25 staircase of locks
- 17 lower level
- 18 lock gate, a sliding gate
- 19 mitre (*Am.* miter) gate

20 lock (lock chamber)

- 21 power house
- 22 warping capstan (hauling capstan), a capstan
- 23 warp
- 24 offices (e.g. canal administration, river police, customs)
- 25 upper level (head)
- 26 lock approach
- 27 lay-by
- 28 bank slope
- 29-38 boat lift (*Am.* boat elevator)**
- 29 lower pound (lower reach)
- 30 canal bed
- 31 pound lock gate, a vertical gate
- 32 lock gate
- 33 boat tank (caisson)
- 34 float
- 35 float shaft
- 36 lifting spindle
- 37 upper pound (upper reach)
- 38 vertical gate

39-46 pumping plant and reservoir

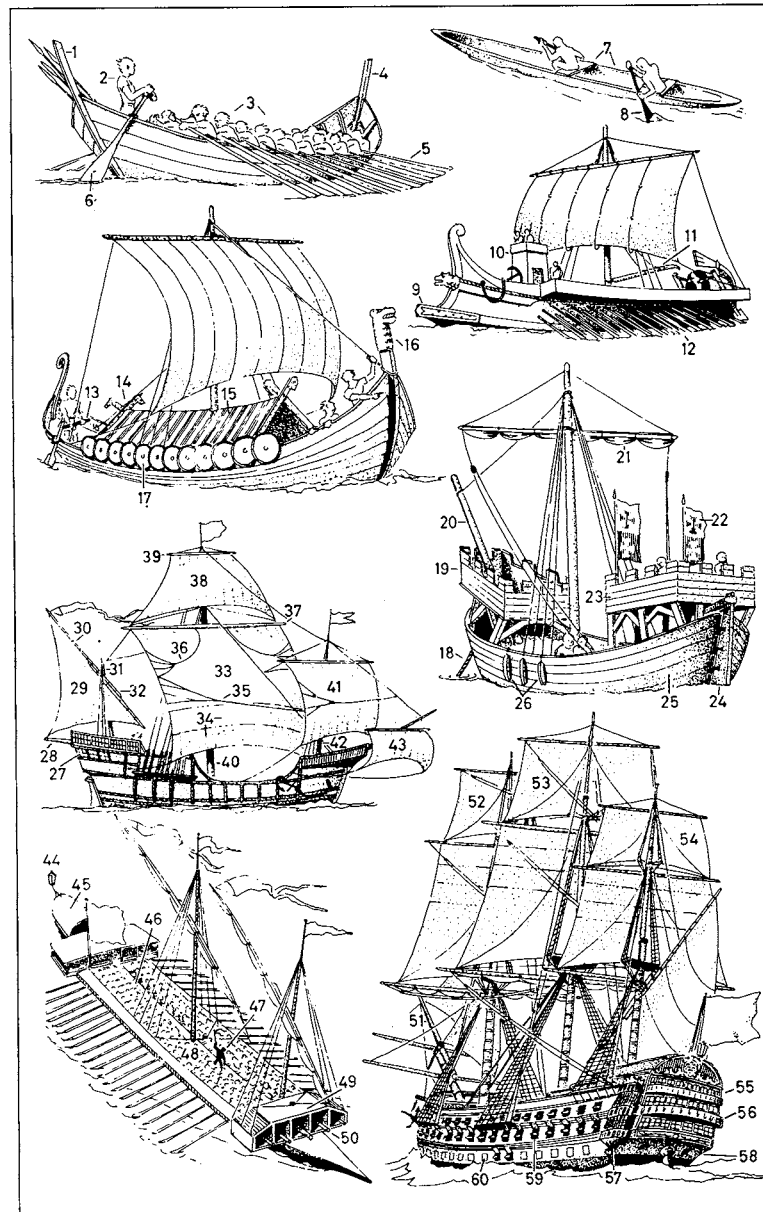
- 39 forebay
- 40 surge tank
- 41 pressure pipeline
- 42 valve house (valve control house)
- 43 turbine house (pumping station)
- 44 discharge structure (outlet structure)
- 45 control station
- 46 transformer station
- 47-52 axial-flow pump (propeller pump)**
- 47 drive motor
- 48 gear
- 49 drive shaft
- 50 pressure pipe
- 51 suction head
- 52 impeller wheel
- 53-56 sluice valve (sluice gate)**
- 53 crank drive
- 54 valve housing
- 55 sliding valve (sliding gate)
- 56 discharge opening
- 57-64 dam (barrage)**
- 57 reservoir (storage reservoir, impounding reservoir, impounded reservoir)
- 58 masonry dam
- 59 crest of dam

60 spillway (overflow spillway)

- 61 stilling basin (stilling box, stilling pool)
- 62 scouring tunnel (outlet tunnel, waste water outlet)
- 63 valve house (valve control house)
- 64 power station
- 65-72 rolling dam (weir), a barrage; other system: shutter weir**
- 65 roller, a barrier
- 66 roller top
- 67 flange
- 68 submersible roller
- 69 rack track
- 70 recess
- 71 hoisting gear cabin
- 72 service bridge (walkway)
- 73-80 sluice dam**
- 73 hoisting gear bridge
- 74 hoisting gear (winding gear)
- 75 guide groove
- 76 counterweight (counterpoise)
- 77 sluice gate (floodgate)
- 78 reinforcing rib
- 79 dam sill (weir sill)
- 80 wing wall

- 1-6 Germanic rowing boat** [ca. AD 400]; the Nydam boat
1 stern post
2 steersman
3 oarsman
4 stem post (stem)
5 oar, for rowing
6 rudder (steering oar), a side rudder, for steering
7 dugout, a hollowed-out tree trunk
8 paddle
9-12 trireme, a Roman warship
9 ram
10 forecastle (fo'c'sle)
11 grapple (grapnel, grappling iron), for fastening the enemy ship alongside
12 three banks (tiers) of oars
13-17 Viking ship (longship, dragon ship) [Norse]
13 helm (tiller)
14 awning crutch with carved horses' heads
15 awning
16 dragon figurehead
17 shield
18-26 cog (Hansa cog, Hansa ship)
18 anchor cable (anchor rope, anchor hawser)
19 forecastle (fo'c'sle)
20 bowsprit
21 furled (brailed-up) square sail
22 town banner (city banner)
23 aftercastle (sterncastle)
24 rudder, a stem rudder
25 elliptical stern (round stern)
26 wooden fender
27-43 caravel (carvel) ['Santa Maria' 1492]
27 admiral's cabin
28 spanker boom
29 mizzen (mizen, mutton spanker, lateen spanker), a lateen sail
30 lateen yard
31 mizzen (mizen) mast
32 lashing

- 33** mainsail (main course), a square sail
34 bonnet, a removable strip of canvas
35 bowline
36 bunt line (martinet)
37 main yard
38 main topsail
39 main topsail yard
40 mainmast
41 foresail (fore course)
42 foremast
43 spritsail
44-50 galley [15th to 18th century], a slave galley
44 lantern
45 cabin
46 central gangway
47 slave driver with whip
48 galley slaves
49 covered platform in the forepart of the ship
50 gun
51-60 ship of the line (line-of-battle ship) [18th to 19th century], a three-decker
51 jib boom
52 fore topgallant sail
53 main topgallant sail
54 mizzen (mizen) topgallant sail
55-57 gilded stern
55 upper stern
56 stern gallery
57 quarter gallery, a projecting balcony with ornamental portholes
58 lower stern
59 gunports for broadside fire
60 gunport shutter



219 Sailing Ship I

1-72 rigging (rig, tackle) and sails of a bark (barque)**1-9 masts**

1 bowsprit with jib boom

2-4 foremast

2 lower foremast

3 fore topmast

4 fore topgallant mast

5-7 mainmast

5 lower mainmast

6 main topmast

7 main topgallant mast

8, 9 mizzen (mizen) mast

8 lower mizzen (lower mizen)

9 mizzen (mizen) topmast

10-19 standing rigging

10 forestay, mizzen (mizen) stay, mainstay

11 fore topmast stay, main topmast stay, mizzen (mizen) topmast stay

12 fore topgallant stay, mizzen (mizen) topgallant stay, main topgallant stay

13 fore royal stay (main royal stay)

14 jib stay

15 bobstay

16 shrouds

17 fore topmast rigging (main topmast rigging, mizzen (mizen) topmast rigging)

18 fore topgallant rigging (main topgallant rigging)

19 backstays

20-31 fore-and-aft sails

20 fore topmast staysail

21 inner jib

22 outer jib

23 flying jib

24 main topmast staysail

25 main topgallant staysail

26 main royal staysail

27 mizzen (mizen) staysail

28 mizzen (mizen) topmast staysail

29 mizzen (mizen) topgallant staysail

30 mizzen (mizen, spanker, driver)

31 gaff topsail

32-45 spars

32 foreyard

33 lower fore topsail yard

34 upper fore topsail yard

35 lower fore topgallant yard

36 upper fore topgallant yard

37 fore royal yard

38 main yard

39 lower main topsail yard

40 upper main topsail yard

41 lower main topgallant yard

42 upper main topgallant yard

43 main royal yard

44 spanker boom

45 spanker gaff

46 footrope

47 lifts

48 spanker boom topping lift

49 spanker peak halyard

50 foretop

51 fore topmast crosstrees

52 maintop

53 main topmast crosstrees

54 mizzen (mizen) top

55-66 square sails

55 foresail (fore course)

56 lower fore topsail

57 upper fore topsail

58 lower fore topgallant sail

59 upper fore topgallant sail

60 fore royal

61 mainsail (main course)

62 lower main topsail

63 upper main topsail

64 lower main topgallant sail

65 upper main topgallant sail

66 main royal sail

67-71 running rigging

67 braces

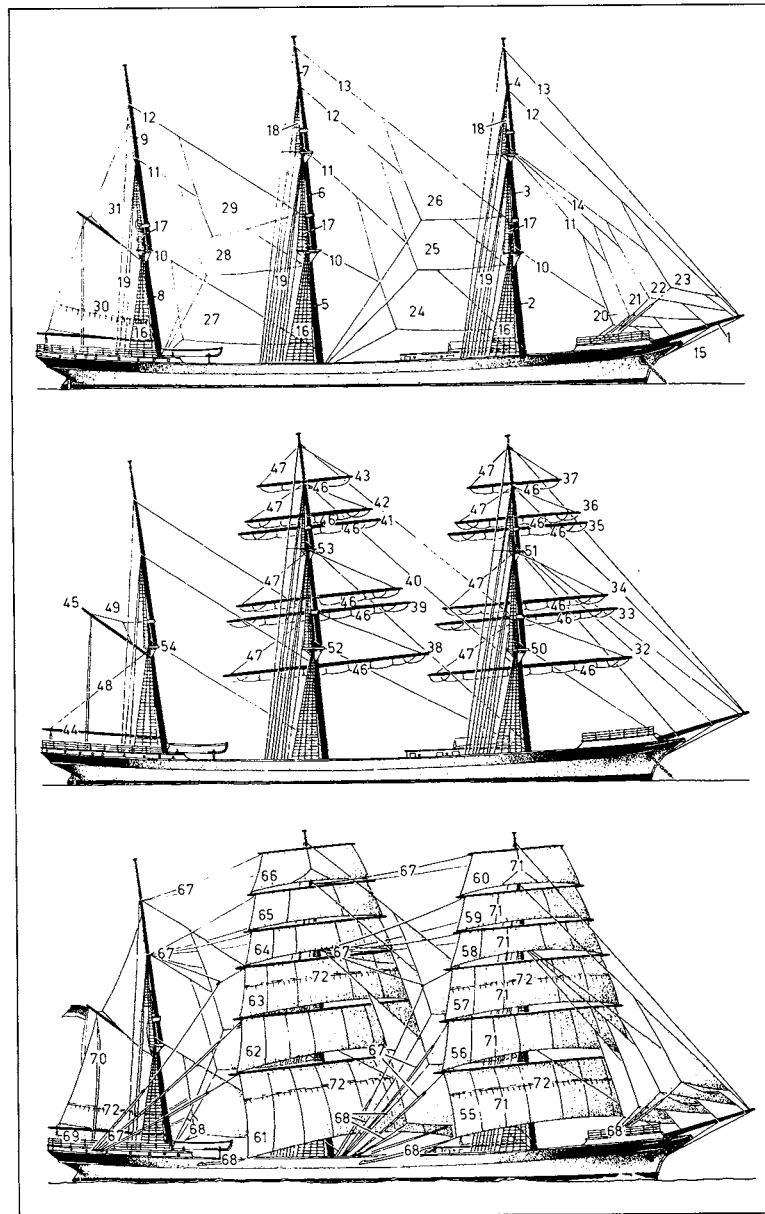
68 sheets

69 spanker sheet

70 spanker vangs

71 bunt line

72 reef



220 Sailing Ship II

1-5 sail shapes

- 1 gaffsail (*small*: trysail, spencer)
 2 jib
 3 lateen sail
 4 lugsail
 5 spritsail

6-8 single-masted sailing boats (*Am.* sailboats)

- 6 tjalk
 7 leeboard
 8 cutter

9, 10 mizzen (mizen) masted sailing boats (*Am.* sailboats)

- 9 ketch-rigged sailing barge
 10 yawl

11-17 two-masted sailing boats (*Am.* sailboats)**11-13 topsail schooner**

- 11 mainsail
 12 boom foresail
 13 square foresail
 14 brigantine
 15 half-rigged mast with fore-and-aft sails

16 full-rigged mast with square sails**17 brig****18-27 three-masted sailing vessels** (three-masters)

- 18 three-masted schooner
 19 three-masted topsail schooner
 20 bark (barque) schooner
 21-23 bark (barque) [cf. illustration of rigging and sails in plate 219]

21 foremast**22 mainmast****23 mizzen (mizen) mast****24-27 full-rigged ship**

- 24 mizzen (mizen) mast
 25 crossjack yard (crojack yard)
 26 crossjack (crojack)
 27 ports

28-31 four-masted sailing ships (four-masters)

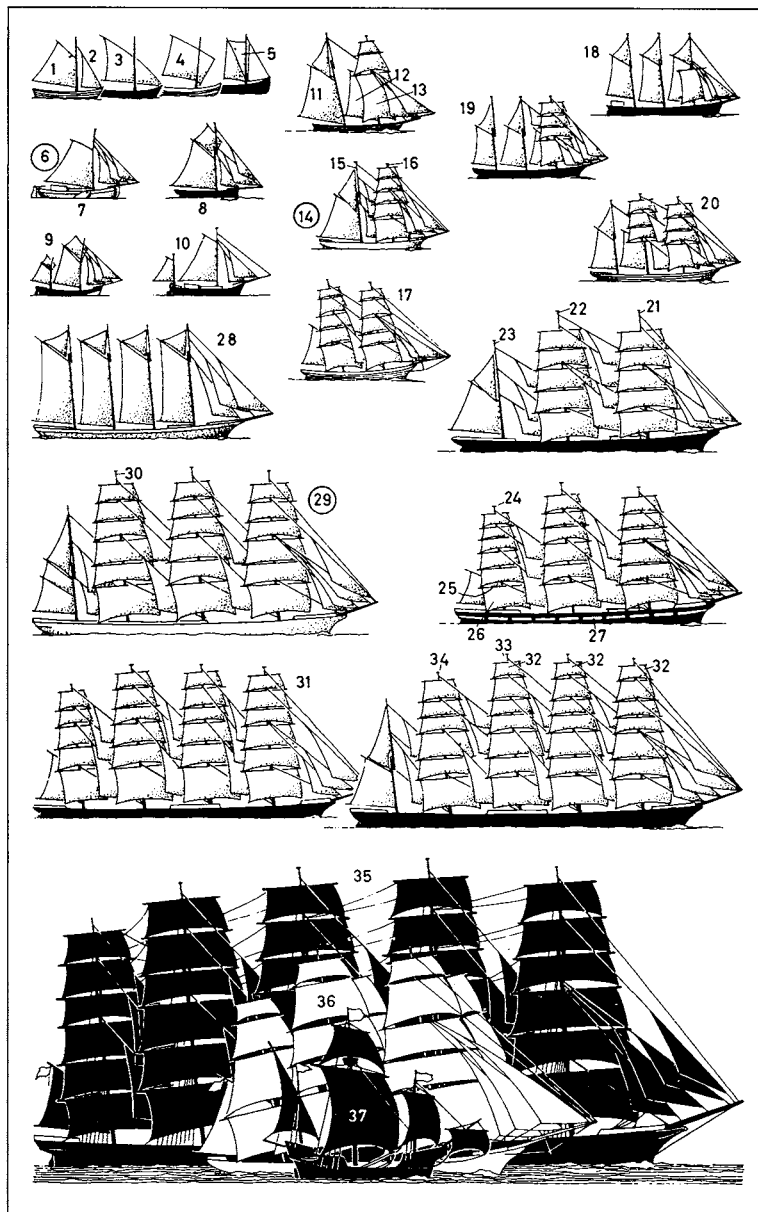
- 28 four-masted schooner
 29 four-masted bark (barque)
 30 mizzen (mizen) mast
 31 four-masted full-rigged ship

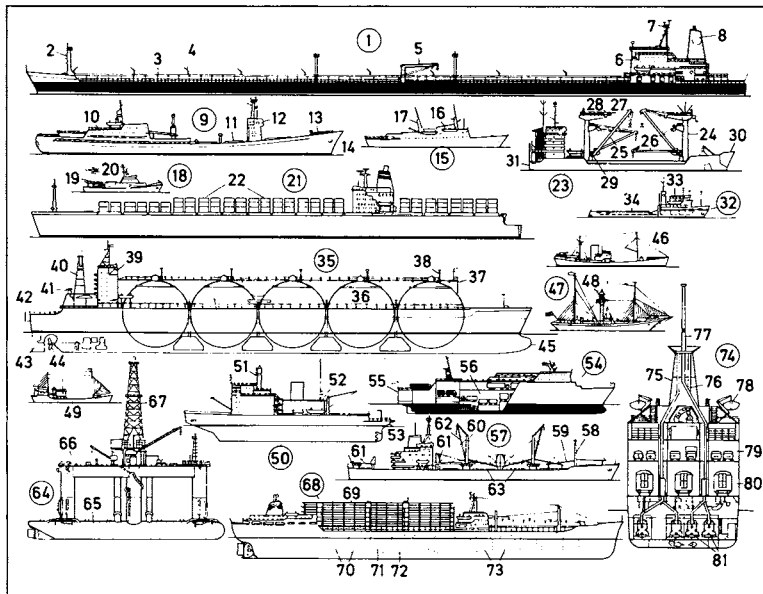
32-34 five-masted bark (barque)

- 32 skysail
 33 middle mast
 34 mizzen (mizen) mast

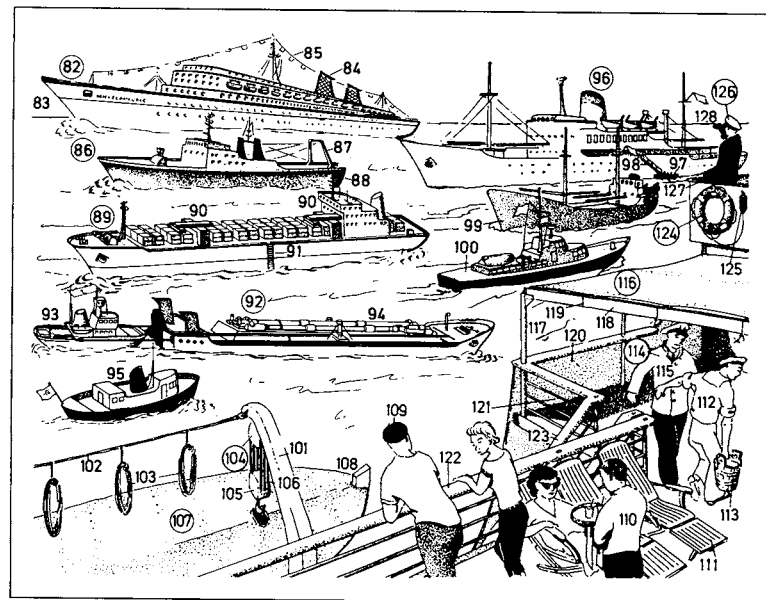
35-37 development of sailing ships over 400 years

- 35 five-masted full-rigged ship 'Preussen' 1902-10
 36 English clipper ship 'Spindrift' 1867
 37 caravel (carvel) 'Santa Maria' 1492

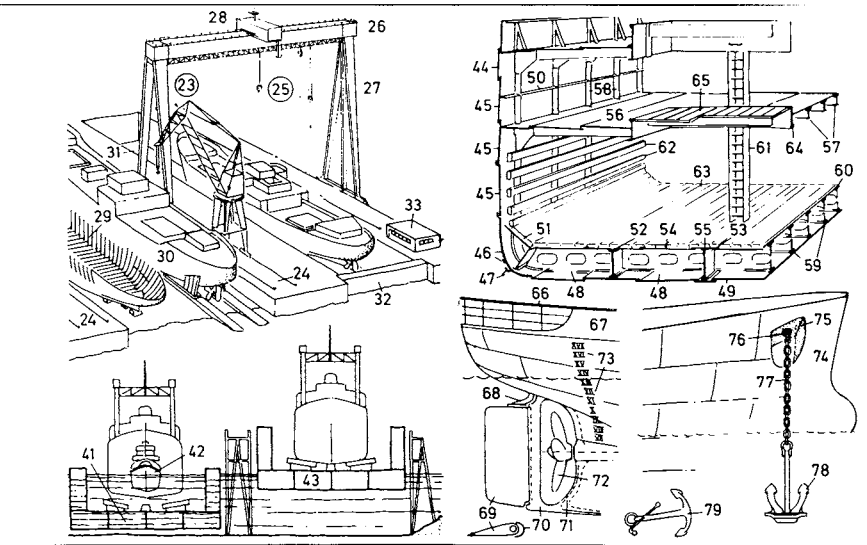
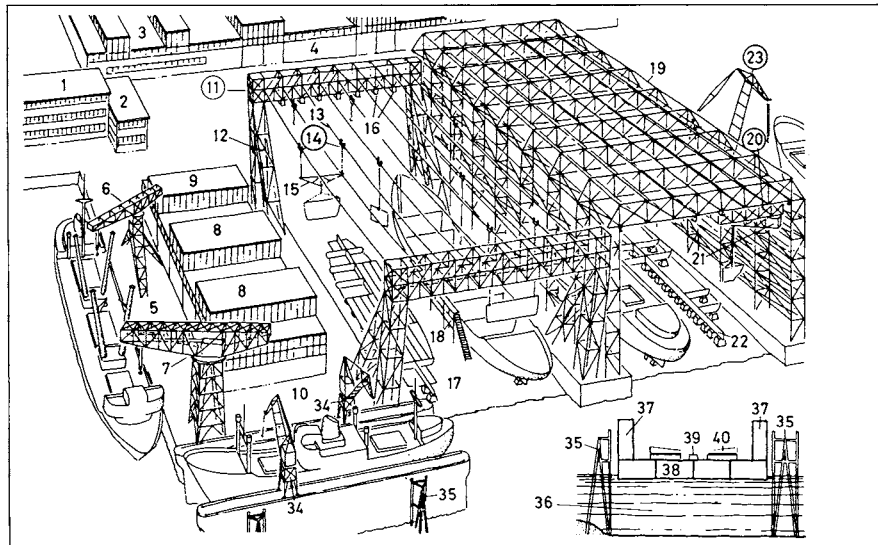




- | | | |
|---|---|--|
| 1 ULCC (ultra-large crude carrier) of the 'all-aft' type | 24-29 cargo gear (cargo-handling gear) | 47 lightship (light vessel) |
| 2 foremast | 24 bipod mast | 48 lantern (characteristic light) |
| 3 catwalk with pipes | 25 jumbo derrick boom (heavy-lift derrick boom) | 49 smack |
| 4 fire gun (fire nozzle) | 26 derrick boom (cargo boom) | 50 ice breaker |
| 5 deck crane | 27 tackle | 51 steaming light mast |
| 6 deckhouse with bridge | 28 block | 52 helicopter hangar |
| 7 aft signal (signalling) and radar mast | 29 thrust bearing | 53 stern towing point, for gripping the bow of ships in tow |
| 8 funnel | 30 bow doors | 54 roll-on-roll-off (ro-ro) trailer ferry |
| 9 nuclear research ship 'Otto Hahn', a bulk carrier | 31 stern loading door | 55 stern port (stern opening) with ramp |
| 10 aft superstructure (engine room) | 32 offshore drilling rig supply vessel | 56 heavy vehicle lifts (<i>Am.</i> heavy vehicle elevators) |
| 11 cargo hatchway for bulk goods (bulk cargoes) | 33 compact superstructure | 57 multi-purpose freighter |
| 12 bridge | 34 loading deck (working deck) | 58 ventilator-type samson (sampson) post (ventilator-type king post) |
| 13 forecastle (fo'c'sle) | 35 liquefied-gas tanker | 59 derrick boom (cargo boom, cargo gear, cargo-handling gear) |
| 14 stem | 36 spherical tank | 60 derrick mast |
| 15 seaside pleasure boat | 37 navigational television receiver mast | 61 deck crane |
| 16 dummy funnel | 38 vent mast | 62 jumbo derrick boom (heavy-lift derrick boom) |
| 17 exhaust mast | 39 deckhouse | 63 cargo hatchway |
| 18 rescue cruiser | 40 funnel | 64 semisubmersible drilling vessel |
| 19 helicopter platform (working deck) | 41 ventilator | 65 floating vessel with |
| 20 rescue helicopter | 42 transom stern (transom) | |
| 21 all-container ship | 43 rudder blade (rudder) | |
| 22 containers stowed on deck | 44 ship's propeller (ship's screw) | |
| 23 cargo ship | 45 bulbous bow | |
| | 46 steam trawler | |



- | | | |
|--|---|---|
| 66 drilling platform | 88 stern ramp | boat) covered with tarpaulin |
| 67 derrick | 89 container ship | 108 stem |
| 68 cattleship (cattle vessel) | 90 loading bridge (loading platform) | 109 passenger |
| 69 superstructure for transporting livestock | 91 sea ladder (jacob's ladder, rope ladder) | 110 steward |
| 70 fresh water tanks | 92 barge and push tug assembly | 111 deck-chair |
| 71 fuel tank | 93 push tug | 112 deck hand |
| 72 dung tank | 94 tug-pushed dumb barge (tug-pushed lighter) | 113 deck bucket |
| 73 fodder tanks | 95 pilot boat | 114 boatswain (bo's'n, bo'sun, bosun) |
| 74 train ferry [cross section] | 96 combined cargo and passenger liner | 115 tunic |
| 75 funnel | 97 passengers disembarking by boat | 116 awning |
| 76 exhaust pipes | 98 accommodation ladder | 117 stanchion |
| 77 mast | 99 coaster (coasting vessel) | 118 ridge rope (jackstay) |
| 78 ship's lifeboat hanging at the davit | 100 customs or police launch | 119 lashing |
| 79 car deck | 101-128 excursion steamer (pleasure steamer) | 120 bulwark |
| 80 main deck (train deck) | 101-106 lifeboat launching gear | 121 guard rail |
| 81 main engines | 101 davit | 122 handrail (top rail) |
| 82 passenger liner (liner, ocean liner) | 102 wire rope span | 123 companion ladder (companionway) |
| 83 stem | 103 lifeline | 124 lifebelt (lifebuoy) |
| 84 funnel with lattice casing | 104 tackle | 125 lifebuoy light (lifebelt light, signal light) |
| 85 flag dressing (rainbow dressing, string of flags extending over mast-heads, e.g., on the maiden voyage) | 105 block | 126 officer of the watch (watchkeeper) |
| 86 trawler , a factory ship | 106 fall | 127 reefer (<i>Am.</i> pea jacket) |
| 87 gallows | 107 ship's lifeboat (ship's | 128 binoculars |



1-43 shipyard (shipbuilding yard, dock-yard, *Am.* navy yard)

- 1 administrative offices
- 2 ship-drawing office
- 3, 4 shipbuilding sheds
- 5 mould (*Am.* mold) loft
- 4 erection shop
- 5-9 fitting-out quay
- 5 quay
- 6 tripod crane
- 7 hammer-headed crane
- 8 engineering workshop
- 9 boiler shop
- 10 repair quay
- 11-26 slipways (slips, building berths, building slips, stocks)
- 11-18 cable crane berth, a slipway (building berth)
- 11 slipway portal
- 12 bridge support
- 13 crane cable
- 14 crab (jenny)
- 15 cross piece
- 16 crane driver's cabin (crane driver's cage)
- 17 slipway floor
- 18 staging, a scaffold
- 19-21 frame slipway

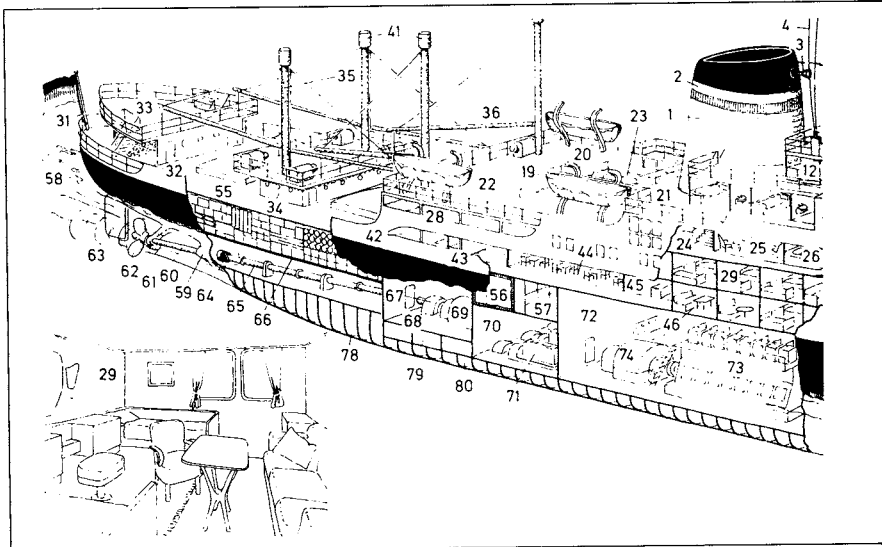
- 19 slipway frame
- 20 overhead travelling (*Am.* traveling) crane (gantry crane)
- 21 slewing crab
- 22 keel in position
- 23 luffing jib crane, a slipway crane
- 24 crane rails (crane track)
- 25 gantry crane
- 26 gantry (bridge)
- 27 trestles (supports)
- 28 crab (jenny)
- 29 hull frames in position
- 30 ship under construction
- 31-33 dry dock
- 31 dock floor (dock bottom)
- 32 dock gates (caisson)
- 33 pumping station (power house)
- 34-43 floating dock (pontoon dock)
- 34 dock crane (dockside crane), a jib crane
- 35 fender pile
- 36-43 working of docks
- 36 dock basin
- 37, 38 dock structure
- 37 side tank (side wall)
- 38 bottom tank (bottom pontoon)
- 39 keel block
- 40 bilge block (bilge shore, side support)

41-43 docking a ship

- 41 flooded floating dock
- 42 tug towing the ship
- 43 emptied (pumped-out) dock
- 44-61 structural parts of the ship
- 44-56 longitudinal structure
- 44-49 shell (shell plating, skin)
- 44 sheer strake
- 45 side strake
- 46 bilge strake
- 47 bilge keel
- 48 bottom plating
- 49 flat plate keel (keel plate)
- 50 stringer (side stringer)
- 51 tank margin plate
- 52 longitudinal side girder
- 53 centre (*Am.* center) plate girder (centre girder, kelson, keelson, vertical keel)
- 54 tank top plating (tank top, inner bottom plating)
- 55 centre (*Am.* center) strake
- 56 deck plating
- 57 deck beam
- 58 frame (rib)
- 59 floor plate
- 60 cellular double bottom
- 61 hold pillar (pillar)

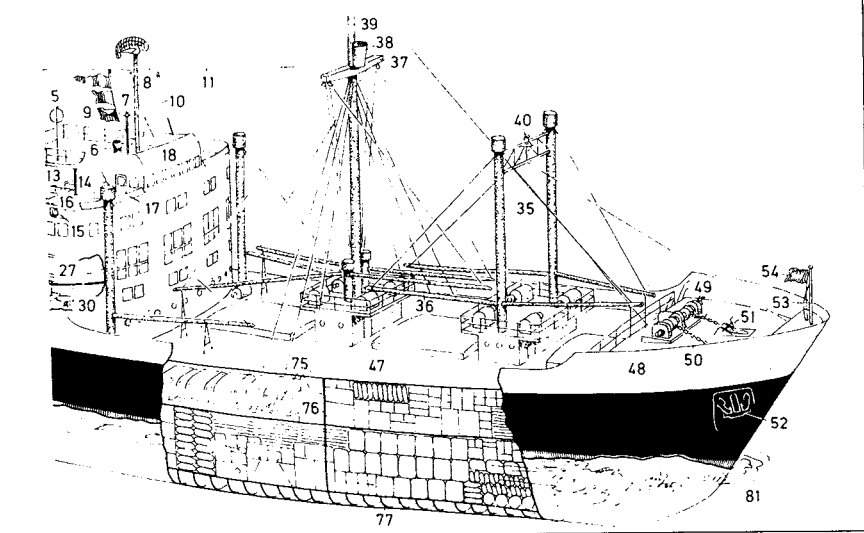
62, 63 dunnage

- 62 side battens (side ceiling, spar ceiling)
- 63 ceiling (floor ceiling)
- 64, 65 hatchway
- 64 hatch coaming
- 65 hatch cover (hatchboard)
- 66-72 stern
- 66 guard rail
- 67 bulwark
- 68 rudder stock
- 69, 70 Oertz rudder
- 69 rudder blade (rudder)
- 70, 71 stern frame
- 70 rudder post
- 71 propeller post (screw post)
- 72 ship's propeller (ship's screw)
- 73 draught (draft) marks
- 74-79 bow
- 74 stem, a bulbous stem (bulbous bow)
- 75 hawse
- 76 hawse pipe
- 77 anchor cable (chain cable)
- 78 stockless anchor (patent anchor)
- 79 stocked anchor

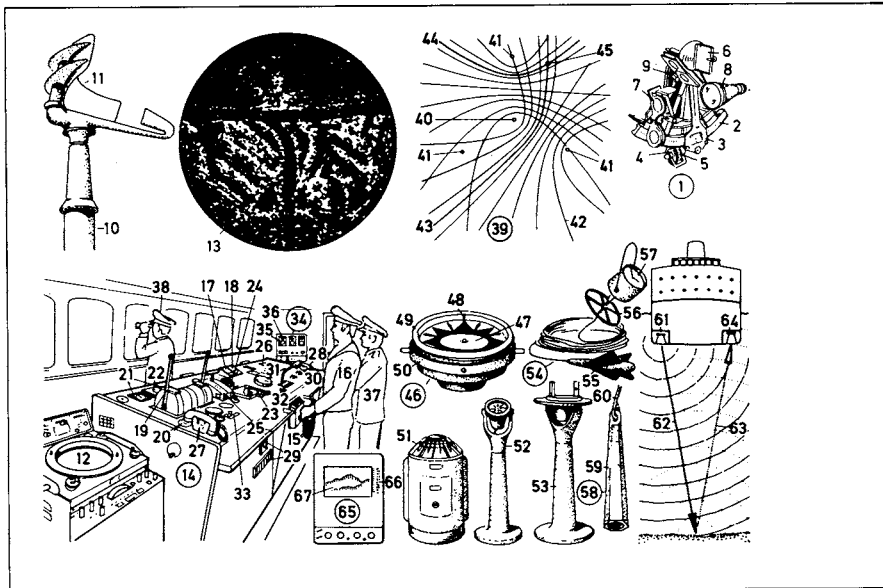


1-71 combined cargo and passenger ship [of the older type]

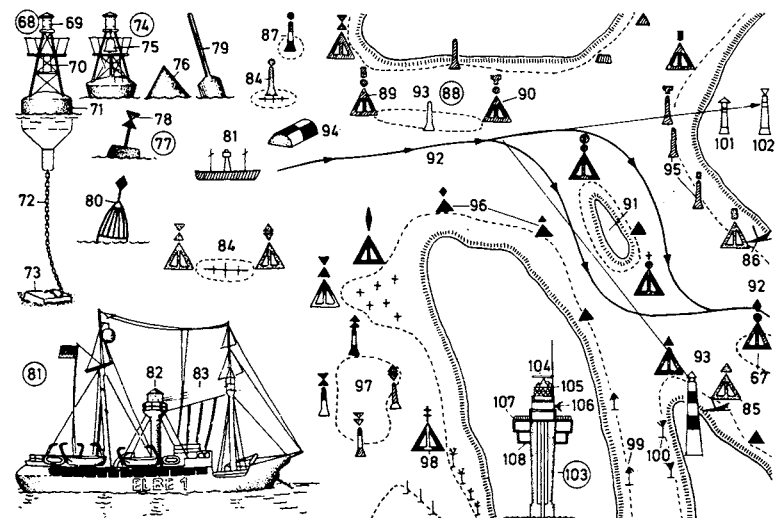
- 1 funnel
- 2 funnel marking
- 3 siren (fog horn)
- 4-11 compass platform** (compass bridge, compass flat, monkey bridge)
- 4 antenna lead-in (antenna down-lead)
- 5 radio direction finder (RDF) antenna (direction finder antenna, rotatable loop antenna, aural null loop antenna)
- 6 magnetic compass (mariner's compass)
- 7 morse lamp (signalling, *Am.* signalling, lamp)
- 8 radar antenna (radar scanner)
- 9 code flag signal
- 10 code flag halyards
- 11 triatic stay (signal stay)
- 12-18 bridge deck** (bridge)
- 12 radio room
- 13 captain's cabin
- 14 navigating bridge
- 15 starboard sidelight [green; port sidelight red]
- 16 wing of bridge
- 17 shelter (weather cloth, dodger)
- 18 wheelhouse
- 19-21 boat deck**
- 19 ship's lifeboat
- 20 davit
- 21 officer's cabin
- 22-27 promenade deck**
- 22 sun deck (lido deck)
- 23 swimming pool
- 24 companion ladder (companionway)
- 25 library (ship's library)
- 26 lounge
- 27 promenade
- 28-30 A-deck**
- 28 semi-enclosed deck space
- 29 double-berth cabin, a cabin
- 30 de luxe cabin
- 31 ensign staff
- 32-47 B-deck** (main deck)
- 32 after deck
- 33 poop
- 34 deckhouse
- 35 samson (sampson) post (king post)
- 36 derrick boom (cargo boom)
- 37 crosstrees (spreader)
- 38 crow's nest
- 39 topmast
- 40 forward steaming light



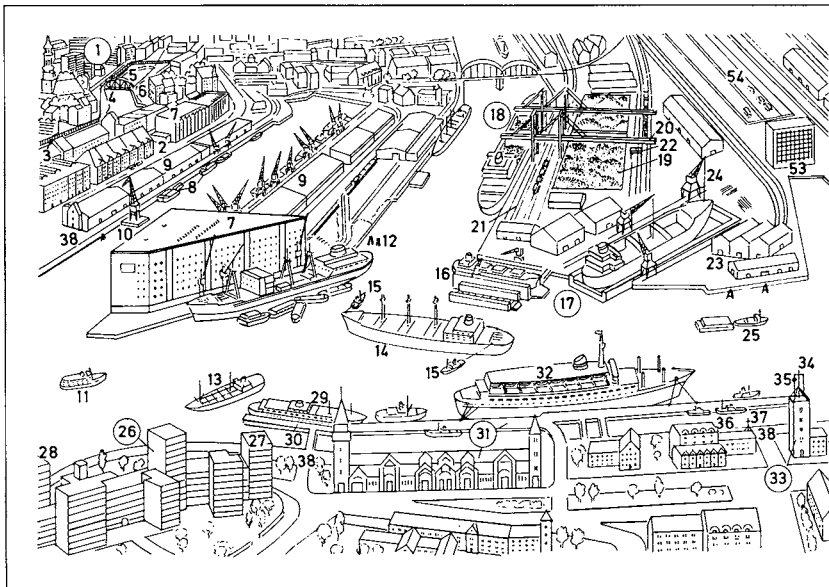
- 41 ventilator lead
- 42 galley (caboose, cookroom, ship's kitchen)
- 43 ship's pantry
- 44 dining room
- 45 purser's office
- 46 single-berth cabin
- 47 foredeck
- 48 forecastle (fo'c'sle)
- 49-51 ground tackle**
- 49 windlass
- 50 anchor cable (chain cable)
- 51 compressor (chain compressor)
- 52 anchor
- 53 jackstaff
- 54 jack
- 55 after holds
- 56 cold storage room (insulated hold)
- 57 store room
- 58 wake
- 59 shell bossing (shaft bossing)
- 60 tail shaft (tail end shaft)
- 61 shaft strut (strut, spectacle frame, propeller strut, propeller bracket)
- 62 three-blade ship's propeller (ship's screw)
- 63 rudder blade (rudder)
- 64 stuffing box
- 65 propeller shaft
- 66 shaft alley (shaft tunnel)
- 67 thrust block
- 68-74 diesel-electric drive**
- 68 electric engine room
- 69 electric motor
- 70 auxiliary engine room
- 71 auxiliary engines
- 72 main engine room
- 73 main engine, a diesel engine
- 74 generator
- 75 forward holds
- 76 tween deck
- 77 cargo
- 78 ballast tank (deep tank) for water ballast
- 79 fresh water tank
- 80 fuel tank
- 81 bow wave



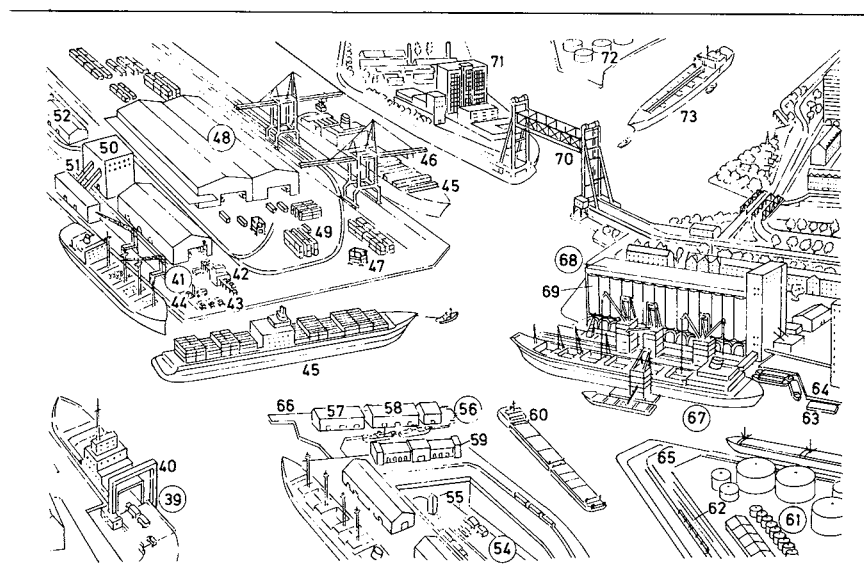
- | | | |
|--|--|---|
| 1 sextant | 21 main engine revolution indicator | 37 navigating officer |
| 2 graduated arc | 22 captain | 38 captain |
| 3 index bar (index arm) | 23 ship's speedometer (log) | 39 Decca navigation system |
| 4 decimal micrometer | 24 control switch for bow thruster (bow-maneuvring, <i>Am.</i> maneuvering, propeller) | 40 master station |
| 5 vernier | 25 echo recorder (depth recorder, echograph) | 41 slave station |
| 6 index mirror | 26 engine telegraph (engine order telegraph) | 42 null hyperbola |
| 7 horizon glass (horizon mirror) | 27 controls for the anti-rolling system (for the stabilizers) | 43 hyperbolic position line 1 |
| 8 telescope | 28 local-battery telephone | 44 hyperbolic position line 2 |
| 9 grip (handgrip) | 29 shipping traffic radio telephone | 45 position (fix, ship fix) |
| 10-13 radar equipment (radar apparatus) | 30 navigation light indicator panel (running light indicator panel) | 46-53 compasses |
| 10 radar pedestal | 31 microphone for ship's address system | 46 liquid compass (fluid compass, spirit compass, wet compass), a magnetic compass |
| 11 revolving radar reflector | 32 gyro compass (gyroscopic compass), a compass | 47 compass card |
| 12 radar display unit (radar screen) | 33 repeater (gyro compass) | 48 compass card |
| 13 radar image (radar picture) | 34 control button for the ship's siren (ship's fog horn) | 49 lubber's line (lubber's mark, lubber's point) |
| 14-38 wheelhouse | 35 main engine overload indicator | 50 compass bowl |
| 14 steering and control position | 36 Decca position-finder (Decca Navigator) | 51 gimbal ring |
| 15 ship's wheel for controlling the rudder mechanism | 37 rough focusing indicator | 51-53 gyro compass (gyroscopic compass, gyro compass unit) |
| 16 helmsman (<i>Am.</i> wheelman) | 38 fine focusing indicator | 51 master compass (master gyro compass) |
| 17 rudder angle indicator | | 52 compass repeater (gyro repeater) |
| 18 automatic pilot (autopilot) | | 53 compass repeater with pelorus |
| 19 control lever for the variable-pitch propeller (reversible propeller, feathering propeller, feathering screw) | | 54 patent log (screw log, mechanical log, towing log, taffrail log, speedometer) |
| 20 propeller pitch indicator | | 55 rotator |
| | | 56 governor |



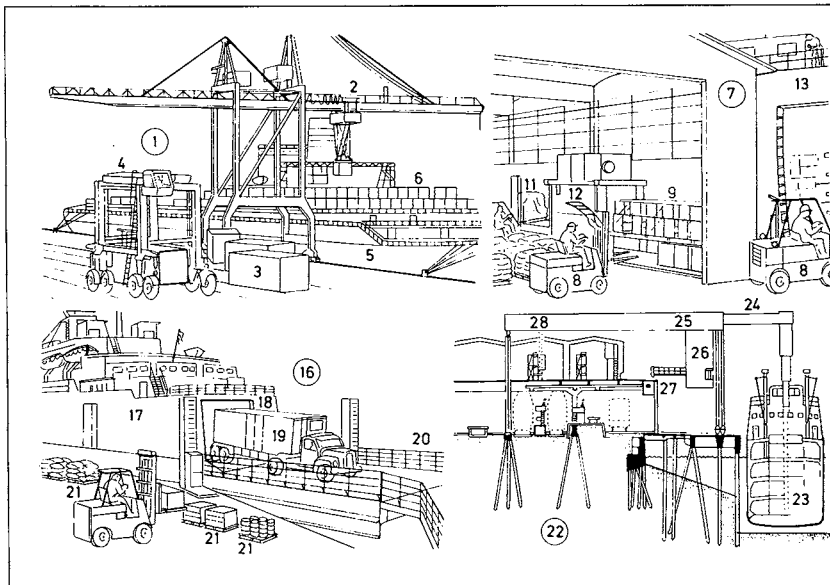
- | | | |
|--|--|---|
| 57 log clock | 77 can buoy | 96 starboard hand buoys (starboard hand marks) [black] |
| 58-67 leads | 78 topmark | 97 shoals (shallows, shallow water, <i>Am.</i> flats) outside the fairway |
| 58 hand lead | 79 spar buoy | 98 middle of the fairway (mid-channel) |
| 59 lead (lead sinker) | 80 topmark buoy | 99 starboard markers [inverted broom] |
| 60 leadline | 81 lightship (light vessel) | 100 port markers [upward-pointing broom] |
| 61-67 echo sounder (echo sounding machine) | 82 lantern mast (lantern tower) | 101, 102 range lights (leading lights) |
| 61 sound transmitter | 83 beam of light | 101 lower range light (lower leading light) |
| 62 sound wave (sound impulse) | 84-102 fairway markings (channel markings) | 102 higher range light (higher leading light) |
| 63 echo (sound echo, echo signal) | 84 wreck [green buoys] | 103 lighthouse |
| 64 echo receiver (hydrophone) | 85 wreck to starboard | 104 radar antenna (radar scanner) |
| 65 echograph (echo sounding machine recorder) | 86 wreck to port | 105 lantern (characteristic light) |
| 66 depth scale | 87 shoals (shallows, shallow water, <i>Am.</i> flats) | 106 radio direction finder (RDF) antenna |
| 67 echogram (depth recording, depth reading) | 88 middle ground to port division (bifurcation) [beginning of the middle ground; topmark: red cylinder above red ball] | 107 machinery and observation platform (machinery and observation deck) |
| 68-108 sea marks (floating navigational marks) for buoyage and lighting systems | 89 middle ground to port division [beginning of the middle ground; topmark: red St. Antony's cross above red ball] | 108 living quarters |
| 68-83 fairway marks (channel marks) | 90 convergence (confluence) [end of the middle ground; topmark: red St. Antony's cross above red ball] | |
| 68 light and whistle buoy | 91 middle ground to port division [beginning of the middle ground; topmark: red cylinder above red ball] | |
| 69 light (warning light) | 92 main fairway (main navigable channel) | |
| 70 whistle | 93 secondary fairway (secondary navigable channel) | |
| 71 buoy | 94 can buoy | |
| 72 mooring chain | 95 port hand buoys (port hand marks) [red] | |
| 73 sinker (mooring sinker) | | |
| 74 light and bell buoy | | |
| 75 bell | | |
| 76 conical buoy | | |



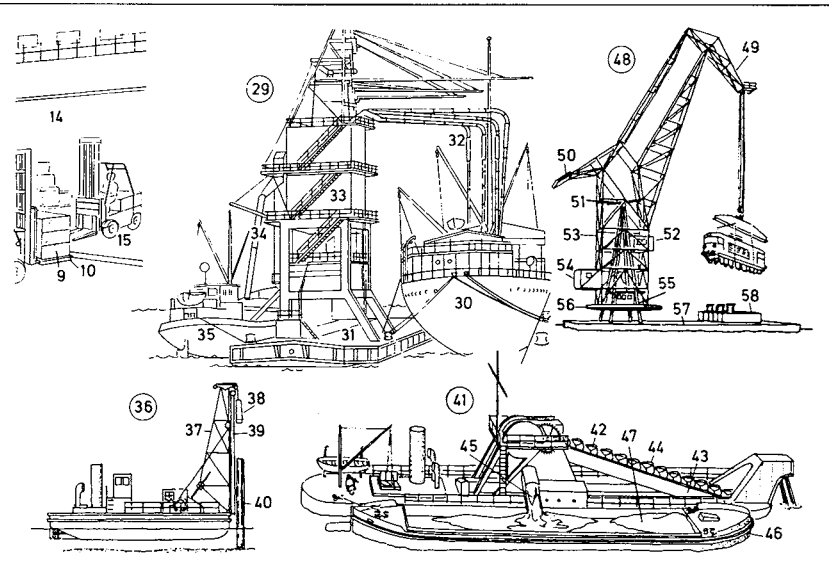
- | | |
|--|---|
| 1 dock area | 18 coal wharf |
| 2 free port (foreign trade zone) | 19 coal bunker |
| 3 free zone frontier (free zone enclosure) | 20 transporter loading bridge |
| 4 customs barrier | 21 quayside railway |
| 5 customs entrance | 22 weighing bunker |
| 6 port custom house | 23 warehouse |
| 7 entrepôt | 24 quayside crane |
| 8 barge (dumb barge, lighter) | 25 launch and lighter |
| 9 break-bulk cargo transit shed (general cargo transit shed, package cargo transit shed) | 26 port hospital |
| 10 floating crane | 27 quarantine wing |
| 11 harbour (Am. harbor) ferry (ferry-boat) | 28 Institute of Tropical Medicine |
| 12 fender (dolphin) | 29 excursion steamer (pleasure steamer) |
| 13 bunkering boat | 30 jetty |
| 14 break-bulk carrier (general cargo ship) | 31 passenger terminal |
| 15 tug | 32 liner (passenger liner, ocean liner) |
| 16 floating dock (pontoon dock) | 33 meteorological office, a weather station |
| 17 dry dock | 34 signal mast (signalling mast) |
| | 35 storm signal |
| | 36 port administration offices |
| | 37 tide level indicator |
| | 38 quayside road (quayside roadway) |



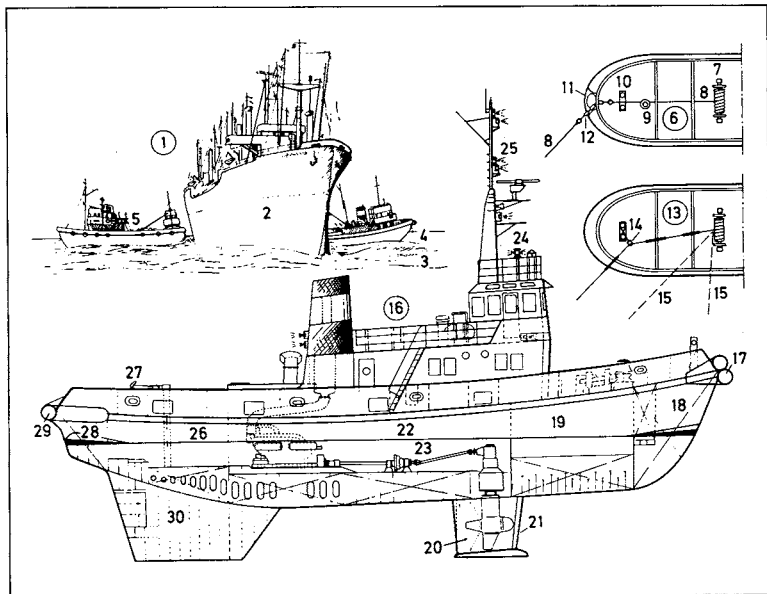
- | | |
|---|------------------------------------|
| 39 roll-on roll-off (ro-ro) system (roll-on roll-off operation) | 57 fish market |
| 40 gantry | 58 auction room |
| 41 truck-to-truck system (truck-to-truck operation) | 59 fish-canning factory |
| 42 foil-wrapped unit loads | 60 push tow |
| 43 pallets | 61 tank farm |
| 44 forklift truck (fork truck, forklift) | 62 railway siding |
| 45 container ship | 63 landing pontoon (landing stage) |
| 46 transporter container-loading bridge | 64 quay |
| 47 container carrier truck | 65 breakwater (mole) |
| 48 container terminal (container berth) | 66 pier (jetty), a quay extension |
| 49 unit load | 67 bulk carrier |
| 50 cold store | 68 silo |
| 51 conveyor belt (conveyor) | 69 silo cylinder |
| 52 fruit storage shed (fruit warehouse) | 70 lift bridge |
| 53 office building | 71 industrial plant |
| 54 urban motorway (Am. freeway) | 72 storage tanks |
| 55 harbour (Am. harbor) tunnels | 73 tanker |
| 56 fish dock | |



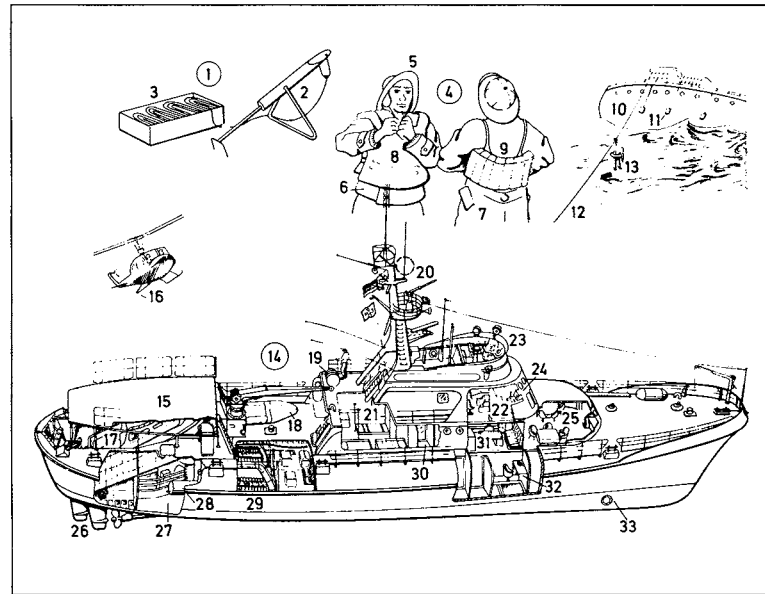
- | | |
|--|---|
| 1 container terminal (container berth), a modern cargo-handling berth | 17 roll-on roll-off ship (ro-ro-ship) |
| 2 transporter container-loading bridge (loading bridge); <i>sim.</i> : transtainer crane (transtainer) | 18 stern port (stern opening) |
| 3 container | 19 driven load, a lorry (<i>Am.</i> truck) |
| 4 truck (carrier) | 20 ro-ro depot |
| 5 all-container ship | 21 unitized load (unitized package) |
| 6 containers stowed on deck | 22 banana-handling terminal [section] |
| 7 truck-to-truck handling (horizontal cargo handling with pallets) | 23 seaward tumbler |
| 8 forklift truck (fork truck, forklift) | 24 jib |
| 9 unitized foil-wrapped load (unit load) | 25 elevator bridge |
| 10 flat pallet, a standard pallet | 26 chain sling |
| 11 unitized break-bulk cargo | 27 lighting station |
| 12 heat sealing machine | 28 shore-side tumbler for loading trains and lorries (<i>Am.</i> trucks) |
| 13 break-bulk carrier (general cargo ship) | |
| 14 cargo hatchway | |
| 15 receiving truck on board ship | |
| 16 multi-purpose terminal | |



- | | |
|---------------------------------|---|
| 29 bulk cargo handling | 52 crane driver's cabin (crane driver's cage) |
| 30 bulk carrier | 53 crane framework |
| 31 floating bulk-cargo elevator | 54 winch house |
| 32 suction pipes | 55 control platform |
| 33 receiver | 56 turntable |
| 34 delivery pipe | 57 pontoon, a pram |
| 35 bulk transporter barge | 58 engine superstructure (engine mounting) |
| 36 floating pile driver | |
| 37 pile driver frame | |
| 38 pile hammer | |
| 39 driving guide rail | |
| 40 pile | |
| 41 bucket dredger, a dredger | |
| 42 bucket chain | |
| 43 bucket ladder | |
| 44 dredger bucket | |
| 45 chute | |
| 46 hopper barge | |
| 47 spoil | |
| 48 floating crane | |
| 49 jib (boom) | |
| 50 counterweight (counterpoise) | |
| 51 adjusting spindle | |



- | | |
|---|---|
| 1 salvaging (salving) of a ship run aground | 18 forepeak |
| 2 ship run aground (damaged vessel) | 19 living quarters |
| 3 sandbank; <i>also</i> : quicksand | 20 Schottel propeller |
| 4 open sea | 21 Kort vent |
| 5 tug (salvage tug) | 22 engine and propeller room |
| 6-15 towing gear | 23 clutch coupling |
| 6 towing gear for towing at sea | 24 compass platform (compass bridge, compass flat, monkey bridge) |
| 7 towing winch (towing machine, towing engine) | 25 fire-fighting equipment |
| 8 tow rope (tow line, towing hawser) | 26 stowage |
| 9 tow rope guide | 27 tow hook |
| 10 cross-shaped bollard | 28 afterpeak |
| 11 hawse hole | 29 stern fender |
| 12 anchor cable (chain cable) | 30 main manoeuvring (<i>Am.</i> manoeuvring) keel |
| 13 towing gear for work in harbours (<i>Am.</i> harbors) | |
| 14 guest rope | |
| 15 position of the tow rope (tow line, towing hawser) | |
| 16 tug (salvage tug) [vertical elevation] | |
| 17 bow fender (pudding fender) | |



- | | |
|--|---|
| 1 rocket apparatus (rocket gun, line-throwing gun) | 21 hospital unit with operating cabin and exposure bath |
| 2 life rocket (rocket) | 22 navigating bridge |
| 3 rocket line (whip line) | 23 upper tier of navigating bridge |
| 4 oilskins | 24 lower tier of navigating bridge |
| 5 sou'wester (southwester) | 25 messroom |
| 6 oilskin jacket | 26 rudders and propeller (screw) |
| 7 oilskin coat | 27 stowage |
| 8 inflatable life jacket | 28 foam can |
| 9 cork life jacket (cork life preserver) | 29 side engines |
| 10 stranded ship (damaged vessel) | 30 shower |
| 11 oil bag, for trickling oil on the water surface | 31 coxswain's cabin |
| 12 lifeline | 32 crew member's single-berth cabin |
| 13 breeches buoy | 33 bow propeller |
| 14 rescue cruiser | |
| 15 helicopter landing deck | |
| 16 rescue helicopter | |
| 17 daughter boat | |
| 18 inflatable boat (inflatable dinghy) | |
| 19 life raft | |
| 20 fire-fighting equipment for fires at sea | |

1-14 wing configurations

- 1 high-wing monoplane (high-wing plane)
- 2 span (wing span)
- 3 shoulder-wing monoplane (shoulder-wing plane)
- 4 midwing monoplane (midwing plane)
- 5 low-wing monoplane (low-wing plane)
- 6 triplane
- 7 upper wing
- 8 middle wing (central wing)
- 9 lower wing
- 10 biplane
- 11 strut
- 12 cross bracing wires
- 13 sesquiplane
- 14 low-wing monoplane (low-wing plane) with cranked wings (inverted gull wings)

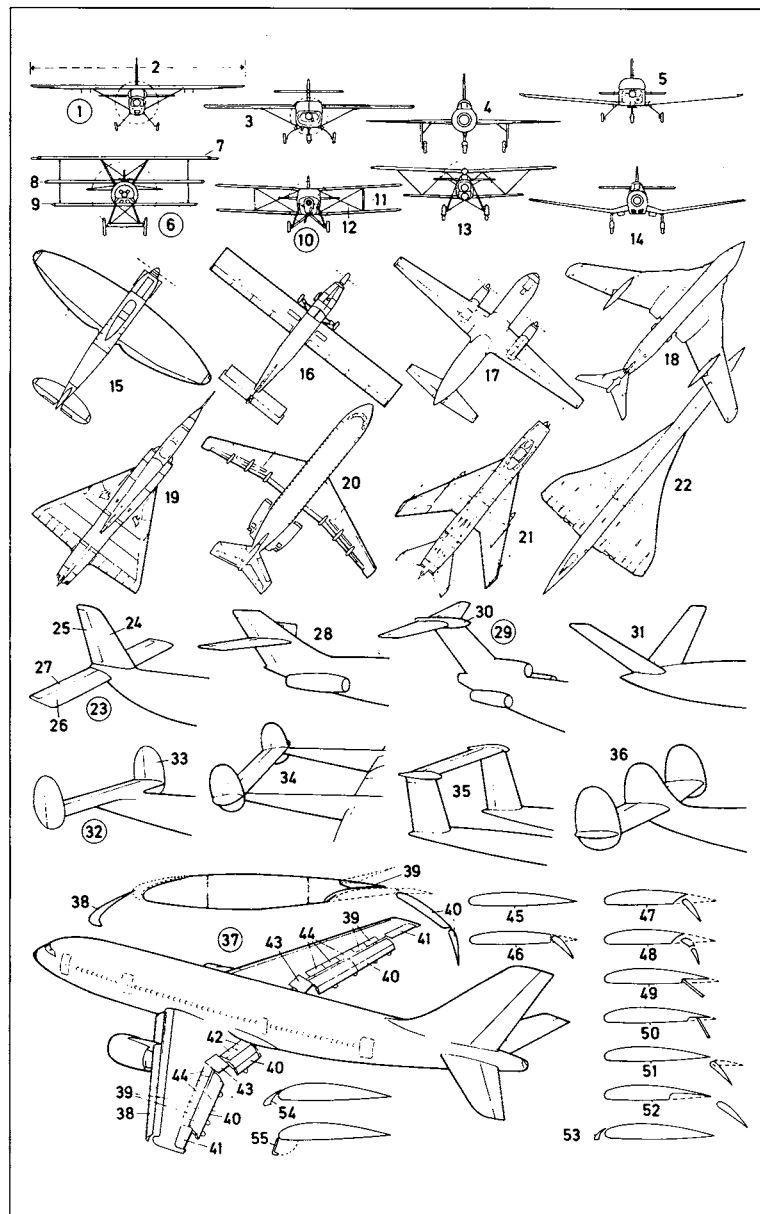
15-22 wing shapes

- 15 elliptical wing
- 16 rectangular wing
- 17 tapered wing
- 18 crescent wing
- 19 delta wing
- 20 swept-back wing with semi-positive sweepback
- 21 swept-back wing with positive sweepback
- 22 ogival wing (ogee wing)

23-36 tail shapes (tail unit shapes, empennage shapes)

- 23 normal tail (normal tail unit)
- 24, 25 vertical tail (vertical stabilizer and rudder)
- 24 vertical stabilizer (vertical fin, tail fin)
- 25 rudder
- 26, 27 horizontal tail
- 26 tailplane (horizontal stabilizer)
- 27 elevator
- 28 cruciform tail (cruciform tail unit)
- 29 T-tail (T-tail unit)
- 30 lobe

- 31 V-tail (vee-tail, butterfly tail)
- 32 double tail unit (twin tail unit)
- 33 end plate
- 34 double tail unit (twin tail unit) of a twin-boom aircraft
- 35 raised horizontal tail with double booms
- 36 triple tail unit
- 37 system of flaps
- 38 extensible slat
- 39 spoiler
- 40 double-slotted Fowler flap
- 41 outer aileron (low-speed aileron)
- 42 inner spoiler (landing flap, lift dump)
- 43 inner aileron (all-speed aileron)
- 44 brake flap (air brake)
- 45 basic profile
- 46-48 plain flaps (simple flaps)
- 46 normal flap
- 47 slotted flap
- 48 double-slotted flap
- 49, 50 split flaps
- 49 plain split flap (simple split flap)
- 50 zap flap
- 51 extending flap
- 52 Fowler flap
- 53 slat
- 54 profiled leading-edge flap (droop flap)
- 55 Krüger flap

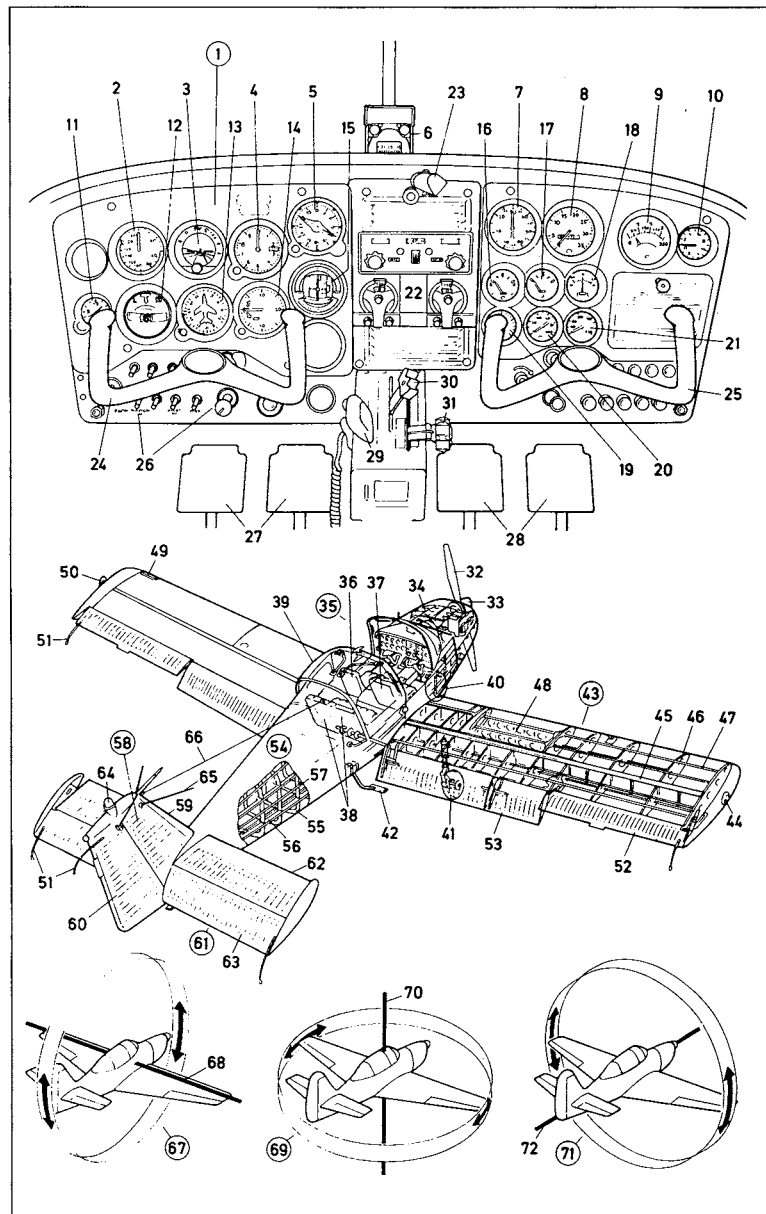


230 Aircraft II

1-31 cockpit of a single-engine (single-engined) racing and passenger aircraft (racing and passenger plane)

- 1 instrument panel
- 2 air-speed (*Am.* airspeed) indicator
- 3 artificial horizon (gyro horizon)
- 4 altimeter
- 5 radio compass (automatic direction finder)
- 6 magnetic compass
- 7 boost gauge (*Am.* gage)
- 8 tachometer (rev counter, revolution counter)
- 9 cylinder temperature gauge (*Am.* gage)
- 10 accelerometer
- 11 chronometer
- 12 turn indicator with ball
- 13 directional gyro
- 14 vertical speed indicator (rate-of-climb indicator, variometer)
- 15 VOR radio direction finder [*VOR: very high frequency omnidirectional range*]
- 16 left tank fuel gauge (*Am.* gage)
- 17 right tank fuel gauge (*Am.* gage)
- 18 ammeter
- 19 fuel pressure gauge (*Am.* gage)
- 20 oil pressure gauge (*Am.* gage)
- 21 oil temperature gauge (*Am.* gage)
- 22 radio and radio navigation equipment
- 23 map light
- 24 wheel (control column, control stick) for operating the ailerons and elevators
- 25 co-pilot's wheel
- 26 switches
- 27 rudder pedals
- 28 co-pilot's rudder pedals
- 29 microphone for the radio
- 30 throttle lever (throttle control)
- 31 mixture control
- 32-66 single-engine (single-engined) racing and passenger aircraft (racing and passenger plane)**
- 32 propeller (airscrew)
- 33 spinner
- 34 flat four engine
- 35 cockpit

- 36 pilot's seat
- 37 co-pilot's seat
- 38 passenger seats
- 39 hood (canopy, cockpit hood, cockpit canopy)
- 40 steerable nose wheel
- 41 main undercarriage unit (main landing gear unit)
- 42 step
- 43 wing
- 44 right navigation light (right position light)
- 45 spar
- 46 rib
- 47 stringer (longitudinal reinforcing member)
- 48 fuel tank
- 49 landing light
- 50 left navigation light (left position light)
- 51 electrostatic conductor
- 52 aileron
- 53 landing flap
- 54 fuselage (body)
- 55 frame (former)
- 56 chord
- 57 stringer (longitudinal reinforcing member)
- 58 vertical tail (vertical stabilizer and rudder)
- 59 vertical stabilizer (vertical fin, tail fin)
- 60 rudder
- 61 horizontal tail
- 62 tailplane (horizontal stabilizer)
- 63 elevator
- 64 warning light (anticollision light)
- 65 dipole antenna
- 66 long-wire antenna (long-conductor antenna)
- 67-72 principal manoeuvres (*Am.* manoeuvres) of the aircraft (aeroplane, plane, *Am.* airplane)**
- 67 pitching
- 68 lateral axis
- 69 yawing
- 70 vertical axis (normal axis)
- 71 rolling
- 72 longitudinal axis



231 Aircraft III

1-33 types of aircraft (aeroplanes, planes, *Am.* airplanes)

1-6 propeller-driven aircraft (aeroplanes, planes, *Am.* airplanes)

1 single-engine (single-engined) racing and passenger aircraft (racing and passenger plane), a low-wing monoplane (low-wing plane)

2 single-engine (single-engined) passenger aircraft, a high-wing monoplane (high-wing plane)

3 twin-engine (twin-engined) business and passenger aircraft (business and passenger plane)

4 short/medium haul airliner, a turboprop plane (turbopropeller plane, propeller-turbine plane)

5 turboprop engine (turbopropeller engine)

6 vertical stabilizer (vertical fin, tail fin)

7-33 jet planes (jet aeroplanes, jets, *Am.* jet airplanes)

7 twin-jet business and passenger aircraft (business and passenger plane)

8 fence

9 wing-tip tank (tip tank)

10 rear engine

11 twin-jet short/medium haul airliner

12 tri-jet medium haul airliner

13 four-jet long haul airliner

14 wide-body long haul airliner (jumbo jet)

15 supersonic airliner [*Concorde*]

16 droop nose

17 twin-jet wide-body airliner for short/medium haul routes (airbus)

18 radar nose (radome, radar dome) with weather radar antenna

19 cockpit

20 galley

21 cargo hold (hold, underfloor hold)

22 passenger cabin with passenger seats

23 retractable nose undercarriage unit (retractable nose landing gear unit)

24 nose undercarriage flap (nose gear flap)

25 centre (*Am.* center) passenger door

26 engine pod with engine (turbojet engine, jet turbine engine, jet engine, jet turbine)

27 electrostatic conductors

28 retractable main undercarriage unit (retractable main landing gear unit)

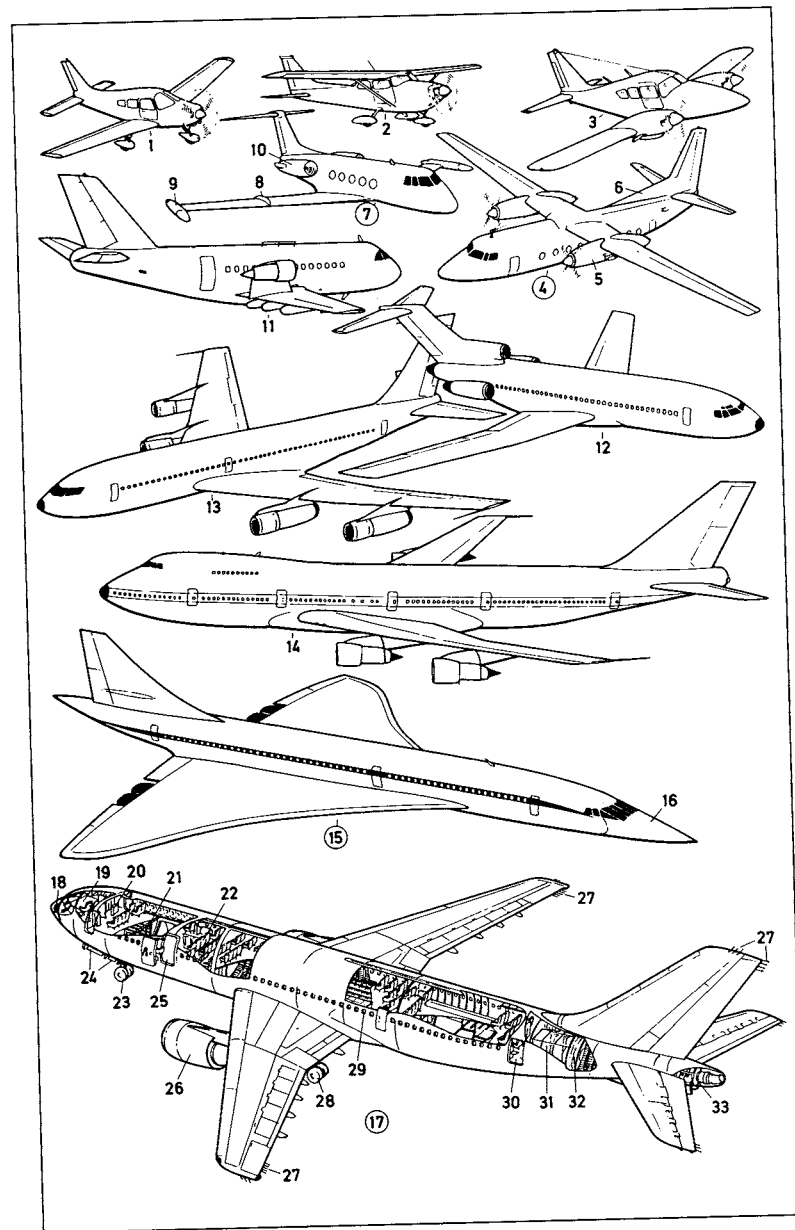
29 side window

30 rear passenger door

31 toilet (lavatory, WC)

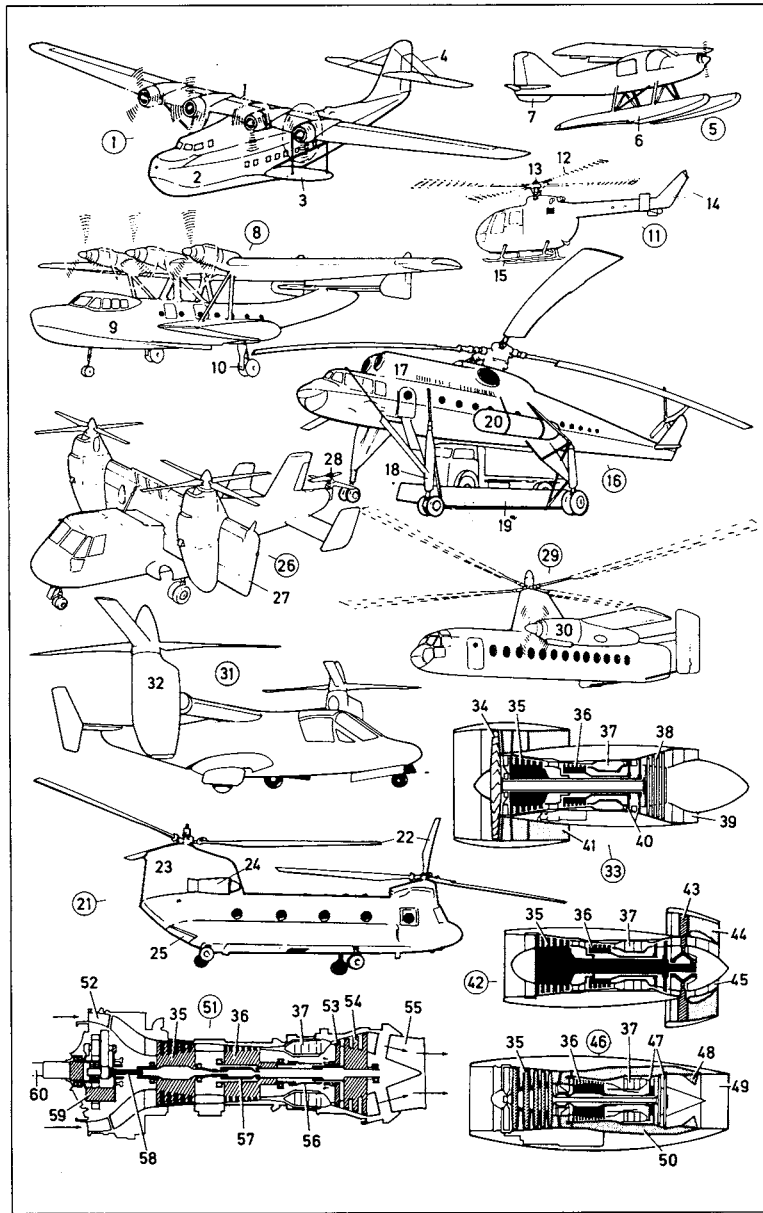
32 pressure bulkhead

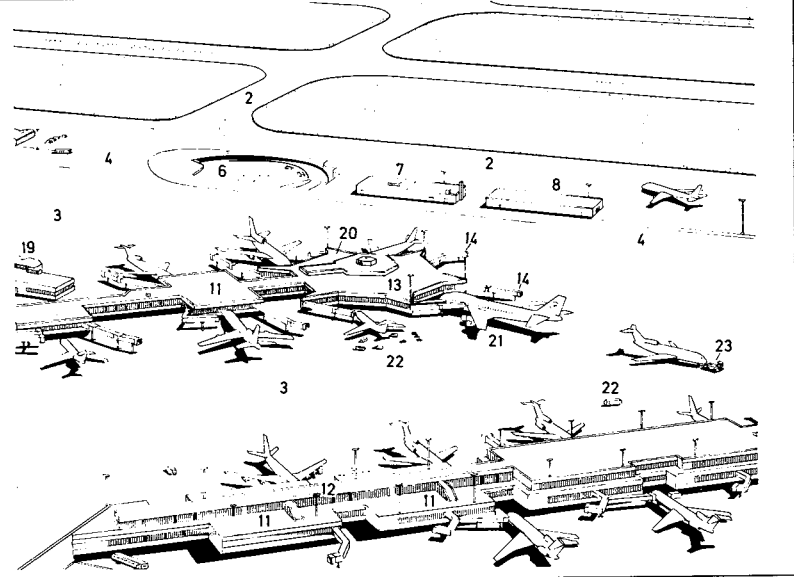
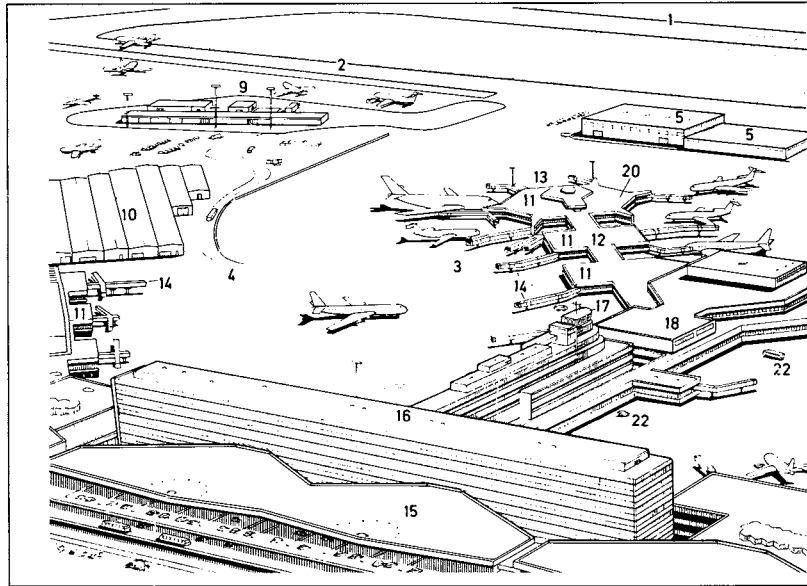
33 auxiliary engine (auxiliary gas turbine) for the generator unit



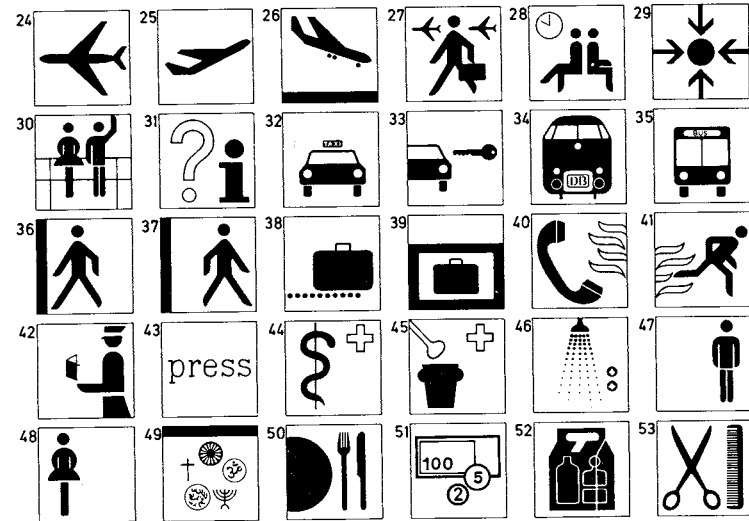
- 1 flying boat, a seaplane
- 2 hull
- 3 stub wing (sea wing)
- 4 tail bracing wires
- 5 floatplane (float seaplane), a seaplane
- 6 float
- 7 vertical stabilizer (vertical fin, tail fin)
- 8 amphibian (amphibian flying boat)
- 9 hull
- 10 retractable undercarriage (retractable landing gear)
- 11-25 helicopters**
- 11 light multirole helicopter
- 12, 13 main rotor
- 12 rotary wing (rotor blade)
- 13 rotor head
- 14 tail rotor (anti-torque rotor)
- 15 landing skids
- 16 flying crane
- 17 turbine engines
- 18 lifting undercarriage
- 19 lifting platform
- 20 reserve tank
- 21 transport helicopter
- 22 rotors in tandem
- 23 rotor pylon
- 24 turbine engine
- 25 tail loading gate
- 26-32 V/STOL aircraft** (vertical/short take-off and landing aircraft)
- 26 tilt-wing aircraft, a VTOL aircraft (vertical take-off and landing aircraft)
- 27 tilt wing in vertical position
- 28 contrarotating tail propellers
- 29 gyrodyne
- 30 turboprop engine (turbopropeller engine)
- 31 convertiplane
- 32 tilting rotor in vertical position
- 33-60 aircraft engines** (aero engines)
- 33-50 jet engines** (turbojet engines, jet turbine engines, jet turbines)
- 33 front fan-jet

- 34 fan
- 35 low-pressure compressor
- 36 high-pressure compressor
- 37 combustion chamber
- 38 fan-jet turbine
- 39 nozzle (propelling nozzle, propulsion nozzle)
- 40 turbines
- 41 bypass duct
- 42 aft fan-jet
- 43 fan
- 44 bypass duct
- 45 nozzle (propelling nozzle, propulsion nozzle)
- 46 bypass engine
- 47 turbines
- 48 mixer
- 49 nozzle (propelling nozzle, propulsion nozzle)
- 50 secondary air flow (bypass air flow)
- 51 turboprop engine (turbopropeller engine), a twin-shaft engine
- 52 annular air intake
- 53 high-pressure turbine
- 54 low-pressure turbine
- 55 nozzle (propelling nozzle, propulsion nozzle)
- 56 shaft
- 57 intermediate shaft
- 58 gear shaft
- 59 reduction gear
- 60 propeller shaft





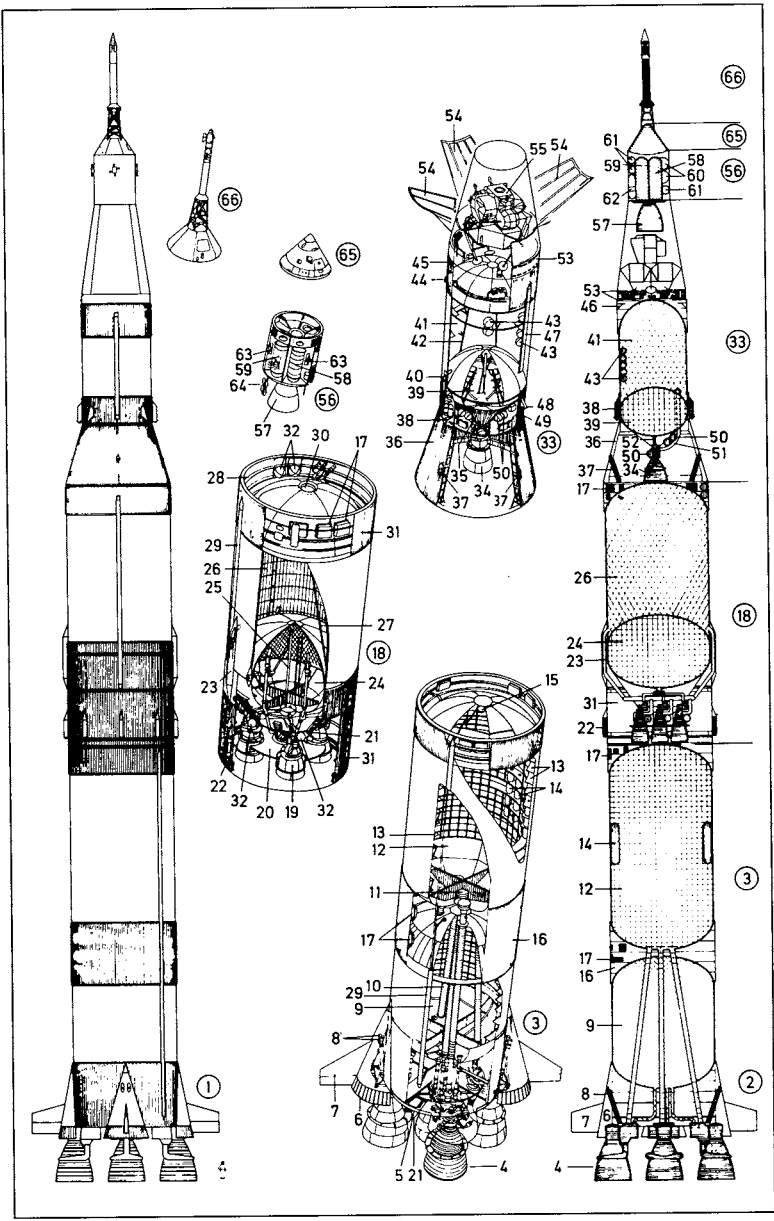
- | | | |
|--|---|--|
| 1 runway | 22 service vehicles, e.g. baggage loaders, water tankers, galley loaders, toilet-cleaning vehicles, ground power units, tankers | 35 'buses' |
| 2 taxiway | 23 aircraft tractor (aircraft tug) | 36 'entrance' |
| 3 apron | 24-53 airport information symbols (pictographs) | 37 'exit' |
| 4 apron taxiway | 24 'airport' | 38 'baggage reclaim' |
| 5 baggage terminal | 25 'departures' | 39 'luggage lockers' |
| 6 tunnel entrance to the baggage terminal | 26 'arrivals' | 40 'telephone - emergency calls only' |
| 7 airport fire service | 27 'transit passengers' | 41 'emergency exit' |
| 8 fire appliance building | 28 'waiting room' ('lounge') | 42 'passport check' |
| 9 mail and cargo terminal | 29 'assembly point' ('meeting point', 'rendezvous point') | 43 'press facilities' |
| 10 cargo warehouse | 30 'spectators' terrace' | 44 'doctor' |
| 11 assembly point | 31 'information' | 45 'chemist' (<i>Am.</i> 'drug-gist') |
| 12 pier | 32 'taxis' | 46 'showers' |
| 13 pierhead | 33 'car hire' | 47 'gentlemen's toilet' ('gentlemen') |
| 14 airbridge | 34 'trains' | 48 'ladies' toilet' ('ladies') |
| 15 departure building (terminal) | | 49 'chapel' |
| 16 administration building | | 50 'restaurant' |
| 17 control tower (tower) | | 51 'change' |
| 18 waiting room (lounge) | | 52 'duty free shop' |
| 19 airport restaurant | | 53 'hairdresser' |
| 20 spectators' terrace | | |
| 21 aircraft in loading position (nosed in) | | |



234 Space Flight I

- 1 Saturn V 'Apollo' booster (booster rocket) [overall view]
- 2 Saturn V 'Apollo' booster (booster rocket) [overall sectional view]
- 3 first rocket stage (S-IC)
- 4 F-1 engines
- 5 heat shield (thermal protection shield)
- 6 aerodynamic engine fairings
- 7 aerodynamic stabilizing fins
- 8 stage separation retro-rockets, 8 rockets arranged in 4 pairs
- 9 kerosene (RP-1) tank [capacity: 811,000 litres]
- 10 liquid oxygen (LOX, LO₂) supply lines, total of 5
- 11 anti-vortex system (device for preventing the formation of vortices in the fuel)
- 12 liquid oxygen (LOX, LO₂) tank [capacity: 1,315,000 litres]
- 13 anti-slosh baffles
- 14 compressed-helium bottles (helium pressure bottles)
- 15 diffuser for gaseous oxygen
- 16 inter-tank connector (inter-tank section)
- 17 instruments and system-monitoring devices
- 18 second rocket stage (S-II)
- 19 J-2 engines
- 20 heat shield (thermal protection shield)
- 21 engine mounts and thrust structure
- 22 acceleration rockets for fuel acquisition
- 23 liquid hydrogen (LH₂) suction line
- 24 liquid oxygen (LOX, LO₂) tank [capacity: 1,315,000 litres]
- 25 standpipe
- 26 liquid hydrogen (LH₂) tank [capacity: 1,020,000 litres]
- 27 fuel level sensor
- 28 work platform (working platform)
- 29 cable duct
- 30 manhole
- 31 S-IC/S-II inter-stage connector (inter-stage section)

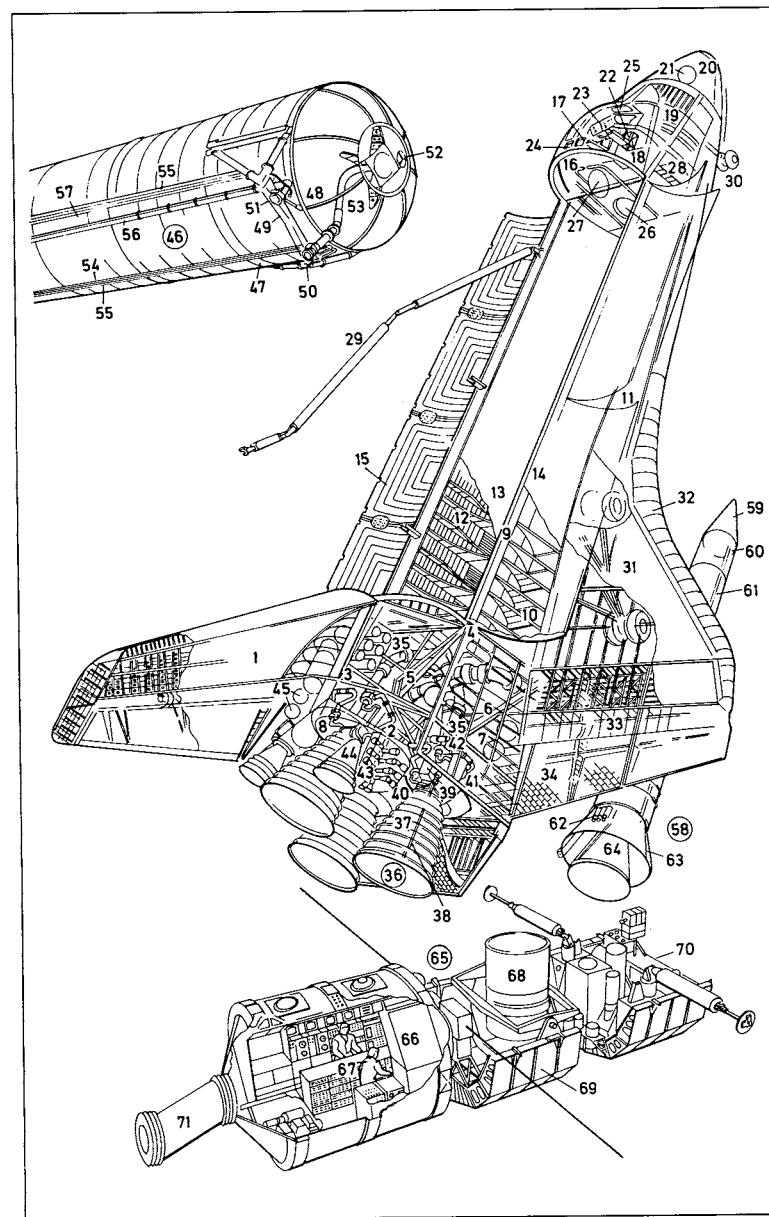
- 32 compressed-gas container (gas pressure vessel)
- 33 third rocket stage (S-IVB)
- 34 J-2 engine
- 35 nozzle (thrust nozzle)
- 36 S-III/S-IVB inter-stage connector (inter-stage section)
- 37 four second-stage (S-II) separation retro-rockets
- 38 attitude control rockets
- 39 liquid oxygen (LOX, LO₂) tank [capacity: 77,200 litres]
- 40 fuel line duct
- 41 liquid hydrogen (LH₂) tank [capacity: 253,000 litres]
- 42 measuring probes
- 43 compressed-helium tanks (helium pressure vessels)
- 44 tank vent
- 45 forward frame section
- 46 work platform (working platform)
- 47 cable duct
- 48 acceleration rockets for fuel acquisition
- 49 aft frame section
- 50 compressed-helium tanks (helium pressure vessels)
- 51 liquid hydrogen (LH₂) line
- 52 liquid oxygen (LOX, LO₂) line
- 53 24-panel instrument unit
- 54 LM hangar (lunar module hangar)
- 55 LM (lunar module)
- 56 Apollo SM (service module), containing supplies and equipment
- 57 SM (service module) main engine
- 58 fuel tank
- 59 nitrogen tetroxide tank
- 60 pressurized gas delivery system
- 61 oxygen tanks
- 62 fuel cells
- 63 manoeuvring (Am. maneuvering) rocket assembly
- 64 directional antenna assembly
- 65 space capsule (command section)
- 66 launch phase escape tower



1-45 Space Shuttle-Orbiter

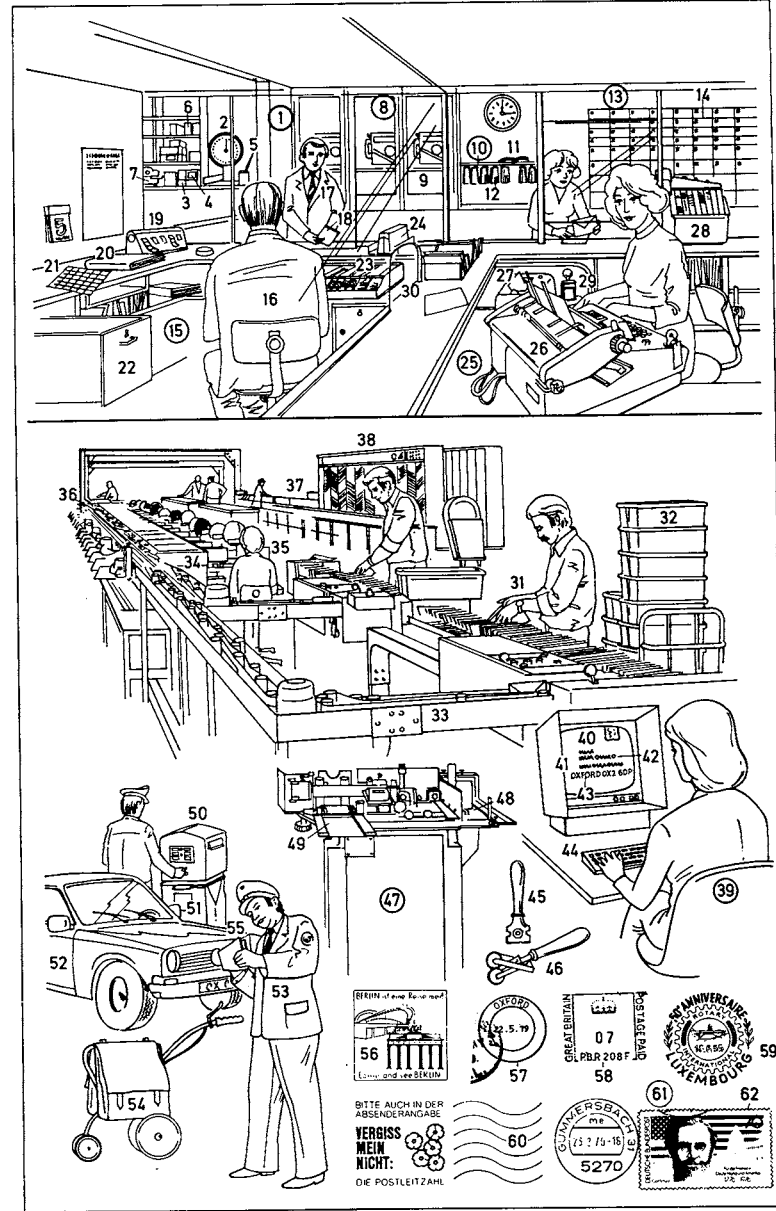
- 1 twin-spar (two-spar, double-spar) vertical fin
- 2 engine compartment structure
- 3 fin post
- 4 fuselage attachment [of payload bay doors]
- 5 upper thrust mount
- 6 lower thrust mount
- 7 keel
- 8 heat shield
- 9 waist longeron
- 10 integrally machined (integrally milled) main rib
- 11 integrally stiffened light alloy skin
- 12 lattice girder
- 13 payload bay insulation
- 14 payload bay door
- 15 low-temperature surface insulation
- 16 flight deck (crew compartment)
- 17 captain's seat (commander's seat)
- 18 pilot's seat (co-pilot's seat)
- 19 forward pressure bulkhead
- 20 carbon fibre reinforced nose cone
- 21 forward fuel tanks
- 22 avionics consoles
- 23 automatic flight control panel
- 24 upward observation windows
- 25 forward observation windows
- 26 entry hatch to payload bay
- 27 air lock
- 28 ladder to lower deck
- 29 payload manipulator arm
- 30 hydraulically steerable nose wheel
- 31 hydraulically operated main landing gear
- 32 removable (reusable) carbon fibre reinforced leading edge [of wing]
- 33 movable elevon sections
- 34 heat-resistant elevon structure
- 35 main liquid hydrogen (LH₂) supply
- 36 main liquid-fuelled rocket engine
- 37 nozzle (thrust nozzle)
- 38 coolant feed line
- 39 engine control system
- 40 heat shield

- 41 high-pressure liquid hydrogen (LH₂) pump
- 42 high-pressure liquid oxygen (LOX, LO₂) pump
- 43 thrust vector control system
- 44 electromechanically controlled orbital manoeuvring (*Am.* manoeuvring) main engine
- 45 nozzle fuel tanks (thrust nozzle fuel tanks)
- 46 **jettisonable liquid hydrogen and liquid oxygen tank** (fuel tank)
- 47 integrally stiffened annular rib (annular frame)
- 48 hemispherical end rib (end frame)
- 49 aft attachment to Orbiter
- 50 liquid hydrogen (LH₂) line
- 51 liquid oxygen (LOX, LO₂) line
- 52 manhole
- 53 surgebaffle system (slosh baffle system)
- 54 pressure line to liquid hydrogen tank
- 55 electrical system bus
- 56 liquid oxygen (LOX, LO₂) line
- 57 pressure line to liquid oxygen tank
- 58 **recoverable solid-fuel rocket** (solid rocket booster)
- 59 auxiliary parachute bay
- 60 compartment housing the recovery parachutes and the forward separation rocket motors
- 61 cable duct
- 62 aft separation rocket motors
- 63 aft skirt
- 64 swivel nozzle (swivelling, *Am.* swiveling, nozzle)
- 65 **Spacelab** (space laboratory, space station)
- 66 multi-purpose laboratory (orbital workshop)
- 67 astronaut
- 68 gimbal-mounted telescope
- 69 measuring instrument platform
- 70 spaceflight module
- 71 crew entry tunnel

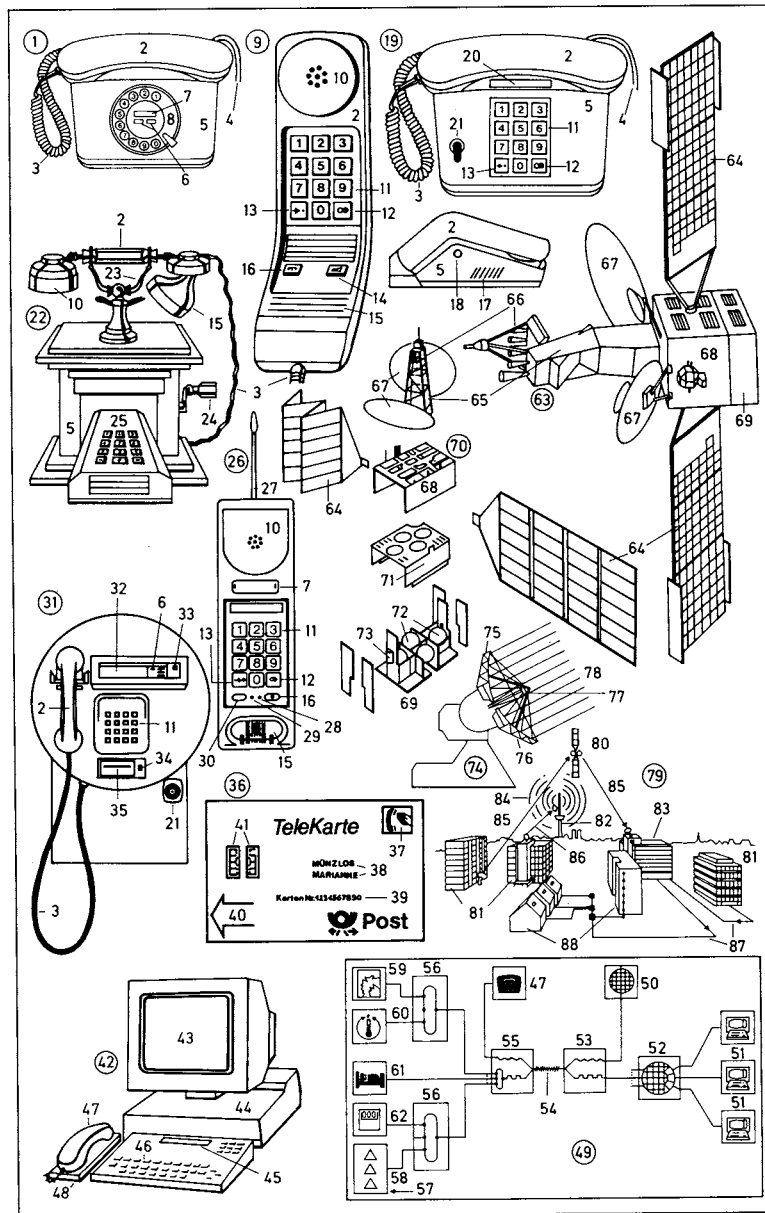


- 1-30 main hall
- 1 parcels counter
- 2 parcels scales
- 3 parcel
- 4 stick-on address label with parcel registration slip
- 5 glue pot
- 6 small parcel
- 7 franking machine (*Am.* postage meter) for parcel registration cards
- 8 telephone box (telephone booth, telephone kiosk, call box)
- 9 coin-box telephone (pay phone, public telephone)
- 10 telephone directory rack
- 11 directory holder
- 12 telephone directory (telephone book)
- 13 post office boxes
- 14 post office box
- 15 stamp counter
- 16 counter clerk (counter officer)
- 17 company messenger
- 18 record of posting book
- 19 counter stamp machine
- 20 stamp book
- 21 sheet of stamps
- 22 security drawer
- 23 change rack
- 24 letter scales
- 25 paying-in (*Am.* deposit), post office savings, and pensions counter
- 26 accounting machine
- 27 franking machine for money orders and paying-in slips (*Am.* deposit slips)
- 28 change machine (*Am.* changemaker)
- 29 receipt stamp
- 30 hatch
- 31-44 letter-sorting installation
- 31 letter feed
- 32 stacked letter containers
- 33 feed conveyor
- 34 intermediate stacker
- 35 coding station
- 36 pre-distributor channel

- 37 process control computer
- 38 distributing machine
- 39 video coding station
- 40 screen
- 41 address display
- 42 address
- 43 post code (postal code, *Am.* zip code)
- 44 keyboard
- 45 handstamp
- 46 roller stamp
- 47 franking machine
- 48 feed mechanism
- 49 delivery mechanism
- 50-55 postal collection and delivery
- 50 postbox (*Am.* mailbox)
- 51 collection bag
- 52 post office van (mail van)
- 53 postman (*Am.* mail carrier, letter carrier, mailman)
- 54 delivery pouch (postman's bag, mailbag)
- 55 letter-rate item
- 56-60 postmarks
- 56 postmark advertisement
- 57 date stamp postmark
- 58 charge postmark
- 59 special postmark
- 60 roller postmark
- 61 stamp (postage stamp)
- 62 perforations



- 1-41 telephone
- 1 dial telephone
- 2 handset (telephone receiver)
- 3 receiver cord (handset cord)
- 4 telephone cable (telephone cord)
- 5 telephone casing (telephone cover)
- 6 emergency numbers
- 7 line number
- 8 dial
- 9 compact telephone (slimline telephone), an added-feature telephone
- 10 earpiece (receiver)
- 11 keypad with number and function keys (feature keys)
- 12 last number redial button
- 13 abbreviated dialling key
- 14 speaker key (loudspeaker key)
- 15 mouthpiece
- 16 line reset button
- 17 speaker (loudspeaker)
- 18 call indicator
- 19 push-button telephone, an added-feature telephone
- 20 display
- 21 lock
- 22 novelty telephone, an added-feature telephone
- 23 (telephone) cradle
- 24 dummy crank
- 25 detachable keypad
- 26 cordless (tele)phone (radiophone, mobile phone)
- 27 aerial
- 28 battery strength light
- 29 out of signal-range indicator
- 30 power switch
- 31 cardphone
- 32 split display showing call charges
- 33 language select button for the display
- 34 follow-on call button
- 35 phonenumber slot
- 36 phonenumber (here: telephone credit card)
- 37 phonenumber symbol
- 38 cardholder's name
- 39 card number
- 40 arrow indicating direction of insertion
- 41 chips
- 42-62 ISDN (Integrated Services Digital Network)
- 42 multifunction telecommunications terminal (ISDN workstation)
- 43 screen (monitor) for viewdata, video telephone, and Teletex
- 44 central processing and memory unit
- 45 fax unit (fax)
- 46 input device (keyboard)
- 47 telephone receiver (link to the telephone network)
- 48 acoustic coupler (modem)
- 49 telecontrol network (TEMEX network)
- 50 public telephone network (switched telephone network)
- 51 telecontrol centres
- 52 TEMEX main control centre
- 53 TEMEX transmission equipment
- 54 telecommunications line (telephone line)
- 55 TEMEX network termination
- 56 slave station
- 57 telecontrol terminal equipment
- 58 telecontrol terminal equipment (detector, sensor, or control equipment)
- 59 glass-break detector
- 60 temperature controller
- 61 emergency call
- 62 meter (electricity meter)
- 63 communications satellite
- 64 solar panel (solar paddle, solar array, solar generator)
- 65 antenna module
- 66 receiving antenna for control commands
- 67 parabolic antennas
- 68 communications module
- 69 propulsion module
- 70 broadcasting satellite (television satellite)
- 71 service module
- 72 fuel tanks
- 73 control jets
- 74 earth station
- 75 parabolic antenna
- 76 main reflector
- 77 feed antenna
- 78 radio beams
- 79 satellite broadcasting, satellite television, and cable television
- 80 broadcasting satellite
- 81 television studio
- 82 television tower
- 83 cablehead station
- 84 terrestrial broadcasting
- 85 satellite broadcasting
- 86 line-of-sight link (microwave link)
- 87 cable network
- 88 cable connections



1-6 central recording channel of a radio station

- 1 monitoring and control panel
- 2 data display terminal (video data terminal, video monitor) for visual display of computer-controlled programmes (*Am.* programmes)
- 3 amplifier and mains power unit
- 4 magnetic sound recording and playback deck for 1/4" magnetic tape
- 5 magnetic tape, a 1/4" tape
- 6 film spool holder

7-15 radio switching centre (*Am.* center) control room

- 7 monitoring and control panel
- 8 talkback speaker
- 9 local-battery telephone
- 10 talkback microphone
- 11 data display terminal (video data terminal)
- 12 teleprinter
- 13 input keyboard for computer data
- 14 telephone switchboard panel
- 15 monitoring speaker (control speaker)

16-26 broadcasting centre (*Am.* center)

- 16 recording room
- 17 production control room (control room)
- 18 studio
- 19 sound engineer (sound control engineer)
- 20 sound control desk (sound control console)
- 21 newsreader (newscaster)
- 22 duty presentation officer
- 23 telephone for phoned reports
- 24 record turntable
- 25 recording room mixing console (mixing desk, mixer)
- 26 sound technician (sound mixer, sound recordist)

27-53 television post-sync studio

- 27 sound production control room (sound control room)
- 28 dubbing studio (dubbing theatre, *Am.* theater)
- 29 studio table
- 30 visual signal
- 31 electronic stopclock

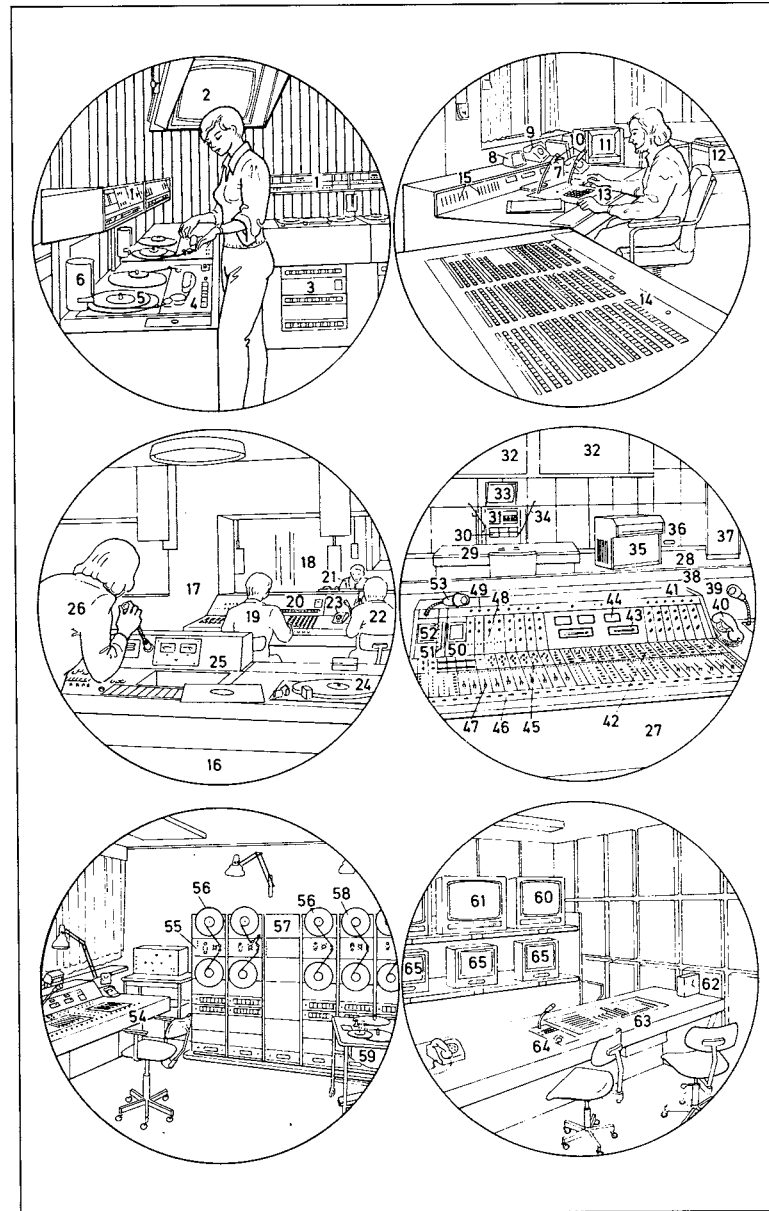
- 32 projection screen
- 33 monitor
- 34 studio microphone
- 35 sound effects box
- 36 microphone socket panel
- 37 recording speaker (recording loudspeaker)
- 38 control room window (studio window)
- 39 producer's talkback microphone
- 40 local-battery telephone
- 41 sound control desk (sound control console)
- 42 group selector switch
- 43 visual display
- 44 limiter display (clipper display)
- 45 control modules
- 46 pre-listening buttons
- 47 slide control
- 48 universal equalizer (universal corrector)
- 49 input selector switches
- 50 pre-listening speaker
- 51 tone generator
- 52 talkback speaker
- 53 talkback microphone

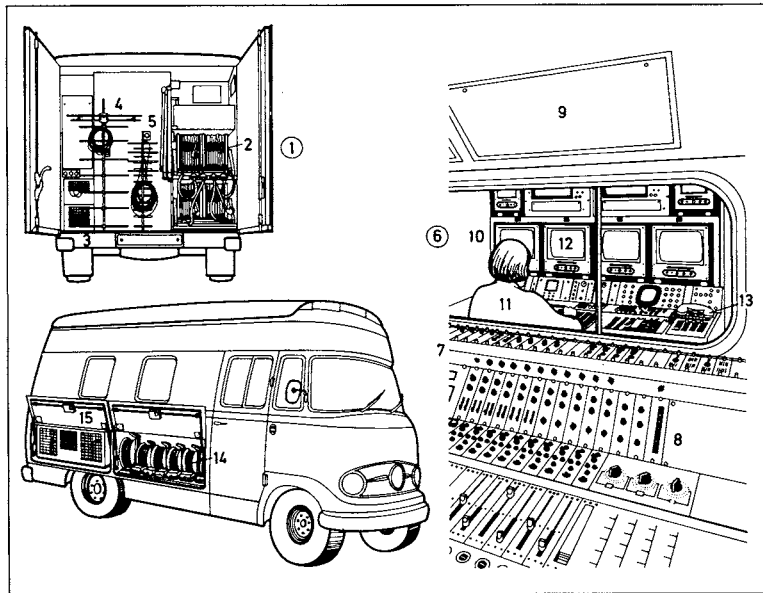
54-59 pre-mixing room for transferring and mixing 16 mm, 17.5 mm, 35 mm perforated magnetic film

- 54 sound control desk (sound control console)
- 55 compact magnetic tape recording and playback equipment
- 56 single playback deck
- 57 central drive unit
- 58 single recording and playback deck
- 59 rewind bench

60-65 final picture quality checking room

- 60 preview monitor
- 61 programme (*Am.* program) monitor
- 62 stopclock
- 63 vision mixer (vision-mixing console, vision-mixing desk)
- 64 talkback system (talkback equipment)
- 65 camera monitor (picture monitor)





1-15 outside broadcast (OB) vehicle
(television OB van; also: sound OB van, radio OB van)

1-4 rear equipment section of the OB vehicle

2 camera cable

3 cable connection panel

4 television (TV) reception aerial (receiving aerial) for Channel I

5 television (TV) reception aerial (receiving aerial) for Channel II

6 interior equipment (on-board equipment) of the OB vehicle

7 sound production control room (sound control room)

8 sound control desk (sound control console)

9 monitoring loudspeaker

10 vision control room (video control room)

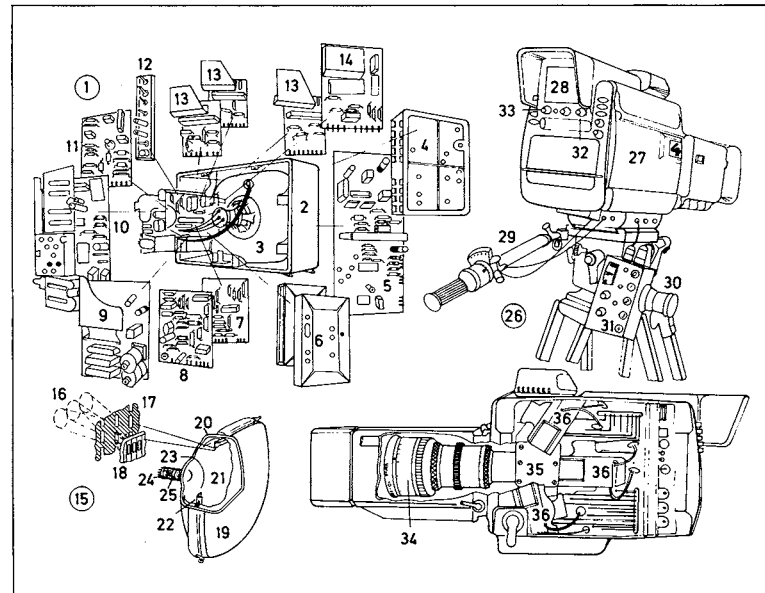
11 video controller (vision controller)

12 camera monitor (picture monitor)

13 on-board telephone (intercommunication telephone)

14 microphone cables

15 air-conditioning plant



1 colour (Am. color) television (TV) receiver (colour television set) of modular design

2 television cabinet

3 television tube (picture tube)

4 IF (intermediate frequency) amplifier module

5 colour (Am. color) decoder module

6 VHF and UHF tuner

7 horizontal synchronizing module

8 vertical deflection module

9 horizontal linearity control module

10 horizontal deflection module

11 control module

12 convergence module

13 colour (Am. color) output stage module

14 sound module

15 colour (Am. color) picture tube

16 electron beams

17 shadow mask with elongated holes

18 strip of fluorescent (luminescent, phosphorescent) material

19 coating (film) of fluorescent material

20 inner magnetic screen (screening)

21 vacuum

22 temperature-compensated shadow mask mount

23 centring (Am. centering) ring for the deflection system

24 electron gun assembly

25 rapid heat-up cathode

26 television (TV) camera

27 camera head

28 camera monitor

29 control arm (control lever)

30 focusing adjustment

31 control panel

32 contrast control

33 brightness control

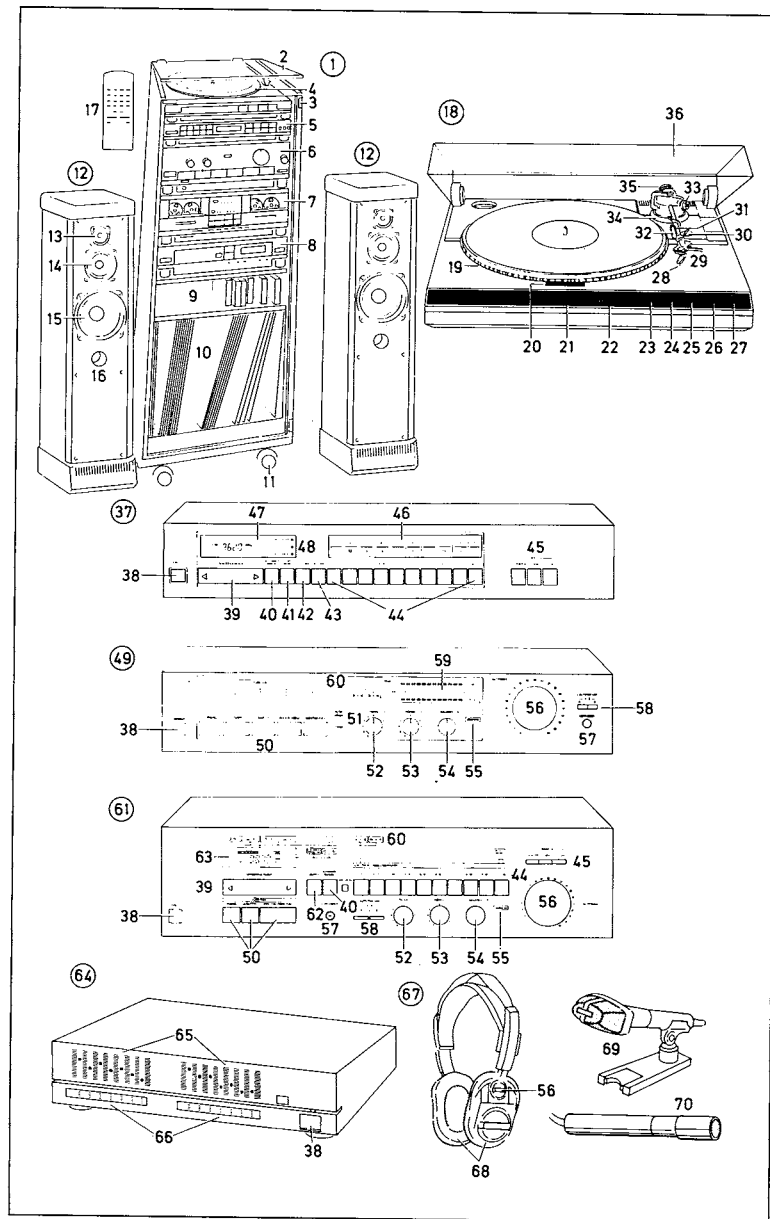
34 zoom lens

35 beam-splitting prism (beam splitter)

36 pick-up unit (colour, Am. color, pick-up tube)

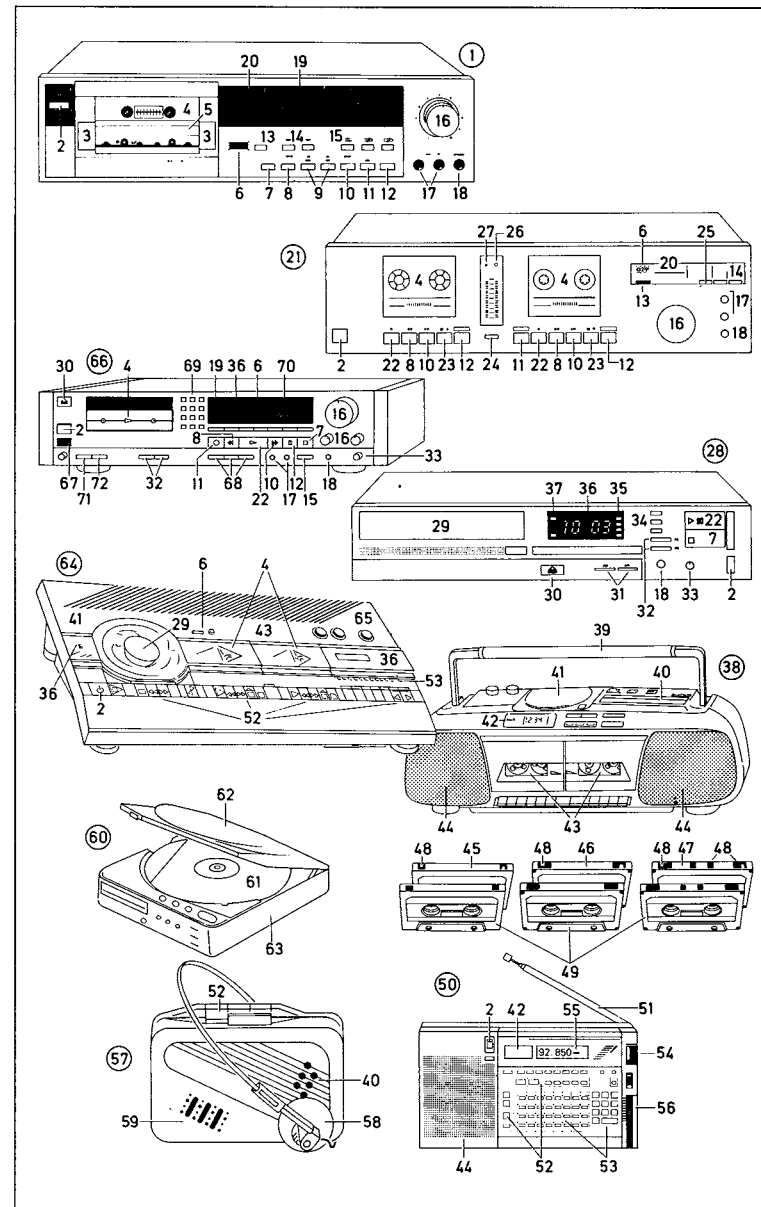
- 1-17 **stereo system** (hi-fi system), a midi system
- 1 **hi-fi stack**
- 2 rack lid (rack dust cover, [housing] lid)
- 3 rack (housing) with glass door
- 4 record player (record deck, analogue [*Am.* analog] record player)
- 5 tuner (receiver, radio tuner)
- 6 amplifier (power amplifier)
- 7 double cassette deck (double cassette recorder)
- 8 CD player (compact disc player)
- 9 cassette rack
- 10 record and compact disc rack
- 11 castor
- 12 **speaker** (loudspeaker), a three-way bass reflex speaker
- 13 tweeter, a dome tweeter or piezo tweeter
- 14 mid-range speaker (squawker)
- 15 bass speaker (woofer)
- 16 port
- 17 infrared remote control [unit] (IR remote control [unit])
- 18 **record player** (record deck, analogue [*Am.* analog] record player)
- 19 turntable with direct drive or belt drive
- 20 strobe light (strobe speed control)
- 21 pitch control
- 22 rpm display
- 23 stop button
- 24 auto-return button
- 25 rpm selector (speed selector)
- 26 cue button (down)
- 27 cue button (up)
- 28 stylus (needle)
- 29 pick-up
- 30 size selector (record size selector)
- 31 tone arm (pick-up arm)
- 32 tone arm support (pick-up arm support)
- 33 stylus pressure control
- 34 anti-skate control
- 35 tone arm counterweight (pick-up arm counterweight)
- 36 lid (dust cover)
- 37 **tuner** (receiver, radio tuner)
- 38 power switch
- 39 tuning button (tuning control)

- 40 manual and automatic tuning selection button with muting
- 41 stereo/mono selection button
- 42 strength-of-signal display button
- 43 memory button
- 44 station selection buttons
- 45 frequency selection buttons ([wave] band selection buttons)
- 46 station select display
- 47 fluorescent digital display indicating wave band, frequency, and strength of signal
- 48 LED indicator for stereo and mono mode and automatic tuning
- 49 **amplifier** (power amplifier)
- 50 function select buttons for the turntable, tuner, cassette deck (tape deck), CD player, and monitor (tape monitor)
- 51 filter buttons (high and low filter buttons)
- 52 bass control
- 53 treble control
- 54 balance control
- 55 loudness button
- 56 volume control
- 57 headphone socket
- 58 speaker select buttons
- 59 LED display, a multifunction display
- 60 function display
- 61 **receiver**, a combined tuner-amplifier
- 62 display select button
- 63 liquid crystal display (LCD), a multifunction display
- 64 [graphic] equalizer, a 2 × 7 band [graphic] equalizer
- 65 equalizer slide controls
- 66 LED-display spectrum analyser
- 67 **headphones** (stereo headphones)
- 68 ear pads (ear cushions)
- 69, 70 **microphones**
- 69 directional microphone (stereo directional microphone)
- 70 electret condenser microphone with omnidirectional pick-up characteristic



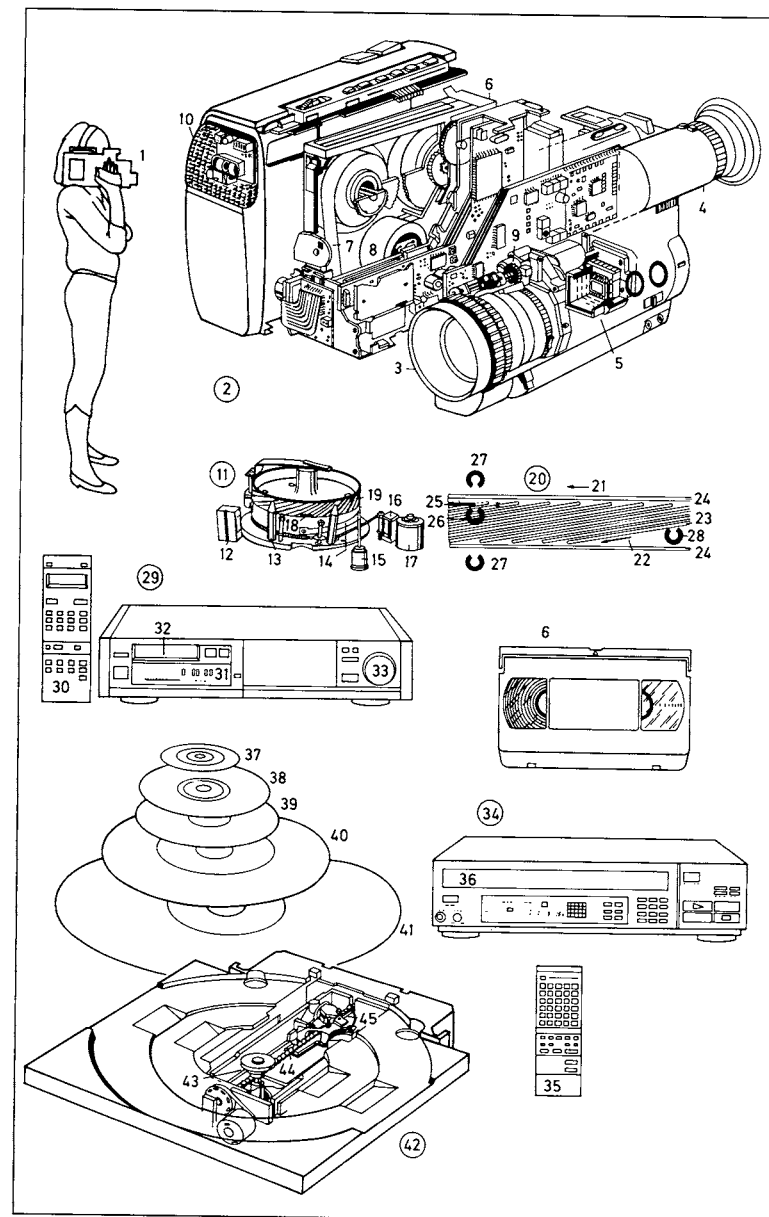
- 1 cassette deck (cassette recorder)
- 2 power switch
- 3 [stop and] eject button
- 4 cassette holder (cassette drive, cassette transport)
- 5 dust cover
- 6 counter (tape counter)
- 7-12 **transport buttons**
- 7 stop button
- 8 rewind button
- 9 play buttons for both directions (bi-directional play buttons)
- 10 fast forward button
- 11 record button
- 12 pause button
- 13 counter reset button
- 14 noise reduction buttons (Dolby select buttons)
- 15 auto-reverse buttons
- 16 recording level control
- 17 microphone sockets
- 18 headphone socket
- 19 level indicator display (VU meter), an LED display
- 20 tape type indicator (tape-bias indicator), an LED display
- 21 **double cassette deck** (double cassette recorder)
- 22 play button
- 23 [stop and] eject button
- 24 high-speed dubbing button
- 25 function select button
- 26 recording indicator light
- 27 on-off light (power indicator light)
- 28 **CD player** (compact disc player, digital compact disc player)
- 29 CD drawer
- 30 open/close button for the CD drawer
- 31 search button and index search button
- 32 skip buttons (skip-track buttons)
- 33 headphone volume control
- 34 function select buttons
- 35 programming, track and disc repeat, and pause indicators
- 36 LED display
- 37 remaining time and track-index indicators
- 38 **portable radio recorder** with integral CD player
- 39 handle
- 40 [radio] receiver (receiver and amplifier)

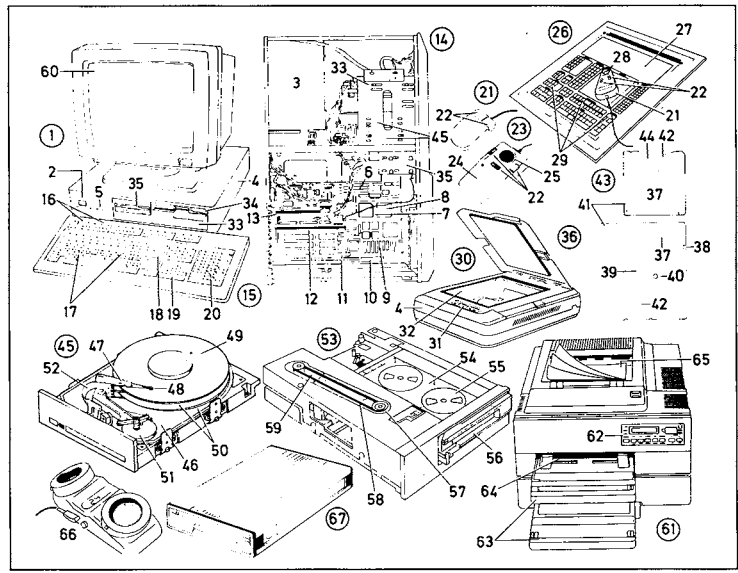
- 41 CD player
- 42 quartz clock with digital display and timer
- 43 double cassette recorder
- 44 loudspeaker
- 45-49 **audio-cassette** (cassette)
- 45-47 types of tape
- 45 ferric cassette (iron oxide cassette, normal cassette)
- 46 chrome dioxide cassette (chrome cassette)
- 47 metal cassette (metal oxide cassette)
- 48 tape type indication (indicating hole)
- 49 record-protected cassettes
- 50 **world receiver** for receiving ultra-short wave (USW), medium wave (MW), long wave (LW), and short wave (SW)
- 51 aerial (rod aerial), a telescopic aerial
- 52 function buttons
- 53 station select buttons
- 54 manual tuning knob
- 55 liquid crystal display (LCD) showing waveband, frequency, and memory number
- 56 (sliding) volume control
- 57 **cassette player** (Walkman® with radio)
- 58 headphones
- 59 equalizer, a 3-band equalizer
- 60 **portable CD player** (Discman®)
- 61 compact disc (CD)
- 62 lid
- 63 casing with transport, amplifier, display, and function buttons
- 64 **compact hi-fi system** (compact stereo system)
- 65 amplifier section
- 66 **DAT recorder** (digital cassette recorder) (DAT = Digital Audio Tape)
- 67 infrared sensor (IR sensor) for the remote control
- 68 input selection buttons for mono, analogue (*Am.* analog), and digital signals
- 69 index and program selection buttons
- 70 index number display
- 71 auto-scan button
- 72 end-record search button



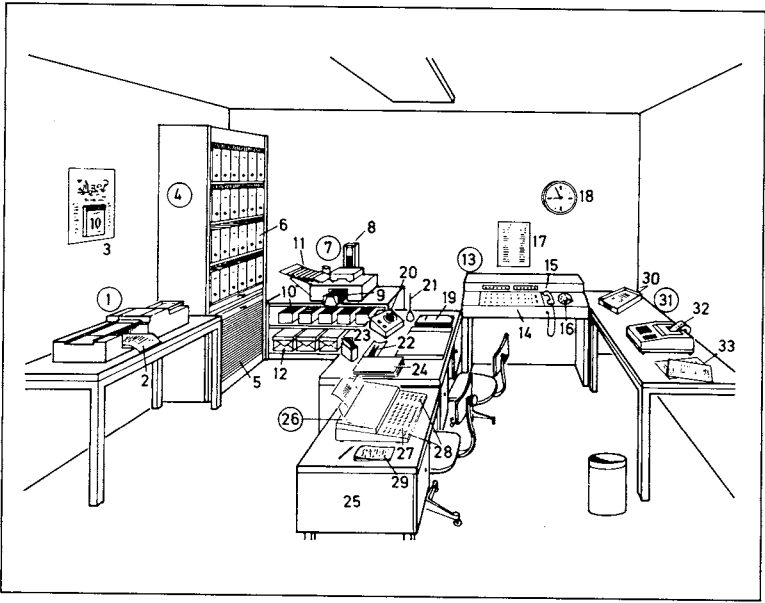
- 1 camcorder (camera recorder),
form: two-component system (separate camera and recorder)
- 2 pocket camcorder, a video-8 camcorder
- 3 lens, a x6 zoom lens (11-66 mm)
- 4 viewfinder (ocular)
- 5 CCD image converter (image sensor) and high-speed shutter, a half-inch chip with shutter functions
- 6 video cassette
- 7 videotape
- 8 head drum
- 9 autofocus motor
- 10 built-in microphone (integral microphone)
- 11 VHS head drum (VHS: Video Home System)
- 12 erase head
- 13 guide pin
- 14 tape guide
- 15 capstan
- 16 audio sync head
- 17 pinch roller
- 18 video head
- 19 grooves in the wall of the head drum to promote air cushion formation
- 20 VHS track format
- 21 direction of tape movement
- 22 direction of recording
- 23 video track, a slant track (only a few tracks shown)
- 24 sound track (audio track)
- 25 sync track
- 26 sync head
- 27 sound head (audio head)
- 28 video head
- 29 video recorder
- 30 infrared remote control
- 31 program scale (program dial), a multidisplay
- 32 cassette compartment
- 33 jog shuttle knob for forward or reverse movement of the [video] picture

- 34 multisc disc player
- 35 infrared remote control
- 36 disc drawer
- 37-41 disc formats
- 37 single compact disc (single CD)
- 38 audio CD
- 39 video CD
- 40 small laser disc (20 cm)
- 41 large laser disc (30 cm)
- 42 laser scanning system
- 43 [disc] spindle
- 44 laser-head tracing spindle
- 45 laser head (laser unit)

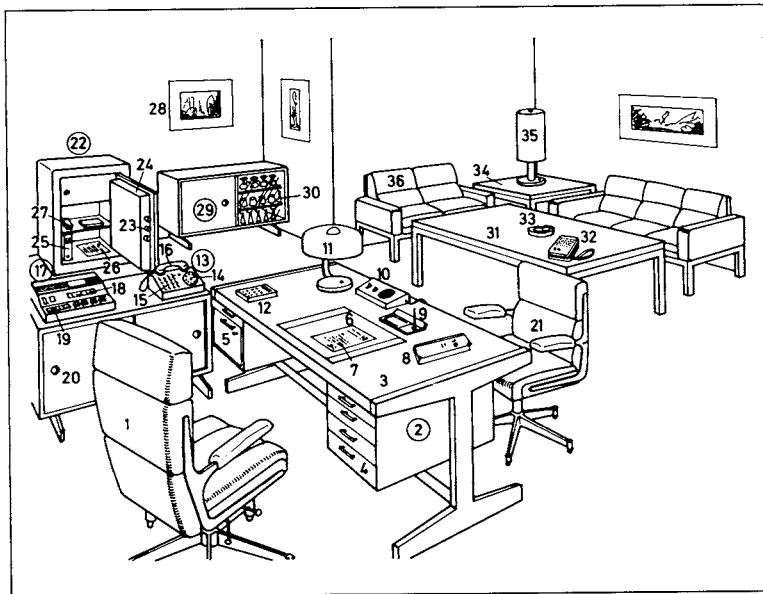




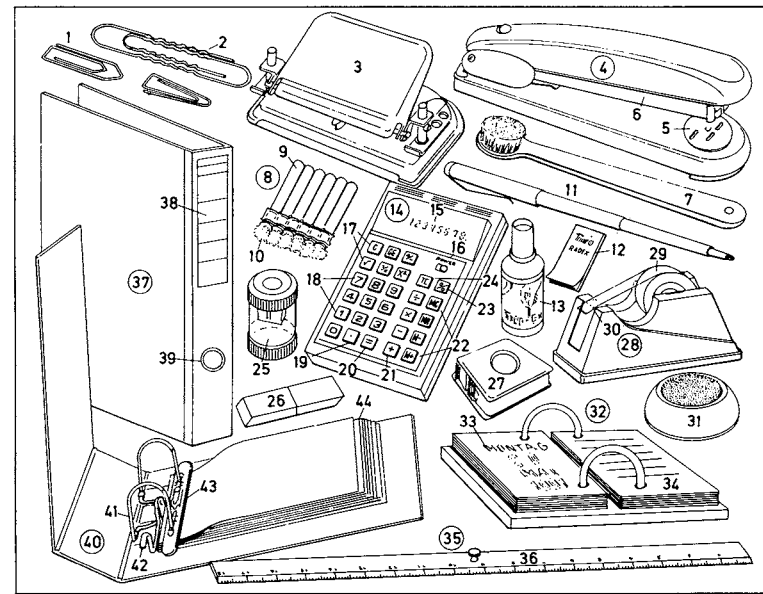
- 1 personal computer (PC; *sim.*: laptop)
- 2 power switch
- 3 power supply (power pack)
- 4 housing
- 5 fixed-disk access light
- 6 main memory
- 7 coprocessor socket
- 8 central processing unit (CPU), a microprocessor
- 9 cache memory (cache controller)
- 10 expansion memory slot
- 11 graphics card slot
- 12 combined fixed and floppy disk controller
- 13 serial and parallel communication card
- 14 PC tower interior view
- 15-32 built-in devices
- 15 keyboard
- 16 function keys
- 17 letter keys and number keys (numeric keys)
- 18 enter key (return key)
- 19 cursor keys
- 20 number [key]pad (numeric [key]pad)
- 21 mouse
- 22 mouse buttons
- 23 trackerball (trackball)
- 24 handrest
- 25 roller ball
- 26 digitizing tablet (digitizer, *also*: graphics tablet)
- 27 graphics area
- 28 cross hairs
- 29 receiving grids
- 30 scanner
- 31 control panel with function keys
- 32 scanning surface
- 33-59 mass storage devices (magnetic stores, magnetic memories)
- 33-44 disk drives (drives, floppy disk drives)
- 33 minifloppy disk drive (5 1/4 inch [floppy] disk drive)
- 34 latch
- 35 microfloppy disk drive (3 1/2 inch [floppy] disk drive)
- 36-44 diskettes (disks, floppy disks, floppies)
- 36 minifloppy (minifloppy disk, 5 1/4 inch disk, flexible disk)
- 37 label
- 38 write-protect notch
- 39 hole for engaging the drive hub registration hole
- 40 disk cover (envelope)
- 41 access slot for the read-write head
- 42 microfloppy (3 1/2 inch [floppy] disk)
- 43 sliding shutter
- 44 fixed-disk drive (fixed disk, hard disk)
- 45 base plate
- 46 access arm (actuator)
- 47 read-write head
- 48 drive motor for the aluminum (*Am.* aluminum) platters, a spindle drive motor
- 49 magnetic-coated aluminum (*Am.* aluminum) platters
- 50 read-write head drive motor, a linear motor or stepping motor (stepper motor)
- 51 data, address, and control bus
- 52 magnetic tape drive, streamer)
- 53 magnetic tape
- 54 magnetic tape reel
- 55 magnetic tape cassette (magnetic tape cartridge)
- 56 drive post
- 57 drive band
- 58 drive motor
- 59 output devices
- 60 screen (monitor, display) a high-resolution colour (*Am.* color) monitor
- 61 printer, a dot-matrix printer (*here*: laser printer; *also*: inkjet printer, needle printer)
- 62 control panel with function keys and display
- 63 paper tray (paper cassette)
- 64 paper feed path
- 65 paper output tray
- 66, 67 devices for long-distance data transmission
- 66 acoustic coupler
- 67 modem



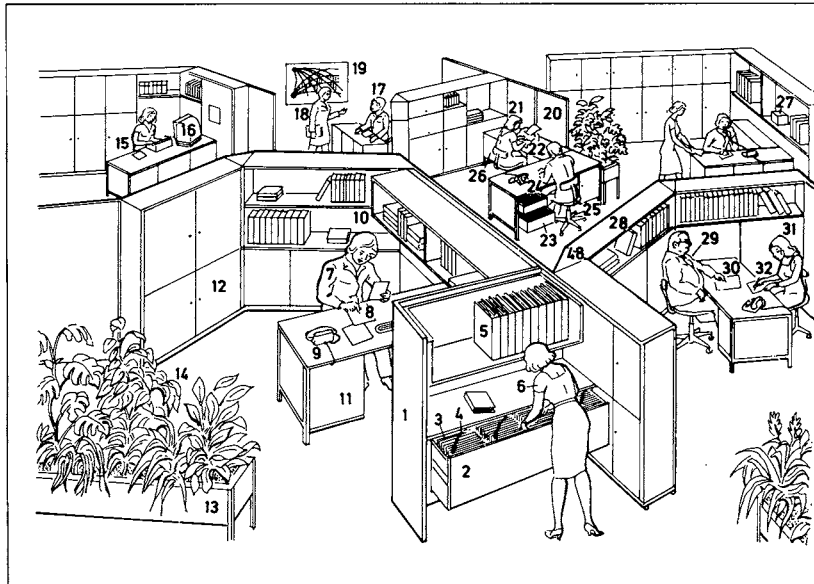
- 1-33 receptionists office (secretary's office)
- 1 fax machine
- 2 transmitted or received copy
- 3 wall calendar
- 4 filing cabinet
- 5 tambour door (roll-up door)
- 6 file (document file)
- 7 transfer-type addressing machine
- 8 vertical stencil magazine
- 9 stencil ejection
- 10 stencil storage drawer
- 11 paper feed
- 12 stock of notepaper
- 13 switchboard (internal telephone exchange)
- 14 push-button keyboard for internal connections
- 15 handset
- 16 dial
- 17 internal telephone list
- 18 master clock (main clock)
- 19 folder containing documents, correspondence, etc. for signing (to be signed)
- 20 intercom (office intercom)
- 21 pen
- 22 pen and pencil tray
- 23 card index
- 24 stack (set) of forms
- 25 typing desk
- 26 electronic memory typewriter
- 27 keyboard
- 28 function keys
- 29 shorthand pad (*Am.* steno pad)
- 30 letter tray
- 31 office calculator
- 32 printer
- 33 business letter

**1-36 executive's office**

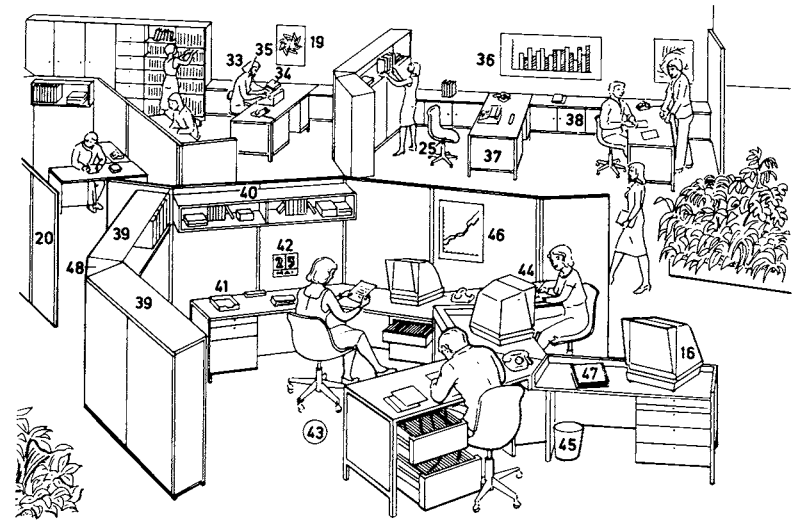
- 1 swivel chair
- 2 desk
- 3 desk top
- 4 desk drawer
- 5 cupboard (storage area) with door
- 6 desk mat (blotter)
- 7 business letter
- 8 appointments diary
- 9 desk set
- 10 intercom (office intercom)
- 11 desk lamp
- 12 pocket calculator (electronic calculator)
- 13 telephone, an executive-secretary system
- 14 dial; *also*: push-button keyboard
- 15 call buttons
- 16 receiver (telephone receiver)
- 17 dictating machine
- 18 position indicator
- 19 control buttons (operating keys)
- 20 cabinet
- 21 visitor's chair
- 22 safe
- 23 bolts
- 24 armour-plated (*Am.* armor-plated) lock area
- 25 confidential documents
- 26 patent
- 27 petty cash
- 28 picture
- 29 bar (drinks cabinet)
- 30 bar set
- 31-36 conference grouping
- 31 conference table
- 32 pocket-sized dictating machine, a micro-cassette recorder
- 33 ashtray
- 34 corner table
- 35 table lamp
- 36 two-seater sofa [part of the conference grouping]

**1-44 office equipment** (office supplies, office materials)

- 1, 2 paper clips
- 3 punch
- 4 stapler (stapling machine)
- 5 anvil
- 6 spring-loaded magazine
- 7 type-cleaning brush
- 8 type cleaner (type-cleaning kit)
- 9 fluid container (fluid reservoir)
- 10 cleaning brush
- 11 felt tip pen
- 12 correcting paper [for typing errors]
- 13 correcting fluid [for typing errors]
- 14 electronic pocket calculator
- 15 eight-digit fluorescent display
- 16 on/off switch
- 17 function keys
- 18 number keys
- 19 decimal key
- 20 'equals' key
- 21 instruction keys (command keys)
- 22 memory keys
- 23 percent key (percentage key)
- 24 π -key (pi-key) for mensuration of circles
- 25 pencil sharpener
- 26 typewriter rubber
- 27 adhesive tape dispenser
- 28 adhesive tape holder (roller-type adhesive tape dispenser)
- 29 roll of adhesive tape
- 30 tear-off edge
- 31 moistener
- 32 desk diary
- 33 date sheet (calendar sheet)
- 34 memo sheet
- 35 ruler
- 36 centimetre and millimetre (*Am.* centimeter and millimeter) graduations
- 37 file (document file)
- 38 spine label (spine tag)
- 39 finger hole
- 40 arch board file
- 41 arch unit
- 42 release lever (locking lever, release/lock lever)
- 43 compressor
- 44 bank statement (statement of account)

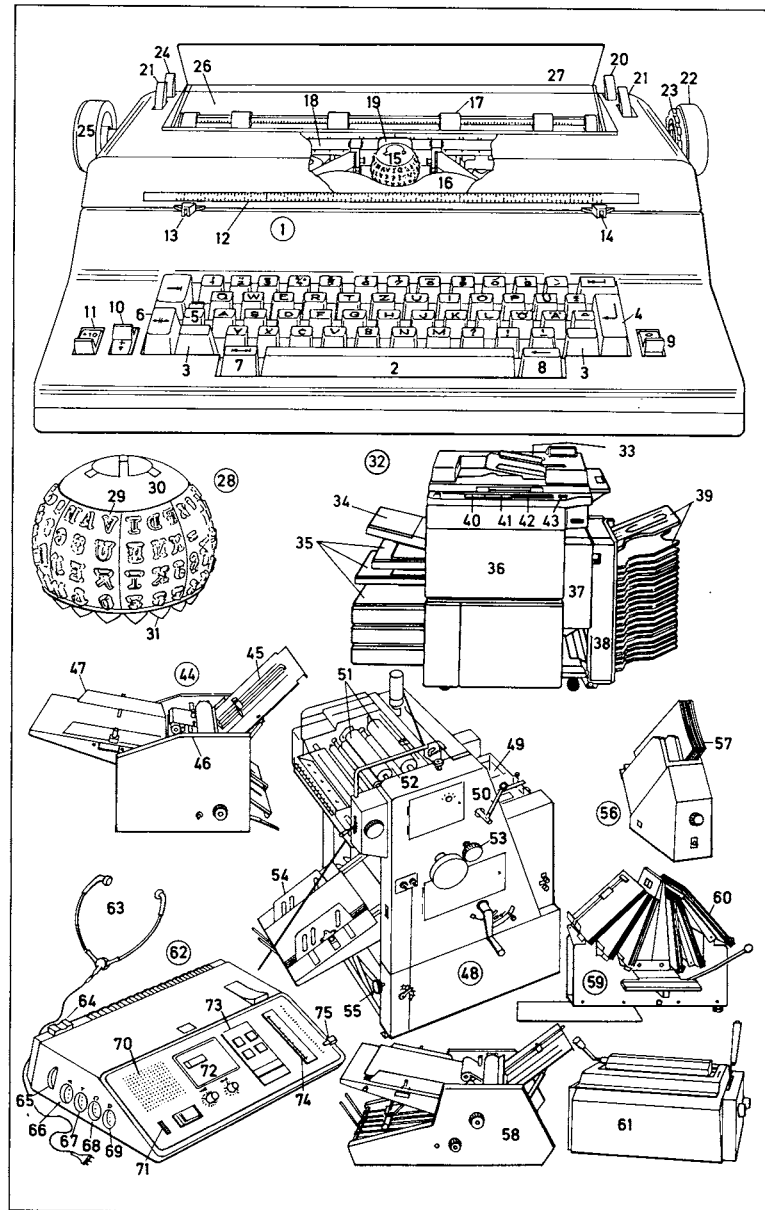
**1-48 open plan office**

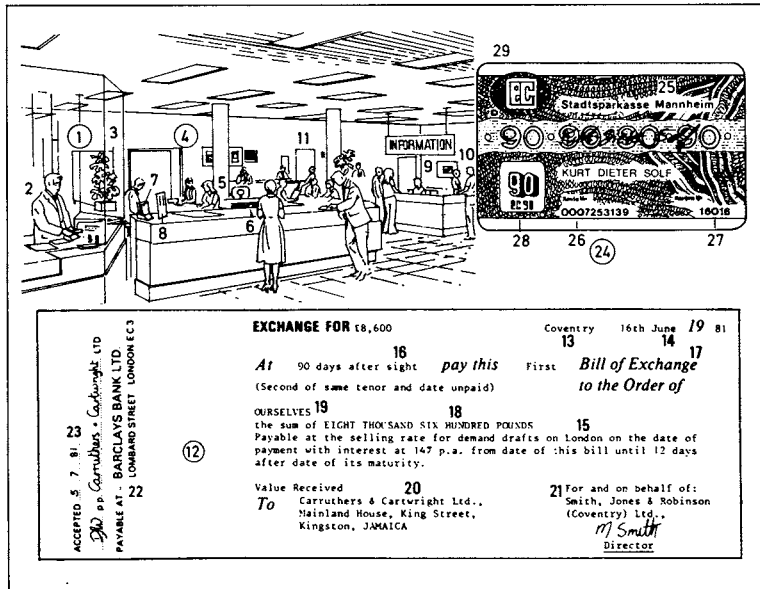
- | | |
|--|--|
| 1 partition wall (partition screen) | 21 typist |
| 2 filing drawer with suspension file system | 22 typewriter |
| 3 suspension file | 23 filing drawer |
| 4 file tab | 24 customer card index |
| 5 file (document file) | 25 office chair, a swivel chair |
| 6 filing clerk | 26 typing desk |
| 7 clerical assistant | 27 card index box |
| 8 note for the files | 28 multi-purpose shelving |
| 9 telephone | 29 proprietor |
| 10 filing shelves | 30 business letter |
| 11 clerical assistant's desk | 31 proprietor's secretary |
| 12 office cupboard | 32 shorthand pad (<i>Am.</i> steno pad) |
| 13 plant stand (planter) | 33 audio typist |
| 14 indoor plants (houseplants) | 34 dictating machine |
| 15 programmer | 35 earphone |
| 16 data display terminal (visual display unit) | 36 statistics chart |
| 17 customer service representative | 37 pedestal containing a cupboard or drawers |
| 18 customer | 38 sliding-door cupboard |
| 19 computer-generated design | 39 office furniture arranged in an angular configuration |
| 20 sound-absorbing partition | 40 wall-mounted shelf |
| | 41 letter tray |



- | |
|--|
| 42 wall calendar |
| 43 data centre (<i>Am.</i> center) |
| 44 calling up information on the data display terminal (visual display unit) |
| 45 waste paper basket |
| 46 sales statistics |
| 47 EDP print-out, a continuous fan-fold sheet |
| 48 connecting element |

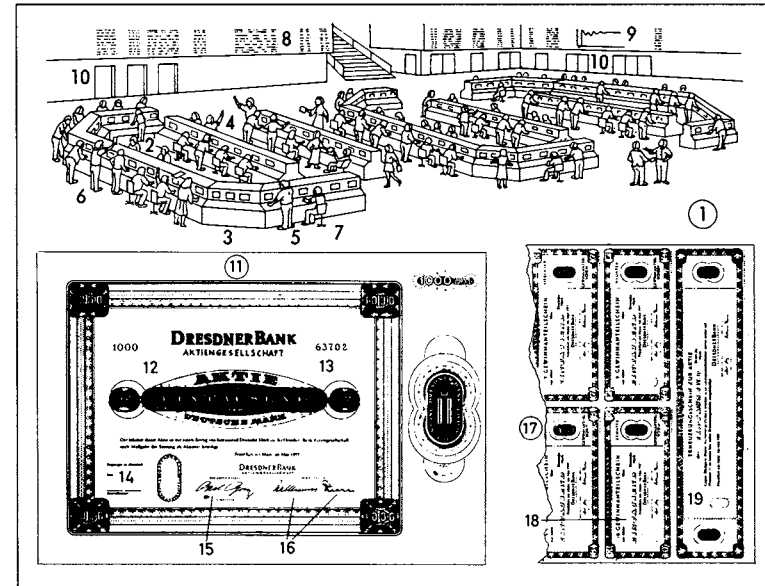
- 1 electric typewriter, a golf ball typewriter
 2-6 keyboard
 2 space bar
 3 shift key
 4 line space and carrier return key
 5 shift lock
 6 margin release key
 7 tabulator key
 8 tabulator clear key
 9 on/off switch
 10 striking force control (impression control)
 11 ribbon selector
 12 margin scale
 13 left margin stop
 14 right margin stop
 15 golf ball (spherical typing element) bearing the types
 16 ribbon cassette
 17 paper bail with rollers
 18 platen
 19 typing opening (typing window)
 20 paper release lever
 21 carrier return lever
 22 platen knob
 23 line space adjuster
 24 variable platen action lever
 25 push-in platen variable
 26 erasing table
 27 transparent cover
 28 exchange golf ball (exchange typing element)
 29 type
 30 golf ball cap (cap of typing element)
 31 teeth
 32 photocopier (copier, photocopying machine)
 33 copyboard cover with single-copy (single-sheet) delivery tray
 34 universal paper cassette
 35 adjustable paper cassettes
 36 front door
 37 dual vertical transport unit
 38 sorter
 39 copy delivery bins
 40-43 control panel displays and control keys
 40 enlargement, reduction, and program selection keys
 41 sort mode and two-sided copy keys
 42 display with colour, exposure, format, and copy number selection keys
 43 start key (copy start key)
 44 letter-folding machine
 45 paper feed
 46 folding mechanism
 47 receiving tray
 48 small offset press
 49 paper feed
 50 lever for inking the plate cylinder
 51, 52 inking unit (inker unit)
 51 distributing roller (distributor)
 52 ink roller (inking roller, fountain roller)
 53 pressure adjustment
 54 sheet delivery (receiving table)
 55 printing speed adjustment
 56 jogger for aligning the piles of sheets
 57 pile of paper (pile of sheets)
 58 folding machine
 59 gathering machine (collating machine, assembling machine) for short runs
 60 gathering station (collating station, assembling station)
 61 adhesive binder (perfect binder) for hot adhesives
 62 magnetic tape dictating machine
 63 headphones (headset, earphones)
 64 on/off switch
 65 microphone cradle
 66 foot control socket
 67 telephone adapter socket
 68 headphone socket (earphone socket, headset socket)
 69 microphone socket
 70 built-in loudspeaker
 71 indicator lamp (indicator light)
 72 cassette compartment
 73 forward wind, rewind, and stop buttons
 74 time scale with indexing marks
 75 time scale stop



**1-11 main hall**

- 1 cashier's desk (cashier's counter)
- 2 teller (cashier)
- 3 bullet-proof glass
- 4 service counters (for service and advice on savings accounts, private and company accounts, personal loans)
- 5 bank clerk
- 6 customer
- 7 brochures
- 8 stock list (price list, list of quotations)
- 9 information counter
- 10 foreign exchange counter
- 11 entrance to strong room
- 12 bill of exchange (bill); *here*: a draft, an acceptance (bank acceptance)
- 13 place of issue
- 14 date of issue
- 15 place of payment
- 16 date of maturity (due date)
- 17 bill clause (draft clause)

- 18 value
- 19 payee (remittee)
- 20 drawee (payer)
- 21 drawer
- 22 domiciliation (paying agent)
- 23 acceptance
- 24 Eurocheque card
- 25 issuing bank (drawee bank)
- 26 account number
- 27 card number
- 28 hologram, a white light hologram (rainbow hologram)
- 29 (on the back:) magnetic strip

**1-10 stock exchange**

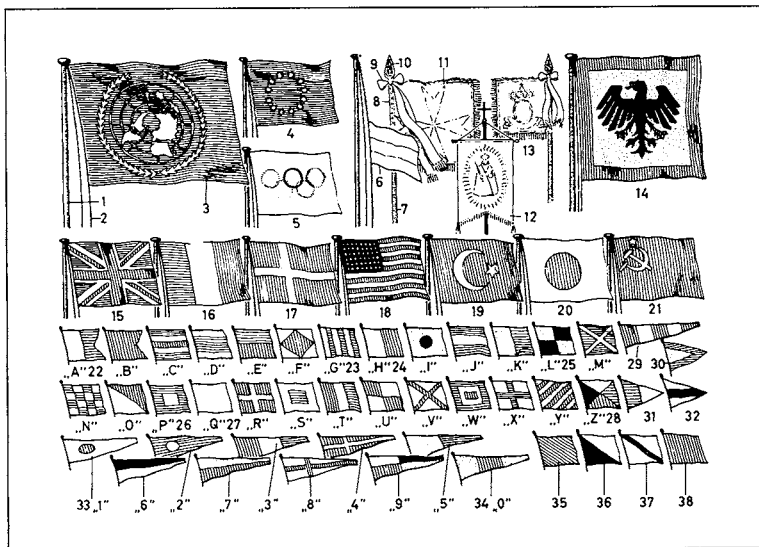
- 1 exchange hall (exchange floor)
- 2 market for securities
- 3 broker's post
- 4 sworn stockbroker (exchange broker, stockbroker, *Am.* specialist), an inside broker
- 5 kerbstone broker (kerbstoner, curbstone broker, curbstoner, outside broker), a commercial broker dealing in unlisted securities
- 6 member of the stock exchange (stockjobber, *Am.* floor trader, room trader)
- 7 stock exchange agent (boardman), a bank employee
- 8 quotation board
- 9 index curve
- 10 telephone box (telephone booth, telephone kiosk, call box)

11-19 securities; kinds: share (*Am.*

- stock), fixed-income security, annuity, bond, debenture bond, municipal bond (corporation stock), industrial bond, convertible bond
- 11 share certificate (*Am.* stock certificate); *here*: bearer share (share warrant)
- 12 par (par value, nominal par, face par) of the share
- 13 serial number
- 14 page number of entry in bank's share register (bank's stock ledger)
- 15 signature of the chairman of the board of governors
- 16 signature of the chairman of the board of directors
- 17 sheet of coupons (coupon sheet, dividend coupon sheet)
- 18 dividend warrant (dividend coupon)
- 19 talon

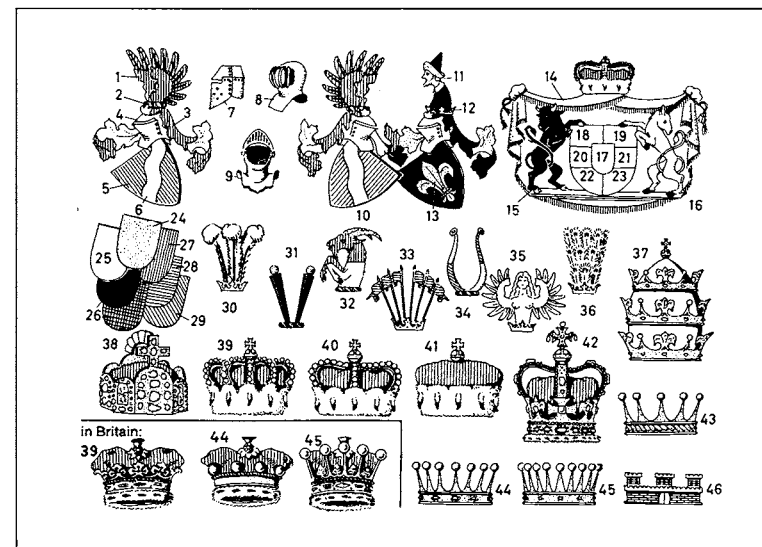
- 1-29 coins (coin, coinage, metal money, specie, *Am.* hard money); *kinds*: gold, silver, nickel, copper, or aluminium, *Am.* aluminum, coins
- 1 Athens: tetradrachm (tetradrachmon, tetradrachma)
- 2 the owl [emblem of the city of Athens]
- 3 aureus of Constantine the Great
- 4 bracteate of Emperor Frederick I Barbarossa
- 5 Louis XIV louis-d'or
- 6 Prussia: 1 reichstaler (speciestaler) of Frederick the Great
- 7 Federal Republic of Germany: 5 Deutschmarks (DM); 1 DM = 100 pfennigs
- 8 obverse
- 9 reverse (subordinate side)
- 10 mint mark (mintage, exergue)
- 11 legend (inscription on the edge of a coin)
- 12 device (type), a provincial coat of arms
- 13 Austria: 25 schillings; 1 sch = 100 groschen
- 14 provincial coats of arms
- 15 Switzerland: 5 francs; 1 franc = 100 centimes
- 16 France: 1 franc = 100 centimes
- 17 Belgium: 100 francs
- 18 Luxembourg (Luxemburg): 1 franc
- 19 Netherlands: 2 1/2 guilders; 1 guilder (florin, gulden) = 100 cents
- 20 Italy: 200 lire (*sg.* lira)
- 21 Vatican City: 100 lire (*sg.* lira)
- 22 Spain: 1 peseta = 100 céntimos
- 23 Portugal: 1 escudo = 100 centavos
- 24 Denmark: 1 krone = 100 öre
- 25 Sweden: 1 krona = 100 öre
- 26 Norway: 1 krone = 100 öre
- 27 Czechoslovakia: 1 koruna = 100 heller
- 28 Yugoslavia: 1 dinar = 100 paras
- 29 United Kingdom of Great Britain and Northern Ireland: 1 pound sterling (£1) = 100 new pence (100 p) (*sg.* new penny, new p)
- 30-39 banknotes (*Am.* bills) (paper money, notes, treasury notes)
- 30 Federal Republic of Germany: 100 DM
- 31 bank of issue (bank of circulation)
- 32 watermark [a portrait]
- 33 denomination
- 34 USA: 1 dollar (\$1) = 100 cents
- 35 facsimile signatures
- 36 impressed stamp
- 37 serial number
- 38 Greece: 1,000 drachmas (drachmae); 1 drachma = 100 lepta (*sg.* lepton)
- 39 portrait
- 40-44 striking of coins (coinage, mintage)
- 40, 41 coining dies (minting dies)
- 40 upper die
- 41 lower die
- 42 collar
- 43 coin disc (flan, planchet, blank)
- 44 coining press (minting press)





- 1-3** flag of the United Nations
1 flagpole (flagstaff) with truck
2 halyard (halliard, haulyard)
3 bunting
4 flag of the Council of Europe
5 Olympic flag
6 flag at half-mast (*Am.* at half-staff) [as a token of mourning]
7-11 flag
7 flagpole (flagstaff)
8 ornamental stud
9 streamer
10 pointed tip of the flagpole
11 bunting
12 banner (gonfalon)
13 cavalry standard (flag of the cavalry)
14 standard of the German Federal President [ensign of head of state]
15-21 national flags
15 the Union Jack (Great Britain)
16 the Tricolour (*Am.* Tricolor) (France)
17 the Danebrog (Dannebrog) (Denmark)
18 the Stars and Stripes (Star-Spangled Banner) (USA)
19 the Crescent (Turkey)
20 the Rising Sun (Japan)
21 the Hammer and Sickle (USSR)

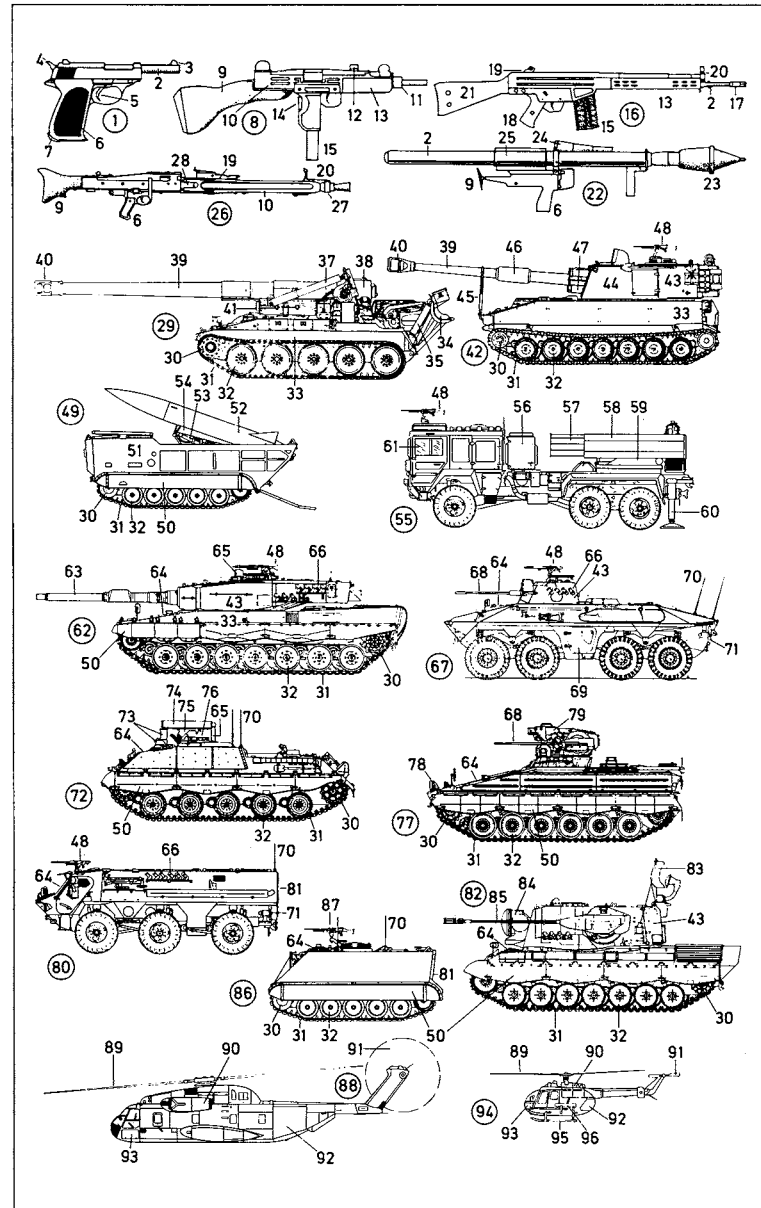
- 22-34** signal flags, a hoist
22-28 letter flags
22 letter A, a burgee (swallow-tailed flag)
23 G, pilot flag
24 H ('pilot on board')
25 L ('you should stop, I have something important to communicate')
26 P, the Blue Peter ('about to set sail')
27 W ('I require medical assistance')
28 Z, an oblong pennant (oblong pendant)
29 code pennant (code pendant), used in the International Signals Code
30-32 substitute flags (repeaters), triangular flags (pennants, pendants)
33, 34 numeral pennants (numeral pendants)
33 number 1
34 number 0
35-38 customs flags
35 customs boat pennant (customs boat pendant)
36 'ship cleared through customs'
37 customs signal flag
38 powder flag ['inflammable (flammable) cargo']

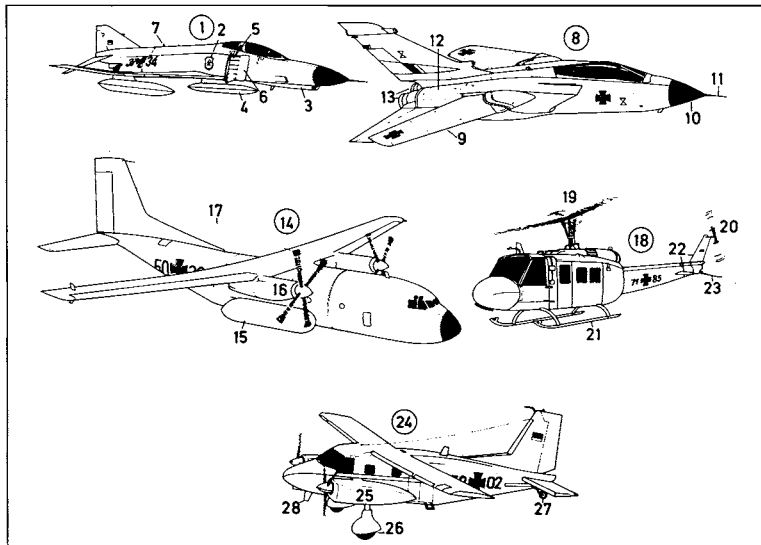


- 1-36** heraldry (blazonry)
1, 11, 30-36 crests
1-6 coat-of-arms (achievement of arms, hatching, achievement)
1 crest
2 wreath of the colours (*Am.* colors)
3 mantle (mantling)
4, 7-9 helmets (helms)
4 tilting helmet (jousting helmet)
5 shield
6 bend sinister wavy
7 pot-helmet (pot-helm, heaume)
8 barred helmet (grilled helmet)
9 helmet affronty with visor open
10-13 marital achievement (marshaled, *Am.* marshaled, coat-of-arms)
10 arms of the baron (of the husband)
11-13 arms of the family of the femme (of the wife)
11 demi-man; *also:* demi-woman
12 crest coronet
13 fleur-de-lis
14 heraldic tent (mantling)
15, 16 supporters (heraldic beasts)
15 bull
16 unicorn
17-23 blazon
17 inescutcheon (heart-shield)
18-23 quarterings one to six
18, 20, 22 dexter (right)
18, 19 chief

- 19, 21, 23** sinister (left)
22, 23 base
24-29 tinctures
24, 25 metals
24 or (gold) [yellow]
25 argent (silver) [white]
26 sable
27 gules
28 azure
29 vert
30 ostrich feathers (treble plume)
31 truncheon
32 demi-goat
33 tournament pennons
34 buffalo horns
35 harpy
36 plume of peacock's feathers
37, 38, 42-46 crowns and coronets [continental type]
37 tiara (papal tiara)
38 Imperial Crown [German, until 1806]
39 ducal coronet (duke's coronet)
40 prince's coronet
41 elector's coronet
42 English Royal Crown
43-45 coronets of rank
43 baronet's coronet
44 baron's coronet (baronial coronet)
45 count's coronet
46 mauerkrone (mural crown) of a city crest

- 1-96 army armament (army weaponry)
- 1-28 hand weapons**
- 1 P1 pistol
- 2 barrel
- 3 front sight (foresight)
- 4 hammer
- 5 trigger
- 6 pistol grip
- 7 magazine holder
- 8 MP2 submachine gun
- 9 shoulder rest (butt)
- 10 casing (mechanism casing)
- 11 barrel clamp (barrel-clamping nut)
- 12 cocking lever (cocking handle)
- 13 palm rest
- 14 safety catch
- 15 magazine
- 16 G3-A3 self-loading rifle
- 17 flash hider (flash eliminator)
- 18 trigger mechanism
- 19 notch (sighting notch, rear sight)
- 20 front sight block (foresight block) with front sight (foresight)
- 21 rifle butt (butt)
- 22 44 2A1 light anti-tank rocket launcher
- 23 rocket (projectile)
- 24 telescopic sight (telescope sight)
- 25 cheek rest
- 26 MG3 machine gun (Spandau)
- 27 recoil booster
- 28 belt-changing flap
- 29-61 artillery weapons mounted on self-propelled gun carriages**
- 29 SFM 110 A2 self-propelled howitzer
- 30-32 gun carriage
- 30 drive wheel
- 31 track
- 32 road wheel
- 33 hull
- 34 spade
- 35 spade piston
- 36 hydraulic system
- 37 elevating piston
- 38 breech ring
- 39 barrel
- 40 muzzle
- 41 buffer (buffer recuperator)
- 42 M 109 A3 G self-propelled howitzer
- 43 armoured (*Am.* armored) turret
- 44 fighting compartment
- 45 barrel clamp
- 46 fume extractor
- 47 barrel recuperator
- 48 light anti-aircraft (AA) machine gun
- 49 SF Lance missile launch system (missile launcher)
- 50 skirt
- 51 tracked vehicle
- 52 missile (guided missile)
- 53 elevating gear
- 54 launching ramp
- 55 110 SF 2 rocket launcher
- 56 fire control system
- 57 launching tubes
- 58 tube bins
- 59 turntable
- 60 jack
- 61 driver's cab
- 62-87 armoured (*Am.* armored) vehicles**
- 62 Leopard 2 tank
- 63 smooth-barrelled gun
- 64 driver's hatch
- 65 commander's periscope
- 66 smoke canister (smoke dispenser)
- 67 Luchs armoured (*Am.* armored) reconnaissance vehicle, an amphibious vehicle
- cannon
- 68
- 69 hatch
- 70 antenna
- 71 propeller (for propulsion in water)
- 72 Jagdpanzer Jaguar 1 ATGW vehicle (HOT)
- 73 guidance system (upper part) with guidance unit
- 74 HOT guided-missile launcher
- 75 firing mechanism (upper part)
- 76 commander's cupola
- 77 Marder armoured (*Am.* armored) personnel carrier
- 78 searchlight
- 79 MILAN anti-tank guided-missile system
- 80 Fuchs armoured (*Am.* armored) personnel and load carrier, an amphibious vehicle
- 81 rear door
- 82 Gepard anti-aircraft tank
- 83 surveillance radar
- 84 tracking radar for fire control
- 85 twin 35 mm cannon
- 86 M113 A1 G armoured (*Am.* armored) personnel carrier
- 87 machine gun on a traversing mount
- 88-96 helicopters**
- 88 CH-53 G transport helicopter
- 89 single rotor
- 90 turbine
- 91 stabilizing tail rotor
- 92 fuselage
- 93 cockpit
- 94 BO-105P anti-tank helicopter
- 95 skid
- 96 HOT anti-tank guided-missile launcher





1 McDonnell-Douglas F-4F Phantom II interceptor and fighter-bomber

- 2 squadron marking
- 3 aircraft cannon
- 4 wing tank (underwing tank)
- 5 air intake
- 6 boundary layer control flap
- 7 in-flight refuelling (Am. refueling) probe (flight refuelling probe, air refuelling probe)

8 Panavia 2000 Tornado multirole combat aircraft (MRCA)

- 9 swing wing
- 10 radar nose (radome, radar dome)
- 11 pitot-static tube (pitot tube)
- 12 brake flap (air brake)
- 13 afterburner exhaust nozzles of the engines

14 C160 Transall medium-range transport aircraft

- 15 undercarriage housing (landing gear housing)

16 propeller-turbine engine (turbo-prop engine)

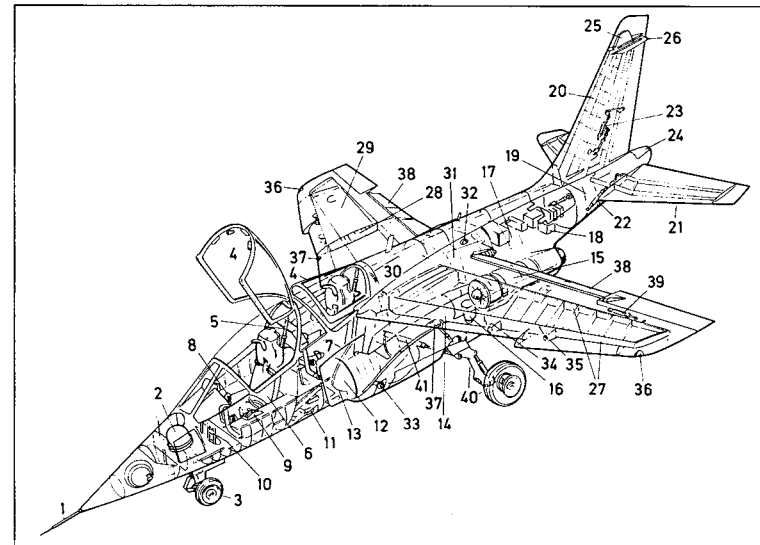
17 antenna

18 Bell UH-1D Iroquois light transport and rescue helicopter

- 19 main rotor
- 20 tail rotor
- 21 landing skids
- 22 stabilizing fins (stabilizing surfaces, stabilizers)
- 23 tail skid

24 Dornier DO 28 D-2 Skyservant transport and communications aircraft

- 25 engine pod
- 26 main undercarriage unit (main landing gear unit)
- 27 tail wheel
- 28 sword antenna



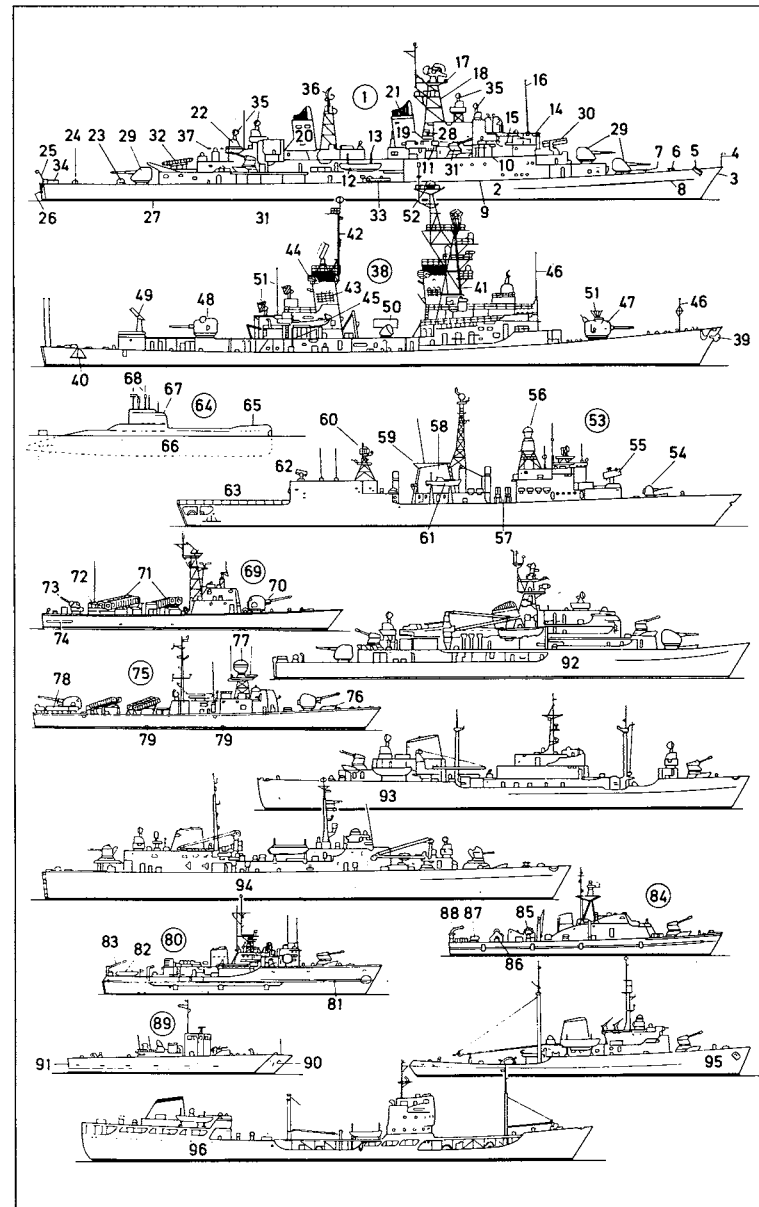
1-41 Dornier-Dassault-Breguet Alpha Jet Franco-German jet trainer

- 1 pitot-static tube (pitot tube)
- 2 oxygen tank
- 3 forward-retracting nose wheel
- 4 cockpit canopy (cockpit hood)
- 5 canopy jack
- 6 pilot's seat (student pilot's seat), an ejector seat (ejection seat)
- 7 observer's seat (instructor's seat), an ejector seat (ejection seat)
- 8 control column (control stick)
- 9 thrust lever
- 10 rudder pedals with brakes
- 11 front avionics bay
- 12 air intake to the engine
- 13 boundary layer control flap
- 14 air intake duct
- 15 turbine engine
- 16 reservoir for the hydraulic system
- 17 battery housing
- 18 rear avionics bay
- 19 baggage compartment
- 20 triple-spar tail construction
- 21 horizontal tail
- 22 servo-actuating mechanism for the elevator

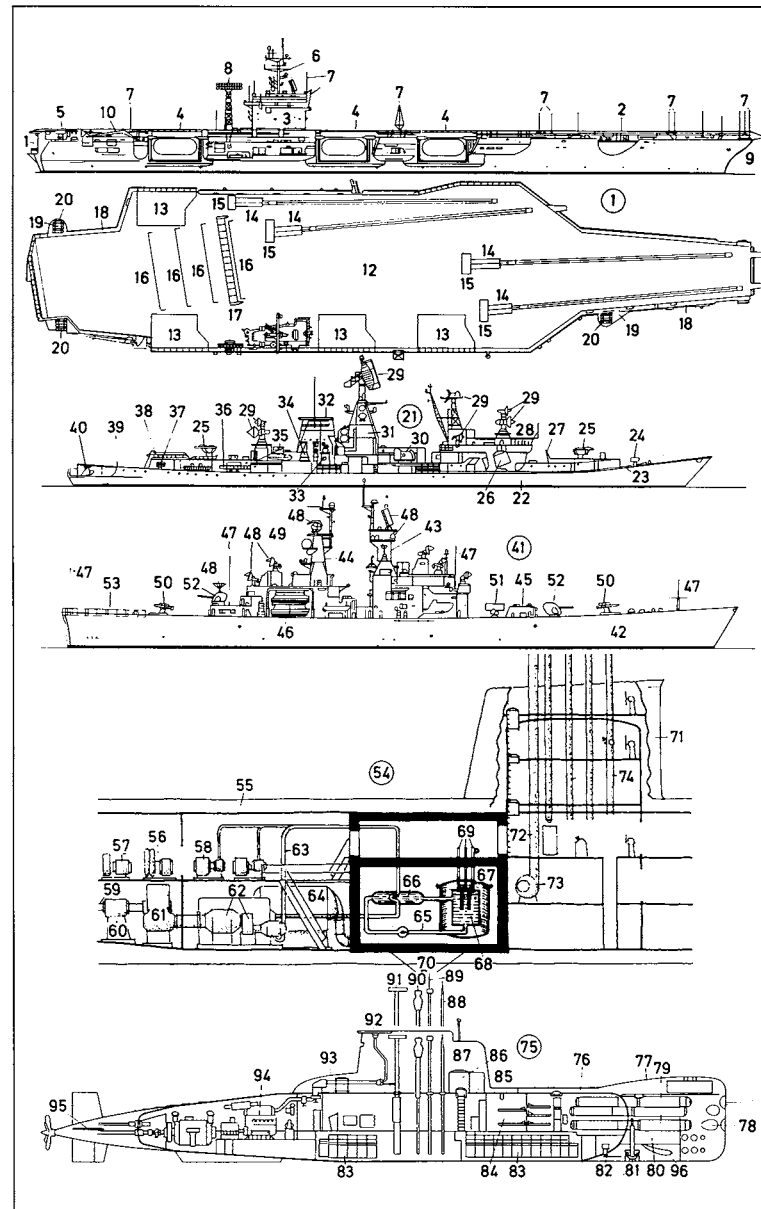
23 servo-actuating mechanism for the rudder

- 24 brake chute housing (drag chute housing)
- 25 VHF (very high frequency) antenna (UHF antenna)
- 26 VOR (very high frequency omnidirectional range) antenna
- 27 twin-spar wing construction
- 28 former with integral spars
- 29 integral wing tanks
- 30 centre-section (Am. center-section) fuel tank
- 31 fuselage tanks
- 32 gravity fuelling (Am. fueling) point
- 33 pressure fuelling (Am. fueling) point
- 34 inner wing suspension
- 35 outer wing suspension
- 36 navigation lights (position lights)
- 37 landing lights
- 38 landing flap
- 39 aileron actuator
- 40 forward-retracting main undercarriage unit (main landing gear unit)
- 41 undercarriage hydraulic cylinder (landing gear hydraulic cylinder)

- 1 Hamburg class **guided-missile destroyer**
- 2 hull of flush-deck vessel
- 3 bow (stem)
- 4 flagstaff (jackstaff)
- 5 anchor, a stockless anchor (patent anchor)
- 6 anchor capstan (windlass)
- 7 breakwater (*Am. manger board*)
- 8 chine strake
- 9 main deck
- 10-28 superstructures
- 10 superstructure deck
- 11 life rafts
- 12 cutter (ship's boat)
- 13 davit (boat-launching crane)
- 14 bridge (bridge superstructure)
- 15 side navigation light (side running light)
- 16 antenna
- 17 radio direction finder (RDF) frame
- 18 lattice mast
- 19 forward funnel
- 20 aft funnel
- 21 cowl
- 22 aft superstructure (poop)
- 23 capstan
- 24 companion ladder (companionway, companion hatch)
- 25 ensign staff
- 26 stern, a transom stern
- 27 waterline
- 28 searchlight
- 29-37 armament
- 29 100 mm gun turret
- 30 four-barrel anti-submarine rocket launcher (missile launcher)
- 31 40 mm twin anti-aircraft (AA) gun
- 32 MM 38 anti-aircraft (AA) rocket launcher (missile launcher) in launching container
- 33 anti-submarine torpedo tube
- 34 depth-charge thrower
- 35 weapon system radar
- 36 radar antenna (radar scanner)
- 37 optical rangefinder
- 38 Lütjens class **guided-missile destroyer**
- 39 bower anchor
- 40 propeller guard
- 41 tripod lattice mast
- 42 pole mast
- 43 ventilator openings (ventilator grill)
- 44 exhaust pipe
- 45 ship's boat
- 46 antenna
- 47 radar-controlled 127 mm all-purpose gun in turret
- 48 127 mm all-purpose gun
- 49 launcher for Tartar missiles
- 50 anti-submarine rocket (ASROC) launcher (missile launcher)
- 51 fire control radar antennas
- 52 radome (radar dome)
- 53 Bremen class **frigate**
- 54 radar-controlled 76 mm rapid-fire gun
- 55 Sea Sparrow surface-to-air missiles
- 56 radar and fire control system
- 57 Harpoon surface-to-surface missiles
- 58 funnel
- 59 cowl
- 60 air/surface search radar
- 61 cutter
- 62 close-range surface-to-air missiles
- 63 helicopter deck
- 64 type 206 **submarine**
- 65 flooded foredeck
- 66 pressure hull
- 67 turret
- 68 retractable instruments
- 69 type 148 **missile-firing fast attack craft**
- 70 76 mm all-purpose gun with turret
- 71 missile-launching housing
- 72 deckhouse
- 73 40 mm anti-aircraft (AA) gun
- 74 propeller guard moulding (*Am. molding*)
- 75 type 143 **missile-firing fast attack craft**
- 76 breakwater (*Am. manger board*)
- 77 radome (radar dome)
- 78 torpedo tube
- 79 exhaust escape flue
- 80 type 331 **mine hunter**
- 81 reinforced rubbing strake
- 82 inflatable boat (inflatable dinghy)
- 83 davit
- 84 type 341 **minesweeper**
- 85 cable winch
- 86 towing winch (towing machine, towing engine)
- 87 mine-sweeping gear (paravanes)
- 88 crane (davit)
- 89 Barbe class **landing craft**
- 90 bow ramp
- 91 stern ramp
- 92 Rhein class **tender**
- 93 Lüneburg class **support ship**
- 94 Sachsenwald class **mine transport**
- 95 Helgoland class **salvage tug**
- 96 replenishment tanker 'Eifel'



- 1 nuclear-powered aircraft carrier *Nimitz* ICVN68 (USA)
- 2-11 body plan
- 2 flight deck
- 3 island (bridge)
- 4 aircraft lift (*Am.* aircraft elevator)
- 5 eight-barrel anti-aircraft (AA) rocket launcher (missile launcher)
- 6 pole mast (antenna mast)
- 7 antenna
- 8 radar antenna (radar scanner)
- 9 fully enclosed bow
- 10 deck crane
- 11 transom stern
- 12-20 deck plan
- 12 angle deck (flight deck)
- 13 aircraft lift (*Am.* aircraft elevator)
- 14 twin launching catapult
- 15 hinged (movable) baffle board
- 16 arrester wire
- 17 emergency crash barrier
- 18 safety net
- 19 caisson (cofferdam)
- 20 eight-barrel anti-aircraft (AA) rocket launcher (missile launcher)
- 21 *Kara class* rocket cruiser (missile cruiser) (USSR)
- 22 hull of flush-deck vessel
- 23 sheer
- 24 twelve-barrel underwater salvo rocket launcher (missile launcher)
- 25 twin anti-aircraft (AA) rocket launcher (missile launcher)
- 26 launching housing for 4 short-range rockets (missiles)
- 27 baffle board
- 28 bridge
- 29 radar antenna (radar scanner)
- 30 twin 76 mm anti-aircraft (AA) gun turret
- 31 turret
- 32 funnel
- 33 twin anti-aircraft (AA) rocket launcher (missile launcher)
- 34 automatic anti-aircraft (AA) gun
- 35 ship's boat
- 36 underwater 5-torpedo housing
- 37 underwater 6-salvo rocket launcher (missile launcher)
- 38 helicopter hangar
- 39 helicopter landing platform
- 40 variable depth sonar (VDS)
- 41 *California class* rocket cruiser (missile cruiser) (USA)
- 42 hull
- 43 forward turret
- 44 aft turret
- 45 forward superstructure
- 46 landing craft
- 47 antenna
- 48 radar antenna (radar scanner)
- 49 radome (radar dome)
- 50 surface-to-air rocket launcher (missile launcher)
- 51 underwater rocket launcher (missile launcher)
- 52 127 mm gun with turret
- 53 helicopter landing platform
- 54 nuclear-powered fleet submarine
- 55-74 middle section [diagram]
- 55 pressure hull
- 56 auxiliary engine room
- 57 rotary turbine pump
- 58 steam turbine generator
- 59 propeller shaft
- 60 thrust block
- 61 reduction gear
- 62 high and low pressure turbine
- 63 high-pressure steam pipe for the secondary water circuit (auxiliary water circuit)
- 64 condenser
- 65 primary water circuit
- 66 heat exchanger
- 67 nuclear reactor casing (atomic pile casing)
- 68 reactor core
- 69 control rods
- 70 lead screen
- 71 turret
- 72 snorkel (schnorkel)
- 73 air inlet
- 74 retractable instruments
- 75 patrol submarine with conventional (diesel-electric) drive
- 76 pressure hull
- 77 flooded foredeck
- 78 outer flap (outer doors) [for torpedoes]
- 79 torpedo tube
- 80 bow bilge
- 81 anchor
- 82 anchor winch
- 83 battery
- 84 living quarters with folding bunks
- 85 commanding officer's cabin
- 86 main hatchway
- 87 flagstaff
- 88-91 retractable instruments
- 88 attack periscope
- 89 antenna
- 90 snorkel (schnorkel)
- 91 radar antenna (radar scanner)
- 92 exhaust outlet
- 93 heat space (hot-pipe space)
- 94 diesel generators
- 95 aft diving plane and vertical rudder
- 96 forward vertical rudder



1-85 primary school

1-45 classroom

- 1 arrangement of desks in a horse-shoe
- 2 double desk
- 3 pupils (children) in a group (sitting in a group)
- 4 exercise book
- 5 pencil
- 6 wax crayon
- 7 school bag
- 8 handle
- 9 school satchel (satchel)
- 10 front pocket
- 11 strap (shoulder strap)
- 12 pen and pencil case
- 13 zip (*Am. zipper*)
- 14 fountain pen (pen)
- 15 loose-leaf file (ring file)
- 16 reader
- 17 spelling book
- 18 exercise book (notebook)
- 19 felt tip pen
- 20 pupil raising her hand
- 21 teacher
- 22 teacher's desk
- 23 register
- 24 pen and pencil tray
- 25 desk mat (blotter)
- 26 window painting with finger paints (finger painting)
- 27 pupils' (children's) paintings (watercolours, *Am. watercolors*)
- 28 cross
- 29 three-part blackboard
- 30 bracket for holding charts
- 31 chalk ledge
- 32 chalk
- 33 blackboard drawing
- 34 diagram
- 35 reversible side blackboard
- 36 projection screen
- 37 triangle
- 38 protractor
- 39 divisions
- 40 blackboard compass
- 41 sponge tray
- 42 blackboard sponge (sponge)
- 43 classroom cupboard
- 44 map (wall map)

- 45 brick wall
- 46-85 craft room
- 46 workbench
- 47 vice (*Am. vise*)
- 48 vice (*Am. vise*) bar
- 49 scissors
- 50-52 working with glue (sticking paper, cardboard, etc.)
- 50 surface to be glued
- 51 tube of glue
- 52 tube cap
- 53 fretsaw
- 54 fretsaw blade (saw blade)
- 55 wood rasp (rasp)
- 56 piece of wood held in the vice (*Am. vise*)
- 57 glue pot
- 58 stool
- 59 brush
- 60 pan (dustpan)
- 61 broken china
- 62 enamelling (*Am. enameling*)
- 63 electric enamelling (*Am. enameling*) stove
- 64 unworked copper
- 65 enamel powder
- 66 hair sieve
- 67-80 pupils' (children's) work
- 67 clay models (models)
- 68 window decoration of coloured (*Am. colored*) glass
- 69 glass mosaic picture (glass mosaic)
- 70 mobile
- 71 paper kite (kite)
- 72 wooden construction
- 73 polyhedron
- 74 hand puppets
- 75 clay masks
- 76 cast candles (wax candles)
- 77 wood carving
- 78 clay jug
- 79 geometrical shapes made of clay
- 80 wooden toys
- 81 materials
- 82 stock of wood
- 83 inks for wood cuts
- 84 paintbrushes
- 85 bag of plaster of Paris



1-45 grammar school; also: upper band of a comprehensive school (*Am.* alternative school)

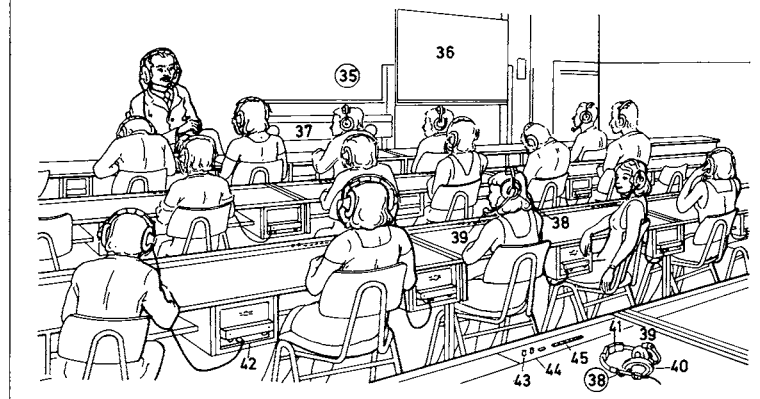
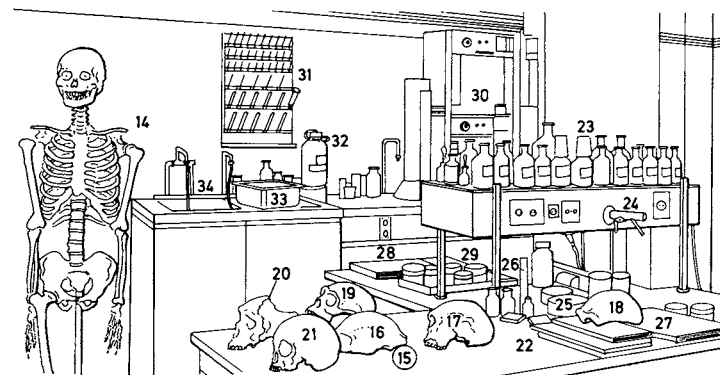
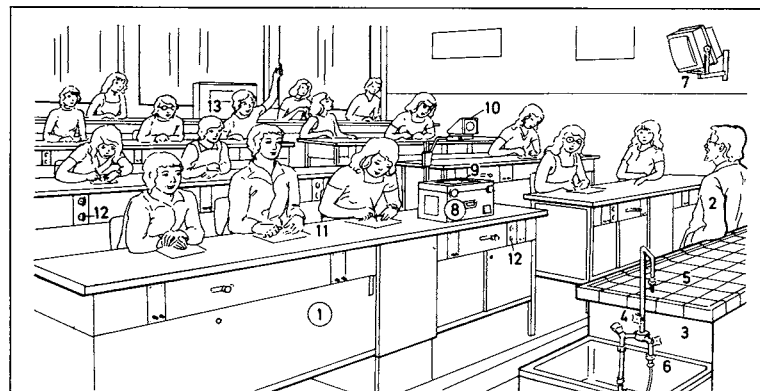
1-13 chemistry

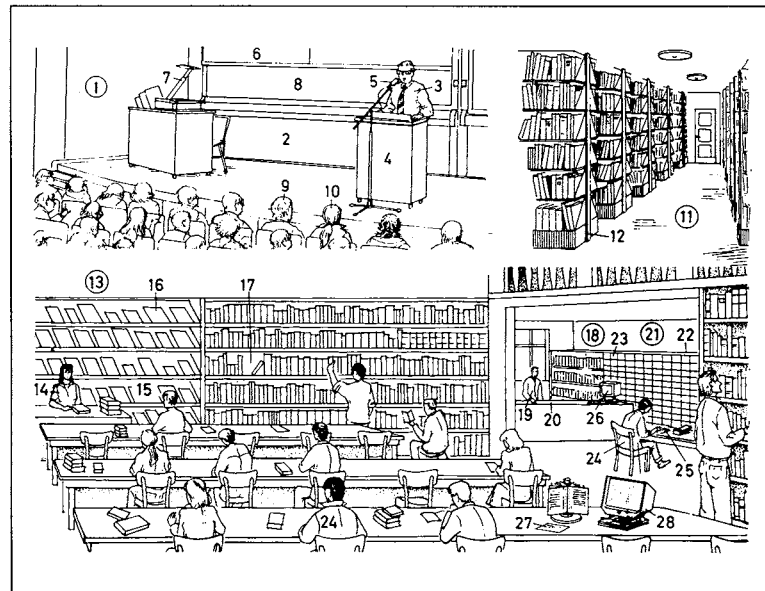
- 1** chemistry lab (chemistry laboratory) with tiered rows of seats
2 chemistry teacher
3 demonstration bench (teacher's bench)
4 water pipe
5 tiled working surface
6 sink
7 television monitor, a screen for educational programmes (*Am.* programs)
8 overhead projector
9 projector top for skins
10 projection lens with right-angle mirror
11 pupils' (*Am.* students') bench with experimental apparatus
12 electrical point (socket)
13 projection table

14-34 biology preparation room (biology prep room)

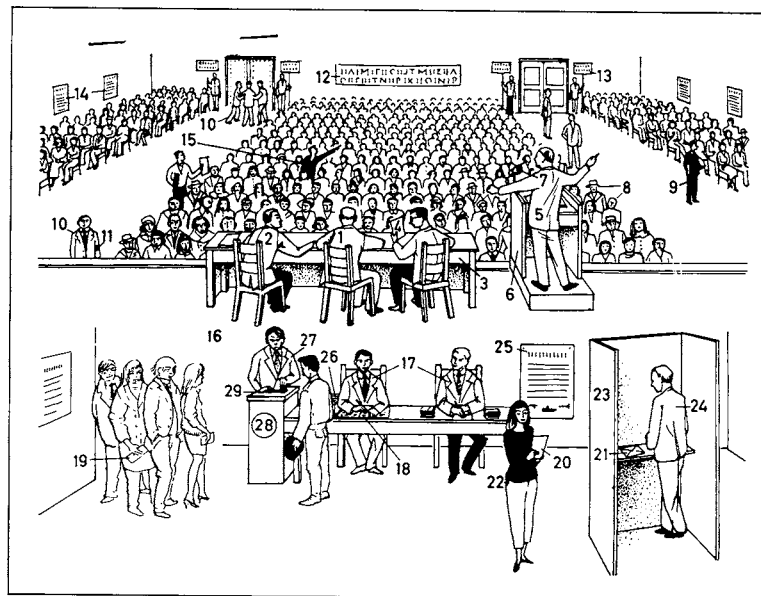
- 14** skeleton
15 casts of skulls
16 calvarium of Pithecanthropus erectus
17 skull of Steinheim man
18 calvarium of Peking man (of Sinanthropus)
19 skull of Neanderthal man, a skull of primitive man
20 Australopithecine skull (skull of Australopithecus)
21 skull of present-day man
22 dissecting bench
23 chemical bottles
24 gas tap
25 petri dish
26 measuring cylinder
27 work folder containing teaching material
28 textbook
29 bacteriological cultures
30 incubator

- 31** test tube rack
32 washing bottle
33 water tank
34 sink
35 language laboratory
36 blackboard
37 console
38 headphones (headset)
39 microphone
40 earcup
41 padded headband (padded headpiece)
42 programme (*Am.* program) recorder, a cassette recorder
43 pupil's (*Am.* student's) volume control
44 master volume control
45 control buttons (operating keys)

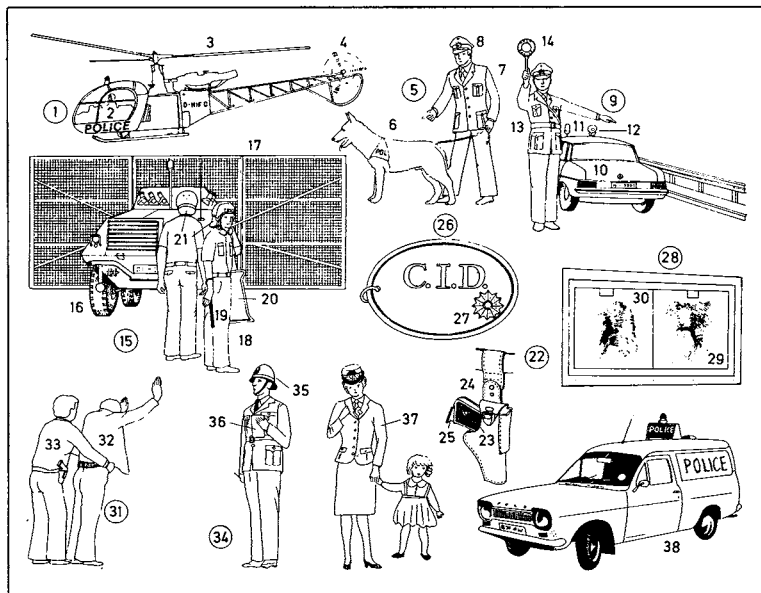


**1-28 university (college)**

- | | |
|--|---|
| <p>1 lecture
2 lecture room (lecture theatre, <i>Am.</i> theater)
3 university lecturer (lecturer, college lecturer, <i>Am.</i> assistant professor)
4 lectern
5 microphone
6 remote-controlled blackboard
7 overhead projector
8 projection screen for projecting pictures by means of a film projector, slide projector, or an epidiastoscope
9, 10 students
11-28 university library; <i>sim.</i>: national library, regional or municipal scientific library
11 stack (book stack) with the stock of books
12 bookshelf, a steel shelf
13 reading room</p> | <p>14 member of the reading room staff, a librarian
15 periodicals rack with periodicals
16 newspaper shelf
17 reference library with reference books (handbooks, encyclopedias, dictionaries)
18 lending library and catalogue (<i>Am.</i> catalog) room
19 librarian
20 issue desk
21 main catalogue (<i>Am.</i> catalog)
22 card catalogue (<i>Am.</i> catalog)
23 card catalogue (<i>Am.</i> catalog) drawer
24 library user
25 borrower's ticket (library ticket)
26 issue terminal
27 microfiche (fiche)
28 microfiche reader</p> |
|--|---|

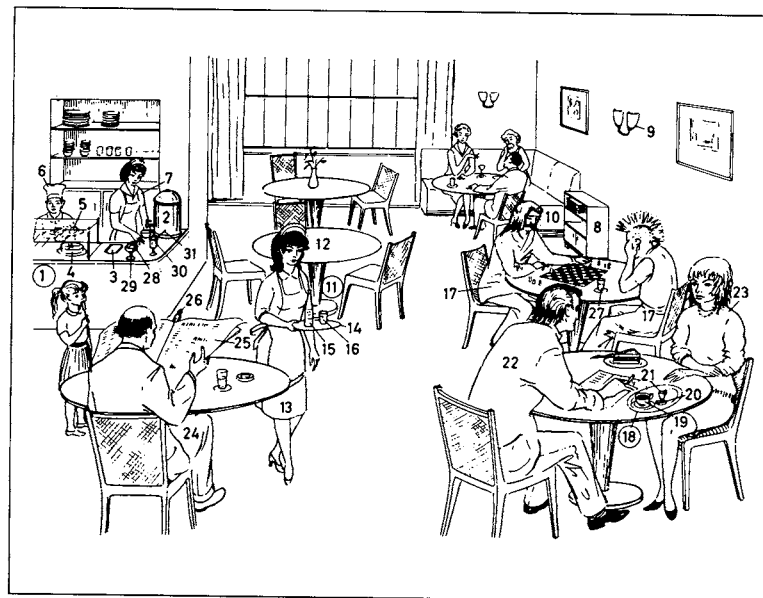
**1-15 election meeting, a public meeting**

- | | |
|--|--|
| <p>1 chairman
2 committee member
3 committee table
4 pamphlet
5 election speaker (speaker)
6 rostrum
7 microphone
8 meeting (audience)
9 man distributing leaflets
10 stewards
11 armband (armlet)
12 banner
13 placard
14 proclamation
15 heckler
16-29 election
16 polling station (polling place)
17 polling officers
18 electoral list</p> | <p>19 polling card with registration number (polling number)
20 ballot paper with the names of the parties and candidates
21 ballot envelope
22 voter
23 polling booth
24 elector (qualified voter)
25 election regulations
26 electoral register
27 election supervisor
28 ballot box
29 slot</p> |
|--|--|



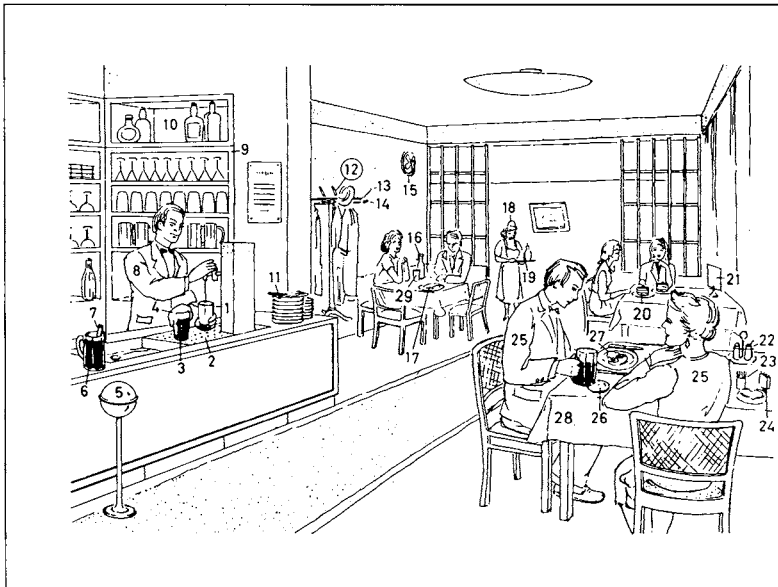
1-33 police duties

- 1 **police helicopter** (traffic helicopter) for controlling traffic from the air
- 2 cockpit
- 3 rotor (main rotor)
- 4 tail rotor
- 5 **use of police dogs**
- 6 police dog
- 7 uniform
- 8 uniform cap, a peaked cap with cockade
- 9 **traffic control** by a mobile traffic patrol
- 10 patrol car
- 11 blue light
- 12 loud hailer (loudspeaker)
- 13 patrolman (police patrolman)
- 14 police signalling (*Am.* signaling) disc (disk)
- 15 **riot duty**
- 16 special armoured (*Am.* armored) car
- 17 barricade
- 18 policeman (police officer) in riot gear
- 19 truncheon (baton)
- 20 riot shield
- 21 protective helmet (helmet)
- 22 **service pistol**
- 23 pistol grip
- 24 quick-draw holster
- 25 magazine
- 26 **police identification disc (disk)**
- 27 police badge
- 28 **fingerprint identification** (dactyloscopy)
- 29 fingerprint
- 30 illuminated screen
- 31 **search**
- 32 suspect
- 33 detective (plainclothes policeman)
- 34 English policeman
- 35 helmet
- 36 pocket book
- 37 policewoman
- 38 police van



1-31 café; *sim.*: espresso bar, tea

- 1 counter (cake counter)
- 2 coffee urn
- 3 tray for the money
- 4 gâteau
- 5 meringue with whipped cream
- 6 trainee pastry cook
- 7 counter assistant
- 8 newspaper shelves (newspaper rack)
- 9 wall lamp
- 10 corner seat, an upholstered seat
- 11 café table
- 12 marble top
- 13 waitress
- 14 tray
- 15 bottle of lemonade
- 16 lemonade glass
- 17 chess players playing a game of chess
- 18 coffee set
- 19 cup of coffee
- 20 small sugar bowl
- 21 cream jug (*Am.* creamer)
- 22-24 café customers
- 22 gentleman
- 23 lady
- 24 man reading a newspaper
- 25 newspaper
- 26 newspaper holder
- 27 espresso
- 28 ice cream in assorted flavours (*Am.* flavors)
- 29 ice-cream dish (sundae dish)
- 30 iced coffee
- 31 (drinking) straw

**1-27 restaurant****1-11 bar (counter)**

- 1 beer pump (beerpull)
- 2 drip tray
- 3 beer glass
- 4 froth (head)
- 5 spherical ashtray for cigarette and cigar ash
- 6 beer glass (beer mug)
- 7 beer warmer
- 8 bartender (barman, *Am.* barkeeper, barkeep)
- 9 shelf for glasses
- 10 shelf for bottles
- 11 stack of plates
- 12 coat stand
- 13 hat peg
- 14 coat hook
- 15 wall ventilator
- 16 bottle
- 17 complete meal
- 18 waitress
- 19 tray

- 20 dessert, a slice of cake

- 21 menu (menu card)

- 22 cruet stand

- 23 toothpick holder

- 24 matchbox holder

- 25 customer

- 26 beer mat

- 27 meal of the day

28-44 wine restaurant (wine bar)

- 28 tablecloth

- 29 glass of water

- 30 wine waiter, a head waiter

- 31 wine list

- 32 wine carafe

- 33 wineglass

- 34 tiled stove

- 35 stove tile

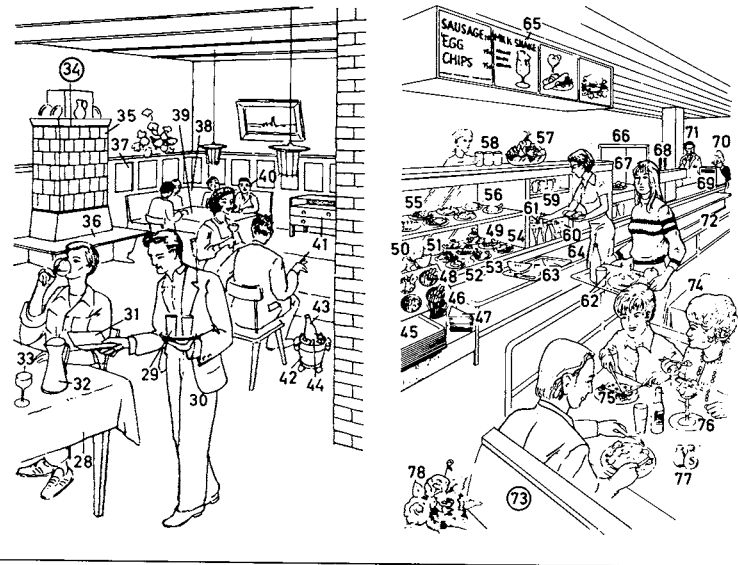
- 36 stove bench

- 37 wooden panelling (*Am.* paneling)

- 38 corner seat

- 39 table reserved for regular customers

- 40 regular customer



- 41 cutlery chest

- 42 wine cooler

- 43 bottle of wine

- 44 ice cubes (ice, lumps of ice)

45-78 self-service restaurant

- 45 stack of trays

- 46 drinking straws (straws)

- 47 serviettes (napkins)

- 48 cutlery holders

- 49 cool shelf

- 50 slice of honeydew melon

- 51 plate of salad

- 52 plate of cheeses

- 53 fish dish

- 54 filled roll

- 55 meat dish with trimmings

- 56 half chicken

- 57 basket of fruit

- 58 fruit juice

- 59 drinks shelf

- 60 bottle of milk

- 61 bottle of mineral water

- 62 vegetarian meal (diet meal)

- 63 tray

- 64 tray counter

- 65 food price list

- 66 serving hatch

- 67 hot meal

- 68 beer pump (beerpull)

- 69 cash desk

- 70 cashier

- 71 proprietor

- 72 rail

- 73 dining area

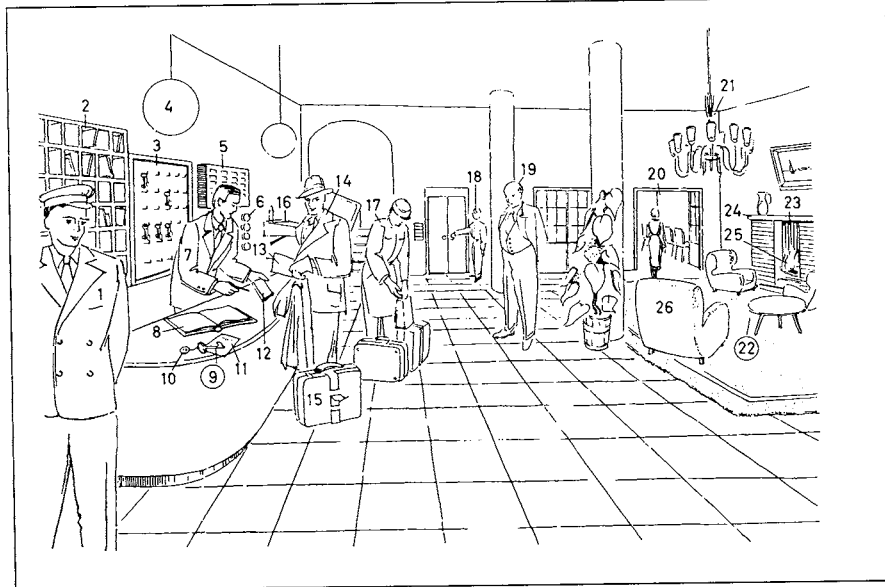
- 74 table

- 75 open sandwich

- 76 ice-cream sundae

- 77 salt cellar and pepper pot

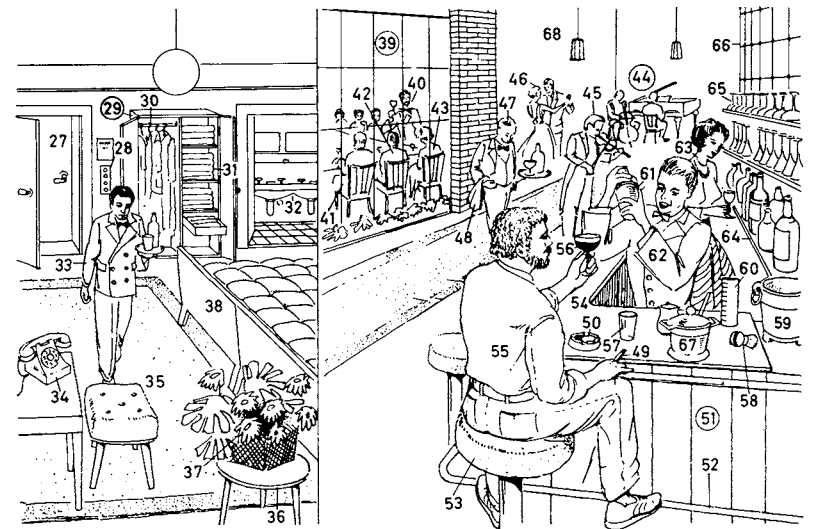
- 78 table decoration (flower arrangement)

**1-26 vestibule (foyer, reception hall)**

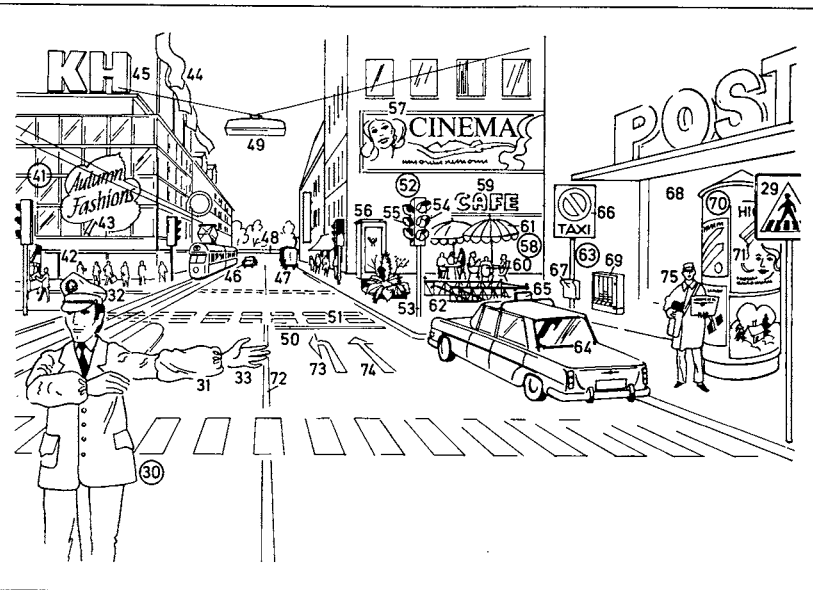
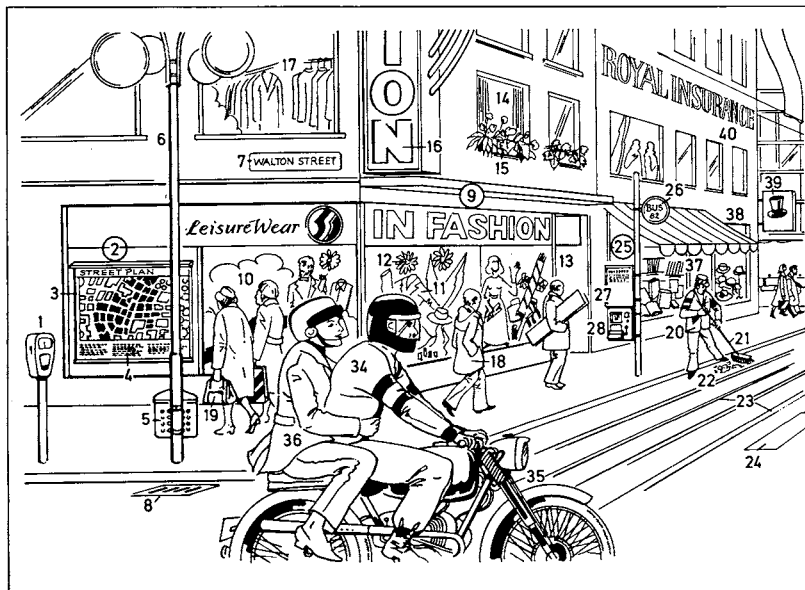
- 1 doorman (commissionaire)
- 2 letter rack with pigeon holes
- 3 key rack
- 4 globe lamp, a frosted glass globe
- 5 indicator board
- 6 indicator light
- 7 chief receptionist
- 8 register (hotel register)
- 9 room key
- 10 number tag (number tab) showing room number
- 11 hotel bill
- 12 block of registration forms
- 13 passport
- 14 hotel guest
- 15 lightweight suitcase [for air travel]
- 16 wall desk
- 17 porter (*Am.* baggage man)
- 18-26 lobby (hotel lobby)
- 18 page (pageboy, *Am.* bell boy)
- 19 hotel manager
- 20 dining room (hotel restaurant)

21 chandelier

- 22 fireside
- 23 fireplace
- 24 mantelpiece (mantelshelf)
- 25 fire
- 26 armchair
- 27-38 **hotel room**, a double room with bath
- 27 double door
- 28 service bell panel
- 29 wardrobe (*Am.* clothes closet)
- 30 clothes compartment
- 31 linen compartment
- 32 double washbasin
- 33 room waiter
- 34 room telephone
- 35 velour (velours) carpet
- 36 flower stand
- 37 flower arrangement
- 38 double bed
- 39 **function room** (banqueting hall)
- 40-43 private party

**40 speaker proposing a toast**

- 41 42's neighbour (*Am.* neighbor)
- 42 43's partner
- 43 42's partner
- 44 bar trio
- 45 violinist
- 46 couple dancing (dancing couple)
- 47 waiter
- 48 napkin
- 49 cigarette
- 50 ashtray
- 51 **hotel bar**
- 52 foot rail
- 53 bar stool
- 54 bar
- 55 bar customer
- 56 cocktail glass (*Am.* highball glass)
- 57 whisky (whiskey) glass
- 58 champagne cork
- 59 champagne bucket (champagne cooler)
- 60 measuring beaker (measure)
- 61 cocktail shaker
- 62 bartender (barman, *Am.* barkeeper, barkeep)
- 63 barmaid
- 64 shelf for bottles
- 65 shelf for glasses
- 66 mirrored panel
- 67 ice bucket
- 68 hotel foyer

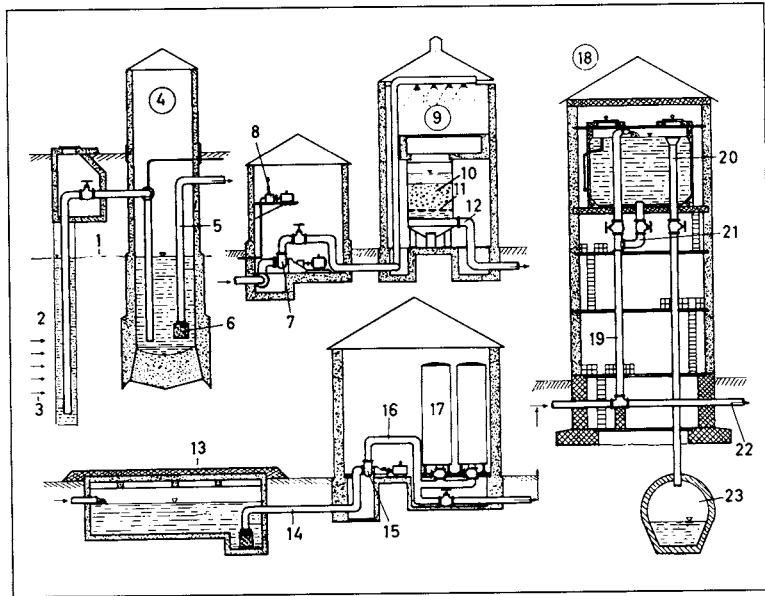


- 1 parking meter
- 2 map of the town (street map)
- 3 illuminated board
- 4 key
- 5 litter bin (*Am.* trash bin)
- 6 street lamp (street light)
- 7 street sign showing the name of the street
- 8 drain
- 9 clothes shop (fashion house)
- 10 shop window
- 11 window display (shop window display)
- 12 window decoration (shop window decoration)
- 13 entrance
- 14 window
- 15 window box
- 16 neon sign
- 17 tailor's workroom
- 18 pedestrian
- 19 shopping bag
- 20 road sweeper (*Am.* street sweeper)

- 21 broom
- 22 rubbish (litter)
- 23 tramlines (*Am.* streetcar tracks)
- 24 pedestrian crossing (zebra crossing, *Am.* crosswalk)
- 25 tram stop (*Am.* streetcar stop, trolley stop)
- 26 tram stop sign (*Am.* streetcar stop sign, trolley stop sign)
- 27 tram timetable (*Am.* streetcar schedule, trolley schedule)
- 28 ticket machine
- 29 'pedestrian crossing' sign
- 30 traffic policeman on traffic duty (point duty)
- 31 traffic control cuff
- 32 white cap
- 33 hand signal
- 34 motorcyclist
- 35 motorcycle
- 36 pillion passenger (pillion rider)
- 37 bookshop

- 38 hat shop (hatter's shop); *for ladies'* hats: milliner's shop
- 39 shop sign
- 40 insurance company office
- 41 department store
- 42 shop front
- 43 advertisement
- 44 flags
- 45 illuminated letters
- 46 tram (*Am.* streetcar, trolley)
- 47 furniture lorry (*Am.* furniture truck)
- 48 flyover
- 49 suspended street lamp
- 50 stop line
- 51 pedestrian crossing (*Am.* crosswalk)
- 52 traffic lights
- 53 traffic light post
- 54 set of lights
- 55 pedestrian lights
- 56 telephone box (telephone booth, telephone kiosk, call box)

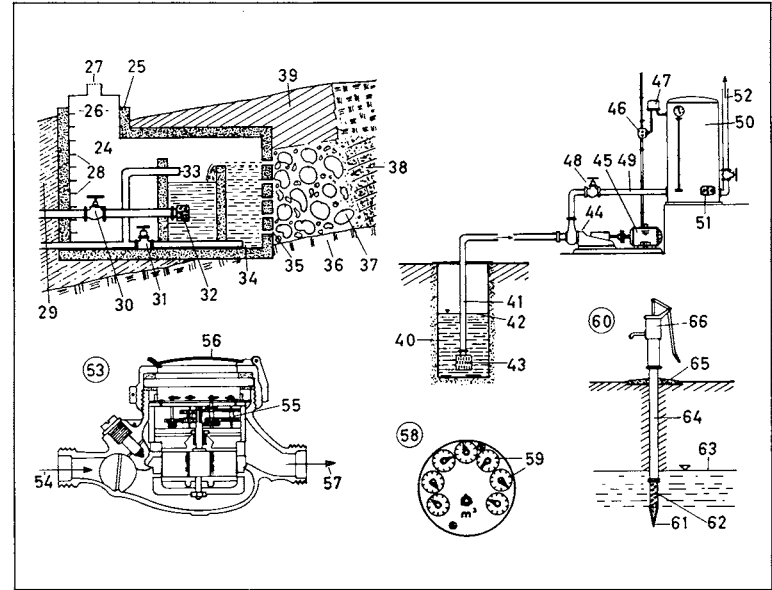
- 57 cinema (*Am.* movie) advertisement (film poster, *Am.* movie poster)
- 58 pedestrian precinct (paved zone)
- 59 street café
- 60 group seated (sitting) at a table
- 61 sunshade
- 62 steps to the public lavatories (public conveniences)
- 63 taxi rank (taxi stand)
- 64 taxi (taxicab, cab)
- 65 taxi sign
- 66 'taxi rank' ('taxi stand') sign
- 67 taxi telephone
- 68 post office
- 69 cigarette machine
- 70 advertising pillar
- 71 poster (advertisement)
- 72 white line
- 73 lane arrow for turning left
- 74 lane arrow for going straight ahead
- 75 news vendor (*Am.* news dealer)



1-66 drinking water supply

- 1 water table (groundwater level)
- 2 water-bearing stratum (aquifer, aquafer)
- 3 groundwater stream (underground stream)
- 4 collector well for raw water
- 5 suction pipe
- 6 pump strainer with foot valve
- 7 bucket pump with motor
- 8 vacuum pump with motor
- 9 rapid-filter plant
- 10 filter gravel (filter bed)
- 11 filter bottom, a grid
- 12 filtered water outlet
- 13 purified water tank
- 14 suction pipe with pump strainer and foot valve
- 15 main pump with motor
- 16 delivery pipe
- 17 compressed-air vessel (air vessel, air receiver)
- 18 water tower

- 19 riser pipe (riser)
- 20 overflow pipe
- 21 outlet
- 22 distribution main
- 23 excess water conduit

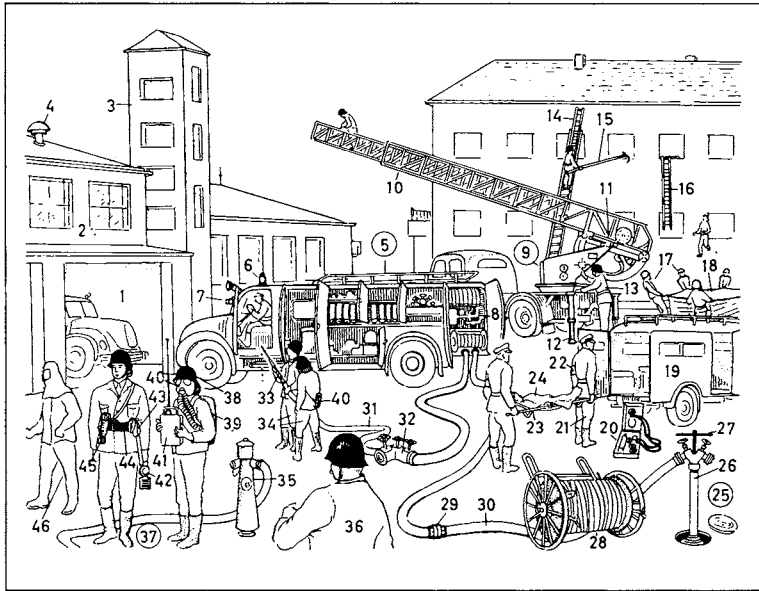


24-39 tapping a spring

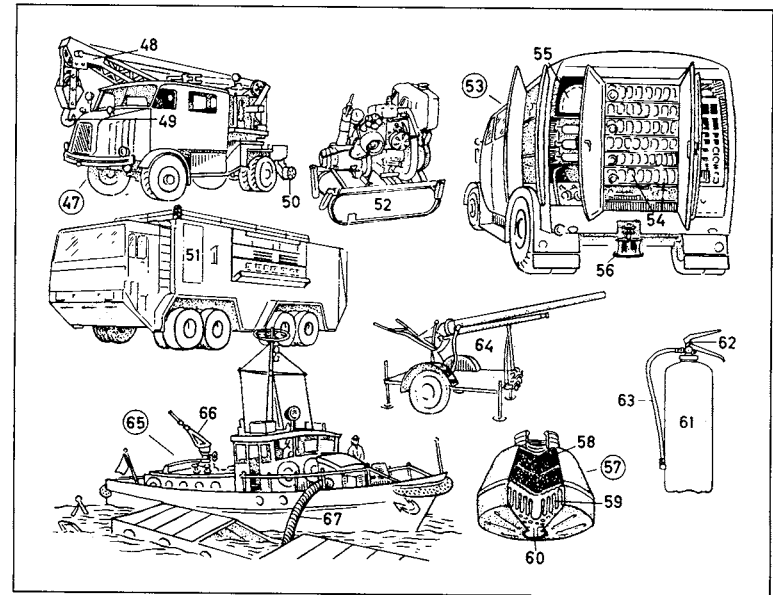
- 24 chamber
 - 25 chamber wall
 - 26 manhole
 - 27 ventilator
 - 28 step irons
 - 29 filling (backing)
 - 30 outlet control valve
 - 31 outlet valve
 - 32 strainer
 - 33 overflow pipe (overflow)
 - 34 bottom outlet
 - 35 earthenware pipes
 - 36 impervious stratum (impermeable stratum)
 - 37 rough rubble
 - 38 water-bearing stratum (aquifer, aquafer)
 - 39 loam seal (clay seal)
- 40-52 individual water supply**
- 40 well
 - 41 suction pipe
 - 42 water table (groundwater level)
 - 43 pump strainer with foot valve

44 centrifugal pump

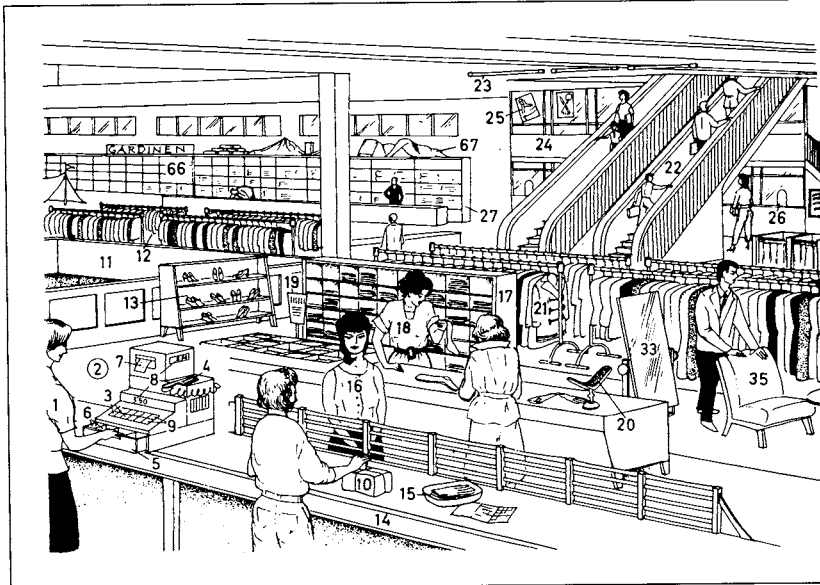
- 45 motor
 - 46 motor safety switch
 - 47 manostat, a switching device
 - 48 stop valve
 - 49 delivery pipe
 - 50 compressed-air vessel (air vessel, air receiver)
 - 51 manhole
 - 52 delivery pipe
- 53 water meter, a rotary meter**
- 54 water inlet
 - 55 counter gear assembly
 - 56 cover with glass lid
 - 57 water outlet
- 58 water-meter dial**
- 59 counters
- 60 driven well (tube well, drive well)**
- 61 pile shoe
 - 62 filter
 - 63 water table (groundwater level)
 - 64 well casing
 - 65 well head
 - 66 hand pump



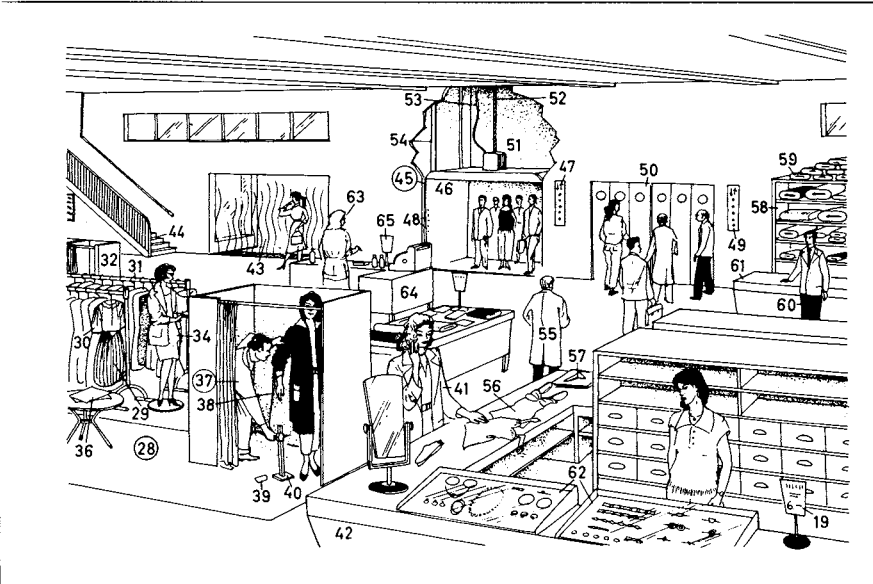
- 1-46 fire service drill (extinguishing, climbing, ladder, and rescue work)
 1-3 fire station
 1 engine and appliance room
 2 firemen's (Am. firefighters') quarters
 3 drill tower
 4 fire alarm (fire alarm siren, fire siren)
 5 fire engine
 6 blue light (warning light), a flashing light (Am. flashlight)
 7 horn (hooter)
 8 motor pump, a centrifugal pump
 9 motor turntable ladder (Am. aerial ladder)
 10 ladder, a steel ladder (automatic extending ladder)
 11 ladder mechanism
 12 jack
 13 ladder operator
 14 extension ladder
 15 ceiling hook (Am. preventer)
 16 hook ladder (Am. pompier ladder)
 17 holding squad
 18 jumping sheet (sheet)
 19 ambulance car (ambulance)
 20 resuscitator (resuscitation equipment), oxygen apparatus
 21 ambulance attendant (ambulance man)
 22 armband (armlet, brassard)
 23 stretcher
 24 unconscious man
 25 pit hydrant
 26 standpipe (riser, vertical pipe)
 27 hydrant key
 28 hose reel (Am. hose cart, hose wagon, hose truck, hose carriage)
 29 hose coupling
 30 soft suction hose
 31 delivery hose
 32 dividing breeching
 33 branch
 34 branchmen
 35 surface hydrant (fire plug)



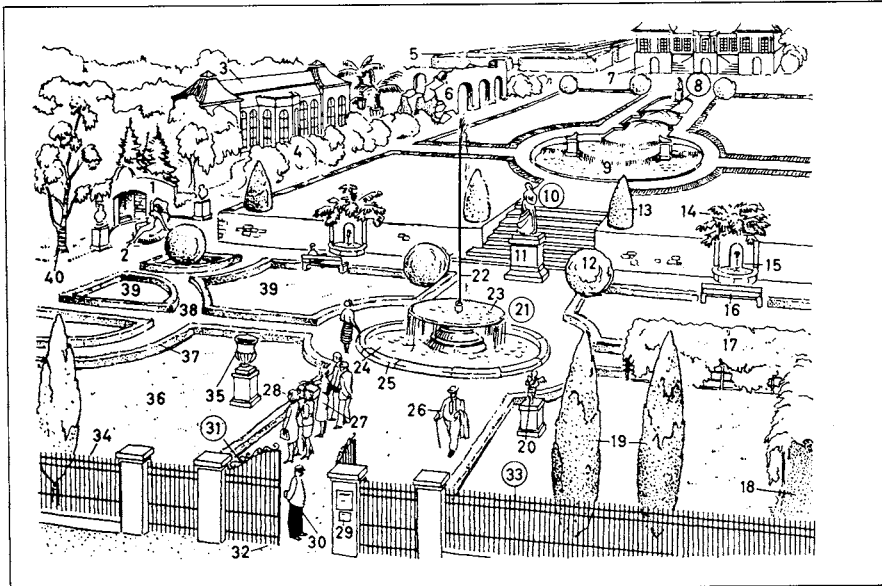
- 36 officer in charge
 37 fireman (Am. firefighter)
 38 helmet (fireman's helmet, Am. fire hat) with neck guard (neck flap)
 39 breathing apparatus
 40 face mask
 41 walkie-talkie set
 42 hand lamp
 43 small axe (Am. ax, pompier hatchet)
 44 hoot belt
 45 beltline
 46 protective clothing of asbestos (asbestos suit) or of metallic fabric
 47 breakdown lorry (Am. crane truck, wrecking crane)
 48 lifting crane
 49 load hook (draw hook, Am. drag hook)
 50 support roll
 51 water tender
 52 portable pump
 53 hose layer
 54 flaked lengths of hose
 55 cable drum
 56 winch
 57 face mask filter
 58 active carbon (activated carbon, activated charcoal)
 59 dust filter
 60 air inlet
 61 portable fire extinguisher
 62 operating valve
 63 hose with spray nozzle
 64 foam-making branch (Am. foam gun)
 65 fireboat
 66 monitor (water cannon)
 67 suction hose



- | | |
|---|--|
| 1 cashier | 19 price card |
| 2 electronic cash register (till) (scanner till) | 20 glove stand |
| 3 number keys | 21 duffle coat, a three-quarter length coat |
| 4 scanner (light pen) | 22 escalator |
| 5 cash drawer (till) | 23 fluorescent light (fluorescent lamp) |
| 6 compartments (money compartments) for coins and notes (<i>Am.</i> bills) | 24 office (<i>e.g.</i> customer accounts office, travel agency, manager's office) |
| 7 receipt (sales check) | 25 poster (advertisement) |
| 8 amount [to be paid] | 26 theatre (<i>Am.</i> theater) and concert booking office (advance booking office) |
| 9 function keys | 27 shelves |
| 10 goods | 28 ladies' wear department |
| 11 glass-roofed well | 29 ready-made dress (ready-to-wear dress, <i>coll.</i> off-the-peg dress) |
| 12 men's wear department | 30 dust cover |
| 13 showcase (display case, indoor display window) | 31 clothes rack |
| 14 wrapping counter | 32 changing booth (fitting booth) |
| 15 tray for purchases | 33 mirror |
| 16 customer | 34 dummy |
| 17 hosiery department | 35 seat (chair) |
| 18 shop assistant (<i>Am.</i> salesgirl, saleslady) | |

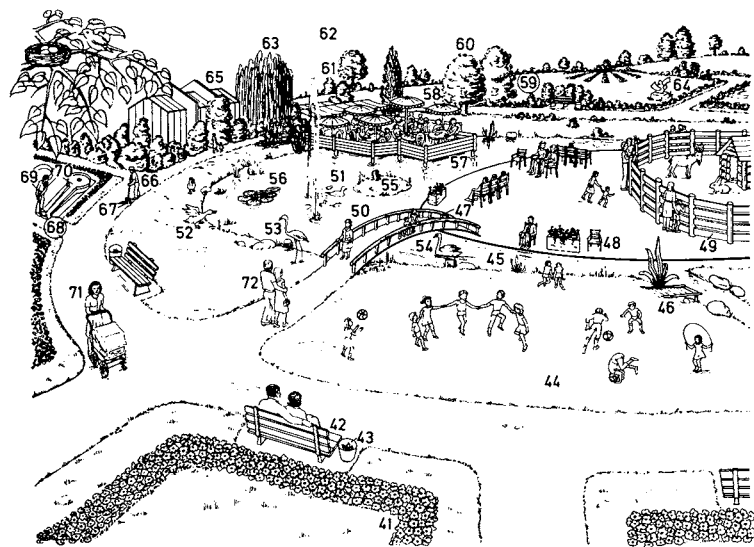


- | | |
|---|---|
| 36 fashion journal (fashion magazine) | 57 linen goods (table linen and bed linen) |
| 37 tailor marking a hemline | 58 fabric department |
| 38 measuring tape (tape measure) | 59 roll of fabric (roll of material, roll of cloth) |
| 39 tailor's chalk (<i>French</i> chalk) | 60 head of department (department manager) |
| 40 hemline marker | 61 sales counter |
| 41 loose-fitting coat | 62 jewellery (<i>Am.</i> jewelry) department |
| 42 sales counter | 63 customer assistant |
| 43 warm-air curtain | 64 special counter (extra counter) |
| 44 stairs | 65 placard advertising special offers |
| 45 lift (<i>Am.</i> elevator) | 66 curtain department |
| 46 lift cage (lift car, <i>Am.</i> elevator car) | 67 display on top of the shelves |
| 47 direction indicators | |
| 48 controls (lift controls, <i>Am.</i> elevator controls) | |
| 49 floor indicator | |
| 50 sliding door | |
| 51 lift shaft (<i>Am.</i> elevator shaft) | |
| 52 bearer cable | |
| 53 control cable | |
| 54 guide rail | |
| 55 customer | |
| 56 hosiery | |



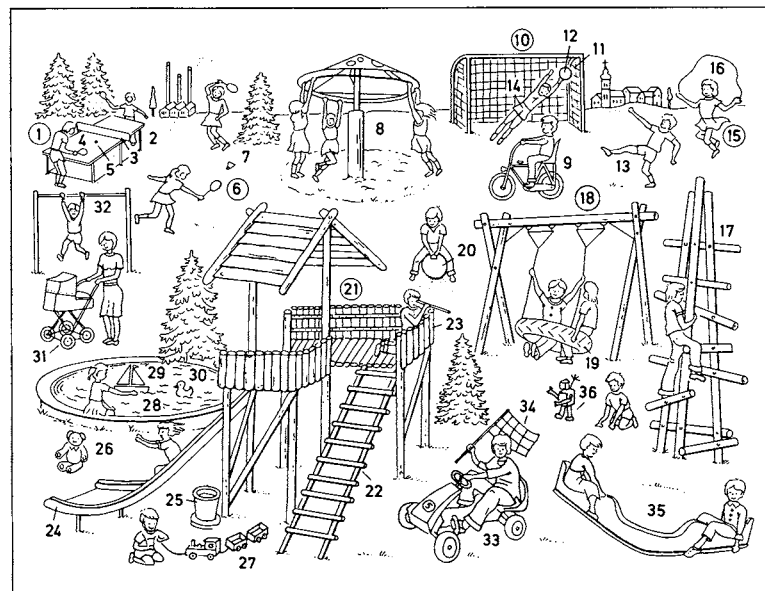
1-40 formal garden (French Baroque garden), palace gardens

- 1 grotto (cavern)
- 2 stone statue, a river nymph
- 3 orangery (orangerie)
- 4 boschage (boskage)
- 5 maze (labyrinth of paths and hedges)
- 6 open-air theatre (*Am.* theater)
- 7 Baroque palace
- 8 fountains
- 9 cascade (broken artificial waterfall, artificial falls)
- 10 statue, a monument
- 11 pedestal
- 12 globe-shaped tree
- 13 conical tree
- 14 ornamental shrub
- 15 wall fountain
- 16 park bench
- 17 pergola (bower, arbour, *Am.* arbor)
- 18 gravel path (gravel walk)
- 19 pyramid tree (pyramidal tree)
- 20 cupid (cherub, amoretto, amorino)
- 21 fountain
- 22 fountain
- 23 overflow basin
- 24 basin
- 25 kerb (curb)
- 26 man out for a walk
- 27 tourist guide
- 28 group of tourists
- 29 park by-laws (bye-laws)
- 30 park keeper
- 31 garden gates made of wrought iron
- 32 park entrance
- 33 park railings
- 34 railing (bar)
- 35 stone vase
- 36 lawn
- 37 border, a trimmed (clipped) hedge
- 38 park path
- 39 parterre
- 40 birch (birch tree)

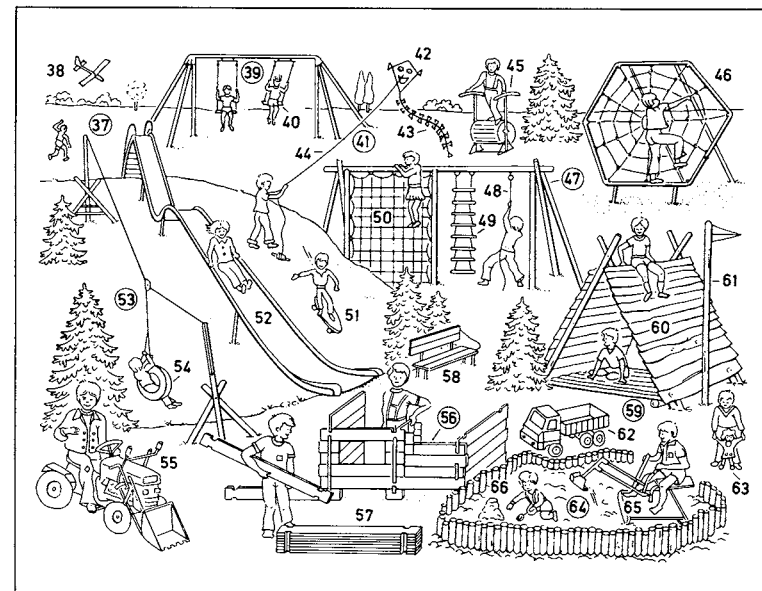


41-72 landscaped park (*jardin anglais*)

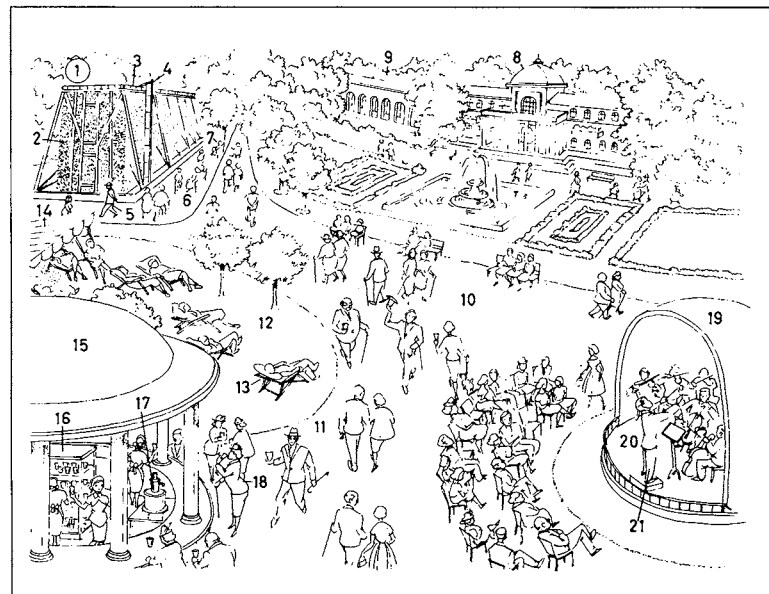
- 41 flower bed
- 42 park bench (*garden seat*)
- 43 litter bin (*Am.* trash bin)
- 44 play area
- 45 stream
- 46 jetty
- 47 bridge
- 48 park chair
- 49 animal enclosure
- 50 pond
- 51-54 waterfowl
- 51 wild duck with young
- 52 goose
- 53 flamingo
- 54 swan
- 55 island
- 56 water lily
- 57 open-air café
- 58 sunshade
- 59 park tree (tree)
- 60 treetop (crown)
- 61 group of trees
- 62 fountain
- 63 weeping willow
- 64 modern sculpture
- 65 hothouse
- 66 park gardener
- 67 broom
- 68 minigolf course
- 69 minigolf player
- 70 minigolf hole
- 71 mother with pram (*baby carriage*)
- 72 courting couple (*young couple*)



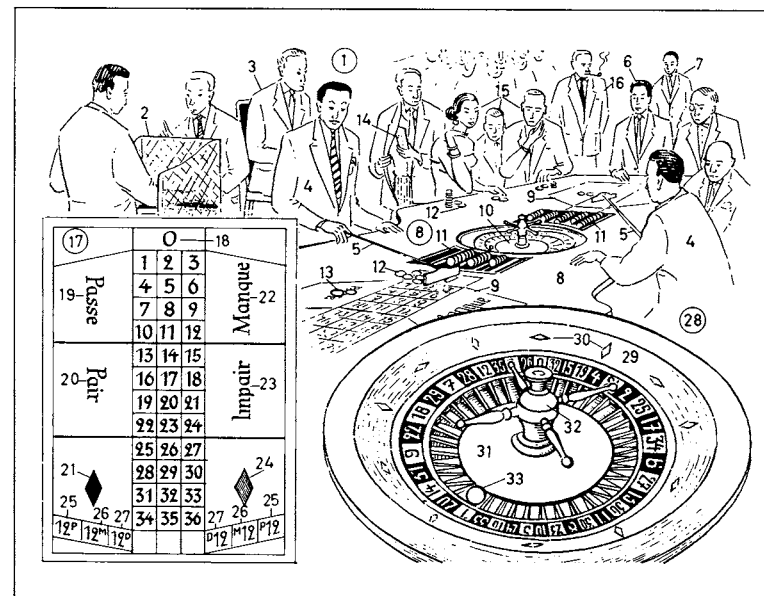
- | | |
|---|---|
| 1 table tennis | 21 adventure playground |
| 2 table | 22 log ladder |
| 3 table tennis net | 23 lookout platform |
| 4 table tennis racket (raquet) (table tennis bat) | 24 slide |
| 5 table tennis ball | 25 litter bin (<i>Am.</i> trash bin) |
| 6 badminton game (shuttlecock game) | 26 teddy bear |
| 7 shuttlecock | 27 wooden train set |
| 8 maypole swing | 28 paddling pool |
| 9 child's bicycle | 29 sailing boat (<i>yacht, Am.</i> sailboat) |
| 10 football (soccer) | 30 toy duck |
| 11 goal (goalposts) | 31 pram (baby carriage) |
| 12 football | 32 high bar (bar) |
| 13 goal scorer | 33 go-cart (soap box) |
| 14 goalkeeper | 34 starter's flag |
| 15 skipping (<i>Am.</i> jumping rope) | 35 seesaw |
| 16 skipping rope (<i>Am.</i> skip rope, jump rope, jumping rope) | 36 robot |
| 17 climbing tower | |
| 18 rubber tyre (<i>Am.</i> tire) swing | |
| 19 lorry tyre (<i>Am.</i> truck tire) | |
| 20 bouncing ball | |



- | | |
|---|--------------------------------------|
| 37 flying model aeroplanes (<i>Am.</i> air-planes) | 60 climbing roof |
| 38 model aeroplane (<i>Am.</i> airplane) | 61 flagpole (flagstaff) |
| 39 double swing | 62 toy lorry (<i>Am.</i> toy truck) |
| 40 swing seat | 63 walking doll |
| 41 flying kites | 64 sandpit (<i>Am.</i> sandbox) |
| 42 kite | 65 toy excavator (toy digger) |
| 43 tail of the kite | 66 sandhill |
| 44 kite string | |
| 45 revolving drum | |
| 46 spider's web | |
| 47 climbing frame | |
| 48 climbing rope | |
| 49 rope ladder | |
| 50 climbing net | |
| 51 skateboard | |
| 52 up-and-down slide | |
| 53 rubber tyre (<i>Am.</i> tire) cable car | |
| 54 rubber tyre (<i>Am.</i> tire) | |
| 55 tractor, a pedal car | |
| 56 den | |
| 57 presawn boards | |
| 58 seat (bench) | |
| 59 Indian hut | |



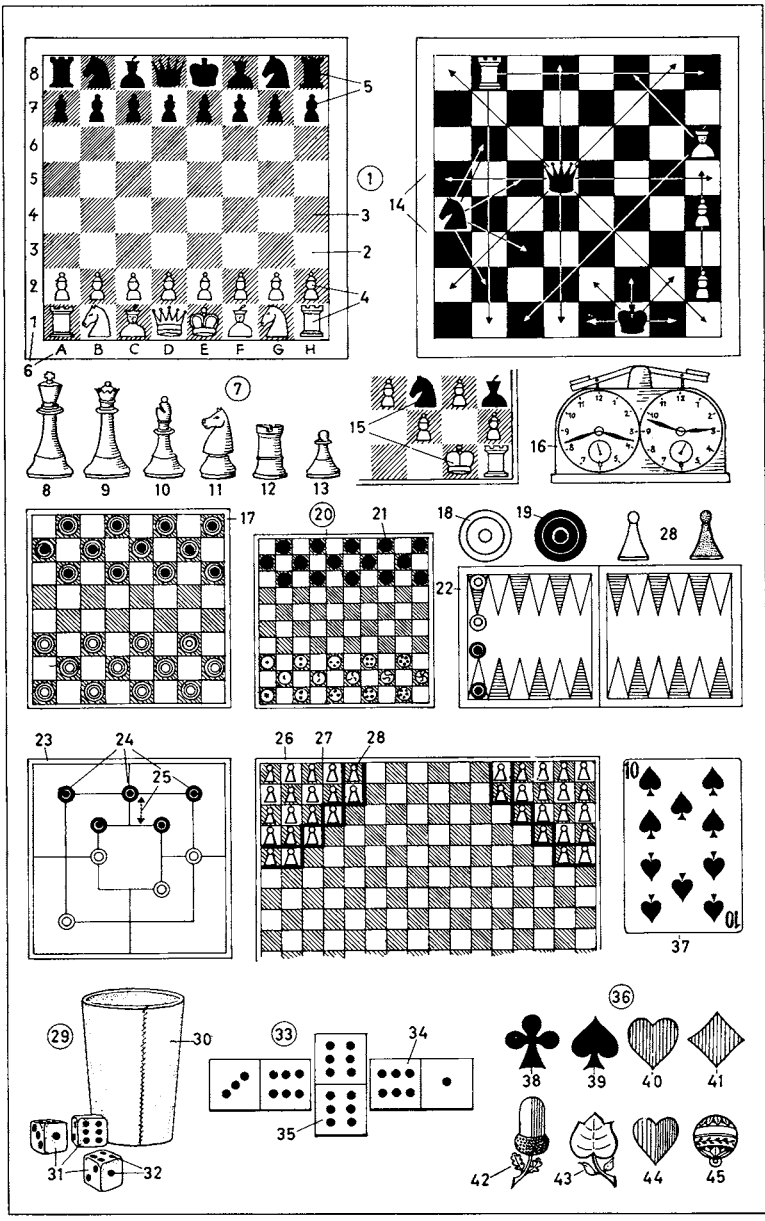
- | | |
|---|-----------------------------------|
| 1-21 spa gardens | 15 pump room |
| 1-7 salina (salt works) | 16 rack for glasses |
| 1 thorn house (graduation house) | 17 tap |
| 2 thorns (brushwood) | 18 patient taking the waters |
| 3 brine channels | 19 bandstand |
| 4 brine pipe from the pumping station | 20 spa orchestra giving a concert |
| 5 salt works attendant | 21 conductor |
| 6, 7 inhalational therapy | |
| 6 open-air inhalatorium (outdoor inhalatorium) | |
| 7 patient inhaling (taking an inhalation) | |
| 8 hydropathic (pump room) with kursaal (casino) | |
| 9 colonnade | |
| 10 spa promenade | |
| 11 avenue leading to the mineral spring | |
| 12-14 rest cure | |
| 12 sunbathing area (lawn) | |
| 13 deck-chair | |
| 14 sun canopy | |

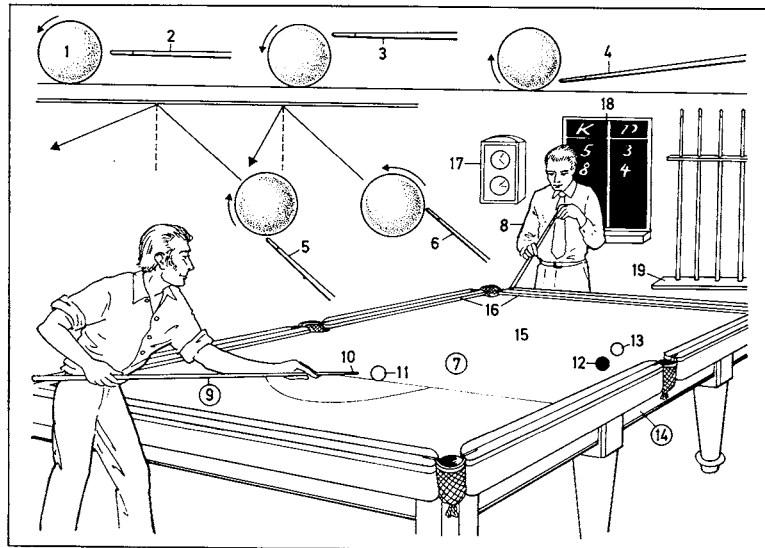


- | | |
|--|---|
| 1-33 roulette, a game of chance (gambling game) | 20 pair (even numbers) |
| 1 gaming room in the casino (in the gambling casino) | 21 noir (black) |
| 2 cash desk | 22 manque (low) [numbers 1 to 18] |
| 3 tourneur (dealer) | 23 impair [odd numbers] |
| 4 croupier | 24 rouge (red) |
| 5 rake | 25 douze premier (first dozen) [numbers 1 to 12] |
| 6 head croupier | 26 douze milieu (second dozen) [numbers 13 to 24] |
| 7 hall manager | 27 douze dernier (third dozen) [numbers 25 to 36] |
| 8 roulette table (gaming table, gambling table) | 28 roulette wheel (roulette) |
| 9 roulette layout | 29 roulette bowl |
| 10 roulette wheel | 30 fret (separator) |
| 11 bank | 31 revolving disc (disk) showing numbers 0 to 36 |
| 12 chip (check, plaque) | 32 spin |
| 13 stake | 33 roulette ball |
| 14 membership card | |
| 15 roulette player | |
| 16 private detective (house detective) | |
| 17 roulette layout | |
| 18 zero (nought, 0) | |
| 19 passe (high) [numbers 19 to 36] | |

- 1-16 chess, a game involving combinations of moves, a positional game
- 1 chessboard (board) with the men (chessmen) in position
- 2 white square (chessboard square)
- 3 black square
- 4 white chessmen (white pieces) [white = W]
- 5 black chessmen (black pieces) [black = B]
- 6 letters and numbers for designating chess squares in the notation of chess moves and chess problems
- 7 individual chessmen (individual pieces)
- 8 king
- 9 queen
- 10 bishop
- 11 knight
- 12 rook (castle)
- 13 pawn
- 14 moves of the individual pieces
- 15 mate (checkmate), a mate by knight
- 16 chess clock, a double clock for chess matches (chess championships)
- 17-19 draughts (*Am.* checkers)
- 17 draughtboard (*Am.* checkerboard)
- 18 white draughtsman (*Am.* checker, checkerman); *also:* piece for backgammon and nine men's morris
- 19 black draughtsman (*Am.* checker, checkerman)
- 20 salta
- 21 salta piece
- 22 backgammon board
- 23-25 nine men's morris
- 23 nine men's morris board
- 24 mill
- 25 double mill
- 26-28 halma
- 26 halma board
- 27 yard (camp, corner)
- 28 halma pieces (halma men) of vari-

- ous colours (*Am.* colors)
- 29 dice (dicing)
- 30 dice cup
- 31 dice
- 32 spots (pips)
- 33 dominoes
- 34 domino (tile)
- 35 double
- 36 playing cards
- 37 playing card (card)
- 38-45 suits
- 38 clubs
- 39 spades
- 40 hearts
- 41 diamonds
- 42-45 German suits
- 42 acorns
- 43 leaves
- 44 hearts
- 45 bells (hawkbells)

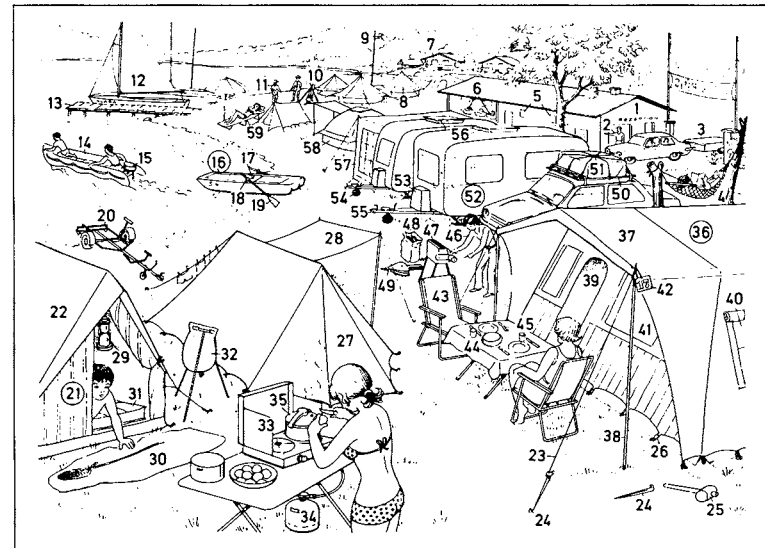


**1-19 billiards**

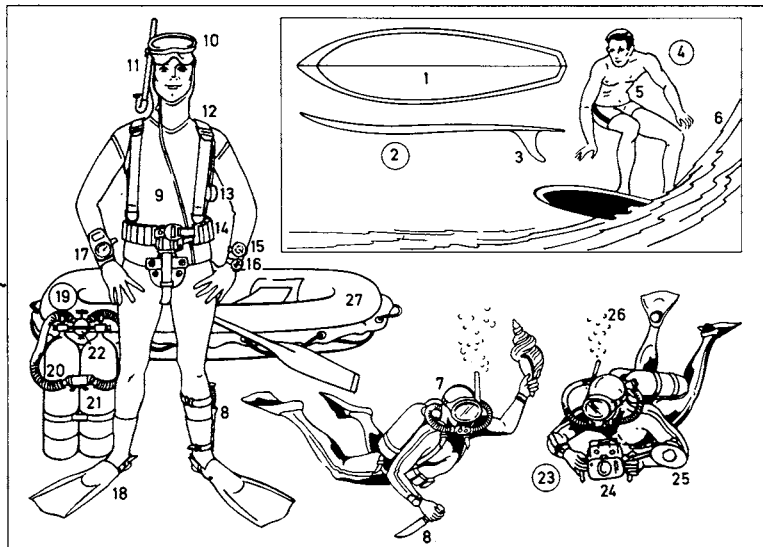
- 1 billiard ball, an ivory or plastic ball
- 2-6 billiard strokes
- 2 plain stroke (hitting the cue ball dead centre, *Am.* center)
- 3 top stroke [promotes extra forward rotation]
- 4 screw-back [imparts a direct recoil or backward motion]
- 5 side (running side, *Am.* English)
- 6 check side
- 7-19 billiard room (*Am.* billiard parlor, billiard saloon, poolroom)
- 7 billiards (English billiards); *sim.*: pool, carrom (carrom billiards)
- 8 billiard player
- 9 cue (billiard cue)
- 10 leather cue tip
- 11 white cue ball
- 12 red object ball
- 13 white spot ball (white dot ball)
- 14 billiard table
- 15 table bed with green cloth (billiard cloth, green baize covering)

16 cushions (rubber cushions, cushioned ledge)

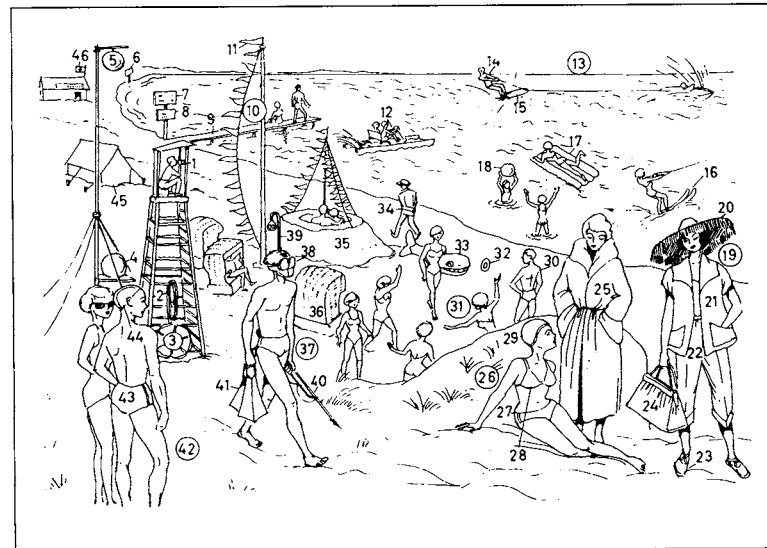
- 17 billiard clock, a timer
- 18 billiard marker
- 19 cue rack

**1-59 camp site (camping site, *Am.* campground)**

- | | | |
|--|---|------------------------------------|
| 1 reception (office) | 17 thwart (oarsman's bench) | 36 frame tent |
| 2 site warden | 18 rowlock (oarlock) | 37 awning |
| 3 folding trailer (collapsible caravan, collapsible trailer) | 19 oar | 38 tent pole |
| 4 hammock | 20 boat trailer (boat carriage) | 39 wheelarch doorway |
| 5, 6 washing and toilet facilities | 21 ridge tent | 40 mesh ventilator |
| 5 toilets and washrooms (<i>Am.</i> lavatories) | 22 flysheet | 41 transparent window |
| 6 washbasins and sinks | 23 guy line (guy) | 42 pitch number |
| 7 bungalow (chalet) | 24 tent peg (peg) | 43 folding camp chair |
| 8-11 scout camp | 25 mallet | 44 folding camp table |
| 8 bell tent | 26 groundsheet ring | 45 camping eating utensils |
| 9 pennon | 27 bell end | 46 camper |
| 10 camp fire | 28 erected awning | 47 charcoal grill (barbecue) |
| 11 boy scout (scout) | 29 storm lantern, a paraffin lamp | 48 charcoal |
| 12 sailing boat (yacht, <i>Am.</i> sailboat) | 30 sleeping bag | 49 bellows |
| 13 landing stage (jetty) | 31 air mattress (inflatable air-bed) | 50 roof rack |
| 14 inflatable boat (inflatable dinghy) | 32 water carrier (drinking water carrier) | 51 roof lashing |
| 15 outboard motor (outboard) | 33 double-burner gas cooker for propane gas or butane gas | 52 caravan (<i>Am.</i> trailer) |
| 16 trimaran | 34 propane or butane gas bottle | 53 box for gas bottle |
| | 35 pressure cooker | 54 jockey wheel |
| | | 55 drawbar coupling |
| | | 56 roof ventilator |
| | | 57 caravan awning |
| | | 58 inflatable igloo tent |
| | | 59 camp bed (<i>Am.</i> camp cot) |

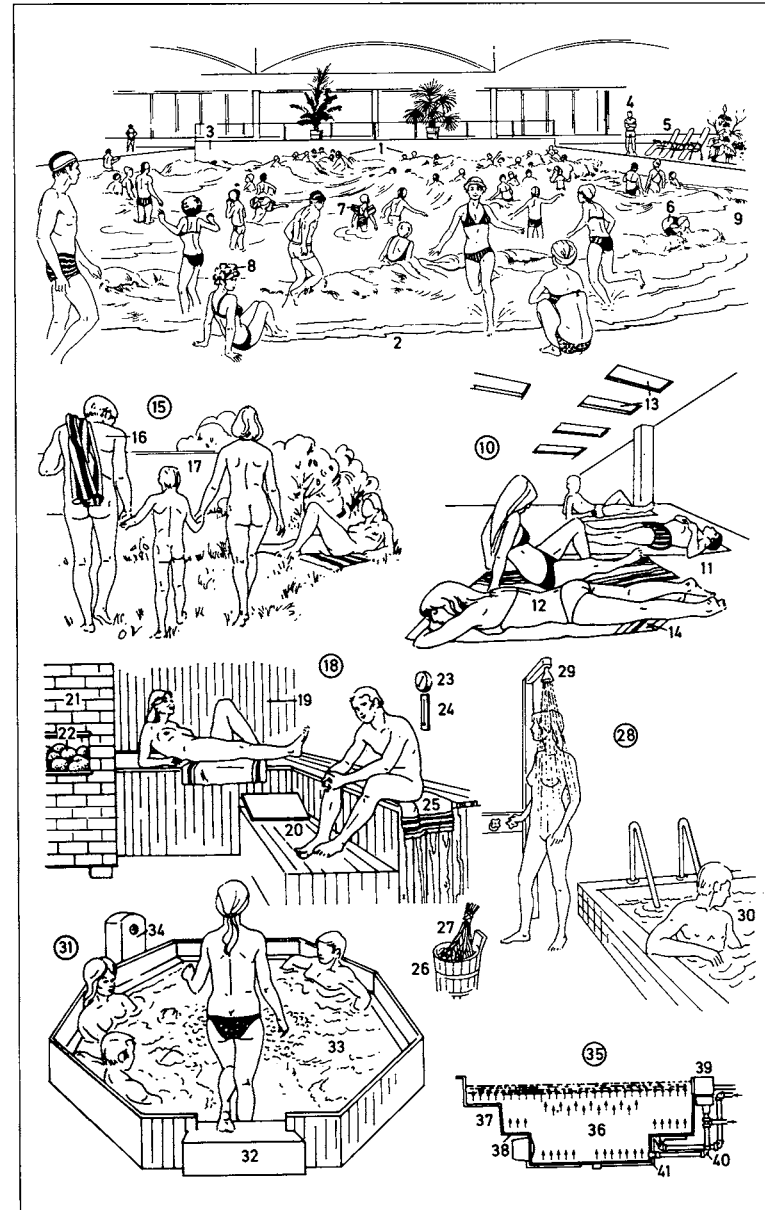


- 1-6 surf riding (surfing)
 1 plan view of surfboard
 2 section of surfboard
 3 skeg (stabilizing fin)
 4 big wave riding
 5 surfboarder (surfer)
 6 breaker
 7-27 skin diving (underwater swimming)
 7 skin diver (underwater swimmer)
 8-22 underwater swimming set
 8 knife
 9 neoprene wetsuit
 10 diving mask (face mask, mask), a pressure-equalizing mask
 11 snorkel (schnorkel)
 12 harness of diving apparatus
 13 compressed-air pressure gauge (Am. gage)
 14 weight belt
 15 depth gauge (Am. gage)
 16 waterproof watch for checking duration of dive
 17 decometer for measuring stages of ascent
 18 fin (flipper)
 19 diving apparatus (aqualung, scuba) with two cylinders (bottles)
 20 two-tube demand regulator
 21 compressed-air cylinder (compressed-air bottle)
 22 on/off valve
 23 underwater photography
 24 underwater camera
 25 underwater flashlight
 26 exhaust bubbles
 27 inflatable boat (inflatable dinghy)



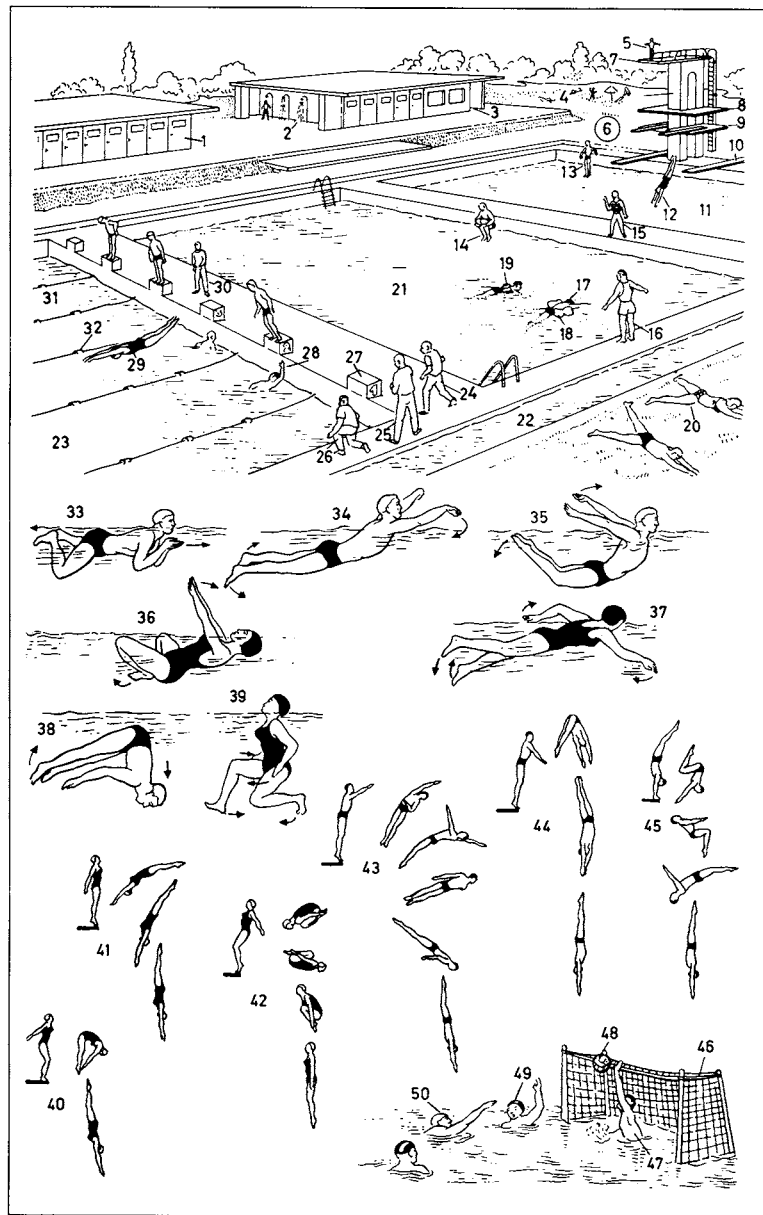
- 1 lifeguard (lifeguard)
 2 lifeline
 3 lifebelt (lifebuoy)
 4 storm signal
 5 time ball
 6 warning sign
 7 tide table, a notice board showing times of low tide and high tide
 8 board showing water and air temperature
 9 bathing platform
 10 pennon staff
 11 pennon
 12 paddle boat (pedal boat)
 13 surf riding (surfing) behind motorboat
 14 surfboarder (surfer)
 15 surfboard
 16 water ski
 17 inflatable beach mattress
 18 beach bag
 19-23 beachwear
 19 beach suit
 20 beach hat
 21 beach jacket
 22 beach trousers
 23 beach shoe (bathing shoe)
 24 beach bag
 25 bathing gown (bathing wrap)
 26 bikini (ladies' two-piece bathing suit)
 27 bikini bottom
 28 bikini top
 29 bathing cap (swimming cap)
 30 bath
 31 deck tennis (quoits)
 32 rubber ring (quoit)
 33 inflatable rubber animal
 34 beach attendant
 35 sandcastle
 36 roofed wicker beach chair
 37 underwater swimmer
 38 diving goggles
 39 snorkel (schnorkel)
 40 hand harpoon (fish spear, fish lance)
 41 fin (flipper) for diving (for underwater swimming)
 42 bathing suit (swimsuit)
 43 bathing trunks (swimming trunks)
 44 bathing cap (swimming cap)
 45 beach tent, a ridge tent
 46 lifeguard station

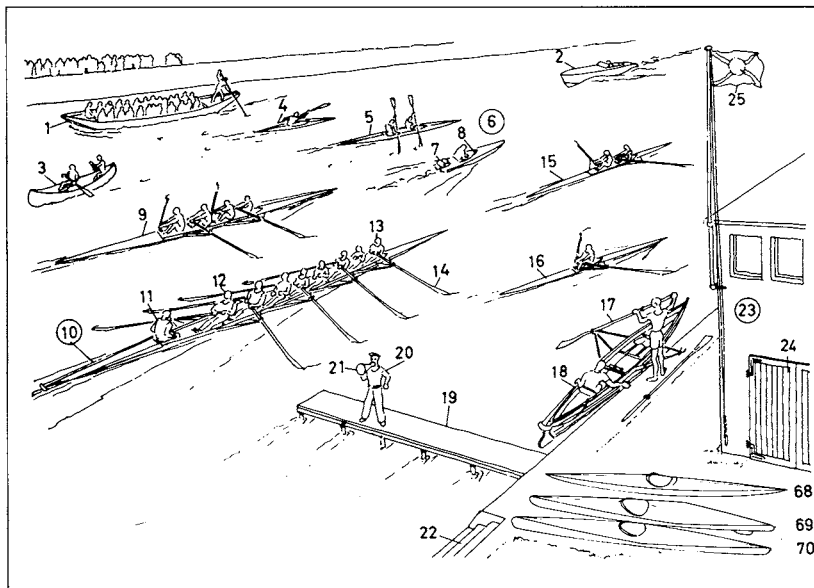
- 1-9 wave pool, an indoor pool
- 1 artificial waves
- 2 beach area
- 3 edge of the pool
- 4 swimming pool attendant (pool attendant, swimming bath attendant)
- 5 sun bed
- 6 lifebelt
- 7 water wings
- 8 bathing cap
- 9 channel to outdoor mineral bath
- 10 solarium
- 11 sunbathing area
- 12 sunbather
- 13 sun ray lamp
- 14 bathing towel
- 15 nudist sunbathing area
- 16 nudist (naturist)
- 17 screen (fence)
- 18 mixed sauna
- 19 wood panelling (Am. paneling)
- 20 tiered benches
- 21 sauna stove
- 22 stones
- 23 hygrometer
- 24 thermometer
- 25 towel
- 26 water tub for moistening the stones in the stove
- 27 birch rods (birches) for beating the skin
- 28 cooling room for cooling off (cooling down) after the sauna
- 29 lukewarm shower
- 30 cold bath
- 31 hot whirlpool (underwater massage bath)
- 32 step into the bath
- 33 massage bath
- 34 jet blower
- 35 hot whirlpool [diagram]
- 36 section of the bath
- 37 step
- 38 circular seat
- 39 water extractor
- 40 water jet pipe
- 41 air jet pipe



- 1-32 **swimming pool**, an open-air swimming pool
- 1 changing cubicle
 - 2 shower (shower bath)
 - 3 changing room
 - 4 sunbathing area
 - 5-10 **diving boards** (diving apparatus)
 - 5 diver (highboard diver)
 - 6 diving platform
 - 7 ten-metre (*Am.* ten-meter) platform
 - 8 five-metre (*Am.* five-meter) platform
 - 9 three-metre (*Am.* three-meter) springboard (diving board)
 - 10 one-metre (*Am.* one-meter) springboard
 - 11 diving pool
 - 12 straight header
 - 13 feet-first jump
 - 14 tuck jump (hunch jump)
 - 15 swimming pool attendant (pool attendant, swimming bath attendant)
 - 16-20 **swimming instruction**
 - 16 swimming instructor (swimming teacher)
 - 17 learner-swimmer
 - 18 float; *sim.*: water wings
 - 19 swimming belt (cork jacket)
 - 20 land drill
 - 21 non-swimmers' pool
 - 22 footbath
 - 23 swimmers' pool
 - 24-32 **freestyle relay race**
 - 24 timekeeper (lane timekeeper)
 - 25 placing judge
 - 26 turning judge
 - 27 starting block (starting place)
 - 28 competitor touching the finishing line
 - 29 starting dive (racing dive)
 - 30 starter
 - 31 swimming lane
 - 32 rope with cork floats
 - 33-39 **swimming strokes**
 - 33 breaststroke

- 34 butterfly stroke
- 35 dolphin butterfly stroke
- 36 side stroke
- 37 crawl stroke (crawl); *sim.*: trudgen stroke (trudgen, double overarm stroke)
- 38 diving (underwater swimming)
- 39 treading water
- 40-45 **diving** (acrobatic diving, fancy diving, competitive diving, highboard diving)
- 40 standing take-off pike dive
- 41 one-half twist isander (reverse dive)
- 42 backward somersault (double backward somersault)
- 43 running take-off twist dive
- 44 screw dive
- 45 armstand dive (handstand dive)
- 46-50 **water polo**
- 46 goal
- 47 goalkeeper
- 48 water polo ball
- 49 back
- 50 forward





1-18 taking up positions for the regatta

1 punt, a pleasure boat

2 motorboat

3 Canadian canoe

4 kayak (Alaskan canoe, slalom canoe), a canoe

5 tandem kayak

6 outboard motorboat (outboard speedboat, outboard)

7 outboard motor (outboard)

8 cockpit

9-16 racing boats (sportsboats)

9-15 shells (rowing boats, *Am.* rowboats)

9 coxless four, a carvel-built boat

10 eight (eight-oared racing shell)

11 cox

12 stroke, an oarsman

13 bow ('number one')

14 oar

15 coxless pair

16 single sculler (single skuller, racing sculler, racing skuller, skiff)

17 scull (skull)

18 coxed single, a clinker-built single

19 jetty (landing stage)

20 rowing coach

21 megaphone

22 quayside steps

23 clubhouse (club)

24 boathouse

25 club's flag

26-33 four-oared gig, a touring boat

26 oar

27 cox's seat

28 thwart (seat)

29 rowlock (oarlock)

30 gunwale (gunnel)

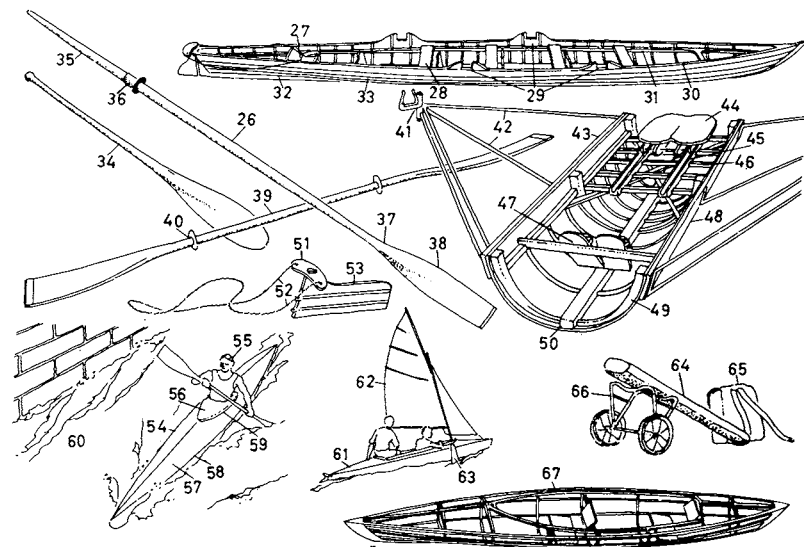
31 rising

32 keel

33 skin (shell, outer skin) [clinker-built]

34 single-bladed paddle (paddle)

35-38 oar (scull, skull)



35 grip

36 leather sheath

37 shaft (neck)

38 blade

39 double-bladed paddle (double-ended paddle)

40 drip ring

41-50 sliding seat

41 rowlock (oarlock)

42 outrigger

43 saxboard

44 sliding seat

45 runner

46 strut

47 stretcher

48 skin (shell, outer skin)

49 frame (rib)

50 keelson (keelson)

51-53 rudder (steering rudder)

51 yoke

52 lines (steering lines)

53 blade (rudder blade, rudder)

54-66 folding boats (foldboats, canoes)

54 one-man kayak

55 canoeist

56 spraydeck

57 deck

58 rubber-covered canvas hull

59 cockpit coaming (coaming)

60 channel for rafts alongside weir

61 two-seater folding kayak, a touring kayak

62 sail of folding kayak

63 leeboard

64 bag for the rods

65 rucksack

66 boat trailer (boat carriage)

67 frame of folding kayak

68-70 kayaks

68 Eskimo kayak

69 wild-water racing kayak

70 touring kayak

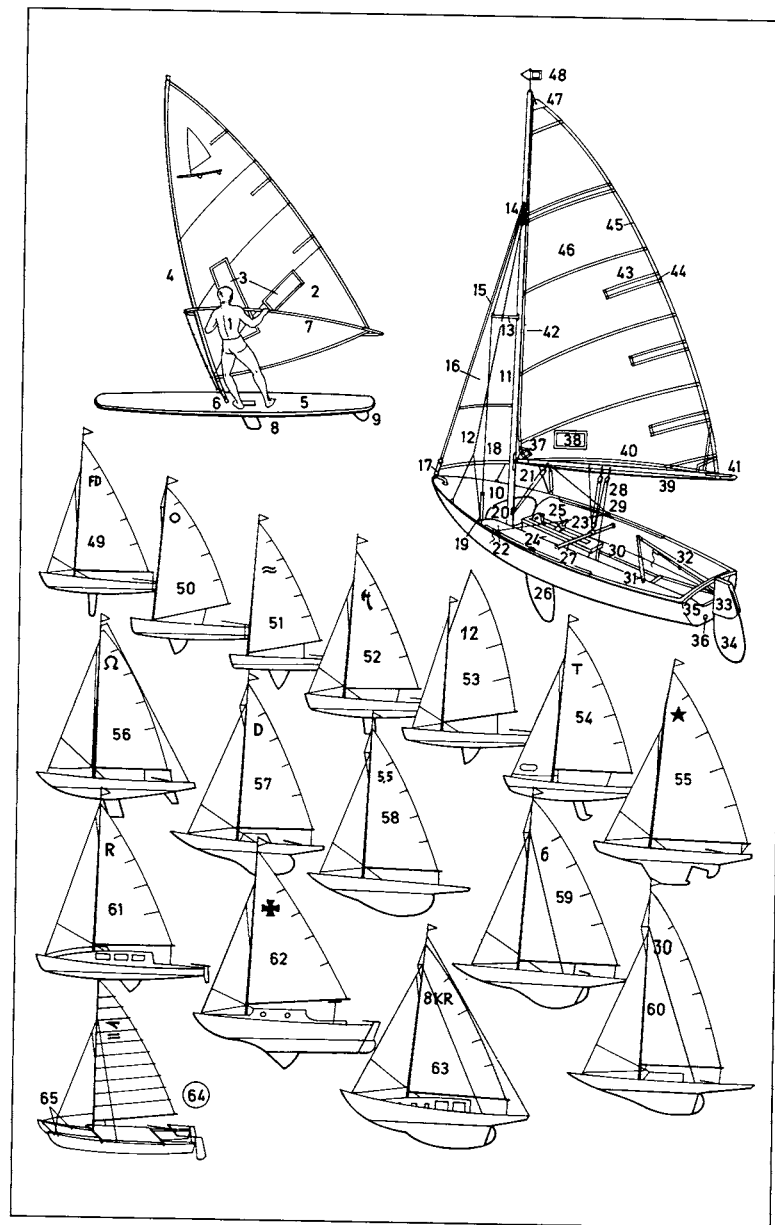
1-9 windsurfing

- 1 windsurfer
- 2 sail
- 3 transparent window (window)
- 4 mast
- 5 surfboard
- 6 universal joint (movable bearing) for adjusting the angle of the mast and for steering
- 7 wishbone
- 8 retractable centreboard (*Am.* centerboard)
- 9 rudder

10-48 yacht (sailing boat, *Am.* sailboat)

- 10 foredeck
- 11 mast
- 12 trapeze
- 13 crosstrees (spreader)
- 14 hound
- 15 forestay
- 16 jib (Genoa jib)
- 17 jib downhaul
- 18 side stay (shroud)
- 19 lanyard (*also:* turnbuckle)
- 20 foot of the mast
- 21 kicking strap (vang)
- 22 jam cleat
- 23 foresheet (jib sheet)
- 24 centreboard (*Am.* centerboard) case
- 25 bitt
- 26 centreboard (*Am.* centerboard)
- 27 traveller (*Am.* traveler)
- 28 mainsheet
- 29 foresheet fairlead (jib fairlead)
- 30 toestraps (hiking straps)
- 31 tiller extension (hiking stick)
- 32 tiller
- 33 rudderhead (rudder stock)
- 34 rudder blade (rudder)
- 35 transom
- 36 drain plug
- 37 gooseneck
- 38 window
- 39 boom
- 40 foot

- 41 clew
- 42 luff (leading edge)
- 43 leech pocket (batten cleat, batten pocket)
- 44 batten
- 45 leech (trailing edge)
- 46 mainsail
- 47 headboard
- 48 racing flag (burgee)
- 49-65 yacht classes
- 49 Flying Dutchman
- 50 O-Joller
- 51 Finn dinghy (Finn)
- 52 pirate
- 53 12.00 m² sharpie
- 54 tempest
- 55 star
- 56 soling
- 57 dragon
- 58 5.5-metre (*Am.* 5.5-meter) class
- 59 6-metre (*Am.* 6-meter) R-class
- 60 30.00 m² cruising yacht (coastal cruiser)
- 61 30.00 m² dinghy cruiser
- 62 25.00 m² one-design keelboat
- 63 KR-class
- 64 catamaran
- 65 twin hull



1-13 points of sailing and wind directions

- 1 sailing downwind (running)
- 2 mainsail
- 3 jib
- 4 sails set goose-winged
- 5 centre (*Am.* center) line
- 6 wind direction
- 7 yacht stopped head to wind
- 8 sail, shivering
- 9 luffing
- 10 sailing close-hauled
- 11 sailing with wind abeam
- 12 sailing with free wind
- 13 quartering wind (quarter wind)

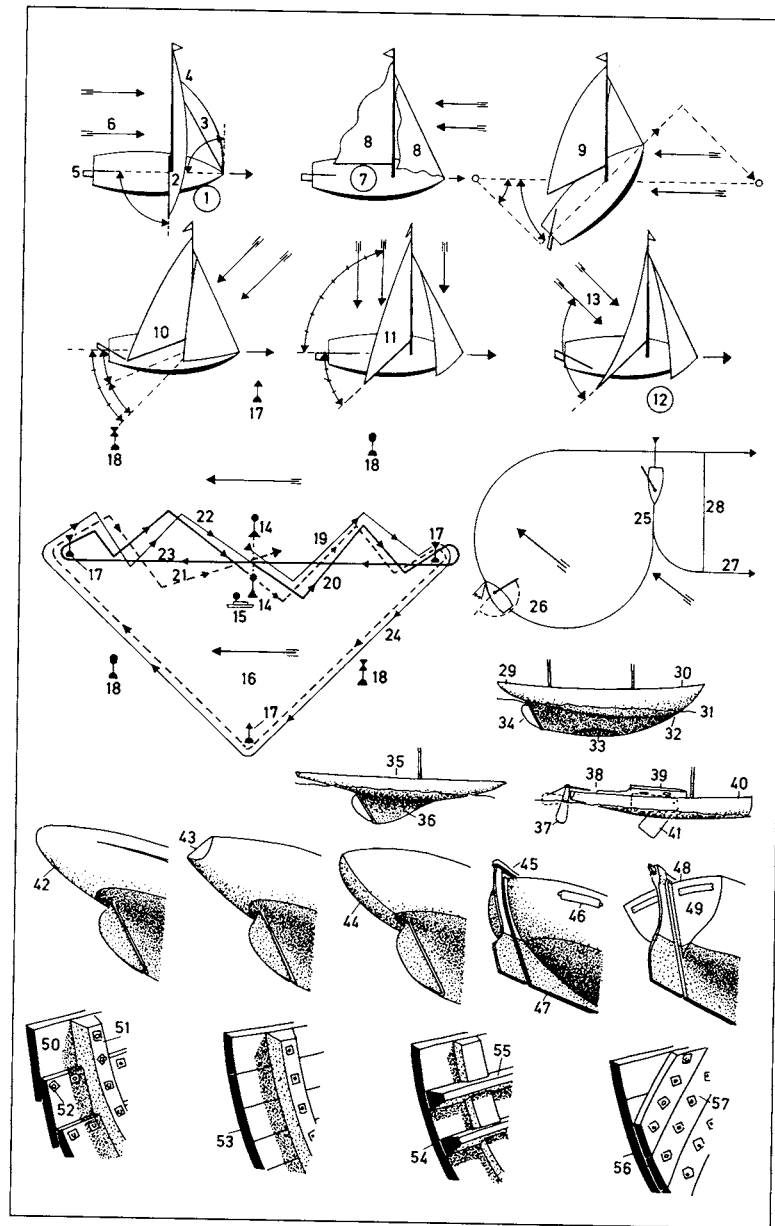
14-24 regatta course

- 14 starting and finishing buoy
 - 15 committee boat
 - 16 triangular course (regatta course)
 - 17 buoy (mark) to be rounded
 - 18 buoy to be passed
 - 19 first leg
 - 20 second leg
 - 21 third leg
 - 22 windward leg
 - 23 downwind leg
 - 24 reaching leg
- 25-28 tacking**
- 25 tack
 - 26 gybing (jibing)
 - 27 going about
 - 28 loss of distance during the gybe (jibe)

29-41 types of yacht hull

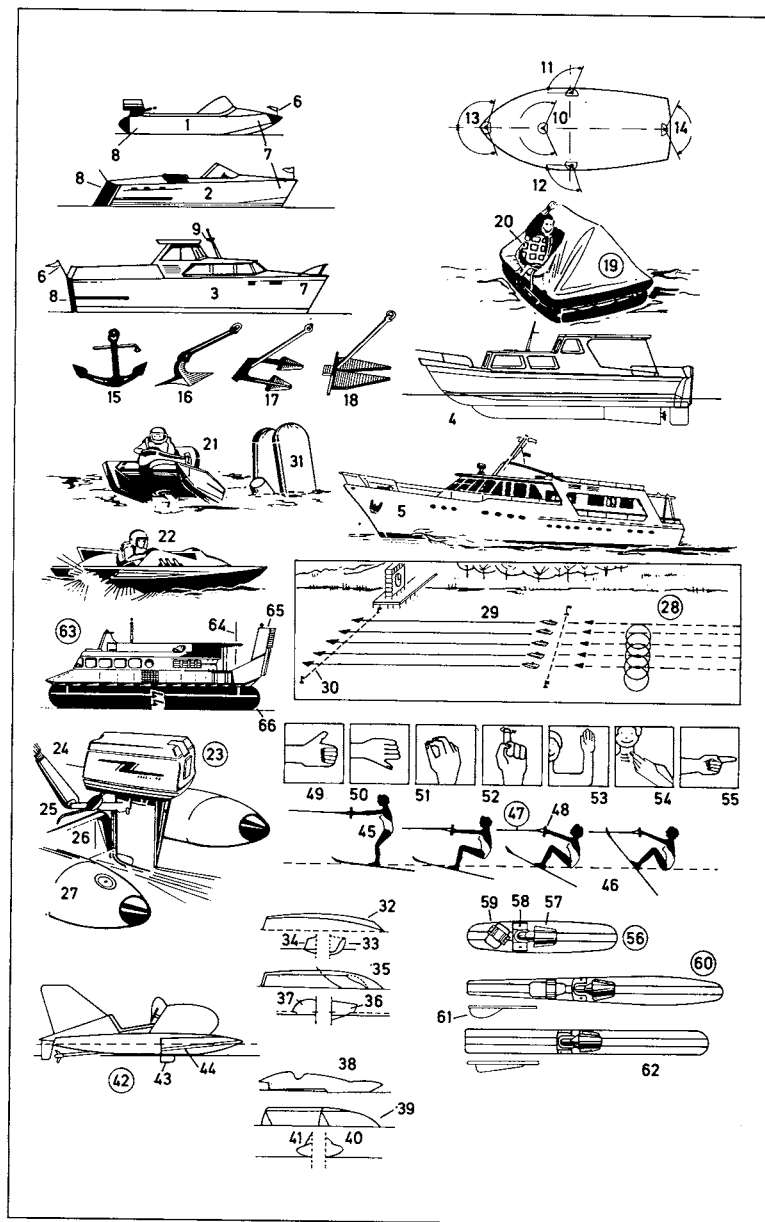
- 29-34 cruiser keelboat
- 29 stern
- 30 spoon bow
- 31 waterline
- 32 keel (ballast keel)
- 33 ballast
- 34 rudder
- 35 racing keelboat
- 36 lead keel
- 37-41 keel-centreboard (*Am.* center-board) yawl
- 37 retractable rudder
- 38 cockpit

- 39 cabin superstructure (cabin)
 - 40 straight stem
 - 41 retractable centreboard (*Am.* centerboard)
- 42-49 types of yacht stern**
- 42 yacht stern
 - 43 square stern
 - 44 canoe stern
 - 45 cruiser stern
 - 46 name plate
 - 47 deadwood
 - 48 transom stern
 - 49 transom
- 50-57 timber planking**
- 50-52 clinker planking (clench planking)
 - 50 outside strake
 - 51 frame (rib)
 - 52 clenched nail (riveted nail)
 - 53 carvel planking
 - 54 ribband-carvel construction
 - 55 ribband, a stringer
 - 56 diagonal carvel planking
 - 57 inner planking

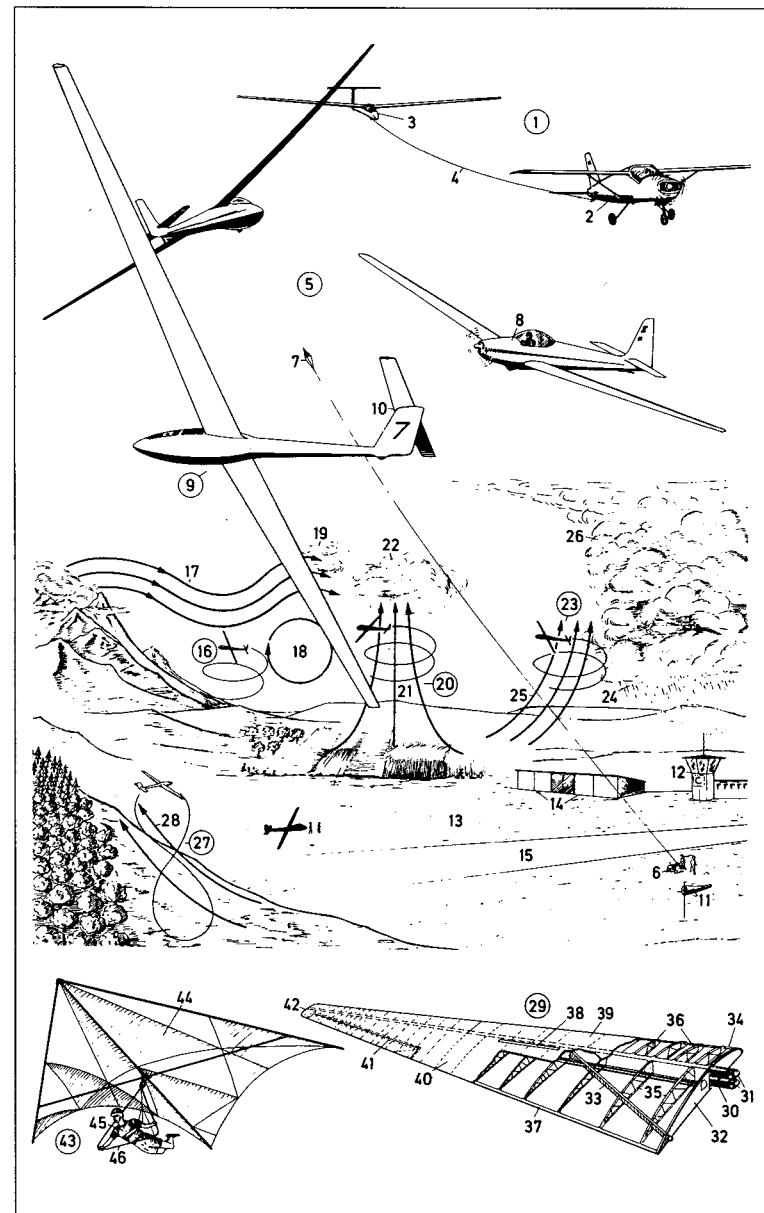


- 1-5 motorboats (powerboats, sportsboats)
- 1 inflatable sportsboat with outboard motor (outboard inflatable)
- 2 Z-drive motorboat (outdrive motorboat)
- 3 cabin cruiser
- 4 motor cruiser
- 5 30-metre (*Am.* 30-meter) ocean-going cruiser
- 6 association flag
- 7 name of craft (*or:* registration number)
- 8 club membership and port of registry (*Am.* home port)
- 9 association flag on the starboard crosstrees
- 10-14 navigation lights of sportsboats in coastal and inshore waters
- 10 white top light
- 11 green starboard sidelight
- 12 red port sidelight
- 13 green and red bow light (combined lantern)
- 14 white stern light
- 15-18 anchors
- 15 stocked anchor (Admiralty anchor), a bower anchor
- 16-18 lightweight anchor
- 16 CQR anchor (plough, *Am.* plow, anchor)
- 17 stockless anchor (patent anchor)
- 18 Danforth anchor
- 19 life raft
- 20 life jacket
- 21-44 powerboat racing
- 21 catamaran with outboard motor
- 22 hydroplane
- 23 racing outboard motor
- 24 tiller
- 25 fuel pipe
- 26 transom
- 27 buoyancy tube
- 28 start and finish
- 29 start
- 30 starting and finishing line
- 31 buoy to be rounded
- 32-37 displacement boats
- 32-34 round-bilge boat

- 32 view of hull bottom
- 33 section of fore ship
- 34 section of aft ship
- 35-37 V-bottom boat (vee-bottom boat)
- 35 view of hull bottom
- 36 section of fore ship
- 37 section of aft ship
- 38-44 planing boats (surface skimmers, skimmers)
- 38-41 stepped hydroplane (stepped skimmer)
- 38 side view
- 39 view of hull bottom
- 40 section of fore ship
- 41 section of aft ship
- 42 three-point hydroplane
- 43 fin
- 44 float
- 45-62 water skiing
- 45 water skier
- 46 deep-water start
- 47 tow line (towing line)
- 48 handle
- 49-55 water-ski signalling (code of hand signals from skier to boat driver)
- 49 signal for 'faster'
- 50 signal for 'slower' ('slow down')
- 51 signal for 'speed OK'
- 52 signal for 'turn'
- 53 signal for 'stop'
- 54 signal for 'cut motor'
- 55 signal for 'return to jetty' ('back to dock')
- 56-62 types of water ski
- 56 trick ski (figure ski), a monoski
- 57, 58 rubber binding
- 57 front foot binding
- 58 heel flap
- 59 strap support for second foot
- 60 slalom ski
- 61 skeg (fixed fin, fin)
- 62 jump ski
- 63 hovercraft (air-cushion vehicle)
- 64 propeller
- 65 rudder
- 66 skirt enclosing air cushion

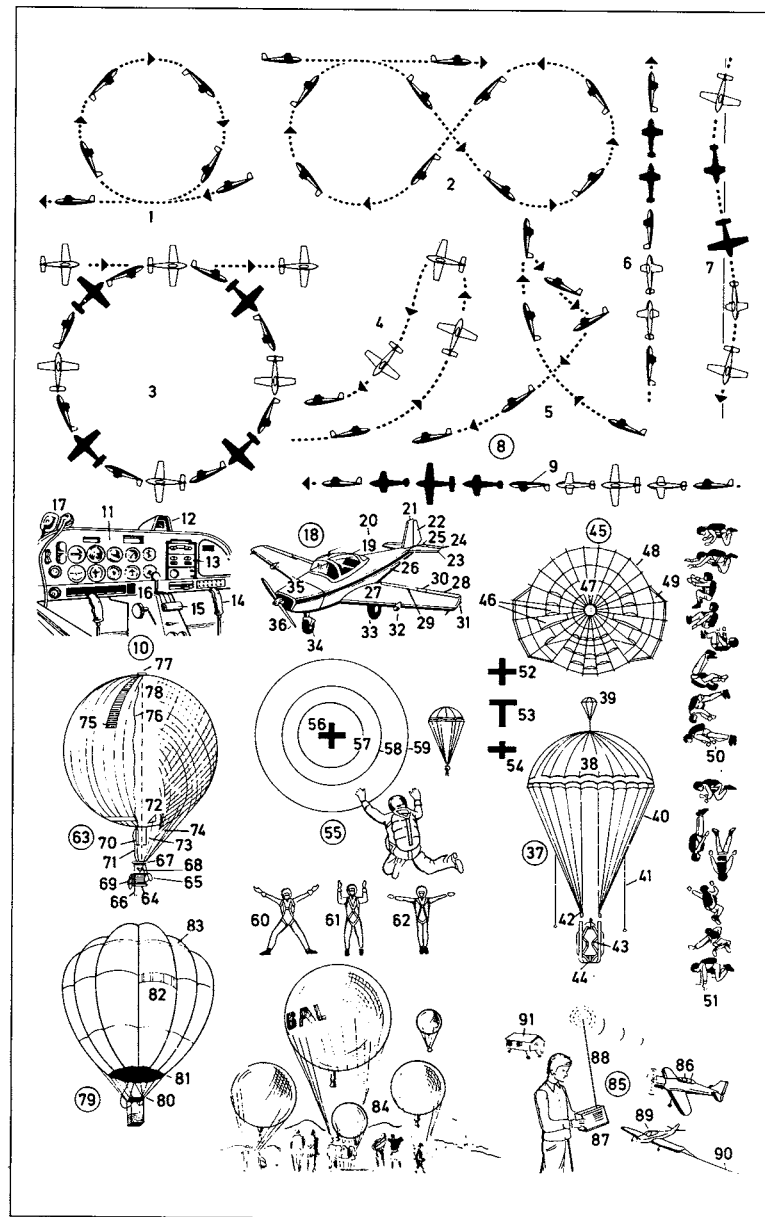


- 1 aeroplane (*Am.* airplane) tow launch (aerotowing)
- 2 tug (towing plane)
- 3 towed glider (towed sailplane)
- 4 tow rope
- 5 winched launch
- 6 motor winch
- 7 cable parachute
- 8 motorized glider (powered glider)
- 9 high-performance glider (high-performance sailplane)
- 10 T-tail (T-tail unit)
- 11 wind sock (wind cone)
- 12 control tower (tower)
- 13 glider field
- 14 hangar
- 15 runway for aeroplanes (*Am.* airplanes)
- 16 wave soaring
- 17 lee waves (waves, wave system)
- 18 rotor
- 19 lenticular clouds (lenticulars)
- 20 thermal soaring
- 21 thermal
- 22 cumulus cloud (heap cloud, cumulus, woolpack cloud)
- 23 storm-front soaring
- 24 storm front
- 25 frontal upcurrent
- 26 cumulonimbus cloud (cumulonimbus)
- 27 slope soaring
- 28 hill upcurrent (orographic lift)
- 29 multispar wing
- 30 main spar, a box spar
- 31 connector fitting
- 32 anchor rib
- 33 diagonal spar
- 34 leading edge
- 35 main rib
- 36 nose rib (false rib)
- 37 trailing edge
- 38 brake flap (spoiler)
- 39 torsional clamp
- 40 covering (skin)
- 41 aileron
- 42 wing tip
- 43 hang gliding
- 44 hang glider
- 45 hang glider pilot
- 46 control frame



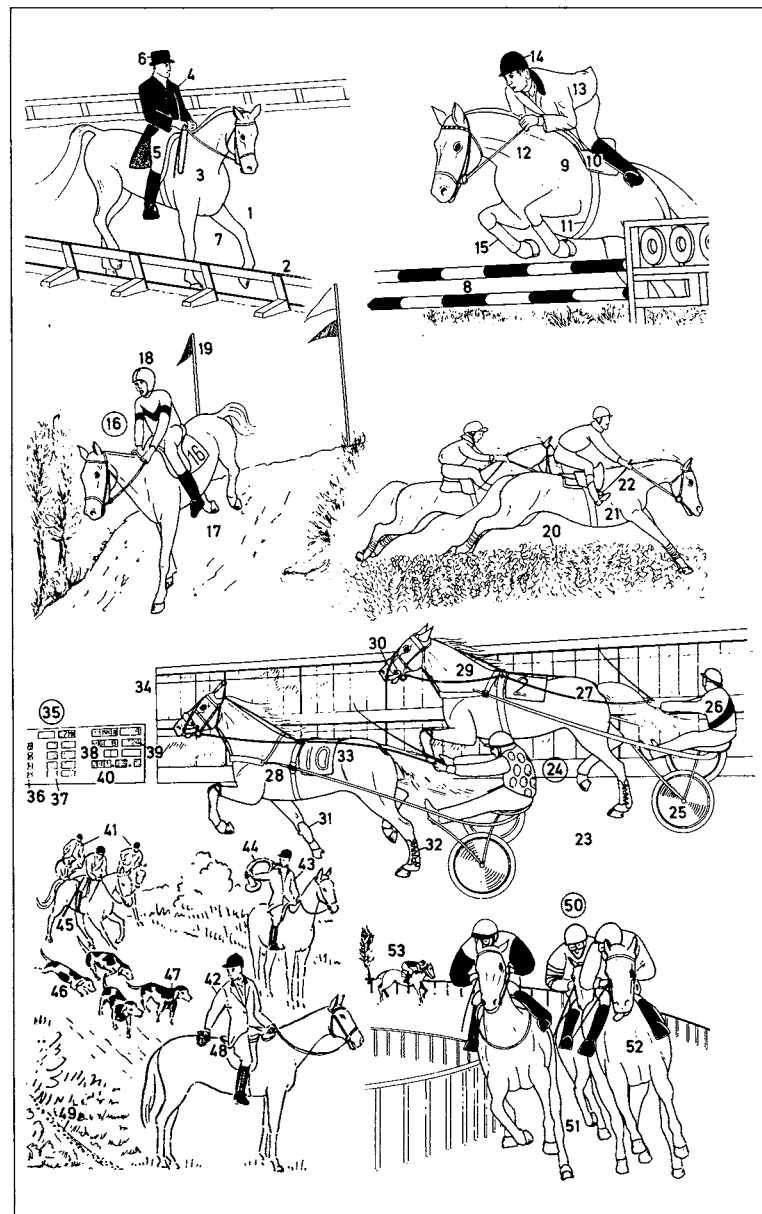
1-9 **aerobatics** (aerobic manoeuvres, *Am.* maneuvers)
 1 loop
 2 horizontal eight
 3 rolling circle
 4 stall turn (hammer head)
 5 tail slide (whip stall)
 6 vertical flick spin
 7 spin
 8 horizontal slow roll
 9 inverted flight (negative flight)
 10 **cockpit**
 11 instrument panel
 12 compass
 13 radio and navigation equipment
 14 control column (control stick)
 15 throttle lever (throttle control)
 16 mixture control
 17 radio equipment
 18 **two-seater plane for racing and aerobatics**
 19 cabin
 20 antenna
 21 vertical stabilizer (vertical fin, tail fin)
 22 rudder
 23 tailplane (horizontal stabilizer)
 24 elevator
 25 trim tab (trimming tab)
 26 fuselage (body)
 27 wing
 28 aileron
 29 landing flap
 30 trim tab (trimming tab)
 31 navigation light (position light) [red]
 32 landing light
 33 main undercarriage unit (main landing gear unit)
 34 nose wheel
 35 engine
 36 propeller (airscrew)
 37-62 **parachuting** (sport parachuting)
 37 parachute
 38 canopy
 39 pilot chute
 40 suspension lines
 41 steering line
 42 riser
 43 harness
 44 pack
 45 system of slots of the sports parachute
 46 turn slots
 47 apex
 48 skirt
 49 stabilizing panel
 50, 51 style jump

50 back loop
 51 spiral
 52-54 ground signals
 52 signal for 'permission to jump' ('conditions are safe') (target cross)
 53 signal for 'parachuting suspended—repeat flight'
 54 signal for 'parachuting suspended—aircraft must land'
 55 accuracy jump
 56 target cross
 57 inner circle [radius 25 m]
 58 middle circle [radius 50 m]
 59 outer circle [radius 100 m]
 60-62 free-fall positions
 60 full spread position
 61 frog position
 62 T position
 63-84 **ballooning**
 63 gas balloon
 64 gondola (balloon basket)
 65 ballast (sandbags)
 66 mooring line
 67 hoop
 68 flight instruments (instruments)
 69 trail rope
 70 mouth (neck)
 71 neck line
 72 emergency rip panel
 73 emergency ripping line
 74 network (net)
 75 rip panel
 76 ripping line
 77 valve
 78 valve line
 79 hot-air balloon
 80 burner platform
 81 mouth
 82 vent
 83 rip panel
 84 balloon take-off
 85-91 **flying model aeroplanes** (*Am.* airplanes)
 85 radio-controlled model flight
 86 remote-controlled free flight model
 87 remote control radio
 88 antenna (transmitting antenna)
 89 control line model
 90 mono-line control system
 91 flying kennel, a K9-class model



1-7 **dressage**
 1 arena (dressage arena)
 2 rail
 3 school horse
 4 dark coat (black coat)
 5 white breeches
 6 top hat
 7 gait (*also*: school figure)
 8-14 **show jumping**
 8 obstacle (fence), an almost-fixed obstacle; *sim.*: gate, gate and rails, palisade, oxer, mound, wall
 9 jumper
 10 jumping saddle
 11 girth
 12 snaffle
 13 red coat (hunting pink, pink; *also*: dark coat)
 14 hunting cap (riding cap)
 15 bandage
 16-19 **three-day event**
 16 endurance competition
 17 cross-country
 18 helmet (*also*: hard hat, hard hunting cap)
 19 course markings
 20-22 **steeplechase**
 20 water jump, a fixed obstacle
 21 jump
 22 riding switch
 23-40 **harness racing** (harness horse racing)
 23 harness racing track (track)
 24 sulky
 25 spoke wheel (spoked wheel) with plastic wheel disc (disk)
 26 driver in trotting silks
 27 rein
 28 trotter
 29 piebald horse
 30 shadow roll
 31 elbow boot
 32 rubber boot
 33 number
 34 glass-covered grandstand with totalizator windows (*tote windows*) inside

35 totalizator (*tote*)
 36 number
 37 odds (price, starting price, price offered)
 38 winners' table
 39 winner's price
 40 time indicator
 41-49 **hunt, a drag hunt; sim.**: fox hunt, paper chase (paper hunt, hare-and-hounds)
 41 field
 42 hunting pink
 43 whipper-in (whip)
 44 hunting horn
 45 Master (Master of foxhounds, MFH)
 46 pack of hounds (pack)
 47 staghound
 48 drag
 49 scented trail (artificial scent)
 50 **horse racing** (racing)
 51 field (racehorses)
 52 favourite (*Am.* favorite)
 53 outsider



1-23 cycle racing

- 1 cycling track (cycle track); *here*: indoor track
 2-7 six-day race
 2 six-day racer, a track racer (track rider) on the track
 3 crash hat
 4 stewards
 5 judge
 6 lap scorer
 7 rider's box (racer's box)
 8-10 road race
 8 road racer, a racing cyclist
 9 racing jersey
 10 water bottle

11-15 motor-paced racing (long-distance racing)

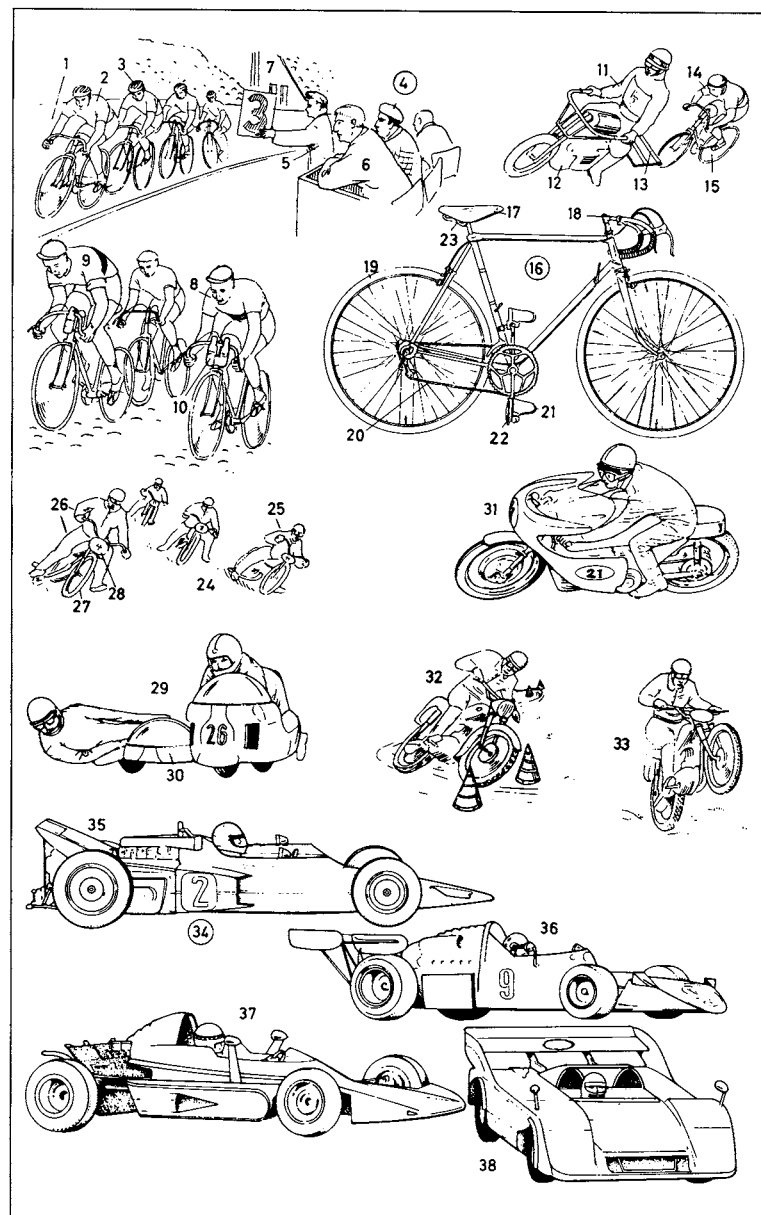
- 11 pacer, a motorcyclist
 12 pacer's motorcycle
 13 roller, a safety device
 14 stayer (motor-paced track rider)
 15 motor-paced cycle, a racing cycle
 16 racing cycle (racing bicycle) for road racing (road race bicycle)
 17 racing saddle, an unsprung saddle
 18 racing handlebars (racing handlebar)
 19 tubular tyre (*Am.* tire) (racing tyre)
 20 chain
 21 toe clip (racing toe clip)
 22 strap
 23 spare tubular tyre (*Am.* tire)

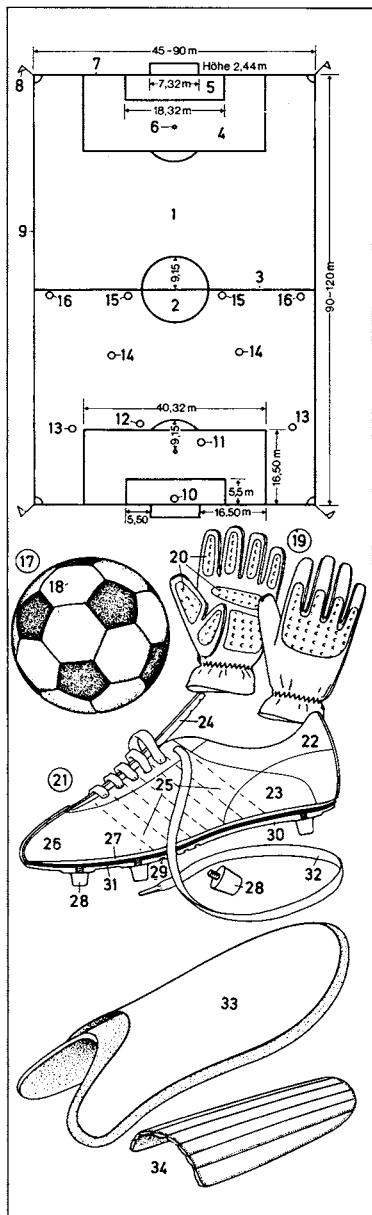
24-38 motorsports

- 24-28 motorcycle racing; *disciplines*:
 grasstrack racing, road racing, sand track racing, cement track racing, speedway [on ash or shale tracks], mountain racing, ice racing (ice speedway), scramble racing, trial, moto cross
 24 sand track
 25 racing motorcyclist (rider)
 26 leather overalls (leathers)
 27 racing motorcycle, a solo machine
 28 number (number plate)
 29 sidecar combination on the bend

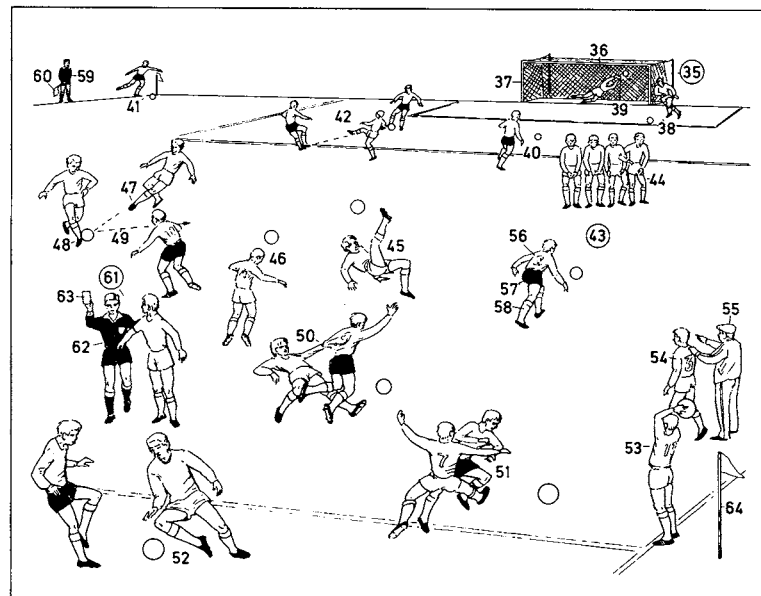
30 sidecar

- 31 streamlined racing motorcycle [500 cc.]
 32 gymkhana, a competition of skill; *here*: motorcyclist performing a jump
 33 cross-country race, a test in performance
 34-38 racing cars
 34 Formula One racing car (a mono posto)
 35 rear spoiler (aerofoil, *Am.* airfoil)
 36 Formula Two racing car
 37 Super-Vee racing car
 38 prototype, a racing car



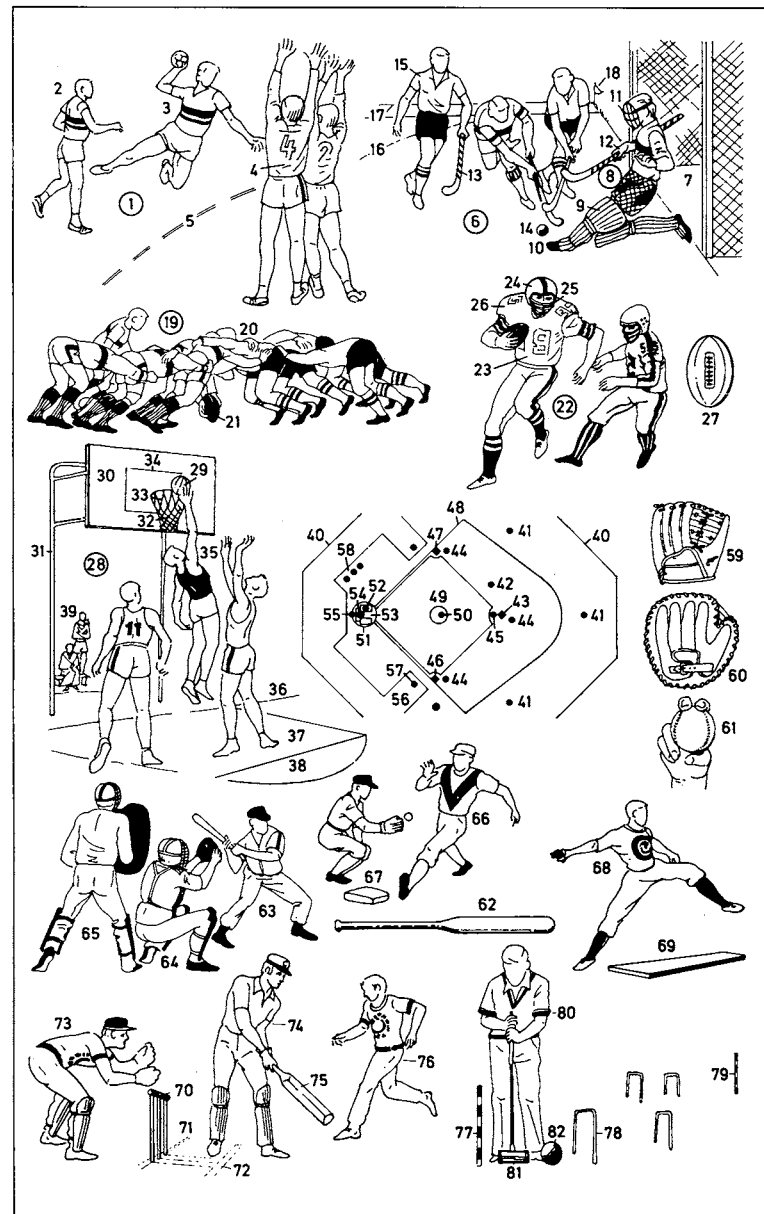


- 1-16 football pitch
- 1 field (park)
- 2 centre (*Am.* center) circle
- 3 half-way line
- 4 penalty area
- 5 goal area
- 6 penalty spot
- 7 goal line (by-line)
- 8 corner flag
- 9 touch line
- 10 goalkeeper
- 11 sweeper (*libero*)
- 12 inside defender
- 13 outside defender
- 14 midfield players
- 15 inside forward (striker)
- 16 outside forward (winger)
- 17 football
- 18 valve
- 19 goalkeeper's gloves
- 20 foam rubber padding
- 21 football boot
- 22 leather lining
- 23 counter
- 24 foam rubber tongue
- 25 bands
- 26 shaft
- 27 insole
- 28 screw-in stud
- 29 groove
- 30 nylon sole
- 31 inner sole
- 32 lace (bootlace)
- 33 football pad with ankle guard
- 34 shin guard
- 35 goal
- 36 crossbar
- 37 post (goalpost)
- 38 goal kick
- 39 save with the fists
- 40 penalty (penalty kick)
- 41 corner (corner kick)
- 42 offside
- 43 free kick
- 44 wall
- 45 bicycle kick (overhead bicycle kick)



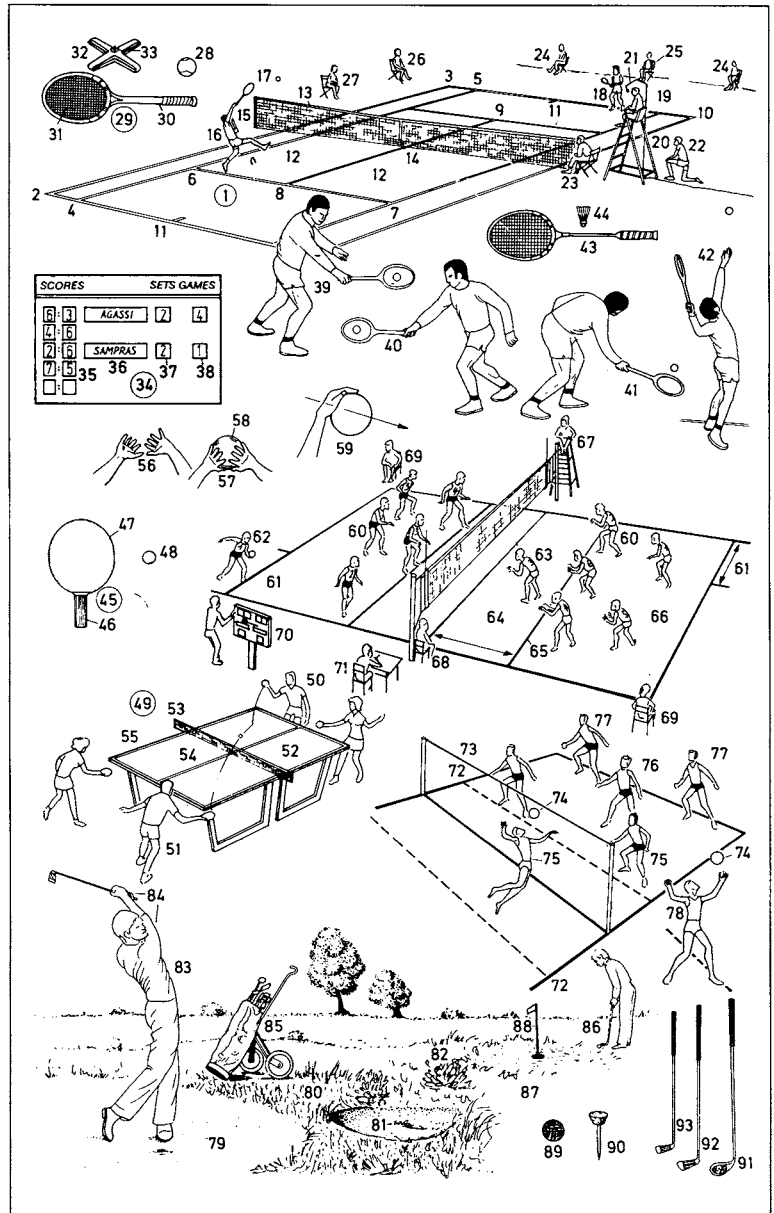
- 46 header
- 47 pass (passing the ball)
- 48 receiving the ball (taking a pass)
- 49 short pass (one-two)
- 50 foul (infringement)
- 51 obstruction
- 52 dribble
- 53 throw-in
- 54 substitute
- 55 coach
- 56 shirt (jersey)
- 57 shorts
- 58 sock (football sock)
- 59 linesman
- 60 linesman's flag
- 61 sending-off
- 62 referee
- 63 red card; *also*: yellow card
- 64 centre (*Am.* center) flag

- 1 handball (indoor handball)
 2 handball player, a field player
 3 attacker, making a jump throw
 4 defender
 5 penalty line
 6 hockey
 7 goal
 8 goalkeeper
 9 pad (shin pad, knee pad)
 10 kicker
 11 face guard
 12 glove
 13 hockey stick
 14 hockey ball
 15 hockey player
 16 striking circle
 17 sideline
 18 corner
 19 rugby (rugby football)
 20 scrum (scrummage)
 21 rugby ball
 22 American football (Am. football)
 23 player (football player) carrying the ball
 24 helmet
 25 face guard
 26 padded jersey
 27 ball (pigskin)
 28 basketball
 29 basketball player shooting
 30 backboard
 31 backboard support
 32 basket
 33 basket ring
 34 target rectangle
 35 basketball player shooting
 36 end line
 37 restricted area
 38 free-throw line
 39 substitute
 40-69 baseball
 40-58 field (park)
 40 spectator barrier
 41 outfielder
 42 short stop
 43 second base
 44 baseman
 45 runner
 46 first base
 47 third base
 48 foul line (base line)
 49 pitcher's mound
 50 pitcher
 51 batter's position
 52 batter
 53 home base (home plate)
 54 catcher
 55 umpire
 56 coach's box
 57 coach
 58 batting order
 59, 60 baseball gloves (baseball mitts)
 59 fielder's glove (fielder's mitt)
 60 catcher's glove (catcher's mitt)
 61 baseball
 62 bat
 63 batter at bat
 64 catcher
 65 umpire
 66 runner
 67 base plate
 68 pitcher
 69 pitcher's mound
 70-76 cricket
 70 wicket with bails
 71 bowling crease
 72 popping crease
 73 wicket keeper of the fielding side
 74 batsman
 75 bat (cricket bat)
 76 fielder (bowler)
 77-82 croquet
 77 winning peg
 78 hoop
 79 corner peg
 80 croquet player
 81 croquet mallet
 82 croquet ball



- 1-42 tennis
- 1 tennis court
- 2-3 doubles sideline (sideline for doubles matches); *kinds of doubles*: men's doubles, women's doubles, mixed doubles
- 3-10 base line
- 4-5 singles sideline (sideline for singles matches); *kinds of singles*: men's singles, women's singles
- 6-7 service line
- 8-9 centre (*Am.* center) line
- 11 centre (*Am.* center) mark
- 12 service court
- 13 net (tennis net)
- 14 net strap
- 15 net post
- 16 tennis player
- 17 smash
- 18 opponent
- 19 umpire
- 20 umpire's chair
- 21 umpire's microphone
- 22 ball boy
- 23 net-cord judge
- 24 foot-fault judge
- 25 centre (*Am.* center) line judge
- 26 base line judge
- 27 service line judge
- 28 tennis ball
- 29 tennis racket (tennis racquet, racket, racquet)
- 30 racket handle (racquet handle)
- 31 strings (striking surface)
- 32 press (racket press, racquet press)
- 33 tightening screw
- 34 scoreboard
- 35 results of sets
- 36 player's name
- 37 number of sets
- 38 state of play
- 39 backhand stroke
- 40 forehand stroke
- 41 volley (forehand volley at normal height)
- 42 service
- 43, 44 badminton
- 43 badminton racket (badminton racquet)
- 44 shuttle (shuttlecock)
- 45-55 table tennis
- 45 table tennis racket (racquet) (table tennis bat)
- 46 racket (racquet) handle (bat handle)
- 47 blade covering
- 48 table tennis ball

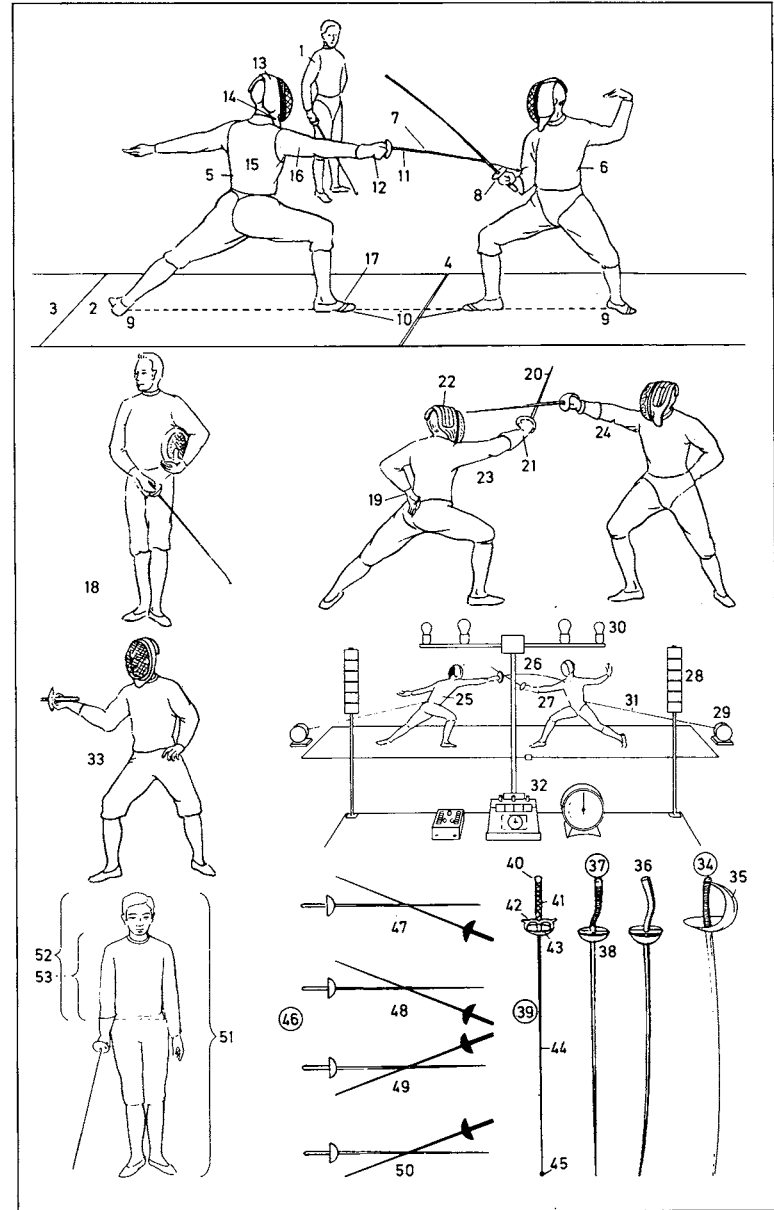
- 49 table tennis players; *here*: mixed doubles
- 50 receiver
- 51 server
- 52 table tennis table
- 53 table tennis net
- 54 centre (*Am.* center) line
- 55 sideline
- 56-71 volleyball
- 56, 57 correct placing of the hands
- 58 volleyball
- 59 serving the volleyball
- 60 blocker
- 61 service area
- 62 server
- 63 front-line player
- 64 attack area
- 65 attack line
- 66 defence (*Am.* defense) area
- 67 referee
- 68 umpire
- 69 linesman
- 70 scoreboard
- 71 scorer
- 72-78 faustball
- 72 base line
- 73 tape
- 74 faustball
- 75 forward
- 76 centre (*Am.* center)
- 77 back
- 78 hammer blow
- 79-93 golf
- 79-82 course (holes)
- 79 teeing ground
- 80 rough
- 81 bunker (*Am.* sand trap)
- 82 green (putting green)
- 83 golfer, driving
- 84 follow-through
- 85 golf trolley
- 86 putting (holing out)
- 87 hole
- 88 pin (flagstick)
- 89 golf ball
- 90 tee
- 91 wood, a driver; *sim.*: brassie (brassy, brassey)
- 92 iron
- 93 putter



294 Fencing

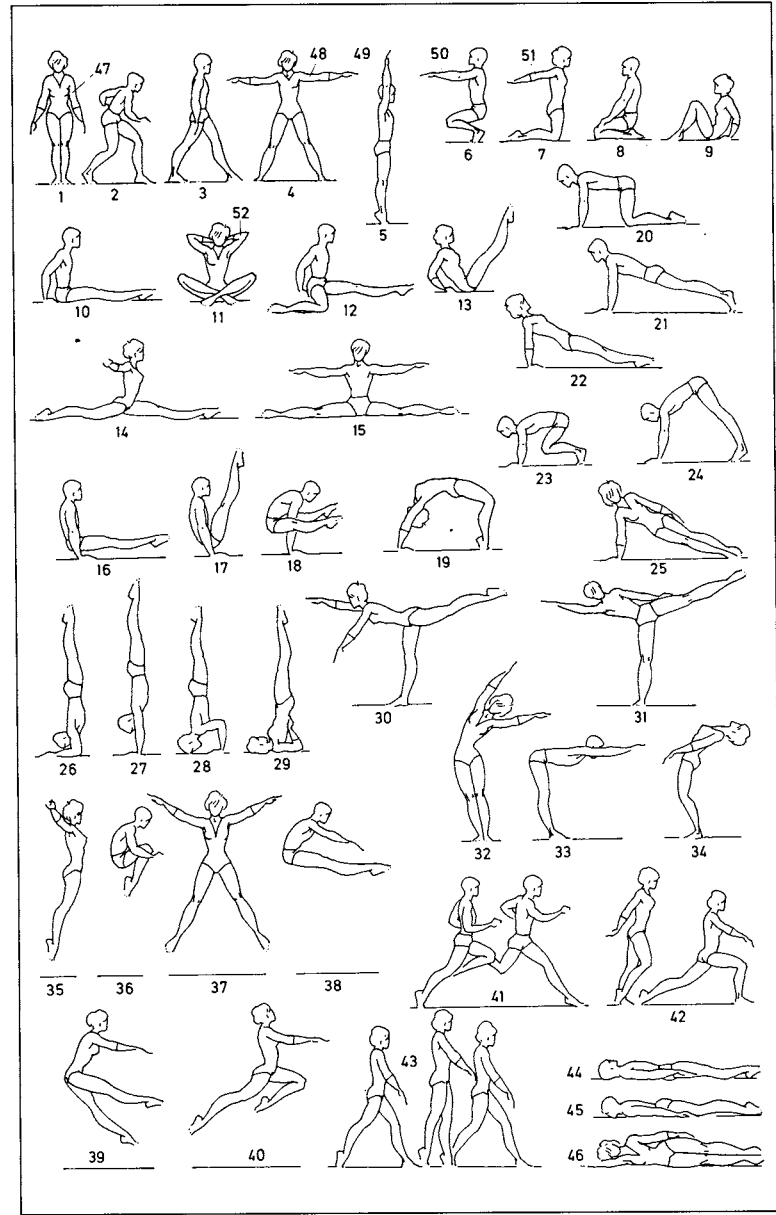
- 1-33 fencing (modern fencing)
- 1-18 foil
- 1 fencing master (fencing instructor)
- 2 piste
- 3 on guard line
- 4 centre (*Am.* center) line
- 5, 6 fencers (foil fencers, foilsmen, foilists) in a bout
- 5 attacker (attacking fencer) in lunging position (lunging)
- 6 defender (defending fencer), parrying
- 7 straight thrust, a fencing movement
- 8 parry of the tierce
- 9 line of fencing
- 10 the three fencing measures (short, medium, and long measure)
- 11 foil, a thrust weapon
- 12 fencing glove
- 13 fencing mask (foil mask)
- 14 neck flap (neck guard) on the fencing mask
- 15 metallic jacket
- 16 fencing jacket
- 17 heelless fencing shoes
- 18 first position for fencer's salute (initial position, on guard position)
- 19-24 sabre (*Am.* saber) fencing
- 19 sabreurs (sabre fencers, *Am.* saber fencers)
- 20 (light) sabre (*Am.* saber)
- 21 sabre (*Am.* saber) glove (sabre gauntlet)
- 22 sabre (*Am.* saber) mask
- 23 cut at head
- 24 parry of the fifth (quinte)
- 25-33 épée, with electrical scoring equipment
- 25 épéist
- 26 electric épée; *also:* electric foil
- 27 épée point
- 28 scoring lights
- 29 spring-loaded wire spool
- 30 indicator light
- 31 wire

- 32 electronic scoring equipment
- 33 on guard position
- 34-45 fencing weapons
- 34 light sabre (*Am.* saber), a cut and thrust weapon
- 35 guard
- 36 épée, a thrust weapon
- 37 French foil, a thrust weapon
- 38 guard (coquille)
- 39 Italian foil
- 40 foil pommel
- 41 handle
- 42 cross piece (quillons)
- 43 guard (coquille)
- 44 blade
- 45 button
- 46 engagements
- 47 quarte (carte) engagement
- 48 tierce engagement (*also:* sixte engagement)
- 49 circling engagement
- 50 seconde engagement (*also:* octave engagement)
- 51-53 target areas
- 51 the whole body in épée fencing (men)
- 52 head and upper body down to the groin in sabre (*Am.* saber) fencing (men)
- 53 trunk from the neck to the groin in foil fencing (ladies and men)



- 1 basic position (starting position)
- 2 running posture
- 3 side straddle
- 4 straddle (forward straddle)
- 5 toe stand
- 6 crouch
- 7 upright kneeling position
- 8 kneeling position, seat on heels
- 9 squat
- 10 L seat (long sitting)
- 11 tailor seat (sitting tailor-style)
- 12 hurdle (hurdle position)
- 13 V-seat
- 14 side split
- 15 forward split
- 16 L-support
- 17 V-support
- 18 straddle seat
- 19 bridge
- 20 kneeling front support
- 21 front support
- 22 back support
- 23 crouch with front support
- 24 arched front support
- 25 side support
- 26 forearm stand (forearm balance)
- 27 handstand
- 28 headstand
- 29 shoulder stand (shoulder balance)
- 30 forward horizontal stand (arabesque)
- 31 rearward horizontal stand
- 32 trunk-bending sideways
- 33 trunk-bending forwards
- 34 arch
- 35 astride jump (butterfly)
- 36 tuck jump
- 37 astride jump
- 38 pike
- 39 scissor jump
- 40 stag jump (stag leap)
- 41 running step
- 42 lunge
- 43 forward pace
- 44 lying on back
- 45 prone position

- 46 lying on side
- 47 holding arms downwards
- 48 holding (extending) arms sideways
- 49 holding arms raised upward
- 50 holding (extending) arms forward
- 51 arms held (extended) backward
- 52 hands clasped behind the head



1-11 gymnastics apparatus in men's

Olympic gymnastics

- 1 long horse (horse, vaulting horse)
- 2 parallel bars
- 3 bar
- 4 rings (stationary rings)
- 5 pommel horse (side horse)
- 6 pommel
- 7 horizontal bar (high bar)
- 8 bar
- 9 upright
- 10 stay wires
- 11 floor (12 m × 12 m floor area)

12-21 auxiliary apparatus and apparatus for school and club gymnastics

- 12 springboard (Reuther board)
- 13 landing mat
- 14 bench
- 15 box
- 16 small box
- 17 buck
- 18 mattress
- 19 climbing rope (rope)
- 20 wall bars
- 21 window ladder

22-39 positions in relation to the apparatus

- 22 side, facing
- 23 side, facing away
- 24 end, facing
- 25 end, facing away
- 26 outside, facing
- 27 inside, facing
- 28 front support
- 29 back support
- 30 straddle position
- 31 seated position outside
- 32 riding seat outside
- 33 hang
- 34 reverse hang
- 35 hang with elbows bent
- 36 piked reverse hang
- 37 straight inverted hang
- 38 straight hang
- 39 bent hang

40-46 grasps (kinds of grasp)

- 40 overgrasp on the horizontal bar

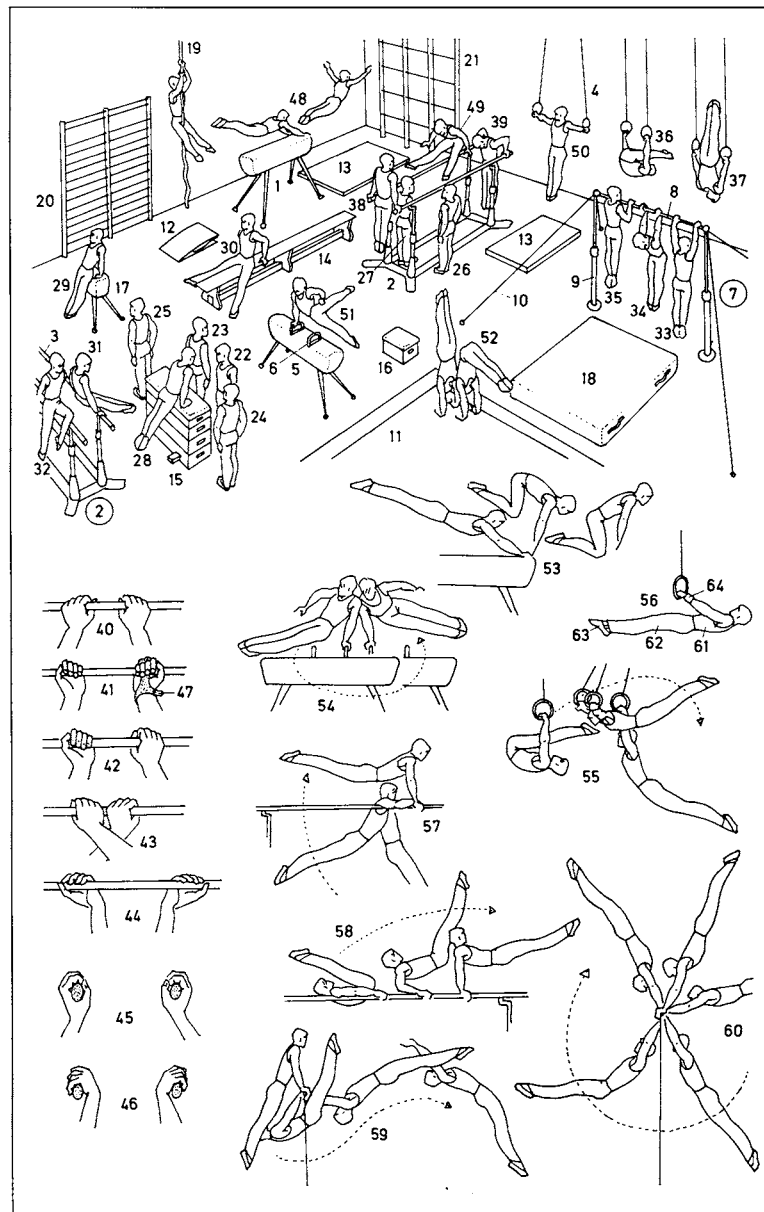
- 41 undergrasp on the horizontal bar
- 42 combined grasp on the horizontal bar
- 43 cross grasp on the horizontal bar
- 44 rotated grasp on the horizontal bar
- 45 outside grip on the parallel bars
- 46 rotated grasp on the parallel bars
- 47 leather handstrap

48-60 apparatus exercises

- 48 long-fly on the horse
- 49 rise to straddle on the parallel bars
- 50 crucifix on the rings
- 51 scissors (scissors movement) on the pommel horse
- 52 legs raising into a handstand on the floor
- 53 squat vault on the horse
- 54 double leg circle on the pommel horse
- 55 hip circle backwards on the rings
- 56 lever hang on the rings
- 57 rearward swing on the parallel bars
- 58 forward kip into upper arm hang on the parallel bars
- 59 backward underswing on the horizontal bar
- 60 backward grand circle on the horizontal bar

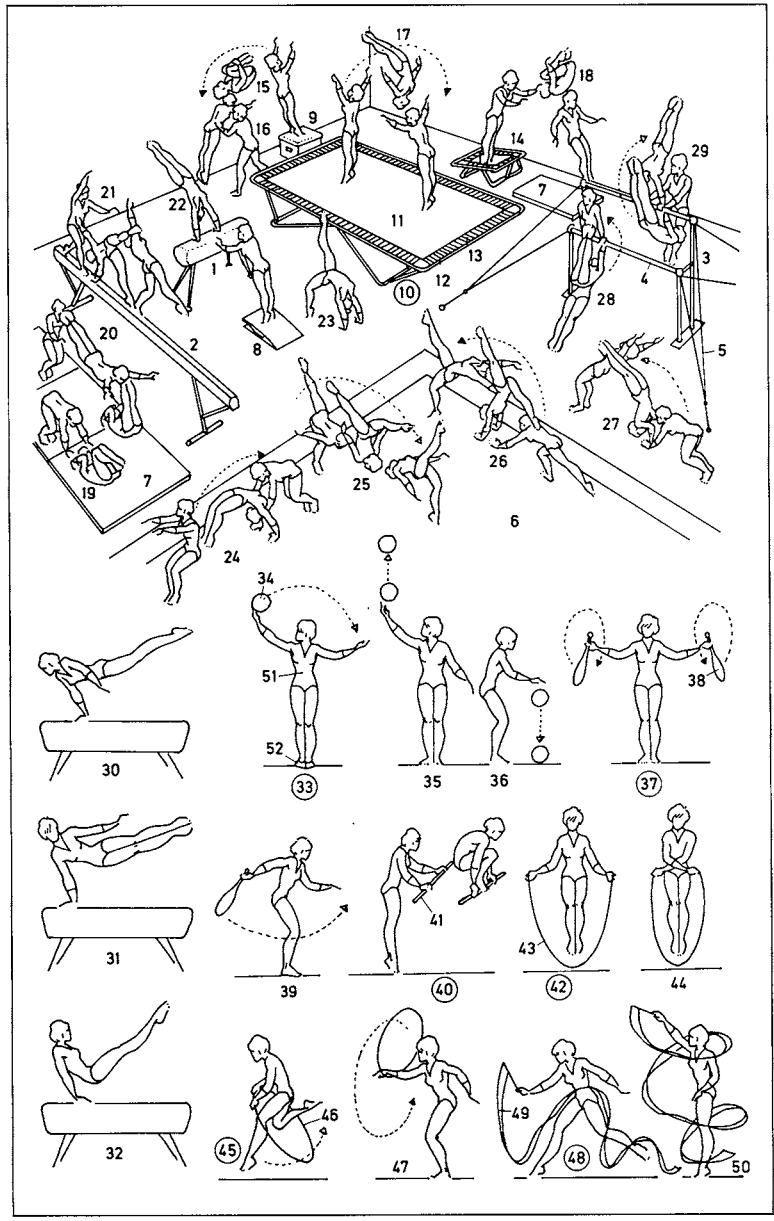
61-63 gymnastics kit

- 61 singlet (vest, *Am.* undershirt)
- 62 gym trousers
- 63 gym shoes
- 64 wristband



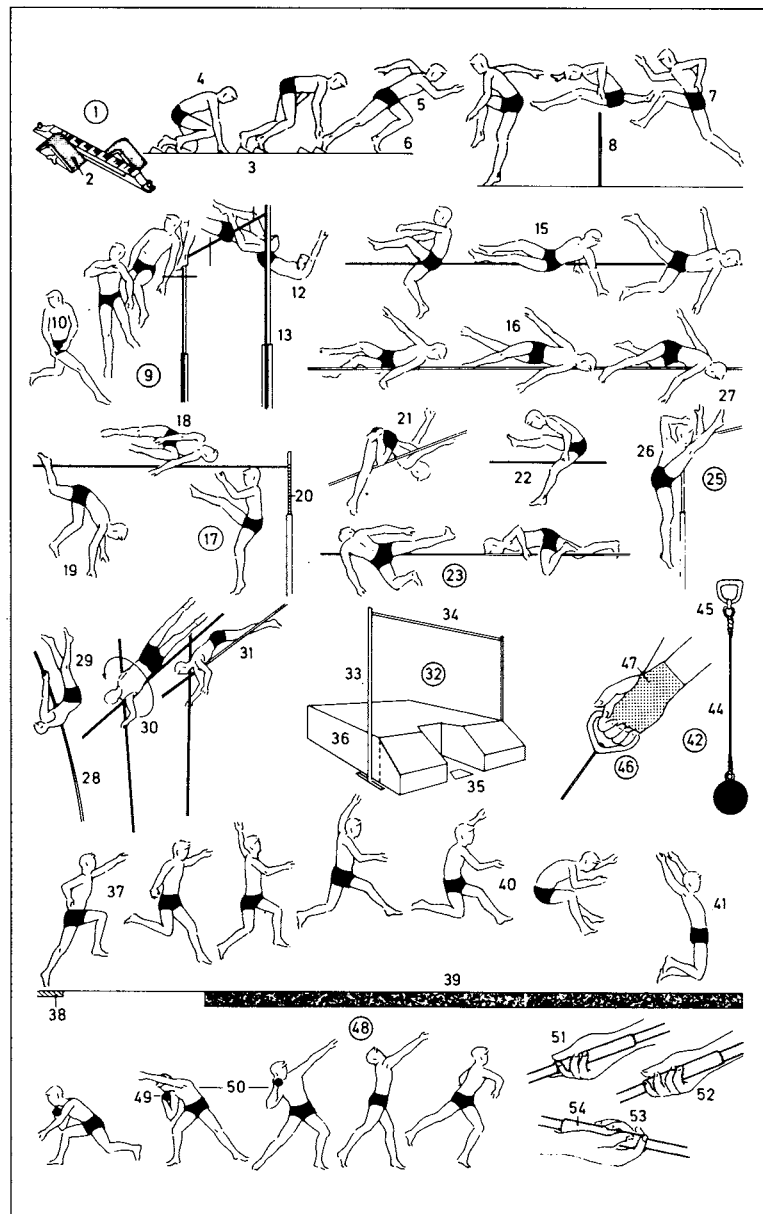
- 1-6 **gymnastics apparatus** in women's Olympic gymnastics
- 1 horse (vaulting horse)
- 2 beam
- 3 asymmetric bars (uneven bars)
- 4 bar
- 5 stay wires
- 6 floor (12 m × 12 m floor area)
- 7-14 **auxiliary apparatus and apparatus for school and club gymnastics**
- 7 landing mat
- 8 springboard (Reuther board)
- 9 small box
- 10 trampoline
- 11 sheet (web)
- 12 frame
- 13 rubber springs
- 14 springboard trampoline
- 15-32 **apparatus exercises**
- 15 backward somersault
- 16 spotting position (standing-in position)
- 17 vertical backward somersault on the trampoline
- 18 forward somersault on the springboard trampoline
- 19 forward roll on the floor
- 20 long-fly to forward roll on the floor
- 21 cartwheel on the beam
- 22 handspring on the horse
- 23 backward walkover
- 24 back flip (flik-flak) on the floor
- 25 free walkover forward on the floor
- 26 forward walkover on the floor
- 27 headspring on the floor
- 28 upstart on the asymmetric bars
- 29 free backward circle on the asymmetric bars
- 30 face vault over the horse
- 31 flank vault over the horse
- 32 back vault (rear vault) over the horse
- 33-50 **gymnastics with hand apparatus**
- 33 hand-to-hand throw
- 34 gymnastic ball
- 35 high toss
- 36 bounce

- 37 hand circling with two clubs
- 38 gymnastic club
- 39 swing
- 40 tuck jump
- 41 bar
- 42 skip
- 43 rope (skipping rope)
- 44 criss-cross skip
- 45 skip through the hoop
- 46 gymnastic hoop
- 47 hand circle
- 48 serpent
- 49 gymnastic ribbon
- 50 spiral
- 51, 52 **gymnastics kit**
- 51 leotard
- 52 gym shoes



- 1-8 running
- 1-6 start
- 1 starting block
- 2 adjustable block (pedal)
- 3 start
- 4 crouch start
- 5 runner, a sprinter; *also*: middle-distance runner, long-distance runner
- 6 running track (track), a cinder track or synthetic track
- 7,8 hurdles (hurdle racing); *sim.*: steeplechase
- 7 clearing the hurdle
- 8 hurdle
- 9-41 jumping and vaulting
- 9-27 high jump
- 9 Fosbury flop (Fosbury, flop)
- 10 high jumper
- 11 body rotation (rotation on the body's longitudinal and latitudinal axes)
- 12 shoulder landing
- 13 upright
- 14 bar (crossbar)
- 15 Eastern roll
- 16 Western roll
- 17 roll
- 18 rotation
- 19 landing
- 20 height scale
- 21 Eastern cut-off
- 22 scissors (scissor jump)
- 23 straddle (straddle jump)
- 24 turn
- 25 vertical free leg
- 26 take-off
- 27 free leg
- 28-36 pole vault
- 28 pole (vaulting pole)
- 29 pole vaulter (vaulter) in the pull-up phase
- 30 swing
- 31 crossing the bar
- 32 high jump apparatus (high jump equipment)
- 33 upright
- 34 bar (crossbar)

- 35 box
- 36 landing area (landing pad)
- 37-41 long jump
- 37 take-off
- 38 take-off board
- 39 landing area
- 40 hitch-kick
- 41 hang
- 42-47 hammer throw
- 42 hammer
- 43 hammer head
- 44 handle
- 45 grip
- 46 holding the grip
- 47 glove
- 48 shot put
- 49 shot (weight)
- 50 O'Brien technique
- 51-53 javelin throw
- 51 grip with thumb and index finger
- 52 grip with thumb and middle finger
- 53 horseshoe grip
- 54 binding



1-5 weightlifting

- 1 squat-style snatch
- 2 weightlifter
- 3 disc (disk) barbell
- 4 jerk with split
- 5 maintained lift

6-12 wrestling

- 6-9 Greco-Roman wrestling
- 6 standing wrestling (wrestling in standing position)
- 7 wrestler
- 8 on-the-ground wrestling (*here*: the referee's position)
- 9 bridge

10-12 freestyle wrestling

- 10 bar arm (arm bar) with grapevine
- 11 double leg lock
- 12 wrestling mat (mat)

13-17 judo (*sim.*: ju-jitsu, jiu-jitsu, ju-jutsu)

- 13 drawing the opponent off balance to the right and forward
- 14 judoka (judoist)
- 15 coloured (*Am.* colored) belt, as a symbol of Dan grade

16 referee

17 judo throw

18, 19 karate

- 18 karateka
- 19 side thrust kick, a kicking technique

20-50 boxing (boxing match)

20-24 training apparatus (training equipment)

- 20 spring-supported punch ball
- 21 punch bag (*Am.* punching bag)
- 22 speed ball
- 23 suspended punch ball
- 24 punch ball

25 boxer, an amateur boxer (boxes in a singlet, vest, *Am.* undershirt) or a professional boxer (boxes without singlet)

- 26 boxing glove
- 27 sparring partner
- 28 straight punch (straight blow)
- 29 ducking and sidestepping

30 headguard

31 infighting; *here*: clinch

32 uppercut

33 hook to the head; *here*: right hook

34 punch below the belt, a foul punch (illegal punch, foul)

35-50 boxing match (boxing contest), a title fight (title bout)

35 boxing ring (ring)

36 ropes

37 stay wire (stay rope)

38 neutral corner

39 winner

40 loser by a knockout

41 referee

42 counting out

43 judge

44 second

45 manager

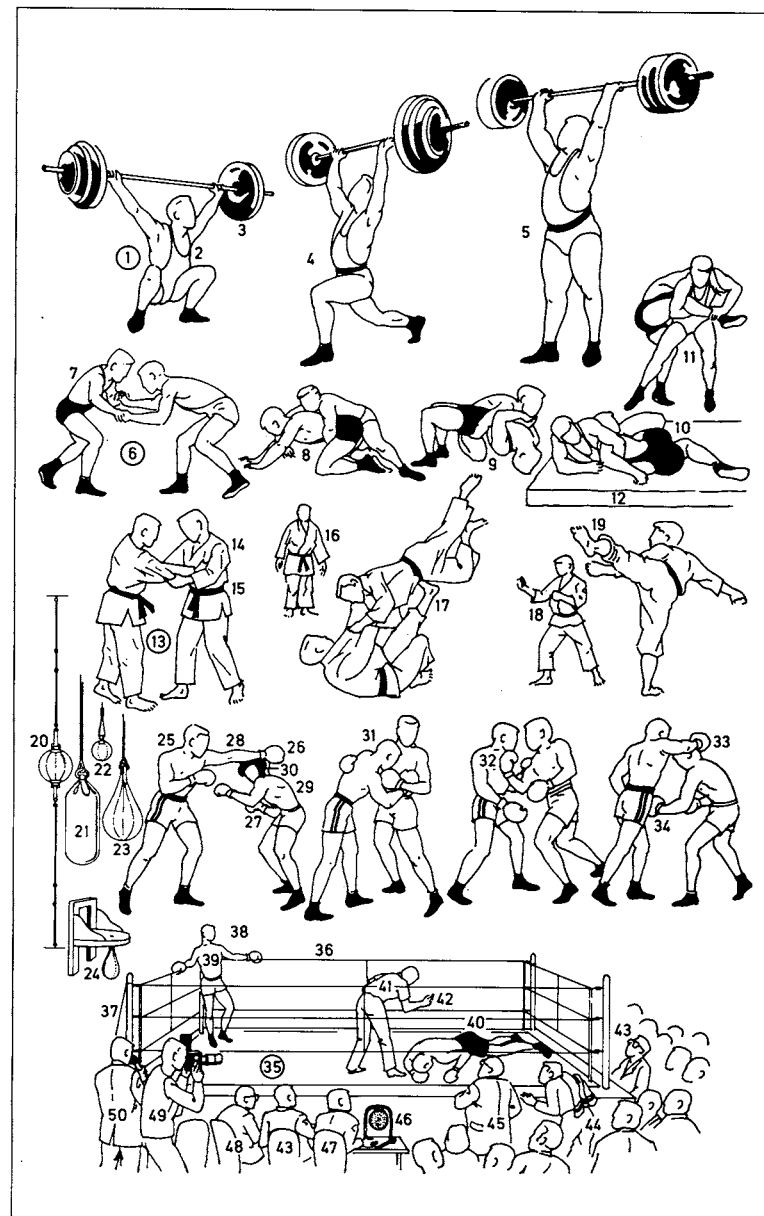
46 gong

47 timekeeper

48 record keeper

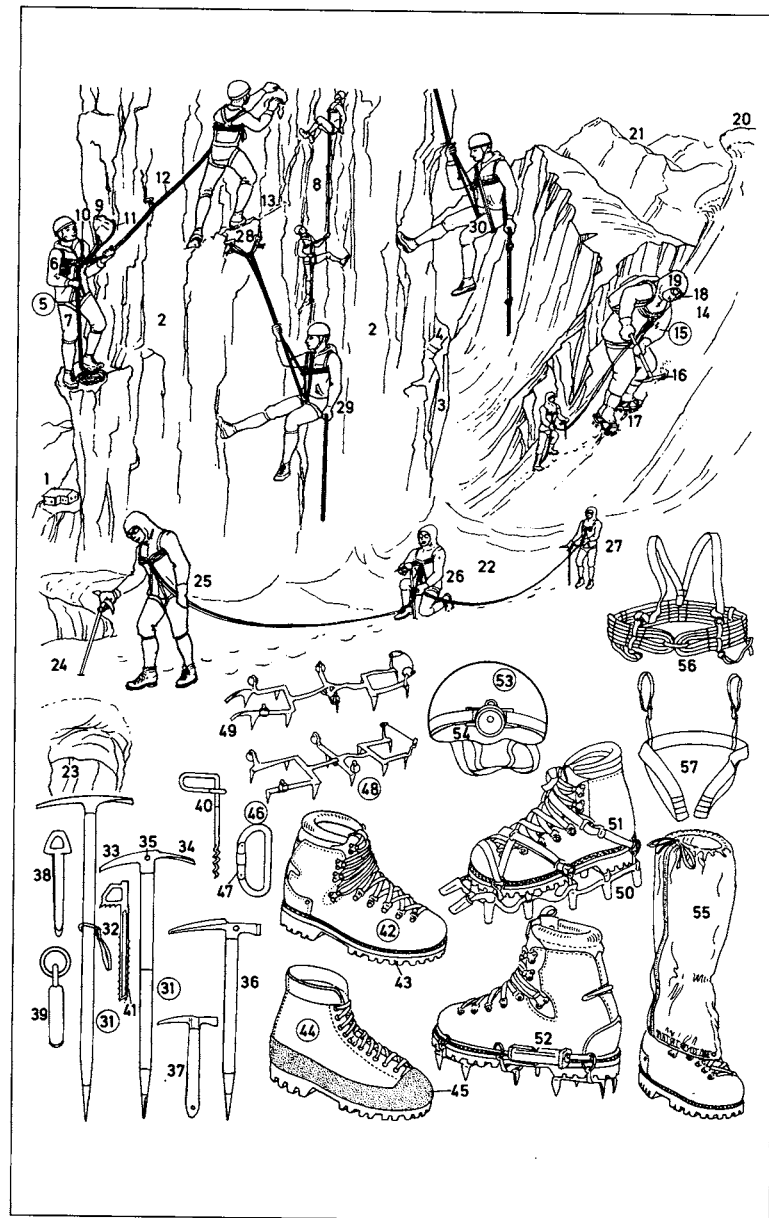
49 press photographer

50 sports reporter (reporter)



- 1-57 mountaineering** (mountain climbing, Alpinism)
- 1** hut (Alpine Club hut, mountain hut, base)
- 2-13 climbing** (rock climbing) [rock climbing technique]
- 2** rock face (rock wall)
- 3** fissure (vertical, horizontal, or diagonal fissure)
- 4** ledge (rock ledge, grass ledge, scree ledge, snow ledge, ice ledge)
- 5** mountaineer (climber, mountain climber, Alpinist)
- 6** anorak (high-altitude anorak, snowshirt, padded jacket)
- 7** breeches (climbing breeches)
- 8** chimney
- 9** belay (spike, rock spike)
- 10** belay
- 11** rope sling (sling)
- 12** rope
- 13** spur
- 14-21 snow and ice climbing** [snow and ice climbing technique]
- 14** ice slope (firm slope)
- 15** snow and ice climber
- 16** ice axe (*Am. ax*)
- 17** step (ice step)
- 18** snow goggles
- 19** hood (anorak hood)
- 20** cornice (snow cornice)
- 21** ridge (ice ridge)
- 22-27 rope** (roped party)
- 22** glacier
- 23** crevasse
- 24** snow bridge
- 25** leader
- 26** second man (belayer)
- 27** third man (non-belayer)
- 28-30 roping down** (abseiling, rapelling)
- 28** abseil sling
- 29** sling seat
- 30** Dülfer seat

- 31-57 mountaineering equipment** (climbing equipment, snow and ice climbing equipment)
- 31** ice axe (*Am. ax*)
- 32** wrist sling
- 33** pick
- 34** adze (*Am. adz*)
- 35** karabiner hole
- 36** short-shafted ice axe (*Am. ax*)
- 37** hammer axe (*Am. ax*)
- 38** general-purpose piton
- 39** abseil piton (ringed piton)
- 40** ice piton (semi-tubular screw ice piton, corkscrew piton)
- 41** drive-in ice piton
- 42** mountaineering boot
- 43** corrugated sole
- 44** climbing boot
- 45** roughened stiff rubber upper
- 46** karabiner
- 47** screwgate
- 48** crampons (lightweight crampons, twelve-point crampons, ten-point crampons)
- 49** front points
- 50** point guards
- 51** crampon strap
- 52** crampon cable fastener
- 53** safety helmet (protective helmet)
- 54** helmet lamp
- 55** snow gaiters
- 56** climbing harness
- 57** sit harness



1-72 skiing

- 1 compact ski
- 2 safety binding (release binding)
- 3 strap
- 4 steel edge
- 5 ski stick (ski pole)
- 6 grip
- 7 loop
- 8 basket
- 9 ladies' one-piece ski suit
- 10 skiing cap (ski cap)
- 11 skiing goggles
- 12 cemented sole ski boot
- 13 crash helmet
- 14-20 cross-country equipment
- 14 cross-country ski
- 15 cross-country rat trap binding
- 16 cross-country boot
- 17 cross-country gear
- 18 peaked cap
- 19 sunglasses
- 20 cross-country poles made of bamboo
- 21-24 ski-waxing equipment
- 21 ski wax
- 22 waxing iron (blowlamp, blowtorch)
- 23 waxing cork
- 24 wax scraper
- 25 downhill racing pole
- 26 herringbone, for climbing a slope
- 27 sidestep, for climbing a slope
- 28 ski bag
- 29 slalom
- 30 gate pole
- 31 racing suit
- 32 downhill racing
- 33 'egg' position, the ideal downhill racing position
- 34 downhill ski
- 35 ski jumping
- 36 lean forward
- 37 number
- 38 ski jumping ski
- 39 grooves (3 to 5 grooves)
- 40 cable binding
- 41 ski jumping boots
- 42 cross-country
- 43 cross-country stretch-suit

- 44 course
- 45 course-marking flag
- 46 layers of a modern ski
- 47 special core
- 48 laminates
- 49 stabilizing layer (stabilizer)
- 50 steel edge
- 51 aluminium (*Am.* aluminum) upper edge
- 52 synthetic bottom (artificial bottom)
- 53 safety jet
- 54-56 parts of the binding
- 54 automatic heel unit
- 55 toe unit
- 56 ski stop
- 57-63 ski lift
- 57 double chair lift
- 58 safety bar with footrest
- 59 ski lift
- 60 track
- 61 hook
- 62 automatic cable pulley
- 63 haulage cable
- 64 slalom
- 65 open gate
- 66 closed vertical gate
- 67 open vertical gate
- 68 transversal chicane
- 69 hairpin
- 70 elbow
- 71 corridor
- 72 Allais chicane

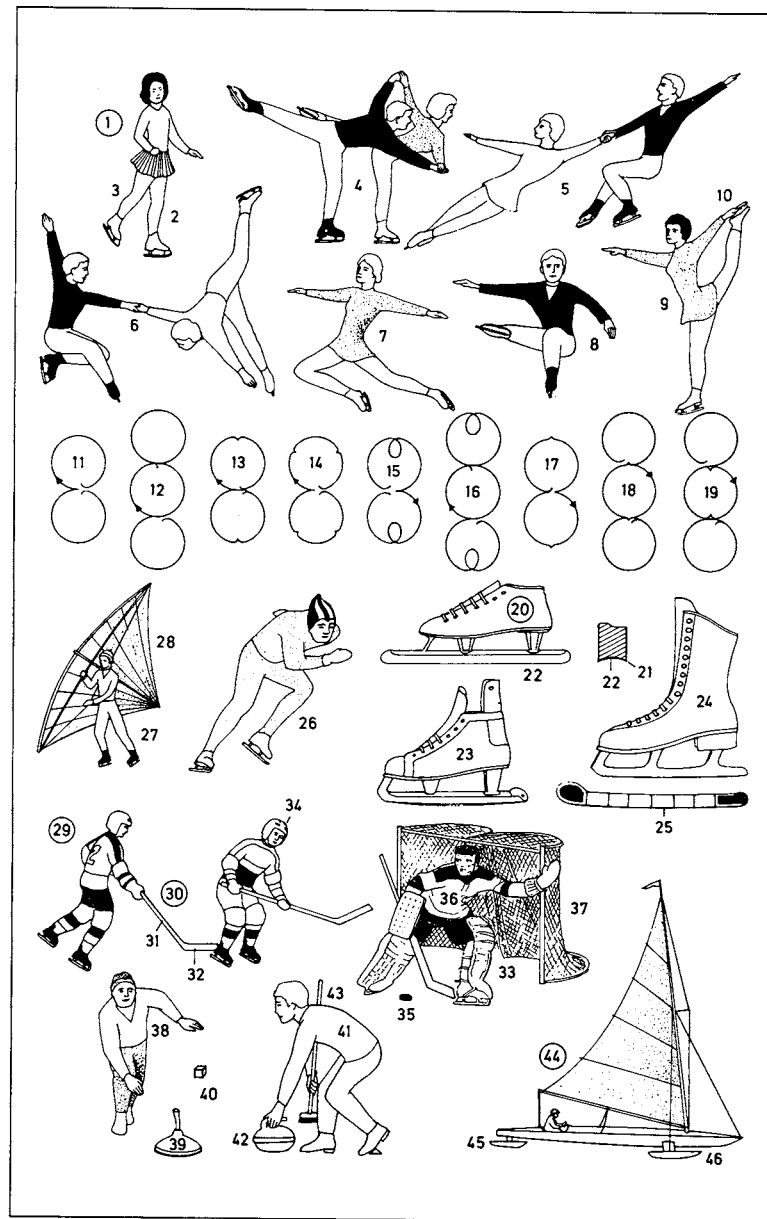


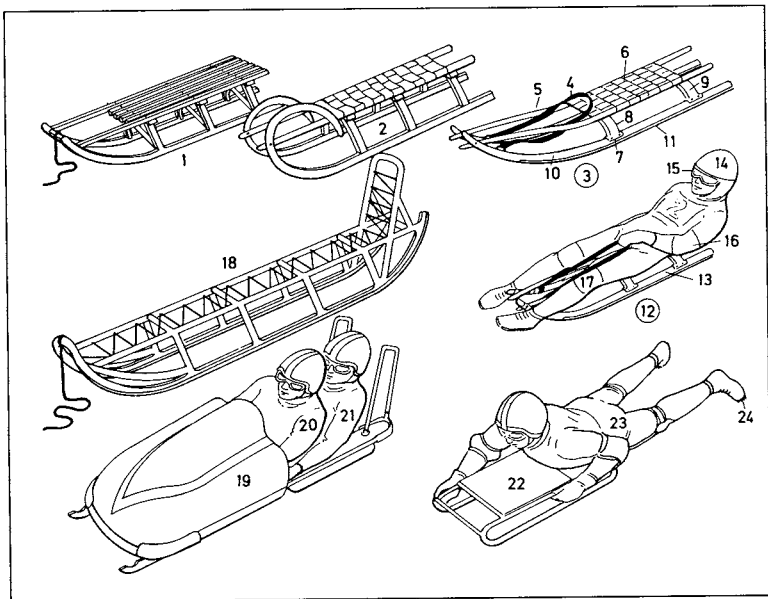
1-26 ice skating

- 1 ice skater, a solo skater
- 2 tracing leg
- 3 free leg
- 4 pair skaters
- 5 death spiral
- 6 pivot
- 7 stag jump (stag leap)
- 8 jump-sit-spin
- 9 upright spin
- 10 holding the foot
- 11-19 compulsory figures
- 11 curve eight
- 12 change
- 13 three
- 14 double-three
- 15 loop
- 16 change loop
- 17 bracket
- 18 counter
- 19 rocker
- 20-25 ice skates
- 20 speed skating set (speed skate)
- 21 edge
- 22 hollow grinding (hollow ridge, concave ridge)
- 23 ice hockey set (ice hockey skate)
- 24 ice skating boot
- 25 skate guard
- 26 speed skater
- 27, 28 skate sailing
- 27 skate sailor
- 28 hand sail
- 29-37 ice hockey
- 29 ice hockey player
- 30 ice hockey stick
- 31 stick handle
- 32 stick blade
- 33 shin pad
- 34 headgear (protective helmet)
- 35 puck, a vulcanized rubber disc (disk)
- 36 goalkeeper
- 37 goal
- 38-40 ice-stick shooting (Bavarian curling)

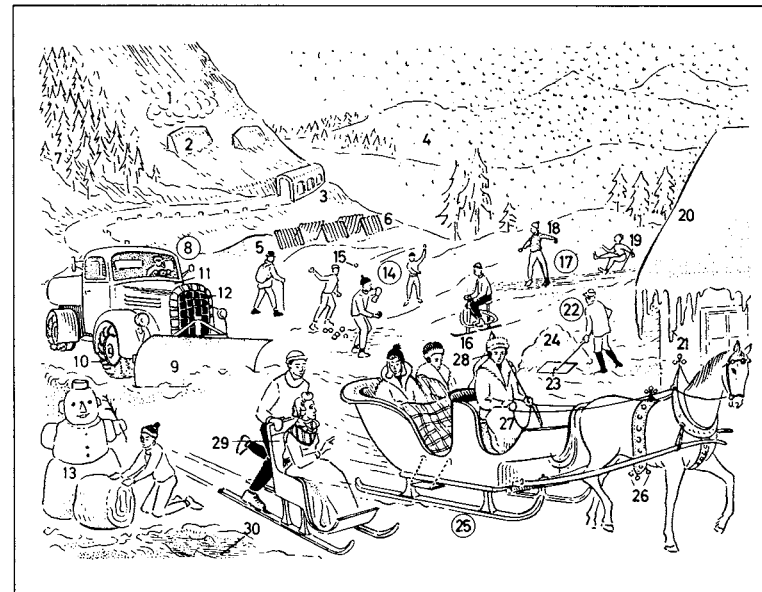
38 ice-stick shooter (Bavarian curler)

- 39 ice stick
- 40 block
- 41-43 curling
- 41 curler
- 42 curling stone (granite)
- 43 curling brush (curling broom, besom)
- 44-46 ice yachting (iceboating, ice sailing)
- 44 ice yacht (iceboat)
- 45 steering runner
- 46 outrigger runner





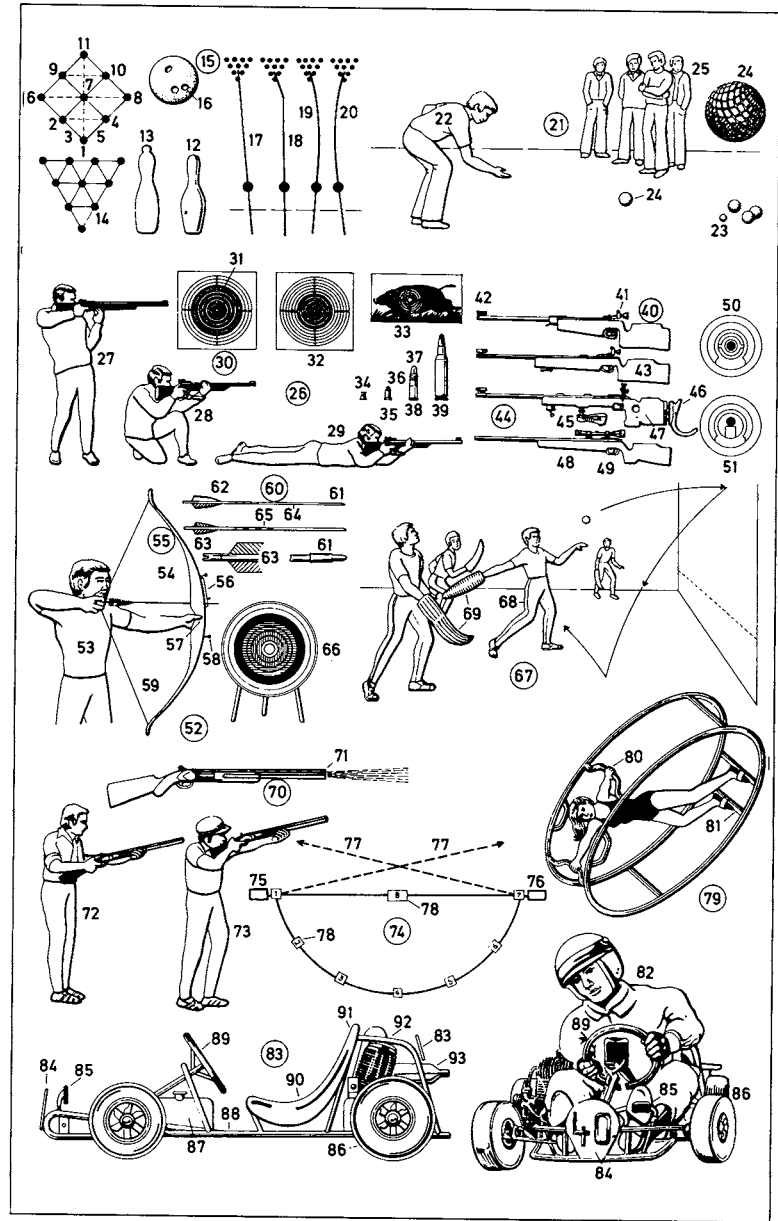
- | | |
|--|--|
| 1 toboggan (sledge, <i>Am.</i> sled) | 19 bobsleigh (bobsled), a two-man bobsleigh (a boblet) |
| 2 toboggan (sledge, <i>Am.</i> sled) with seat of plaid straps | 20 steersman |
| 3 junior luge toboggan (junior luge, junior toboggan) | 21 brakeman |
| 4 rein | 22-24 skeleton tobogganing (Cresta tobogganing) |
| 5 bar (strut) | 22 skeleton (skeleton toboggan) |
| 6 seat | 23 skeleton rider |
| 7 bracket | 24 rake, for braking and steering |
| 8 front prop | |
| 9 rear prop | |
| 10 movable runner | |
| 11 metal face | |
| 12 luge tobogganer | |
| 13 luge toboggan (luge, toboggan) | |
| 14 crash helmet | |
| 15 goggles | |
| 16 elbow pad | |
| 17 knee pad | |
| 18 Nansen sledge, a polar sledge | |
| 19-21 bobsleigh (bobsledding) | |



- | | |
|--|--|
| 1 avalanche (snow avalanche, <i>Am.</i> snowslide); <i>kinds:</i> wind avalanche, ground avalanche | 15 snowball |
| 2 avalanche wall, a deflecting wall (diverting wall); <i>sim.:</i> avalanche wedge | 16 ski bob |
| 3 avalanche gallery | 17 slide |
| 4 snowfall | 18 boy, sliding |
| 5 snowdrift | 19 icy surface (icy ground) |
| 6 snow fence | 20 covering of snow (on the roof) |
| 7 avalanche forest [planted as protection against avalanches] | 21 icicle |
| 8 street-cleaning lorry (street cleaner) | 22 man clearing snow |
| 9 snow plough (<i>Am.</i> snowplow) attachment | 23 snow push (snow shovel) |
| 10 snow chain (skid chain, tyre chain, <i>Am.</i> tire chain) | 24 heap of snow |
| 11 radiator bonnet (<i>Am.</i> radiator hood) | 25 horse-drawn sleigh (horse sleigh) |
| 12 radiator shutter and shutter opening (louvre shutter) | 26 sleigh bells (bells, set of bells) |
| 13 snowman | 27 foot muff (<i>Am.</i> foot bag) |
| 14 snowball fight | 28 earmuff |
| | 29 handsledge (tread sledge); <i>sim.:</i> push sledge |
| | 30 slush |

- 1-13 skittles
- 1-11 skittle frame
- 1 front pin (front)
- 2 left front second pin (left front second)
- 3 running three [left]
- 4 right front second pin (right front second)
- 5 running three [right]
- 6 left corner pin (left corner), a corner (copper)
- 7 landlord
- 8 right corner pin (right corner), a corner (copper)
- 9 back left second pin (back left second)
- 10 back right second pin (back right second)
- 11 back pin (back)
- 12 pin
- 13 landlord
- 14-20 tenpin bowling
- 14 frame
- 15 bowling ball (ball with finger holes)
- 16 finger hole
- 17-20 deliveries
- 17 straight ball
- 18 hook ball (hook)
- 19 curve
- 20 back-up ball (back-up)
- 21 **boules**; *sim.*: Italian game of bocce, green bowls (bowls)
- 22 boules player
- 23 jack (target jack)
- 24 grooved boule
- 25 group of players
- 26 rifle shooting
- 27-29 shooting positions
- 27 standing position
- 28 kneeling position
- 29 prone position
- 30-33 targets
- 30 target for 50 m events (50 m target)
- 31 circle
- 32 target for 100 m events (100 m target)
- 33 bobbing target (turning target, running-boar target)
- 34-39 ammunition
- 34 air rifle cartridge
- 35 rimfire cartridge for zimmerstutzen (indoor target rifle), a smallbore German single-shot rifle
- 36 case head
- 37 caseless round
- 38 .22 long rifle cartridge
- 39 .222 Remington cartridge
- 40-49 sporting rifles
- 40 air rifle
- 41 optical sight

- 42 front sight (foresight)
- 43 smallbore standard rifle
- 44 international smallbore free rifle
- 45 palm rest for standing position
- 46 butt plate with hook
- 47 butt with thumb hole
- 48 smallbore rifle for bobbing target (turning target)
- 49 telescopic sight (riflescope, telescope sight)
- 50 optical ring sight
- 51 optical ring and bead sight
- 52-66 **archery** (target archery)
- 52 shot
- 53 archer
- 54 competition bow
- 55 riser
- 56 point-of-aim mark
- 57 grip (handle)
- 58 stabilizer
- 59 bow string (string)
- 60 arrow
- 61 pile (point) of the arrow
- 62 fletching
- 63 nock
- 64 shaft
- 65 cresting
- 66 target
- 67 Basque game of **pelota** (*jai alai*)
- 68 pelota player
- 69 wicker basket (cesta)
- 70-78 **skeet** (skeet shooting), a kind of clay pigeon shooting
- 70 skeet over-and-under shotgun
- 71 muzzle with skeet choke
- 72 ready position on call
- 73 firing position
- 74 shooting range
- 75 high house
- 76 low house
- 77 target's path
- 78 shooting station (shooting box)
- 79 **aero wheel**
- 80 handle
- 81 footrest
- 82 **go-karting** (karting)
- 83 go-kart (kart)
- 84 number plate (number)
- 85 pedals
- 86 pneumatic tyre (*Am. tire*)
- 87 petrol tank (*Am. gasoline tank*)
- 88 frame
- 89 steering wheel
- 90 bucket seat
- 91 protective bulkhead
- 92 two-stroke engine
- 93 silencer (*Am. muffler*)





1-48 masked ball (masquerade, fancy-dress ball)

- 1 ballroom
- 2 dance band
- 3 pop musician
- 4 paper lantern
- 5 festoon (string of decorations)
- 6-48 disguise (fancy dress) at the masquerade
- 6 witch
- 7 mask
- 8 fur trapper (trapper)
- 9 Apache girl
- 10 net stocking
- 11 first prize in the tombola (raffle), a hamper
- 12 pierette
- 13 half mask (domino)
- 14 devil
- 15 domino
- 16 hula-hula girl (Hawaii girl)
- 17 garland
- 18 grass skirt (hula skirt)

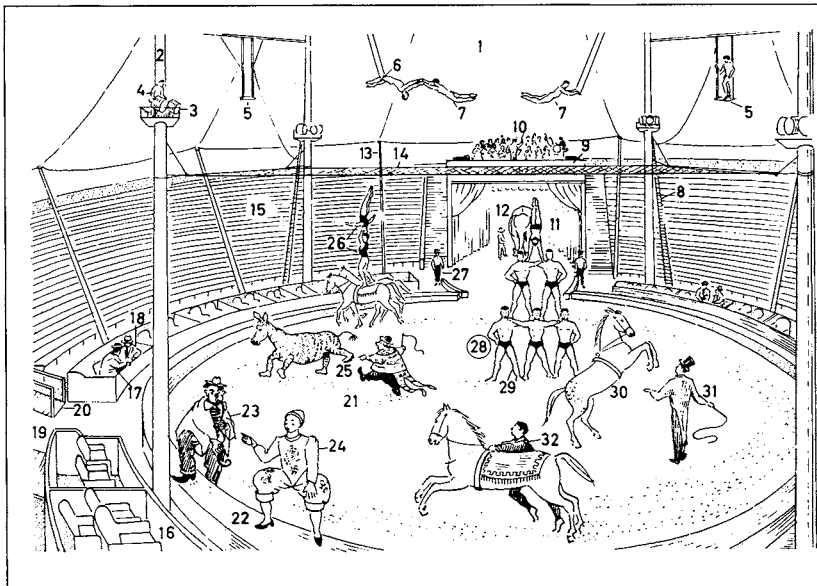
- 19 pierrot
- 20 ruff
- 21 midinette
- 22 Biedermeier dress
- 23 poke bonnet
- 24 décolletage with beauty spot
- 25 bayadère (Hindu dancing girl)
- 26 grandee
- 27 Columbine
- 28 maharaja (maharajah)
- 29 mandarin, a Chinese dignitary
- 30 exotic girl (exotic)
- 31 cowboy; *sim.*: gaucho (vaquero)
- 32 vamp, in fancy dress
- 33 dandy (fop, beau)
- 34 rosette
- 35 harlequin
- 36 gipsy (gypsy) girl
- 37 cocotte (demi-monde, demi-mondaine, demi-rep)
- 38 owl-glass, a fool (jester, buffoon)
- 39 foolscap (jester's cap and bells)
- 40 rattle



41 odalisque, Eastern female slave in Sultan's seraglio

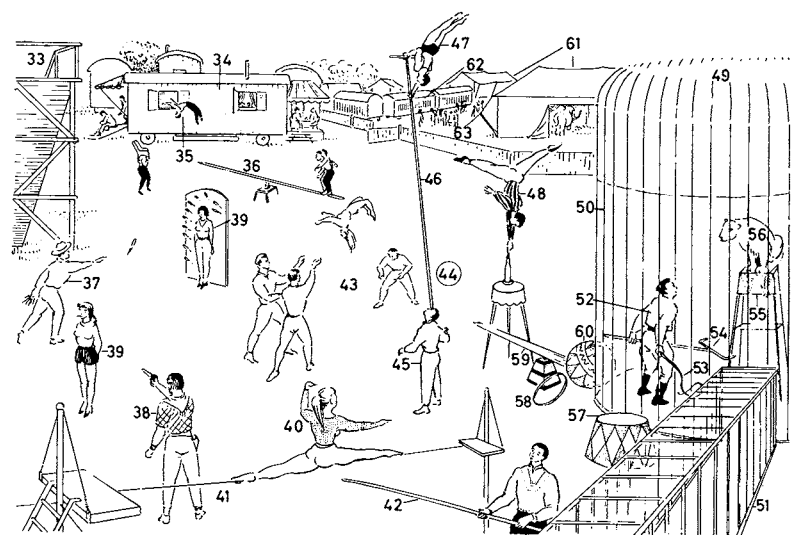
- 42 chalwar (pantaloons)
- 43 pirate (buccaneer)
- 44 tattoo
- 45 paper hat
- 46 false nose
- 47 clapper (rattle)
- 48 slapstick
- 49-54 fireworks**
- 49 percussion cap
- 50 cracker
- 51 banger
- 52 jumping jack
- 53 cannon cracker (maroon, maroon)
- 54 rocket
- 55 paper ball
- 56 jack-in-the-box
- 57-70 carnival procession**
- 57 carnival float (carnival truck)
- 58 King Carnival

- 59 bauble (fool's sceptre, *Am.* scepter)
- 60 fool's badge
- 61 Queen Carnival
- 62 confetti
- 63 giant
- 64 beauty queen
- 65 fairy-tale figure
- 66 paper streamer
- 67 majorette
- 68 king's guard
- 69 buffoon, a clown
- 70 lansquenet's drum

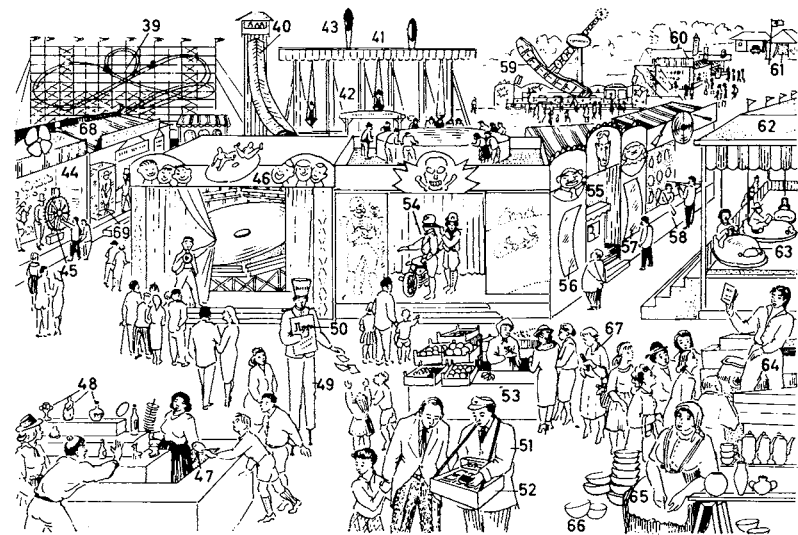
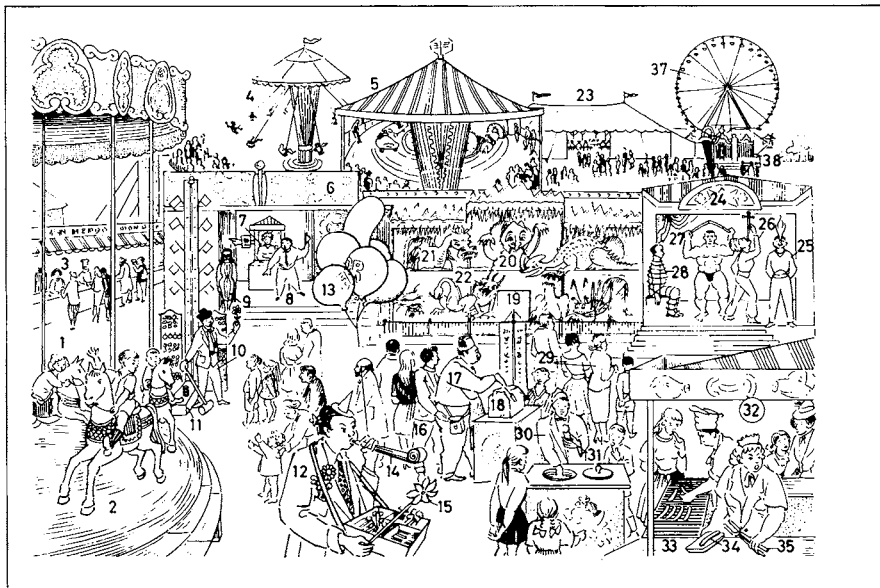


1-63 travelling (*Am.* traveling) circus

- 1 circus tent (big top), a four-pole tent
- 2 tent pole
- 3 spotlight
- 4 lighting technician
- 5 trapeze platform
- 6 trapeze
- 7 trapeze artist
- 8 rope ladder
- 9 bandstand
- 10 circus band
- 11 ring entrance (arena entrance)
- 12 wings
- 13 tent prop (prop)
- 14 safety net
- 15 seats for the spectators
- 16 circus box
- 17 circus manager
- 18 agent
- 19 entrance and exit
- 20 steps
- 21 ring (arena)
- 22 ring fence
- 23 musical clown (clown)
- 24 clown
- 25 comic turn (clown act), a circus act
- 26 circus riders (bareback riders)
- 27 ring attendant, a circus attendant
- 28 pyramid
- 29 support
- 30, 31 performance by liberty horses
- 30 circus horse, performing the levade (pesade)
- 31 ringmaster
- 32 vaulter



- 33 emergency exit
- 34 caravan (circus caravan, *Am.* trailer)
- 35 springboard acrobat (springboard artist)
- 36 springboard
- 37 knife thrower
- 38 circus marksman
- 39 assistant
- 40 tightrope dancer
- 41 tightrope
- 42 balancing pole
- 43 throwing act
- 44 balancing act
- 45 support
- 46 pole (bamboo pole)
- 47 acrobat
- 48 equilibrist (balancer)
- 49 wild animal cage, a round cage
- 50 bars of the cage
- 51 passage (barred passage, passage for the wild animals)
- 52 tamer (wild animal tamer)
- 53 whip
- 54 fork
- 55 pedestal
- 56 wild animal (tiger, lion)
- 57 stand
- 58 hoop (jumping hoop)
- 59 seesaw
- 60 ball
- 61 camp
- 62 cage caravan
- 63 menagerie



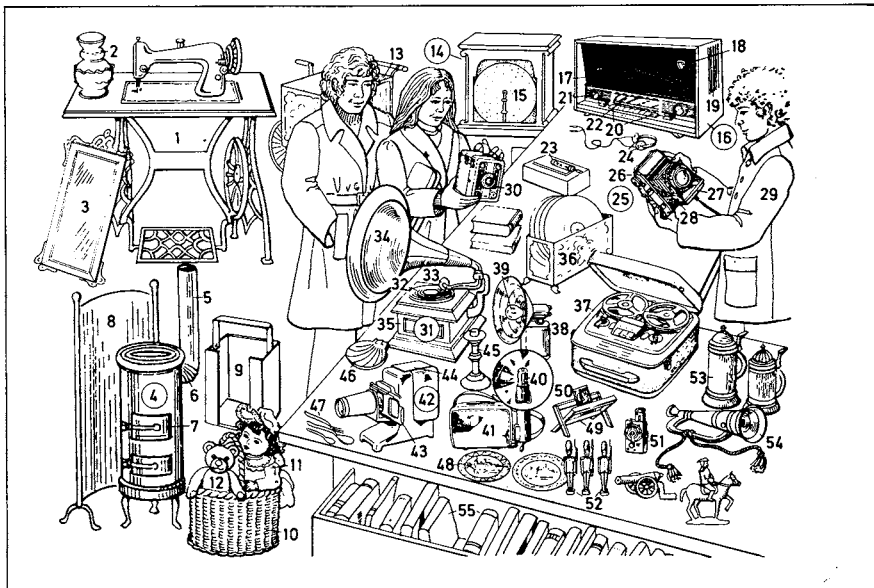
1-69 fair (annual fair)

- 1 fairground
- 2 children's merry-go-round (whirligig), a roundabout (*Am.* carousel)
- 3 refreshment stall (drinks stall)
- 4 chairplane
- 5 up-and-down roundabout
- 6 show booth (booth)
- 7 box (box office)
- 8 barker
- 9 medium
- 10 showman
- 11 try-your-strength machine
- 12 hawker
- 13 balloon
- 14 paper serpent
- 15 windmill
- 16 pickpocket (thief)
- 17 vendor
- 18 nougat
- 19 ghost train
- 20 monster

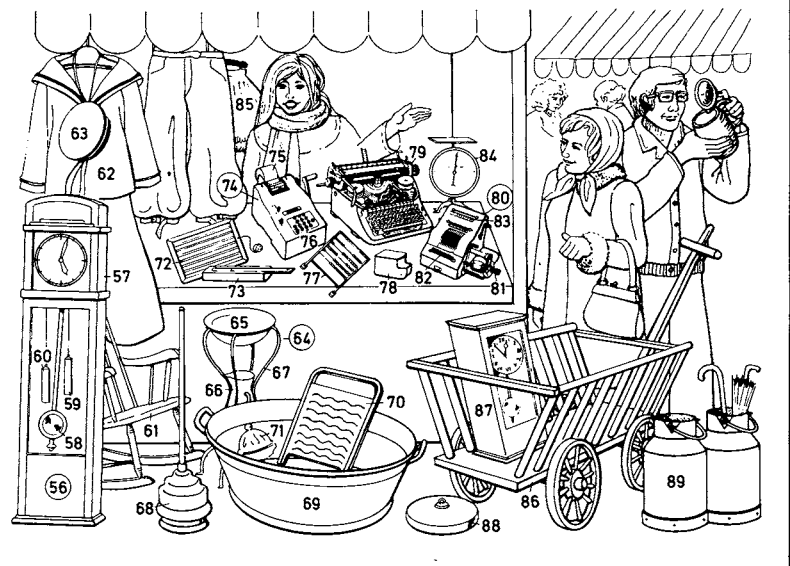
- 21 dragon
- 22 monster
- 23 beer marquee
- 24 sideshow
- 25-28 travelling (*Am.* traveling) artistes (travelling show people)
- 25 fire eater
- 26 sword swallower
- 27 strong man
- 28 escapologist
- 29 spectators
- 30 ice-cream vendor (ice-cream man)
- 31 ice-cream cornet, with ice cream
- 32 sausage stand
- 33 grill (*Am.* broiler)
- 34 bratwurst (grilled sausage, *Am.* broiled sausage)
- 35 sausage tongs
- 36 fortune teller
- 37 big wheel (Ferris wheel)
- 38 orchestion (automatic organ), an automatic musical instrument
- 39 scenic railway (switchback)

- 40 toboggan slide (chute)
- 41 swing boats
- 42 swing boat, turning full circle
- 43 full circle
- 44 lottery booth (tombola booth)
- 45 wheel of fortune
- 46 devil's wheel (typhoon wheel)
- 47 throwing ring (quoit)
- 48 prizes
- 49 sandwich man on stilts
- 50 sandwich board (placard)
- 51 cigarette seller, an itinerant trader (a hawker)
- 52 tray
- 53 fruit stall
- 54 wall-of-death rider
- 55 hall of mirrors
- 56 concave mirror
- 57 convex mirror
- 58 shooting gallery
- 59 giant swing boat
- 60 junk stalls (second-hand stalls)
- 61 first aid tent (first aid post)

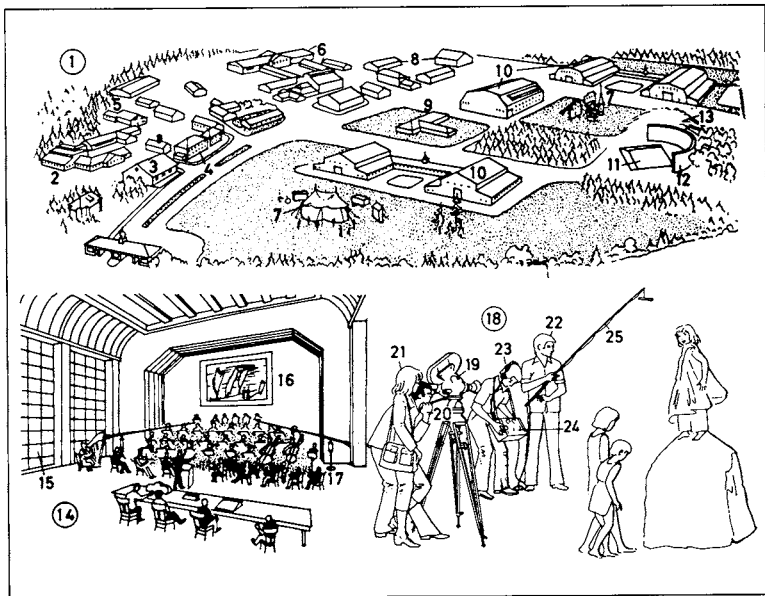
- 62 dodgems (bumper cars)
- 63 dodgem (bumper car)
- 64-66 pottery stand
- 64 barker
- 65 market woman
- 66 pottery
- 67 visitors to the fair
- 68 waxworks
- 69 wax figure



- | | |
|--|--|
| 1 treadle sewing machine | 23 crystal detector (crystal set) |
| 2 flower vase | 24 headphones (headset) |
| 3 wall mirror | 25 folding camera |
| 4 cylindrical stove | 26 bellows |
| 5 stovepipe | 27 hinged cover |
| 6 stovepipe elbow | 28 spring extension |
| 7 stove door | 29 salesman |
| 8 stove screen | 30 box camera |
| 9 coal scuttle | 31 gramophone |
| 10 firewood basket | 32 record (gramophone record) |
| 11 doll | 33 needle head with gramophone needle |
| 12 teddy bear | 34 horn |
| 13 barrel organ | 35 gramophone box |
| 14 orchestron | 36 record rack |
| 15 metal disc (disk) | 37 portable tape recorder |
| 16 radio (radio set, <i>joc.</i> : 'steam radio'),
a superheterodyne (superhet) | 38 flashgun |
| 17 baffle board | 39 flash bulb |
| 18 'magic eye', a tuning indicator valve | 40, 41 electronic flash (electronic flash-
gun) |
| 19 loudspeaker aperture | 40 flash head |
| 20 station selector buttons (station
preset buttons) | 41 accumulator |
| 21 tuning knob | 42 slide projector |
| 22 frequency bands | 43 slide holder |
| | 44 lamphouse |



- | | |
|--|--|
| 45 candlestick | 70 washboard |
| 46 scallop shell | 71 humming top |
| 47 cutlery | 72 slate |
| 48 souvenir plate | 73 pencil box |
| 49 drying rack for photographic plates | 74 adding machine |
| 50 photographic plate | 75 paper roll |
| 51 delayed-action release | 76 number keys |
| 52 tin soldiers (<i>sim.</i> : lead soldiers) | 77 abacus |
| 53 beer mug (stein) | 78 inkwell, with lid |
| 54 bugle | 79 typewriter |
| 55 second-hand books | 80 [hand-operated] calculating
machine (calculator) |
| 56 grandfather clock | 81 operating handle |
| 57 clock case | 82 result register (product register) |
| 58 pendulum | 83 rotary counting mechanism (rotary
counter) |
| 59 time weight | 84 kitchen scales |
| 60 striking weight | 85 waist slip (underskirt) |
| 61 rocking chair | 86 wooden handcart |
| 62 sailor suit | 87 wall clock |
| 63 sailor's hat | 88 bed warmer |
| 64 washing set | 89 milk churn |
| 65 washing basin | |
| 66 water jug | |
| 67 washstand | |
| 68 dolly | |
| 69 washtub | |



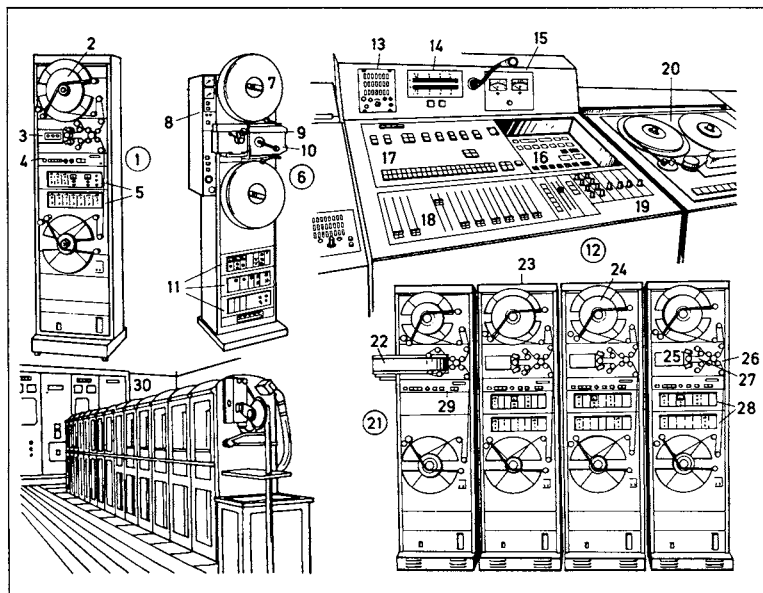
- 1-13 film studios** (studio complex, *Am.* movie studios)
1 lot (studio lot)
2 processing laboratories (film laboratories, motion picture laboratories)
3 cutting rooms
4 administration building (office building, offices)
5 film (motion picture) storage vault (film library, motion picture library)
6 workshop
7 film set (*Am.* movie set)
8 power house
9 technical and research laboratories
10 groups of stages
11 concrete tank for marine sequences
12 cyclorama
13 hill
14-60 shooting (filming)
14 music recording studio (music recording theatre, *Am.* theater)
15 'acoustic' wall lining

- 16** screen (projection screen)
17 film orchestra
18 exterior shooting (outdoor shooting, exterior filming, outdoor filming)
19 camera with crystal-controlled drive
20 cameraman
21 assistant director
22 boom operator (boom swinger)
23 recording engineer (sound recordist)
24 portable sound recorder with crystal-controlled drive
25 microphone boom
26-60 shooting (filming) in the studio (on the sound stage, on the stage, in the filming hall)
26 production manager
27 leading lady (film actress, film star, star)
28 leading man (film actor, film star, star)
29 film extra (extra)
30 arrangement of microphones for stereo and sound effects



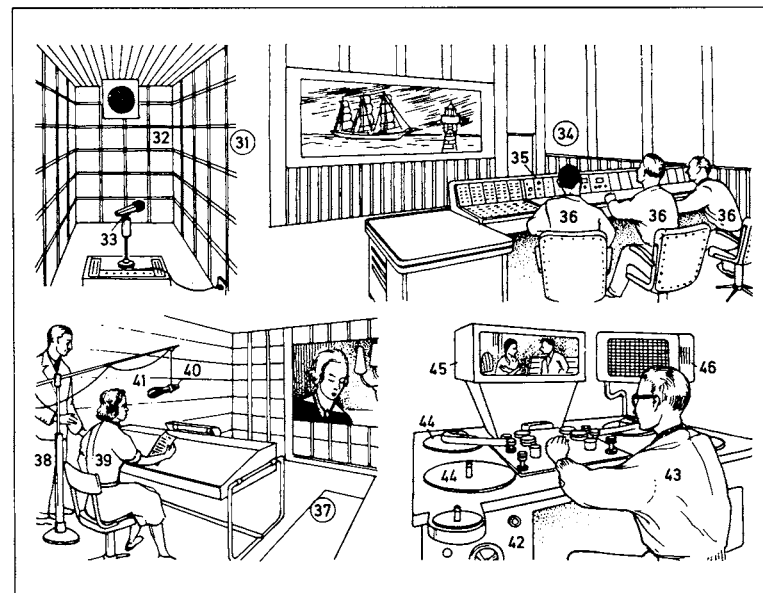
- 31** studio microphone
32 microphone cable
33 side flats and background
34 clapper boy
35 clapper board (clapper) with slates (boards) for the film title, shot number (scene number), and take number
36 make-up artist (hairstylist)
37 lighting electrician (studio electrician, lighting man, *Am.* gaffer)
38 diffusing screen
39 continuity girl (script girl)
40 film director (director)
41 cameraman (first cameraman)
42 camera operator, an assistant cameraman (camera assistant)
43 set designer (art director)
44 director of photography
45 filmscript (script, shooting script, *Am.* movie script)
46 assistant director
47 soundproof film camera (soundproof motion picture camera), a wide screen camera (cinemascope camera)

- 48** soundproof housing (soundproof cover, blimp)
49 camera crane (dolly)
50 hydraulic stand
51 mask (screen) for protection from spill light (gobo)
52 tripod spotlight (fill-in light, filler light, fill light, filler)
53 spotlight catwalk
54 recording room
55 recording engineer (sound recordist)
56 mixing console (mixing desk)
57 sound assistant (assistant sound engineer)
58 magnetic sound recording equipment (magnetic sound recorder)
59 amplifier and special effects equipment, e.g. for echo and sound effects
60 sound recording camera (optical sound recorder)

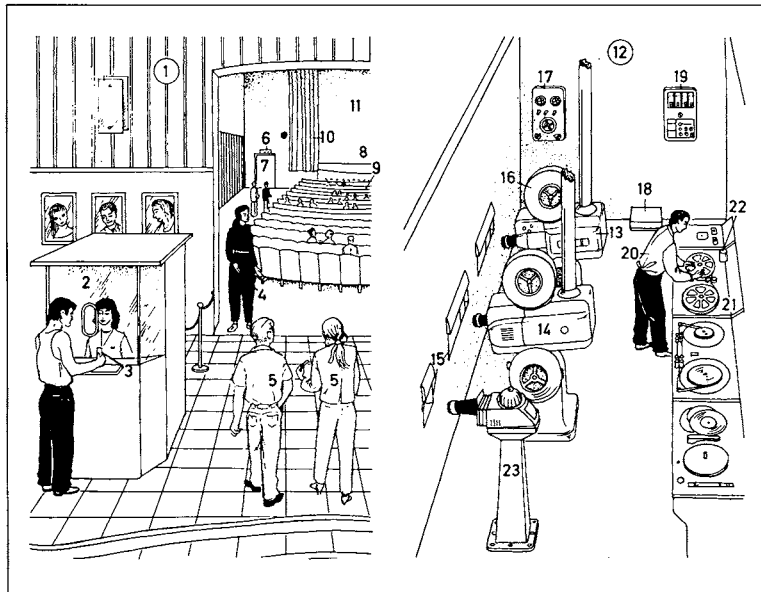


1-46 sound recording and re-recording (dubbing)

- 1 magnetic sound recording equipment (magnetic sound recorder)
- 2 magnetic film spool
- 3 magnetic head support assembly
- 4 control panel
- 5 magnetic sound recording and playback amplifier
- 6 optical sound recorder (sound recording camera, optical sound recording equipment)
- 7 daylight film magazine
- 8 control and monitoring panel
- 9 eyepiece for visual control of optical sound recording
- 10 deck
- 11 recording amplifier and mains power unit
- 12 control desk (control console)
- 13 monitoring loudspeaker (control loudspeaker)
- 14 recording level indicators
- 15 monitoring instruments
- 16 jack panel
- 17 control panel
- 18 sliding control
- 19 equalizer
- 20 magnetic sound deck
- 21 mixer for magnetic film
- 22 film projector
- 23 recording and playback equipment
- 24 film reel (film spool)
- 25 head support assembly for the recording head, playback head, and erase head
- 26 film transport mechanism
- 27 synchronizing filter
- 28 magnetic sound amplifier
- 29 control panel
- 30 film-processing machines (film-developing machines) in the processing laboratory (film laboratory, motion picture laboratory)



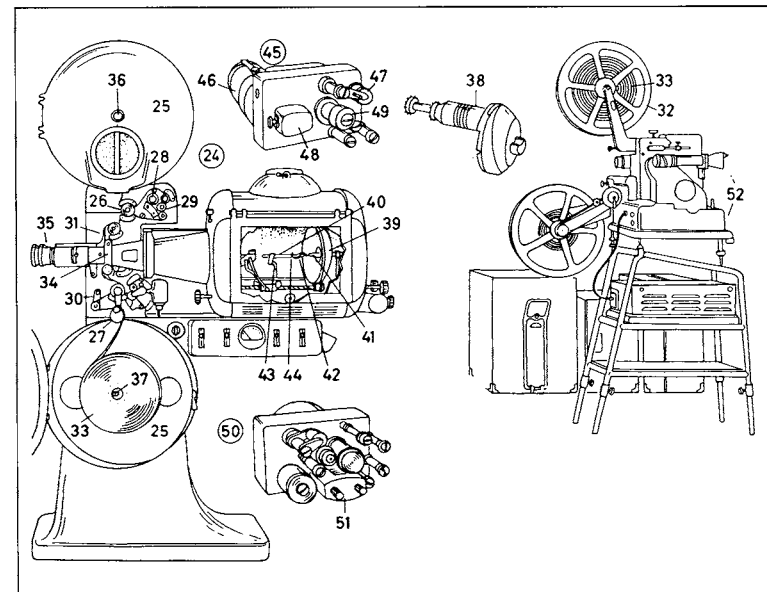
- 31 echo chamber
- 32 echo chamber loudspeaker
- 33 echo chamber microphone
- 34-36 sound mixing (sound dubbing, mixing of several sound tracks)
- 34 mixing room (dubbing room)
- 35 mixing console (mixing desk) for mono or stereo sound
- 36 dubbing mixers (recording engineers, sound recordists) dubbing (mixing)
- 37-41 synchronization (syncing, dubbing, post-synchronization, post-syncing)
- 37 dubbing studio (dubbing theatre, *Am.* theater)
- 38 dubbing director
- 39 dubbing speaker (dubbing actress)
- 40 boom microphone
- 41 microphone cable
- 42-46 cutting (editing)
- 42 cutting table (editing table, cutting bench)
- 43 film editor (cutter)
- 44 film turntables for picture and sound tracks
- 45 projection of the picture
- 46 loudspeaker



1-23 film projection (motion picture projection)

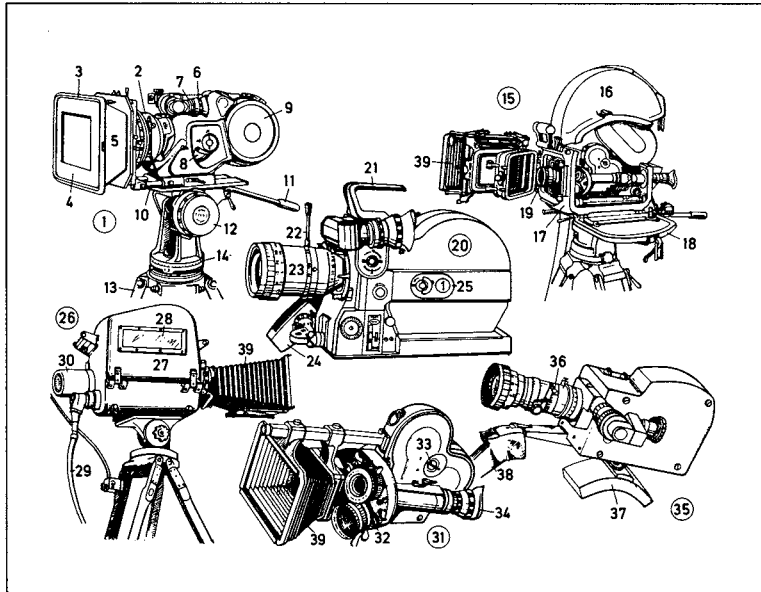
- 1 cinema (picture house, *Am.* movie theater, movie house)
 2 cinema box office (*Am.* movie theater box office)
 3 cinema ticket (*Am.* movie theater ticket)
 4 usherette
 5 cinemagoers (filmgoers, cinema audience, *Am.* moviegoers, movie audience)
 6 safety lighting (emergency lighting)
 7 emergency exit
 8 stage
 9 rows of seats (rows)
 10 stage curtain (screen curtain)
 11 screen (projection screen)
 12 projection room (projection booth)
 13 lefthand projector
 14 righthand projector
 15 projection room window with projection window and observation port

- 16 reel drum (spool box)
 17 house light dimmers (auditorium lighting control)
 18 rectifier, a selenium or mercury vapour rectifier for the projection lamps
 19 amplifier
 20 projectionist
 21 rewind bench for rewinding the film
 22 film cement (splicing cement)
 23 slide projector for advertisements
- 24-52 film projectors**
 24 sound projector (film projector, cinema projector, theatre projector, *Am.* movie projector)
 25-38 projector mechanism
 25 fireproof reel drums (spool boxes) with circulating oil cooling system
 26 feed sprocket (supply sprocket)
 27 take-up sprocket
 28 magnetic head cluster
 29 guide roller (guiding roller) with framing control



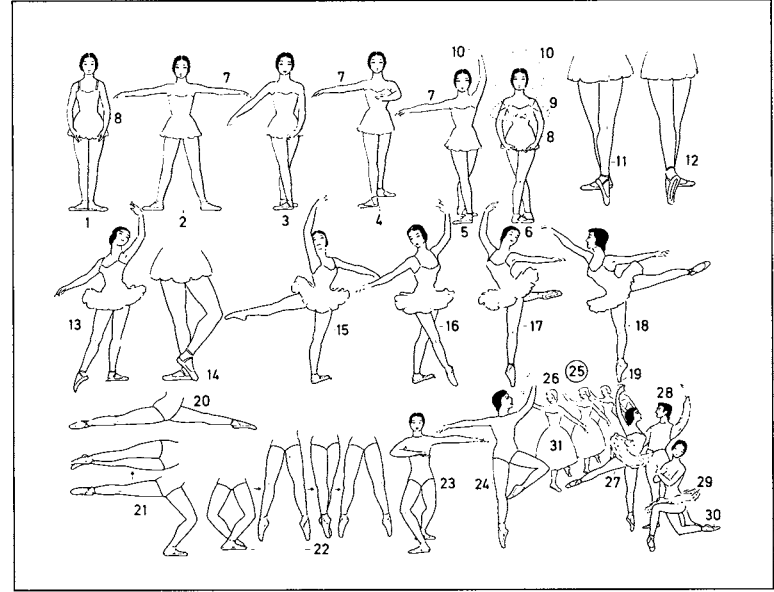
- 30 loop former for smoothing out the intermittent movement; *also:* film break detector
 31 film path
 32 film reel (film spool)
 33 reel of film
 34 film gate (picture gate, projector gate) with cooling fan
 35 projection lens (projector lens)
 36 feed spindle
 37 take-up spindle with friction drive
 38 maltese cross mechanism (maltese cross movement, Geneva movement)
 39-44 lamphouse
 39 mirror arc lamp, with aspherical (non-spherical) concave mirror and blowout magnet for stabilizing the arc (*also:* high-pressure xenon arc lamp)
 40 positive carbon (positive carbon rod)

- 41 negative carbon (negative carbon rod)
 42 arc
 43 carbon rod holder
 44 crater (carbon crater)
 45 optical sound unit [also designed for multi-channel optical stereophonic sound and for push-pull sound tracks]
 46 sound optics
 47 sound head
 48 exciter lamp in housing
 49 photocell in hollow drum
 50 attachable four-track magnetic sound unit (penthouse head, magnetic sound head)
 51 four-track magnetic head
 52 narrow-gauge (*Am.* narrow-gage) cinema projector for mobile cinema



1-39 motion picture cameras (film cameras)

- 1** standard-gauge (*Am.* standard-gauge) motion picture camera (standard-gauge, *Am.* standard-gauge, 35 mm camera)
2 lens (object lens, taking lens)
3 lens hood (sunshade) with matte box
4 matte (mask)
5 lens hood barrel
6 viewfinder eyepiece
7 eyepiece control ring
8 opening control for the segment disc (disk) shutter
9 magazine housing
10 slide bar for the lens hood
11 control arm (control lever)
12 pan and tilt head
13 wooden tripod
14 degree scale
15 soundproof (blimped) motion picture camera (film camera)
16-18 soundproof housing (blimp)
16 upper section of the soundproof housing
17 lower section of the soundproof housing
18 open sidewall of the soundproof housing
19 camera lens
20 lightweight professional motion picture camera
21 grip (handgrip)
22 zooming lever
23 zoom lens (variable focus lens, varifocal lens) with infinitely variable focus
24 handgrip with shutter release
25 camera door
26 sound camera (newsreel camera) for recording sound and picture
27 soundproof housing (blimp)
28 window for the frame counters and indicator scales
29 pilot tone cable (sync pulse cable)
30 pilot tone generator (signal generator, pulse generator)
31 professional narrow-gauge (*Am.* narrow-gauge) motion picture camera, a 16 mm camera
32 lens turret (turret head)
33 housing lock
34 eyecup
35 high-speed camera, a special narrow-gauge (*Am.* narrow-gauge) camera
36 zooming lever
37 rifle grip
38 handgrip with shutter release
39 lens hood bellows



1-6 the five positions (ballet positions)

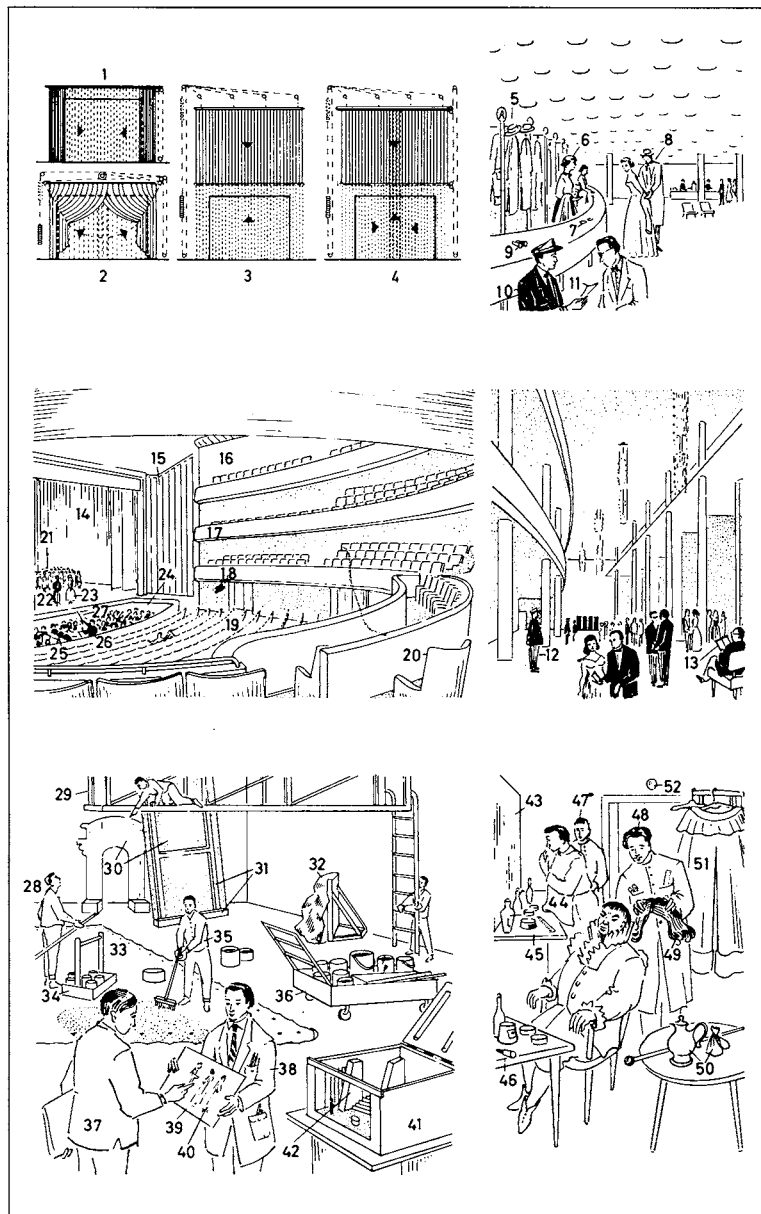
- 1** first position
2 second position
3 third position
4 fourth position [open]
5 fourth position [crossed; extended fifth position]
6 fifth position
7-10 ports de bras (arm positions)
7 port de bras à côté
8 port de bras en bas
9 port de bras en avant
10 port de bras en haut
11 dégagé à la quatrième devant
12 dégagé à la quatrième derrière
13 effacé
14 sur le cou-de-pied
15 écarté
16 croisé
17 attitude
18 arabesque
19 à pointe (on full point)
20 splits
21 cabriole (capriole)
22 entrechat (entrechat quatre)
23 préparation [e.g. for a pirouette]
24 pirouette
25 corps de ballet
26 ballet dancer (ballerina)
27, 28 pas de trois
27 prima ballerina
28 principal male dancer (leading soloist)
29 tutu
30 point shoe, a ballet shoe (ballet slipper)
31 ballet skirt

1-4 types of curtain operation

- 1 draw curtain (side parting)
- 2 tableau curtain (bunching up side-ways)
- 3 fly curtain (vertical ascent)
- 4 combined fly and draw curtain
- 5-11 cloakroom hall** (*Am. checkroom hall*)
- 5 cloakroom (*Am. checkroom*)
- 6 cloakroom attendant (*Am. checkroom attendant*)
- 7 cloakroom ticket (*Am. check*)
- 8 playgoer (theatregoer, *Am. theatergoer*)
- 9 opera glass (opera glasses)
- 10 commissioner
- 11 theatre (*Am. theater*) ticket, an admission ticket
- 12, 13 foyer** (lobby, crush room)
- 12 usher; *form.:* box attendant
- 13 programme (*Am. program*)
- 14-27 auditorium and stage**

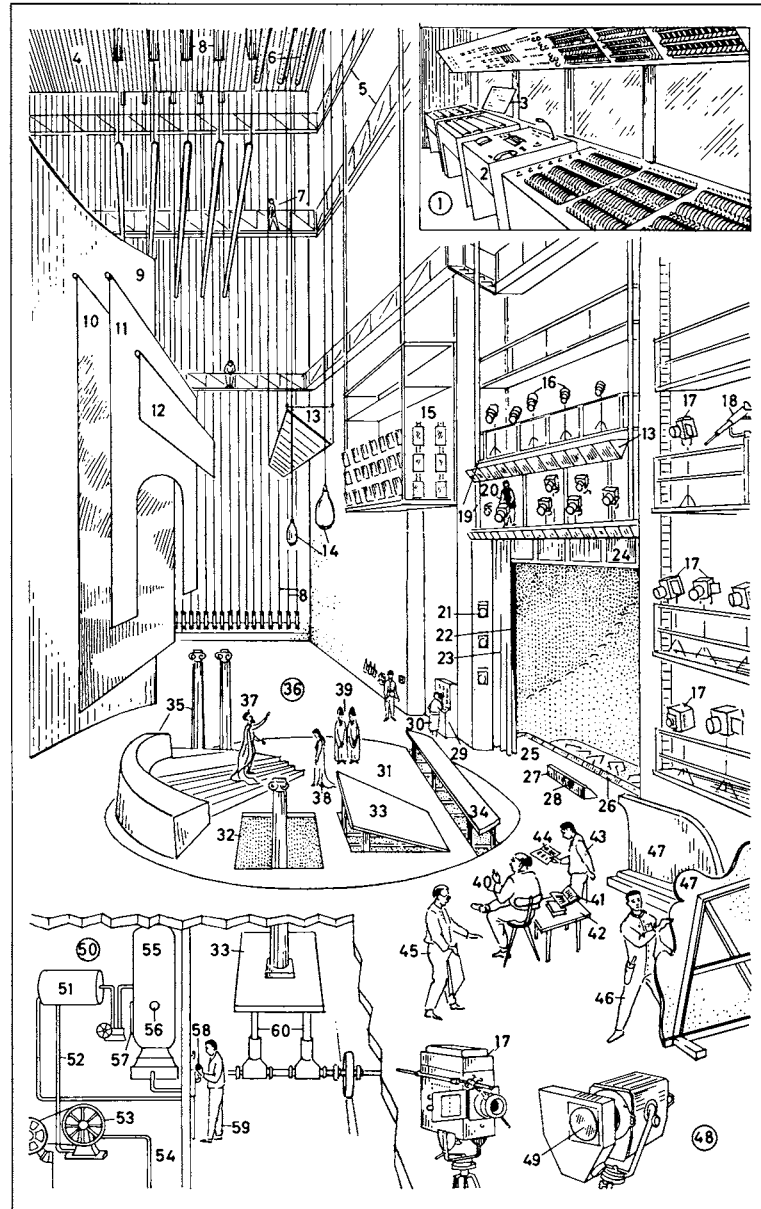
- 14 stage
- 15 proscenium
- 16-20 auditorium**
- 16 gallery (balcony)
- 17 upper circle
- 18 dress circle (*Am. balcony, mezzanine*)
- 19 front stalls
- 20 seat (theatre seat, *Am. theater seat*)
- 21-27 rehearsal** (stage rehearsal)
- 21 chorus
- 22, 23 singer
- 24 orchestra pit
- 25 orchestra
- 26 conductor
- 27 baton (conductor's baton)
- 28-42 paint room**, a workshop
- 28 stagehand (scene shifter)
- 29 catwalk (bridge)
- 30 set piece
- 31 reinforcing struts
- 32 built piece (built unit)
- 33 backcloth (backdrop)
- 34 portable box for paint containers

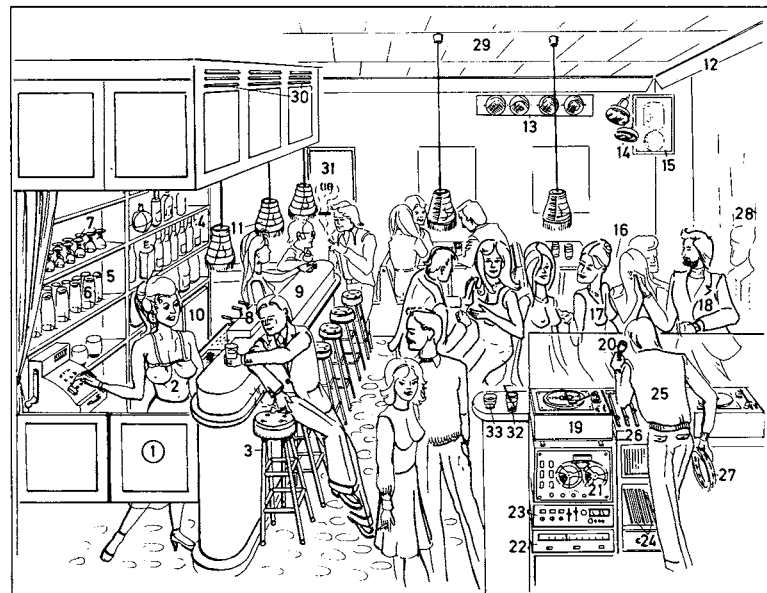
- 35 scene painter
- 36 paint trolley
- 37 stage designer (set designer)
- 38 costume designer
- 39 design for a costume
- 40 sketch for a costume
- 41 model stage
- 42 model of the set
- 43-52 dressing room**
- 43 dressing room mirror
- 44 make-up gown
- 45 make-up table
- 46 greasepaint stick
- 47 chief make-up artist (chief make-up man)
- 48 make-up artist (hairstylist)
- 49 wig
- 50 props (properties)
- 51 theatrical costume
- 52 call light



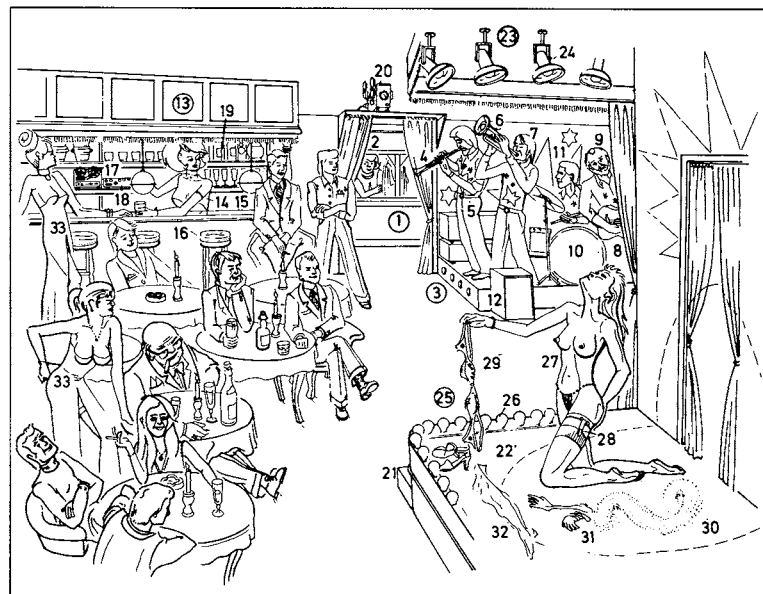
- 1-60 stagehouse with machinery**
(machinery in the flies and below stage)
- 1 control room
 - 2 control console (lighting console, lighting control console) with pre-set control for presetting lighting effects
 - 3 lighting plot (light plot)
 - 4 grid (gridiron)
 - 5 fly floor (fly gallery)
 - 6 sprinkler system for fire prevention (for fire protection)
 - 7 fly man
 - 8 fly lines (lines)
 - 9 cyclorama
 - 10 backcloth (backdrop, background)
 - 11 arch, a drop cloth
 - 12 border
 - 13 compartment (compartment-type, compartmentalized) batten (*Am.* border light)
 - 14 stage lighting units (stage lights)
 - 15 horizon lights (backdrop lights)
 - 16 adjustable acting area lights (acting area spotlights)
 - 17 scenery projectors (projectors)
 - 18 monitor (water cannon) (piece of safety equipment)
 - 19 travelling (*Am.* traveling) lighting bridge (travelling lighting gallery)
 - 20 lighting operator (lighting man)
 - 21 portal spotlight (tower spotlight)
 - 22 adjustable proscenium
 - 23 curtain (theatrical curtain)
 - 24 iron curtain (safety curtain, fire curtain)
 - 25 forestage (apron)
 - 26 footlight (footlights, floats)
 - 27 prompt box
 - 28 prompter
 - 29 stage manager's desk
 - 30 stage director (stage manager)
 - 31 revolving stage
 - 32 trap opening
 - 33 lift (*Am.* elevator)
 - 34 bridge (*Am.* elevator), a rostrum

- 35 pieces of scenery
- 36 scene
- 37 actor
- 38 actress
- 39 extras (supers, supernumeraries)
- 40 director (producer)
- 41 prompt book (prompt script)
- 42 director's table (producer's table)
- 43 assistant director (assistant producer)
- 44 director's script (producer's script)
- 45 stage carpenter
- 46 stagehand (scene shifter)
- 47 set piece
- 48 mirror spot (mirror spotlight)
- 49 automatic filter change (with colour filters, colour mediums, gelatines)
- 50 hydraulic plant room
- 51 water tank
- 52 suction pipe
- 53 hydraulic pump
- 54 pressure pipe
- 55 pressure tank (accumulator)
- 56 pressure gauge (*Am.* gage)
- 57 level indicator (liquid level indicator)
- 58 control lever
- 59 operator
- 60 rams





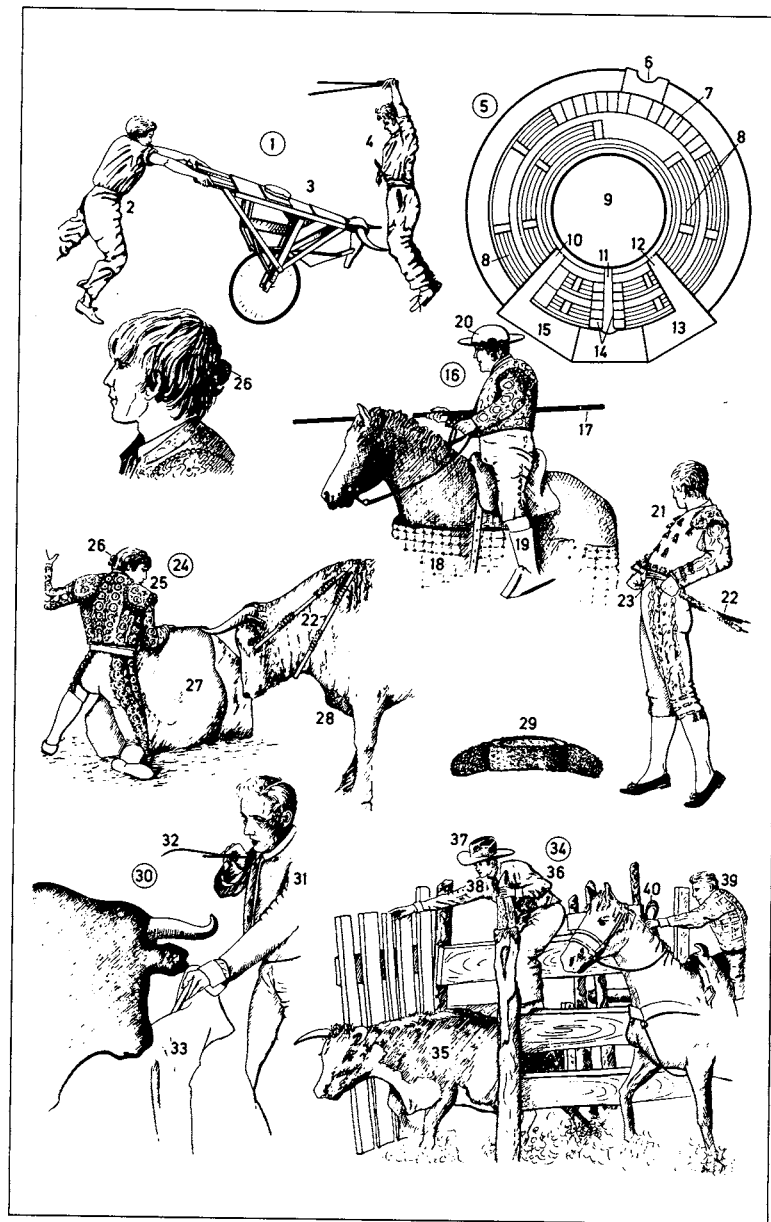
- | | |
|--|--|
| 1 bar | 22 tuner |
| 2 barmaid | 23 amplifier |
| 3 bar stool | 24 records (discs) |
| 4 shelf for bottles | 25 disc jockey |
| 5 shelf for glasses | 26 mixing console (mixing desk, mixer) |
| 6 beer glass | 27 tambourine |
| 7 wine and liqueur glasses | 28 mirrored wall |
| 8 beer tap (tap) | 29 ceiling tiles |
| 9 bar | 30 ventilators |
| 10 refrigerator (fridge, <i>Am.</i> icebox) | 31 toilets (lavatories, WC) |
| 11 bar lamps | 32 long drink |
| 12 indirect lighting | 33 cocktail (<i>Am.</i> highball) |
| 13 colour (<i>Am.</i> color) organ (clavilux) | |
| 14 dance floor lighting | |
| 15 speaker (loudspeaker) | |
| 16 dance floor | |
| 17, 18 dancing couple (dancers) | |
| 19 record player | |
| 20 microphone | |
| 21 tape recorder | |
| 22, 23 stereo system (stereo equipment) | |



- | | |
|--|--|
| 1-33 nightclub (night spot) | 21 box containing screen |
| 1 cloakroom (<i>Am.</i> checkroom) | 22 stage |
| 2 cloakroom attendant (<i>Am.</i> checkroom attendant) | 23 stage lighting |
| 3 band | 24 spotlight |
| 4 clarinet | 25 festoon lighting |
| 5 clarinetist (<i>Am.</i> clarinetist) | 26 festoon lamp (lamp, light bulb) |
| 6 trumpet | 27-32 striptease act (striptease number) |
| 7 trumpeter | 27 striptease artist (stripper) |
| 8 guitar | 28 suspender (<i>Am.</i> garter) |
| 9 guitarist (guitar player) | 29 brassière (bra) |
| 10 drums | 30 fur stole |
| 11 drummer | 31 gloves |
| 12 speaker (loudspeaker) | 32 stocking |
| 13 bar | 33 hostess |
| 14 barmaid | |
| 15 bar | |
| 16 bar stool | |
| 17 tape recorder | |
| 18 receiver | |
| 19 spirits | |
| 20 cine projector for porno films (sex films, blue movies) | |

1-33 bullfight (corrida, corrida de toros)

- 1 mock bullfight
- 2 novice (aspirant matador, novillero)
- 3 mock bull (dummy bull)
- 4 novice banderillero (apprentice banderillero)
- 5 bullring (plaza de toros) [diagram]
- 6 main entrance
- 7 boxes
- 8 stands
- 9 arena (ring)
- 10 bullfighters' entrance
- 11 torril door
- 12 exit gate for killed bulls
- 13 slaughterhouse
- 14 bull pens (corrals)
- 15 paddock
- 16 lancer on horseback (picador)
- 17 lance (pike pole, javelin)
- 18 armoured (*Am.* armored) horse
- 19 leg armour (*Am.* armor)
- 20 picador's round hat
- 21 banderillero, a torero
- 22 banderillas (barbed darts)
- 23 shirtwaist
- 24 bullfight
- 25 matador (swordsman), a torero
- 26 queue, a distinguishing mark of the matador
- 27 red cloak (capa)
- 28 fighting bull
- 29 montera [hat made of tiny black silk chenille balls]
- 30 killing the bull (kill, estocada)
- 31 matador in charity performances [without professional uniform]
- 32 estoque (sword)
- 33 muleta
- 34 rodeo
- 35 young bull
- 36 cowboy
- 37 stetson (stetson hat)
- 38 scarf (necktie)
- 39 rodeo rider
- 40 lasso



1, 2 medieval (mediaeval) notes

1 plainsong notation (neumes, neums, pneumes, square notation)

2 mensural notation

3-7 musical note (note)

3 note head

4 note stem (note tail)

5 hook

6 stroke

7 dot indicating augmentation of note's value

8-11 clefs

8 treble clef (G-clef, violin clef)

9 bass clef (F-clef)

10 alto clef (C-clef)

11 tenor clef

12-19 note values

12 breve (brevis, *Am.* double-whole note)

13 semibreve (*Am.* whole note)

14 minim (*Am.* half note)

15 crotchet (*Am.* quarter note)

16 quaver (*Am.* eighth note)

17 semiquaver (*Am.* sixteenth note)

18 demisemiquaver (*Am.* thirty-second note)

19 hemidemisemiquaver (*Am.* sixty-fourth note)

20-27 rests

20 breve rest

21 semibreve rest (*Am.* whole rest)

22 minim rest (*Am.* half rest)

23 crotchet rest (*Am.* quarter rest)

24 quaver rest (*Am.* eighth rest)

25 semiquaver rest (*Am.* sixteenth rest)

26 demisemiquaver rest (*Am.* thirty-second rest)

27 hemidemisemiquaver rest (*Am.* sixty-fourth rest)

28-42 time (time signatures, measure, *Am.* meter)

28 two-eight time

29 two-four time

30 two-two time

31 four-eight time

32 four-four time (common time)

33 four-two time

34 six-eight time

35 six-four time

36 three-eight time

37 three-four time

38 three-two time

39 nine-eight time

40 nine-four time

41 five-four time

42 bar (bar line, measure line)

43, 44 staff (stave)

43 line of the staff

44 space

45-49 scales

45 C major scale naturals: c, d, e, f, g, a, b, c

46 A minor scale [natural] naturals: a, b, c, d, e, f, g, a

47 A minor scale [harmonic]

48 A minor scale [melodic]

49 chromatic scale

50-54 accidentals (inflections, key signatures)

50, 51 signs indicating the raising of a note

50 sharp (raising the note a semitone or half-step)

51 double sharp (raising the note a tone or full-step)

52, 53 signs indicating the lowering of a note

52 flat (lowering the note a semitone or half-step)

53 double flat (lowering the note a tone or full-step)

54 natural

55-68 keys (major keys and the related minor keys having the same signature)

55 C major (A minor)

56 G major (E minor)

57 D major (B minor)

58 A major (F sharp minor)

59 E major (C sharp minor)

60 B major (G sharp minor)

61 F sharp major (D sharp minor)

62 C major (A minor)

63 F major (D minor)

64 B flat major (G minor)

65 E flat major (C minor)

66 A flat major (F minor)

67 D flat major (B flat minor)

68 G flat major (E flat minor)

The image displays a musical score for the hymn "Magni - fi - cat Nu kom der heidē Heiland," illustrating various musical notations and key signatures. The score is presented in multiple systems, each with a numbered measure (1-68). The first system shows the title and the first few measures in treble clef. The second system shows measures 8-27 in bass clef. The third system shows measures 28-41 in treble clef. The fourth system shows measures 42-47 in treble clef. The fifth system shows measures 48-49 in treble clef. The sixth system shows measures 50-54 in treble clef. The seventh system shows measures 55-61 in treble clef. The eighth system shows measures 62-68 in treble clef. The score includes various musical notations such as clefs, time signatures, note values, rests, accidentals, and key signatures.

- 1-5 chord
- 1-4 triad
- 1 major triad
- 2 minor triad
- 3 diminished triad
- 4 augmented triad
- 5 chord of four notes, a chord of the seventh (seventh chord, dominant seventh chord)
- 6-13 intervals
- 6 unison (unison interval)
- 7 major second
- 8 major third
- 9 perfect fourth
- 10 perfect fifth
- 11 major sixth
- 12 major seventh
- 13 perfect octave
- 14-22 ornaments (graces, grace notes)
- 14 long appoggiatura
- 15 acciaccatura (short appoggiatura)
- 16 slide
- 17 trill (shake) without turn
- 18 trill (shake) with turn
- 19 upper mordent (inverted mordent, pralltriller)
- 20 lower mordent (mordent)
- 21 turn
- 22 arpeggio
- 23-26 other signs in musical notation
- 23 triplet; *corresponding groupings*: duplet (couplet), quadruplet, quintuplet, sextolet (sextuplet), septolet (septuplet, septimole)
- 24 tie (bind)
- 25 pause (pause sign)
- 26 repeat mark
- 27-41 expression marks (signs of relative intensity)
- 27 marcato (marcando, markiert, attack, strong accent)
- 28 presto (quick, fast)
- 29 portato (lourer, mezzo staccato, carried)
- 30 tenuto (held)
- 31 crescendo (increasing gradually in power)

- 32 decrescendo (diminuendo, decreasing or diminishing gradually in power)
- 33 legato (bound)
- 34 staccato (detached)
- 35 piano (soft)
- 36 pianissimo (very soft)
- 37 pianissimo piano (as soft as possible)
- 38 forte (loud)
- 39 fortissimo (very loud)
- 40 forte fortissimo (double fortissimo, as loud as possible)
- 41 forte piano (loud and immediately soft again)
- 42-50 divisions of the compass
- 42 subcontra octave (double contra octave)
- 43 contra octave
- 44 great octave
- 45 small octave
- 46 one-line octave
- 47 two-line octave
- 48 three-line octave
- 49 four-line octave
- 50 five-line octave

28 Presto

p *pp* *ppp* *f* *ff* *fff* *fp*

35 36 37 38 39 40 41

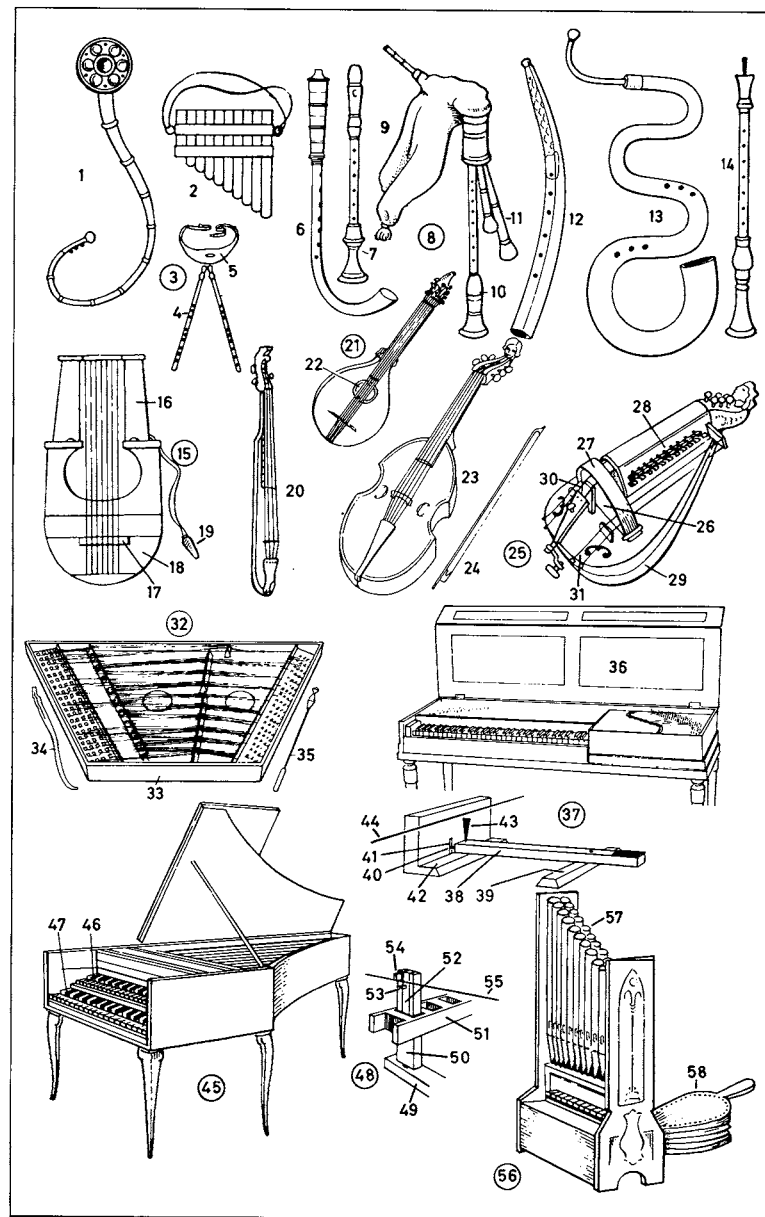
8va sopra

8va bassa

$2A_2B_2H_1C$ usw $1HCHc h c^1 h^1c^2h^2c^3h^3c^4h^4c^5$
in Britain:
 $A_2B_{1/2}B_2C_1$ etc. $B_1CBc b c' b' c'' b'' c''' b''' c''''$

- 1 lur, a bronze trumpet
- 2 panpipes (Pandean pipes, syrinx)
- 3 aulos, a double shawm
- 4 aulos pipe
- 5 phorbeia (peristomion, capistrum, mouth band)
- 6 crumhorn (crumhorn, cromorne, krumhorn, krummhorn)
- 7 recorder (fipple flute)
- 8 bagpipe; *sim.*: musette
- 9 bag
- 10 chanter (melody pipe)
- 11 drone (drone pipe)
- 12 curved cornett (zink)
- 13 serpent
- 14 shawm (schalmeyes); *larger*: bombard (bombarde, pommer)
- 15 cythara (cithara); *sim. and smaller*: lyre
- 16 arm
- 17 bridge
- 18 sound box (resonating chamber, resonator)
- 19 plectrum, a plucking device
- 20 kit (pochette), a miniature violin
- 21 cittern (cithern, cither, cister, citole), a plucked instrument; *sim.*: pandora (bandora, bandore)
- 22 sound hole
- 23 viol (descant viol, treble viol, a viola da gamba); *larger*: tenor viol, bass viol (viola da gamba, gamba), violone (double bass viol)
- 24 viol bow
- 25 hurdy-gurdy (vielle à roue, symphonia, armonie, organistrum)
- 26 friction wheel
- 27 wheel cover (wheel guard)
- 28 keyboard (keys)
- 29 resonating body (resonator, sound box)
- 30 melody strings
- 31 drone strings (drones, bourdons)
- 32 dulcimer
- 33 rib (resonator wall)
- 34 beater for the Valasian dulcimer

- 35 hammer (stick) for the Appenzell dulcimer
- 36 clavichord; *kinds*: fretted or unfretted clavichord
- 37 clavichord mechanism
- 38 key (key lever)
- 39 balance rail
- 40 guiding blade
- 41 guiding slot
- 42 resting rail
- 43 tangent
- 44 string
- 45 harpsichord (clavicembalo, cembalo), a wing-shaped stringed keyboard instrument; *sim.*: spinet (virginal)
- 46 upper keyboard (upper manual)
- 47 lower keyboard (lower manual)
- 48 harpsichord mechanism
- 49 key (key lever)
- 50 jack
- 51 slide (register)
- 52 tongue
- 53 quill plectrum
- 54 damper
- 55 string
- 56 portative organ, a portable organ; *larger*: positive organ (positive)
- 57 pipe (flue pipe)
- 58 bellows

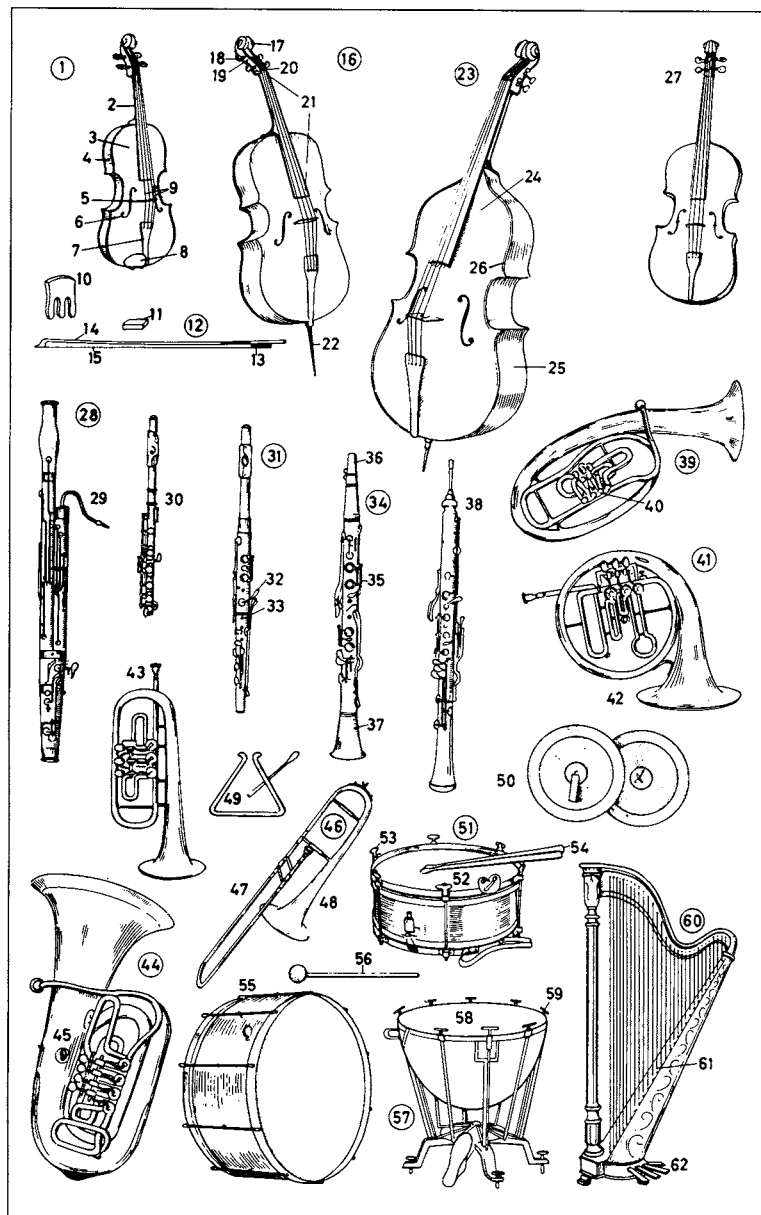


1-62 orchestral instruments

1-27 stringed instruments, bowed instruments

- 1 violin
2 neck of the violin
3 resonating body (violin body, sound box of the violin)
4 rib (side wall)
5 violin bridge
6 F-hole, a sound hole
7 tailpiece
8 chin rest
9 strings (violin strings, fiddle strings): G-string, D-string, A-string, E-string
10 mute (sordino)
11 resin (rosin, colophony)
12 violin bow (bow)
13 nut (frog)
14 stick (bow stick)
15 hair of the violin bow (horsehair)
16 violoncello (cello), a member of the da gamba violin family
17 scroll
18 tuning peg (peg)
19 pegbox
20 nut
21 fingerboard
22 spike (tailpin)
23 double bass (contrabass, violone, double bass viol, *Am.* bass)
24 belly (top, soundboard)
25 rib (side wall)
26 purfling (inlay)
27 viola
28-38 woodwind instruments (woodwinds)
28 bassoon; *larger*: double bassoon (contrabassoon)
29 tube with double reed
30 piccolo (small flute, piccolo flute, flauto piccolo)
31 flute (German flute), a cross flute (transverse flute, side-blown flute)
32 key
33 fingerhole
34 clarinet; *larger*: bass clarinet

- 35 key (brille)
36 mouthpiece
37 bell
38 oboe (hautboy); *kinds*: oboe d'amore; tenor oboes: oboe da caccia, cor anglais; heckelphone (baritone oboe)
39-48 brass instruments (brass)
39 tenor horn
40 valve
41 French horn (horn, waldhorn), a valve horn
42 bell
43 trumpet; *larger*: Bb cornet; *smaller*: cornet
44 bass tuba (tuba, bombardon); *sim.*: helicon (pellitone), contrabass tuba
45 thumb hold
46 trombone; *kinds*: alto trombone, tenor trombone, bass trombone
47 trombone slide (slide)
48 bell
49-59 percussion instruments
49 triangle
50 cymbals
51-59 membranophones
51 side drum (snare drum)
52 drum head (head, upper head, batter head, vellum)
53 tensioning screw
54 drumstick
55 bass drum (Turkish drum)
56 stick (padded stick)
57 kettledrum (timpano), a screw-tensioned drum; *sim.*: machine drum (mechanically tuned drum)
58 kettledrum skin (kettledrum vellum)
59 tuning screw
60 harp, a pedal harp
61 strings
62 pedal

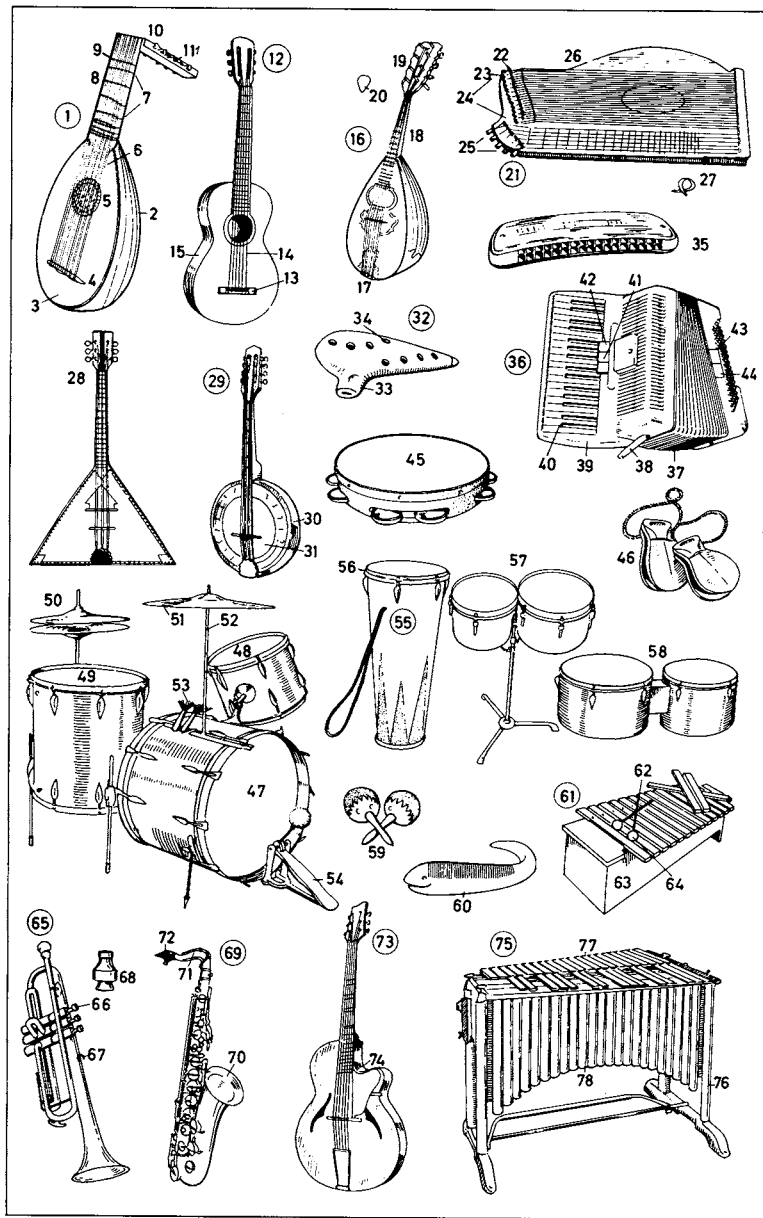


1-46 popular musical instruments (folk instruments)

1-31 stringed instruments

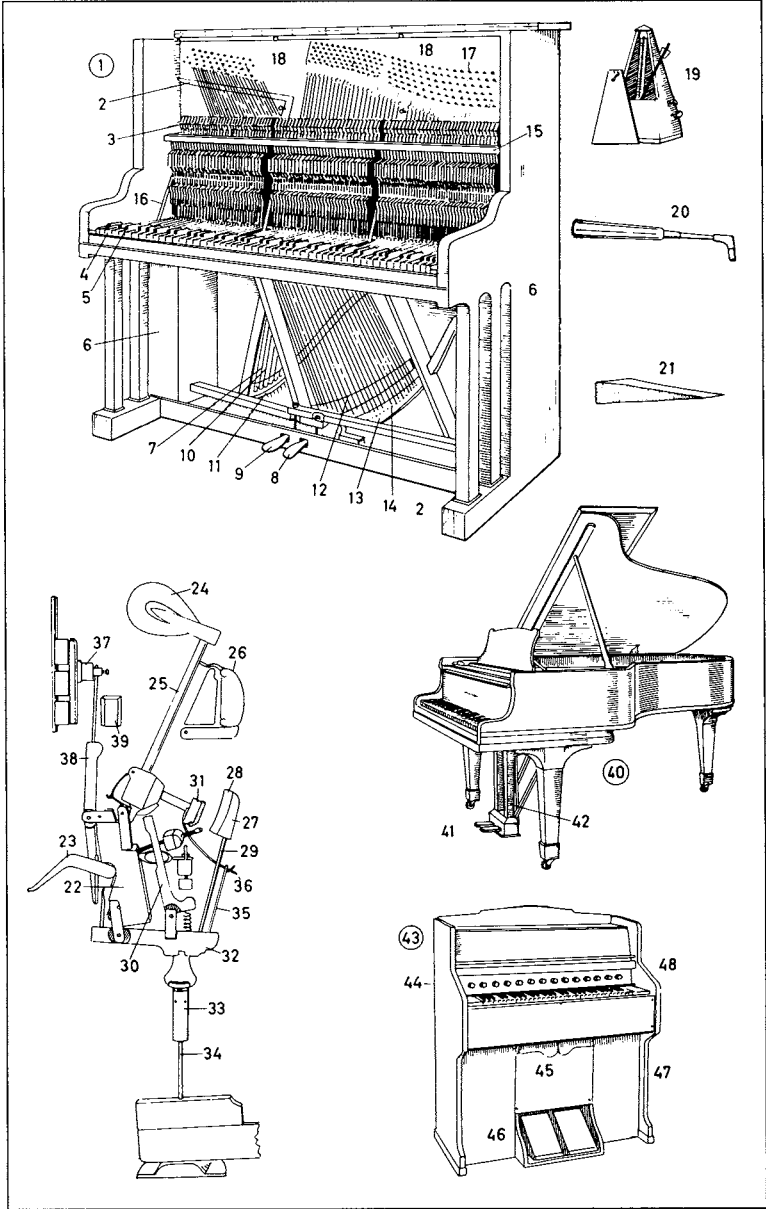
- 1 lute; *larger*: theorbo, chitarraone
 2 resonating body (resonator)
 3 soundboard (belly, table)
 4 string fastener (string holder)
 5 sound hole (rose)
 6 string, a gut (catgut) string
 7 neck
 8 fingerboard
 9 fret
 10 head (bent-back pegbox, swan-head pegbox, pegbox)
 11 tuning peg (peg, lute pin)
 12 guitar
 13 string holder
 14 string, a gut (catgut) or nylon string
 15 resonating body (resonating chamber, resonator, sound box)
 16 mandolin (mandoline)
 17 sleeve protector (cuff protector)
 18 neck
 19 pegdisc
 20 plectrum
 21 zither (plucked zither)
 22 pin block (wrest pin block, wrest plank)
 23 tuning pin (wrest pin)
 24 accompaniment strings (bass strings, unfretted strings, open strings)
 25 melody strings (fretted strings, stopped strings)
 26 semicircular projection of the resonating sound box (resonating body)
 27 ring plectrum
 28 balalaika
 29 banjo
 30 tambourine-like body
 31 parchment membrane
 32 ocarina, a globular flute
 33 mouthpiece
 34 fingerhole
 35 mouth organ (harmonica)
 36 accordion; *sim.*: piano accordion, concertina, bandoneon
 37 bellows
 38 bellows strap

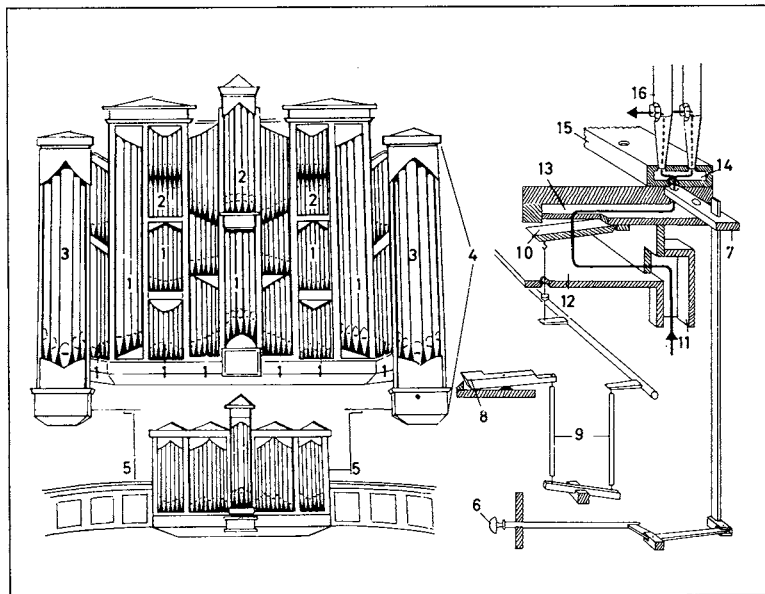
- 39 melody side (keyboard side, melody keys)
 40 keyboard (keys)
 41 treble stop (treble coupler, treble register)
 42 stop lever
 43 bass side (accompaniment side, bass studs, bass press-studs, bass buttons)
 44 bass stop (bass coupler, bass register)
 45 tambourine
 46 castanets
 47-78 jazz band instruments (dance band instruments)
 47-58 percussion instruments
 47-54 drum kit (drum set, drums)
 47 bass drum
 48 small tom-tom
 49 large tom-tom
 50 high-hat cymbals (choke cymbals, Charleston cymbals, cup cymbals)
 51 cymbal
 52 cymbal stand (cymbal holder)
 53 wire brush
 54 pedal mechanism
 55 conga drum (conga)
 56 tension hoop
 57 timbales
 58 bongo drums (bongos)
 59 maracas; *sim.*: shakers
 60 guiro
 61 xylophone; *form.*: straw fiddle; *sim.*: marimbaphone (steel marimba), tubaphone
 62 wooden slab
 63 resonating chamber (sound box)
 64 beater
 65 jazz trumpet
 66 valve
 67 finger hook
 68 mute (sordino)
 69 saxophone
 70 bell
 71 crook
 72 mouthpiece
 73 struck guitar (jazz guitar)
 74 hollow to facilitate fingering
 75 vibraphone (*Am.* vibraharp)
 76 metal frame
 77 metal bar
 78 tubular metal resonator



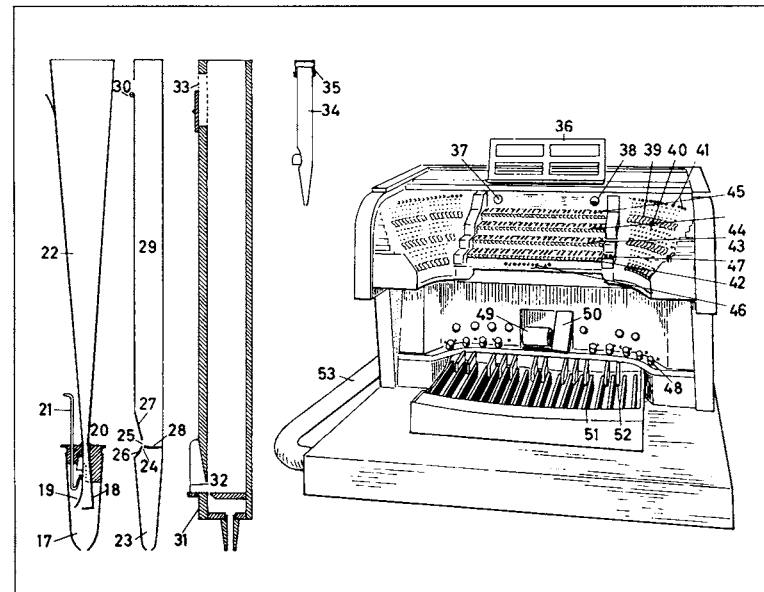
- 1 piano (pianoforte, upright piano, upright, vertical piano, spinet piano, console piano), a keyboard instrument (keyed instrument); *smaller form*: cottage piano (piano); *earlier forms*: pantaleon; celesta, with steel bars instead of strings
- 2-18 piano action (piano mechanism)
- 2 iron frame
- 3 hammer; *collectively*: striking mechanism
- 4, 5 keyboard (piano keys)
- 4 white key (ivory key)
- 5 black key (ebony key)
- 6 piano case
- 7 strings (piano strings)
- 8, 9 piano pedals
- 8 right pedal (sustaining pedal, damper pedal; *loosely*: forte pedal, loud pedal) for raising the dampers
- 9 left pedal (soft pedal; *loosely*: piano pedal) for reducing the striking distance of the hammers on the strings
- 10 treble strings
- 11 treble bridge (treble belly bridge)
- 12 bass strings
- 13 bass bridge (bass belly bridge)
- 14 hitch pin
- 15 hammer rail
- 16 brace
- 17 tuning pin (wrest pin, tuning peg)
- 18 pin block (wrest pin block, wrest plank)
- 19 metronome
- 20 tuning hammer (tuning key, wrest)
- 21 tuning wedge
- 22-39 key action (key mechanism)
- 22 beam
- 23 damper-lifting lever
- 24 felt-covered hammer head
- 25 hammer shank
- 26 hammer rail
- 27 check (back check)
- 28 check felt (back check felt)

- 29 wire stem of the check (wire stem of the back check)
- 30 sticker (hopper, hammer jack, hammer lever)
- 31 button
- 32 action lever
- 33 pilot
- 34 pilot wire
- 35 tape wire
- 36 tape
- 37 damper (damper block)
- 38 damper lifter
- 39 damper rest rail
- 40 grand piano (horizontal piano, grand, concert grand; *smaller*: baby grand piano, boudoir piano; *sim.*: square piano, table piano)
- 41 grand piano pedals; right pedal for raising the dampers; left pedal for softening the tone (shifting the keyboard so that only one string is struck 'una corda')
- 42 pedal bracket
- 43 harmonium (reed organ, melodium)
- 44 draw stop (stop, stop knob)
- 45 knee lever (knee swell, swell)
- 46 pedal (bellows pedal)
- 47 harmonium case
- 48 harmonium keyboard (manual)





- 1-52 organ** (church organ)
1-5 front view of organ (organ case)
 [built according to classical principles]
1-3 display pipes (face pipes)
1 Hauptwerk
2 Oberwerk
3 pedal pipes
4 pedal tower
5 Rückpositiv
6-16 tracker action (mechanical action); *other systems*: pneumatic action, electric action
6 draw stop (stop, stop knob)
7 slider (slide)
8 key (key lever)
9 sticker
10 pallet
11 wind trunk
12-14 wind chest, a slider wind chest; *other types*: sliderless wind chest (unit wind chest), spring chest, kegellade chest (cone chest), diaphragm chest
12 wind chest (wind chest box)
13 groove
14 upper board groove
15 upper board
16 pipe of a particular stop
17-35 organ pipes (pipes)
17-22 metal reed pipe (*set of pipes*: reed stop), a posaune stop
17 boot
18 shallot
19 tongue
20 block
21 tuning wire (tuning crook)
22 tube
23-30 open metal flue pipe, a salicional
23 foot

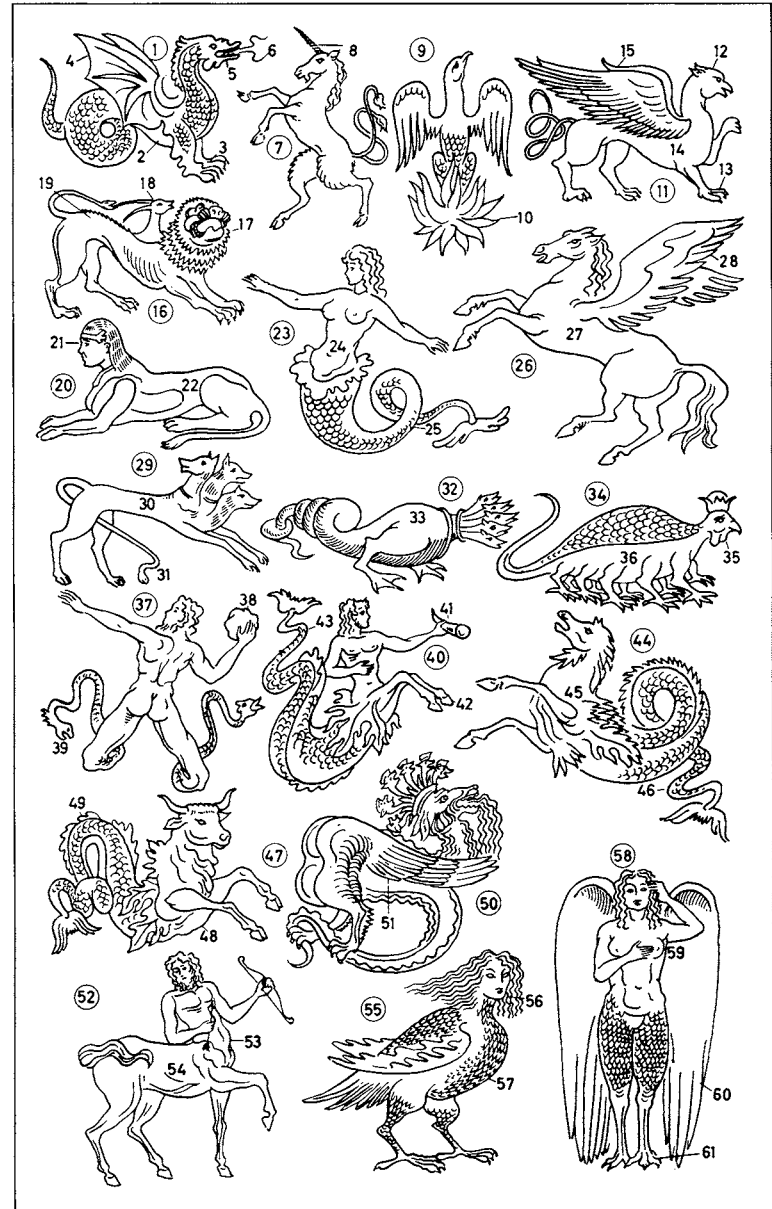


- 24** flue pipe windway (flue pipe duct)
25 mouth (cutup)
26 lower lip
27 upper lip
28 languid
29 body of the pipe (pipe)
30 tuning flap (tuning tongue), a tuning device
31-33 open wooden flue pipe (open wood), principal (diapason)
31 cap
32 ear
33 tuning hole (tuning slot), with slide
34 stopped flue pipe
35 stopper
36-52 organ console (console) of an electric action organ
36 music rest (music stand)
37 crescendo roller indicator
38 voltmeter
39 stop tab (rocker)
40 free combination stud (free combination knob)
41 cancel buttons for reeds, couplers etc.
42 manual I, for the Rückpositiv
43 manual II, for the Hauptwerk
44 manual III, for the Oberwerk
45 manual IV, for the Schwellwerk
46 thumb pistons controlling the manual stops (free or fixed combinations) and buttons for setting the combinations
47 switches for current to blower and action
48 toe piston, for the coupler
49 crescendo roller (general crescendo roller)
50 balanced swell pedal
51 pedal key [natural]
52 pedal key [sharp or flat]
53 cable (transmission cable)

1-61 fabulous creatures (fabulous animals), mythical creatures

- 1 dragon
- 2 serpent's body
- 3 claws (claw)
- 4 bat's wing
- 5 fork-tongued mouth
- 6 forked tongue
- 7 unicorn [symbol of virginity]
- 8 spirally twisted horn
- 9 Phoenix
- 10 flames or ashes of resurrection
- 11 griffin (griffon, gryphon)
- 12 eagle's head
- 13 griffin's claws
- 14 lion's body
- 15 wing
- 16 chimera (chimaera), a monster
- 17 lion's head
- 18 goat's head
- 19 dragon's body
- 20 sphinx, a symbolic figure
- 21 human head
- 22 lion's body
- 23 mermaid (nix, nixie, water nixie, sea maid, sea maiden, naiad, water nymph, water elf, ocean nymph, sea nymph, river nymph); *sim.*: Nereids, Oceanids (sea divinities, sea deities, sea goddesses); *male*: nix (merman, seaman)
- 24 woman's trunk
- 25 fish's tail (dolphin's tail)
- 26 Pegasus (favourite, *Am.* favorite, steed of the Muses, winged horse); *sim.*: hippogryph
- 27 horse's body
- 28 wings
- 29 Cerberus (hellhound)
- 30 three-headed dog's body
- 31 serpent's tail
- 32 Lernaean (Lernean) Hydra
- 33 nine-headed serpent's body
- 34 basilisk (cockatrice)
- 35 cock's head
- 36 dragon's body

- 37 giant (titan)
- 38 rock
- 39 serpent's foot
- 40 triton, a merman (demigod of the sea)
- 41 conch shell trumpet
- 42 horse's hoof
- 43 fish's tail
- 44 hippocampus
- 45 horse's trunk
- 46 fish's tail
- 47 sea ox, a sea monster
- 48 monster's body
- 49 fish's tail
- 50 seven-headed dragon of St. John's Revelation (Revelations, Apocalypse)
- 51 wing
- 52 centaur (hippocentaur), half man and half beast
- 53 man's body with bow and arrow
- 54 horse's body
- 55 harpy, a winged monster
- 56 woman's head
- 57 bird's body
- 58 siren, a daemon
- 59 woman's body
- 60 wing
- 61 bird's claw



1-40 prehistoric finds

1-9 **Old Stone Age** (Palaeolithic, Paleolithic, period) and **Mesolithic period**

1 hand axe (*Am. ax*) (fist hatchet), a stone tool

2 head of throwing spear, made of bone

3 bone harpoon

4 head

5 harpoon thrower, made of reindeer antler

6 painted pebble

7 head of a wild horse, a carving

8 Stone Age idol, an ivory statuette

9 bison, a cave painting (rock painting) [cave art, cave painting]

10-20 **New Stone Age** (Neolithic period)

10 amphora [corded ware]

11 bowl [menhir group]

12 collared flask [Funnel-Beaker culture]

13 vessel with spiral pattern [spiral design pottery]

14 bell beaker [bell beaker culture]

15 pile dwelling (lake dwelling, lacustrine dwelling)

16 dolmen (cromlech), a megalithic tomb (*coll.*: giant's tomb); *other kinds*: passage grave, gallery grave (long cist); *when covered with earth*: tumulus (barrow, mound)

17 stone cist, a contracted burial

18 menhir (standing stone), a monolith

19 boat axe (*Am. ax*), a stone battle axe

20 clay figurine, an idol

21-40 **Bronze Age and Iron Age**; *epochs*: Hallstatt period, La Tène period

21 bronze spear head

22 hafted bronze dagger

23 socketed axe (*Am. ax*), a bronze axe with haft fastened to rings

24 girdle clasp

25 necklace (lunula)

26 gold neck ring

27 violin-bow fibula (safety pin)

28 serpentine fibula; *other kinds*: boat fibula, arc fibula

29 bulb-head pin, a bronze pin

30 two-piece spiral fibula; *sim.*: disc (disk) fibula

31 hafted bronze knife

32 iron key

33 ploughshare (*Am. plowshare*)

34 sheet-bronze situla, a funerary vessel

35 pitcher [chip-carved pottery]

36 miniature ritual cart (miniature ritual chariot)

37 Celtic silver coin

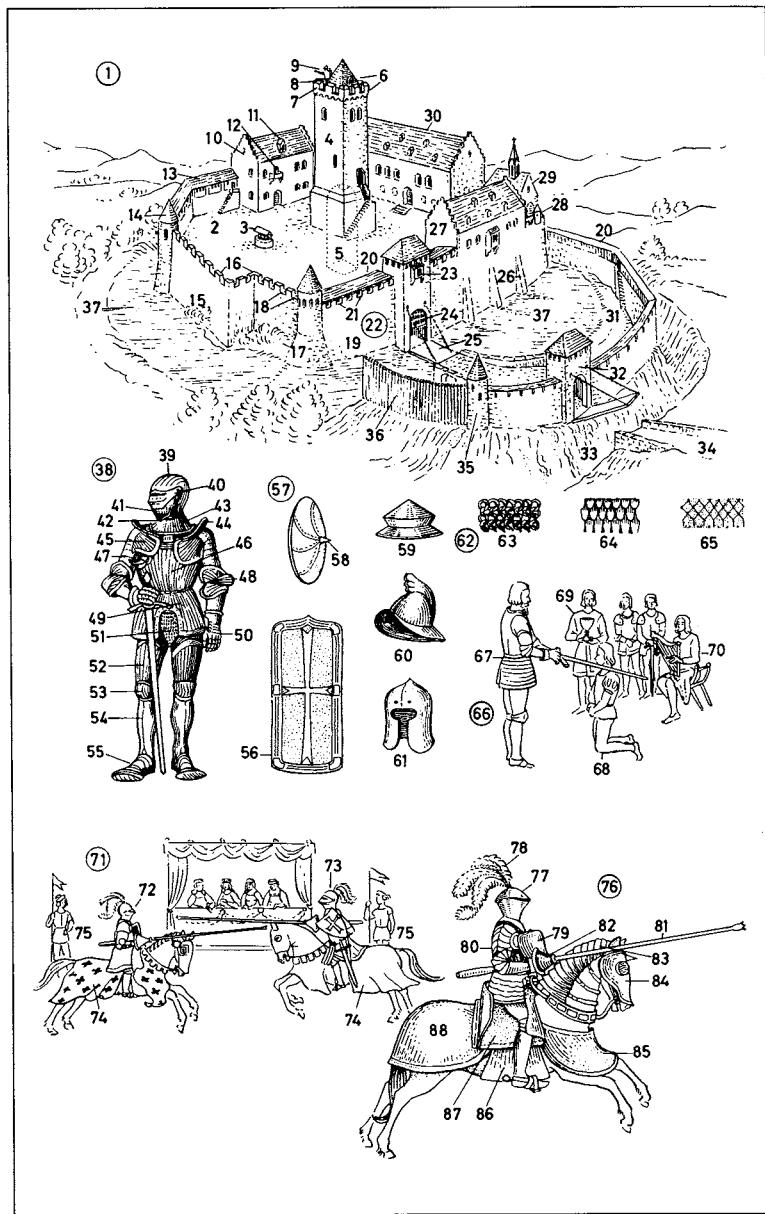
38 face urn, a cinerary urn; *other kinds*: domestic urn, embossed urn

39 urn grave in stone chamber

40 urn with cylindrical neck



- 1 knight's castle** (castle)
2 inner ward (inner bailey)
3 draw well
4 keep (donjon)
5 dungeon
6 battlements (crenellation)
7 merlon
8 tower platform
9 watchman
10 ladies' apartments (bowers)
11 dormer window (dormer)
12 balcony
13 storehouse (magazine)
14 angle tower
15 curtain wall (curtains, enclosure wall)
16 bastion
17 angle tower
18 crenel (embrasure)
19 inner wall
20 battlemented parapet
21 parapet (breastwork)
22 gatehouse
23 machicolation (machicoulis)
24 portcullis
25 drawbridge
26 buttress
27 offices and service rooms
28 turret
29 chapel
30 great hall
31 outer ward (outer bailey)
32 castle gate
33 moat (ditch)
34 approach
35 watchtower (turret)
36 palisade (pallisade, palisading)
37 moat (ditch, fosse)
38-65 knight's armour (*Am. armor*)
38 suit of armour (*Am. armor*)
39-42 helmet
39 skull
40 visor (visor)
41 beaver
42 throat piece
43 gorget
44 épaulière
45 palette (pauldron, besageur)
46 breastplate (cuirass)
47 brassard (rear brace and vambrace)
48 cubitière (coudière, couter)
49 tasse (tasset)
50 gauntlet
51 habergeon (haubergeon)
52 cuisse (cuish, cuissard, cuissart)
53 knee cap (knee piece, genouillère, poleyn)
54 jambeau (greave)
55 solleret (sabaton, sabbaton)
56 pavis (pavise, pavais)
57 buckler (round shield)
58 boss (umbo)
59 iron hat
60 morion
61 light casque
62 types of mail and armour (*Am. armor*)
63 mail (chain mail, chain armour, *Am. armor*)
64 scale armour (*Am. armor*)
65 plate armour (*Am. armor*)
66 accolade (dubbing, knighting)
67 liege lord, a knight
68 esquire
69 cup bearer
70 minstrel (minnesinger, troubadour)
71 tournament (tourney, joust, just, tilt)
72 crusader
73 Knight Templar
74 caparison (trappings)
75 herald (marshal at tournament)
76 tilting armour (*Am. armor*)
77 tilting helmet (jousting helmet)
78 panache (plume of feathers)
79 tilting target (tilting shield)
80 lance rest
81 tilting lance (lance)
82 vamplate
83-88 horse armour (*Am. armor*)
83 neck guard (neck piece)
84 chamfron (chaffron, chafron, chamfrain, chanfron)
85 poitreil
86 flanchard (flancard)
87 tournament saddle
88 rump piece (quarter piece)



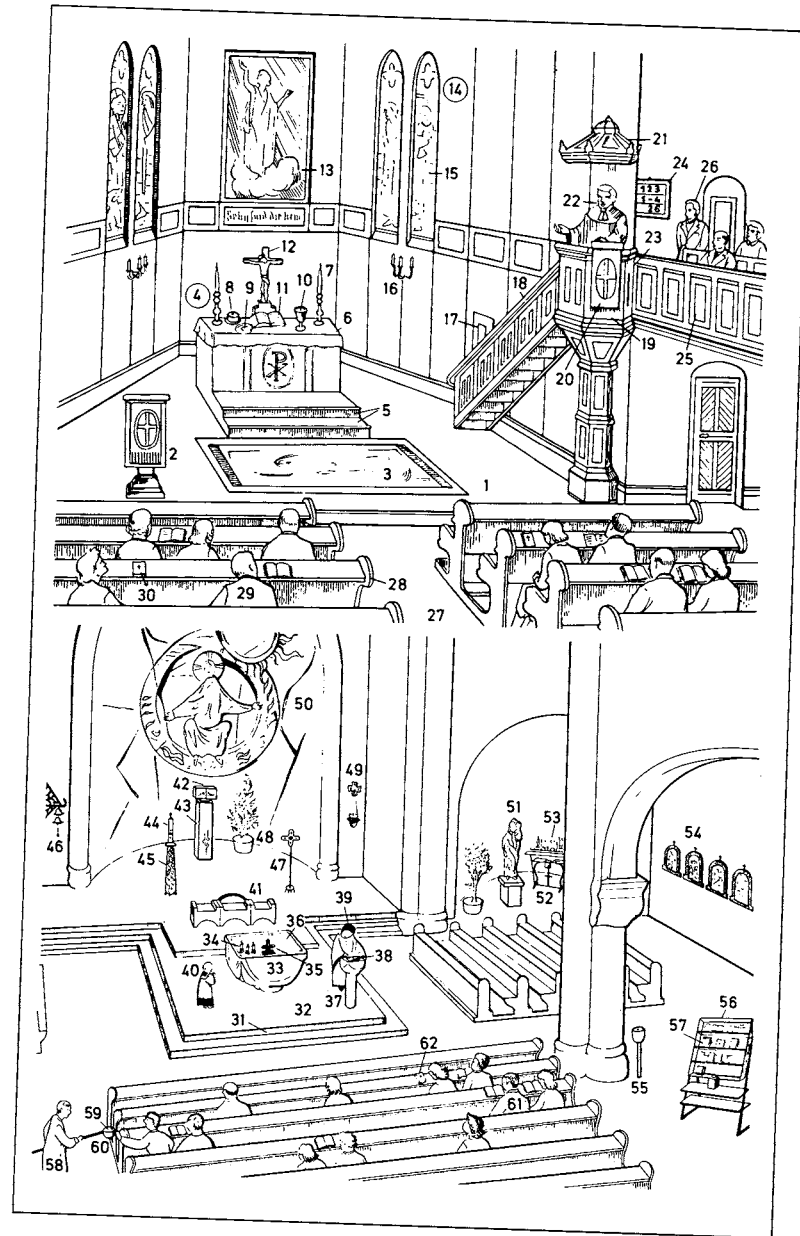
1-30 Protestant church

- 1 chancel
- 2 lectern
- 3 altar carpet
- 4 altar (communion table, Lord's table, holy table)
- 5 altar steps
- 6 altar cloth
- 7 altar candle
- 8 pyx (pix)
- 9 paten (patin, patine)
- 10 chalice (communion cup)
- 11 Bible (Holy Bible, Scriptures, Holy Scripture)
- 12 altar crucifix
- 13 altarpiece
- 14 church window
- 15 stained glass
- 16 wall candelabrum
- 17 vestry door (sacristy door)
- 18 pulpit steps
- 19 pulpit
- 20 antependium
- 21 canopy (soundboard, sounding board)
- 22 preacher (pastor, vicar, clergyman, rector) in his robes (vestments, canonicals)
- 23 pulpit balustrade
- 24 hymn board showing hymn numbers
- 25 gallery
- 26 vergers (sexton, sacristan)
- 27 aisle
- 28 pew; *collectively*: pews (seating)
- 29 churchgoer (worshipper); *collectively*: congregation
- 30 hymn book

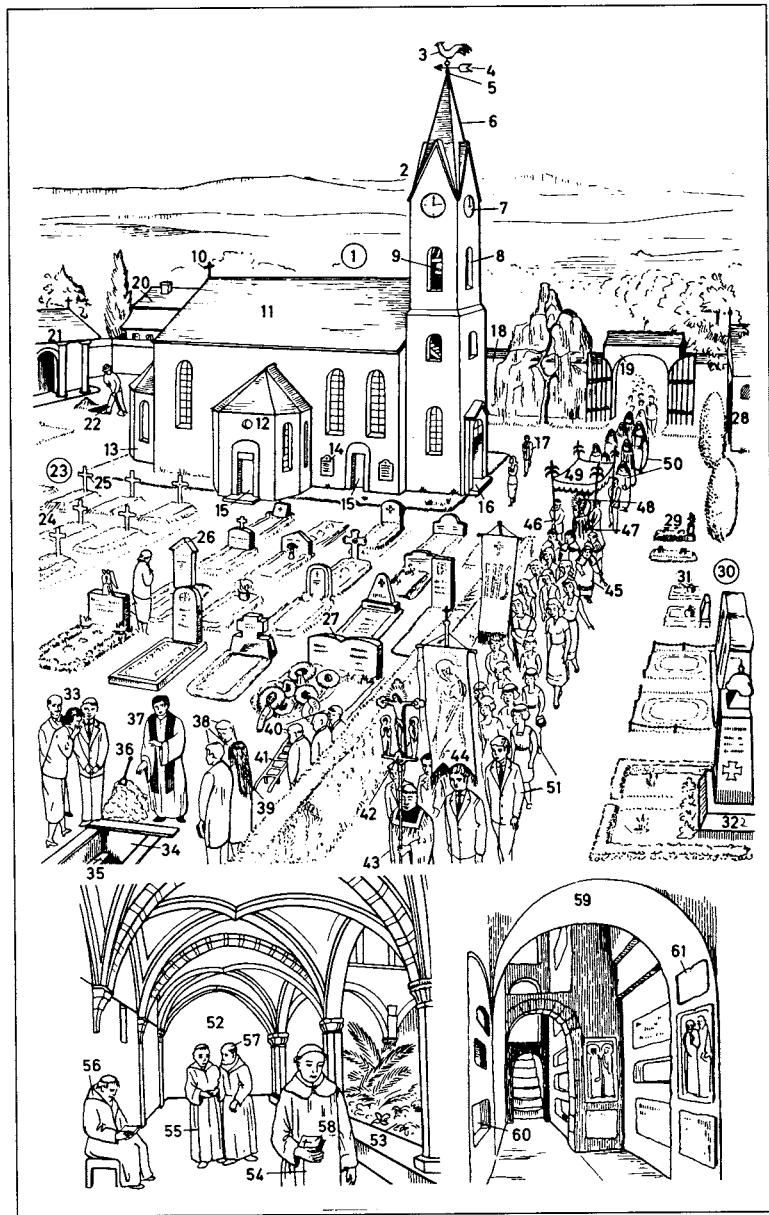
31-62 Roman Catholic church

- 31 altar steps
- 32 presbytery (choir, chancel, sacristium, sanctuary)
- 33 altar
- 34 altar candles
- 35 altar cross
- 36 altar cloth
- 37 lectern

- 38 missal (mass book)
- 39 priest
- 40 server
- 41 sedilia
- 42 tabernacle
- 43 stele (stela)
- 44 paschal candle (Easter candle)
- 45 paschal candlestick (Easter candlestick)
- 46 sanctus bell
- 47 processional cross
- 48 altar decoration (foliage, flower arrangement)
- 49 sanctuary lamp
- 50 altarpiece, a picture of Christ
- 51 Madonna (statue of the Virgin Mary)
- 52 pricket
- 53 votive candles
- 54 station of the Cross
- 55 offertory box
- 56 literature stand
- 57 literature (pamphlets, tracts)
- 58 vergers (sexton, sacristan)
- 59 offertory bag
- 60 offering
- 61 man praying
- 62 prayer book

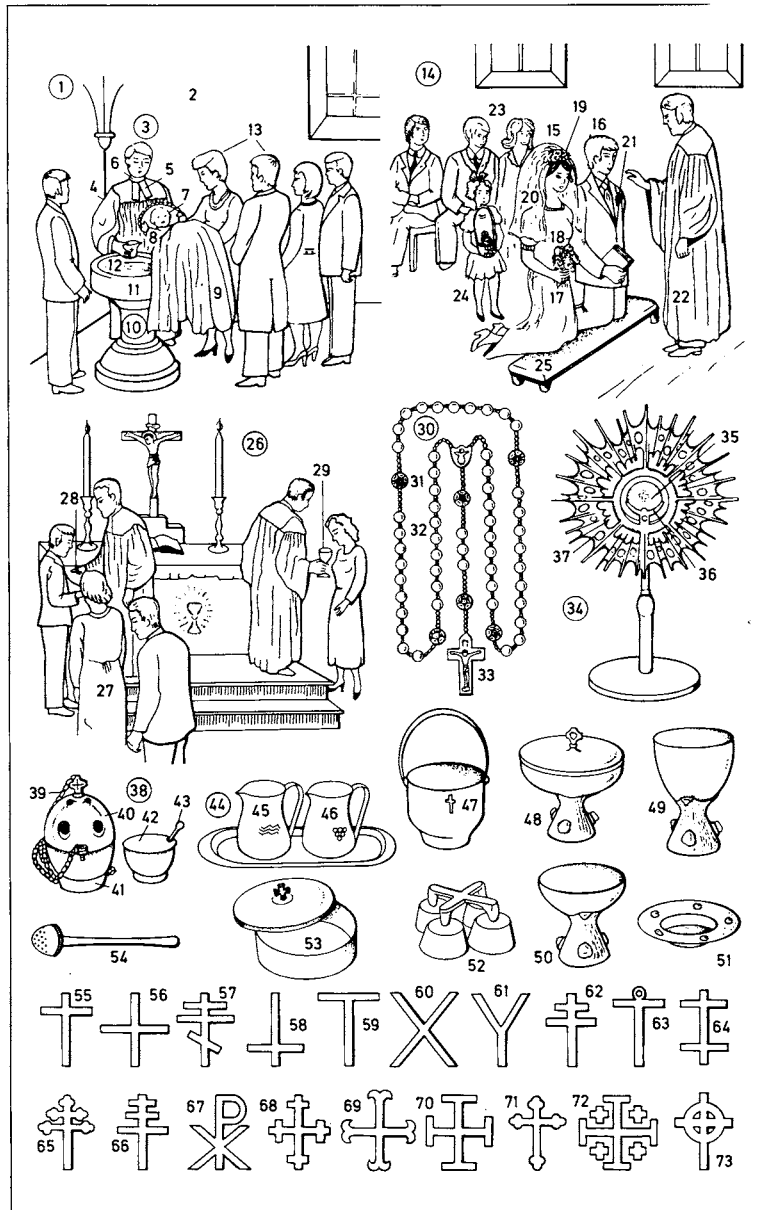


- 1 church
 2 steeple
 3 weathercock
 4 weather vane (wind vane)
 5 spire ball
 6 church spire (spire)
 7 church clock (tower clock)
 8 belfry window
 9 electrically operated bell
 10 ridge cross
 11 church roof
 12 memorial chapel
 13 vestry (sacristy), an annexe (annex)
 14 memorial tablet (memorial plate, wall memorial, wall stone)
 15 side entrance
 16 church door (main door, portal)
 17 churchgoer
 18 graveyard wall (churchyard wall)
 19 graveyard gate (churchyard gate, lichgate, lychgate)
 20 vicarage (parsonage, rectory)
 21-41 graveyard (churchyard, God's acre, *Am.* burying ground)
 21 mortuary
 22 grave digger
 23 grave (tomb)
 24 grave mound
 25 cross
 26 gravestone (headstone, tombstone)
 27 family grave (family tomb)
 28 graveyard chapel
 29 child's grave
 30 urn grave
 31 urn
 32 soldier's grave
 33-41 funeral (burial)
 33 mourners
 34 grave
 35 coffin (*Am.* casket)
 36 spade
 37 clergyman
 38 the bereaved
 39 widow's veil, a mourning veil
 40 pallbearers
 41 bier
 42-50 procession (religious procession)
 42 processional crucifix
 43 cross bearer (crucifer)
 44 processional banner, a church banner
 45 acolyte
 46 canopy bearer
 47 priest
 48 monstrance with the Blessed Sacrament (consecrated Host)
 49 canopy (baldachin, baldaquin)
 50 nuns
 51 participants in the procession
 52-58 monastery
 52 cloister
 53 monastery garden
 54 monk, a Benedictine monk
 55 habit (monk's habit)
 56 cowl (hood)
 57 tonsure
 58 breviary
 59 catacomb, an early Christian underground burial place
 60 niche (tomb recess, arcosolium)
 61 stone slab



- 1 Christian baptism (christening)
- 2 baptistery (baptistry)
- 3 Protestant clergyman
- 4 robes (vestments, canonicals)
- 5 bands
- 6 collar
- 7 child to be baptized (christened)
- 8 christening robe (christening dress)
- 9 christening shawl
- 10 font
- 11 font basin
- 12 baptismal water
- 13 godparents
- 14 church wedding (wedding ceremony, marriage ceremony)
- 15, 16 bridal couple
- 15 bride
- 16 bridegroom (groom)
- 17 ring (wedding ring)
- 18 bride's bouquet (bridal bouquet)
- 19 bridal wreath
- 20 veil (bridal veil)
- 21 [myrtle] buttonhole
- 22 clergyman
- 23 witnesses [to the marriage]
- 24 bridesmaid
- 25 kneeler
- 26 Holy Communion
- 27 communicants
- 28 Host (wafer)
- 29 communion cup
- 30 rosary
- 31 paternoster
- 32 Ave Maria; set of 10: decade
- 33 crucifix
- 34-54 liturgical vessels (ecclesiastical vessels)
- 34 monstrance
- 35 Host (consecrated Host, Blessed Sacrament)
- 36 lunula (lunule)
- 37 rays
- 38 censer (thurible), for offering incense (for incensing)
- 39 thurible chain
- 40 thurible cover

- 41 thurible bowl
- 42 incense boat
- 43 incense spoon
- 44 cruet set
- 45 water cruet
- 46 wine cruet
- 47 holy water basin
- 48 ciborium containing the sacred wafers
- 49 chalice
- 50 dish for communion wafers
- 51 paten (patin, patine)
- 52 altar bells
- 53 pyx (pix)
- 54 aspergillum
- 55-72 forms of Christian crosses
- 55 Latin cross (cross of the Passion)
- 56 Greek cross
- 57 Russian cross
- 58 St. Peter's cross
- 59 St. Anthony's cross (tau cross)
- 60 St. Andrew's cross (saltire cross)
- 61 Y-cross
- 62 cross of Lorraine
- 63 ansate cross
- 64 patriarchal cross
- 65 cardinal's cross
- 66 papal cross
- 67 Constantinian cross, a monogram of Christ (CHR)
- 68 crosslet
- 69 cross moline
- 70 cross of Jerusalem
- 71 cross botonnée (cross treflée)
- 72 fivefold cross (quintuple cross)
- 73 Celtic cross



1-18 Egyptian art

- 1 pyramid, a royal tomb
- 2 king's chamber
- 3 queen's chamber
- 4 air passage
- 5 coffin chamber
- 6 pyramid site
- 7 funerary temple
- 8 valley temple
- 9 pylon, a monumental gateway
- 10 obelisks
- 11 Egyptian sphinx
- 12 winged sun disc (sun disk)
- 13 lotus column
- 14 knob-leaf capital (bud-shaped capital)
- 15 papyrus column
- 16 bell-shaped capital
- 17 palm column
- 18 ornamented column

19, 20 Babylonian art

- 19 Babylonian frieze
- 20 glazed relief tile

21-28 art of the Persians

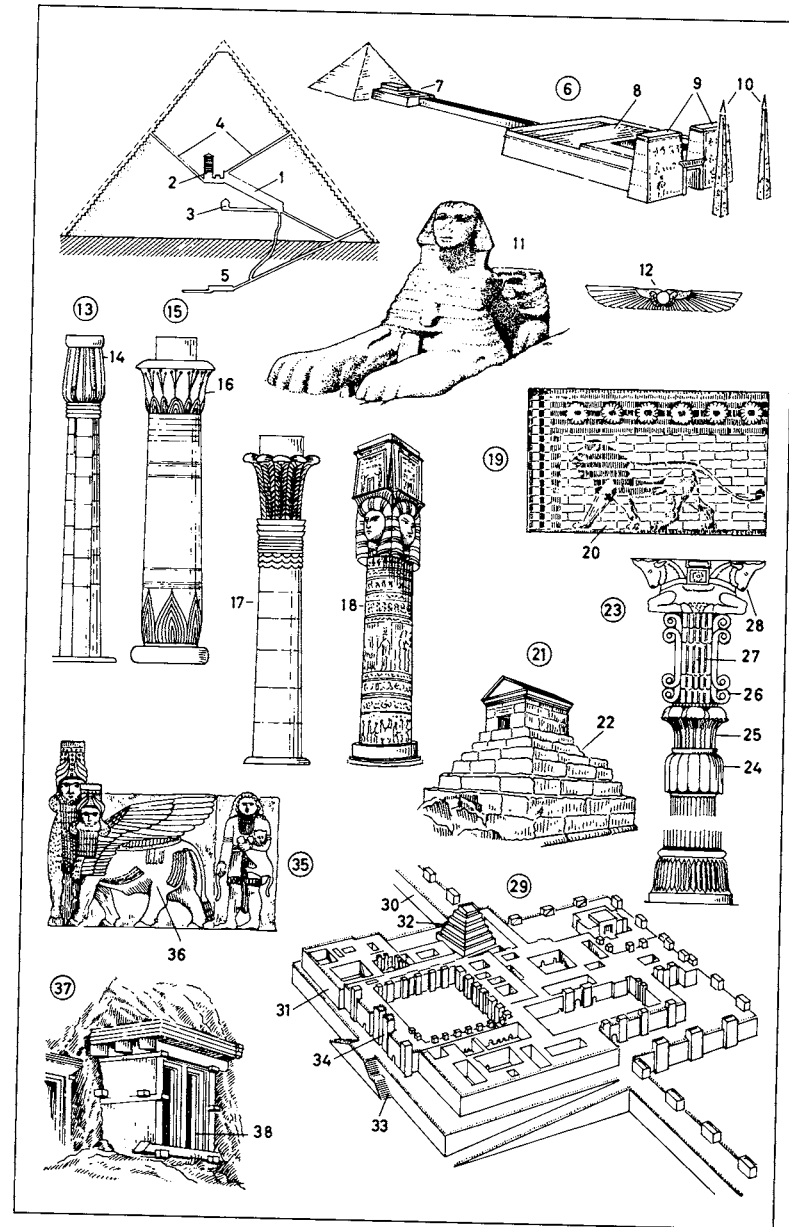
- 21 tower tomb
- 22 stepped pyramid
- 23 double bull column
- 24 projecting leaves
- 25 palm capital
- 26 volute (scroll)
- 27 shaft
- 28 double bull capital

29-36 art of the Assyrians

- 29 Sargon's Palace, palace buildings
- 30 city wall
- 31 castle wall
- 32 temple tower (ziggurat), a stepped (terraced) tower
- 33 outside staircase
- 34 main portal
- 35 portal relief
- 36 portal figure

37 art of Asia Minor

- 38 rock tomb



1-48 Greek art

1-7 the Acropolis

- 1 the Parthenon, a Doric temple
- 2 peristyle
- 3 pediment
- 4 crepidoma (stereobate)
- 5 statue
- 6 temple wall
- 7 propylaea
- 8 Doric column
- 9 Ionic column
- 10 Corinthian column
- 11-14 cornice
- 11 cyma
- 12 corona
- 13 mutule
- 14 dentils
- 15 triglyph
- 16 metope, a frieze decoration
- 17 regula
- 18 epistyle (architrave)
- 19 cyma (cymatium, kymation)
- 20-25 capital
- 20 abacus
- 21 echinus
- 22 hypotrachelium (gorgerin)
- 23 volute (scroll)
- 24 volute cushion
- 25 acanthus
- 26 column shaft
- 27 flutes (grooves, channels)
- 28-31 base
- 28 [upper] torus
- 29 trochilus (concave moulding, *Am.* moulding)
- 30 [lower] torus
- 31 plinth
- 32 stylobate
- 33 stele (stela)
- 34 acroterion (acroterium, acroter)
- 35 herm (herma, hermes)
- 36 caryatid; *male*: Atlas
- 37 Greek vase
- 38-43 Greek ornamentation (Greek decoration, Greek decorative designs)

- 38 bead-and-dart moulding (*Am.* moulding), an ornamental band
- 39 running dog (Vitruvian scroll)
- 40 leaf ornament
- 41 palmette
- 42 egg and dart (egg and tongue, egg and anchor) cyma
- 43 meander
- 44 Greek theatre (*Am.* theater)
- 45 scene
- 46 proscenium
- 47 orchestra
- 48 thymele (altar)

49-52 Etruscan art

- 49 Etruscan temple
- 50 portico
- 51 cella
- 52 entablature
- 53-60 Roman art
- 53 aqueduct
- 54 conduit (water channel)
- 55 centrally-planned building (centralized building)

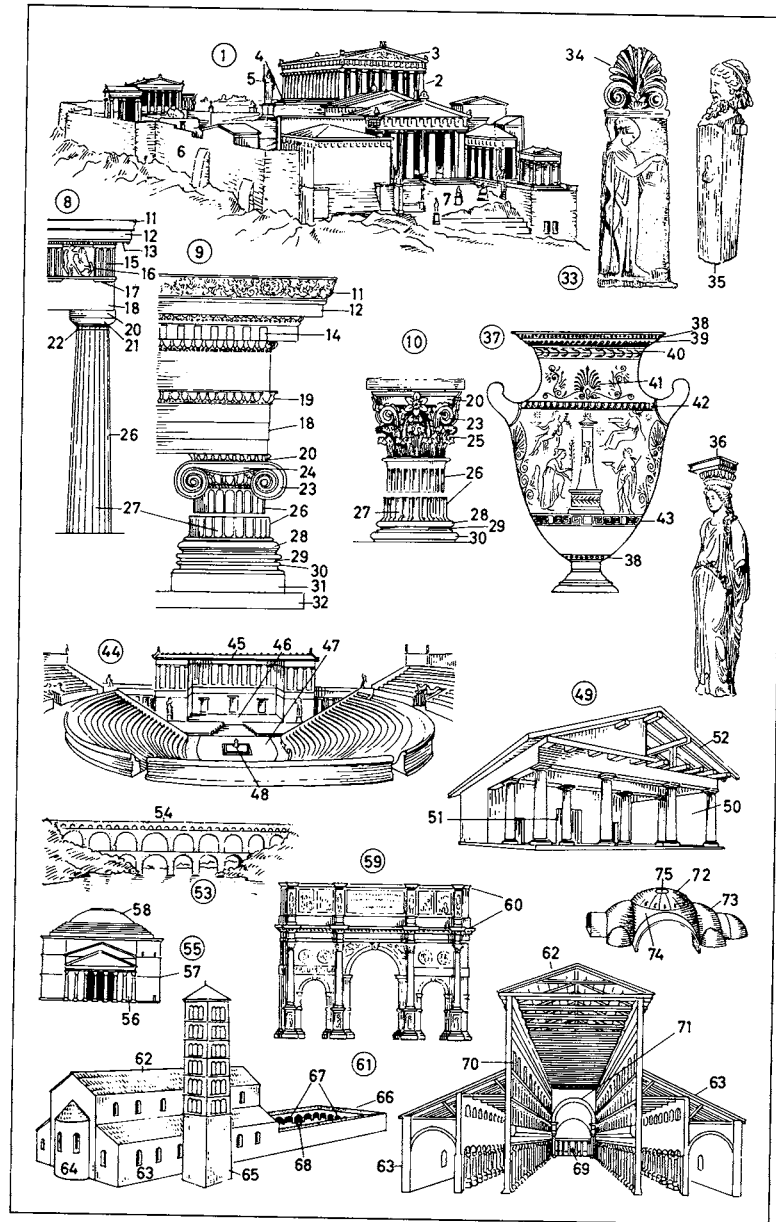
- 56 portico
- 57 reglet
- 58 cupola
- 59 triumphal arch
- 60 attic

61-71 Early Christian art

- 61 basilica
- 62 nave
- 63 aisle
- 64 apse
- 65 campanile
- 66 atrium
- 67 colonnade
- 68 fountain
- 69 altar
- 70 clerestory (clearstory)
- 71 triumphal arch

72-75 Byzantine art

- 72, 73 dome system
- 72 main dome
- 73 semidome
- 74 pendentive
- 75 eye, a lighting aperture



1-21 Romanesque art**1-13 Romanesque church, a cathedral**

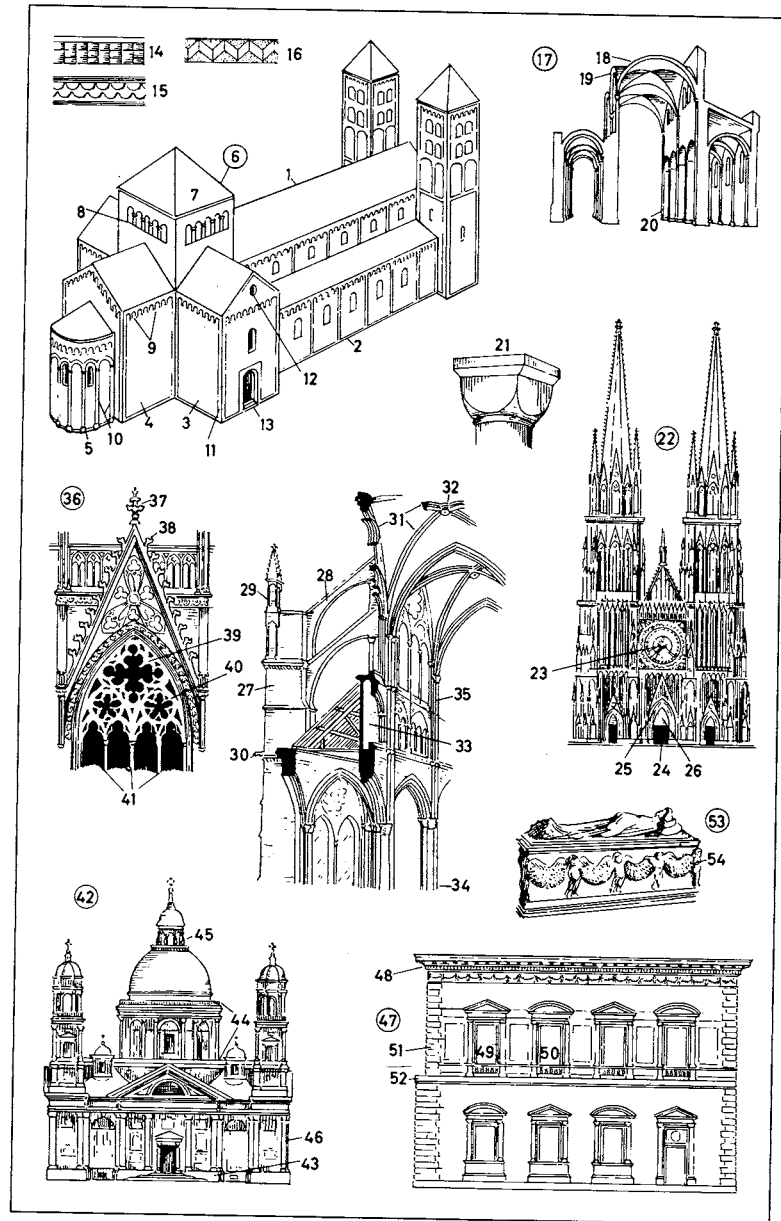
- 1 nave
- 2 aisle
- 3 transept
- 4 choir (chancel)
- 5 apse
- 6 central tower (*Am.* center tower)
- 7 pyramidal tower roof
- 8 arcading
- 9 frieze of round arcading
- 10 blind arcade (blind arcading)
- 11 lesene, a pilaster strip
- 12 circular window
- 13 side entrance
- 14-16 Romanesque ornamentation**
(Romanesque decoration,
Romanesque decorative designs)
- 14 chequered (*Am.* checkered) pat-
tern (chequered design)
- 15 imbrication (imbricated design)
- 16 chevron design
- 17 Romanesque system of vaulting
- 18 transverse arch
- 19 barrel vault (tunnel vault)
- 20 pillar
- 21 cushion capital

22-41 Gothic art

- 22 Gothic church [westwork, west
end, west façade], a cathedral
- 23 rose window
- 24 church door (main door, portal), a
recessed portal
- 25 archivolt
- 26 tympanum
- 27-35 Gothic structural system**
- 27, 28 buttresses
- 27 buttress
- 28 flying buttress
- 29 pinnacle
- 30 gargoyle
- 31, 32 cross vault (groin vault)
- 31 ribs (cross ribs)
- 32 boss (pendant)
- 33 triforium
- 34 clustered pier (compound pier)

35 respond (engaged pillar)

- 36 pediment
- 37 finial
- 38 crocket
- 39-41 tracery window, a lancet window**
- 39, 40 tracery
- 39 quatrefoil
- 40 cinquefoil
- 41 mullions
- 42-54 Renaissance art**
- 42 Renaissance church
- 43 projection, a projecting part of the
building
- 44 drum
- 45 lantern
- 46 pilaster (engaged pillar)
- 47 Renaissance palace
- 48 cornice
- 49 pedimental window
- 50 pedimental window with round
gable
- 51 rustication (rustic work)
- 52 string course
- 53 sarcophagus
- 54 festoon (garland)



1-8 Baroque art

- 1 Baroque church
- 2 bull's eye
- 3 bulbous cupola
- 4 dormer window (dormer)
- 5 curved gable
- 6 twin columns
- 7 cartouche
- 8 scrollwork
- 9-13 Rococo art
- 9 Rococo wall
- 10 coving, a hollow moulding (*Am.* moulding)
- 11 framing
- 12 ornamental moulding (*Am.* moulding)
- 13 rocaille, a Rococo ornament
- 14 table in Louis Seize style (Louis Seize table)
- 15 neoclassical building (building in neoclassical style), a gateway
- 16 Empire table (table in the Empire style)
- 17 Biedermeier sofa (sofa in the Biedermeier style)
- 18 Art Nouveau easy chair (easy chair in the Art Nouveau style)

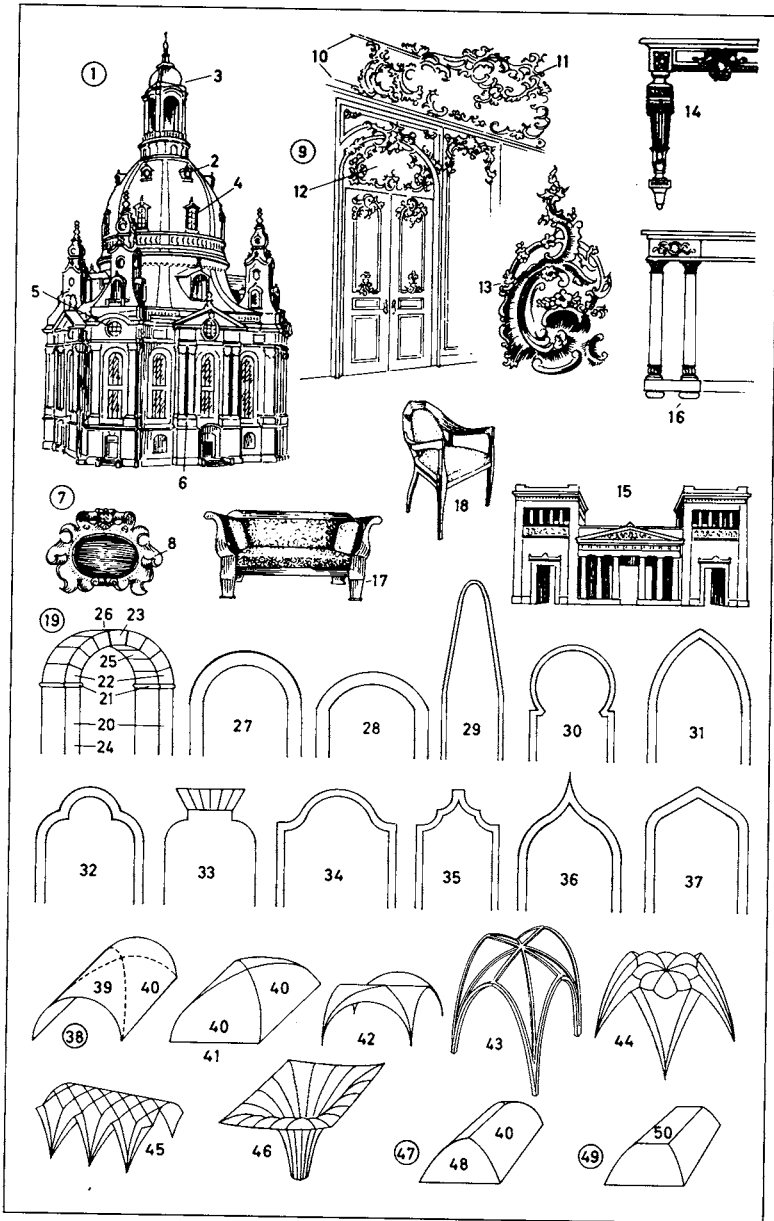
19-37 types of arch

- 19 arch
- 20 abutment
- 21 impost
- 22 springer, a voussoir (wedge stone)
- 23 keystone
- 24 face
- 25 intrados
- 26 extrados
- 27 round arch
- 28 segmental arch (basket handle)
- 29 parabolic arch
- 30 horseshoe arch
- 31 lancet arch
- 32 trefoil arch
- 33 shouldered arch
- 34 convex arch
- 35 tented arch
- 36 ogee arch (keel arch)

37 Tudor arch

38-50 types of vault

- 38 barrel vault (tunnel vault)
- 39 crown
- 40 side
- 41 cloister vault (cloistered vault)
- 42 groin vault (groined vault)
- 43 rib vault (ribbed vault)
- 44 stellar vault
- 45 net vault
- 46 fan vault
- 47 trough vault
- 48 trough
- 49 cavetto vault
- 50 cavetto



1-6 Chinese art

- 1 pagoda (multi-storey, multistory, pagoda), a temple tower
- 2 storey (story) roof (roof of storey)
- 3 pailou (pailoo), a memorial archway
- 4 archway
- 5 porcelain vase
- 6 incised lacquered work

7-11 Japanese art

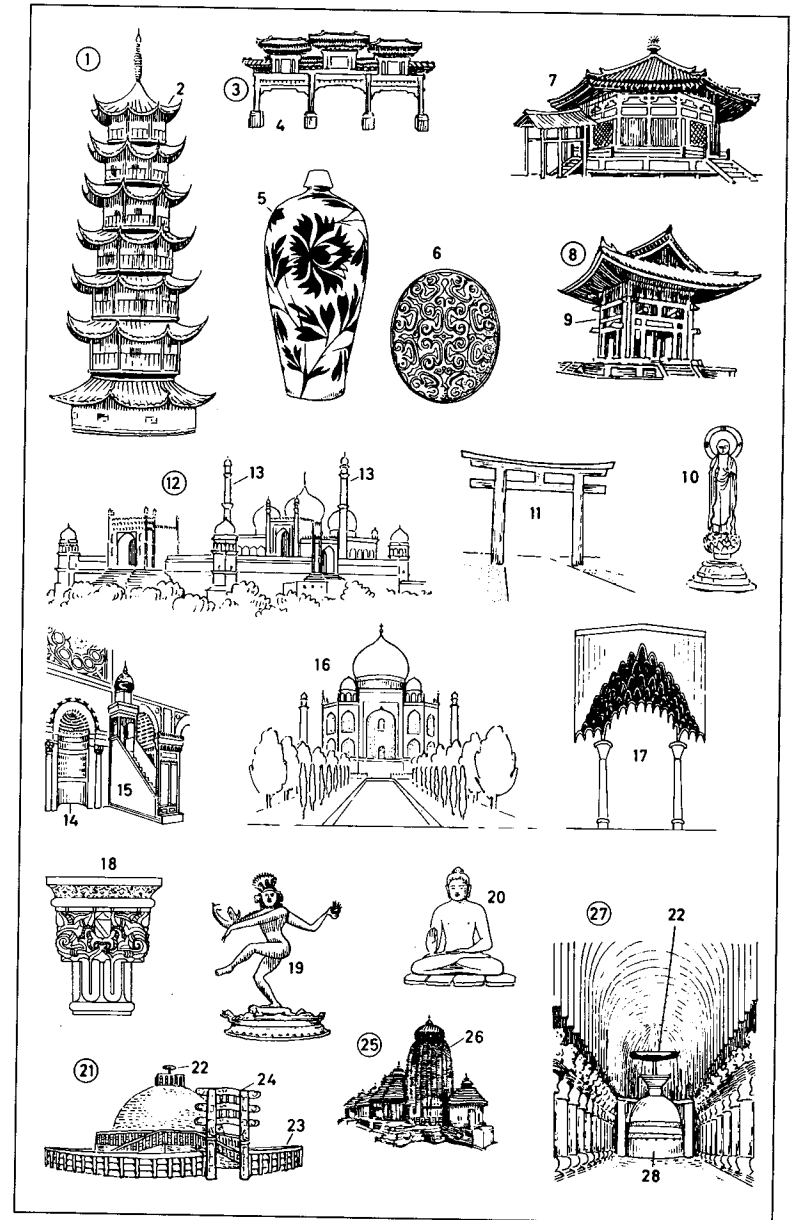
- 7 temple
- 8 bell tower
- 9 supporting structure
- 10 bodhisattva (boddhisattva), a Buddhist saint
- 11 torii, a gateway

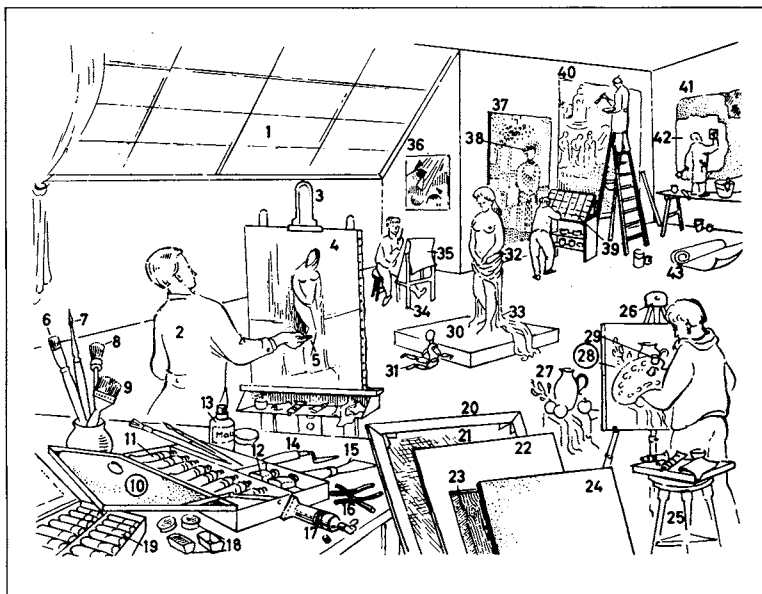
12-18 Islamic art

- 12 mosque
- 13 minaret, a prayer tower
- 14 mihrab
- 15 minbar (mimbar, pulpit)
- 16 mausoleum, a tomb
- 17 stalactite vault (stalactitic vault)
- 18 Arabian capital

19-28 Indian art

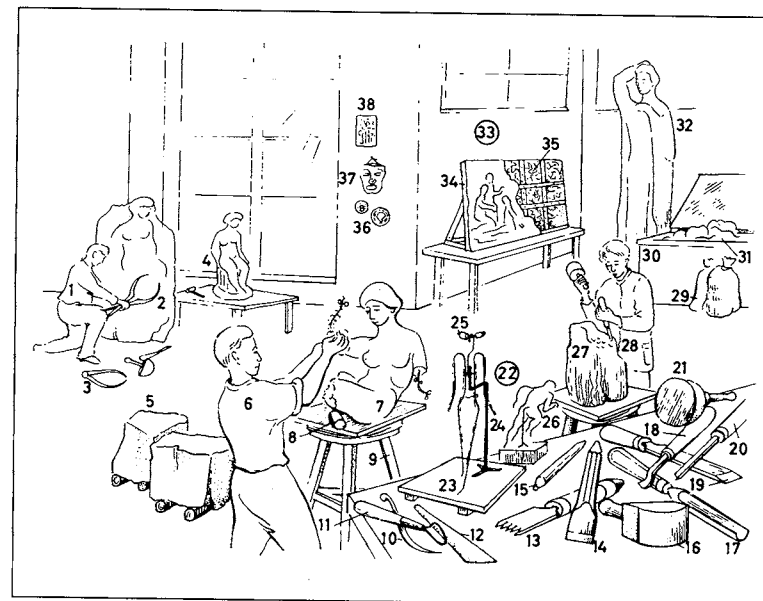
- 19 dancing Siva (Shiva), an Indian god
- 20 statue of Buddha
- 21 stupa (Indian pagoda), a mound (dome), a Buddhist shrine
- 22 umbrella
- 23 stone wall (*Am.* stone fence)
- 24 gate
- 25 temple buildings
- 26 shikara (sika, sikhara, temple tower)
- 27 chaitya hall
- 28 chaitya, a small stupa



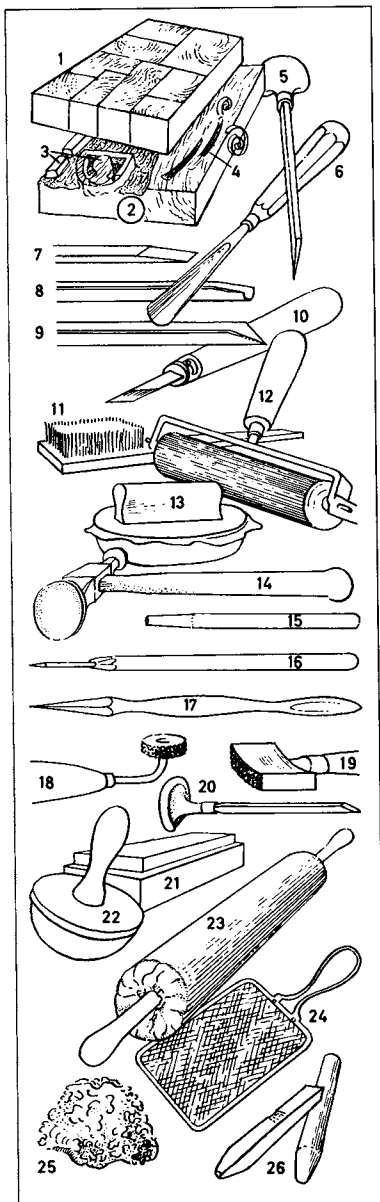


1-43 studio

- 1 studio skylight
- 2 painter, an artist
- 3 studio easel
- 4 chalk sketch, a rough draft
- 5 crayon (piece of chalk)
- 6-19 painting materials
- 6 flat brush
- 7 camel hair brush
- 8 round brush
- 9 priming brush
- 10 box of paints (paintbox)
- 11 tube of oil paint
- 12 varnish
- 13 thinner
- 14 palette knife
- 15 spatula
- 16 charcoal pencil (charcoal, piece of charcoal)
- 17 tempera (gouache)
- 18 watercolour (*Am.* watercolor)
- 19 pastel crayon
- 20 wedged stretcher (canvas stretcher)
- 21 canvas
- 22 piece of hardboard, with painting surface
- 23 wooden board
- 24 fibreboard (*Am.* fiberboard)
- 25 painting table
- 26 folding easel
- 27 still life group, a motif
- 28 palette
- 29 palette dipper
- 30 platform
- 31 lay figure (mannequin, manikin)
- 32 nude model (model, nude)
- 33 drapery
- 34 drawing easel
- 35 sketch pad
- 36 study in oils
- 37 mosaic (tessellation)
- 38 mosaic figure
- 39 tesserae
- 40 fresco (mural)
- 41 sgraffito
- 42 plaster
- 43 cartoon



- 1 sculptor
- 2 proportional dividers
- 3 calliper (caliper)
- 4 plaster model, a plaster cast
- 5 block of stone (stone block)
- 6 modeller (*Am.* modeler)
- 7 clay figure, a torso
- 8 roll of clay, a modelling (*Am.* modeling) substance
- 9 modelling (*Am.* modeling) stand
- 10 wooden modelling (*Am.* modeling) tool
- 11 wire modelling (*Am.* modeling) tool
- 12 beating wood
- 13 claw chisel (toothed chisel, tooth chisel)
- 14 flat chisel
- 15 point (punch)
- 16 iron-headed hammer
- 17 gouge (hollow chisel)
- 18 spoon chisel
- 19 wood chisel, a bevelled-edge chisel
- 20 V-shaped gouge
- 21 mallet
- 22 framework
- 23 baseboard
- 24 armature support (metal rod)
- 25 armature
- 26 wax model
- 27 block of wood
- 28 wood carver (wood sculptor)
- 29 sack of gypsum powder (gypsum)
- 30 clay box
- 31 modelling (*Am.* modeling) clay
- 32 statue, a sculpture
- 33 low relief (bas-relief)
- 34 modelling (*Am.* modeling) board
- 35 wire frame, wire netting
- 36 circular medallion (tondo)
- 37 mask
- 38 plaque

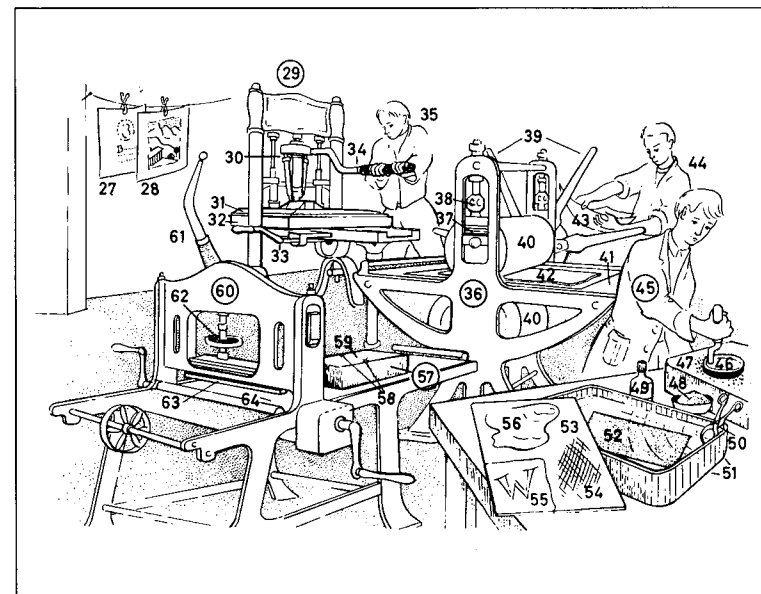


1-13 wood engraving (xylography), a relief printing method (a letterpress printing method)

- 1 end-grain block for wood engravings, a wooden block
- 2 wooden plank for woodcutting, a relief image carrier
- 3 positive cut
- 4 plank cut
- 5 burin (graver)
- 6 U-shaped gouge
- 7 scoper (scauper, scalper)
- 8 scoop
- 9 V-shaped gouge
- 10 contour knife
- 11 brush
- 12 roller (brayer)
- 13 pad (wiper)

14-24 copperplate engraving (chalcography), an intaglio process; *kinds*: etching, mezzotint, aquatint, crayon engraving

- 14 hammer
- 15 burin
- 16 etching needle (engraver)
- 17 scraper and burnisher
- 18 roulette
- 19 rocking tool (rocker)
- 20 round-headed graver, a graver (burin)
- 21 oilstone
- 22 dabber (inking ball, ink ball)
- 23 leather roller
- 24 sieve
- 25, 26 lithography (stone lithography), a planographic printing method
- 25 sponge for moistening the lithographic stone
- 26 lithographic crayons (greasy chalk)



27-64 graphic art studio, a printing office (*Am. printery*)

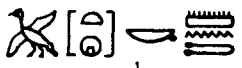
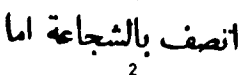

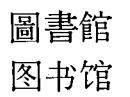

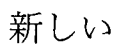
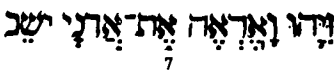
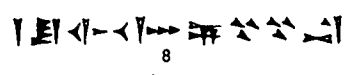
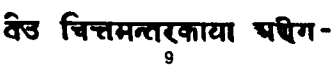



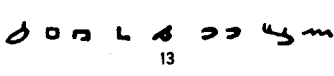
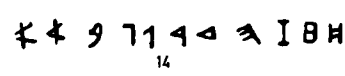
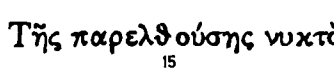

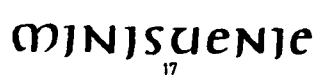
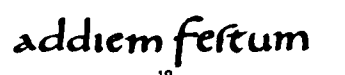

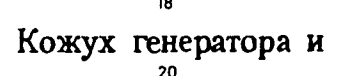
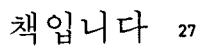
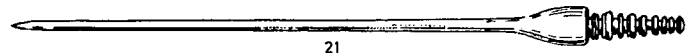

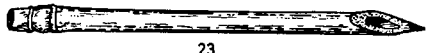
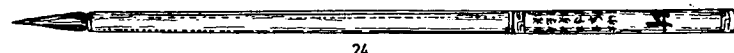
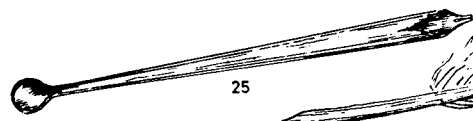
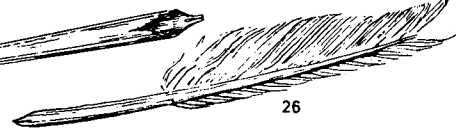
- 27 broadside (broadsheet, single sheet)
- 28 full-colour (*Am. full-color*) print (colour print, chromolithograph)
- 29 platen press, a hand press
- 30 toggle
- 31 platen
- 32 type forme (*Am. form*)
- 33 feed mechanism
- 34 bar (devil's tail)
- 35 pressman
- 36 copperplate press
- 37 tympan
- 38 pressure regulator
- 39 star wheel
- 40 cylinder
- 41 bed
- 42 felt cloth
- 43 proof (pull)
- 44 copperplate engraver

45 lithographer (litho artist), grinding the stone

- 46 grinding disc (disk)
- 47 grain (granular texture)
- 48 pulverized glass
- 49 rubber solution
- 50 tongs
- 51 etching bath for etching
- 52 zinc plate
- 53 polished copperplate
- 54 cross hatch
- 55 etching ground
- 56 non-printing area
- 57 lithographic stone
- 58 register marks
- 59 printing surface (printing image carrier)
- 60 lithographic press
- 61 lever
- 62 scraper adjustment
- 63 scraper
- 64 bed

1-20 scripts of various peoples

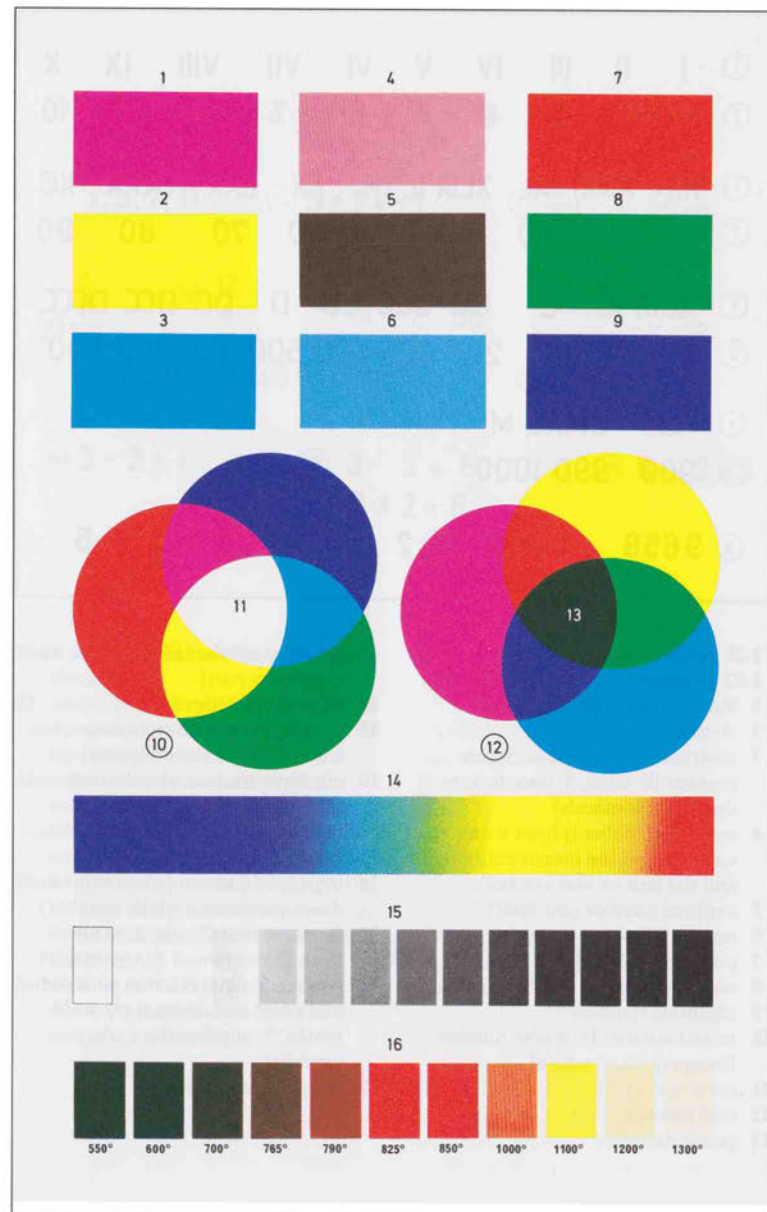
- 1 ancient Egyptian hieroglyphics, a pictorial system of writing
- 2 Arabic
- 3 Armenian
- 4 Georgian
- 5 Chinese
- 6 Japanese
- 7 Hebrew (Hebraic)
- 8 cuneiform script
- 9 Devanagari, script employed in Sanskrit
- 10 Siamese
- 11 Tamil
- 12 Tibetan
- 13 Sinaitic script
- 14 Phoenician
- 15 Greek
- 16 Roman capitals
- 17 uncial (uncials, uncial script)
- 18 Carolingian (Carlovingian, Caroline) minuscule
- 19 runes
- 20 Cyrillic
- 21-26 ancient writing implements
- 21 Indian steel stylus for writing on palm leaves
- 22 ancient Egyptian reed pen
- 23 writing cane
- 24 brush
- 25 Roman metal pen (stylus)
- 26 quill (quill pen)
- 27 Korean

 <p>1</p>	 <p>2</p>	 <p>3</p>	 <p>5</p>
 <p>4</p>	 <p>6</p>	 <p>7</p>	 <p>8</p>
 <p>9</p>	 <p>10</p>	 <p>11</p>	 <p>12</p>
 <p>13</p>	 <p>14</p>	 <p>15</p>	 <p>16</p>
 <p>17</p>	 <p>18</p>	 <p>19</p>	 <p>20</p>
 <p>27</p>			
 <p>21</p>			
 <p>22</p>			
 <p>23</p>			
 <p>24</p>			
 <p>25</p>			
 <p>26</p>			

- 1-15 types (type faces)
- 1 Gothic type (German black-letter type)
- 2 Schwabacher type (German black-letter type)
- 3 Fraktur (German black-letter type)
- 4 Humanist (Mediaeval)
- 5 Transitional
- 6 Didone
- 7 Sanserif (Sanserif type, Grotesque)
- 8 Egyptian
- 9 typescript (typewriting)
- 10 English hand (English handwriting, English writing)
- 11 German hand (German handwriting, German writing)
- 12 Latin script
- 13 shorthand (shorthand writing, stenography)
- 14 phonetics (phonetic transcription)
- 15 Braille
- 16-29 punctuation marks (stops)
- 16 full stop (period, full point)
- 17 colon
- 18 comma
- 19 semicolon
- 20 question mark (interrogation point, interrogation mark)
- 21 exclamation mark (*Am.* exclamation point)
- 22 apostrophe
- 23 dash (em rule)
- 24 parentheses (round brackets)
- 25 square brackets
- 26 quotation mark (double quotation marks, paired quotation marks, inverted commas)
- 27 guillemet (French quotation mark)
- 28 hyphen
- 29 marks of omission (ellipsis)
- 30-35 accents and diacritical marks (diacritics)
- 30 acute accent (acute)
- 31 grave accent (grave)
- 32 circumflex accent (circumflex)
- 33 cedilla [under c]
- 34 diaeresis (*Am.* dieresis) [over e]
- 35 tilde [over n]
- 36 section mark
- 37-70 newspaper, a national daily newspaper
- 37 newspaper page
- 38 front page
- 39 newspaper heading
- 40 contents
- 41 price
- 42 date of publication
- 43 place of publication
- 44 headline
- 45 column
- 46 column heading
- 47 column rule
- 48 leading article (leader, editorial)
- 49 reference to related article
- 50 brief news item
- 51 political section
- 52 page heading
- 53 cartoon
- 54 report by newspaper's own correspondent
- 55 news agency's sign
- 56 advertisement (*coll.* ad)
- 57 sports section
- 58 press photo
- 59 caption
- 60 sports report
- 61 sports news item
- 62 home and overseas news section
- 63 news in brief (miscellaneous news)
- 64 television programmes (*Am.* programs)
- 65 weather report
- 66 weather chart (weather map)
- 67 arts section (feuilleton)
- 68 death notice
- 69 advertisements (classified advertising)
- 70 job advertisement, a vacancy (a situation offered)

The image displays a variety of typographic styles and symbols. The top section shows the word 'Oxford' in 15 different fonts, ranging from traditional Gothic to modern sans-serif. Below this is a grid of 36 symbols, including punctuation marks like the colon, comma, and question mark, as well as diacritical marks like the acute accent and circumflex. The bottom section is a collage of newspaper pages from 'THE GUARDIAN', with various sections and articles numbered 37 through 70, corresponding to the list on the left.

- 1 red
- 2 yellow
- 3 blue
- 4 pink
- 5 brown
- 6 azure (sky blue)
- 7 orange
- 8 green
- 9 violet
- 10 additive mixture of colours (*Am. colors*)
- 11 white
- 12 subtractive mixture of colours (*Am. colors*)
- 13 black
- 14 solar spectrum (colours, *Am. colors*, of the rainbow)
- 15 grey (*Am. gray*) scale
- 16 heat colours (*Am. colors*)



- ① I II III IV V VI VII VIII IX X
 ② 1 2 3 4 5 6 7 8 9 10
- ① XX XXX XL XLIX IL L LX LXX LXXX XC
 ② 20 30 40 49 50 60 70 80 90
- ① XCIX IC C CC CCC CD D DC DCC DCCC
 ② 99 100 200 300 400 500 600 700 800
- ① CM CMXC M
 ② 900 990 1000
- ③ 9658 ④ 5 kg. ⑤ 2 ⑥ 2nd ⑦ +5 ⑧ -5

- ⑨ a, b, c... ⑩ $3\frac{1}{3}$ ⑪ 2, 4, 6, 8 ⑫ 1, 3, 5, 7
- ⑬ 3, 5, 7, 11 ⑭ $3 + 2\sqrt{-1}$ ⑮ $\frac{2}{3}$ ⑯ $\frac{3}{2}$
- ⑰ $\frac{\frac{5}{6}}{\frac{3}{4}}$ ⑱ $\frac{12}{4}$ ⑲ $\frac{4}{5} + \frac{2}{7} = \frac{38}{35}$ ⑳ 0.357
- ㉑ $0.6666\dots = 0.\overline{6}$ ㉒ $3 + 2 = 5$
- ㉓ $3 - 2 = 1$ ㉔ $3 \cdot 2 = 6$
 $3 \times 2 = 6$ ㉕ $6 \div 2 = 3$

1-26 arithmetic**1-22 numbers**

- 1 Roman numerals
 2 Arabic numerals
 3 abstract number, a four-figure number [8: units; 5: tens; 6: hundreds; 9: thousands]
 4 concrete number (physical quantity consisting of the numerical value and the unit or unit symbol)
 5 cardinal number (cardinal)
 6 ordinal number (ordinal)
 7 positive number [with plus sign]
 8 negative number [with minus sign]
 9 algebraic symbols
 10 mixed number [3: whole number (integer); $\frac{1}{3}$: fraction]
 11 even numbers
 12 odd numbers
 13 prime numbers

14 complex number [3: real part; $2\sqrt{-1}$: imaginary part]

15, 16 vulgar fractions

15 proper fraction [2: numerator, horizontal line; 3: denominator]

16 improper fraction, also the reciprocal of item 15

17 compound fraction (complex fraction)

18 improper fraction [when cancelled down produces a whole number]

19 fractions of different denominations [35: common denominator]

20 proper decimal fraction with decimal point and decimal places [3: tenths; 5: hundredths; 7: thousandths]

21, 22 recurring decimal

23-26 fundamental arithmetical operations

- 23 addition (adding) [3 and 2: the terms of the sum; + : plus sign; = : equals sign; 5: the sum]
 24 subtraction (subtracting); [3: the minuend; - : minus sign; 2: the subtrahend; 1: the remainder (difference)]
 25 multiplication (multiplying); [3: the multiplicand; \times : multiplication sign; 2: the multiplier; 2 and 3: factors; 6: the product]
 26 division (dividing); [6: the dividend; \div : division sign; 2: the divisor; 3: the quotient]

$$\textcircled{1} 3^2 = 9 \quad \textcircled{2} \sqrt[3]{8} = 2 \quad \textcircled{3} \sqrt{4} = 2$$

$$\textcircled{4} 3x + 2 = 12$$

⑥

$$\textcircled{5} 4a + 6ab - 2ac = 2a(2 + 3b - c) \quad \log_{10} 3 = 0.4771$$

$$\textcircled{7} \frac{P[\pounds 1000] \times R[5\%] \times T[2 \text{ years}]}{100} = I[\pounds 100]$$

1-24 arithmetic

1-10 advanced arithmetical operations

- 1 raising to a power [three squared (3^2): the power; 3: the base; 2: the exponent (index); 9: value of the power]
 2 evolution (extracting a root); [cube root of 8: cube root; 8: the radical; 3: the index (degree) of the root; $\sqrt{\quad}$: radical sign; 2: value of the root]
 3 square root
 4, 5 algebra
 4 simple equation [3, 2: the coefficients; \times : the unknown quantity]
 5 identical equation; [a, b, c: algebraic symbols]
 6 logarithmic calculation (taking the logarithm, log); [log: logarithm sign; 3: number whose logarithm is required; 10: the base; 0: the characteristic; 4771: the mantissa; 0.4771: the logarithm]

- 7 simple interest formula [P: the principal; R: rate of interest; T: time; I: interest (profit); %: percentage sign]

8-10 rule of three (rule-of-three sum, simple proportion)

8 statement with the unknown quantity \times

9 equation (conditional equation)

10 solution

11-14 higher mathematics

11 arithmetical series with the elements 2, 4, 6, 8

12 geometrical series

13, 14 infinitesimal calculus

13 derivative [dx, dy: the differentials; d: differential sign]

14 integral (integration) [x: the variable; C: constant of integration; \int : the integral sign; dx: the differential]

$$\textcircled{8} \begin{array}{l} 2 \text{ years @ } \pounds 50 \\ 4 \text{ years @ } \pounds x \end{array}$$

$$\textcircled{9} 2 : 50 = 4 : x$$

$$\textcircled{10} x = \pounds 100$$

$$\textcircled{15} \infty$$

$$\textcircled{16} \equiv$$

$$\textcircled{20} <$$

$$\textcircled{21} \parallel$$

$$\textcircled{11} 2 + 4 + 6 + 8 \dots$$

$$\textcircled{12} 2 + 4 + 8 + 16 + 32 \dots \quad \textcircled{13} \frac{dy}{dx}$$

$$\int ax dx = a \int x dx = \frac{ax^2}{2} + C$$

$$\textcircled{17} \approx$$

$$\textcircled{18} \neq$$

$$\textcircled{22} \sim$$

$$\textcircled{23} \sphericalangle$$

$$\textcircled{19} >$$

$$\textcircled{24} \triangle$$

15-24 mathematical symbols

15 infinity

16 identically equal to (the sign of identity)

17 approximately equal to

18 unequal to

19 greater than

20 less than

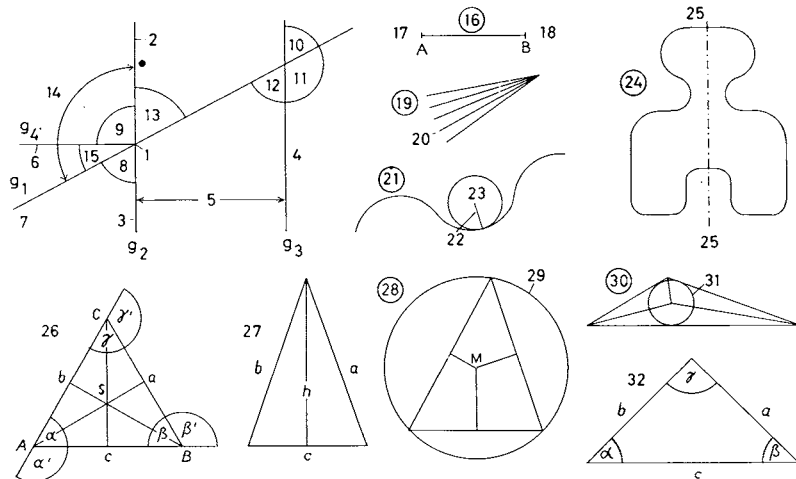
21-24 geometrical symbols

21 parallel (sign of parallelism)

22 similar to (sign of similarity)

23 angle symbol

24 triangle symbol



1-58 plane geometry (elementary geometry, Euclidian geometry)

1-23 point, line, angle

1 point [point of intersection of g_1 and g_2], the angular point of **8**

2, 3 straight line g_2

4 the parallel to g_2

5 distance between the straight lines g_2 and g_3

6 perpendicular (g_4) on g_2

7, 3 the arms of **8**

8, 13 vertically opposite angles

8 angle

9 right angle [90°]

10, 11, 12 reflex angle

10 acute angle, also the alternate angle to **8**

11 obtuse angle

12 corresponding angle to **10**

13, 9, 15 straight angle [180°]

14 adjacent angle; *here*: supplementary angle to **13**

15 complementary angle to **8**

16 straight line AB

17 end A

18 end B

19 pencil of rays

20 ray

21 curved line

22 radius of curvature

23 centre ($Am.$ center) of curvature

24-58 plane surfaces

24 symmetrical figure

25 axis of symmetry

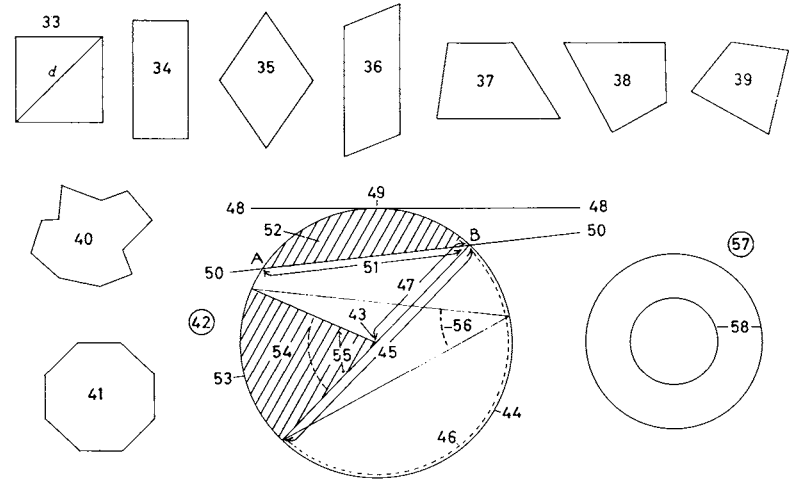
26-32 plane triangles

26 equilateral triangle [A, B, C: the vertices; a, b, c: the sides; α (alpha), β (beta), γ (gamma): the interior angles; α' , β' , γ' : the exterior angles; S: the centre ($Am.$ center)]

27 isosceles triangle [a, b: the sides (legs); c: the base; h: the perpendicular, an altitude]

28 acute-angled triangle with perpendicular bisectors of the sides

29 circumcircle (circumscribed circle)



30 obtuse-angled triangle with bisectors of the angles

31 inscribed circle

32 right-angled triangle and the trigonometrical functions of angles [a, b: the catheti; c: the hypotenuse; γ : the right angle; $a/c = \sin \alpha$ (sine); $b/c = \cos \alpha$ (cosine); $a/b = \tan \alpha$ (tangent); $b/a = \cot \alpha$ (cotangent)]

33-39 quadrilaterals

33-36 parallelograms

33 square [d: a diagonal]

34 rectangle

35 rhombus (rhomb, lozenge)

36 rhomboid

37 trapezium

38 deltoid (kite)

39 irregular quadrilateral

40 polygon

41 regular polygon

42 circle

43 centre ($Am.$ center)

44 circumference (periphery)

45 diameter

46 semicircle

47 radius (r)

48 tangent

49 point of contact (P)

50 secant

51 the chord AB

52 segment

53 arc

54 sector

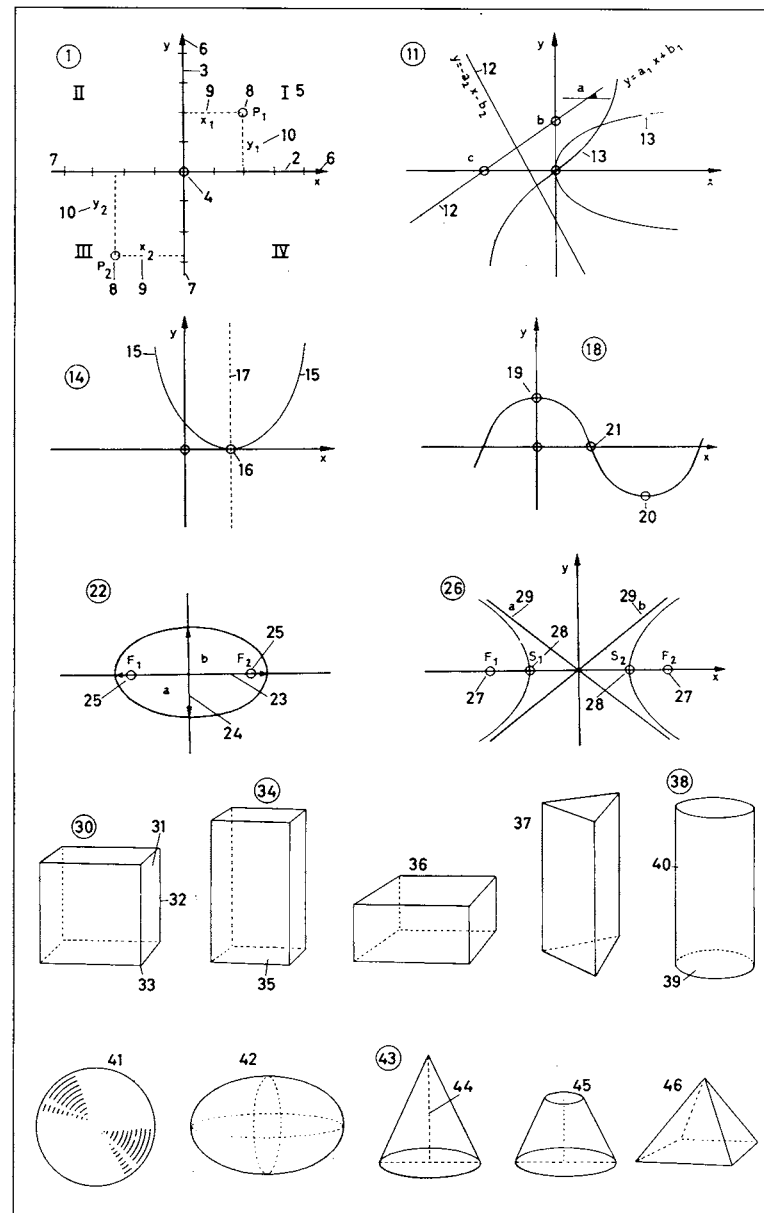
55 angle subtended by the arc at the centre ($Am.$ center) (centre, $Am.$ center, angle)

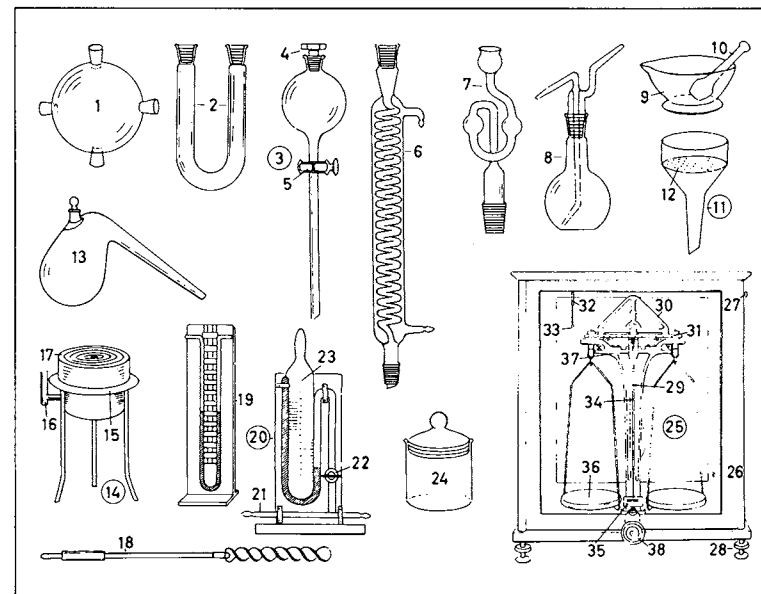
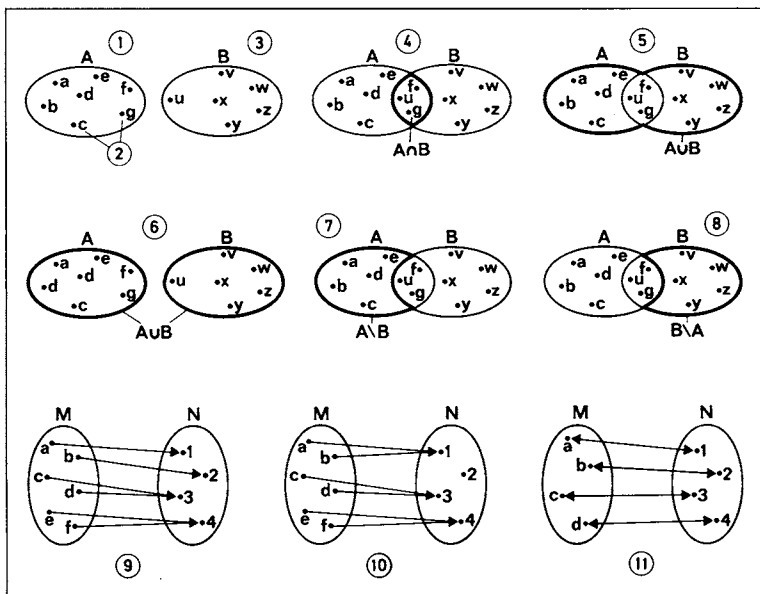
56 circumferential angle

57 ring (annulus)

58 concentric circles

- 1 system of right-angled coordinates
- 2, 3 axes of coordinates (coordinate axes)
- 2 axis of abscissae (x-axis)
- 3 axis of ordinates (y-axis)
- 4 origin of ordinates
- 5 quadrant [I-IV: 1st to 4th quadrant]
- 6 positive direction
- 7 negative direction
- 8 points $[P_1$ and $P_2]$ in the system of coordinates; x_1 and y_1 [and x_2 and y_2 respectively] their coordinates
- 9 values of the abscissae $[x_1$ and $x_2]$ (the abscissae)
- 10 values of the ordinates $[y_1$ and $y_2]$ (the ordinates)
- 11-29 conic sections
- 11 curves in the system of coordinates
- 12 plane curves [a: the gradient (slope) of the curve; b: the ordinates' intersection of the curve; c: the root of the curve]
- 13 inflected curves
- 14 parabola, a curve of the second degree
- 15 branches of the parabola
- 16 vertex of the parabola
- 17 axis of the parabola
- 18 a curve of the third degree
- 19 maximum of the curve
- 20 minimum of the curve
- 21 point of inflexion (of inflection)
- 22 ellipse
- 23 transverse axis (major axis)
- 24 conjugate axis (minor axis)
- 25 foci of the ellipse $[F_1$ and $F_2]$
- 26 hyperbola
- 27 foci $[F_1$ and $F_2]$
- 28 vertices $[S_1$ and $S_2]$
- 29 asymptotes [a and b]
- 30-46 solids
- 30 cube
- 31 square, a plane (plane surface)
- 32 edge
- 33 corner
- 34 quadratic prism
- 35 base
- 36 parallelepiped
- 37 triangular prism
- 38 cylinder, a right cylinder
- 39 base, a circular plane
- 40 curved surface
- 41 sphere
- 42 ellipsoid of revolution
- 43 cone
- 44 height of the cone (cone height)
- 45 truncated cone (frustum of a cone)
- 46 quadrilateral pyramid





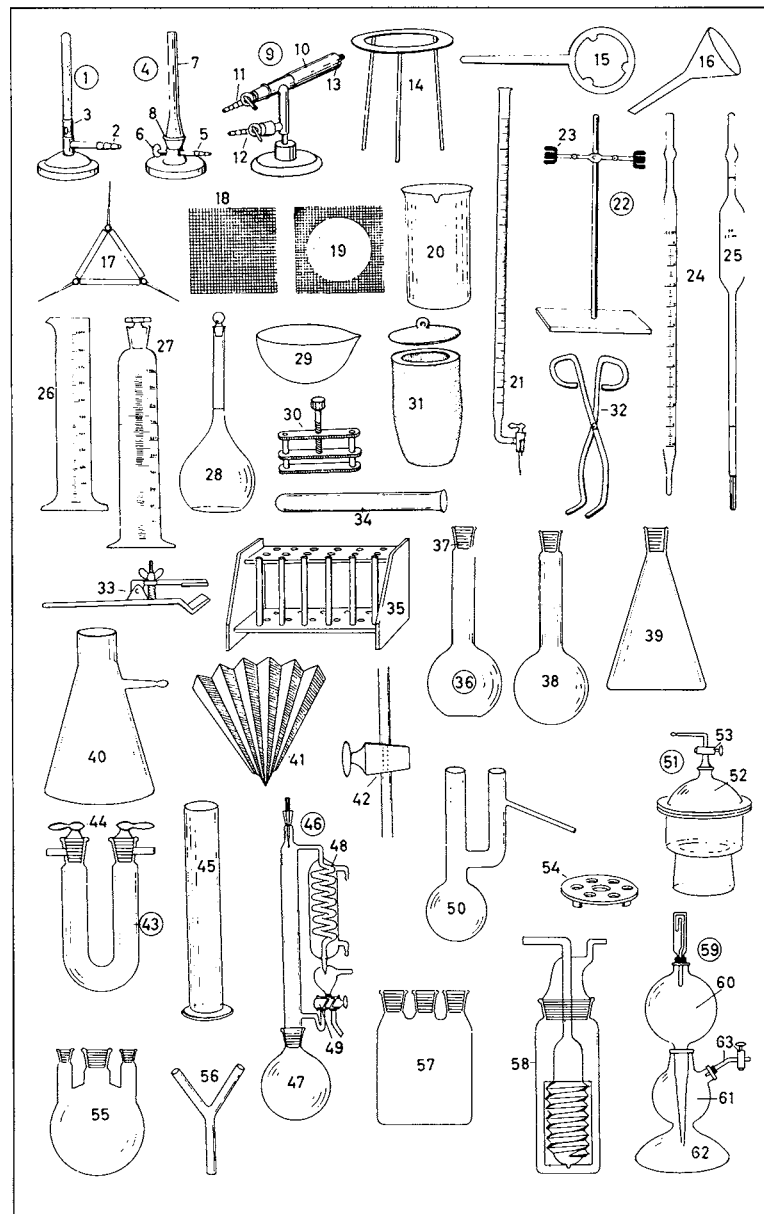
1-38 laboratory apparatus (laboratory equipment)

- | | |
|--|---|
| 1 Scheidt globe | 20 mirror manometer for measuring small pressures |
| 2 U-tube | 21 inlet |
| 3 separating funnel | 22 tap (<i>Am. faucet</i>) |
| 4 octagonal ground-glass stopper | 23 sliding scale |
| 5 tap (<i>Am. faucet</i>) | 24 weighing bottle |
| 6 coiled condenser | 25 analytical balance |
| 7 air lock | 26 case |
| 8 wash-bottle | 27 sliding front panel |
| 9 mortar | 28 three-point support |
| 10 pestle | 29 column (balance column) |
| 11 filter funnel (<i>Büchner funnel</i>) | 30 balance beam (beam) |
| 12 filter (filter plate) | 31 rider bar |
| 13 retort | 32 rider holder |
| 14 water bath | 33 rider |
| 15 tripod | 34 pointer |
| 16 water gauge (<i>Am. gage</i>) | 35 scale |
| 17 insertion rings | 36 scale pan |
| 18 stirrer | 37 stop |
| 19 manometer for measuring positive and negative pressures | 38 stop knob |

1-63 laboratory apparatus (laboratory equipment)

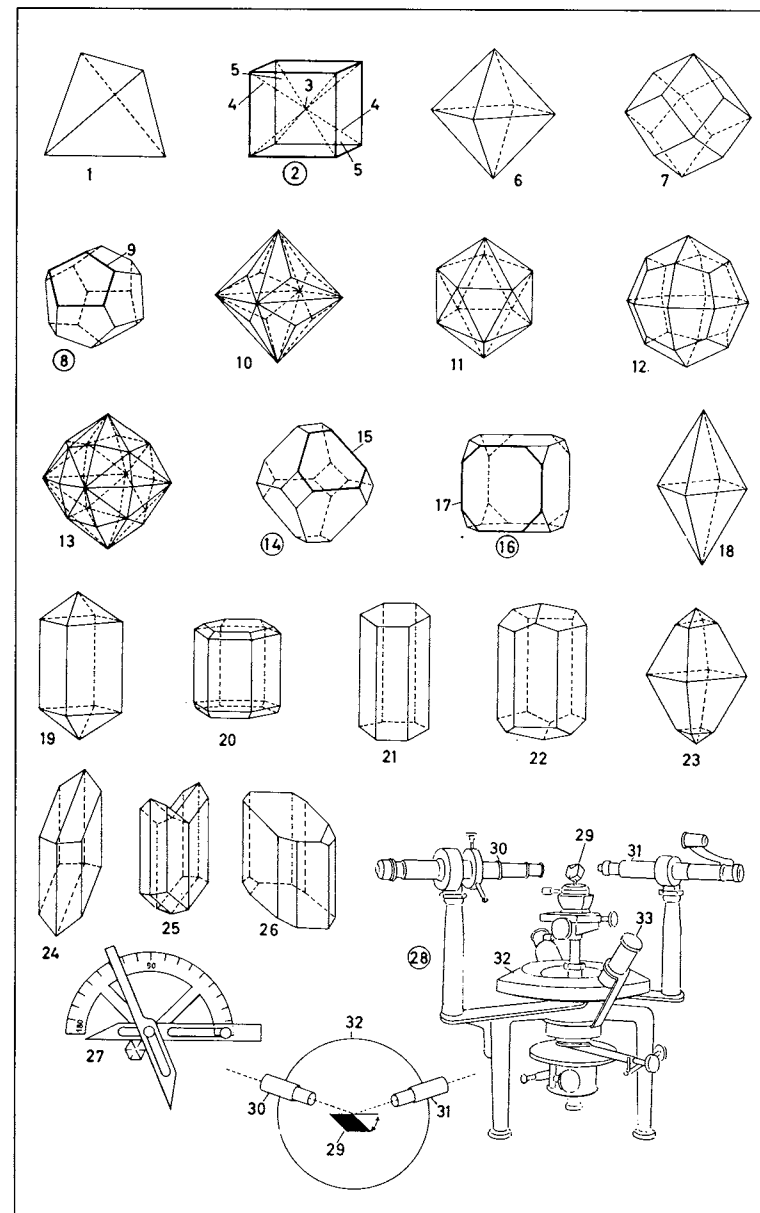
- 1 Bunsen burner
- 2 gas inlet (gas inlet pipe)
- 3 air regulator
- 4 Teclu burner
- 5 pipe union
- 6 gas regulator
- 7 stem
- 8 air regulator
- 9 bench torch
- 10 casing
- 11 oxygen inlet
- 12 hydrogen inlet
- 13 oxygen jet
- 14 tripod
- 15 ring (retort ring)
- 16 funnel
- 17 pipe clay triangle
- 18 wire gauze
- 19 wire gauze with asbestos centre (*Am.* center)
- 20 beaker
- 21 burette (for measuring the volume of liquids)
- 22 burette stand
- 23 burette clamp
- 24 graduated pipette
- 25 pipette
- 26 measuring cylinder (measuring glass)
- 27 measuring flask
- 28 volumetric flask
- 29 evaporating dish (evaporating basin), made of porcelain
- 30 tube clamp (tube clip, pinchcock)
- 31 clay crucible with lid
- 32 crucible tongs
- 33 clamp
- 34 test tube
- 35 test tube rack
- 36 flat-bottomed flask
- 37 ground glass neck
- 38 long-necked round-bottomed flask
- 39 Erlenmeyer flask (conical flask)
- 40 filter flask

- 41 fluted filter
- 42 one-way tap
- 43 calcium chloride tube
- 44 stopper with tap
- 45 cylinder
- 46 distillation apparatus (distilling apparatus)
- 47 distillation flask (distilling flask)
- 48 condenser
- 49 return tap, a two-way tap
- 50 distillation flask (distilling flask, Claisen flask)
- 51 desiccator
- 52 lid with fitted tube
- 53 tap
- 54 desiccator insert made of porcelain
- 55 three-necked flask
- 56 connecting piece (Y-tube)
- 57 three-necked bottle
- 58 gas-washing bottle
- 59 gas generator (Kipp's apparatus, *Am.* Kipp generator)
- 60 overflow container
- 61 container for the solid
- 62 acid container
- 63 gas outlet



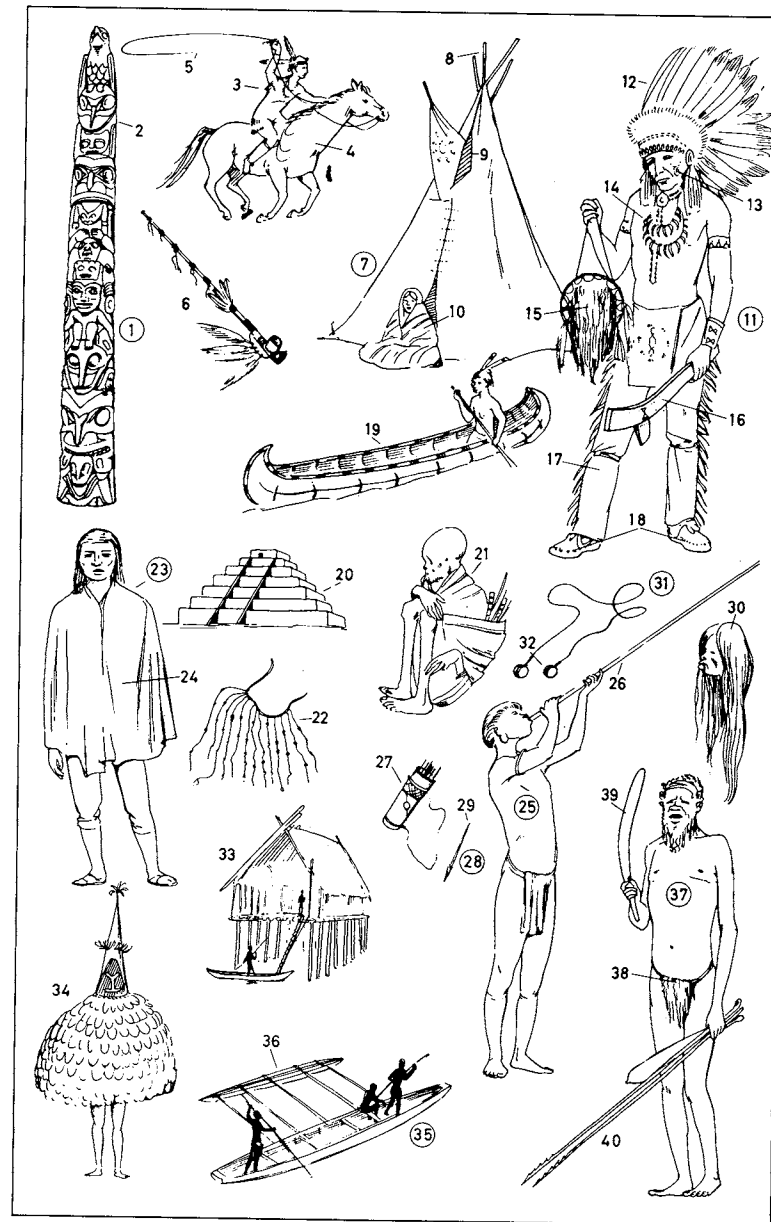
- 1-26 basic crystal forms and crystal combinations** [structure of crystals]
- 1-17 regular** (cubic, tesseral, isometric) **crystal system**
- 1 tetrahedron (four-faced polyhedron) [tetrahedrite, fahlerz, fahl ore]
 - 2 hexahedron (cube, six-faced polyhedron), a holohedron [rock salt]
 - 3 centre (*Am.* center) of symmetry (crystal centre)
 - 4 axis of symmetry (rotation axis)
 - 5 plane of symmetry
 - 6 octahedron (eight-faced polyhedron) [gold]
 - 7 rhombic dodecahedron [garnet]
 - 8 pentagonal dodecahedron [pyrite, iron pyrites]
 - 9 pentagon (five-sided polygon)
 - 10 triakis-octahedron [diamond]
 - 11 icosahedron (twenty-faced polyhedron), a regular polyhedron
 - 12 icositetrahedron (twenty-four-faced polyhedron) [leucite]
 - 13 hexakis-octahedron (hexoctahedron, forty-eight-faced polyhedron) [diamond]
 - 14 octahedron with cube [galena]
 - 15 hexagon (six-sided polygon)
 - 16 cube with octahedron [fluorite, fluorspar]
 - 17 octagon (eight-sided polygon)
- 18, 19 tetragonal crystal system**
- 18 tetragonal dipyrmaid (tetragonal bipyramid)
 - 19 protoprism with protopyramid [zircon]
- 20-22 hexagonal crystal system**
- 20 protoprism with protopyramid, deutero-pyramid and basal pinacoid [apatite]
 - 21 hexagonal prism
 - 22 hexagonal (ditrigonal) biprism with rhombohedron [calcite]

- 23 orthorhombic pyramid (rhombic crystal system) [sulphur, *Am.* sulfur]
- 24, 25 monoclinic crystal system**
- 24 monoclinic prism with clinoprism and hemipyramid (hemi-hedron) [gypsum]
 - 25 orthopinacoid (swallowtail twin crystal) [gypsum]
- 26 triclinic pinacoids** (triclinic crystal system) [copper sulphate, *Am.* copper sulfate]
- 27-33 apparatus for measuring crystals** (for crystallography)
- 27 contact goniometer
 - 28 reflecting goniometer
 - 29 crystal
 - 30 collimator
 - 31 observation telescope
 - 32 divided circle (graduated circle)
 - 33 lens for reading the angle of rotation



- 1 totem pole
- 2 totem, a carved and painted pictorial or symbolic representation
- 3 plains Indian
- 4 mustang, a prairie horse
- 5 lasso, a long throwing-rope with running noose
- 6 pipe of peace
- 7 wigwam (tepee, teepee)
- 8 tent pole
- 9 smoke flap
- 10 squaw, an Indian woman
- 11 Indian chief
- 12 headdress, an ornamental feather headdress
- 13 war paint
- 14 necklace of bear claws
- 15 scalp (cut from enemy's head), a trophy
- 16 tomahawk, a battle axe (*Am. ax*)
- 17 leggings
- 18 moccasin, a shoe of leather and bast
- 19 canoe of the forest Indians
- 20 Maya temple, a stepped pyramid
- 21 mummy
- 22 quipa (knotted threads, knotted code of the Incas)
- 23 Indio (Indian of Central and South America); *here*: highland Indian
- 24 poncho, a blanket with a head opening used as an armless cloak-like wrap
- 25 Indian of the tropical forest
- 26 blowpipe
- 27 quiver
- 28 dart
- 29 dart point
- 30 shrunken head, a trophy
- 31 bola (bolas), a throwing and entangling device
- 32 leather-covered stone or metal ball
- 33 pile dwelling
- 34 duk-duk dancer, a member of a duk-duk (men's secret society)

- 35 outrigger canoe (canoe with outrigger)
- 36 outrigger
- 37 Australian aborigine
- 38 loincloth of human hair
- 39 boomerang, a wooden missile
- 40 throwing stick (spear thrower) with spears

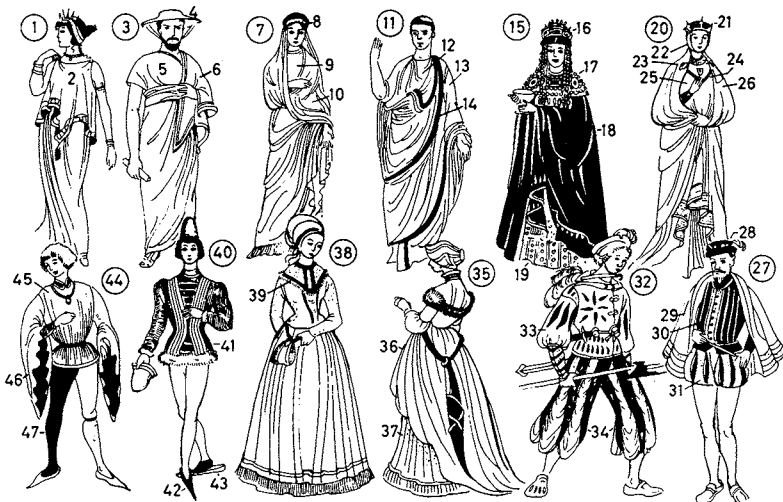


- 1 Eskimo
- 2 sledge dog (sled dog), a husky
- 3 dog sledge (dog sled)
- 4 igloo, a dome-shaped snow hut
- 5 block of snow
- 6 entrance tunnel
- 7 blubber-oil lamp
- 8 wooden missile
- 9 lance
- 10 harpoon
- 11 skin float
- 12 kayak, a light one-man canoe
- 13 skin-covered wooden or bone frame
- 14 paddle
- 15 reindeer harness
- 16 reindeer
- 17 Ostyak (Ostiak)
- 18 passenger sledge
- 19 yurt (yurta), a dwelling tent of the western and central Asiatic nomads
- 20 felt covering
- 21 smoke outlet
- 22 Kirghiz
- 23 sheepskin cap
- 24 shaman
- 25 decorative fringe
- 26 frame drum
- 27 Tibetan
- 28 flintlock with bayonets
- 29 prayer wheel
- 30 felt boot
- 31 houseboat (sampan)
- 32 junk
- 33 mat sail
- 34 rickshaw (ricksha)
- 35 rickshaw coolie (cooly)
- 36 Chinese lantern
- 37 samurai
- 38 padded armour (*Am. armor*)
- 39 geisha
- 40 kimono
- 41 obi
- 42 fan
- 43 coolie (cooly)
- 44 kris (creese, crease), a Malayan dagger
- 45 snake charmer
- 46 turban
- 47 flute
- 48 dancing snake



- 1 camel caravan
- 2 riding animal
- 3 pack animal
- 4 oasis
- 5 grove of palm trees
- 6 bedouin (beduin)
- 7 burnous
- 8 Masai warrior
- 9 headdress (hairdress)
- 10 shield
- 11 painted ox hide
- 12 long-bladed spear
- 13 negro
- 14 dance drum
- 15 throwing knife
- 16 wooden mask
- 17 figure of an ancestor
- 18 slit gong
- 19 drumstick
- 20 dugout, a boat hollowed out of a tree trunk
- 21 negro hut
- 22 negress
- 23 lip plug (labret)
- 24 grinding stone
- 25 Herero woman
- 26 leather cap
- 27 calabash (gourd)
- 28 beehive-shaped hut
- 29 bushman
- 30 earplug
- 31 loincloth
- 32 bow
- 33 knobkerry (knobkerrie), a club with round, knobbed end
- 34 bushman woman making a fire by twirling a stick
- 35 windbreak
- 36 Zulu in dance costume
- 37 dancing stick
- 38 bangle
- 39 ivory war horn
- 40 string of amulets and bones
- 41 pigmy
- 42 magic pipe for exorcising evil spirits
- 43 fetish

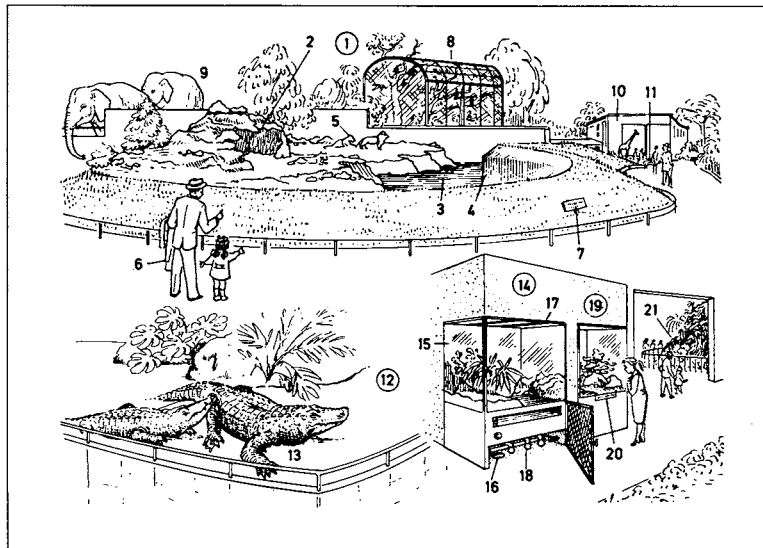




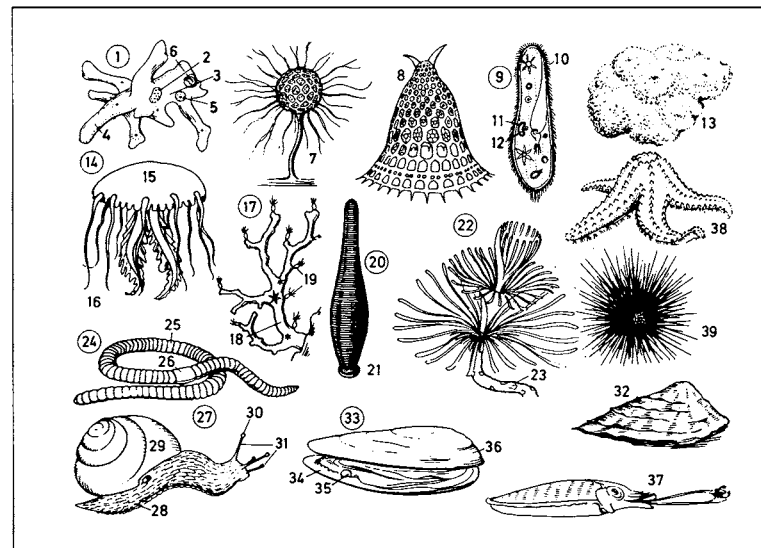
- | | |
|---|---|
| 1 Greek woman | 24 cloak cord |
| 2 peplos | 25 girt-up gown (girt-up surcoat, girt-up tunic) |
| 3 Greek | 26 cloak |
| 4 petasus (Thessalonian hat) | 27 German dressed in the Spanish style [ca. 1575] |
| 5 chiton, a linen gown worn as a basic garment | 28 wide-brimmed cap |
| 6 himation, woollen (<i>Am.</i> woolen) cloak | 29 short cloak (Spanish cloak, short cape) |
| 7 Roman woman | 30 padded doublet (stuffed doublet, peasecod) |
| 8 toupee wig (partial wig) | 31 stuffed trunk-hose |
| 9 stola | 32 lansquenet (German mercenary soldier) [ca. 1530] |
| 10 palla, a coloured (<i>Am.</i> colored) wrap | 33 slashed doublet (paned doublet) |
| 11 Roman | 34 Pluderhose (loose breeches, paned trunk-hose, slops) |
| 12 tunica (tunic) | 35 woman of Basle [ca. 1525] |
| 13 toga | 36 overgown (gown) |
| 14 purple border (purple band) | 37 undergown (petticoat) |
| 15 Byzantine empress | 38 woman of Nuremberg [ca. 1500] |
| 16 pearl diadem | 39 shoulder cape |
| 17 jewels | 40 Burgundian [15th cent.] |
| 18 purple cloak | 41 short doublet |
| 19 long tunic | |
| 20 German princess [13th cent.] | |
| 21 crown (diadem) | |
| 22 chinband | |
| 23 tassel | |



- | | |
|---|--|
| 42 piked shoes (peaked shoes, copped shoes, crackowes, poulaines) | 62 three-cornered hat |
| 43 pattens (clogs) | 63 dress sword |
| 44 young nobleman [ca. 1400] | 64 lady [ca. 1700] |
| 45 short, padded doublet (short, quilted doublet, jerkin) | 65 lace fontange (high headdress of lace) |
| 46 dagged sleeves (petal-scalloped sleeves) | 66 lace-trimmed loose-hanging gown (loose-fitting housecoat, robe de chambre, negligée, contouche) |
| 47 hose | 67 band of embroidery |
| 48 Augsburg patrician lady [ca. 1575] | 68 lady [ca. 1880] |
| 49 puffed sleeve | 69 bustle |
| 50 overgown (gown, open gown, sleeveless gown) | 70 lady [ca. 1858] |
| 51 French lady [ca. 1600] | 71 poke bonnet |
| 52 millstone ruff (cartwheel ruff, ruff) | 72 crinoline |
| 53 corseted waist (wasp waist) | 73 gentleman of the Biedermeier period |
| 54 gentleman [ca. 1650] | 74 high collar (choker collar) |
| 55 wide-brimmed felt hat (cavalier hat) | 75 embroidered waistcoat (vest) |
| 56 falling collar (wide-falling collar) of linen | 76 frock coat |
| 57 white lining | 77 pigtail wig |
| 58 jack boots (bucket-top boots) | 78 ribbon (bow) |
| 59 lady [ca. 1650] | 79 ladies in court dress [ca. 1780] |
| 60 full puffed sleeves (puffed sleeves) | 80 train |
| 61 gentleman [ca. 1700] | 81 upswept Rococo coiffure |
| | 82 hair decoration |
| | 83 panned overskirt |

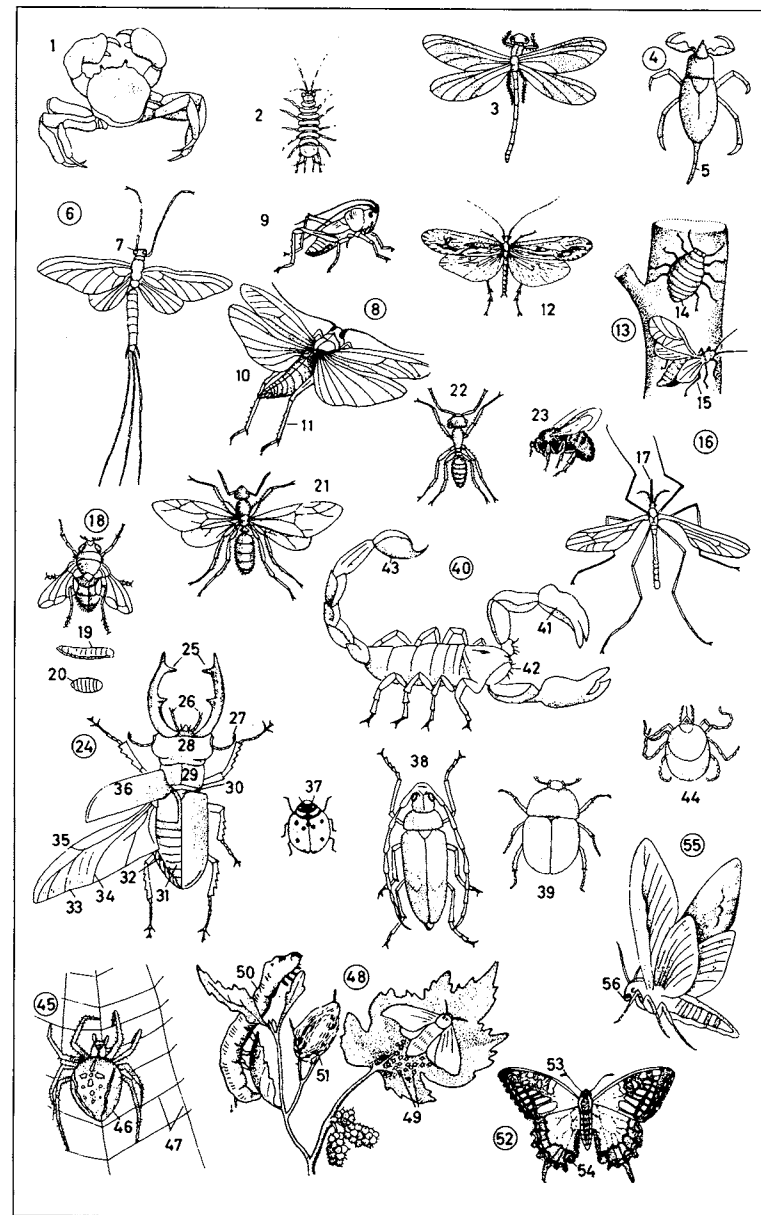


- 1 outdoor enclosure
- 2 rocks
- 3 moat
- 4 enclosing wall
- 5 animals on show; *here*: a pride of lions
- 6 visitor to the zoo
- 7 notice
- 8 aviary
- 9 elephant enclosure
- 10 animal house (*e.g.* carnivore house, giraffe house, elephant house, monkey house)
- 11 outside cage (summer quarters)
- 12 reptile enclosure
- 13 Nile crocodile
- 14 terrarium and aquarium
- 15 glass case
- 16 fresh-air inlet
- 17 ventilator
- 18 underfloor heating
- 19 aquarium
- 20 information plate
- 21 flora in artificially maintained climate



- 1-12 **unicellular** (one-celled, single-celled) **animals** (protozoans)
- 1 amoeba, a rhizopod
- 2 cell nucleus
- 3 protoplasm
- 4 pseudopod
- 5 excretory vacuole (contractile vacuole, an organelle)
- 6 food vacuole
- 7 Actinophrys, a heliozoan
- 8 radiolarian; *here*: siliceous skeleton
- 9 slipper animalcule, a Paramecium (ciliate infusorian)
- 10 cilium
- 11 macronucleus (meganucleus)
- 12 micronucleus
- 13-39 **multicellular animals** (metazoans)
- 13 bath sponge, a porifer (sponge)
- 14 medusa, a discomedusa, a coelenterate
- 15 umbrella
- 16 tentacle
- 17 red coral (precious coral), a coral animal (anthozoan, reef-building animal)
- 18 coral colony
- 19 coral polyp
- 20-26 **worms** (Vermes)
- 20 leech, an annelid
- 21 sucker
- 22 Spirographis, a bristle worm
- 23 tube
- 24 earthworm
- 25 segment
- 26 clitellum [accessory reproductive organ]
- 27-36 **molluscs** (*Am.* mollusks)
- 27 edible snail, a snail
- 28 creeping foot
- 29 shell (snail shell)
- 30 stalked eye
- 31 tentacles (feelers)
- 32 oyster
- 33 freshwater pearl mussel
- 34 mother-of-pearl (nacre)
- 35 pearl
- 36 mussel shell
- 37 cuttlefish, a cephalopod
- 38, 39 **echinoderms**
- 38 starfish (sea star)
- 39 sea urchin (sea hedgehog)

- 1, 2 crustaceans**
 1 mitten crab, a crab
 2 water slater
3-39, 48-56 insects
 3 water nymph (dragonfly), a homopteran (homopterous insect)
 4 water scorpion (water bug), a rhynchophore
 5 raptorial leg
 6 mayfly (dayfly, ephemerid)
 7 compound eye
 8 green grasshopper (green locust, meadow grasshopper), an orthopteron (orthopterous insect)
 9 larva (grub)
 10 adult insect, an imago
 11 leaping hind leg
 12 caddis fly (spring fly, water moth), a neuropteran
 13 aphid (greenfly), a plant louse
 14 wingless aphid
 15 winged aphid
16-20 dipterous insects (dipterans)
 16 gnat (mosquito, midge), a culicid
 17 proboscis (sucking organ)
 18 bluebottle (blowfly), a fly
 19 maggot (larva)
 20 chrysalis (pupa)
21-23 Hymenoptera
 21, 22 ant
 21 winged female
 22 worker
 23 bumblebee (humblebee)
24-39 beetles (Coleoptera)
 24 stag beetle, a lamellicorn beetle
 25 mandibles
 26 trophi
 27 antenna (feeler)
 28 head
 29, 30 thorax
 29 thoracic shield (prothorax)
 30 scutellum
 31 tergites
 32 stigma
 33 wing (hind wing)
 34 nervure
 35 point at which the wing folds
 36 elytron (forewing)
 37 ladybird (*Am. ladybug*), a coccinellid
 38 *Ergates faber*, a longicorn beetle (longicorn)
 39 dung beetle, a lamellicorn beetle
40-47 arachnids
 40 *Euscorpium flavicandus*, a scorpion
 41 cheliped with chelicer
 42 maxillary antenna (maxillary feeler)
 43 tail sting
44-46 spiders
 44 wood tick (dog tick)
 45 cross spider (garden spider), an orb spinner
 46 spinneret
 47 spider's web (web)
48-56 Lepidoptera (butterflies and moths)
 48 mulberry-feeding moth (silk moth), a bombycid moth
 49 eggs
 50 silkworm
 51 cocoon
 52 swallowtail, a butterfly
 53 antenna (feeler)
 54 eyespot
 55 privet hawkmoth, a hawkmoth (sphinx)
 56 proboscis



1-3 flightless birds

- 1 cassowary; *sim.*: emu
- 2 ostrich
- 3 clutch of ostrich eggs [12 - 14 eggs]
- 4 king penguin, a penguin, a flightless bird

5-10 web-footed birds

- 5 white pelican
- 6 webfoot (webbed foot)
- 7 web (palmations) of webbed foot (palmate foot)
- 8 lower mandible with gular pouch
- 9 northern gannet (gannet, solan goose), a gannet
- 10 green cormorant (shag), a cormorant displaying with spread wings

11-14 long-winged birds (seabirds)

- 11 common sea swallow, a sea swallow (tern), diving for food
- 12 fulmar
- 13 guillemot, an auk
- 14 black-headed gull (mire crow), a gull

15-17 Anseres

- 15 goosander (common merganser), a sawbill
- 16 mute swan, a swan
- 17 knob on the bill
- 18 common heron, a heron

19-21 plovers

- 19 stilt (stilt bird, stilt plover)
- 20 coot, a rail
- 21 lapwing (green plover, peewit, pewit)

- 22 quail, a gallinaceous bird

- 23 turtle dove, a pigeon

- 24 swift

- 25 hoopoe, a roller

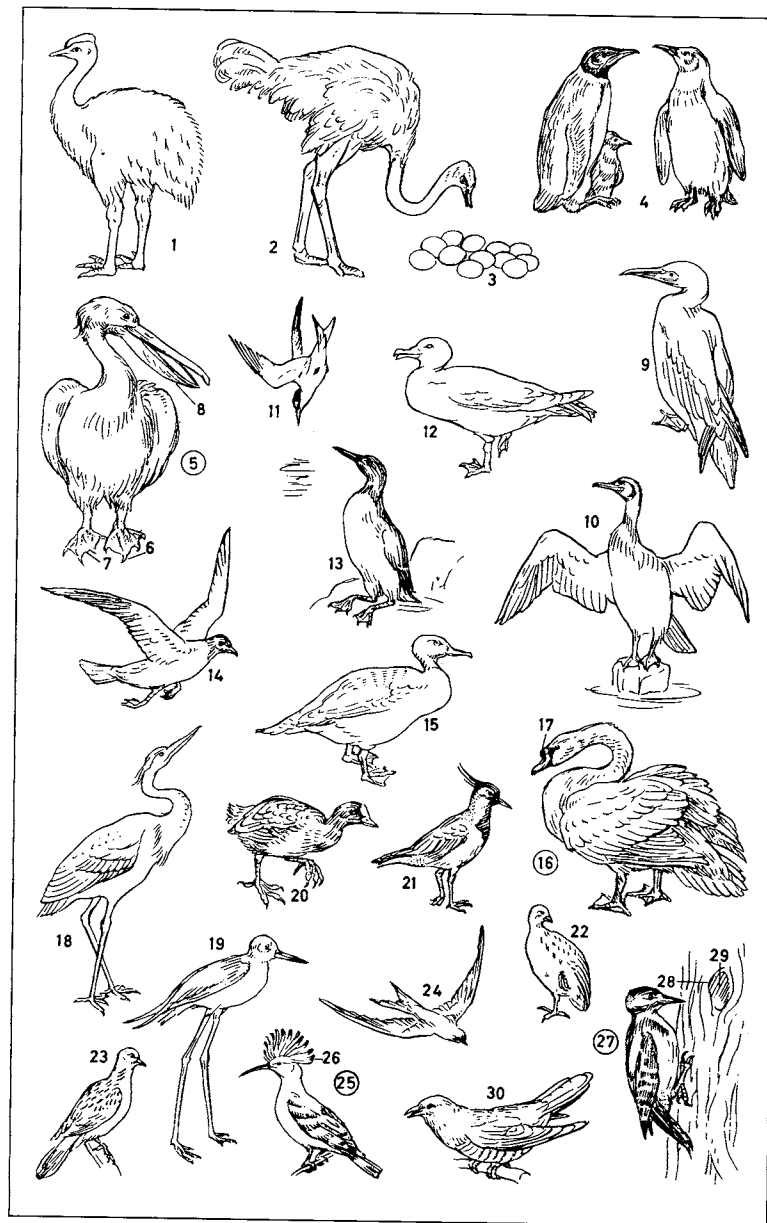
- 26 erectile crest

- 27 spotted woodpecker, a woodpecker; *related*: wryneck

- 28 entrance to the nest

- 29 nesting cavity

- 30 cuckoo



1, 3, 4, 5, 7, 9, 10 songbirds

1 goldfinch, a finch

2 bee eater

3 redstart (star finch), a thrush

4 bluetit, a tit (titmouse), a resident
bird (non-migratory bird)

5 bullfinch

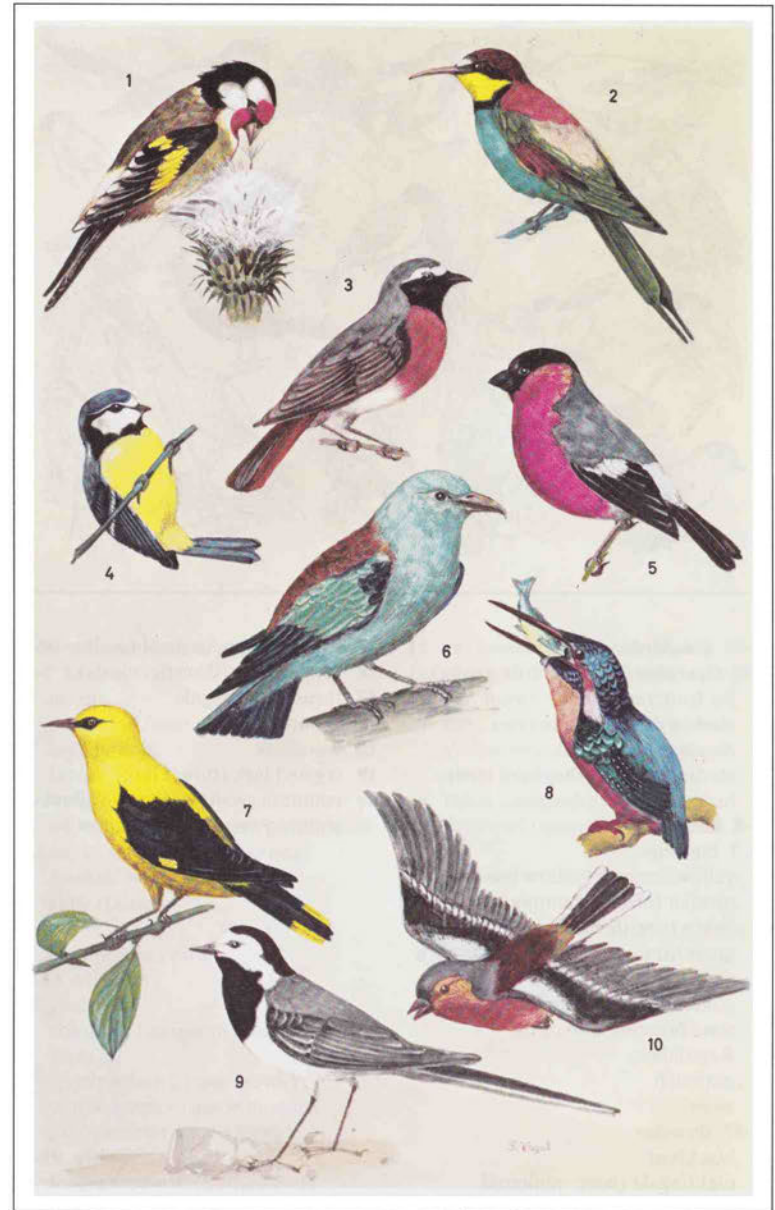
6 common roller (roller)

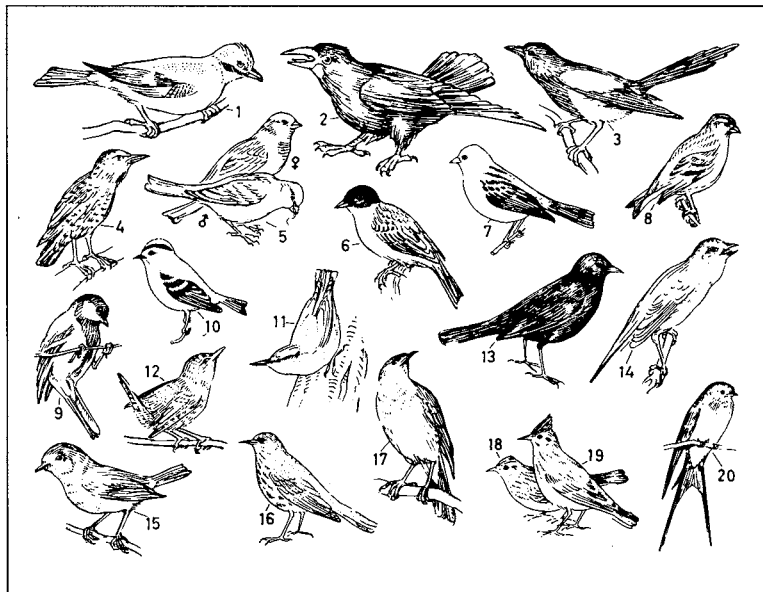
7 golden oriole, a migratory bird

8 kingfisher

9 white wagtail, a wagtail

10 chaffinch



**1-20 songbirds****1-3 Corvidae** (corvine birds, crows)

1 jay (nutcracker)

2 rook, a crow

3 magpie

4 starling (pastor, shepherd bird)

5 house sparrow

6-8 finches

6, 7 buntings

6 yellowhammer (yellow bunting)

7 ortolan (ortolan bunting)

8 siskin (aberdevine)

9 great titmouse (great tit, ox eye), a titmouse (tit)

10 golden-crested wren (goldcrest);
sim.: firecrest, one of the
Regulidae

11 nuthatch

12 wren

13-17 thrushes

13 blackbird

14 nightingale (*poet.*: philomel,
philomela)

15 robin (redbreast, robin redbreast)

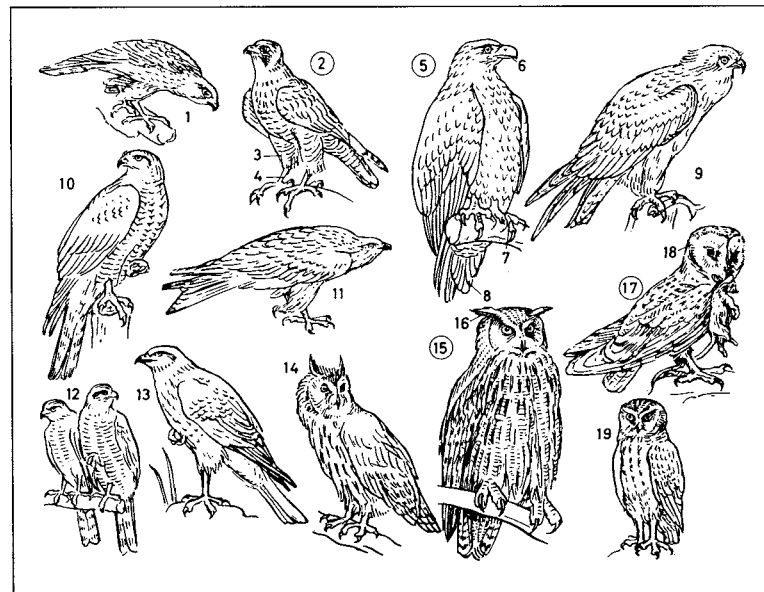
16 song thrush (throstle, mavis)

17 thrush nightingale

18, 19 larks

18 woodlark

19 crested lark (tufted lark)

20 common swallow (barn swallow,
chimney swallow), a swallow**1-13 diurnal birds of prey****1-4 falcons**

1 merlin

2 peregrine falcon

3 leg feathers

4 tarsus

5-9 eagles5 white-tailed sea eagle (white-tailed
eagle, grey sea eagle, erne)

6 hooked beak

7 claw (talon)

8 tail

9 common buzzard

10-13 accipiters

10 goshawk

11 common European kite (glede,
kite)

12 sparrow hawk (spar-hawk)

13 marsh harrier (moor buzzard,
moor harrier, moor hawk)**14-19 owls**

14 long-eared owl (horned owl)

15 eagle-owl (great horned owl)

16 plumicorn (feathered ear, ear tuft,
ear, horn)17 barn owl (white owl, silver owl,
yellow owl, church owl, screech
owl)

18 facial disc (disk)

19 little owl (sparrow owl)

- 1 sulphur-crested cockatoo, a parrot
- 2 blue-and-yellow macaw
- 3 blue bird of paradise
- 4 sappho
- 5 cardinal (cardinal bird)
- 6 toucan (red-billed toucan), one of the Piciformes



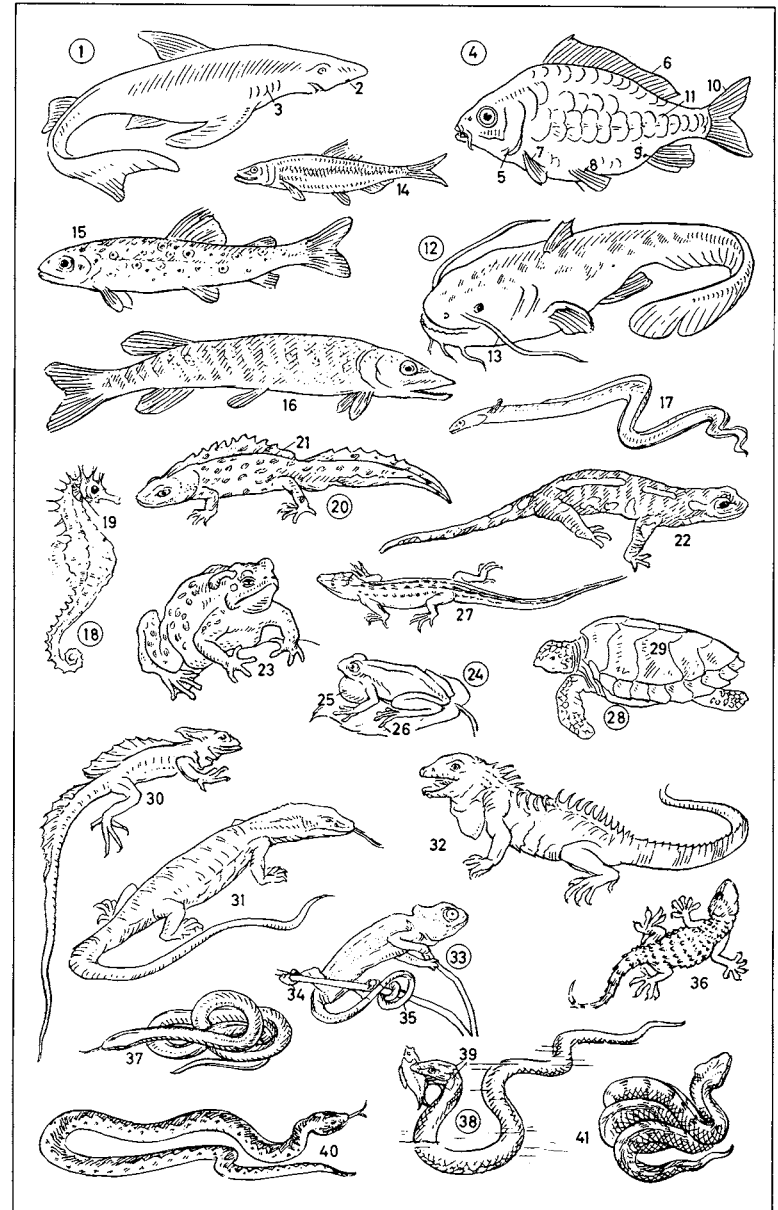
1-18 fishes

- 1 man-eater (blue shark, requin), a shark
 2 nose (snout)
 3 gill slit (gill cleft)
 4 mirror carp
 5 gill cover (operculum)
 6 dorsal fin
 7 pectoral fin
 8 pelvic fin (abdominal fin, ventral fin)
 9 anal fin
 10 caudal fin (tail fin)
 11 scale
 12 catfish (sheatfish, sheathfish, wels)
 13 barbel
 14 herring
 15 brown trout
 16 pike (northern pike)
 17 freshwater eel (eel)
 18 sea horse (Hippocampus, horsefish)
 19 tufted gills
20-26 Amphibia (amphibians)
20-22 salamanders
 20 greater water newt (crested newt), a water newt
 21 dorsal crest
 22 fire salamander, a salamander
23-26 salientians (anurans, batrachians)
 23 European toad, a toad
 24 tree frog (tree toad)
 25 vocal sac (vocal pouch, croaking sac)
 26 adhesive disc (disk)

27-41 reptiles

- 27, 30-37 lizards
 27 sand lizard
 28 hawksbill turtle (hawksbill)
 29 carapace (shell)
 30 basilisk
 31 desert monitor, a monitor lizard (monitor)
 32 common iguana, an iguana
 33 chameleon, one of the Chamaeleontidae (Rhipitoglossa)
 34 prehensile foot

- 35 prehensile tail
 36 wall gecko, a gecko
 37 slowworm (blindworm), one of the Anguidae
38-41 snakes
 38 ringed snake (ring snake, water snake, grass snake), a colubrid
 39 collar
 40, 41 vipers (adders)
 40 common viper, a poisonous (venomous) snake
 41 asp (asp viper)

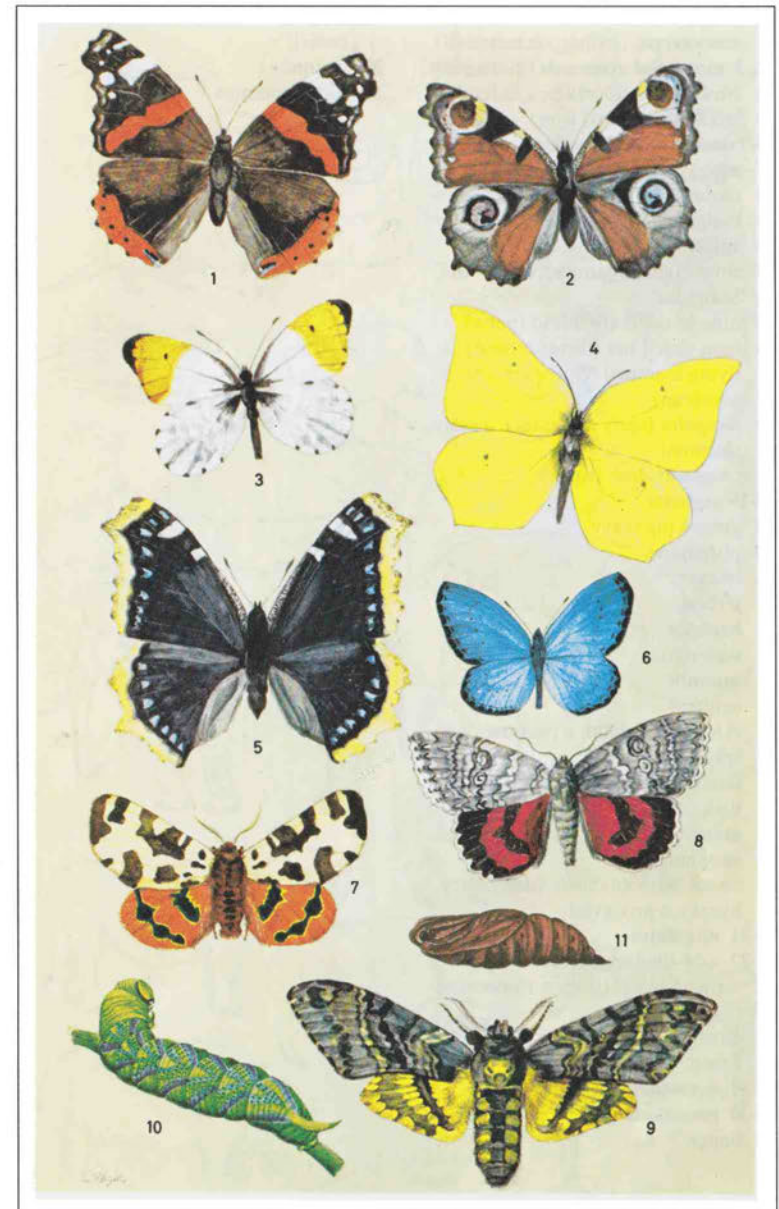


1-6 butterflies

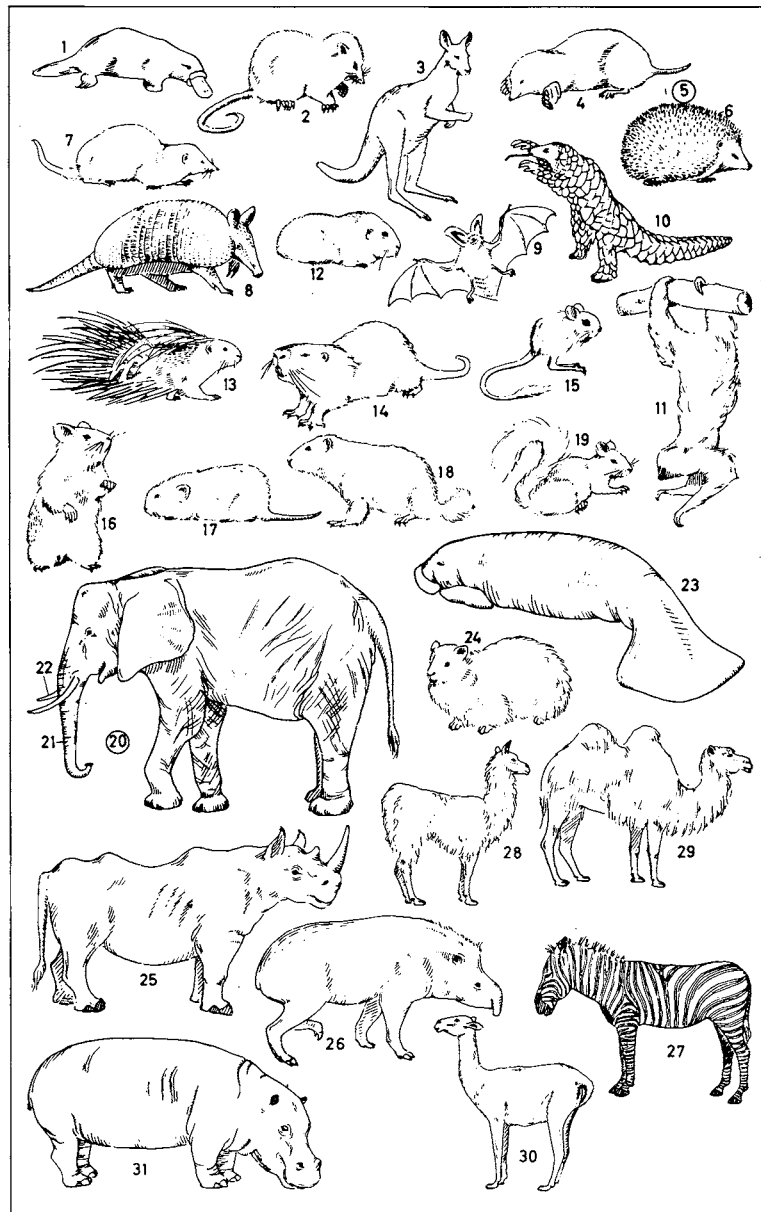
- 1 red admiral
- 2 peacock butterfly
- 3 orange tip (orange tip butterfly)
- 4 brimstone (brimstone butterfly)
- 5 Camberwell beauty (mourning cloak, mourning cloak butterfly)
- 6 blue (lycaenid butterfly, lycaenid)

7-11 moths (Heterocera)

- 7 garden tiger
- 8 red underwing
- 9 death's-head moth (death's-head hawkmoth), a hawkmoth (sphinx)
- 10 caterpillar
- 11 chrysalis (pupa)



- 1 platypus (duck-bill, duck-mole), a monotreme (oviparous mammal)
 2, 3 marsupial mammals (marsupials)
 2 New World opossum, a didelphid
 3 red kangaroo (red flyer), a kangaroo
 4-7 insectivores (insect-eating mammals)
 4 mole
 5 hedgehog
 6 spine
 7 shrew (shrew mouse), one of the Soricidae
 8 nine-banded armadillo (peba)
 9 long-eared bat (flutter-mouse), a flying mammal (chiropter, chiropteran)
 10 pangolin (scaly ant-eater), a scaly mammal
 11 two-toed sloth (unau)
 12-19 rodents
 12 guinea pig (cavy)
 13 porcupine
 14 beaver
 15 jerboa
 16 hamster
 17 water vole
 18 marmot
 19 squirrel
 20 African elephant, a proboscidean (proboscidian)
 21 trunk (proboscis)
 22 tusk
 23 manatee (manati, lamantin), a sirenian
 24 South African dassie (das, coney, hyrax), a procaviid
 25-31 ungulates
 25-27 odd-toed ungulates
 25 African black rhino, a rhinoceros (nasicorn)
 26 Brazilian tapir, a tapir
 27 zebra
 28-31 even-toed ungulates
 28-30 ruminants
 28 llama
 29 Bactrian camel (two-humped camel)
 30 guanaco
 31 hippopotamus



1-10 ungulates, ruminants

- 1 elk (moose)
- 2 wapiti (*Am. elk*)
- 3 chamois
- 4 giraffe
- 5 black buck, an antelope
- 6 mouflon (mouflon)
- 7 ibex (rock goat, bouquetin, steinbock)
- 8 water buffalo (*Indian buffalo, water ox*)
- 9 bison
- 10 musk ox

11-22 carnivores (beasts of prey)**11-13 Canidae**

- 11 black-backed jackal (*jackal*)
- 12 red fox
- 13 wolf

14-17 martens

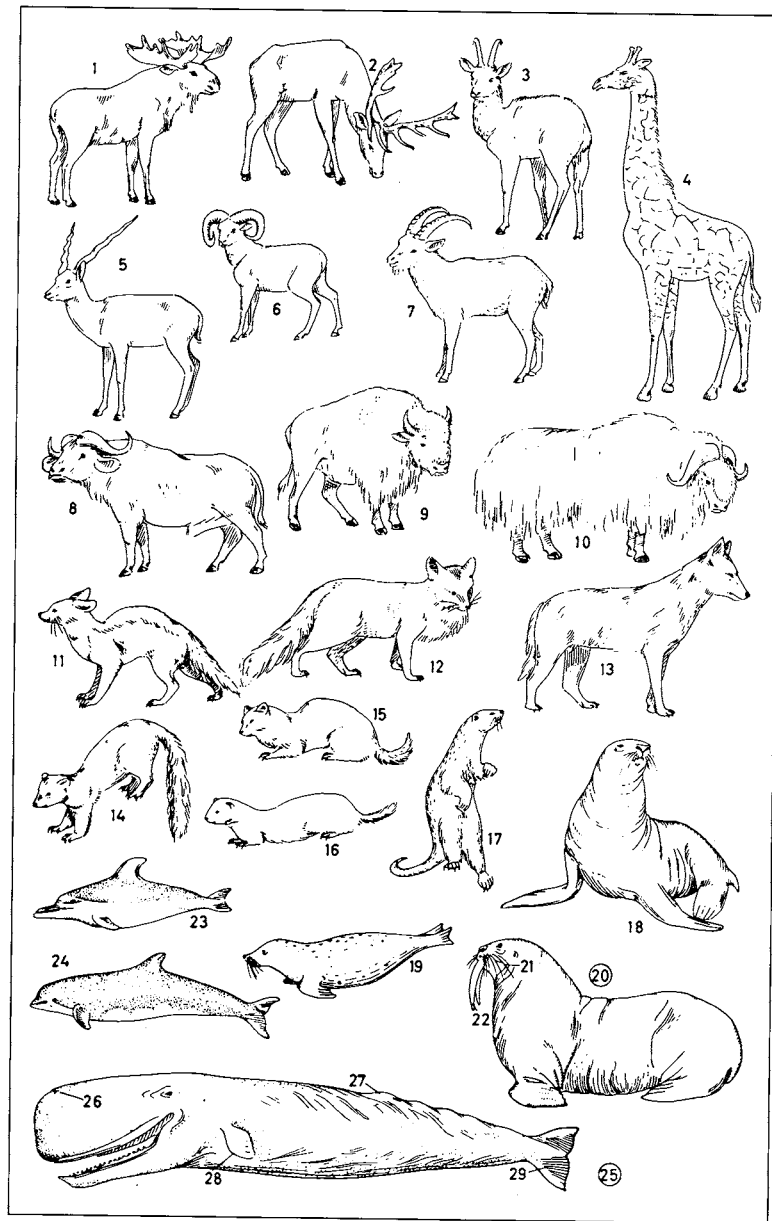
- 14 stone marten (*beach marten*)
- 15 sable
- 16 weasel
- 17 sea otter, an otter

18-22 seals (pinnipeds)

- 18 fur seal (*sea bear, ursine seal*)
- 19 common seal (*sea calf, sea dog*)
- 20 walrus (*morse*)
- 21 whiskers
- 22 tusk

23-29 whales

- 23 bottle-nosed dolphin (*bottle-nose dolphin*)
- 24 common dolphin
- 25 sperm whale (*cachalot*)
- 26 blowhole (*spout hole*)
- 27 dorsal fin
- 28 flipper
- 29 tail flukes (*tail*)



1-11 carnivores (beasts of prey)

1 striped hyena, a hyena

2-8 felines (cats)

2 lion

3 mane (lion's mane)

4 paw

5 tiger

6 leopard

7 cheetah (hunting leopard)

8 lynx

9-11 bears9 raccoon (raccoon, *Am. coon*)

10 brown bear

11 polar bear (white bear)

12-16 primates

12, 13 monkeys

12 rhesus monkey (rhesus, rhesus macaque)

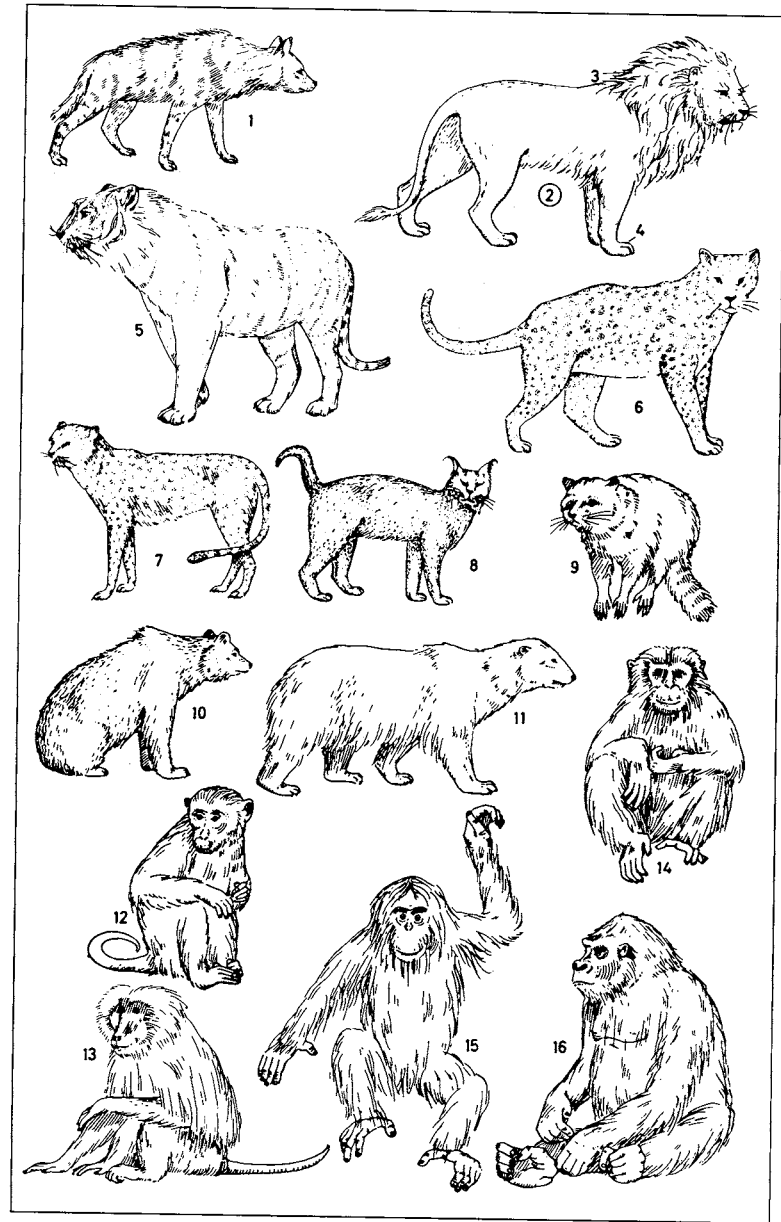
13 baboon

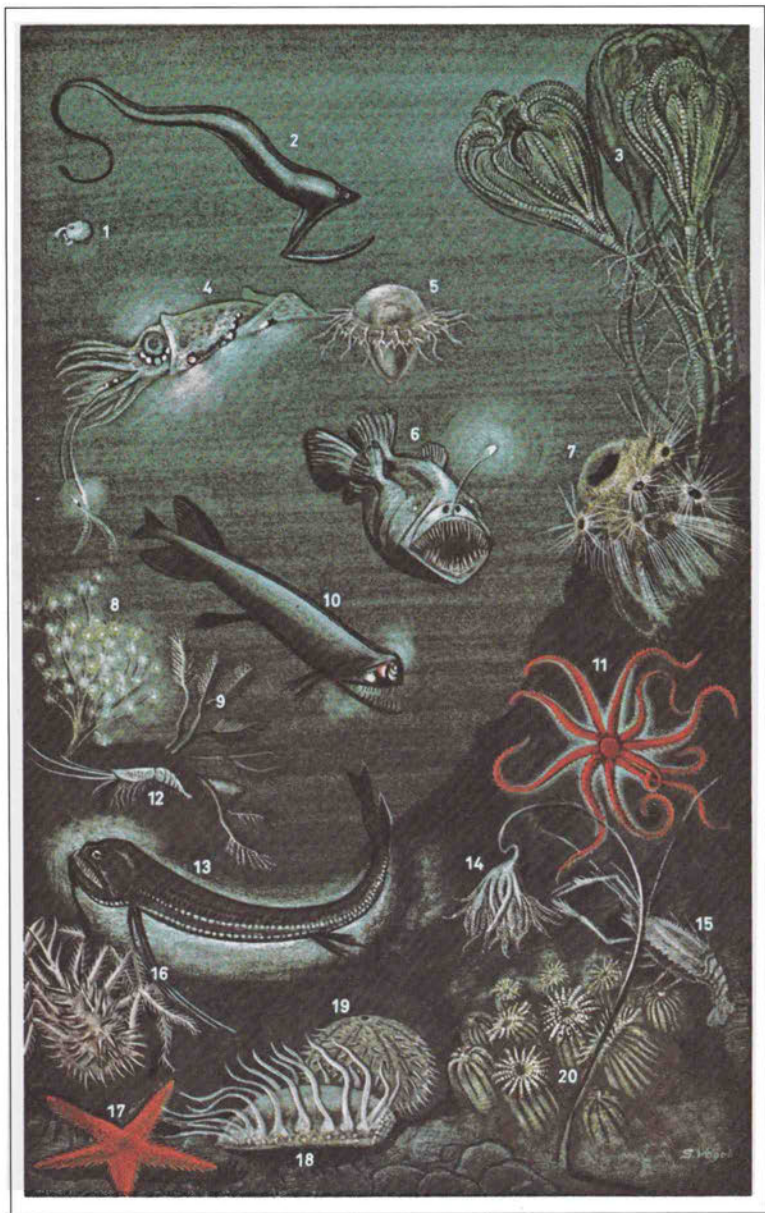
14-16 anthropoids (anthropoid apes, great apes)

14 chimpanzee

15 orang-utan (orang-outan)

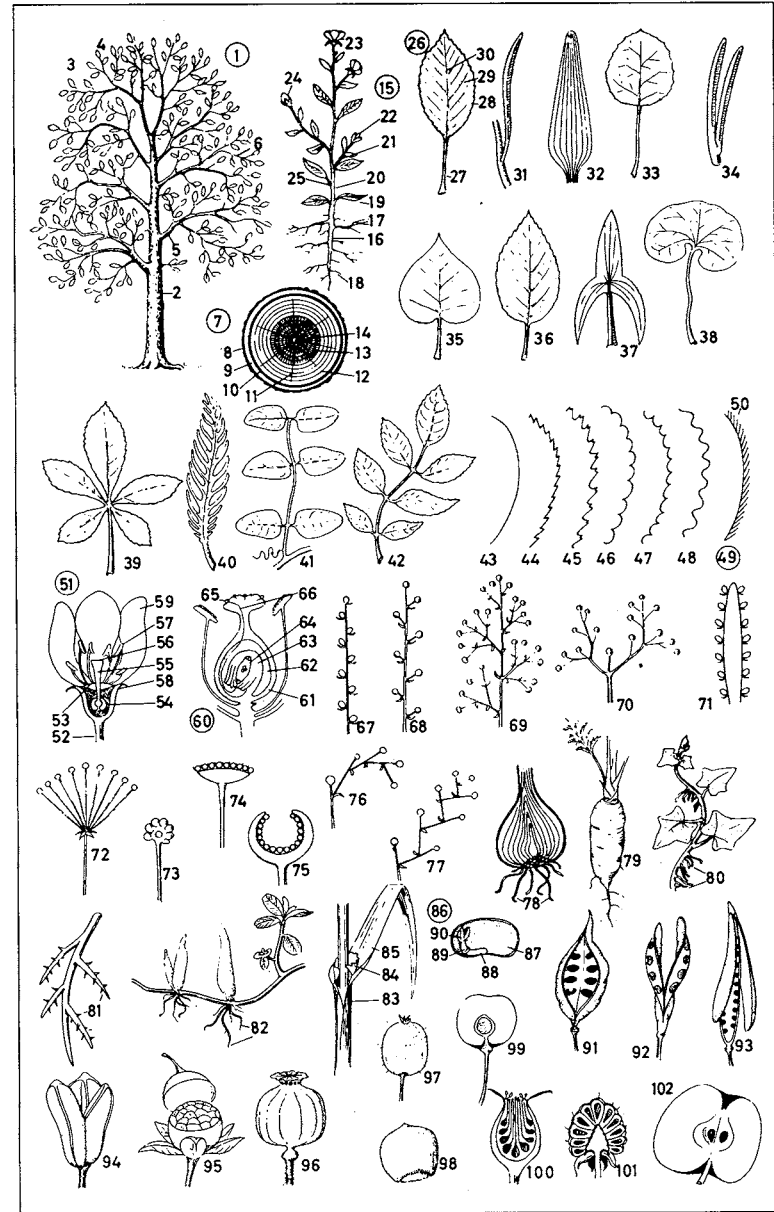
16 gorilla





- 1 *Gigantocypris agassizi*
- 2 *Eupharynx pelecyanoides* (pelican eel, pelican fish)
- 3 *Metacrinus* (feather star), a sea lily, an echinoderm
- 4 *Lycoteuthis diadema* (jewelled squid), a cuttlefish [luminescent]
- 5 *Atolla*, a deep-sea medusa, a coelenterate
- 6 *Melanocetes*, a pediculate [luminescent]
- 7 *Lophocalyx philippensis*, a glass sponge
- 8 *Mopsea*, a sea fan [colony]
- 9 *Hydrallmania*, a hydroid polyp, a coelenterate [colony]
- 10 *Malacosteus indicus*, a stomiatid [luminescent]
- 11 *Brisinga endecacnemus*, a sand star (brittle star), an echinoderm [luminescent only when stimulated]
- 12 *Pasiphaea*, a shrimp, a crustacean
- 13 *Echiostoma*, a stomiatid, a fish [luminescent]
- 14 *Umbellula encrinus*, a sea pen (sea feather), a coelenterate [colony, luminescent]
- 15 *Polycheles*, a crustacean
- 16 *Lithodes*, a crustacean, a crab
- 17 *Archaster*, a starfish (sea star), an echinoderm
- 18 *Oneirophanta*, a sea cucumber, an echinoderm
- 19 *Palaeopneustes niasicus*, a sea urchin (sea hedgehog), an echinoderm
- 20 *Chitonactis*, a sea anemone (actinia), a coelenterate

- 1 tree
 2 bole (tree trunk, trunk, stem)
 3 crown of tree (crown)
 4 top of tree (treetop)
 5 bough (limb, branch)
 6 twig (branch)
 7 bole (tree trunk) [cross section]
 8 bark (rind)
 9 phloem (bast sieve tissue, inner fibrous bark)
 10 cambium (cambium ring)
 11 medullary rays (vascular rays, pith rays)
 12 sapwood (sap, alburnum)
 13 heartwood (duramen)
 14 pith
 15 **plant**
 16-18 root
 16 primary root
 17 secondary root
 18 root hair
 19-25 shoot (sprout)
 19 leaf
 20 stalk
 21 side shoot (offshoot)
 22 terminal bud
 23 flower
 24 flower bud
 25 leaf axil with axillary bud
 26 **leaf**
 27 leaf stalk (petiole)
 28 leaf blade (blade, lamina)
 29 venation (veins, nervures, ribs)
 30 midrib (nerve)
 31-38 leaf shapes
 31 linear
 32 lanceolate
 33 orbicular (orbiculate)
 34 acerose (acerous, acerate, acicular, needle-shaped)
 35 cordate
 36 ovate
 37 sagittate
 38 reniform
 39-42 compound leaves
 39 digitate (digitated, palmate, quinquefoliate)
 40 pinnatifid
 41 abruptly pinnate
 42 odd-pinnate
 43-50 leaf margin shapes
 43 entire
 44 serrate (serrulate, saw-toothed)
 45 doubly toothed
 46 crenate
 47 dentate
 48 sinuate
 49 ciliate (ciliated)
 50 cilium
 51 **flower**
 52 flower stalk (flower stem, scape)
 53 receptacle (floral axis, thalamus, torus)
 54 ovary
 55 style
 56 stigma
 57 stamen
 58 sepal
 59 petal
 60 ovary and stamen [section]
 61 ovary wall
 62 ovary cavity
 63 ovule
 64 embryo sac
 65 pollen
 66 pollen tube
 67-77 inflorescences
 67 spike (racemose spike)
 68 raceme (simple raceme)
 69 panicle
 70 cyme
 71 spadix (fleshy spike)
 72 umbel (simple umbel)
 73 capitulum
 74 composite head (discoid flower head)
 75 hollow flower head
 76 bostryx (helicoid cyme)
 77 cincinnus (scorpioid cyme, curled cyme)
 78-82 roots
 78 adventitious roots
 79 tuber (tuberous root, swollen taproot)
 80 adventitious roots (aerial roots)
 81 root thorns
 82 pneumatophores
 83-85 blade of grass
 83 leaf sheath
 84 ligule (ligula)
 85 leaf blade (lamina)
 86 embryo (seed, germ)
 87 cotyledon (seed leaf, seed lobe)
 88 radicle
 89 hypocotyl
 90 plumule (leaf bud)
 91-102 fruits
 91-96 dehiscent fruits
 91 follicle
 92 legume (pod)
 93 siliqua (pod)
 94 schizocarp
 95 pyxidium (circumscissile seed vessel)
 96 poricidal capsule (porose capsule)
 97-102 indehiscent fruits
 97 berry
 98 nut
 99 drupe (stone fruit) (cherry)
 100 aggregate fruit (compound fruit) (rose hip)
 101 aggregate fruit (compound fruit) (raspberry)
 102 pome (apple)



1-73 deciduous trees

- 1 oak (oak tree)
- 2 flowering branch
- 3 fruiting branch
- 4 fruit (acorn)
- 5 cupule (cup)
- 6 female flower
- 7 bract
- 8 male inflorescence
- 9 birch (birch tree)
- 10 branch with catkins, a flowering branch
- 11 fruiting branch
- 12 scale (catkin scale)
- 13 female flower
- 14 male flower
- 15 poplar
- 16 flowering branch
- 17 flower
- 18 fruiting branch
- 19 fruit
- 20 seed
- 21 leaf of the aspen (trembling poplar)
- 22 infructescence
- 23 leaf of the white poplar (silver poplar, silverleaf)
- 24 sallow (goat willow)
- 25 branch with flower buds
- 26 catkin with single flower
- 27 branch with leaves
- 28 fruit
- 29 osier branch with leaves
- 30 alder
- 31 fruiting branch
- 32 branch with previous year's cone
- 33 beech (beech tree)
- 34 flowering branch
- 35 flower
- 36 fruiting branch
- 37 beech nut
- 38 ash (ash tree)
- 39 flowering branch
- 40 flower
- 41 fruiting branch
- 42 mountain ash (rowan, quickbeam)
- 43 inflorescence

- 44 infructescence
- 45 fruit [longitudinal section]
- 46 lime (lime tree, linden, linden tree)
- 47 fruiting branch
- 48 inflorescence
- 49 elm (elm tree)
- 50 fruiting branch
- 51 flowering branch
- 52 flower
- 53 maple (maple tree)
- 54 flowering branch
- 55 flower
- 56 fruiting branch
- 57 maple seed with wings (winged maple seed)
- 58 horse chestnut (horse chestnut tree, chestnut, chestnut tree, buck-eye)
- 59 branch with young fruits
- 60 chestnut (horse chestnut)
- 61 mature (ripe) fruit
- 62 flower [longitudinal section]
- 63 hornbeam (yoke elm)
- 64 fruiting branch
- 65 seed
- 66 flowering branch
- 67 plane (plane tree)
- 68 leaf
- 69 infructescence and fruit
- 70 false acacia (locust tree)
- 71 flowering branch
- 72 part of the infructescence
- 73 base of the leaf stalk with stipules



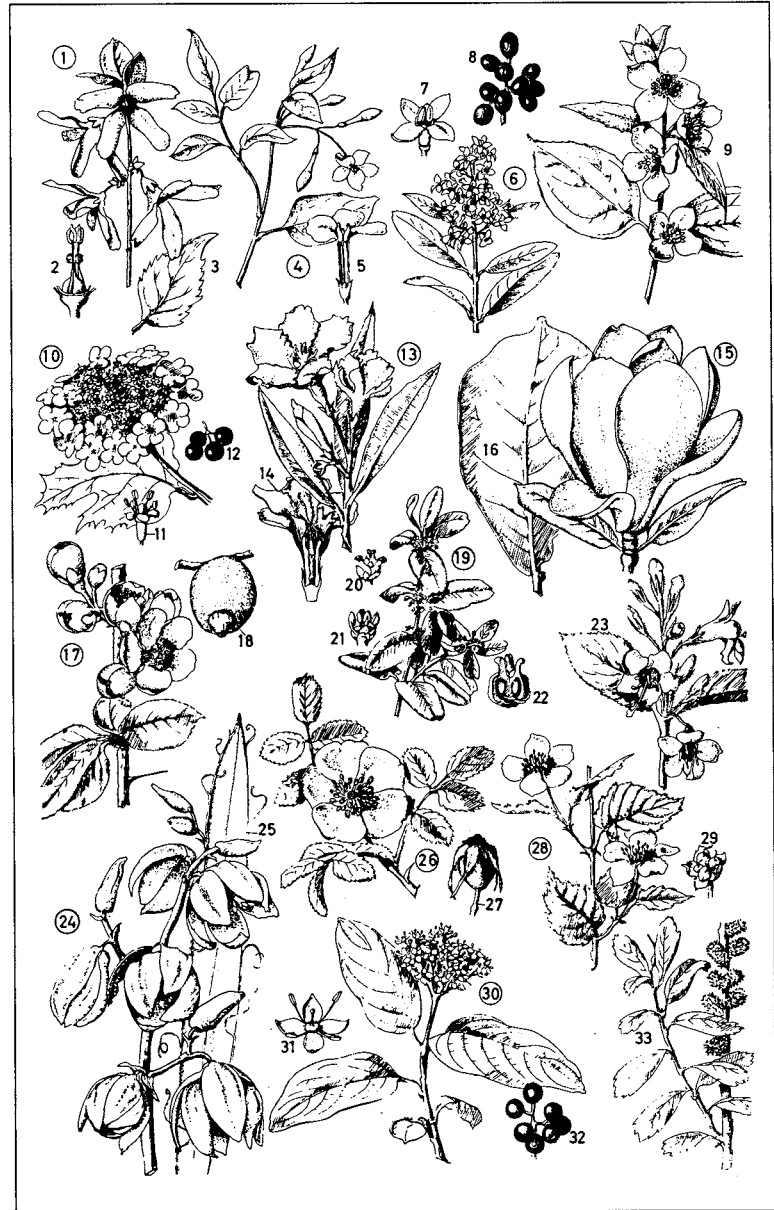
1-71 coniferous trees (conifers)

- 1 silver fir (European silver fir, common silver fir)
- 2 fir cone, a fruit cone
- 3 cone axis
- 4 female flower cone
- 5 bract scale (bract)
- 6 male flower shoot
- 7 stamen
- 8 cone scale
- 9 seed with wing (winged seed)
- 10 seed [longitudinal section]
- 11 fir needle (needle)
- 12 spruce (spruce fir)
- 13 spruce cone
- 14 cone scale
- 15 seed
- 16 female flower cone
- 17 male inflorescence
- 18 stamen
- 19 spruce needle
- 20 pine (Scots pine)
- 21 dwarf pine
- 22 female flower cone
- 23 short shoot with bundle of two leaves
- 24 male inflorescences
- 25 annual growth
- 26 pine cone
- 27 cone scale
- 28 seed
- 29 fruit cone of the arolla pine (Swiss stone pine)
- 30 fruit cone of the Weymouth pine (white pine)
- 31 short shoot [cross section]
- 32 larch
- 33 flowering branch
- 34 scale of the female flower cone
- 35 anther
- 36 branch with larch cones (fruit cones)
- 37 seed
- 38 cone scale
- 39 arbor vitae (tree of life, thuja)
- 40 fruiting branch
- 41 fruit cone

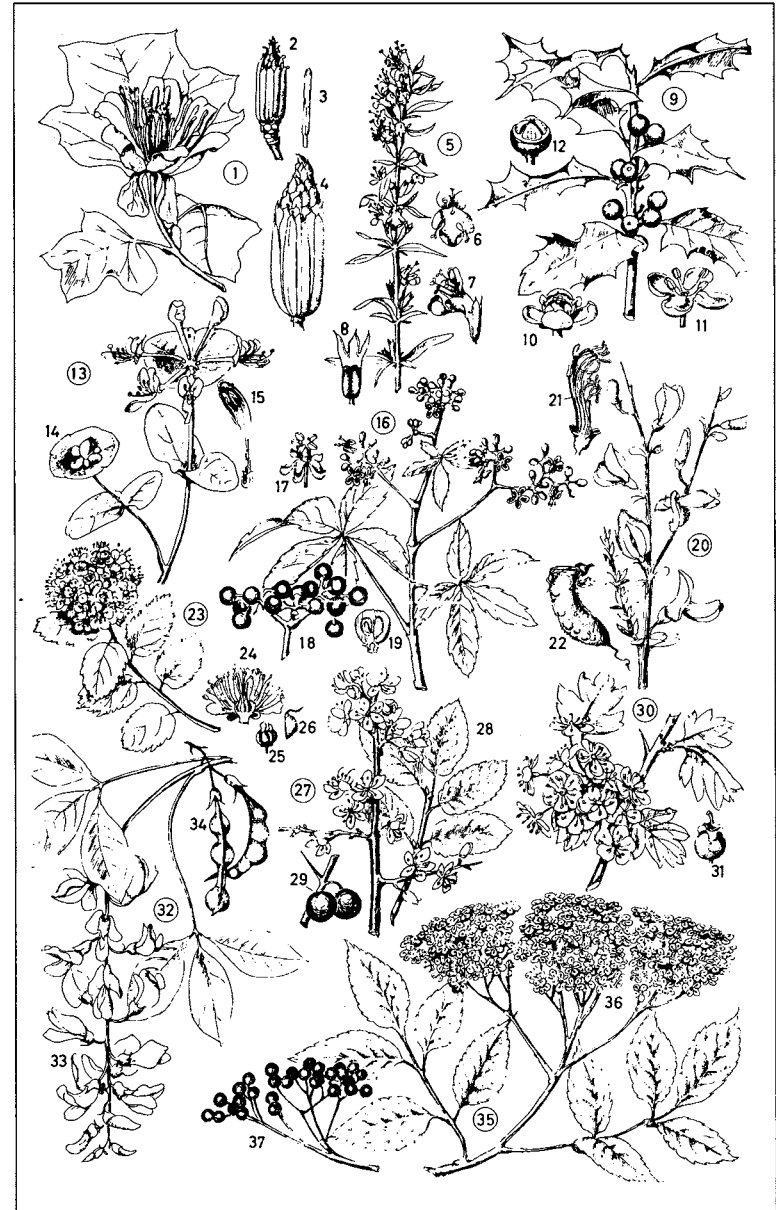
- 42 scale
- 43 branch with male and female flowers
- 44 male shoot
- 45 scale with pollen sacs
- 46 female shoot
- 47 juniper (juniper tree)
- 48 female shoot [longitudinal section]
- 49 male shoot
- 50 scale with pollen sacs
- 51 fruiting branch
- 52 juniper berry
- 53 fruit [cross section]
- 54 seed
- 55 stone pine
- 56 male shoot
- 57 fruit cone with seeds [longitudinal section]
- 58 cypress
- 59 fruiting branch
- 60 seed
- 61 yew (yew tree)
- 62 male flower shoot and female flower cone
- 63 fruiting branch
- 64 fruit
- 65 cedar (cedar tree)
- 66 fruiting branch
- 67 fruit scale
- 68 male flower shoot and female flower cone
- 69 mammoth tree (Wellingtonia, sequoia)
- 70 fruiting branch
- 71 seed



- 1 forsythia
- 2 ovary and stamen
- 3 leaf
- 4 yellow-flowered jasmine (jasmin, jessamine)
- 5 flower [longitudinal section] with styles, ovaries, and stamens
- 6 privet (common privet)
- 7 flower
- 8 infructescence
- 9 mock orange (sweet syringa)
- 10 snowball (snowball bush, guelder rose)
- 11 flower
- 12 fruits
- 13 oleander (rosebay, rose laurel)
- 14 flower [longitudinal section]
- 15 red magnolia
- 16 leaf
- 17 japonica (japanese quince)
- 18 fruit
- 19 common box (box, box tree)
- 20 female flower
- 21 male flower
- 22 fruit [longitudinal section]
- 23 weigela (weigelia)
- 24 yucca [part of the inflorescence]
- 25 leaf
- 26 dog rose (briar rose, wild briar)
- 27 fruit
- 28 kerria
- 29 fruit
- 30 cornelian cherry
- 31 flower
- 32 fruit (cornelian cherry)
- 33 sweet gale (gale)

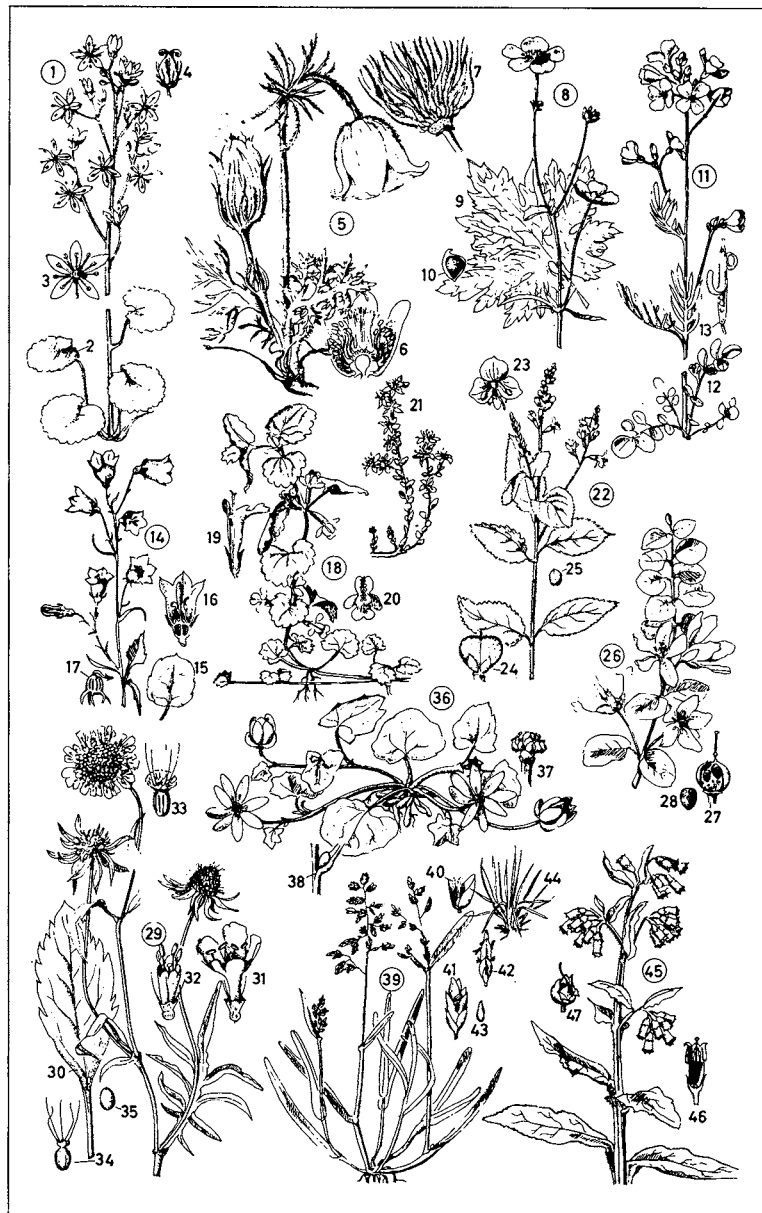


- 1 tulip tree (tulip poplar, saddle tree, whitewood)
- 2 carpels
- 3 stamen
- 4 fruit
- 5 hyssop
- 6 flower [front view]
- 7 flower
- 8 calyx with fruit
- 9 holly
- 10 androgynous (hermaphroditic, hermaphrodite) flower
- 11 male flower
- 12 fruit with stones exposed
- 13 honeysuckle (woodbine, woodbind)
- 14 flower buds
- 15 flower [cut open]
- 16 Virginia creeper (American ivy, woodbine)
- 17 open flower
- 18 infructescence
- 19 fruit [longitudinal section]
- 20 broom
- 21 flower with the petals removed
- 22 immature (unripe) legume (pod)
- 23 spiraea
- 24 flower [longitudinal section]
- 25 fruit
- 26 carpel
- 27 blackthorn (sloe)
- 28 leaves
- 29 fruits
- 30 single-pistilled hawthorn (thorn, may)
- 31 fruit
- 32 laburnum (golden chain, golden rain)
- 33 raceme
- 34 fruits
- 35 black elder (elder)
- 36 elder flowers
- 37 elderberries

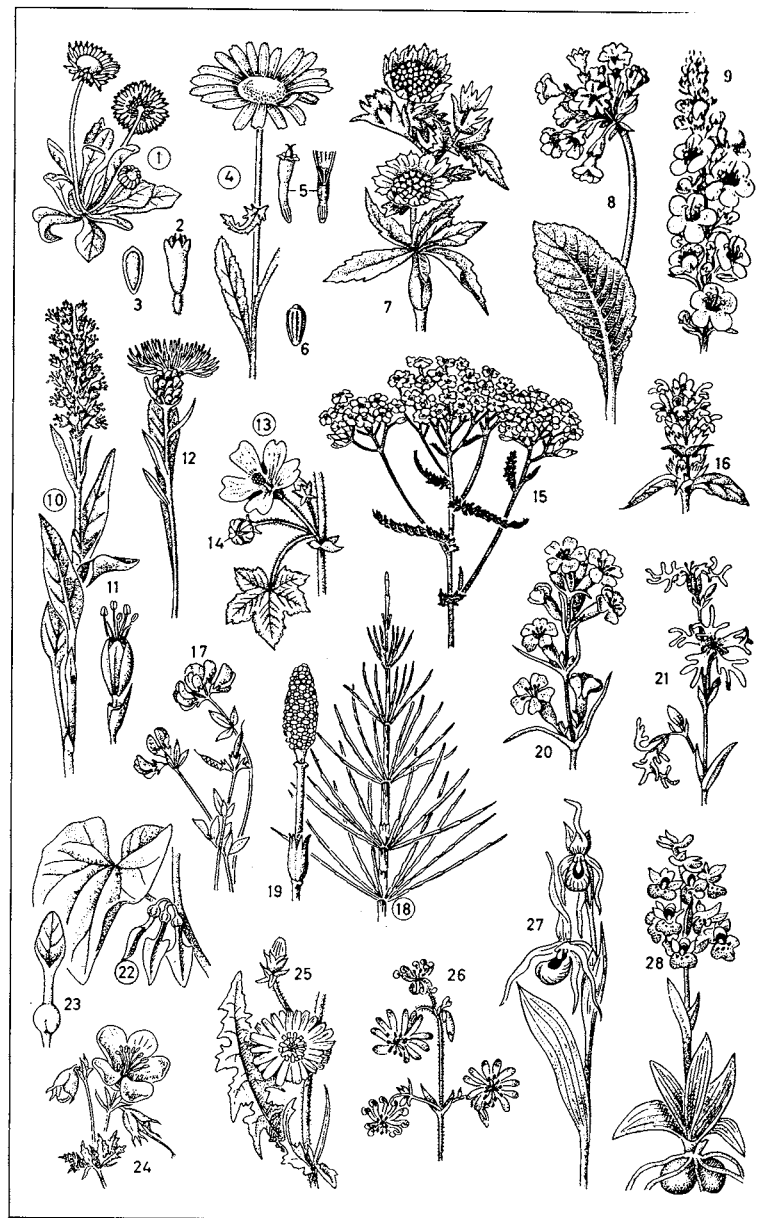


- 1 rotundifoliate (rotundifolious) saxifrage (rotundifoliate breakstone)
- 2 leaf
- 3 flower
- 4 fruit
- 5 anemone (windflower)
- 6 flower [longitudinal section]
- 7 fruit
- 8 buttercup (meadow buttercup, butterflower, goldcup, king cup, crow-foot)
- 9 basal leaf
- 10 fruit
- 11 lady's smock (ladysmock, cuckoo flower)
- 12 basal leaf
- 13 fruit
- 14 harebell (hairbell, bluebell)
- 15 basal leaf
- 16 flower [longitudinal section]
- 17 fruit
- 18 ground ivy (ale hoof)
- 19 flower [longitudinal section]
- 20 flower [front view]
- 21 stonecrop
- 22 speedwell
- 23 flower
- 24 fruit
- 25 seed
- 26 moneywort
- 27 dehiscent fruit
- 28 seed
- 29 small scabious
- 30 basal leaf
- 31 ray floret (flower of outer series)
- 32 disc (disk) floret (flower of inner series)
- 33 involucre calyx with pappus bristles
- 34 ovary with pappus
- 35 fruit
- 36 lesser celandine
- 37 fruit
- 38 leaf axil with bulbil
- 39 annual meadow grass
- 40 flower
- 41 spikelet [side view]

- 42 spikelet [front view]
- 43 caryopsis, an indehiscent fruit
- 44 tuft of grass (clump of grass)
- 45 comfrey
- 46 flower [longitudinal section]
- 47 fruit



- 1 daisy (*Am.* English daisy)
- 2 flower
- 3 fruit
- 4 oxeye daisy (white oxeye daisy, marguerite)
- 5 flower
- 6 fruit
- 7 masterwort
- 8 cowslip
- 9 great mullein (Aaron's rod, shepherd's club)
- 10 bistort (snakeweed)
- 11 flower
- 12 knapweed
- 13 common mallow
- 14 fruit
- 15 yarrow
- 16 self-heal
- 17 bird's foot trefoil (bird's foot clover)
- 18 horsetail (*equisetum*) [a shoot]
- 19 flower (strobile)
- 20 campion (catchfly)
- 21 ragged robin (cuckoo flower)
- 22 birthwort
- 23 flower
- 24 crane's bill
- 25 wild chicory (witloof, succory, wild endive)
- 26 common toadflax (butter-and-eggs)
- 27 lady's slipper (*Venus's slipper*, *Am.* moccasin flower)
- 28 orchis (wild orchid), an orchid



- 1 wood anemone (anemone, wind-flower)
- 2 lily of the valley
- 3 cat's foot (milkwort); *sim.*: sand-flower (everlasting)
- 4 turk's cap (turk's cap lily)
- 5 goatsbeard (goat's beard)
- 6 ramson
- 7 lungwort
- 8 corydalis
- 9 orpine (livelong)
- 10 daphne
- 11 touch-me-not
- 12 staghorn (stag horn moss, stag's horn, stag's horn moss, coral evergreen)
- 13 butterwort, an insectivorous plant
- 14 sundew; *sim.*: Venus's flytrap
- 15 bearberry
- 16 polypody (polypod), a fern; *sim.*: male fern, brake (bracken, eagle fern), royal fern (royal osmund, king's fern, ditch fern)
- 17 haircap moss (hair moss, golden maidenhair), a moss
- 18 cotton grass (cotton rush)
- 19 heather (heath, ling); *sim.*: bell heather (cross-leaved heather)
- 20 rock rose (sun rose)
- 21 marsh tea
- 22 sweet flag (sweet calamus, sweet sedge)
- 23 bilberry (whortleberry, huckleberry, blueberry); *sim.*: cowberry (red whortleberry), bog bilberry (bog whortleberry), crowberry (crakeberry)



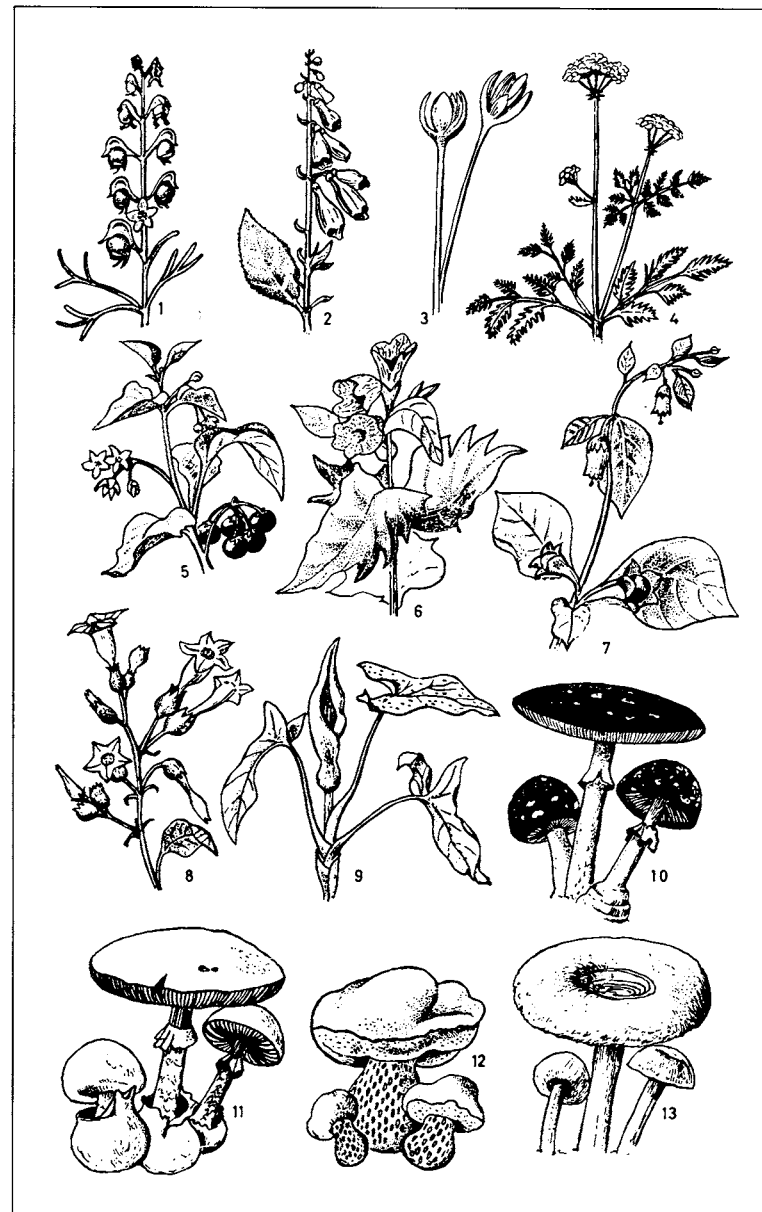
**378 Alpine Plants, Aquatic Plants (Water Plants),
and Marsh Plants**

- 1-13 **alpine plants**
- 1 alpine rose (alpine rhododendron)
- 2 flowering shoot
- 3 alpine soldanella (soldanella)
- 4 corolla opened out
- 5 seed vessel with the style
- 6 alpine wormwood
- 7 inflorescence
- 8 auricula
- 9 edelweiss
- 10 flower shapes
- 11 fruit with pappus tuft
- 12 part of flower head (of capitulum)
- 13 stemless alpine gentian
- 14-57 **aquatic plants (water plants) and
marsh plants**
- 14 white water lily
- 15 leaf
- 16 flower
- 17 Queen Victoria water lily (Victoria
regia water lily, royal water lily,
Amazon water lily)
- 18 leaf
- 19 underside of the leaf
- 20 flower
- 21 reed mace bulrush (cattail, cat's
tail, cattail flag, club rush)
- 22 male part of the spadix
- 23 male flower
- 24 female part
- 25 female flower
- 26 forget-me-not
- 27 flowering shoot
- 28 flower [section]
- 29 frog's bit
- 30 watercress
- 31 stalk with flowers and immature
(unripe) fruits
- 32 flower
- 33 siliqua (pod) with seeds
- 34 two seeds
- 35 duckweed (duck's meat)
- 36 plant in flower
- 37 flower
- 38 fruit
- 39 flowering rush
- 40 flower umbel
- 41 leaves
- 42 fruit
- 43 green alga
- 44 water plantain
- 45 leaf
- 46 panicle
- 47 flower
- 48 honey wrack, a brown alga
- 49 thallus (plant body, frond)
- 50 holdfast
- 51 arrow head
- 52 leaf shapes
- 53 inflorescence with male flowers
[above] and female flowers [below]
- 54 sea grass
- 55 inflorescence
- 56 Canadian waterweed (Canadian
pondweed)
- 57 flower

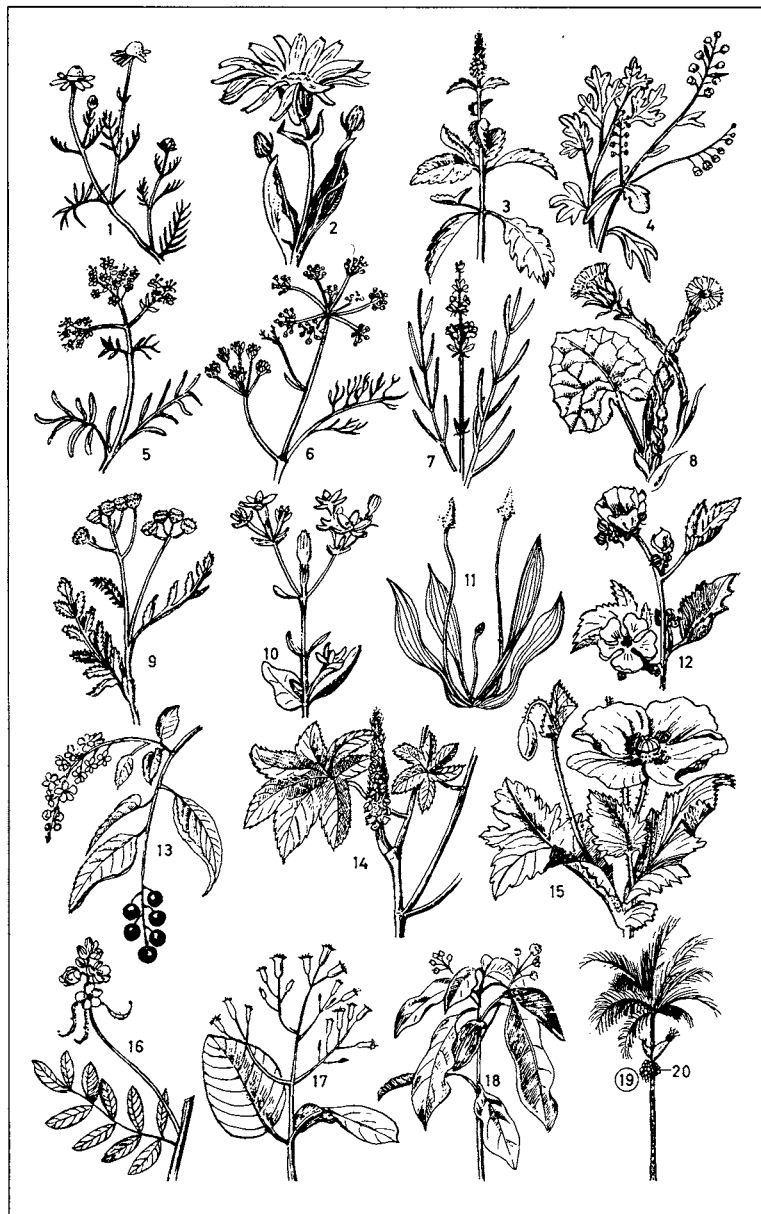
**Alpine Plants, Aquatic Plants (Water Plants), 378
and Marsh Plants**



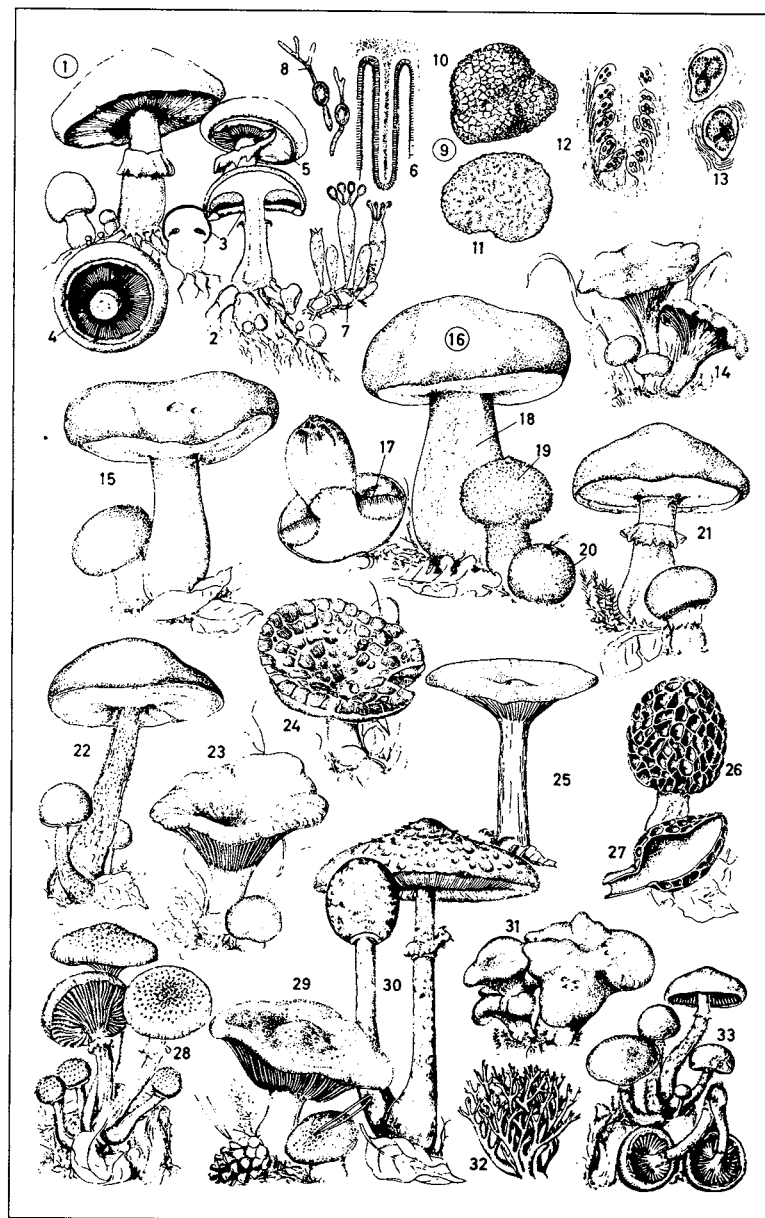
- 1 aconite (monkshood, wolfsbane, helmet flower)
- 2 foxglove (*Digitalis*)
- 3 meadow saffron (naked lady, naked boys)
- 4 hemlock (*Conium*)
- 5 black nightshade (common nightshade, petty morel)
- 6 henbane
- 7 deadly nightshade (belladonna, banewort, dwale), a solanaceous herb
- 8 thorn apple (stramonium, stramony, *Am.* jimson weed, jimson weed, Jamestown weed, stinkweed)
- 9 cuckoo pint (lords-and-ladies, wild arum, wake-robin)
- 10-13 poisonous fungi (poisonous mushrooms, toadstools)
- 10 fly agaric (fly amanita, fly fungus), an agaric
- 11 amanita
- 12 Satan's mushroom
- 13 woolly milk cap



- 1 camomile (chamomile, wild camomile)
- 2 arnica
- 3 peppermint
- 4 wormwood (absinth)
- 5 valerian (allheal)
- 6 fennel
- 7 lavender
- 8 coltsfoot
- 9 tansy
- 10 centaury
- 11 ribwort (ribwort plantain, ribgrass)
- 12 marshmallow
- 13 alder buckthorn (alder dogwood)
- 14 castor-oil plant (Palma Christi)
- 15 opium poppy
- 16 senna (cassia); *the dried leaflets:*
senna leaves
- 17 cinchona (chinchona)
- 18 camphor tree (camphor laurel)
- 19 betel palm (areca, areca palm)
- 20 betel nut (areca nut)



- 1 meadow mushroom (field mushroom)
- 2 mycelial threads (hyphae, mycelium) with fruiting bodies
- 3 mushroom [longitudinal section]
- 4 cap (pileus) with gills
- 5 veil (velum)
- 6 gill [section]
- 7 basidia [on the gill with basidiospores]
- 8 germinating basidiospores (spores)
- 9 truffle
- 10 truffle [external view]
- 11 truffle [section]
- 12 interior showing asci [section]
- 13 two asci with the ascospores (spores)
- 14 chanterelle (chantarelle)
- 15 Chestnut Boletus
- 16 cep (cepe, squirrel's bread, *Boletus edulis*)
- 17 layer of tubes (hymenium)
- 18 stem (stipe)
- 19 puffball (*Bovista nigrescens*)
- 20 devil's tobacco pouch (common puffball)
- 21 Brown Ring Boletus (*Boletus luteus*)
- 22 Birch Boletus (*Boletus scaber*)
- 23 *Russula vesca*
- 24 scaled prickle fungus
- 25 slender funnel fungus
- 26 morel (*Morchella esculenta*)
- 27 morel (*Morchella conica*)
- 28 honey fungus
- 29 saffron milk cap
- 30 parasol mushroom
- 31 hedgehog fungus (yellow prickle fungus)
- 32 yellow coral fungus (goatsbeard, goat's beard, coral *Clavaria*)
- 33 little cluster fungus



382 Tropical Plants used as Stimulants, Spices, and Flavourings (Am. Flavorings)

- | | |
|--|---|
| 1 coffee tree (coffee plant) | 38 inflorescence |
| 2 fruiting branch | 39 fruit [longitudinal section] with seed (peppercorn); <i>when ground</i> : pepper |
| 3 flowering branch | 40 Virginia tobacco plant |
| 4 flower | 41 flowering shoot |
| 5 fruit with two beans [longitudinal section] | 42 flower |
| 6 coffee bean; <i>when processed</i> : coffee | 43 tobacco leaf; <i>when cured</i> : tobacco |
| 7 tea plant (tea tree) | 44 mature (ripe) fruit capsule |
| 8 flowering branch | 45 seed |
| 9 tea leaf; <i>when processed</i> : tea | 46 vanilla plant |
| 10 fruit | 47 flowering shoot |
| 11 maté shrub (maté, yerba maté, Paraguay tea) | 48 vanilla pod; <i>when cured</i> : stick of vanilla |
| 12 flowering branch with androgynous (hermaphroditic, hermaphrodite) flowers | 49 pistachio tree |
| 13 male flower | 50 flowering branch with female flowers |
| 14 androgynous (hermaphroditic, hermaphrodite) flower | 51 drupe (pistachio, pistachio nut) |
| 15 fruit | 52 sugar cane |
| 16 cacao tree (cacao) | 53 plant in bloom |
| 17 branch with flowers and fruits | 54 panicle |
| 18 flower [longitudinal section] | 55 flower |
| 19 cacao beans (cocoa beans); <i>when processed</i> : cocoa, cocoa powder | |
| 20 seed [longitudinal section] | |
| 21 embryo | |
| 22 cinnamon tree (cinnamon) | |
| 23 flowering branch | |
| 24 fruit | |
| 25 cinnamon bark; <i>when crushed</i> : cinnamon | |
| 26 clove tree | |
| 27 flowering branch | |
| 28 flower bud; <i>when dried</i> : clove | |
| 29 flower | |
| 30 nutmeg tree | |
| 31 flowering branch | |
| 32 female flower [longitudinal section] | |
| 33 mature (ripe) fruit | |
| 34 nutmeg with mace, a seed with lacinate aril | |
| 35 seed [cross section]; <i>when dried</i> : nutmeg | |
| 36 pepper plant | |
| 37 fruiting branch | |



- 1 rape (cole, coleseed)
- 2 basal leaf
- 3 flower [longitudinal section]
- 4 mature (ripe) siliqua (pod)
- 5 oleiferous seed
- 6 flax
- 7 peduncle (pedicel, flower stalk)
- 8 seed vessel (boll)
- 9 hemp
- 10 fruiting female (pistillate) plant
- 11 female inflorescence
- 12 flower
- 13 male inflorescence
- 14 fruit
- 15 seed
- 16 cotton
- 17 flower
- 18 fruit
- 19 lint [cotton wool]
- 20 silk-cotton tree (kapok tree, capoc tree, ceiba tree)
- 21 fruit
- 22 flowering branch
- 23 seed
- 24 seed [longitudinal section]
- 25 jute
- 26 flowering branch
- 27 flower
- 28 fruit
- 29 olive tree (olive)
- 30 flowering branch
- 31 flower
- 32 fruit
- 33 rubber tree (rubber plant)
- 34 fruiting branch
- 35 fig
- 36 flower
- 37 gutta-percha tree
- 38 flowering branch
- 39 flower
- 40 fruit
- 41 peanut (ground nut, monkey nut)
- 42 flowering shoot
- 43 root with fruits
- 44 nut (kernel) [longitudinal section]
- 45 sesame plant (simsim, benniseed)
- 46 flowers and fruiting branch

- 47 flower [longitudinal section]
- 48 coconut palm (coconut tree, coco palm, cocoa palm)
- 49 inflorescence
- 50 female flower
- 51 male flower [longitudinal section]
- 52 fruit [longitudinal section]
- 53 coconut (cokernut)
- 54 oil palm
- 55 male spadix
- 56 infructescence with fruit
- 57 seed with micropyles (foramina) (foraminate seed)
- 58 sago palm
- 59 fruit
- 60 bamboo stem (bamboo culm)
- 61 branch with leaves
- 62 spike
- 63 part of bamboo stem with joints
- 64 papyrus plant (paper reed, paper rush)
- 65 umbel
- 66 spike



384 Southern Fruits (Tropical, Subtropical, and Mediterranean Fruits)

- 1 date palm (date)
- 2 fruiting palm
- 3 palm frond
- 4 male spadix
- 5 male flower
- 6 female spadix
- 7 female flower
- 8 stand of fruit
- 9 date
- 10 date kernel
- 11 fig
- 12 branch with pseudocarps
- 13 fig with flowers [longitudinal section]
- 14 female flower
- 15 male flower
- 16 pomegranate
- 17 flowering branch
- 18 flower [longitudinal section, corolla removed]
- 19 fruit
- 20 seed [longitudinal section]
- 21 seed [cross section]
- 22 embryo
- 23 lemon; *sim.*: tangerine (mandarin), orange, grapefruit
- 24 flowering branch
- 25 orange flower [longitudinal section]
- 26 fruit
- 27 orange [cross section]
- 28 banana plant (banana tree)
- 29 crown
- 30 herbaceous stalk with overlapping leaf sheaths
- 31 inflorescence with young fruits
- 32 infructescence (bunch of fruit)
- 33 banana
- 34 banana flower
- 35 banana leaf [diagram]
- 36 almond
- 37 flowering branch
- 38 fruiting branch
- 39 fruit
- 40 drupe containing seed [almond]
- 41 carob
- 42 branch with female flowers

- 43 female flower
- 44 male flower
- 45 fruit
- 46 siliqua (pod) [cross section]
- 47 seed
- 48 sweet chestnut (Spanish chestnut)
- 49 flowering branch
- 50 female inflorescence
- 51 male flower
- 52 cupule containing seeds
- 53 Brazil nut
- 54 flowering branch
- 55 leaf
- 56 flower [from above]
- 57 flower [longitudinal section]
- 58 opened capsule containing seeds
- 59 Brazil nut [cross section]
- 60 nut [longitudinal section]
- 61 pineapple plant (pineapple)
- 62 pseudocarp with crown of leaves
- 63 syncarp
- 64 pineapple flower
- 65 flower [longitudinal section]

Southern Fruits (Tropical, Subtropical, and Mediterranean Fruits) 384



Index

1 Atom I

1-8 atom models

- 1 model of the hydrogen (H) atom
- 2 atomic nucleus, a proton
- 3 electron
- 4 electron spin
- 5 model of the helium (He) atom
- 6 electron shell
- 7 Pauli exclusion principle (exclusion principle, Pauli principle)
- 8 complete electron shell of the Na atom (sodium atom)
- 9-14 molecular structures (lattice structures)
- 9 crystal of sodium chloride (of common salt)
- 10 chlorine ion
- 11 sodium ion
- 12 crystal of cristobalite
- 13 oxygen atom
- 14 silicon atom
- 15 energy level diagram (term diagram, possible quantum jumps) of the hydrogen atom
- 16 atomic nucleus (proton)
- 17 electron
- 18 ground state level
- 19 excited state
- 20-25 quantum jumps (quantum transitions)
- 20 Lyman series
- 21 Balmer series
- 22 Paschen series
- 23 Brackett series
- 24 Pfund series
- 25 free electron
- 26 Bohr-Sommerfeld model of the H atom
- 27 electron orbits of the electron
- 28 spontaneous decay of radioactive material
- 29 atomic nucleus
- 30-31 alpha (α) particle (alpha ray, helium nucleus)
- 30 neutron
- 31 proton
- 32 beta (β) particle (beta ray, electron)
- 33 gamma (γ) ray, a hard X-ray
- 34 nuclear fission

- الدَّوْرَةُ (1)
نَمُوذَجُ ذَرِيَّةِ هَيْدْرُوجِين
نَوَاةُ ذَرِيَّةٍ، بْرُونُون
إِلِكْتْرُون
ذُرُورُ الإِلِكْتْرُون
نَمُوذَجُ ذَرَّةِ الْهَلِيُومِ
غِلَافُ الْكَيْتْرُونِي
قَاعِدَةُ "بُولِي" لِلْإِسْتِغَادِ (قَاعِدَةُ الْإِسْتِغَادِ، قَاعِدَةُ "بُولِي")
غِلَافُ الْكَيْتْرُونِي كَامِلٌ لِدَرَّةِ الصُّودِيُومِ
الْبَيْئَاتُ الْجَرِيئِيَّةُ (بَيْئَاتُ شَبْكِيَّةِ)
بَلُورَةُ كَلُورِيدِ الصُّودِيُومِ (لِلْمَلْحِ الْمَعْرُوفِ)
أْيُونُ الْكَلُورِ
أْيُونُ الصُّودِيُومِ
بَلُورَةُ الْكْرِيسْتُوبَالَيْتِ
ذَرَّةُ الْإِكْسِجِينِ
ذَرَّةُ السِّلِيكُونِ
مُخْتَلَطُ مَسْتَوِيَاتِ الطَّاقَةِ لِذَرَّةِ الْهَيْدْرُوجِينِ (الْقَفْزُ الْكَمِّي الْمُمْكِنُ)
نَوَاةُ ذَرِيَّةٍ (بْرُونُون)
إِلِكْتْرُون
مَسْتَوَى حَالَةِ الْخَمُودِ
حَالَةُ الْإِسْتِثَارَةِ
الْقَفْزُ الْكَمِّي
مَسْتَسْلَسَلَةُ "لِيْمَان"
مَسْتَسْلَسَلَةُ "بَالْمَر"
مَسْتَسْلَسَلَةُ "بَاشِن"
مَسْتَسْلَسَلَةُ "بْرَاكِيْت"
مَسْتَسْلَسَلَةُ "فُونْت"
إِلِكْتْرُونُ حُرٍ/طَلِيقِ
نَمُوذَجُ ذَرَّةِ الْهَيْدْرُوجِينِ لِبُوهْرٍ وَسَمَرْفِيلِدِ
الْمَدَارَاتُ الْإِلِكْتْرُونِيَّةُ لِلْإِلِكْتْرُونِ
الْإِنْحِلَالُ الْفُورِي الْعَادِي الْمَشْعُوعُ
نَوَاةُ ذَرِيَّةٍ
جِسْمِيْمٌ أَلْفَا (شَعَاعُ أَلْفَا، نَوَاةُ الْهَلِيُومِ)
نَيْتْرُون
بْرُونُون
جِسْمِيْمٌ بَيْتَا (شَعَاعُ بَيْتَا، الْكَيْتْرُونِ)
إِشْعَاعُ جَامَا
الْإِنْشِطَارُ النَّوَوِي

- 35 heavy atomic nucleus
- 36 neutron bombardment
- 37-38 fission fragments
- 39 released neutron
- 40 gamma (γ) ray
- 41 chain reaction
- 42 incident neutron
- 43 nucleus prior to fission
- 44 fission fragment
- 45 released neutron
- 46 repeated fission
- 47 fission fragment
- 48 controlled chain reaction in a nuclear reactor
- 49 atomic nucleus of a fissionable element
- 50 neutron bombardment
- 51 fission fragment (new atomic nucleus)
- 52 released neutron
- 53 absorbed neutrons
- 54 moderator, a retarding layer of graphite
- 55 extraction of heat (production of energy)
- 56 X-ray
- 57 concrete and lead shield
- 58 bubble chamber for showing the tracks of high-energy ionising particles
- 59 light source
- 60 camera
- 61 expansion line
- 62 path of light rays
- 63 magnet
- 64 beam entry point
- 65 reflector
- 66 chamber

- نَوَاةُ ذَرِيَّةٍ ثَقِيْلَةٌ
قَبْلَةُ نَيْتْرُونِيَّةٍ
شُطْبَانِيَا انْشِطَارِيَّةٍ
نَيْتْرُونُ مَنطَلِقِ
إِشْعَاعُ جَامَا
تَفَاعُلُ مَسْتَسْلَسَلِ
النَيْتْرُونِ السَّاقِطِ
النَوَاةُ قَبْلُ الْإِنْشِطَارِ
شُطْبِيَّةُ انْشِطَارِيَّةٍ
نَيْتْرُونُ مَنطَلِقِ
انْشِطَارٌ مُتَكَرِّرٌ
شُطْبِيَّةُ انْشِطَارِيَّةٍ
تَفَاعُلُ مَسْتَسْلَسَلِ مَحْكُومٍ فِي مَفَاعِلِ نَوَوِي
النَوَاةُ الذَّرِيَّةُ الْعَنَصْرُ انْشِطَارِي
قَبْلَةُ نَيْتْرُونِيَّةٍ
شُطْبِيَّةُ انْشِطَارِيَّةٍ (نَوَاةُ ذَرِيَّةٍ جَدِيدَةٍ)
نَيْتْرُونُ مَنطَلِقِ
نَيْتْرُونَاتٌ مُتَمَصَّةٌ
وَسِيطٌ مَهْدِيٌّ
النَيْتْرُونَاتُ (طَبَقَةُ مَهْدِيَّةٌ مِنَ الْجَرَاغِيْتِ)
اسْتِخْلَاصُ الْحَرَارَةِ (إِنْتِاجُ الطَّاقَةِ)
إِشْعَاعُ سَبِينِي
لُوحٌ مِنَ الْخَرَسَانَةِ وَالرِصَاصِ
حِجْرَةُ الْفِقَاعَاتِ لِإِظْهَارِ مَسَالِكِ الْجِسْمِيْمَاتِ الْمُوَيَّبَةِ عَالِيَةِ الطَّاقَةِ
مُضَدَّرٌ ضَوْءٌ
آلَةٌ تَصْوِيرِيَّةٌ، كَامِيرَا
خَطُّ الْمَدَى
مَسَارُ اشْعَاعِ الضَّوْءِ
مَغْنَطَائِيْسُ
نُقْطَةُ دَخُولِ الْحَزْمَةِ الضَّوئِيَّةِ
غَاكِيْسُ
غُرْفَةٌ، حِجْرَةٌ

2 Atom II

- 1-23 radiation detectors (radiation meters)
- 1 radiation monitor
- 2 ionization chamber (ion chamber)
- 3 central electrode
- 4 measurement range selector
- 5 instrument housing
- 6 meter
- 7 zero adjustment
- 8-23 dosimeter (dose-meter)
- 8 film dosimeter
- 9 filter

- الدَّوْرَةُ (2)
مَكْتَشَفُ الْإِشْعَاعِ (عَدَادَاتُ قِيَاسِ الْإِشْعَاعِ)
مِرْقَابُ الْإِشْعَاعِ
غُرْفَةُ التَّايِنِ
الكْتُرُودُ مَرْكَزِي
مِفْتَاحُ انْتِقَاءِ مَدَى الْقِيَاسِ
مَنْبِتُ الْجِهَازِ
عَدَادٌ، مَقْيَاسٌ
ضَبْطُ قِرَاءَةِ الصَّفْرِ
مَقْيَاسُ الْجُرْعَاتِ الْإِشْعَاعِيَّةِ
مَقْيَاسُ جُرْعَاتِ إِشْعَاعِيَّةٍ
غُشَائِي
مُرْتَشِحٌ، فِلْتَرٌ

10 film	غشاء رقيق
11 film-ring dosimeter	مقياس جرعات إشعاعية
12 filter	غشائي حثفي
13 film	مُرَشِّح، فلتر
14 cover with filter	غشاء رقيق
15 pocket meter (pen meter, pocket chamber)	غطاء مُرَوِّد بِمُرَشِّح مقياس جيب
16 window	حَجْرَة
17 ionization chamber (ion chamber)	غُرْفَة التأيُّن
18 clip (pen clip)	مشبك
19 Geiger counter (Geiger-Müller counter)	عَدَاد "جَايْجِر"
20 counter tube casing	غلاف أنبوب العداد
21 counter tube	أنبوب العداد
22 instrument housing	مبيت الآلة
23 measurement range selector	مفتاح انتقاء مدى القياس
24 Wilson cloud chamber (Wilson chamber)	حَجْرَة "ولسن" الغيمية
25 compression plate	لَوْح ضَظْط
26 cloud chamber photograph	صورة الحَجْرَة الغيمية
27 cloud chamber track of an alpha particle	مسار جسيم ألفا في الحَجْرَة الغيمية
28 telecobalt unit (<i>coll.</i> cobalt bomb)	وَحْدَة تليكو بلت (قنبلة الكوبلت)
29 pillar stand	دعامة عمودية
30 support cables	كيبالات إسناد
31 radiation shield (radiation shielding)	درع الإشعاع
32 sliding shield	درع انزلاقي
33 bladed diaphragm	رَقٌّ مُنْصَل
34 light-beam positioning device	جهاز توضع الحزمة الضوئية
35 pendulum device (pendulum)	جهاز بندولي (بندول)
36 irradiation table	طاولة التشعيع
37 rail (track)	مسار
38 manipulator with sphere unit	جهاز معالجة مُرَوِّد بِوَحْدَة كروية
39 handle	مقبض
40 safety catch (locking lever)	زِر الأمان (ذراع قفل)
41 wrist joint	وَحْلَة رَسْغِيَة
42 master arm	الذراع الرئيسي
43 clamping device (clamp)	جهاز تثبيت (قامبطة)
44 tongs	كَلَابِئَان
45 slotted board	لَوْح مُنْقَب
46 radiation shield (protective shield, protective shielding), a lead shielding wall [section]	درع الإشعاع (درع واقٍ من الإشعاع، جدار مُدَرِّع بالبرصاص) [مقطع]
47 grasping arm of a pair of manipulators (of a master/slave manipulator)	ذراع الإمساك الخاصة بزوج من أجهزة المعالجة (لجهاز معالجة تابع)

48 dust shield	وقاء التراب
49 synchrotron	السينكروترون
50 danger zone	منطقة الخطر
51 magnet	مغناطيس
52 pumps for emptying the vacuum chamber	مضخات تفريغ الحجرة الخوائية

3 Astronomy I (1)

1-35 star map of the northern sky (northern hemisphere)	خريطة النجوم الخاصة بالسماء الشمالية (نصف الكرة الشمالي)
1-8 divisions of the sky	أقسام السماء القطبي (النجم الشمالي)
1 celestial pole with the Pole Star (Polaris, the North Star)	فلك النجم السماوي مع النجم القطبي (النجم الشمالي)
2 ecliptic (apparent annual path of the sun)	فلك البروج (مدار الشمس السنوي الظاهري بين البروج)
3 celestial equator (equinoctial line)	خط الاستواء السماوي
4 tropic of Cancer	مدار السرطان
5 circle enclosing circumpolar stars	الدائرة المحيطة بالنجوم الكائنة حول القطب
6-7 equinoctial points (equinoxes)	نقطتا الاعتدال الربيعي والخريفي
6 vernal equinoctial point (first point of Aries)	نقطة الاعتدال الربيعي
7 autumnal equinoctial point	نقطة الاعتدال الخريفي
8 summer solstice	الانقلاب الصيفي
9-48 constellations (grouping of fixed stars into figures) and names of stars	الكوكبات وأسماء النجوم
9 Aquila (the Eagle) with Altair the principal star (the brightest star)	العقاب مع النسر الطائر (أكثر النجوم سطوعاً)
10 Pegasus (the Winged Horse)	الفرس الأعظم (الفرس الممتح)
11 Cetus (the Whale) with Mira, a variable star	قيطس (الحوث) مع ميرا
12 Eridanus (the Celestial River)	النهر
13 Orion (the Hunter) with Rigel, Betelgeuse and Bellatrix	الجوزاء مع رجل الجوزاء اليسرى
14 Canis Major (the Great Dog, the Greater Dog) with Sirius (the Dog Star), a star of the first magnitude	الكلب الأكبر مع الشعري اليمانية
15 Canis Minor (the Little Dog, the Lesser Dog) with Procyon	الكلب الأصغر مع الشعري الشامية
16 Hydra (the Water Snake, the Sea Serpent)	التسحاج (ثعبان الماء)
17 Leo (the Lion) with Regulus	الأسد مع قلب الأسد

18 Virgo (the Virgin) with Spica	العذراء مع السبيكة
19 Libra (the Balance, the Scales)	الميزان
20 Serpens (the Serpent)	الثعبان
21 Hercules	هرقل، الجاهي
22 Lyra (the Lyre) with Vega	القيثار مع النسر الواقع
23 Cygnus (the Swan, the Northern Cross) with Deneb	السحابة مع ذنب الدجاجة
24 Andromeda	اندروميديا المرأة المسلسلة
25 Taurus (the Bull) with Aldebaran	الثور مع الدبران
26 The Pleiades (Pleiads, the Seven Sisters) an open cluster of stars	الثريا
27 Auriga (the Wagoner, the Charioteer) with Capella	العزاز مع العيون
28 Gemini (the Twins) with Castor and Pollux	الجوزاء مع نير التوأمين ورأس الثور الموحز
29 Ursa Major (the Great Bear, the Greater Bear, the Plough, Charles's Wain, <i>Am.</i> the Big Dipper) with the double star (binary star) Mizar and Alcor	الذئب الأكبر مع الإزار والذكور
30 Boötes (the Herdsman) with Arcturus	راعي الشاة/العواء مع السماك الرامح
31 Corona Borealis (the Northern Crown)	الإكليل الشمالي
32 Draco (the Dragon)	الثور
33 Cassiopeia	ذات الكرسي
34 Ursa Minor (the Little Bear, Lesser Bear, <i>Am.</i> Little Dipper) with the Pole Star (Polaris, the North Star)	الذئب الأصغر مع النجم القطبي
35 the Milky Way (the Galaxy)	دُرْب الثيابة (المجرة)
36-48 the southern sky	السماء الجنوبية
36 Capricorn (the Goat, the Sea Goat)	الجدي
37 Sagittarius (the Archer)	القوس
38 Scorpio (the Scorpion)	العقرب
39 Centaurus (the Centaur)	قنطورس، الظلمان
40 Triangulum Australe (the Southern Triangle)	المثلث الجنوبي
41 Pavo (the Peacock)	الطاووس
42 Grus (the Crane)	الكركي
43 Octans (the Octant)	الثمن
44 Crux (the Southern Cross, the Cross)	الصليب الجنوبي
45 Argo (the Celestial Ship)	برج السفينة
46 Carina (the Keel)	الجوز

47 Pictor (the Painter)	كرسي المصور
48 Reticulum (the Net)	الشبكة
4 Astronomy II (2)	الفلك (2)
1-9 the moon	القمر
1 moon's path (moon's orbit round the earth)	مدار القمر حول الأرض
2-7 lunar phases (moon's phases) (lunation)	منازل القمر
2 new moon	قمر أول الشهر
3 crescent (crescent moon, waxing moon)	هلال
4 half-moon (first quarter)	التربيع الأول
5 full moon	بدر
6 half-moon (last quarter, third quarter)	التربيع الأخير
7 crescent (crescent moon, waning moon)	مُخَاق (هلال)
8 the earth (terrestrial globe)	الأرض (الكرة الأرضية)
9 direction of the sun's rays	اتجاه أشعة الشمس
10-21 apparent path of the sun at the beginning of the seasons	المسار الظاهري للشمس في بداية الفصول
10 celestial axis	المحور الفلكي/السماوي
11 zenith	سُمْت الرأس
12 horizontal plane	سُتْوَى أفقي
13 nadir	تغير السمت
14 east point	نقطة الشرق
15 west point	نقطة الغرب
16 north point	نقطة الشمال
17 south point	نقطة الجنوب
18 apparent path of the sun on 21 December	المسار الظاهري للشمس يوم 21 ديسمبر
19 apparent path of the sun on 21 March and 23 September	المسار الظاهري للشمس يوم 21 مارس ويوم 23 سبتمبر
20 apparent path of the sun on 21 June	المسار الظاهري للشمس يوم 21 يونيو
21 border of the twilight area	حد منطقة الشفق/السحر
22-28 rotary motions of the earth's axis	الحركات الدورانية لمحور الأرض
22 axis of the ecliptic	محور مدار الشمس
23 celestial sphere	الظاهري بين البروج الفقه السماوية
24 path of the celestial pole [precession and nutation]	مسار القطب السماوي
25 instantaneous axis of rotation	المحور اللحظي للدوران
26 celestial pole	القطب السماوي
27 mean axis of rotation	المحور المتوسط للدوران
28 polhode	منحنى دوران محوري
29-35 solar and lunar eclipse (not to scale)	كسوف الشمس وكسوف القمر
29 the sun	الشمس

29 fuel tank	خَزَانٌ وَقُودٍ
30 engine	مُحَرِّكٌ
31 mechanism for unfolding the legs	آلِيَّةٌ فَرَدَ أَرْجُلَ السَّفِينَةِ
32 main shock absorber	مُخَفِّفُ الصَّدْمَةِ الرَّئِيسِي
33 landing pad	مِسْتَدَ الهبوط
34 ingress/egress platform (hatch platform)	مِبْنَعَةٌ دُخُولٍ/خُرُوجٍ
35 ladder to platform and hatch	سُلَّمٌ مُوَدِي إِلَى المِبْنَعَةِ وَالْفَتْحَةِ
36 cardan mount for engine	حَامِلٌ كَرْدَانِي لِلْمُحَرِّكِ
37-47 ascent stage	مَرْحَلَةُ الصَّعُودِ
37 fuel tank	خَزَانٌ وَقُودٍ
38 ingress/egress hatch (entry/exit hatch)	فَتْحَةٌ الدُّخُولِ والخُرُوجِ
39 LM manoeuvring (Am. manoeuvring) rockets	صَوَارِيحُ المَنَاوَرَةِ الخاصَّة بالمُودِيُولَاتِ القَمَرِيَّةِ
40 window	شَّكَاكٌ
41 crew compartment	خَبِيْزَةُ الطَّاقَمِ/المُلاحِيْنَ
42 rendezvous radar antenna	هُوَاتِي رَادَارٍ مِنْ أَجْلِ الاِلتِقَاءِ
43 inertial measurement unit	وَحْدَةٌ قِيَاسِ القُصُورِ الذَّائِي
44 directional antenna for ground control	هُوَاتِي اتِّجَاهِي لِلتَّحْكَمِ الأَرْضِي
45 upper hatch (docking hatch)	فَتْحَةٌ علَوِيَّةٌ
46 inflight antenna	هُوَاتِي طَيْرَانٍ
47 docking target recess	تَجْوِيفٌ لِلاِتِّحَامِ بِمَرَكَبَةٍ أُخْرَى فِي الفِضَاءِ
7 Atmosphere	الغلاف الجوّي
1 the troposphere	التَّرُوبوسْفِير
2 thunderclouds	سَحَابٌ رَعْدِيَّةٌ
3 the highest mountain, Mount Everest [8,882 m]	أَعْلَى جَبَلٍ، جَبَلُ اِفْرَسْت [8,882 م]
4 rainbow	قَوْسٌ قَرَحٌ
5 jet stream level	مَسْتَوِي التَّيَّارِ السَّدْفُوقِ
6 zero level [inversion of vertical air movement]	مَسْتَوِي صَفْرٍ [انْعِكَاسٌ حَرَكَةِ الهَوَاءِ الرَّأْسِيَّةِ]
7 ground layer (surface boundary layer)	الطَّبَقَةُ الأَرْضِيَّةُ
8 the stratosphere	الاسْتِرَاتوسْفِير
9 tropopause	مِبْنَعَةُ المَرَكُودِ (تَرُوبوسْفِير)
10 separating layer (layer of weaker air movement)	طَبَقَةٌ فَاصِلَةٌ (طَبَقَةٌ حَرَكَةِ تَيَّارٍ هَوَاتِي أضعْف)
11 atomic explosion	انْفِجَارٌ ذَرَوِيٌّ
12 hydrogen bomb explosion	انْفِجَارٌ قَتِيلَةٌ هِيدروجِينِيَّةٌ
13 ozone layer	طَبَقَةُ الأوزُونِ
14 range of sound wave propagation	مَدَى انْتِشَارِ المَوْجَاتِ الصَّوْتِيَّةِ
15 stratosphere aircraft	طَائِرَةٌ اسْتِرَاتوسْفِيرِيَّةٌ
16 manned balloon	مِطْطَادٌ مَرُودٌ بِأَفْرَادٍ
17 sounding balloon	مِطْطَادٌ/بَالُونٌ رَصَدٌ جَوِّيٌّ

33 observation room	خِزَانَةُ الرِّصْدِ وَبِهَا سَبِكْتُو جِرَافٍ
6 Moon Landing	الهبوط على سطح القمر
1 Apollo spacecraft	سَفِينَةُ الفِضَاءِ "أبوللو"
2 service module (SM)	مُودِيُولٌ (خِزَانَةُ الفِضَاءِ) خِدْمَةٍ
3 nozzle of the main rocket engine	مَنْفَذُ المَحَرِّكِ الرَّئِيسِي لِلصَّارُوخِ
4 directional antenna	هُوَاتِي اتِّجَاهِي صَوَارِيحِ المَنَاوَرَةِ
5 manoeuvring (Am. manoeuvring) rockets	خِرَاطَاتُ الأَكْسِجِينِ وَالهِيدروجِينِ الخاصَّة بِنِظَامِ طَاقَةِ السَّفِينَةِ
6 oxygen and hydrogen tanks for the spacecraft's energy system	خَزَانٌ وَقُودٍ
7 fuel tank	مُشْعَاتُ نِظَامِ طَاقَةِ سَفِينَةِ الفِضَاءِ
8 radiators of the spacecraft's energy system	مُودِيُولُ القِيَادَةِ
9 command module (Apollo space capsule)	فَتْحَةٌ دُخُولِ الكَبْسُولَةِ الفِضَائِيَّةِ
10 entry hatch of the space capsule	رَابِدٌ فِضَاءٍ
11 astronaut	مُودِيُولٌ قَمَرِيٌّ
12 lunar module (LM)	سَطْحُ القَمَرِ
13 moon's surface (lunar surface), a dust-covered surface	تُرَابٌ قَمَرِيٌّ
14 lunar dust	قِطْعَةٌ صَخْرِيَّةٌ
15 piece of rock	خَفْرَةٌ نِزْرِكِيَّةٌ
16 meteorite crater	الأَرْضُ (الكَرَّةُ الأَرْضِيَّةُ)
17 the earth	بِدَالَةُ الفِضَاءِ
18-27 space suit (extra-vehicular suit)	جِهَازُ الأَكْسِجِينِ الخاصِّ بِالطَّوَارِي
18 emergency oxygen apparatus	جِبِّ لِلنَّظَارَةِ الشَّمْشِيَّةِ
19 sunglass pocket [with sunglasses for use on board]	نِظَارَةٌ شَمْشِيَّةٌ لِلاِسْتِخْدَامِ عَلَى مَتْنِ السَّفِينَةِ
20 life support system (life support pack), a backpack unit	نِظَامٌ دَعْمُ الحَيَاةِ
21 access flap	قَلَابَةٌ
22 space suit helmet with sun filters	خُوْذَةُ البِدَالَةِ الفِضَائِيَّةِ مَرُودَةٌ بِمَرَشَّحَاتٍ شَمْشِيَّةِ
23 control box of the life support pack	صُدْرُوقٌ لِتَحْكَمِ الخاصِّ بِنِظَامِ دَعْمِ الحَيَاةِ
24 night pocket	جِبِّ لِكُتَافٍ فِي حِجْمِ القَلَمِ
25 access flap for the purge valve	قَلَابَةٌ صِيَامٌ لِالتَّنْظِيفِ
26 tube and cable connections for the radio, ventilation, and water-cooling systems	تَوَصِيلَةُ الأَنْبُوبِ وَالكَبْلِ الخاصَّةِ بِالنِّظَامِ الرَّادِيُو وَالتَّهْوِيَّةِ وَتَبْرِيدِ المَاءِ
27 pocket for pens, tools, etc.	جِبِّ لِلأَقْلَامِ وَالأَدَوَاتِ، إلخ.
28-36 descent stage	مَرْحَلَةُ الهبوط
28 connector	آلِيَّةٌ تَوَصِيلِ

30 the earth	الأَرْضُ
31 the moon	القَمَرُ
32 solar eclipse	كُسُوفٌ شَمْشِيٌّ
33 area of the earth in which the eclipse appears total	مِثْلَقَةُ الأَرْضِ الَّتِي يَظْهَرُ فِيهَا الكُسُوفُ كَامِلًا
34-35 lunar eclipse	خُسُوفٌ قَمَرِيٌّ
34 penumbra (partial shadow)	الشَّعْثَانُ، الظِّلُ النَّاقِصُ
35 umbra (total shadow)	سُوَيْدَاءُ الظِّلِّ
36-41 the sun	الشَّمْسُ
36 solar disc (disk) (solar globe, solar sphere)	قُرْصُ الشَّمْسِ
37 sunspots	كَلَفُ الشَّمْسِ
38 cyclones in the area of sunspots	أَعاصِيرٌ فِي مِثْلَقَةِ كَلَفِ الشَّمْسِ
39 corona (solar corona), observable during total solar eclipse or by means of special instruments	هَالَةٌ، إِكْلِيلٌ
40 prominences (solar prominences)	سُوطٌ شَمْشِيٌّ
41 moon's limb during a total solar eclipse	حَافَةُ قُرْصِ القَمَرِ أَثْنَاءَ كُسُوفِ كَلِيٍّ لِلشَّمْسِ
42-52 planets (planetary system, solar system) [not to scale] and planet symbols	الكَوَاكِبُ وَرُومُونُ الكَوَاكِبِ
42 the sun	الشَّمْسُ
43 Mercury	عِطَارِدٌ
44 Venus	الرَّهْمَزَةُ
45 Earth, with the moon, a satellite	الأَرْضُ وَالقَمَرُ
46 Mars, with two moons	المَرْيُخُ وَبَيتَعَهُ قَمَرَانِ
47 asteroids (minor planets)	كَوَيْكِبَاتٌ سَيَّارَةٌ
48 Jupiter	المُسْتَشْرَى
49 Saturn	زُحَلٌ
50 Uranus	أُورَانُوسٌ
51 Neptune	نِپْتُونٌ
52 Pluto, with the moon Charon	بْلُوتُو مَعَ القَمَرِ شَارُونِ
53-64 signs of the zodiac (zodiacal signs)	رُومُونُ دَائِرَةِ الجُرُوجِ
53 Aries (the Ram)	الحَمَلُ
54 Taurus (the Bull)	الثَّورُ
55 Gemini (the Twins)	الجُوزَاءُ
56 Cancer (the Crab)	السَّرْطَانُ
57 Leo (the Lion)	الأسَدُ
58 Virgo (the Virgin)	العَدْرَاءُ
59 Libra (the Balance, the Scales)	المِيزَانُ
60 Scorpio (the Scorpion)	العَقْرَبُ
61 Sagittarius (the Archer)	القَوْسُ
62 Capricorn (the Goat, the Sea Goat)	الجَدْيُ
63 Aquarius (the Water Carrier, the Water	الدَّائِرُ

Bearer)	الحَوْتِ
64 Pisces (the Fish)	
5 Astronomy III	الفلك (3)
1-16 the European Southern Observatory (ESO) on Cerro la Silla, Chile, an observatory [section]	المَرْمَزُ الأوروپِي الجنوبيّ المَظَلُّ عَلَى "سِيرو لا سِيلا"، شِيلِي [مَقْطَعٌ]
1 primary mirror (main mirror) with a diameter of 3.6 m (144 inches)	المِرْآةُ الرَّئِيسِيَّةُ وَقَمْرُهَا 3,6 م (144 يُوْصَة)
2 prime focus cage with mounting for secondary mirrors	هَيْكَلُ التَّرْكِيزِ النَّوْرِي الرَّئِيسِي مَرُودٌ بِحَامِلِ
3 flat mirror for the coude ray path	مِرْآةٌ مُسَطَّحَةٌ لِمَسَارِ أشِعَّةِ "كُوْدِيَّةِ"
4 Cassegrain cage	قَفْصٌ "كَاسِغْرِيْن"
5 grating spectrograph	سَبِكْتُو جِرَافٍ شَبْكِيٌّ
6 spectrographic camera	كَامِيرَا سَبِكْتُو جِرَافِيَّةٌ
7 hour axis drive	ذِرَاعٌ لِتَدْوِيرِ المِحْوَرِ السَّاعِي
8 hour axis	المِحْوَرُ السَّاعِي
9 horseshoe mounting	حَامِلٌ عَلَى شَكْلِ حُدُودَةِ قَرَسٍ
10 hydrostatic bearing	سَطْحُ ارْتِكَاكِ هِيدروجِسْتَاتِي
11 primary and secondary focusing devices	أَجْزَاءُ التَّرْكِيزِ النَّوْرِي الرَّئِيسِيَّةِ وَالثَّانَوِيَّةِ
12 observatory dome, a revolving dome	قَبَّةُ المَرْمَزِ، قَبَّةٌ دَوَّارَةٌ
13 observation opening	فَتْحَةُ المَرْمَزِ
14 vertically movable dome shutter	غِطَاءٌ قَبَّةِ يَتَحَرَّكُ رَأْسِيًّا
15 wind screen	حَاجِبُ الرِّيحِ
16 siderostat	عَاكِسَةٌ نَجْمِيَّةٌ ثَابِتَةٌ لِالتَّرْجِيحِ (سِيدروسْتَات)
17-28 the Stuttgart Planetarium [section]	قَبَّةٌ "شْتوتْجَارْت" الفَلَكِيَّةِ، مِثْلَقَةُ الإِدَارَةِ وَالمَوْزَنَةِ
17 administration, workshop, and store area	وَالْمَخْرَنُ
18 steel scaffold	سَفَاةٌ حَدِيدِيَّةٌ
19 glass pyramid	هَرْمٌ زَجَاجِيٌّ
20 revolving arched ladder	سُلَّمٌ مَقُوسٌ دَوَّارٌ
21 projection dome	قَبَّةُ الإِسْقَاطِ
22 light stop	حَاجِزُ الضَّوِّءِ
23 planetarium projector	بَرُوجِكْتُورُ المِثْلَقِ
24 well	بِئْرٌ
25 foyer	دِهْلِيْزٌ
26 theatre (Am. theater)	مَسْرَحٌ
27 projection booth	خَبِيْزَةُ الإِسْقَاطِ
28 foundation pile	خَازِقُ الأساسِ
29-33 the Kitt Peak solar observatory near Tucson, Ariz. [section]	مَرْمَزٌ "كِيْت بِيك" الشَّمْشِيّ بِالقَرْبِ مِنْ "تَاكْسُون"، "أَرِيْز" [قِطَاعٌ]
29 heliostat	هَلِيوسْتَاتٌ
30 sunken observation shaft	عَمُودٌ رَصَدٌ غَاغِيْصٌ
31 water-cooled wind-shield	حَاجِبُ رِيحٍ مَبْرَدٌ بِالمَاءِ
32 concave mirror	مِرْآةٌ مَعْرَعَةٌ

32 rain	مَطَر
33 drizzle	رَدَدَان
34 snow	تَلَج
35 ice pellets (graupel, soft hail)	بَرَد رَخْو
36 hail	بَرَد
37 shower	وَأْبِل
38 thunderstorm	عاصفة رعدية
39 lightning	بَرْق
40-58 climatic map	الخريطة المناخية
40 isotherm (line connecting points having equal mean temperature)	خط تساوي درجة الحرارة الأرضية، خط الحرارة
41 0°C (zero) isotherm (line connecting points having a mean annual temperature of 0°C)	خط الحرارة الصفرية (خط يربط نقاطاً لها متوسط درجة حرارة سنوي يبلغ صفرًا متوياً)
42 isocheim (line connecting points having equal mean winter temperature)	خط تساوي القرب (خط يربط نقاطاً لها متوسط حرارة متساوي في الشتاء)
43 isother (line connecting points having equal mean summer temperature)	خط تساوي القبط (خط يربط نقاطاً لها متوسط حرارة متساوي في الصيف)
44 isohel (line connecting points having equal duration of sunshine)	خط تساوي السطوع الشمسي
45 isohyet (line connecting points having equal amounts of precipitation)	خط تساوي المطر (خط يربط نقاطاً لها كمية متساوية من التساقط)
46-52 atmospheric circulation (wind systems)	الدورة الجوية (أنظمة الرياح)
46-47 calm belts	حزامان ساكنان
46 equatorial trough (equatorial calms, doldrums)	نطاق الزهر الاستوائي
47 subtropical high-pressure belts (horse latitudes)	عروض الخيل (منطقتان مستقرتا الطقس بين القطبين)
48 north-east trade winds (north-east trades, tropical easterlies)	رياح تجارية شمالية شرقية
49 south-east trade winds (south-east trades, tropical easterlies)	رياح تجارية جنوبية شرقية
50 zones of the variable westerlies	مناطق الرياح الغربية المتغيرة
51 polar wind zones	مناطق الرياح القطبية
52 summer monsoon	رياح موسمية صيفية
53-58 earth's climates	الأقاليم المناخية الأرضية
53 equatorial climate: tropical zone (tropical rain zone)	المناخ الاستوائي المثلثة المدارية (مثلثة الأمطار الاستوائية)
54 the two arid zones (equatorial dry zones): desert and steppe zones	المنطقتان القاحلتان منطقتا الصحراء والسهب

1,000 mb)	1000 مليبار)
3 mcibar (isobar of under 1,000 mb)	مايوبار (أيسوبار يقل عن 1000 مليبار)
4 atmospheric (barometric) pressure given in millibars	الضغط الجوي مقاساً بالمليبار
5 low-pressure area (low, cyclone, depression)	منطقة ضغط منخفض
6 high-pressure area (high, anticyclone)	منطقة ضغط مرتفع
7 observatory (meteorological watch office, weather station) or ocean station vessel (weather ship)	مرصد (محطة أرصاد جوية) أو سفينة أرصاد جوية
8 temperature	درجة الحرارة
9-19 means of representing wind direction (wind-direction symbols)	طرق/رموز تمثيل اتجاه الرياح
9 wind-direction shaft (wind arrow)	سهم تحديد اتجاه الرياح
10 wind-speed barb (wind-speed feather) indicating wind speed	ريشة تحديد سرعة الرياح
11 calm	هادئة
12 1-2 knots (1 knot = 1.852 kph)	1-2 عقدة العقدة = 1.852 كم/س)
13 3-7 knots	3-7 عقدة
14 8-12 knots	8-12 عقدة
15 13-17 knots	13-17 عقدة
16 18-22 knots	18-22 عقدة
17 23-27 knots	23-27 عقدة
18 28-32 knots	28-32 عقدة
19 58-62 knots	58-62 عقدة
20-24 state of the sky (distribution of the cloud cover)	حالة السماء (توزيع السحب)
20 clear (cloudless)	صافية (خالية من الغيوم)
21 fair	سحب قليلة
22 partly cloudy	غامضة جزئياً
23 cloudy	غامضة
24 overcast (sky mostly or completely covered)	ملبدة بالغيوم
25-29 fronts and air currents	الجبهات والتيارات الهوائية
25 occlusion (occluded front)	جبهة مغلقة
26 warm front	جبهة دافئة
27 cold front	جبهة باردة
28 warm airstream (warm current)	تيار (هواء) دافئ
29 cold airstream (cold current)	تيار (هواء) بارد
30-39 meteorological phenomena	الظواهر المناخية
30 precipitation area	منطقة تساقط (مطر أو ثلج أو ندى)
31 fog	ضباب

cloud (sheet cloud) of medium height	سحاب طبقي متوسط يحمل أمطاراً/ثلوجاً في أجزاءه العلوية
9 altostratus praecipitans, a layer cloud (sheet cloud) with precipitation in its upper parts	مُرَن طبقي مطير، الخفيف
10 nimbostratus, a rain cloud, a layer cloud (sheet cloud) of very large vertical extent which produces precipitation (rain or snow)	مُرَن جزئي يظهر أسفل الخفيف
11 fractostratus, a ragged cloud occurring beneath nimbostratus	ركامي جزئي
12 fractocumulus, a ragged cloud like 11 but with billowing shapes	السحب في الجبهات الباردة
13-17 clouds at cold fronts	جبهة باردة
13 cold front	سحابي ركامي، عندما يُغطي السماء يُطلق عليها السماء الإسقمريّة
14 cirrocumulus, thin fleecy cloud in the form of globular masses; covering the sky: mackerel sky	سحاب ركامي متوسط
15 altocumulus, a cloud in the form of large globular masses	سحاب صيفي قلاعي وندفة
16 altocumulus castellanus and altocumulus floccus, species of 15	سحاب طبقي متوسط (نوع من السحاب الركامي المتوسط)
17 cumulonimbus, a heap cloud of very large vertical extent, to be classified under 1-4 in the case of tropical storms	ركامي مطير، يُصنف تحت الأنواع من 1-4 في حالة العواصف المدارية
18-19 types of precipitation	نوعا التساقط
18 steady rain or snow covering a large area, precipitation of uniform intensity	تساقط ذو كثافة منتظمة، أمطار أو ثلوج متواصلة تغطي منطقة واسعة
19 shower, scattered precipitation	وابل، همزة
9 Meteorology II and Climatology	الأرصاد الجوية (2) وعلم المناخ
1-39 weather chart (weather map, surface chart, surface synoptic chart)	خريطة الطقس الجوي
1 isobar (line of equal or constant atmospheric or barometric pressure at sea level)	أيسوبار خط تساوي الضغط الجوي
2 pleiobar (isobar of over	بلايوبار (أيسوبار يزيد عن

18 meteor	نيزك، شهاب
19 upper limit of ozone layer	الحذ العلوي لطبقة الأوزون
20 zero level	مستوى صفر
21 eruption of Krakatoa	انفجار بركان "كراكاتوا"
22 luminous clouds (noctilucent clouds)	سحب (الليلة) مضيئة
23 the ionosphere	الأيونوسفير
24 range of research rockets	مدى صواريخ البحوث
25 shooting star	شهاب، نيزك
26 short wave (high frequency)	موجة قصيرة (تردد عال)
27 E-layer (Heaviside-Kennelly Layer)	طبقة "كيلي" و"هيفيسايد"
28 F1-layer	طبقة أيلتون - 1
29 F2-layer	طبقة أيلتون - 2
30 aurora (polar light)	الشفق (ضوء قطبي)
31 the exosphere	الإكسوسفير
32 atom layer	طبقة ذرية
33 range of satellite sounding	مدى المسير بالقمر الصناعي
34 fringe region	منطقة حافية
35 altitude scale	مقياس الارتفاع
36 temperature scale (thermometric scale)	مقياس الحرارة
37 temperature graph	الرسم البياني للحرارة
8 Meteorology I	الأرصاد الجوية (1)
1-19 clouds and weather	السحب والطقس
1-4 clouds found in homogeneous air masses	السحب الموجودة في كتل الهواء المتجانسة
1 cumulus (woolpack cloud), a heap cloud; here: cumulus humilis (fair-weather cumulus), a flat-based heap cloud	ركام، سحاب كثوي
2 cumulus congestus, a heap cloud with more marked vertical development	ركام كومي
3 stratocumulus, a layer cloud (sheet cloud) arranged in heavy masses	ركامي طبقي
4 stratus (high fog), a thick, uniform layer cloud (sheet cloud)	رهل، سحاب طبقي كثيف متبسط
5-12 clouds found at warm fronts	السحب في الجبهات الدافئة
5 warm front	جبهة دافئة
6 cirrus, a high to very high ice-crystal cloud, thin and assuming a wide variety of forms	قرع، طخاء سحاب رقيق سحاقفي
7 cirrostratus, an ice-crystal cloud veil	سحاقفي طبقي
8 altostratus, a layer	سحاب طبقي متوسط، رباب

فَتْحَةٌ بُرْكَانٍ خَامِدٍ
المغناطيسية البلوتونية
 باثوليت
 لاكوليت، تَدَاخُلُ
 سَدِّ نَارِي
 الزُّلْزَالِ (نُوعًا تَكُونِي،
 بُرْكَانِي) وَعِلْمُ الزُّلْزَالِ
 مركز الزُّلْزَالِ الجُوفِي
 مركز الزُّلْزَالِ السُّطْحِي
 عَمَقُ مركزِ الزُّلْزَالِ
 مَوْجَةٌ صُدْمِيَّةٌ
 مَوْجَاتٌ زَلْزَالِيَّةٌ سَطْحِيَّةٌ
 خِطٌّ شَاوِيٌّ شِدَّةُ الزُّلْزَالَةِ
 مَمْلَقَةٌ مركزِ الزُّلْزَالِ
 السُّطْحِي
 سِزْموجراف أَفْقِي
 مَضَائِلُ كِهرومغناطيسي
 مِقْبَضُ التَّعْدِيلِ الخَاصِ
 بَغْفَرَةِ التَّنْزِيدِ الحُرِّ للبندول
 وَصَلَةٌ النَابِضِ الخَاصَةِ
 بتطبيق البندول
 كَثْفَةٌ
 ملفات الحثِّ الخَاصَةِ
 بتسجيل فُولْتِيَّةِ الجلفانومتر
 آثار الزُّلْزَالِ
 شلال
 انْتِزَاقٌ أَرْضِي، انْتِهْيَارٌ
 رُكَامٌ
 صُنْحَرَةٌ خَفِيضَةٌ
 حَفْرَةٌ بِالوَعِيَّةِ، نَحْلٌ
 انْقِصَامٌ، زَحْرَجَةٌ، انْحِلَاقٌ
 وَقَبَةٌ زَحْفُ التُّرْبَةِ
 شَقٌّ، فَاصِلٌ
 مَوْجَةٌ سِيَامِيَّةٌ نَاتِجَةٌ عَنِ

تَصْفِيحَةٌ شَمْسِيَّةٌ
 آلَةٌ تَصْوَيرِيَّةٌ تِلْفِيزِيُونِي
 هَوَانِي
 جِهَازٌ اسْتِشْعَارٌ شَمْسِي
 هَوَانِي اسْتِشْعَارٌ عَنِ بَعْدِ
 رَادِيَوْمَتَرٌ جِهَازٌ قِيَاسِ
 الإِشْعَاعِ
الجغرافية الطبيعية
(1)
الهيكَلُ الطَّبَاقِي لِلأَرْضِ
 القِشْرَةُ الأَرْضِيَّةُ
 غِلافُ الأَرْضِ المَائي
 الغِلافُ الصُّخْرِي، الدَّنَازِرُ،
 وَشَاحُ الأَرْضِ
 سِيْمَا القِشْرَةِ العميقة (طبقة
 مَتَوَسِطَةٌ)
 اللب، جُوفُ الأَرْضِ (الكَرَّةُ
 الباطِنِيَّةُ التَّيَلُّبِيَّةُ)
مُنْحَنِي هَيْسُوجِرَافِي
سَطْحُ الأَرْضِ
 قَمَّةٌ، ذُرْوَةٌ
 كَلْبَةٌ قَارِيَّةٌ
 رَصِيفٌ قَارِيٌّ
 مَنَحْدَرٌ قَارِيٌّ
 قَاعُ البَحْرِ (سَطْحُ مَسْتَوٍ
 غُورِي)
 غُورِي سَطْحُ البَحْرِ
 وَهْدٌ تَحْتِ البَحْرِ
الْبُرْكَانِيَّةُ
 بُرْكَانٌ قِيَامِي
 مَضْضَةٌ لَابِيَّةٌ
 بُرْكَانٌ نَشِطٌ
 قُوَّةٌ بُرْكَانِيَّةٌ
 فَتْحَةٌ البُرْكَانِ
 مَجْرَى اللَّابَةِ
 حَلْفَةٌ
 بُرْكَانٌ بَاطِنِيٌّ
 حَمَّةٌ فَوَارَةٌ
 نَفْثٌ مِنَ المَاءِ السَّالِحِينَ
 وَالبَخَارِ
 شُرْهَاتٌ لَبِيدَةٌ
 مَحْرُوظٌ
 قُوَّةٌ بُرْكَانِيَّةٌ (بُرْكَانٌ
 خَامِدٌ)
 رَوَاسِبٌ طَبَقِيَّةٌ
 بَرِيضَةٌ

66 solar panel
 67 television camera
 68 antenna
 69 solar sensor (sun sensor)
 70 telemetry antenna
 71 radiometer
11 Physical Geography I
1-5 layered structure of the earth
 1 earth's crust (outer crust of the earth, lithosphere, oxysphere)
 2 hydrosphere
 3 mantle
 4 sima (intermediate layer)
 5 core (earth core, centrosphere, barysphere)
6-12 hypsographic curve of the earth's surface
 6 peak
 7 continental mass
 8 continental shelf (continental platform, shelf)
 9 continental slope
 10 deep-sea floor (abyssal plane)
 11 sea level
 12 deep-sea trench
13-28 volcanism (volcanicity)
 13 shield volcano
 14 lava plateau
 15 active volcano, a stratovolcano (composite volcano)
 16 volcanic crater (crater)
 17 volcanic vent
 18 lava stream
 19 tuff (fragmented volcanic material)
 20 subterranean volcano
 21 geyser
 22 jet of hot water and steam
 23 sinter terraces (siliceous sinter terraces, fiorite terraces, pearl sinter terraces)
 24 cone
 25 maar (extinct volcano)
 26 tuff deposit
 27 breccia

بُوصَلَاتٌ نَصْفُ كُرْوِيَّةٌ
 مُؤَشِّرٌ اتِّجَاهَ الرِّيحِ
 دَوَّارَةٌ الرِّيحِ
 مِقْيَاسٌ رَطوبِيَّةُ الجَوِّ السَّافِطِ
 تَرْمومترٌ ذُو بُصْلَةٍ جَافَةٍ
 تَرْمومترٌ ذُو بُصْلَةٍ مَحْضَلَّةٍ
 وَقَاه/حَاجِبُ الإِشْعَاعِ
 الشَّمْسِيِّ
 أَتْيُوبٌ مَاصٍ
 مِقْيَاسٌ تَسْجِيلُ كِمِيَةِ المَطَرِ
 غِلافٌ وَاقٍ
 وَعَاءٌ تَجْمِيعٌ
 غِطَاءٌ وَاقٍ مِنَ المَطَرِ
 آليَّةُ التَّسْجِيلِ
 مَمْضٌ أَتْيُوبِيٌّ مَمْضِي
 مِقْيَاسٌ التَّنَاسُفِ
 وَعَاءٌ تَجْمِيعٌ
 وَعَاءٌ تَخْزِينٌ
 مِخْبَارٌ قِيَاسٌ
 وَأَيْجَةٌ لِقِيَاسِ كِمِيَةِ سَقُوطِ
 الجَلِيدِ
 وَقَاهُ التَّرْمومترِ
 مَرْمَسَةٌ الرُّطوبِيَّةُ الشَّمْسِيَّةُ
 (هَيْسُوجِرَافِي)
 تَرْمومترٌ جِرَافِي
 مِقْيَاسٌ رَطوبِيَّةُ الجَوِّ
 تَرْمومترَاتٌ لِقِيَاسِ
 نِجَاطِ الحَرَارَةِ القُصْوِي
 وَالدَّنَائِيَا
 تَرْمومترٌ ذَرَجَةِ الحَرَارَةِ
 القُصْوِي
 تَرْمومترٌ ذَرَجَةِ الحَرَارَةِ
 الدَّنَائِيَا
 مَجْمُوعَةٌ سِنَارٌ لَاسَلِكِي
 مِظْطَازٌ/بَالُونٌ هَيْدروجِينِ
 مِثْلَةٌ، بَرَانُوتٌ
 عَاكِسٌ رَادَارِيٌّ ذُو خَطُوطِ
 مِيَاغِدَةٍ
 مِقْرٌ/غِلافُ الآلَةِ مَزُودٌ
 بِمَسَارٍ لَاسَلِكِي (جِهَازٌ
 إِرسَالِ مَوْجَاتٍ قَصِيرَةٍ)
 وَهَوَانِي
 مِقْيَاسٌ إِتِفَاقِيَّةُ الجَوِّ
 آلَةٌ تَسْجِيلٌ
 جِهَازٌ إِرسَالٌ
 جِهَازٌ اسْتِغْفَالٌ
 قَمَرٌ صِنَاعِيٌّ لِلرَّصْدِ الجُوفِي
 آلَةٌ تَسْجِيلٌ
 جِهَازٌ إِرسَالٌ
 جِهَازٌ اسْتِغْفَالٌ
 قَمَرٌ صِنَاعِيٌّ لِلرَّصْدِ الجُوفِي
 قَلَابَاتٌ تَنْظِيمُ ذَرَجَةِ
 الحَرَارَةِ

spherical cups
 31 wind-direction indicator
 32 wind vane
 33 aspiration psychrometer
 34 dry bulb thermometer
 35 wet bulb thermometer
 36 solar radiation shielding
 37 suction tube
 38 recording rain gauge (Am. gage)
 39 protective housing (protective casing)
 40 collecting vessel
 41 rain cover
 42 recording mechanism
 43 siphon tube
 44 precipitation gauge (Am. gage) (rain gauge)
 45 collecting vessel
 46 storage vessel
 47 measuring glass
 48 insert for measuring snowfall
 49 thermometer screen (thermometer shelter)
 50 hygrograph
 51 thermograph
 52 psychrometer (wet and dry bulb thermometer)
53-54 thermometers for measuring extremes of temperature
 53 maximum thermometer
 54 minimum thermometer
 55 radiosonde assembly
 56 hydrogen balloon
 57 parachute
 58 radar reflector with spacing lines
 59 instrument housing with radiosonde [a short-wave transmitter] and antenna
 60 transmissometer, an instrument for measuring visibility
 61 recording instrument (recorder)
 62 transmitter
 63 receiver
 64 weather satellite (ITOS satellite)
 65 temperature regulation flaps

منطلقنا الأمطار المعتدلة
 مناخ شمالي-مناخ الغابة الجليدية)
نوعا المناخ القطبي
 مناخ تندرا (القطب الشمالي)
 مناخ الصقيع المستمر
أجهزة الأرصاد الجوية
 بارومتر زئبقي، بارومتر
 يعتمد سائل
 عمود الزئبق
 مقياس المليبار
 باروجراف (مترسة الضغط الجوي)
 طبلية/أسطوانة التسجيل
 مجموعة كبسولات لاسائلية
 ذراع التسجيل
 مترسة الرطوبة الشببية
 هيجرومتر شعري (مقياس الرطوبة الشببية في الجو)
 معايرة القراءة
 ذراع التسجيل
 قلم التسجيل
 تروس التغيير الخاصة
 بحركة آلية الساعة
 زر الإيقاف الخاص بذراع
 التسجيل
 طبلية/أسطوانة التسجيل
 مقياس زمني
 غلاف/إطار تثبيت
 ثرموجراف
 طبلية/أسطوانة التسجيل
 ذراع التسجيل
 عنصر الاستشعار
 بريليوميتر ذو قرص فضي
 (مقياس حرارة الإشعاع الشمسي)
 قرص فضي
 ترمومتر
 غلاف خشبي عازل
 أنبوب رقي
 مقياس سرعة الرياح
 مؤشر سرعة الرياح
 (مقياس سرعة الرياح)
 أذرع متعامدة مزودة

Atom, Universe, Earth / الذرة - الكون - الأرض
 55 the two temperate rain zones
 56 boreal climate (snow forest climate)
57-58 polar climates
 57 tundra climate
 58 perpetual frost climate
10 Meteorological Instruments
 1 mercury barometer, a siphon barometer, a liquid-column barometer
 2 mercury column
 3 millibar scale, a millimetre (Am. millimeter) scale
 4 barograph, a self-registering aneroid barometer
 5 drum (recording drum)
 6 bank of aneroid capsules (aneroid boxes)
 7 recording arm
 8 hygrograph
 9 hygrometer element (hair element)
 10 reading adjustment
 11 amplitude adjustment
 12 recording arm
 13 recording pen
 14 change gears for the clockwork drive
 15 off switch for the recording arm
 16 drum (recording drum)
 17 time scale
 18 case (housing)
 19 thermograph
 20 drum (recording drum)
 21 recording arm
 22 sensing element
 23 silver-disc (silver-disk) pyrheliometer, an instrument for measuring the sun's radiant energy
 24 silver disc (disk)
 25 thermometer
 26 wooden insulating casing
 27 tube with diaphragm (diaphragmed tube)
 28 wind gauge (Am. gage) (anemometer)
 29 wind-speed indicator (wind-speed meter)
 30 cross arms with hemi-

51 canyon river نهر أخدودي
 52-56 types of valley أنواع الوديان [مقاطع عرضي]
 52 gorge (ravine) واد عميق ضيق واد متفرج
 53 V-shaped valley (V-valley) واد متفرج متسع
 54 widened V-shaped valley واد غوري
 55 U-shaped valley (U-valley, trough valley) واد قيعري/التواني وادي النهر
 56 synclinal valley جرف، منحدر شديد منحدر انزلاقي
 57-70 river valley الميسا هضبة صغيرة مسطحة ذات سفوح شديدة الانحدار
 57 scarp (escarpment) مرتفع صخري
 58 slip-off slope سهل قيعري
 59 mesa شرفة صغيرة رصيف صخري ثنائي خفيف الانحدار، راحة، سد تل
 60 ridge قاع الوادي
 61 river نهر
 62 flood plain سهل قيعري
 63 river terrace شرفة نهريه
 64 terracette شرفة، شرفة صغيرة
 65 pediment رصيف صخري ثنائي خفيف الانحدار، راحة، سد تل
 66 hill قاع الوادي
 67 valley floor (valley bottom) قاع النهر
 68 riverbed رواسب
 69 sediment صخر القاعدة
 70 bedrock صخر القاعدة
 71-83 karst formation in limestone تكوين الكارست في الحجر الجيري
 71 dolina, a sink (sink-hole, swallowhole) دحل، دولينا
 72 polje البوئج متفصص ممتد له أرضية مسطحة وجدران شديدة الانحدار وليس به مجرى مائي أرضي
 73 percolation of a river تظل/رشح نهر
 74 karst spring نبع/عين الكارست
 75 dry valley واد جاف
 76 system of caverns (system of caves) نظام الكهوف
 77 water level (water table) in a karst formation مستوى الماء في تكوين الكارست
 78 impervious rock (impermeable rock) صخر غير منفذ
 79 limestone cave (dripstone cave) كهف من الحجر الجيري
 80-81 speleothems (cave formations) رواسب معدنية ثانوية تتكون في الكهوف
 80 stalactite (dripstone) هابطة
 81 stalagmite صاعدة
 82 linked-up stalagmite and stalactite صاعدة وهابطة متصلتان
 83 subterranean river نهر باطني

مُسْتَقْع (مُسْتَقْع ملح، هور)
 مُسْتَقْع سَبِيح مُتَخَفَض
 طبقات مَوَاد نباتية مُتَغَفِّة
 مياه مُحْصُورَة
 حَتَّ مُوَرِي
 حَتَّ مُسْتَقْع جَار المَاء
 مُسْتَقْع سَبِيح مُرْتَفِع
 طَبَقَة مِنْ طَحَالِب الإِسْفَنْجُون
 حَدِيثَة التَّكْوِين
 الحُدُود الفاصِلة بَيْن الطَبَقَات
 طَبَقَة مِنْ طَحَالِب الإِسْفَنْجُون
 أَقْدَم فِي التَّكْوِين
 بَرَكَة المُسْتَقْع
 مُسْتَقْع
 المُرْتَفَعَات الصَّخْرِيَة
 صَخْرَة
 بَحْر (مُحِيط)
 رُبْد
 مُنْحَدَر صَخْرِي، جِرْف
 رُكَام صَخْرِي انْهِيَارِي
 تَلْمَة
 سَطْح/رَصِيف السَّحْب
 شَعْب حَلْقِي مُرْجَانِي
 بَحِيرَة شَاطِئِيَة صَحْلَة
 فُتْحَة، ثَغْرَة
 شَاطِئِي
 عِلَامَة المَد
 أَمْوَاج تَتَكَسَّر عَلَى الشَّاطِئِي
 حَاجِز أَمْوَاج (لِمتَع تَأْكَل الشَّاطِئِي)
 رَأْس حَاجِز الأَمْوَاج
 كَنْبَر رَمْلِي مُسْتَقَل
 بَرْخَان، كَنْبَر هِلَالِي
 عِلَامَات اللَّيْم
 رِبْوَة، رَابِيَة
 حَاجِز رِيح
 بَحِيرَة سَاحِلِيَة
 وَاد سَحِيق، هَوَة
 هَضْبَة
 شُرْفَة صَخْرِيَة
 صَخْرَة رَسُوْبِيَة
 شُرْفَة نَهْرِيَة
 فِلَق، فِلَقَة

14-24 bog (marsh)
 14 low-moor bog
 15 layers of decayed vegetable matter
 16 entrapped water
 17 fen peat [consisting of rush and sedge]
 18 alder-swamp peat
 19 high-moor bog
 20 layer of recent sphagnum mosses
 21 boundary between layers (horizons)
 22 layer of older sphagnum mosses
 23 bog pool
 24 swamp
 25-31 cliffline (cliffs)
 25 rock
 26 sea (ocean)
 27 surf
 28 cliff (cliff face, steep rock face)
 29 scree
 30 [wave-cut] notch
 31 abrasion platform (wave-cut platform)
 32 atoll, a ring-shaped coral reef
 33 lagoon
 34 breach (hole)
 35-44 beach
 35 high-water line (high-water mark, tidemark)
 36 waves breaking on the shore
 37 groyne (Am. groin)
 38 groyne (Am. groin) head
 39 wandering dune (migratory dune, traveling, Am. traveling, dune), a dune
 40 barchan (barchane, barkhan, crescentic dune)
 41 ripple marks
 42 hummock
 43 wind cripple
 44 coastal lake
 45 canyon (cañon, coulee)
 46 plateau (tableland)
 47 rock terrace
 48 sedimentary rock stratified rock
 49 river terrace (bed)
 50 joint

طبقة غير منفذة
 طبقة مسامية تقوم بدور صخر الكمن
 غاز طبيعي (قننسة غازية)
 بتروول (زيت خام)
 مياه تحتية
 برج الحفر
 منطقة جبلية
 قمة جبلية مستديرة
 نتوء جبلي
 منحدر جبلي
 نبع جانب المنحدر
 إقليم جبلي مرتفع
 سلسلة جبلية، كتلة جبلية
 قمة الجبل
 كتف
 سرج
 واجهة صخرية
 شغب
 ركام المنحدرات (هشيم)
 ممر بري
 ضلع
 الثلج الجليدي
 حوض الثلج الجليدي
 منطحة الوادي
 شق جليدي
 خرطوم المتلجة
 مجرى مائي أسفل المتلجة
 ركام الجليد الجانبي
 ركام الجليد الوسطي
 ركام الجليد النهائي
 مادة جليدية

an anticline
 28 impervious stratum (impermeable stratum)
 29 porous stratum acting as reservoir rock
 30 natural gas, a gas cap
 31 petroleum (crude oil)
 32 underlying water
 33 derrick
 34 mountainous area
 35 rounded mountain top
 36 mountain ridge (ridge)
 37 mountain slope
 38 hillside spring
 39-47 high-mountain region
 39 mountain range, a massif
 40 summit (peak, top of the mountain)
 41 shoulder
 42 saddle
 43 rock face (steep face)
 44 gully
 45 talus (scree, detritus)
 46 bridle path
 47 pass (col)
 48-56 glacial ice
 48 firm field (firm basin, névé)
 49 valley glacier
 50 crevasse
 51 glacier snout
 52 subglacial stream
 53 lateral moraine
 54 medial moraine
 55 end moraine
 56 glacier table
 13 Physical Geography III
 1-13 fluvial topography
 1 river mouth, a delta
 2 distributary (distributary channel), a river branch (river arm)
 3 lake
 4 bank
 5 peninsula (spit)
 6 island
 7 bay (cove)
 8 stream (brook, rivulet, creek)
 9 levee
 10 alluvial plain
 11 meander (river bend)
 12 meander core (rock island)
 13 meadow
 أرض موحية

wave) produced by seaquake (submarine earthquake)
 54 raised beach
 12 Physical Geography II
 1-33 geology
 1 stratification of sedimentary rock
 2 strike
 3 dip (angle of dip, true dip)
 4-20 orogeny (orogenesis, tectogenesis, deformation of rocks by folding and faulting)
 4-11 fault-block mountain (block mountain)
 4 fault
 5 fault line (fault trace)
 6 fault throw
 7 normal fault (gravity fault, normal slip fault, slump fault)
 8-11 complex faults
 8 step fault (distributive fault, multiple fault)
 9 tilt block
 10 horst
 11 graben
 12-20 range of fold mountains (folded mountains)
 12 symmetrical fold (normal fold)
 13 asymmetrical fold
 14 overfold
 15 recumbent fold (reclined fold)
 16 saddle (anticline)
 17 anticlinal axis
 18 trough (syncline)
 19 trough surface (trough plane, synclinal axis)
 20 anticlinorium
 21 groundwater under pressure (artesian water)
 22 water-bearing stratum (aquifer, aquafer)
 23 impervious rock (impermeable rock)
 24 drainage basin (catchment area)
 25 artesian well
 26 rising water, an artesian spring
 27 petroleum reservoir in
 682
 زلزال تحت البحر
 قسمة مرتفعة
 الجغرافية الطبيعية (2)
 الجيولوجيا
 تكون طبقات الصخور الرسوبية
 متجه الطبقة
 ميل الطبقة الأرضية بالشئبة إلى الأفق
 نشوء الجبال
 الجبال الإنكسارية (الجبال الكتلية)
 صدع، فالق
 خط الصدع
 رمشة الصدع
 صدع عادي
 صدوع مركبة/معقدة
 صدوع درجية/مدرجة
 كتل مائلة
 هضبة الدفاعية، ظهر
 خنفس، غور، أخدود
 سلسلة جبال التوائية
 طية متماثلة
 طية غير متماثلة
 طية منكئة
 طية مضطجعة
 طية سرجية
 محور الطية السحذبة
 طية مقعرة
 محور الطية المقعرة
 طية محدبة مركبة
 مياه جوفية ارتوازية
 طبقة خازنة للماء
 صخر غير منفذ
 حوض الصرف
 بئر ارتوازية
 نبع/عين ارتوازية
 مكمن بتروول في طية محدبة

طاحونة هوائية
بيت الزعرور (بحيرة
ملحية، ملاحه)
محطة إذاعة (برج بث
لاسلكي أو تلفزيوني)
منجم
منجم متهوور
طريق ثانوي
منصع
مدخنة
سياج سلكي
جسر فوق سكة حديدية
محطة سكة حديدية
جسر أسفل سكة حديدية
ممر المشاة
جسر مشاة أسفل سكة
حديدية
نهر ملاح
جسر عائم (على أطواف)
مدنية
حاجز أمواج
فتار (العمياء الضحلة)
جسر حجري
بلدة أو مدينة
منطقة السوق
كنيسة ضخمة ذات برجين
مبنى حكومي
جسر عبور الطريق
جسر حديدي
قناة
هويس
رصيف بحري
مدنية ركاب
أثرية بدون برج أو قمة
هرمية
خطوط كتوربية، مناسب
دير
معلم كنيسة
كروم
سد صغير
طريق جبلي هوائي
برج الروية
سد
نفق
نقطة التثليل
أنقاض مبنى
مضخة نثار بالرياح
قلعة، حصن
بديرة قوسية الشكل
نهر
طاحونة مائية

31 windmill
32 thorn house
(graduation house,
salina, salt-works)
33 broadcasting station
(wireless or television
mast)
34 mine
35 disused mine
36 secondary road
(B road)
37 works
38 chimney
39 wire fence
40 bridge over railway
41 railway station (*Am.*
railroad station)
42 bridge under railway
43 footpath
44 bridge for footpath
under railway
45 navigable river
46 pontoon bridge
47 vehicle ferry
48 mole
49 beacon
50 stone bridge
51 town or city
52 market place (market
square)
53 large church with two
towers
54 public building
55 road bridge
56 iron bridge
57 canal
58 lock
59 jetty
60 foot ferry (foot
passenger ferry)
61 chapel (church) with-
out tower or spire
62 contours
63 monastery or convent
64 church landmark
65 vineyard
66 weir
67 aerial ropeway
68 view point
69 dam
70 tunnel
71 triangulation station
(triangulation point)
72 remains of a building
73 wind pump
74 fortress
75 ox-bow lake
76 river
77 watermill

مرآة ضوئية
تلسكوب
ميزان شوية
معايرة دائرية
المنسح التصويري
كاميرا مسح جوي للإلتقاط
مجموعات متراكبة من
الصور
ستريوسكوب، مجسام
بانوجراف، ميساخ
ستريوبلانيجراف
الخريطة (2)
رموز الخريطة على
خريطة بمقياس
25000 1
أشجار صنوبرية
منطقة خالية من الأشجار
مكتب شئون الغابة
أشجار نفضية
أرض عشبية وعرية
رمال أو تلال رملية
حشائش شاطئية
مئارة
مياه منخفضة
فتار (العمياء الضحلة)
مناسيب تحت الماء
مدنية
مئارة عائمة
أشجار متنوعة
دغل
طريق للعبّات وبه حارة
للعبّات المسرعة
طريق رئيسي
أرض عشبية
أرض عشبية سبخة
منشعب
خط سكة حديدية رئيسي
طريق يمر فوق سكة حديدية
خط فرعي
مصدوق الإشارة
خط محلي
مزلقان، تقاطع مستوي
موقف احتيازي
منطقة سكنية
مقياس الماء
طريق مرصوف بالحجارة

59 illuminating mirror
60 telescope
61 spirit level
62 circular adjustment
63-66 photogrammetry
(phototopography)
63 air survey camera for
producing overlapping
series of pictures
64 stereoscope
65 pantograph
66 stereoplanigraph
15 Map II
1-114 map signs (map
symbols, conventional
signs) on a 1:25 000
map
1 coniferous wood
(coniferous trees)
2 clearing
3 forestry office
4 deciduous wood (non-
coniferous trees)
5 heath (rough grassland,
rough pasture, heath
and moor, bracken)
6 sand or sand hills
7 beach grass
8 lighthouse
9 mean low water
10 beacon
11 submarine contours
12 train ferry
13 lightship
14 mixed wood (mixed
trees)
15 brushwood
16 motorway with slip
road (*Am.* freeway with
on-ramp, freeway with
acceleration lane)
17 trunk road
18 grassland
19 marshy grassland
20 marsh
21 main line railway (*Am.*
trunk line)
22 road over railway
23 branch line
24 signal box (*Am.* switch
tower)
25 local line
26 level crossing
27 halt
28 residential area
29 water gauge (*Am.*
gage)
30 good, metalled road

تبار محيطي بارد
تيار محيطي ساخن
مقياس الرسم
التيارات المحيطية
البحرية
جزر شمال الأطلنطي
كورشيو (تبار اليابان)
التيار الاستوائي الشمالي
التيار الاستوائي المعاكس
التيار الاستوائي الجنوبي
التيار البرازيلي
التيار الصومالي
تبار أجولاس
تبار شرق استراليا
تبار كاليفورنيا
تبار لا برادور
تبار الكناري
تبار بيرو
تبار بنجويلا
جزر الرياح الغربية
تبار غرب استراليا
عمليات المنسح الجغرافي
قياس المناسيب
قضيب قياس مدرج
تلسكوب المنساح
نقطة التثليل
سقالة داعم/إسناد
برج الإشارة
المزودة، فيودوليت
رأس ميكرومتر
عينية ميكرومترية
قلاووظ المناس الرأسي
قائمة/بلزمة رأسية
قلاووظ المناس
قائمة/بلزمة أفقية
معايرة المرآة الضوئية

map symbols)
27 cold ocean current
28 warm ocean current
29 scale
30-45 ocean (oceanic)
currents (ocean drifts)
30 Gulf Stream (North
Atlantic Drift)
31 Kuroshio (Kuro Siwo,
Japan Current)
32 North Equatorial
Current
33 Equatorial
Countercurrent
34 South Equatorial
Current
35 Brazil Current
36 Somali Current
37 Agulhas Current
38 East Australian Current
39 California Current
40 Labrador Current
41 Canary Current
42 Peru Current
43 Benguela (Benguella)
Current
44 West Wind Drift
(Antarctic Circumpolar
Drift)
45 West Australian
Current
46-62 surveying (land
surveying, geodetic
surveying, geodesy)
46 levelling (*Am.* leveling)
(geometrical measure-
ment of height)
47 graduated measuring
rod (levelling, *Am.*
levelling, staff)
48 level (surveying level,
surveyor's level), a
surveyor's telescope
49 triangulation station
(triangulation point)
50 supporting scaffold
51 signal tower (signal
mast)
52-62 theodolite, an
instrument for
measuring angles
52 micrometer head
53 micrometer eyepiece
54 vertical tangent screw
55 vertical clamp
56 tangent screw
57 horizontal clamp
58 adjustment for the
illuminating mirror

الخريطة (1)
شبكة خطوط الطول
والعرض على الخريطة
خط الاستواء
خط عرض
قطب القطب الشمالي أو
القطب الجنوبي، قطب
أرضي
خط طول
خط الزوال الرئيسي
ارتفاع
طول
مساقط الخريطة
منسقط مخروطي
منسقط أسطواني
(مركاتوربي)
خريطة العالم
الدوائر
الدائرتان القطبيتان
القارات
أمريكا
أمريكا الشمالية
أمريكا الجنوبية
أفريقيا
أوروبا وآسيا
أوروبا
آسيا
استراليا
أنتاركتيكا (القارة القطبية)
المحيطات
المحيط الباسيفيكي
المحيط الأطلسي (الأطلنطي)
المحيط القطبي الشمالي
المحيط القطبي الجنوبي
المحيط الهندي
مضيق جبل طارق
البحر الأبيض المتوسط
بحر الشمال
مفتاح الخريطة

Atom, Universe, Earth / الذرة - الكون - الأرض
14 Map I
1-7 graticule of the earth
(network of meridians
and parallels on the
earth's surface)
1 equator
2 line of latitude (parallel
of latitude, parallel)
3 pole (North Pole or
South Pole), a
terrestrial pole
(geographical pole)
4 line of longitude
(meridian of longitude,
meridian, terrestrial
meridian)
5 Standard meridian
(Prime meridian,
Greenwich meridian,
meridian of
Greenwich)
6 latitude
7 longitude
8-9 map projections
8 conical (conic)
projection
9 cylindrical projection
(Mercator projection,
Mercator's projection)
10-45 map of the world
10 tropics
11 polar circles
12-18 continents
12-13 America
12 North America
13 South America
14 Africa
15-16 Europe and Asia
15 Europe
16 Asia
17 Australia
18 Antarctica (Antarctic
Continent)
19-26 ocean (sea)
19 Pacific Ocean
20 Atlantic Ocean
21 Arctic Ocean
22 Antarctic Ocean
(Southern Ocean)
23 Indian Ocean
24 Strait of Gibraltar, a
sea strait
25 Mediterranean (Medi-
terranean Sea, Euro-
pean Mediterranean)
26 North Sea, a marginal
sea (epeiric sea, epi-
continental sea)
27-29 key (explanation of
684

78 footbridge	جَسْر عبور المشاة
79 pond	بركة
80 stream (brook, rivulet, creek)	نَهْرٌ، مَجْرَى مَائِيّ
81 water tower	بُرْج خزانات الماء
82 spring	جَدْوَل مِيَاه، عَيْن مِيَاه
83 main road (A road)	طَرِيق رَاسِيّ
84 cutting	نَقْفٌ غَيْرِ مَسْقُوف
85 cave	كَهْفٌ
86 lime kiln	قَمِين جِر
87 quarry	مَحْجَر
88 clay pit	حَفْرَةٌ طِين
89 brickworks	مَصْنَعٌ طُوب
90 narrow-gauge (Am. narrow gage) railway	سِكَّة حديدية ضيقة
91 goods depot (freight depot)	مَسْتَوْدَع بضائع
92 monument	نُصْب تذكاريّ
93 site of battle	مَوْقِع معركة
94 country estate, a demesne	ضَيْفَةٌ أو عَزْبَةٌ
95 wall	جِدَار، سُوْر
96 stately home	مَنْزِلٌ فَاخِر
97 park	مَنْتَزَه
98 hedge	سِيَاج
99 poor or unmetalled road	طَرِيقٌ غَيْرِ مَسْبَد
100 well	بئر
101 farm	مَرْزَعَة
102 unfenced path (unfenced track)	مَمْرٌ غَيْرِ مَسْبَج
103 district boundary	حُدُود الضاحية
104 embankment	سَد
105 village	قَرْيَة
106 cemetery	مَدْفِن، جَنّات
107 church or chapel with spire	كَنِيسَة قِبْطِيَّة هَرْمِيَّة
108 orchard	بَسْتَان
109 milestone	مَعْلَم الطَرِيق
110 guide post	لَاقِطَة الطَرِيق
111 tree nursery	مَسْتَنْطَلِ أُشْجَار
112 ride (aisle, lane, section line)	مَمْرٌ، دَرْب
113 electricity transmission line	خَطٌّ نَقْل الكهرياء
114 hop garden	حَدِيقة خَشِيصَة الدَّيْنَار
16 Man I	الإنسان (1)
1-54 the human body	جِسم الإنسان
1-18 head	الرأس
1 vertex (crown of the head, top of the head)	قِمَة الرَّأس
2 occiput (back of the head)	الْقَدَال، الْفَقَا، مَوْخِرَة
3 hair	الشَّعْر
4-17 face	الوَجْه
4-5 forehead	الجَبْهَة
4 frontal eminence (frontal protuberance)	بُرُوز الجَبْهَة
5 superciliary arch	القَوْسُ فَوْق الهَدْيِي
6 temple	صَدْع
7 eye	عَيْن
8 zygomatic bone (malar bone, jugal bone, cheekbone)	العَظْمُ الوَجْهِيّ
9 cheek	وَجْهَة
10 nose	أَنْف
11 nasolabial fold	ثَنِيَة أَنْف-شَفْوِيَة
12 philtrum	ثَرْمَلَة، النَثْرَة
13 mouth	فَم
14 angle of the mouth (labial commissure)	زَاوِيَة الفَم
15 chin	ذَقْن
16 dimple (fossette) in the chin	غَمَازَة، نَقْرَة فِي الذَّقْن
17 jaw	فَك
18 ear	أُذُن
19-21 neck	الرَقِيْبَة/ العُنُق
19 throat	الرُّوْر
20 hollow of the throat	وَقْرَة الرُّوْر
21 nape of the neck	فَقَا الرَقِيْبَة
22-41 trunk	الجُدْع
22-25 back	الظَّهْر
22 shoulder	كَتِف
23 shoulderblade (scapula)	لُوح الكَتِف
24 loins	خَاصِرَة
25 small of the back	الْقَطْن
26 armpit	إِبْط
27 armpit hair	شَعْر الإِبْط
28-30 thorax (chest)	الصُّدْر
28-29 breasts (breast, mamma)	الثَدِيَّان
28 nipple	حَلْمَة
29 areola	لَعُوَة، هَالَة
30 bosom	مَنْتَصَف الصُّدْر
31 waist	خَصْر
32 flank (side)	جَنْب
33 hip	وَرَك
34 navel	سُرَة
35-37 abdomen (stomach)	البِطْن
35 upper abdomen	الجزء العلوي من البطن، فَم المَعِدَة
36 abdomen	بَطْن
37 lower abdomen	الجزء السفلي من البطن
38 groin	الأُرْبِيَة، المَغِيْن
39 pudenda (vulva)	أَعْضَاء التَّاسَلِ الخَارِجِيَة
40 seat (backside, coll. bottom)	مِقْعَدَة
41 anal groove (anal cleft)	الحَرُّ الإِسْتِيّ
42 gluteal fold (gluteal furrow)	الثَنِيَة الأَلْوِيَة
43-54 limbs	الأَطْرَاف
43-48 arm	الذَّرَاع
43 upper arm	عَضُد
44 crook of the arm	ثَنِيَة الذَّرَاع
45 elbow	مِرْفَق
46 forearm	سَاعِد
47 hand	يَد

48 fist (clenched fist, clenched hand)	قَبِيضَة
49-54 leg	السَّاق
49 thigh	فَخْذ
50 knee	رَكْبَة
51 popliteal space	بَاطِن الرُّكْبَة
52 shank	الرَّجْل
53 calf	بَطْن السَّاق، السَّمَانَة
54 foot	قَدَم

17 Man II
1-29 skeleton (bones)
1 skull
2-5 vertebral column

(spinal column, spine, backbone)	الإنسان (2) الهيكل العظمي (العظام) العمود الفقاري
2 cervical vertebra	فَقْرَة عُنُقِيَة
3 dorsal vertebra	فَقْرَة ظَهْرِيَة
4 lumbar vertebra	فَقْرَة قَطْبِيَة
5 coccyx (coccygeal vertebra)	العَضَص

6-7 shoulder girdle	الحزام الكتفي
6 collarbone (clavicle)	عَظْم التَّرْقُوَة (التَّرْقُوة)
7 shoulderblade (scapula)	لُوح الكَتِف
8-11 thorax (chest)	الصُّدْر
8 breastbone (sternum)	عَظْم القَصْر
9 true ribs	ضُلُوع حَقِيقِيَة
10 false ribs	ضُلُوع كَاذِبَة
11 costal cartilage	غُضُرُوف ضَلِغِيّ
12-14 arm	الذَّرَاع
12 humerus	العَضُد
13 radius	الكُنْبُرَة
14 ulna	الرُّذَنْد
15-17 hand	اليَد
15 carpus	الرَّاسِيع
16 metacarpal bone (metacarpal)	العَظَام السُّعْمِيَة

17 phalanx (phalange)	سَلَامِيَّات
18-21 pelvis	الحَوْض
18 ilium (hip bone)	الحَرْقَفَة
19 ischium	الرُّوْك
20 pubis	العَائِيَة
21 sacrum	العُجُز
22-25 leg	السَّاق
22 femur (thigh bone, thigh)	عَظْم الفَخْذ
23 patella (kneecap)	الرَّضْفَة (صَابُونَة الرُّكْبَة)
24 fibula (splint bone)	السَّيْطِيَة
25 tibia (shinbone)	الظَّنْبُوب
26-29 foot	الْقَدَم
26 tarsal bones (tarsus)	عَظْم رُصْع (رُصْع) الْقَدَم
27 calcaneum (heelbone)	العَقَب
28 metatarsus	العَظَام المُشَطِيَة
29 phalanges	السَّلَامِيَّات
30-41 skull	الجَجمَة
30 frontal bone	العَظْم الجَبْهِيّ
31 left parietal bone	العَظْم الجَدَارِيّ الأَيْسَر
32 occipital bone	العَظْم القَدَالِيّ

33 temporal bone	العَظْم الصَّمغِيّ
34 external auditory canal	قَنَاة السَّمْع الخَارِجِيَة
35 lower jawbone (lower jaw, mandible)	الفَك السفلي
36 upper jawbone (upper jaw, maxilla)	الفَك العلوي
37 zygomatic bone (cheekbone)	العَظْم الوَجْهِيّ
38 sphenoid bone (sphenoid)	العَظْم الوَثْدِيّ
39 ethmoid bone (ethmoid)	العَظْم المِصْفُويّ
40 lacrimal (lacrima) bone	العَظْم الدَّمْعِيّ
41 nasal bone	العَظْم الأنْفِيّ
42-55 head [section]	الرَّأْس [مَقْطَع]
42 cerebrum (great brain)	الدَّمْع
43 pituitary gland (pituitary body, hypophysis cerebri)	الغَدَة النَخَامِيَة
44 corpus callosum	الجِسم التَّعَنِيّ
45 cerebellum (little brain)	المُخْتَبِع
46 pons (pons cerebri, pons cerebelli)	جِسْر المَخْتَبِع
47 medulla oblongata (brain stem)	السُّخَّاع الشُّوكِيّ
48 spinal cord	الحَبْلُ الشُّوكِيّ
49 oesophagus (esophagus, gullet)	العَرِيء
50 trachea (windpipe)	القَضِيْبَة البَهَائِيَة
51 epiglottis	لِسَان المَرْزَمَار
52 tongue	اللِّسَان
53 nasal cavity	التَّجْوِيف الأنْفِيّ
54 sphenoidal sinus	الجِيْب الوَثْدِيّ
55 frontal sinus	الجِيْب الجَبْهِيّ
56-65 organ of equilibrium and hearing	عَضُو التَّوَاظُن والسَّمْع
56-58 external ear	الأذُن الخَارِجِيَة
56 auricle	صِيْوَان الأذُن
57 ear lobe	فَضِيص الأذُن
58 external auditory canal	قَنَاة السَّمْع الخَارِجِيَة
59-61 middle ear	الأذُن الوَسْطِيّ
59 tympanic membrane	طَبَلَة الأذُن، الغِشَاء الطَّبَلِيّ
60 tympanic cavity	التَّجْوِيف الطَّبَلِيّ
61 auditory ossicles: hammer, anvil, and stirrup (malleus, incus, and stapes)	عَظْمِيَّات السَّمْع المَطْرُقَة وَالسَّدَان وَالرَّكَّاب
62-64 inner ear (internal ear)	الأذُن الدَاخِلِيَة
62 labyrinth	التِّه
63 cochlea	القَوْقَعَة
64 auditory nerve	العَصْب السَّمْعِيّ
65 eustachian tube	قَنَاة اسْتَاكِيُوس
18 Man III	الإنسان (3)
1-21 blood circulation (circulatory system)	الدَّوْرَة الدَّمِيَة (الجِهَاز الدَّوْرِيّ)
1 common carotid artery,	شُرْبَان سِيَاتِيّ عَادِيّ

an artery	وَرِيدٌ وَدَجِيٌّ
2 jugular vein, a vein	شُرَيَانٌ صَدَاقِيٌّ
3 temporal artery	وَرِيدٌ صَدَاقِيٌّ
4 temporal vein	شُرَيَانٌ جَنْبِيٌّ
5 frontal artery	وَرِيدٌ جَنْبِيٌّ
6 frontal vein	الشُّرَيَانُ تَحْتَ التَّرْقَوِيِّ
7 subclavian artery	الوَرِيدُ تَحْتَ التَّرْقَوِيِّ
8 suvclavian vein	الوَرِيدُ الأَجْوْفِ العُلويِّ
9 superior vena cava	الأورطي، الأَبْهَرُ
10 arch of the aorta (aorta)	الشُّرَيَانُ الرَّئَوِيُّ [وَبِهِ دَمٌ وَرِيدِيٌّ]
11 pulmonary artery [with venous blood]	الوَرِيدُ الرَّئَوِيُّ [وَبِهِ دَمٌ شُرَيَانِيٌّ]
12 pulmonary vein [with arterial blood]	الرَّتْانُ
13 lungs	القلب
14 heart	الوَرِيدُ الأَجْوْفِ السُّفليِّ
15 inferior vena cava	الأورطي البطني
16 abdominal aorta (descending portion of the aorta)	الشُّرَيَانُ الحُرْقَفِيُّ
17 iliac artery	الوَرِيدُ الحُرْقَفِيُّ
18 iliac vein	الشُّرَيَانُ الفُخْذِيّ
19 femoral artery	الشُّرَيَانُ الظَّنْبُوْبِيّ
20 tibial artery	الشُّرَيَانُ الكَعْبَرِيّ
21 radial artery	الجهاز العَضْبيّ
22-33 nervous system	المُعْ
22 cerebrum (great brain)	المُخِيعُ
23 cerebellum (little brain)	الشُّخَاعُ الشُّوكِيّ
24 medulla oblongata (brain stem)	الجَنْبُ الشُّوكِيّ
25 spinal cord	الأَعْضَابُ الصِّدْرِيَّةُ
26 thoracic nerves	الصُّفِيْرَةُ العَضْديَّةُ
27 brachial plexus	العَضْبُ الكَعْبَرِيّ
28 radial nerve	العَضْبُ الزَّنْدِيّ
29 ulnar nerve	العَضْبُ الوَرْدِيّ
30 great sciatic nerve (lying posteriorly)	العَضْبُ الفُخْذِيّ
31 femoral nerve (anterior crural nerve)	العَضْبُ الظَّنْبُوْبِيّ
32 tibial nerve	العَضْبُ الشُّطْوِيّ
33 peroneal nerve	الجهاز العَضْليّ
34-64 musculature (muscular system)	
34 sternocleidomastoid muscle (sternomastoid muscle)	العَضْلَةُ القَصِيَّةُ التَّرْقَوِيَّةُ الحَلْمِيَّةُ
35 deltoid muscle	العَضْلَةُ الدَّالِيَّةُ
36 pectoralis major (greater pectoralis muscle, greater pectoralis)	العَضْلَةُ الصِّدْرِيَّةُ الكَبْرَى
37 biceps brachii (biceps of the arm)	العَضْلَةُ ذَاتُ الرَّاسِيْنِ العَضْديَّةُ
38 triceps brachii (triceps of the arm)	العَضْلَةُ ذَاتُ الثَّلَاثَةِ رُؤُوسِ العَضْديَّةُ
39 brachioradialis	العَضْلَةُ العَضْديَّةُ الكَعْبَرِيَّةُ
40 flexor carpi radialis (radial flexor of the wrist)	العَضْلَةُ مَثْبِيَّةُ الرَّسْغِ الكَعْبَرِيَّةُ
41 thenar muscle	العَضْلَةُ الرَّاحِيَّةُ

42 serratus anterior	العَضْلَةُ المَسْتَقَّةُ الأَمَامِيَّةُ
43 obliquus externus abdominis (external oblique)	العَضْلَةُ الخَارِجِيَّةُ المَائِلَةُ
44 rectus abdominis	العَضْلَةُ المَسْتَقِيْمَةُ البَطْنِيَّةُ
45 sartorius	العَضْلَةُ الخِيَاطِيَّةُ
46 vastus lateralis and vastus medialis	العَضْلَةُ المُشْعَمَةُ الوَحْشِيَّةُ
47 tibialis anterior	والعَضْلَةُ المُشْعَمَةُ الإِنْسِيَّةُ
48 tendo calcaneus (Achilles' tendon)	العَضْلَةُ الظَّنْبُوْبِيَّةُ الأَمَامِيَّةُ الوَتْرُ العَقْبِيّ
49 abductor hallucis (abductor of the hallux), a foot muscle	العَضْلَةُ مُبْعِدَةُ إِبْهَامِ القَدَمِ
50 occipitalis	العَضْلَةُ القَذَالِيَّةُ
51 splenius of the neck	العَضْلَةُ الفَلاحيَّةُ العُنُقِيَّةُ
52 trapezius	العَضْلَةُ شَبِيهُ المُنْحَرَفَةِ
53 infraspinatus	العَضْلَةُ تَحْتَ الشُّوكِيَّةُ
54 teres minor (lesser teres)	العَضْلَةُ المَدْوَرَةُ الصِّغْرَى
55 teres major (greater teres)	العَضْلَةُ المَدْوَرَةُ الكَبْرَى
56 extensor carpi radialis longus (long radial extensor of the wrist)	العَضْلَةُ بِاسِطَةُ الرَّسْغِ الكَعْبَرِيَّةُ الطَوِيلَةُ
57 extensor communis digitorum (common extensor of the digits)	العَضْلَةُ البَاسِطَةُ المُوَصَّلَةُ للأَصَابِعِ
58 flexor carpi ulnaris (ulnar flexor of the wrist)	العَضْلَةُ مَثْبِيَّةُ الرَّسْغِ الكَعْبَرِيَّةُ
59 latissimus dorsi	العَضْلَةُ العَرِيضَةُ الظَّهْرِيَّةُ
60 gluteus maximus	العَضْلَةُ الأَلْيُوْبِيَّةُ الكَبْرَى
61 biceps femoris (biceps of the thigh)	العَضْلَةُ ذَاتُ الرَّاسِيْنِ الفُخْذِيَّةُ
62 gastrocnemius, medial and lateral heads	العَضْلَةُ التَّرْأَمِيَّةُ للسَّاقِ
63 extensor communis digitorum (common extensor of the digits)	العَضْلَةُ البَاسِطَةُ المُوَصَّلَةُ لأَصَابِعِ القَدَمِ
64 peroneus longus (long peroneus)	العَضْلَةُ الشُّطْوِيَّةُ الطَوِيلَةُ

19 Man IV	الإنسان (4)
1-13 head and neck	الرأس والعنق
1 sternocleidomastoid muscle (sternomastoid muscle)	العَضْلَةُ القَصِيَّةُ التَّرْقَوِيَّةُ الحَلْمِيَّةُ
2 occipitalis	العَضْلَةُ القَذَالِيَّةُ
3 temporalis (temporal, temporal muscle)	العَضْلَةُ الصِّدْرِيَّةُ
4 occipito frontalis (frontalis)	العَضْلَةُ ذَاتُ الثَّلَاثَةِ رُؤُوسِ العَضْديَّةُ
5 orbicularis oculi	العَضْلَةُ الأُورِيَّةُ العَيْنِيَّةُ
6 muscles of facial expression	عَضَلَاتُ الوُجْهِ
7 masseter	العَضْلَةُ المَاضِغَةُ
8 orbicularis oris	العَضْلَةُ الدَّوْبَرِيَّةُ الفُجْوِيَّةُ
9 parotid gland	العُدَّةُ الكَنْفِيَّةُ

10 lymph node (sub-mandibular lymph gland)	العُدَّةُ اللِّمْفِيَّةُ
11 submandibular gland (submandillary gland)	العُدَّةُ تَحْتَ الفَكِّيَّةُ السُّفْلِيَّةُ
12 muscles of the neck	عَضَلَاتُ الرِّقَبَةِ
13 Adam's apple (laryngeal prominence) [in men only]	تَفَاحَةُ أَدَمَ [فِي الرِّجَالِ فَقَطْ]
14-37 mouth and pharynx	الفَمُّ والرُّوْرُ
14 upper lip	الشُّفَّةُ العُلْيَا
15 gum	اللَّثَةُ
16-18 teeth (set of teeth)	الأَسْنَانُ
16 incisors	القَوَاطِعُ
17 canine tooth (canine)	نَابٌ
18 premolar (bicuspid) and molar teeth (pre-molars and molars)	الطَوَاحِينُ وَالمُوَاجِكُ
19 angle of the mouth (labial commissure)	زَاوِيَةُ الفَمِ
20 hard palate	الخَتَكُ الصَّلْبُ
21 soft palate (velum palati, velum)	الخَتَكُ الرِّخْوُ
22 uvula	عَضْلَةُ اللِّهَاءِ
23 palatine tonsil (tonsil)	لُؤْزَةٌ
24 pharyngeal opening (pharynx)	فَتْحَةُ البَلْعُومِ
25 tongue	اللِّسَانُ
26 lower lip	الشُّفَّةُ السُّفْلَى
27 upper jaw (maxilla)	الفَكُّ العُلْوِيّ
28-37 tooth	سَنْ
28 periodontal membrane (periodontium, pericementum)	العِشَاءُ حَوْلَ السَّنِيّ
29 cement (dental cementum, crusta petrosa)	المَلَاطُ
30 enamel	المِيْنَا
31 dentine (dentin)	العَاجُ
32 dental pulp (tooth pulp, pulp)	اللَّبُّ السَّنِيّ
33 nerves and blood vessels	الأَعْضَابُ والأَوْعِيَّةُ الدَّمَوِيَّةُ
34 incisor	قَاطِعٌ
35 molar tooth (molar)	خَبْرَسٌ، طَاحِنٌ
36 root (fang)	جَذْرٌ، جَذْمُورٌ
37 crown	تَاجٌ
38-51 eye	العَيْنُ
38 eyebrow (supercilium)	حَاجِبٌ
39 upper eyelid (upper palpebra)	جَفْفِنٌ عُلْوِيّ
40 lower eyelid (lower palpebra)	جَفْفِنٌ سُّفْلِيّ
41 eyelash (cilium)	رَمْشٌ، هَذَبٌ
42 iris	القَرْنِيَّةُ
43 pupil	الْحَدَقَةُ
44 eye muscles (ocular muscles)	عَضَلَاتُ العَيْنِ
45 eyeball	العُقْلَةُ

46 vitreous body	الجِسْمُ الزُّجَاجِيّ
47 cornea	القَرْنِيَّةُ
48 lens	العَدْسَةُ
49 retina	الشَّبَكِيَّةُ
50 blind spot	البِقْعَةُ العَمْيَاءُ
51 optic nerve	عَضْبٌ بَصْرِيّ
52-63 foot	القَدَمُ
52 big toe (great toe, first toe, hallux, digitus I)	إِبْهَامُ القَدَمِ
53 second toe (digitus II)	الإصْبَعُ الثَّانِيّ
54 third toe (digitus III)	الإصْبَعُ الثَّلَاثُ
55 fourth toe (digitus IV)	الإصْبَعُ الرَّابِعُ
56 little toe (digitus minimus, digitus V)	الإصْبَعُ الصَّغِيرُ
57 toenail	ظَفْرُ إصْبَعِ القَدَمِ
58 ball of the foot	الضَّرْبَةُ
59 lateral malleolus (external malleolus, outer malleolus, malleolus fibulae)	النَّوَاءُ الكَعْبِيّ الوَحْشِيّ
60 medial malleolus (internal malleolus, inner malleolus, malleolus tibulae, malleolus medialis)	النَّوَاءُ الكَعْبِيّ الوَحْشِيّ الأَدْسِيّ
61 instep (medial longitudinal arch, dorsum of the foot, dorsum pedis)	وَجْهُ القَدَمِ
62 sole of the foot	إِخْمَصُ القَدَمِ
63 heel	عَقِبٌ، كَعْبٌ
64-83 hand	الْيَدُ
64 thumb (pollex, digitus I)	الإِبْهَامُ
65 index finger (fore-finger, second finger, digitus II)	السَّبَابِيَّةُ
66 middle finger (third finger, digitus medius, digitus III)	الْوَسْطَى
67 ring finger (fourth finger, digitus anularis, digitus IV)	الْبَيْضَرُ
68 little finger (fifth finger, digitus minimus, digitus V)	الْخَنْصَرُ
69 radial side of the hand	الجَانِبُ الكَعْبَرِيّ لليدِ
70 ulnar side of the hand	الجَانِبُ الزَّنْدِيّ لليدِ
71 palm of the hand (palma manus)	رَاحَةُ اليَدِ
72-74 lines of the hand	خَطوطُ الكَفِّ
72 life line (line of life)	خَطُّ العُمُرِ
73 head line (line of the head)	خَطُّ الرَّأْسِ
74 heart line (line of the heart)	خَطُّ القَلْبِ
75 ball of the thumb (thenar eminence)	كُوَّةُ اليَدِ
76 wrist (carpus)	رَسْغٌ
77 phalanx (phalange)	سَلَامِيَّاتٌ
78 finger pad	لِيَّةُ الأَصَابِعِ

الجيرة
ضمادة ضغط
إنقاذ ونقل الشخص المصاب
سكّة "أوتيك" (إنقاذ ضحية في حادث سيارة)
مساعد
شخص مصاب
سكّة المقعد
سكّة الخمل
نقالة طوارئ مصنوعة من عصى وسكّة
الوضع الصحيح للشخص فاقد الوعي والتنفس الصناعي (إنعاش القلب والرئتين)
وضع الغيبوبة
شخص فاقد الوعي
إنعاش القلب والرئتين عن طريق الفم (قبلة الحياة)
جهاز إنعاش القلب والرئتين، جهاز تنفس صناعي
طريقة الإنقاذ في حوادث الجليد
الشخص الذي سقط في انهيار الجليد
المنقذ
حبل
طاولة (أو ما شابه ذلك)
سلم
إنقاذ ذاتي
إنقاذ غريق
طريقة تحرّر المنقذ من الغريق
الغريق
المنقذ
القطر
سكّة القطر المزدوجة من الكتفين
سكّة القطر من الرأس

screw
17 compression bandage
18-23 rescue and transport of an injured person
18 Rautek grip (for rescue of a car accident victim)
19 helper
20 injured person (casualty)
21 chair grip
22 carrying grip
23 emergency stretcher of sticks and a jacket
24-27 positioning of an unconscious person and artificial respiration (resuscitation)
24 coma position
25 unconscious person
26 mouth-to-mouth resuscitation (variation: mouth-to-nose resuscitation)
27 resuscitator (respiratory apparatus, resuscitation apparatus), a respirator (artificial breathing device)
28-33 methods of rescue in ice accidents
28 person who has fallen through the ice
29 rescuer
30 rope
31 table (or similar device)
32 ladder
33 self-rescue
34-38 rescue of a drowning person
34 method of release (release grip, release) to free rescuer from the clutch of a drowning person
35 drowning person
36 lifesaver
37, 38 towing (tows)
37 double shoulder tow
38 head tow
22 Doctor I
1-74 general practice (Am. physician's office)
1 waiting room
2 patient

الصفن
الحصىة اليمنى
البرنج
القناة المتوية
غدة كوبر
البروستاتا
الحوصلات المتوية
الثانة
الأعضاء التناسلية
للأثني [مقطع طولي]
الرحم
تجويف الرحم
قناة فالوب
هدب
مبيض
جريب وبه بيضة (بويضة)
فومة عنق الرحم الظاهرة
المهبل
شفة الفرج
البلخر
الإسعافات الأولية
عصابات الطوارئ
عصابة الذراع
علاقة الذراع (قطعة قماش مثقبة تستخدم كعلاقة للذراع)
ضمادة رأس
حقيبة الإسعافات الأولية
ضمادات الإسعافات الأولية
ضمادات شاش معقمة
بلاستر، شريط لاصق
جرح
ضمادة، رباط، عصابة
جبيرة طوارئ لظرف مكسور
ساق مكسورة
جبيرة
مسدّد للرأس
إجراءات وقف النزيف الدموي (ربط وعاء دموي)
نقاط الضغط على الشرايين لإيقاف تدفق الدم
عاصبة طوارئ لإيقاف النزيف في إصابات الفخذ
عصا تستخدم في إحكام

71 scrotum
72 right testicle (testis)
73 epididymis
74 spermatic duct (vas deferens)
75 Cowper's gland (bulbourethral gland)
76 prostate (prostate gland)
77 seminal vesicle
78 bladder
79-88 female sex organs [longitudinal section]
79 uterus (matrix, womb)
80 cavity of the uterus
81 fallopian tube (uterine tube, oviduct)
82 fimbria (fimbriated extremity)
83 ovary
84 follicle with ovum (egg)
85 os uteri externum
86 vagina
87 lip of the pudendum (lip of the vulva)
88 clitoris
21 First Aid
1-13 emergency bandages
1 arm bandage
2 triangular cloth used as a sling (an arm sling)
3 head bandage (cape-line)
4 first aid kit
5 first aid dressing
6 sterile gauze dressing
7 adhesive plaster (sticking plaster)
8 wound
9 bandage
10 emergency splint for a broken limb (fractured limb)
11 fractured leg (broken leg)
12 splint
13 headrest
14-17 measures for stanching the blood flow (tying up (ligature) of a blood vessel)
14 pressure points of the arteries
15 emergency tourniquet on the thigh
16 walking stick used as a

الكبد [من الخلف]
الرباط المنجلي للكبد
فص الكبد
الحوصلة الصفراوية
القناة الصفراوية
القناة الكبدية
القناة الحوصلية
الوريد (الكبدية) البابي
المرئي
المعدة
فتحة الفؤاد
البواب
الإثنا عشري
المكيزياس
القلب (مقطع طولي)
أذين القلب
صمامات القلب
الصمام ثلاثي الشرف
الصمام ثنائي الشرف (الميتراي)
شرفة
صمام الأبهر
صمام رئوي
بطين
حاجز بطيني
الوريد الأجوّف العلوي
الأبهر، الأورطي
الشريان الرئوي
وريد رئوي
الوريد الأجوّف السفلي
البريتون، الغشاء البريتوني
العجز
المصنصص
المستقيم
الشرج
العضلة المصرة الشرجية
العجان
الارتفاق العاني
الأعضاء التناسلية للذكور [مقطع طولي]
ترابيق الأجسام الكهفية
والإسفنجية للخصيب
المبنا
حشفة القضيب
القلقة

34-35 liver [from behind]
34 falciform ligament of the liver
35 lobe of the liver
36 gall bladder
37-38 common bile duct
37 hepatic duct (common hepatic duct)
38 cystic duct
39 portal vein (hepatic portal vein)
40 oesophagus (oesophagus, gullet)
41-42 stomach
41 cardiac orifice
42 pylorus
43 duodenum
44 pancreas
45-57 heart (longitudinal section)
45 atrium
46-47 valves of the heart
46 tricuspid valve (right atrioventricular valve)
47 bicuspid valve (mitral valve, left atrioventricular valve)
48 cusp
49 aortic valve
50 pulmonary valve
51 ventricle
52 ventricular septum (interventricular septum)
53 superior vena cava
54 aorta
55 pulmonary artery
56 pulmonary vein
57 inferior vena cava
58 peritoneum
59 sacrum
60 coccyx (coccygeal vertebra)
61 rectum
62 anus
63 anal sphincter
64 perineum
65 pubic symphysis (symphysis pubis)
66-77 male sex organ [longitudinal section]
66 penis
67 corpus cavernosum and spongiosum of the penis (erectile tissue of the penis)
68 urethra
69 glans penis
70 prepuce (foreskin)

طرف الإصبع
ظفر الإصبع
هيكّل الظفر
عقطة
ظهر اليد
الإنسان (5)
الأعضاء الداخلية [منظر أمامي]
الغدة الدرقيّة
الحنجرة
العظم اللامي
غضروف درقي
القنصة الهوائية
شعبة هوائية
الرئة اليمنى
الفص الصدري/الرئوي العلوي [مقطع]
القلب
الحجاب الحاجز
الكبد
الحوصلة الصفراوية
الطحال
المعدة
الإمعاء
الأمعاء الرفيعة
الإثنا عشري
الصائم
الفانفي
الأمعاء الغليظة
الأغور
الزائدة الدودية
القولون الصاعد
القولون المستعرض
القولون النازل
المستقيم
المرئي
القلب
صويان
ثم أمامي طولي
الحجاب الحاجز
الطحال
الكبد اليمنى
الغدة فوق الكظرية
الكلية اليسرى [مقطع طولي]
كأس
حوض الكليتين
حالب
المثانة

79 fingertip
80 fingernail (nail)
81 lunule (lunula) of the nail
82 knuckle
83 back of the hand (dorsum of the hand, dorsum manus)
20 Man V
1-57 internal organs [front view]
1 thyroid gland
2-3 larynx
2 hyoid bone (hyoid)
3 thyroid cartilage
4 trachea (windpipe)
5 bronchus
6 right lung
7 upper pulmonary lobe (upper lobe of the lung) [section]
8 heart
9 diaphragm
10 liver
11 gall bladder
12 spleen
13 stomach
14-22 intestines (bowel)
14-16 small intestine (intestinum tenue)
14 duodenum
15 jejunum
16 ileum
17-22 large intestine (intestinum crassum)
17 caecum (cecum)
18 appendix (vermiform appendix)
19 ascending colon
20 transverse colon
21 descending colon
22 rectum
23 oesophagus (oesophagus, gullet)
24, 25 heart
24 auricle
25 anterior longitudinal cardiac sulcus
26 diaphragm
27 spleen
28 right kidney
29 suprarenal gland
30-31 left kidney [longitudinal section]
30 calyx (renal calyx)
31 renal pelvis
32 ureter
33 bladder

3 patients with appointments (for a routine check-up or renewal of prescription) مَرْضَى بِمَوَاعِدِ مُسَبِّقَةٍ (لِفَحْصِ دَوْرِيٍّ أَوْ اسْتِثْنَاءَةٍ)

4 magazines [for waiting patients] مَجَلَّات

5 reception الاستِقْبَال

6 patients file مَلَفُ الْمَرْضَى

7 eliminated index cards بطاقت مَهْفُوسَةٌ مَطْرُوحَةٌ جَانِبًا

8 medical record (medical card) سِجِلٌ طِبِّيٌّ

9 health insurance certificate شَهَادَةٌ تَأْمِينِ صِحِّيِّ

10 advertising calendar (publicity calendar) رُوزْنَامَةٌ تِجَارِيَّةٌ لِلدَّعَايَةِ

11 appointments book دَفْتَرُ حِجْرِ الْمَوَاعِدِ

12 correspondence file مَلَفُ الْمُرَاسَلَاتِ

13 automatic telephone answering and recording set (telephone answering device) جِهَازٌ لِلرَّدِّ عَلَى الْمَكَالِمَاتِ الْهَاتِفِيَّةِ وَتَسْجِيلِهَا أَيْضًا

14 radiophone سَمَاعَةٌ دَاخِلِيَّةٌ

15 microphone مَكْبَرُ الصَّوْتِ

16 illustrated chart رَسْمٌ تَطْبِيعِيٌّ مَصُورٌ

17 wall calendar رُوزْنَامَةٌ حَائِطٌ

18 telephone هَاتِفٌ ، تِلِفُونٌ

19 [doctor's] assistant مَسَاعِدٌ/مَسَاعِدَةٌ [الطَّبِيبِ]

20 prescription رُوشَنَةٌ ، ذِكْرَةٌ طِبِّيَّةٌ

21 telephone index فِهْرَسُ التِّلِفُونِ

22 medical dictionary قَامُوسٌ طِبِّيٌّ

23 pharmacopoeia (list of registered medicines) قَائِمَةٌ الْعُقَاقِيرِ وَالْأَدْوِيَّةِ الْمُسَجَّلَةِ

24 franking machine (*Am.* postage meter) مَآكِينَةٌ دَمَعُ الرِّسَالِ

25 stapler دِبَّاسَةٌ

26 diabetics file مَلَفُ السُّكْرِيِّ

27 dictating machine المَمْلَأَةُ

28 paper punch خَرَامَةٌ وَرَقٌ

29 doctor's stamp خَاتَمُ الطَّبِيبِ

30 ink pad حَبَاةُ الْخَاتَمِ

31 pencil holder حَامِلُ أَقْلَامٍ

32-74 surgery الجِرَاحَةُ

32 chart of eyegrounds رَسْمٌ تَطْبِيعِيٌّ لِقَاعِ الْعَيْنِ

33 doctor's bag (doctor's case) حَقِيْبَةُ الطَّبِيبِ

34 intercom جِهَازٌ اتِّصَالٍ دَاخِلِيٍّ (الْتَرَكُومِ)

35 medicine cupboard صِنْدِيْقَةٌ مَنزِلِيَّةٌ

36 swab dispenser وِعَاءٌ رَمِيٍّ الْقَطِيْلَةِ

37 inflator (Poltizer bag) حَقِيْبَةُ الْبَلُوْرَةِ

38 electrotome مَقْلَعٌ كَهْرِبَايِيٌّ

39 steam sterilizer جِهَازٌ تَعْقِيمٍ بِالْبَخَارِ

40 cabinet خِرَازِنَةٌ ، صَوَانٌ

41 medicine samples (from the pharmaceutical industry) مِيزَانُ أَطْفَالٍ رُضَعٍ

42 baby scales مِيزَانُ أَطْفَالٍ رُضَعٍ

43 examination couch سُرِيرُ الْفَحْصِ

44 directional lamp مَصْبَاحٌ مَتَحَرِّكٌ

45 instrument table طَاوِلَةُ الْأَدْوَاتِ

46 tube holder حَامِلُ أَنْبَابِيبِ

47 tube of ointment أَنْبُوبٌ مَرْفَمٌ

48-50 instruments for minor surgery أَدْوَاتُ الْجِرَاحَةِ الْبَسِيْطَةِ

48 mouth gag أَدَاةُ فَتْحِ الْفَمِ

49 Kocher's forceps جِفْتٌ "كُوتشِرٌ"

50 scoop (urette) مِجْرَفَةٌ

51 angled scissors مَقْصٌّ طَرَفُهُ مَائِلٌ بِزَاوِيَةٍ

52 forceps جِفْتٌ ، مَلْقَاطٌ

53 olive-pointed (bulb-headed) probe مِجْسٌ ذُو رَأْسٍ مَتَفَتِّحٍ

54 syringe for irrigations of the ear or bladder مِخْفَنٌ تَغْسِيلِ الْأُذُنِ أَوْ الْمَثَانَةِ

55 adhesive plaster شَرِيْبَةٌ لاصِقٌ ، بِلَاسْتَرْ

56 surgical suture material خَيْطٌ جِرَاحَةٌ

57 curved surgical needle إِبْرَةٌ طِبِّيَّةٌ مَنْحَنِيَّةٌ

58 sterile gauze شَائِشٌ مَعْقَمٌ

59 needle holder حَامِلُ الْإِبْرِ

60 spray for disinfecting the skin رَشَاشٌ لِتَطْهِيْرِ الْجِلْدِ

61 thread container حَاقِيَّةُ الْخَيْطِ

62 ophthalmoscope مِظْطَارُ الْكَشْفِ عَلَى الْعَيْنِ

63 freezer for cryosurgery فِرِيْزِرٌ لِجِرَاحَاتِ الْقَرْيَةِ

64 dispenser for plasters and small pieces of equipment سَلَّةٌ مَهْمَلَاتٌ لِلْأَشْرَطَةِ وَالصَّغِيْرَةِ

65 disposable hypodermic needles and syringes سَلَّةٌ مَهْمَلَاتٌ لِلْحَقْنِ وَالْإِبْرِ تَحْتَ الطَّبِيبِيَّةِ

66 scales, sliding-weight scales مِيزَانٌ (مِيزَانٌ ذُو ثِقَلٍ مَزْدَلِيٍّ)

67 weighing platform مَنضَةٌ الْوِزْنِ

68 sliding weight (jockey) ثِقَلٌ انزلاقي/مَتَحَرِّكٌ

69 height gauge (*Am.* gage) مِقْيَاسُ الطُّوْلِ

70 waste bin (*Am.* trash bin) سَلَّةٌ مَهْمَلَاتٍ

71 hot-air sterilizer جِهَازٌ تَعْقِيمٍ بِالْهَوَاءِ السَّخِنِ

72 pipette مَمْصٌ

73 percussor مَطْرَقَةٌ

74 aural speculum مِظْطَارٌ جَوْفِيٌّ لِلْأُذُنِ (مِظْطَارُ الْأُذُنِ ، مِخْفَنُ الْأُذُنِ)

23 Doctor II (2) الطَّبِيبِ (2)

1 consulting room غُرْفَةُ الْفَحْصِ

2 general practitioner مُتَمَرِّسٌ عَامٌ

3-21 instruments for gynaecological and proctological examinations أَنْوَاتُ فَحْصِ امْرَأَتِ الشَّيْءِ وَالْمُسْتَقِيمِ

3 warming the instruments up to body temperature تَدْفِئَةُ الْأَدْوَاتِ إِلَى دَرَجَةِ حَرَارَةِ الْجِسْمِ

4 examination couch سُرِيرُ الْفَحْصِ

5 colposcope مِظْطَارُ الْمَهْبَلِ

6 binocular eyepiece عَيْنِيَّةُ الْمِظْطَارِ

7 miniature camera كَامِيرَا صَغِيرَةٌ

8 cold light source مَصْدَرُ ضَوْءٍ بَارِدٍ

9 cable release زَرٌّ تَحْرِيرِ الْكَبْلِ

10 bracket for the leg كَتِيفَةٌ تَثْبِيتِ السَّاقَيْنِ

11 leg support (leg holder) حَامِلُ السَّاقِ

12 holding forceps (sponge holder) جِفْتٌ لِمَسَاكِ الْإِسْفِنْجِ

13 vaginal speculum مِظْطَارٌ جَوْفِيٌّ مَهْبَلِيٌّ

14 lower blade of the vaginal speculum الْوَلُوحُ السُّفْلِيُّ لِلْمِظْطَارِ الْجَوْفِيِّ الْمَهْبَلِيِّ

15 platinum loop (for smears) لُؤْلُبٌ بِلَاتِيْنِيٌّ

16 rectoscope مِظْطَارُ الْمُسْتَقِيمِ

17 biopsy forceps used with the rectoscope (proctoscope) جِفْتٌ اخْذُ الْعَيَّةِ الْمُسْتَحْدَمِ مَعَ مِظْطَارِ الْمُسْتَقِيمِ

18 insufflator for proctoscopy (rectoscopy) مِغْفَاحٌ تَنْظِيْرُ الْمُسْتَقِيمِ

19 proctoscopy (rectal speculum) مِظْطَارٌ جَوْفِيٌّ لِلْمُسْتَقِيمِ

20 urethroscope مِظْطَارُ الْإِحْلِيلِ

21 guide for inserting the proctoscope دَائِلٌ لِإِدْخَالِ الْمِظْطَارِ الْجَوْفِيِّ لِلْمُسْتَقِيمِ

22 diathermy unit (short-wave therapy apparatus) وَحْدَةٌ إِثْبَاقِ الْحَرَارَةِ

23 radiator جِهَازُ الْإِشْغَاعِ

24 inhaling apparatus (inhalator) جِهَازُ الْاسْتِثْنَاقِ

25 basin (for sputum) حَوْضٌ (لِلصَّاقِ)

26-31 ergometry الْقِيَاسَاتُ

26 bicycle ergometer عَجَلَةٌ لِقِيَاسِ الْبَيْضِ وَالتَّنْفُسِ وَرَسْمِ الْقَلْبِ شَاشَةٌ لِلعَرْضِ الْبَصْرِيِّ لِرَسْمِ الْقَلْبِ الْكَهْرِبَايِيِّ وَمَعْدَلِ التَّنْفُسِ وَالتَّنْفَسِ عِنْدَ الْقِيَامِ بِمَجْهُودٍ

27 monitor (for visual display of the ECG and of pulse and respiratory rates when performing work) شَاشَةٌ لِلعَرْضِ الْبَصْرِيِّ لِرَسْمِ الْقَلْبِ الْكَهْرِبَايِيِّ وَمَعْدَلِ التَّنْفُسِ وَالتَّنْفَسِ عِنْدَ الْقِيَامِ بِمَجْهُودٍ

28 ECG (electrocardiograph) رَسَامُ الْقَلْبِ الْكَهْرِبَايِيِّ

29 suction electrodes الكَتْرُودَاتُ مَاصَةٌ

30 strap-on electrodes for the limbs الكَتْرُودَاتُ شَرِيْبِيَّةٌ لِلْأَطْرَافِ

31 spirometer (for measuring respiratory functions) مِقْيَاسُ النَّفْسِ

32 measuring blood pressure قِيَاسُ ضَمْطِ الدَّمِ

33 sphygmomanometer جِهَازٌ قِيَاسِ ضَمْطِ الدَّمِ

34 inflatable cuff كَفَّةٌ تَقَاعْخِيَّةٌ

35 stethoscope سَمَاعَةٌ طِبِّيَّةٌ

36 microwave treatment unit وَحْدَةٌ مَعَالَجَةٍ بِالْمِيكْرُووَيْفِ

37 faradization unit (for applying low-frequency currents with different pulse shapes) وَحْدَةٌ الْمَعَالَجَةِ الْفَارَادِيَّةِ

38 automatic tuner زَرٌّ الضَّبْطِ الدَّقِيقِ أَيْضًا

39 short-wave therapy apparatus جِهَازُ الْعِلَاجِ بِالْمَوْجَاتِ الْقَصِيْرَةِ

40 timer جِهَازٌ تَوَقِيتِ

41-59 laboratory المَعْمَلُ الْمَخْتَبِرُ

41 medical laboratory فَنَى الْمَعْمَلِ الطَّبِيبِيِّ

42 capillary tube stand for blood sedimentation حَامِلُ أَنْبَابِيبِ شَعْرِيَّةٍ لِتَرْسِيبِ الدَّمِ

43 measuring cylinder أَسْطُوَانَةٌ قِيَاسِ

44 automatic pipette جِهَازٌ شَفْطِ أَلْيٍ

45 kidney dish طَبَقٌ مَعْمَلٌ

46 portable ECG machine for emergency use رَسَامُ قَلْبٍ كَهْرِبَايِيٍّ نَقَالِيٍّ لِلِاسْتِخْدَامِ فِي الطَّوَارِيءِ

47 automatic pipetting device جِهَازُ الشَّفْطِ الْأَلْيِّ

48 constant temperature water bath حَمَّامٌ مَاءٍ ثَابِتِ الْحَرَارَةِ

49 tap with water jet حَنْفِيَّةٌ/صَنْبُورٌ ذُو مِضْخَةٍ نَفَاقَةٌ

50 staining dish (for staining blood smears, sediments, and other smears) طَبَقٌ تَلْوِينِ ، طَبَقٌ صَنِيعٌ

51 binocular research microscope مِيكْرُوسِكُوبٌ فَحْصٌ ذُو عَيْنَيْتَيْنِ

52 pipette stand for photometry حَامِلُ مِصْصَاتٍ لِلْقِيَاسِ الضَّوْئِيِّ

53 computer and analyser for photometry حَاسِبٌ أَلْيٍّ وَجِهَازٌ تَحْلِيلِ الْقِيَاسِ الضَّوْئِيِّ

54 photometer جِهَازُ الْقِيَاسِ الضَّوْئِيِّ

55 potentiometric recorder مَسْجِلٌ قِيَاسِ فَرْقِ الْجَهْدِ قِسْمِ التَّحْوِيلِ

56 transforming section مَدَدَاتٌ مَعْمَلِيَّةٌ

57 laboratory apparatus (laboratory equipment) رَسْمٌ تَطْبِيعِيٌّ لِتَرْسِيبِ الْبُولِ

58 urine sediment chart مِمْحَضَةٌ ، فَرَاةٌ بِالطُّلُودِ الْمَرْكَزِيِّ

59 centrifuge

24 Dentist طَبِيبُ الْأَسْنَانِ

1 dentist (dental surgeon) طَبِيبُ الْأَسْنَانِ (جِرَاحُ الْأَسْنَانِ)

2 patient مَوْضِعٌ

3 dentist's chair مَقْعِدُ طَبِيبِ الْأَسْنَانِ

4 dental instruments أَدْوَاتُ طَبِيبِ الْأَسْنَانِ

5 instrument tray صِنِيَّةٌ أَدْوَاتٍ

6 drills with different handpieces مَتَاقِبٌ/مَتَاقِفٌ ذَاتُ مَقَابِضٍ مَخْتَلِفَةٍ

7 medicine case حَقِيْبَةُ طِبِّيَّةٌ

8 storage unit (for dental instruments) وَحْدَةٌ تَخْزِينِ أَدْوَاتِ طَبِيبِ الْأَسْنَانِ

9 assistant's unit وَحْدَةُ الْمَسَاعِدِ/الْمُسَاعِدَةِ

10 multi-purpose syringe (for cold and warm water, spray, or air) مِخْفَنٌ مَتَعَدِّدُ الْأَغْرَاضِ

11 suction apparatus جِهَازٌ مَاصٌ

12 basin حَوْضٌ

13 water glass, filled automatically كُوبٌ مَاءٍ يَمْلَأُ أَيْضًا

14 stool مَقْعِدٌ صَغِيرٌ

1 anaesthesia and breathing apparatus (respiratory machine)	جهاز التخدير والتنفس
2 inhalers (inhaling tubes)	خرائط الاستنشاق
3 flowmeter for nitrous oxide	مقياس تدفق أكسيد النيتروجين
4 oxygen flow meter	مقياس تدفق الأوكسجين
5 pedestal operating table	سُرير عمليات يتم خفضه ورفعُه ببدالة سفلية
6 table pedestal	بدالة السُرير
7 control device (control unit)	وحدة التحكم
8 adjustable top of the operating table	سطح سُرير العمليات القابل للتعديل
9 stand for intravenous drips	حامل المحاليل الوريدية
10 swivel-mounted shadow-free operating lamp	نظام إنارة للعمليات الجراحية عديم الظلال مُعلّق على محور دوار
11 individual lamp	مصباح مفرد
12 handle	ذراع ، مقبض
13 swivel arm	ذراع تدوير / دوار
14 mobile fluoroscope	منظار فلورية نقالي
15 monitor of the image converter	شاشة عرض صورة الصورة
16 monitor [back]	شاشة عرض (من الخلف)
17 tube	خُرطوم ، أنبوب
18 image converter	محول الصورة
19 C-shaped frame	إطار قوسيّ
20 control panel for the air-conditioning	وحدة التحكم في مكيف الهواء
21 surgical suture material	خيط جراحة
22 mobile waste tray	سلة مهملات متحركة
23 containers for unsterile (unsterilized) pads	حاوية للحثبات غير المعقمة
24 anaesthesia and respiratory apparatus	جهاز التخدير والتنفس
25 respirator	جهاز تنفس صناعي
26 fluothane container (halothane container)	أسطوانة الهالوثان
27 ventilation control knob	مقبض التحكم في التهوية
28 indicator with pointer for respiratory volume	شاشة ومؤشر حجم التنفس
29 stand with inhalers (inhaling tubes) and pressure gauges (Am. gages)	حامل مقاييس خراطيم الاستنشاق والضغط
30 catheter holder	حامل القنطرة
31 catheter in sterile packing	قنطرة في غلاف معقم
32 sphygmograph	مخطّط النبض
33 monitor	شاشة عرض
34-54 preparation and sterilization room	غرفة الإعداد والتعقيم
34 dressing material	ضمادات
35 small sterilizer	جهاز تعقيم صغير
36 carriage of the	عربة سُرير العمليات

32 mercury battery	بطارية زئبقية
33 programmed impulse generator	مولّد نبضات ميّزَج
34 electrode exit point	موضع خروج كيبيل الكترولود
35 electrode	الكترولود
36 implantation of the pacemaker	زرع منظم ضربات القلب
37 internal cardiac pacemaker (internal pacemaker, pacemaker)	منظم ضربات قلب داخلي
38 electrode inserted through the vein	الكترولود داخل الوريد
39 cardiac silhouette on the X-ray	صورة القلب على فيلم الأشعة السينية
40 pacemaker control unit	وحدة التحكم في منظم ضربات القلب
41 electrocardiograph (ECG recorder)	رَسام قلب كهربائي
42 automatic impulse meter	مقياس نبض آلي
43 ECG lead to the patient	كيبيل توصيل رَسام القلب الكهربائي بالمرضى
44 monitor unit for visual monitoring of the pacemaker impulses	وحدة الشاشة الخاصة بالمراقبة البصرية لنبضات منظم ضربات القلب
45 long-term ECG analyser	مُحلّل رَسَم القلب الكهربائي الممتد
46 magnetic tape for recording the ECG impulses during analysis	شريط مغناطيسي لتسجيل نبضات رَسام القلب أثناء التحليل
47 ECG monitor	شاشة رَسام القلب الكهربائي
48 automatic analysis on paper of the ECG rhythm	تحليل آلي على الورق لنظم رَسام القلب الكهربائي
49 control knob for the ECG amplitude	ذراع التحكم في سعة رَسام القلب الكهربائي
50 program selector switches for the ECG analysis	مفاتيح اختيار برامج تكبير رَسام القلب الكهربائي
51 charger for the pacemaker batteries	جهاز شحن بطاريات منظم ضربات القلب
52 battery tester	جهاز اختبار البطاريات
53 pressure gauge (Am. gage) for the right cardiac catheter	مقياس الضغط الخاص بقنطرة القلب
54 trace monitor	شاشة المتابعة
55 pressure indicator	مؤشر الضغط
56 connecting lead to the paper recorder	كيبيل توصيل إلى جهاز التسجيل على الورق
57 paper recorder for pressure traces	جهاز التسجيل على الورق الخاص بتتبع الضغط

26 Hospital II	المستشفى (2)
1-54 surgical unit	وحدة الجراحة
1-33 operating theatre (Am. theater)	غرفة العمليات

غرفة التحكم	وحدة التحكم المركزية لتنظيم ضربات القلب وضغط الدم
وحدة التحكم المركزية	شاشة رَسام القلب الكهربائي
منسجل	ورق تسجيل
بطاقة مريض	بطاقة مريض
أضواء إرشادية لاستدعاء المرضى	ملوِّقة (أداة المرّج البودرة والمحاليل)
نافذة زجاجية للملاحظة	سنانة حاجية للضوء
سرير مستشفى	سرير مستشفى
حامل جهاز المحاليل	حامل جهاز المحاليل
ذراع/قنينة محاليل	ذراع/قنينة محاليل
خراطيم تقطيط المحاليل الوريدية	خراطيم تقطيط المحاليل الوريدية
جهاز محاليل الأدوية	جهاز محاليل الأدوية
القابلة للذوبان في الماء	القابلة للذوبان في الماء
جهاز قياس ضغط الدم	جهاز قياس ضغط الدم
كفة	كفة
مفتاح كفة جهاز الضغط	مفتاح كفة جهاز الضغط
مانومتر زئبقي	مانومتر زئبقي
شاشة سرير المستشفى	شاشة سرير المستشفى
كيبيل التوصيل بوحدة التحكم المركزية	كيبيل التوصيل بوحدة التحكم المركزية
شاشة رَسام القلب الكهربائي	شاشة رَسام القلب الكهربائي
مقياس إمداد الأوكسجين	مقياس إمداد الأوكسجين
وصلة في الحائط لتصديد جهاز الأوكسجين	وصلة في الحائط لتصديد جهاز الأوكسجين
وحدة شاشة عرض متنقلة	وحدة شاشة عرض متنقلة
كيبيل توصيل الكترولود	كيبيل توصيل الكترولود
بمنظم ضربات القلب قصير الأجل	بمنظم ضربات القلب قصير الأجل
الكترولودات للمعالجة الصدمية	الكترولودات للمعالجة الصدمية
وحدة تسجيل رَسام القلب الكهربائي	وحدة تسجيل رَسام القلب الكهربائي
شاشة رَسام القلب الكهربائي	شاشة رَسام القلب الكهربائي
مفاتيح التحكم لضبط وتعديل الشاشة	مفاتيح التحكم لضبط وتعديل الشاشة
مفاتيح التحكم في وحدة منظم ضربات القلب	مفاتيح التحكم في وحدة منظم ضربات القلب
منظم ضربات القلب	منظم ضربات القلب

1-9 control room	غرفة التحكم
1 central control unit for monitoring heart rhythm (cardiac rhythm) and blood pressure	وحدة التحكم المركزية لتنظيم ضربات القلب وضغط الدم
2 electrocardiogram monitor (ECG monitor)	شاشة رَسام القلب الكهربائي
3 recorder	منسجل
4 recording paper	ورق تسجيل
5 patient's card	بطاقة مريض
6 indicator lights (with call buttons for each patient)	أضواء إرشادية لاستدعاء المرضى
7 spatula	ملوِّقة (أداة المرّج البودرة والمحاليل)
8 window (observation window, glass partition)	نافذة زجاجية للملاحظة
9 blind	سنانة حاجية للضوء
10 bed (hospital bed)	سرير مستشفى
11 stand for infusion apparatus	حامل جهاز المحاليل
12 infusion bottle	ذراع/قنينة محاليل
13 tube for intravenous drips	خراطيم تقطيط المحاليل الوريدية
14 infusion device for water-soluble medicaments	جهاز محاليل الأدوية
15 sphygmomanometer	جهاز قياس ضغط الدم
16 cuff	كفة
17 inflating bulb	مفتاح كفة جهاز الضغط
18 mercury manometer	مانومتر زئبقي
19 bed monitor	شاشة سرير المستشفى
20 connecting lead to the central control unit	كيبيل التوصيل بوحدة التحكم المركزية
21 electrocardiogram monitor (ECG monitor)	شاشة رَسام القلب الكهربائي
22 manometer for the oxygen supply	مقياس إمداد الأوكسجين
23 wall connection for oxygen treatment	وصلة في الحائط لتصديد جهاز الأوكسجين
24 mobile monitoring unit	وحدة شاشة عرض متنقلة
25 electrode lead to the short-term pacemaker	كيبيل توصيل الكترولود
26 electrodes for shock treatment	بمنظم ضربات القلب قصير الأجل
27 ECG recording unit	الكترولودات للمعالجة الصدمية
28 electrocardiogram monitor (ECG monitor)	وحدة تسجيل رَسام القلب الكهربائي
29 control switches and knobs (controls) for adjusting the monitor	شاشة رَسام القلب الكهربائي
30 control buttons for the pacemaker unit	مفاتيح التحكم لضبط وتعديل الشاشة
31 pacemaker (cardiac pacemaker)	مفاتيح التحكم في وحدة منظم ضربات القلب

15 washbasin	حوض غسل
16 instrument cabinet	خزانة/صوان الأدوات
17 drawer for drills	ذراع المثاقب
18 dentist's assistant	مُساعد طبيب الأسنان
19 dentist's lamp	مصباح وحدة الأسنان
20 ceiling light	ضوء مُعلّق بالسقف
21 X-ray apparatus for panoramic pictures	جهاز الأشعة السينية لالتقاط صور بانورامية
22 X-ray generator	مولّد الأشعة السينية
23 microwave treatment unit, a radiation unit	وحدة المعالجة بالميكرويف، وحدة إشعاع
24 seat	مقعد
25 denture (set of false teeth)	طاقم أسنان
26 bridge (dental bridge)	كوبري، جسر
27 prepared stump of the tooth	جذر معدّ لتثبيت كوبري
28 crown (kinds: gold crown, jacket crown)	تاج (نوعان تاج ذهب، طربوش)
29 porcelain tooth (porcelain pontic)	سن من مادة البورسلين
30 filling	حشوة
31 post crown	تاج ذو وتد
32 facing	سطح، واجهة
33 diaphragm	حاجز
34 post	وتد تثبيت التاج
35 carborundum disc (disk)	قرص من الكربورندوم
36 grinding wheel	عجلة السحل
37 burs	سنايل (جمع سنبله)
38 flame-shaped finishing bur	سنبله إنهاء على شكل لهب
39 fissure burs	سنايل شاقبة
40 diamond point	طرف ماسي
41 mouth mirror	مرآة الفم
42 mouth lamp	مصباح الفم
43 cautery	مخضعة الكي
44 platinum-iridium electrode	الكترولود بلاتيني
45 tooth scalars	مقاشط، مقاليح، أدوات تنظيف الأسنان
46 probe	مستبار، مجس
47 extraction forceps	كماشة خلع الأسنان
48 tooth-root elevator	مرفع جذر السن
49 bone chisel	مخض/إزميل العظم
50 spatula	ملوِّقة (أداة المرّج)
51 mixer for filling material	خلاط مادة الحشو
52 synchronous timer	جهاز توقيت تزامني
53 hypodermic syringe for injection of local anaesthetic	محقن المخدر الموضعي
54 hypodermic needle	إبرة للحقن تحت الجلد
55 matrix holder	حامل المسندة
56 impression tray	طابعة (وعاء الطابع)
57 spirit lamp	لمبة كحولية

25 Hospital I	المستشفى (1)
1-30 intensive care unit	وحدة العناية المركزة

operating table	طاولة أدوات نقالة
37 mobile instrument table	طاولة أدوات نقالة
38 sterile cloth	سجّ مضمّم
39 instrument tray	صينية الأدوات
40-53 surgical instruments	الأدوات الجراحية
40 olive-pointed (bulb-headed) probe	مجسّ ذو رأس متفخّ
41 hollow probe	مجسّ أجوف
42 curved scissors	مقصّ منحنّي الطرف
43 scalpel (surgical knife)	منبرّط
44 ligature-holding forceps	جفت منسك الأربطة
45 sequestrum forceps	جفت الوشيظ
46 jaw	فكّ
47 drainage tube	أنبوب تصريف
48 surgeon's tourniquet	عاصبة الجراح
49 artery forceps	جفت شرايين
50 blunt hook	خفاف
51 bone nippers (bone-cutting forceps)	جفت العظام
52 scoop (curette) for erosion (curette)	مكتنطة، مَحْتَة
53 obstetrical forceps	جفت توليد
54 roll of plaster	بكرة شريط لاصق/ بلاستر

27 Hospital III

1-35 X-ray unit

1 X-ray examination table	طاولة الفحص بالأشعة السينية
2 support for X-ray cassettes	حامل كاسيتات أفلام الأشعة السينية
3 height adjustment of the central beam for lateral views	ضبط ارتفاع العمود المركزي من أجل الروية العرضية
4 compress for pyelography and cholecystography	مضغظ تصوير حوض الكلى والحالب وتصوير المرارة
5 instrument basin	جفتة الأدوات
6 X-ray apparatus for pyelograms	جهاز الأشعة السينية الخاص بتصوير حوض الكلى والحالب
7 X-ray tube	أنبوب الأشعة السينية
8 telescopic X-ray support	حامل أشعة سينية تليسكوبي
9 central X-ray control unit	وحدة التحكم المركزية للأشعة السينية
10 control panel (control desk)	لوحة التحكم
11 radiographer (X-ray technician)	فني أشعة
12 window to the angiography room	نافذة تطل على غرفة التصوير الوعائي
13 oxymeter	مقياس الأكسجين
14 pyelogram cassettes	كاسيتات تصوير حوض الكلى والحالب
15 contrast medium injector	حاقن وسط التباين
16 X-ray image intensifier	مكثف صورة الأشعة السينية
17 C-shaped frame	إطار قوسي

18 X-ray head with X-ray tube	رأس توليد الأشعة السينية المزود بأنبوب الأشعة
19 image converter with converter tube	محول الصورة المزود بصمام المحوّل
20 film camera	آلة تصوير أفلام الأشعة
21 foot switch	مفتاح سطحي
22 mobile mounting	حامل متحرك
23 monitor	شاشة
24 swivel-mounted monitor support	حامل شاشة مثبت على محور دوّارني
25 operating lamp	مصباح
26 angiographic examination table	سريّر التصوير الوعائي
27 pillow	وسادة
28 eight-channel recorder	مسجل ذو ثماني قنوات
29 recording paper	ورق تسجيل
30 catheter gauge (Am. gage) unit for catheterization of the heart	وحدة جهاز القطرة الخاصة بقثطرة القلب
31 six-channel monitor for pressure graphs and ECG	شاشة ذات ست قنوات لمخطّط الضغظ ورّسام القلب الكهربائي
32 slide-in units of the pressure transducer	وحدات محوّل الطاقة الضغظ
33 paper recorder unit with developer for photographic recording	وحدة التسجيل على الورق الخاصة بالتسجيل الفوتوغرافي وبها وحدة تجميع
34 recording paper	ورق تسجيل
35 timer	جهاز توقيت
36-50 spirometry	قياس التنفّس
36 spirometry for pulmonary function tests	تخطيط التنفّس لاختبارات كفاءة وظيفة الرئتين
37 breathing tube	أنبوب التنفّس
38 mouthpiece	بسم (الجزء الذي يوضع بالحلم)
39 soda-lime absorber	مادة ماصة من جير الصودا
40 recording paper	ورق تسجيل
41 control knobs for gas supply	مفاتيح التحكم في معدّل إمداد الغاز
42 O ₂ stabilizer	موازن الأكسجين
43 throttle valve	صمام خائق
44 absorber attachment	وصلة جهاز الامتصاص
45 oxygen cylinder	أسطوانة الأكسجين
46 water supply	مصدر إمداد الماء
47 tube support	حامل الأنبوب
48 mask	قناع، كمامة
49 CO ₂ consumption meter	مقياس استهلاك ك 21
50 stool for the patient	(ثاني أكسيد الكربون) مقعد المريض

28 Infant Care and Layette

1 collapsible cot	سريّر طفل قابل للطي
2 bouncing cradle	مهد هزاز
3 baby bath	حمام أطفال
4 changing top	طاولة تغيير الملابس
5 baby (new-born baby)	طفل (رضيع)
6 mother	أم

7 hairbrush	فرشاة شعر
8 comb	مشط
9 hand towel	منشفة يد، فوطة
10 toy duck	لعبة على شكل بطة
11 changing unit	صوان التغييرات
12 teething ring	عصاضة، حلقة التسنين
13 cream jar	وعاء/ قنينة كريم
14 box of baby powder	علبة بودرة أطفال
15 dummy	دُمّيّة
16 ball	كرة
17 sleeping bag	كبس نوم
18 layette box	صندوق لوازم الطفل المولود
19 feeding bottle	رضاعة، زجاجة الإرضاع
20 teat	حلمة
21 bottle warmer	صندوق تدفئة الرضاعة
22 rubber baby pants for disposable nappies (Am. diapers)	حفاضات للطفل تستعمل مرة واحدة فقط
23 vest	صدرية
24 leggings	الطباقي
25 baby's jacket	سترة طفل
26 hood	قلنسوة غطاء للرأس والعنق معاً
27 baby's cup	كوب أطفال
28 baby's plate, a stay-warm plate	طبق أطفال، طبق يحفظ ترومتر
29 thermometer	ترمومتر
30 bassinet, a wicker pram	مهد شبه بسلة
31 set of bassinet covers	طاقم أغشية المهد
32 canopy	قلّة، غطاء شفاف
33 baby's high chair, a folding chair	كرسي أطفال مرتفع، كرسي قابل للطي
34 pram (baby-carriage) [with windows]	عربة أطفال [ذات نوافذ]
35 folding hood	غطاء قابل للطي
36 window	نافذة
37 pushchair (Am. stroller)	عربة أطفال، كرسي متحرك للأطفال
38 foot-muff (Am. foot-bag)	موفة (تدفئة) القدمين
39 play pen	حديقة اللعب
40 floor of the play pen	أرضية حديقة اللعب
41 building blocks (building bricks)	مكعبات بناء
42 small child	طفل صغير
43 bib	صدرية الطفل (توضع تحت ذقنه أثناء الطعام)
44 rattle (baby's rattle)	خشخيشة
45 booties	حذاء قصير، جورب صوف للأطفال
46 teddy bear	دبّ لعبة
47 potty (baby's pot)	نونية للأطفال
48 carrycot	مهد يحمل يدوياً
49 window	نافذة
50 handles	مقبضان

29 Children's Clothes

1-12 baby clothes	ملابس الأطفال
-------------------	---------------

1 pram suit	بدلة خروج
2 hood	قلنسوة (تغطي الرأس والعنق معاً)
3 pram jacket (matinee coat)	سترة ماتينية (مخفّف صوفي)
4 pompon (bobble)	بمبونة، شراية
5 booties	حذاء صوفي للطفل
6 sleeveless vest	صدرية بدون أكمام
7 envelope-neck vest	صدرية ذات فتحة رقبة طرفية
8 wrapover vest	صدرية تدشير خارجية
9 baby's jacket	سترة طفل
10 rubber baby pants	حفاض
11 playsuit	لباس اللعب
12 two-piece suit	بدلة مكونة من قطعتين
13-30 infants' wear	ملابس أطفال
13 child's sundress, a pinafore dress	مئزر للأطفال من غير أكمام
14 frilled shoulder strap	حاملة كتف مكشكشة
15 Shirred top	جزء علوي مدرّز
16 sun hat	قبعة واقية من الشمس
17 one-piece jersey suit	جرس صوفي قطعة واحدة
18 front zip (Am. zipper)	سوسة أمامية
19 catsuit (playsuit)	لباس اللعب
20 motif (appliqué)	زخارف المنكّنة
21 romper	سروال قصير للعب
22 playsuit (romper suit)	لباس اللعب
23 coverall (sleeper and strampler)	مئزر، كغزل
24 dressing gown (bath robe)	زوب حمام (برنس)
25 children's shorts	بنطلون قصير للأطفال (شورت)
26 braces (Am. suspenders)	حمالتان
27 children's T-shirt	تي شيرت للأطفال، كترّة
28 jersey dress (knitted dress)	فستان جرسية (فستان تريكو)
29 embroidery	نظريز
30 children's ankle socks	جورب قصير للأطفال
31-47 school children's wear	ملابس المدرّسة للأطفال
31 raincoat	معطف واق من المطر
32 leather shorts (lederhosen)	بنطلون جلدي قصير
33 staghorn button	زرّ
34 braces (Am. suspenders)	حمالتان
35 flap	قلابية
36 girl's dirndl	درندل بناتي
37 cross lacing	رباط (شريط) متقاطع
38 snow suit (quilted suit)	بدلة منمنمة
39 quilt stitching (quilting)	غرزة تضريبية
40 dungarees (bib and brace)	دغري سروال من قماش خشن
41 bib skirt (bib top pinafore)	تنورة صدرية
42 tights	جورب طويل ضيق يغطي

ملابس الأطفال

ملابس الطفل الرضيع

43 sweater (jumper)	نصف الجسم سويتير، كُزرة	15 long sleeve	كَم طَوِيل
44 pile jacket	سِتْرَةٌ سَخْلِيَّةٌ	16 quilted waistcoat	صَدْرِيَّةٌ مِطْفَنَةٌ
45 leggings	طَمَاق	17 quilt stitching (quilting)	عُرْزَةٌ تَصْمِيغِيَّةٌ
46 girl's skirt	تَنْوَرَةٌ (جوب، جونيلة)	18 leather trimming	قَلَامَةٌ جِلْدِيَّةٌ
47 child's jumper	بَلُوزَةٌ تَرِيكُو لِأَطْفَالٍ	19 winter slacks	بَنْطَلُونِ حَرِيْمِي شَتَوِي
48-68 teenagers' clothes	مَلَابِيسُ الْمَرَاهِقِينَ	20 striped polo jumper	كُزْرَةٌ مِخْطَلَةٌ ذَاتُ رَقِيَّةٍ عَالِيَةِ صِفْقَةٍ
48 girl's overblouse (over-top)	بَلُوزَةٌ خَارِجِيَّةٌ	21 boiler suit (dungarees, bib and brace)	بِدَالَةٌ دَخْرِي
49 slacks	بَنْطَلُونِ	22 patch pocket	جِيْبٍ خَارِجِيٍّ مُمْتَبِتٍ
50 girl's skirt suit	بِدَلَةٌ (لِلْفَتَيَاتِ) مَكُونَةٌ مِنْ سِتْرَةٍ وَتَنْوَرَةٍ	23 front pocket	جِيْبٍ خَارِجِيٍّ فَوْقَ التُّوبِ
51 jacket	سِتْرَةٌ، جَاكَتٌ	24 bib	جِيْبٍ أَمَامِيٍّ
52 skirt	تَنْوَرَةٌ (جوب، جونيلة)	25 wrapover dress (wrap-around dress)	صَدْرِيَّةٌ التَّنَوَّرَةُ
53 knee-length socks	جُزْرُبٌ يَمَسُّ إِلَى الرُّكْبَةِ	26 shirt	ثَوْبٌ شَبِيهٌ بِالْعِمَاءَةِ
54 girl's coat	مِغْطَفٌ بِنَاتِي	27 peasant-style dress	قَمِيصِيٍّ
55 tie belt	حِزَامٌ يَرْبُطُ فِي شَكْلِ عَقْدَةٍ	28 floral braid	فَسْتَانٍ/ ثَوْبٍ (شَبِيهٍ بِلِبَاسِ الْفَلَاحِيْنَ)
56 girl's bag	حَقِيْبِيَّةٌ يَدٍ بِنَاتِي	29 tunic (tunic top)	زُرْكُشَّةٌ بِالْوَرْدِ
57 woollen (Am. woolen) hat	قَبِيْعَةٌ صَوْفِيَّةٌ	30 ribbed cuff	التَّنَكُّ، بَلُوزَةٌ أَوْ سِتْرَةٌ طَوِيلَةٌ
58 girl's blouse	بَلُوزَةٌ بِنَاتِي	31 quilted design	كُفَّةٌ/أَسْوَرَةٌ كَمُ مِضْلَعَةٌ
59 culottes	كُوْلُوْتٌ (تَنْوَرَةٌ مِخْطِيْعَةٌ فِي شَكْلِ بَنْطَلُونِ)	32 pleated skirt	تَصْمِيْمٌ تَصْمِيغِيٍّ
60 boy's trousers	بَنْطَلُونِ أَوْلَادِيٍّ	33 two-piece knitted dress	تَنْوَرَةٌ مَكْسُرَةٌ
61 boy's shirt	قَمِيصِيٍّ أَوْلَادِيٍّ	34 boat neck, a neckline	ثَوْبٌ/فَسْتَانٌ تَرِيكُو مِنْ قَطْعَتَيْنِ
62 anorak	مِغْطَفٌ قَصِيْرٌ ذُو قَلْسُوْنَةٍ	35 turn-up	خَطُّ الرَّقِيْعَةِ
63 inset pockets	جِيْبٌ دَاخِلِيٌّ مُمْتَبِتٌ بِالْخِيَاطَةِ	36 kimono sleeve	طَلِيَّةٌ (فِي الْكَمِّ) لِأَعْلَى كَمِّ كِيْمُونُو (بِدُونِ كُفِّ)
64 hood drawstring (draw-string)	رِيَابُ إِحْكَامِ الْقَلْسُوْنَةِ	37 knitted design	تَصْمِيْمٌ دُرْزِيٍّ
65 knitted welt	أَسْوَرَةٌ كَمُ مِخْطِيْعَةٌ/مَشْغُوْلَةٌ	38 lumber-jacket	سِتْرَةٌ مَتِيْنَةٌ لِلْمَعْمَلِ
66 parka coat (parka)	مِغْطَفٌ قَصِيْرٌ مَزُوْدٌ بِقَلْسُوْنَةٍ	39 cable pattern	زُرْكُشَّةٌ كَبِيْعِيَّةٌ
67 drawstring (draw cord)	رِيَابُ إِحْكَامِ الْمِغْطَفِ عِنْدَ الْخَصْرِ	40 shirt-blouse	بَلُوزَةٌ
68 patch pockets	جِيْبٌ خَارِجِيٌّ مُمْتَبِتٌ بِالْخِيَاطَةِ فَوْقَ التُّوبِ	41 loop fastening	عُرْوَةٌ زُرْ أُنْشُوْطِيَّةٌ
		42 embroidery	تَطْرِيْزٌ
		43 stand-up collar	بِيَاقَةٌ عَالِيَّةٌ
		44 cossack trousers	بَنْطَلُونِ قَوَقَازِيٍّ (مُوْدِيْلِ)
		45 two-piece combination (shirt top and long skirt)	ثَوْبٌ مِنْ قَطْعَتَيْنِ (قَمِيصِيٍّ وَتَنْوَرَةٌ طَوِيلَةٌ)
		46 tie (bow)	عَقْدَةٌ أُنْشُوْطِيَّةٌ
		47 decorative facing	تَخْرِيجٌ قَمَاشٍ يَخَاطُ عَلَى التُّوبِ لِلتَّرْزِيْنِ
		48 cuff slit	فَتْحَةٌ أَسْوَرَةٌ الْكَمِّ
		49 side slit	فَتْحَةٌ جَانِبِيَّةٌ
		50 tabard	بَلُوزَةٌ فَضْفَاضَةٌ (مَطْرَبُدِ) غَيْرِ مَحَاكَاةٍ مِنَ الْجَانِبِيْنَ
		51 inverted pleat skirt	تَنْوَرَةٌ ذَاتُ طَلِيَّةٍ مَقْلُوْبَةٍ
		52 godet	جُوْدِيَّةٍ، طَلِيَّةٍ/كُشْرَةٍ إِلَى الدَّاخِلِ
		53 evening gown	فَسْتَانٌ مَسَائِيٍّ
		54 pleated bell sleeve	كَمٌّ يَلْبَسِيْهِ جَرْسِيٌّ الشَّكْلِ
		55 party blouse	بَلُوزَةٌ سَهْرَةٌ
		56 party skirt	تَنْوَرَةٌ سَهْرَةٌ
		57 trouser suit (slack suit)	بِدَالَةٌ حَرِيْمِيٍّ فَضْفَاضَةٌ
		58 suede jacket	جَاكَتٌ شَمَوَاهُ
		59 fur trimming	قَلَامَةٌ مِنَ الْفُرِّ
		60 fur coat (kinds: Persian lamb, broadtail, mink,	مِغْطَفٌ مِنَ الْفُرِّ (الْأَنْوَاعُ الْحَمَلُ الْفَارْسِيُّ، الْفَرْكُوْلُ،

61 winter coat (cloth coat)	مِغْطَفٌ شَتَوِيٍّ
62 fur cuff (fur-trimmed cuff)	كُفَّةٌ مِنَ الْفُرِّ
63 fur collar (fur-trimmed collar)	بِيَاقَةٌ مِنَ الْفُرِّ
64 loden coat	مِغْطَفٌ شَبِيهٌ بِالْكَابِ
65 cape	كَابٌ
66 toggle fastenings	زُرٌّ عَقْدِيٌّ
67 loden skirt	تَنْوَرَةٌ فَضْفَاضَةٌ
68 poncho-style coat	مِغْطَفٌ شَبِيهٌ بِالْعِمَاءَةِ
69 hood	قَلْسُوْنَةٌ

31 Ladies' Wear II (Summer Wear)	مَلَابِيسُ السَّيِّدَاتِ (2) (المَلَابِيسُ الصَّيْفِيَّةُ)
1 skirt suit	تَابِيْرٌ
2 jacket	جَاكَتٌ
3 skirt	تَنْوَرَةٌ
4 inset pocket	جِيْبٌ دَاخِلِيٌّ
5 decorative stitching	عُرْزٌ تَطْرِيْزِيَّةٌ
6 dress and jacket combination	طَاقَمٌ مِنْ فَسْتَانٍ وَجَاكَتٍ
7 piping	شَرِيْطٌ تَرْزِيْنِيٍّ
8 pinafore dress	فَسْتَانٌ بِدُونِ أَكْحَامٍ
9 summer dress	فَسْتَانٌ صَيْغِيٍّ
10 belt	حِزَامٌ
11 two-piece dress	فَسْتَانٌ مِنْ قَطْعَتَيْنِ
12 belt buckle	إِبْرِيْمٌ الْحِزَامِ
13 wrapover (wrap-around) skirt	تَنْوَرَةٌ تَلْتَفُ حَوْلَ تَرْتَدِيٍّ فِي الْجِسْمِ
14 pencil silhouette	سَلْوِيْتُ رَفِيْعٍ
15 shoulder buttons	أَزْرَارٌ فَوْقَ الْكَتْفِ
16 batwing sleeve	كَمٌّ خَفَاشٍ
17 overdress	ثَوْبٌ فَوْقِيٌّ
18 kimono yoke	كُتْفُ كِيْمُونُو
19 tie belt	حِزَامٌ يَرْبُطُ فِي شَكْلِ عَقْدَةٍ
20 summer coat	مِغْطَفٌ صَيْغِيٍّ
21 detachable hood	قَلْسُوْنَةٌ قَابِلَةٌ لِلْفَصْلِ مِنَ التُّوبِ

22 summer blouse	بَلُوزَةٌ صَيْغِيَّةٌ
23 lapel	طَلِيَّةٌ صَدْرُ الْبَلُوزَةِ
24 skirt	تَنْوَرَةٌ
25 front pleat	طَلِيَّةٌ أَمَامِيَّةٌ
26 dirndl (dirndl dress)	دِرَنْدَلٌ (فَسْتَانُ الدِرَنْدَلِ)
27 puffed sleeve	كَمٌّ مَتَفُوْشٌ
28 dirndl neckline	عَقْدُ الدِرَنْدَلِ
29 dirndl blouse	بَلُوزَةُ الدِرَنْدَلِ
30 bodice	صَدْرُ التُّوبِ
31 dirndl apron	مِرْبِيَّةُ الدِرَنْدَلِ
32 lace trimming (lace), cotton lace	دَانَشِيْلَا قَطِيْعِيَّةٌ (تَدْرِيْزِ)
33 frilled apron	مِرْبِيَّةٌ مَكْسُكُشَّةٌ
34 frill	كَشْكُشَّةٌ
35 smock overall	أَوْفَرْوَلٌ "سَمُوْكٌ"
36 house frock (house dress)	فَسْتَانٌ بَيْتٍ
37 poplin jacket	جَاكَتٌ تُوْبَلِيْنِ
38 T-shirt	تِي شِيْرْتٌ
39 ladies' shorts	بَنْطَالٌ قَصِيْرٌ لِلْسَيِّدَاتِ

40 trouser turn-up	(شَوْرْتٌ حَرِيْمِيٍّ)
41 waistband	ثَنِيَّةُ الشَّوْرْتِ
42 bomber jacket	كَبُو الْخَصْرِ
43 stretch welt	جَاكَتٌ مَتَفْتَحٌ لِلْسَيِّدَاتِ
44 Bermuda shorts	حَاشِيَّةٌ/سِتْرٌ مَطَاطِيٌّ لِلتَّرْزِيْنِ
45 saddle stitching	بَنْطَالٌ بَرْمُوْدَا قَصِيْرٌ
46 frill collar	عُرْزٌ سَرَّجِيَّةٌ، سِرَّاجَةٌ
47 knot	بِيَاقَةٌ مَكْسُكُشَّةٌ
48 culotte	عَقْدَةٌ
49 twin set	كُوْلُوْتٌ
50 cardigan	طَاقَمٌ تُوْبِيْنِ
51 sweater	سِتْرَةٌ ضَنْبِقَةٌ
52 summer (lightweight) slacks	صَدْرِيَّةٌ، سُوَيْتِرٌ
53 jumpsuit	بَنْطَالٌ صَيْغِيٍّ (خَفِيْفٌ)
	بِدَالَةٌ قِطْعَةٌ وَاحِدَةٌ بِنَسُوْتَةٍ أَمَامِيَّةٍ
54 turn-up	خَلِيَّةٌ كَمِّ لِأَعْلَى
55 zip (Am. zipper)	سُوَيْسَتَةٌ، سَخَابٌ
56 patch pocket	جِيْبٌ خَارِجِيٌّ
57 scarf (neckerchief)	إِبْشَارِبُ، وَشَاحٌ
58 denim suit	بِدَالَةٌ مِنَ الدَنِيمِ (بِدَالَةٌ جِينِزِ)
59 denim waistcoat	جَاكَتٌ الْبِدَالَةِ الدَنِيمِ
60 jeans (denims)	بَنْطَالٌ جِينِزِ
61 overblouse	بَلُوزَةٌ خَارِجِيَّةٌ
62 turned-up sleeve	كَمٌّ مَتْنِيٌّ لِأَعْلَى
63 stretch belt	حِزَامٌ مَطَاطٌ (سِتْرَتِيْنِ)
64 halter top	صَدْرِيَّةٌ مَكْسُوفَةٌ الظَّهْرَ
65 knitted overtop	صَدْرِيَّةٌ تَرِيكُو تَرْتَدِيٍّ فَوْقَ الْمَلَابِيسِ
66 drawstring waist	وَسَطٌ يَحْكُمُ بِشَدِّ الرِّيَابِ
67 short-sleeved jumper	بَلُوزَةٌ تَرِيكُو ذَاتُ كَمِّ قَصِيْرٍ
68 V-neck (vec-neck)	رَقِيْعَةٌ عَلَى شَكْلِ V
69 turndown collar	بِيَاقَةٌ قَلَابِيَّةٌ
70 knitted welt	حَاشِيَّةٌ/سِتْرٌ مَشْغُوْلٌ
	بِالصَّنَاعَةِ (تَرِيكُو)
71 shawl	شَالٌ

32 Underwear, Nightwear	المَلَابِيسُ الدَّاخِلِيَّةُ، مَلَابِيسُ اللَّيْلِ
1-15 ladies' underwear	المَلَابِيسُ الدَّاخِلِيَّةُ الْنِسَائِيَّةُ
(ladies' underclothes, lingerie)	
1 brassiere (bra)	صَدْرِيَّةٌ لِلتَّنَدِيْنِ (سُوْتِيَانِ)
2 pantie-girdle	سِرْوَالٌ دَاخِلِيٌّ مَبْشَدٌ
3 pantie-corsette	كُورْسِيَّةٌ بِسِرْوَالٍ دَاخِلِيٍّ
4 longline brassiere (longline bra)	سُوْتِيَانٌ كَاشٌ
5 stretch girdle	مَبْشَدٌ، إِزْرَارٌ مَطَاطِيٍّ
6 suspender	مَبْشَدُ الْجُزَارِبِ
7 vest	قَمِيصِيٍّ دَاخِلِيٍّ قَصِيْرٍ
8 pantie briefs	سِرْوَالٌ حَرِيْمِيٍّ دَاخِلِيٍّ
9 ladies' kneec-high stocking	جُزْرُبٌ حَرِيْمِيٍّ طَوِيْلٌ حَتَّى الرُّكْبَةِ
10 long-legged (long leg) panties	سِرْوَالٌ دَاخِلِيٍّ طَوِيْلٌ
11 long pants	سِرْوَالٌ طَوِيْلٌ
12 tights (pantie-hose)	جُزْرُبٌ طَوِيْلٌ ضَيِيقٌ يَعْطِي

13 slip	نصف الجسم السفلي قميص داخلي طويل	7 dinner dress, an evening suit	بدلة سهرة
14 waist slip	جيبونة	8 silk lapel	ياقة حرير، صدر حرير
15 bikini briefs	سروال بكيني	9 breast pocket	جيب الصدر
16-21 ladies' nightwear	ملابس النوم النسائية	10 dress handkerchief	مُنديل بدلة
16 nightdress (nightgown, nightie)	قميص نوم	11 bow-tie	بابون
17 pyjamas (Am. pajamas)	بيجاما	12 side pocket	جيب جانبي
18 pyjama top	جاكت البيجاما	13 tailcoat (tails), evening dress	بدلة ريدجوت، بدلة سهرة
19 pyjama trousers	بنطال البيجاما	14 coat-tail	ذيل الجاكت
20 housecoat	روب منزلي	15 white waistcoat (vest)	صديري أبيض
21 vest and shorts set [for leisure wear and as nightwear]	طاقم فائلة وشورت [للتنزه ولياس ليئي]	16 white bow-tie	بابون أبيض
22-29 men's underwear (men's underclothes)	الملابس الداخلية الرجالية	17 casual suit	بدلة كاجوال
22 string vest	فائلة غربيالية	18 pocket flap	قلاية/ غطاء الجيب
23 string briefs	سروال غربيالي	19 front yoke	سفرة أمامية، كمر
24 front panel	بطانة السروال الأمامية	20 denim suit	بدلة دنيم (بدلة جينز)
25 sleeveless vest	فائلة بصمالات (بدون أكمام)	21 denim jacket	جاكت دنيم
26 briefs	سروال داخلي قصير	22 jeans (denims)	بنطال جينز (دنيم)
27 trunks	سروال شورت	23 waistband	كمر الخصر
28 short-sleeved vest	فائلة داخلية بأكمام قصيرة	24 beach suit	لباس البحر
29 long Johns	سروال طويل	25 shorts	شورت (بنطال قصير)
30 braces (Am. suspenders)	حمالة	26 short-sleeved jacket	جاكت بكم قصير
31 braces clip	مشبك حمالة	27 tracksuit	بدلة/ لباس التدريب
32-34 men's socks	الجوارب الرجالي	28 tracksuit top with zip	سترة لباس تدريب مزودة بسوستة
32 knee-length sock	جورب طويل حتى الركبة	29 tracksuit bottoms	بنطال لباس التدريب
33 elasticated top	أستك (الطرف المطاطي)	30 cardigan	جاكت/ سترة صوف
34 long sock	الجورب	31 knitted collar	ياقة منسوجة بالصنارة
35-37 men's nightwear	ملابس النوم الرجالية	32 men's short-sleeved pullover (men's short-sleeved sweater)	بلوفر بأكمام قصيرة
35 dressing gown	روب نوم قصير	33 short-sleeved shirt	قميص بكم قصير
36 pyjamas (Am. pajamas)	بيجاما	34 shirt button	زر قميص
37 nightshirt	قميص للنوم	35 turn-up	طية خارجية
38-47 men's shirts	قمصان رجالي	36 knitted shirt	فائلة خارجية منسوجة بالصنارة
38 casual shirt	قميص خارجي (كاجوال)	37 casual shirt	قميص كاجوال
39 belt	حزام	38 patch pocket	جيب خارجي (محاك على القميص من الخارج)
40 cravat	كرافت	39 casual jacket	جاكت كاجوال
41 tie	رباط العنق	40 knee-breeches	بنطال قصير (لركوب الخيل)
42 knot	عقدة	41 knee strap	شريط/ رباط الركبة
43 dress shirt	قميص بدلة	42 knee-length sock	جورب طويل حتى الركبة
44 frill (frill front)	كشكشة	43 leather jacket	جاكت جلدي
45 cuff	أشورة القميص	44 bib and brace overalls	أوفرول مفتوح
46 cuff link	زر معدني لكم القميص	45 adjustable braces (Am. suspenders)	سوستة
47 bow-tie	بابون، رابطة عنق أنشوطية	46 front pocket	جيب أمامي
33 Men's Wear	ملابس الرجال	47 trouser pocket	جيب بنطال
1-67 men's fashion	الأزياء الرجالي	48 fly	لسان تغطية السوستة
1 single-breasted suit, a men's suit	بدلة رجالي	49 rule pocket	جيب جانبي صغير لوضع المسطرة وخلافه
2 jacket	جاكت، سترة	50 check shirt	قميص كاروه (مربعات)
3 suit trousers	بنطال البدلة	51 men's pullover	بلوفر رجالي
4 waistcoat (vest)	صديري	52 heavy pullover	بلوفر ثقيل
5 lapel	ياقة/ طية صدر الجاكت	53 knitted waistcoat (vest)	صديري منسوج بالصنارة
6 trouser leg with crease	رجل بنطال ذات ثنية أمامية	54 blazer	جاكت بليزر (دو صقن من الأزرار)
		55 jacket button	زر جاكيت

56 overall	أوفرول (بالطو)	short beard bristles	سوّالف، سبيلات
57 trenchcoat	معطف واق من المطر	24 side-whiskers (sideboards, sideburns)	حلاقة نامعة
58 coat collar	ياقة المعطف	25 clean shave	شريحة أفريقي (كنيش) للرجال والنساء
59 coat belt	حزام المعطف	26 Afro look (for men and women)	شريحات الشعر النسائية
60 poplin coat	معطف بولين	27-38 ladies' hairstyles (coiffures, women's and girls' hairstyles)	ذيل حصان (كودو شفال)
61 coat pocket	جيب المعطف	27 ponytail	شعر منسوط للخلف
62 fly front	لسان تغطية الأزرار (أو السوستة)	28 swept-back hair (swept-up hair, pinned-up hair)	كعكة (بيثيون)
63 car coat	معطف قصير	29 bun (chignon)	صغيراتان
64 coat button	زر المعطف	30 plaits (punches)	شريحة الإكبل (Gretchen style)
65 scarf	وشاح	31 chaplet hairstyle (Chaplet style)	إكليل ملفوف
66 cloth coat	معطف طويل	32 chaplet (coiled plaits)	شعر مقفوس/ مجعد
67 glove	قفاز	33 curled hair	قصّة الشعر القصير
		34 shingle (shingled hair, bobbed hair)	شريحة شعر نسائية يرسل فيها الشعر حتى الكتفين ويلتف إلى الداخل
		35 pageboy style	شعر مصفف فوق الجبين
34 Hairstyles and Beards	قصّات الشعر وأشكال اللحية	36 fringe (Am. bangs)	شريحة الكعكتين
1-25 men's beards and hairstyles (haircuts)	اللحيات وقصّات الشعر الرجالية	37 earphones	ضفيرة ملفوفة
1 long hair worn loose	شعر طويل منترسل	38 earphone (coiled plait)	أغلبية الرأس
2 allonge periwig (full-bottomed wig), a wig; shorter and smoother: bob wig, toupet	شعر منسّغار (باروكة) في شكل عقصّات		القبعات والقلمنسات النسائية
3 curls	عقصة، جعدة	1 milliner making a hat	صمّمة قبعات نسائية تصنع قبة
4 bag wig (purse wig)	شعر منسّغار (باروكة) على شكل كيس	2 hood	قلنسوة
5 pigtail wig	شعر منسّغار (باروكة) على شكل ضفيرة في مؤخرة الرأس	3 block	قالب
6 queue (pigtail)	ضفيرة صغيرة تتدلى من مؤخرة الرأس	4 decorative pieces	قطع للزينة
7 bow (ribbon)	شريط	5 sombrero	صومبريرو (موديل مكسيكي)
8 handlebars (handlebar moustache, Am. moustache)	شارب منسّقيم	6 mohair hat with feathers	قبعة من المهير والريش
9 centre (Am. center) parting	فرق الشعر بمنتصف الرأس	7 model hat with fancy appliqué	قبعة ذات ألبك مزخرف
10 goatee (goatee beard), chintuft	العنتون: لحية صغيرة منسدبة	8 linen cap (jockey cap)	كاب من الكتان (كاب الفروسية)
11 closely-cropped head of hair (crew cut)	شريحة الشعر القصير	9 hat made of thick candlewick yarn	قبعة مصنوعة من غزل قلني ثقيل
12 whiskers	سبلة	10 woollen (Am. woolen) hat (knitted hat)	قبعة صوفية
13 Vandyke beard (stiletto beard, bodkin beard), with waxed moustache (Am. moustache)	لحية "فاندايك" (اللحية مدببة الطرف) مع شارب منسّج	11 mohair hat	صمّعة من المهير
14 side parting	فرق جانبي الرأس	12 cloche with feathers	قبعة جزسية الشكل مزخرفة بريش
15 full beard (circular beard, round beard)	لحية كاملة/ منسدبة	13 large men's hat made of sisal with corded ribbon	قبعة رجالية كبيرة مصنوعة من السيزال وشريط منسّج
16 tile beard	لحية منسّطبة	14 trilby-style hat with fancy ribbon	قبعة إفريقية من الجوخ الناعم ذات شريط زخرفي
17 shadow	شارب صغير مدبب الطرفين	15 soft felt hat	قبعة من اللباد الناعم
18 head of curly hair	شعر مجعد	16 Panama hat with scarf	قبعة بنما مزينة بوشاح
19 military moustache (Am. moustache) (English-style moustache)	شارب عسكري (موديل إنجليزي)	17 peaked mink cap	قبعة من فراء المink ذات
20 partly bald head	رأس صلعاء جزئياً		
21 bald patch	منطقة صلعاء		
22 bald head	رأس صلعاء		
23 stubble beard (stubble,	لحية منبّنة		

18	mink hat	قَمَّةٌ مَسْتَدِيرَةٌ قَبْعَةٌ مِنْ فِرَاءِ الْمَيْكُ
19	fox hat with leather top	قَبْعَةٌ مِنْ فِرَاءِ التَّلْبُغِ ذَاتِ قَمَّةٍ جَلْدِيَّةٍ
20	mink cap	كَابٌ مِنْ فِرَاءِ الْمَيْكُ
21	slouch hat trimmed with flowers	قَبْعَةٌ مِنَ الْجَوْحِ ذَاتِ حَافَةِ عَرِيضَةٍ مِنَ الزُّهُورِ
22-40	men's hats and caps	الْقَبْعَاتُ وَالْقَلْبَشَوَاتُ الرِّجَالِيَّةُ
22	trilby hat (trilby)	قَبْعَةٌ إِفْرَنْجِيَّةٌ مِنَ الْجَوْحِ النَّاعِمِ
23	loden hat (Alpine hat)	قَبْعَةٌ أَلْبِينِيَّةٌ
24	felt hat with tassels (Tyrolean hat, Tyrolese hat)	قَبْعَةٌ مِنَ اللَّبَادِ ذَاتِ شُرَابَةٍ مِنَ الْخَلْفِ
25	corduroy cap	كَابٌ مِنَ الْقَطِيفَةِ الْمَضْلَعَةِ
26	woollen (Am. woolen) hat	قَبْعَةٌ صُوفِيَّةٌ
27	beret	بِيرِيه
28	German sailor's cap (*Prinz Heinrich' cap)	كَابُ الْبَحَّارِ الْأَلْمَانِيِّ
29	peaked cap (yachting cap)	كَابُ كَابَتَيْنِ بَحَّارٍ
30	sou'wester (south- wester)	قَبْعَةٌ مِنَ اللَّمِشْعِ لَهَا حَافَةٌ خَلْفِيَّةٌ عَرِيضَةٌ
31	fox cap with earflaps	قَبْعَةٌ مِنْ فِرَاءِ التَّلْبُغِ مَرْوَدَةٌ بِغِلْمَاتَيْنِ لِلْأَذْنَيْنِ
32	leather cap with fur flaps	قَبْعَةٌ جَلْدِيَّةٌ ذَاتُ قَلَابَاتٍ مِنَ الْفِرَاءِ
33	musquash cap	قَبْعَةٌ مِنْ فِرَاءِ فَارِ الْمُسْكِ
34	astrakhan cap, a real or imitation astrakhan cap	كَابٌ مِنْ صُوفِ الْأَسْتْرَاخَانَ
35	boater	قَبْعَةٌ قَشٌّ عَرِيضَةٌ الْحَافَةُ
36	(grey, Am. gray, or black) top hat made of silk taffeta; collapsible: crush hat (opera hat, claque)	قَبْعَةٌ رَسْمِيَّةٌ مِنْ نَقَّاتِهِ الْحَرِيرِ، قَبْعَةٌ سَوَادٌ حَرِيرِيَّةٌ عَالِيَةٌ قَابِلَةٌ لِلظُّعْمِ
37	sun hat (lightweight hat made of cloth with small patch pocket	قَبْعَةٌ شَمْسٍ (مِنْ الْقَمَاشِ وَبِهَا جَيْبٌ خَارِجِي صَغِيرٌ)
38	wide-brimmed hat	قَبْعَةٌ ذَاتُ إِفْرِيزٍ مَسْتَعٍ
39	toboggan cap (skiing cap, ski cap)	قَبْعَةٌ التَّرْحَلِقِ عَلَى الْجَلِيدِ
40	workman's cap	قَبْعَةُ الْعَمَّالِ (لِلْمَزَارِعِينَ وَالْعَمَّالِ الْغَابَاتِ وَالْحَرَفِيِّينَ)
36	Jewellery (Am. Jewelry)	الْمُجَوْهَرَاتُ
1	set of jewellery (Am. jewelry)	طَاقِمُ الْمُجَوْهَرَاتِ
2	necklace	عَقْدٌ، قَلَادَةٌ
3	bracelet	سَوَّارٌ، أَسْوَرَةٌ
4	ring	خَاتَمٌ
5	wedding rings	دِبِلَتَا/خَاتَمَا الزَّوْجِ
6	wedding ring box	عَلْبَةٌ خَاتَمِي الزَّوْجِ
7	brooch, a pearl brooch	بُرُوشٌ، بُرُوشٌ لُوْلُوْأُ
8	pearl	لُوْلُوْأَةٌ
9	cultured pearl bracelet	سَوَّارٌ/أَسْوَرَةٌ مِنَ اللُّوْلُوْأِ (pendeloque)

10	clasp, a white gold clasp	الصَّنَاعِي إِبْرِيْمٌ، مَيْبِكٌ مِنَ الذَّهَبِ الْأَبْيَضِ
11	pendant earrings (drop earrings)	حَلَقٌ دَلَّابِيَّةٌ
12	cultured pearl necklace	عَقْدٌ مِنَ اللُّوْلُوْأِ الصَّنَاعِي
13	earrings	حَلَقٌ
14	gemstone pendant	حَلِيَّةٌ مَرْصُوعَةٌ بِالْأَحْجَارِ الْكُرَيْمِيَّةِ
15	gemstone ring	خَاتَمٌ بِهِ حَجَرُ كُرَيْمٍ
16	choker (collar, neck- band)	عَقْدٌ ضَيِّقٌ، كَوْلِيه
17	bangle	سَوَّارٌ لِلْعِصْمِ أَوْ لِحَلْخَالٍ لِلْقَدَمِ
18	diamond pin	نَبُوسٌ أَمَّاسٍ
19	modern-style brooches	بُرُوشٌ (مُودِرْنِ حَدِيثِ)
20	man's ring	خَاتَمٌ رِجَالِي
21	cuff links	دُبُوسَاتٌ لِأَسْوَرَةِ الْعِصْمِ
22	tiepin	نَبُوسٌ لِرِبَاطِ الْعُنُقِ
23	diamond ring with pearl	خَاتَمٌ أَمَّاسٍ يُلُوْلُوْأَةٌ
24	modern-style diamond ring	خَاتَمٌ أَمَّاسٍ (مُودِرْنِ حَدِيثِ)
25	gemstone bracelet	سَوَّارٌ مَرْصُوعٌ بِالْأَحْجَارِ الْكُرَيْمِيَّةِ
26	asymmetrical bangle	سَوَّارٌ/أَسْوَرَةٌ بِعَظْمٍ، خَلْخَالٌ قَدَمٌ لَا مَتَمَّائِلَ
27	asymmetrical ring	خَاتَمٌ لَا مَتَمَّائِلَ
28	ivory necklace	عَقْدٌ عَاجٍ
29	ivory rose	وَرْدَةٌ عَاجٍ
30	ivory brooch	بُرُوشٌ عَاجٍ
31	jewel box (jewel case)	صَنْدُوقُ مَجُوهَرَاتٍ
32	pearl necklace	عَقْدٌ لُوْلُوْأُ
33	bracelet watch	سَاعَةٌ سَوَّارٌ/أَسْوَرَةٌ
34	coral necklace	عَقْدٌ مَرْجَانٍ
35	charms	حَلِيَّاتٌ صَغِيرَةٌ
36	coin bracelet	سَوَّارٌ/أَسْوَرَةٌ مَرْوَدَةٌ بِعَمَلَّةٍ ذَهَبِيَّةٍ
37	gold coin	عَمَلَّةٌ ذَهَبِيَّةٌ
38	coin setting	إِطَارٌ تَبْيِيتُ الْعَمَلَّةِ
39	link	وَصَلَةٌ
40	signet ring	خَاتَمٌ يُخْفَرُ عَلَيْهِ الْاسْمُ
41	engraving (monogram)	حَفْرٌ (مُونُوجِرَامٍ)
42-86	cuts and forms	أَنْمَاطُ الْقَطْعِيَّاتِ وَالْأَشْكَالِ
42-71	faceted stones	الْأَحْجَارُ ذَاتُ الْأَوْجِ
44-43	standard round cut	الْقَطْعُ الدَّائِرِيُّ الْعَادِي
44	brilliant cut	الْقَطْعُ الْعَاسِي
45	rose cut	قَطْعٌ وَرْدِي/نَجْمِي الشَّكْلِ
46	flat table	قَطْعٌ مَسْتَوٍ
47	table en cabochon	سَطْحٌ قَبَائِي
48	standard cut	قَطْعٌ عَادِي
49	standard antique cut	قَطْعٌ أُنْتِيكِي عَادِي
50	rectangular step-cut	قَطْعٌ دَرَجِي مَسْتَطِيلٌ
51	square step-cut	قَطْعٌ دَرَجِي مَرَبَعٌ
52	wedding ring box	قَطْعٌ دَرَجِي ثَمَانِي
53	octagonal cross-cut	قَطْعٌ صَلْبِي ثَمَانِي
54	standard pear-shape	قَطْعٌ بَدُولِي عَادِي
55	marquise (navette)	قَطْعٌ مَرَكِيزِي
56	standard barrel-shape	شَكْلٌ بَرَمِيلِي عَادِي
57	trapezium step-cut	قَطْعٌ دَرَجِي تَرَابِيزِي (شَكْلُ الْمَعْيِنِ الْمُنْحَرَفِ)
58	trapezium cross-cut	قَطْعٌ صَلْبِي تَرَابِيزِي
59	rhombus step-cut	قَطْعٌ شَكْلِ الْمَعْيِنِ
60-61	triangular step-cut	الْقَطْعُ الدَّرَجِي الْمثلثِي
62	hexagonal step-cut	قَطْعٌ دَرَجِي مَسَاوِي السَّاقِيْنَ
63	oval hexagonal cross- cut	قَطْعٌ صَلْبِي سُدَّاسِي بِيضِي
64	round hexagonal step- cut	قَطْعٌ دَرَجِي سُدَّاسِي مَسْتَدِيرٍ
65	round hexagonal cross- cut	قَطْعٌ صَلْبِي سُدَّاسِي مَسْتَدِيرٍ
66	chequer-board cut	قَطْعٌ كَارُوهَاتٍ
67	triangle cut	قَطْعٌ مثلثِي
68-71	fancy cuts	أَنْمَاطُ الْقَطْعِ الرَّخْضِي
72-77	ring gemstones	الْأَحْجَارُ الْكُرَيْمِيَّةُ الْخَاصَّةُ بِالْخَوَاتِمِ
72	oval flat table	وَجْهٌ مَسطحٌ بِيضِي
73	rectangular flat table	وَجْهٌ مَسطحٌ مثلثِي
74	octagonal flat table	وَجْهٌ مَسطحٌ ثَمَانِي
75	barrel-shape	شَكْلٌ بَرَمِيلِي
76	antique table en cabochon	سَطْحٌ أُنْتِيكِي قَبَائِي
77	rectangular table en cabochon	سَطْحٌ مَسْتَطِيلٌ قَبَائِي
78-81	cabochons	الْأَشْكَالُ الْقَبَائِيَّةِ
78	round cabochon (simple cabochon)	قَبَائِي دَائِرِي (قَبَائِي بَسِيطِ)
79	high dome (high cabochon)	قَبَائِي مَرْتَعٍ
80	oval cabochon	قَبَائِي بِيضِي
81	octagonal cabochon	قَبَائِي ثَمَانِي
82-86	spheres and pear- shapes	الْأَشْكَالُ الْكُرَوِيَّةُ وَالْكَمْرُورِيَّةُ
82	plain sphere	كُرْوِي عَائِدِي
83	plain pear-shape	كَمْرُورِي أَمَّاسٍ
84	faceted pear-shape	كَمْرُورِي مَتَّعَدٌ
85	plain drop	الْأَسطِجُ/الْأَرَجِ
86	faceted briolette	قَطْرَةٌ عَمَّاسَةٌ كَمْرُورِي بِيضِي مَتَّعَدٌ الْأَسطِجِ
37	Types of Dwelling	أَنْوَاعُ الْمَسَاكِنِ
1-53	detached house	مَنْزَلٌ مُفْتَصِلٌ
1	basement	طَابِقٌ تَحْتَ الْأَرْضِ (بَدْرُومِ)
2	ground floor (Am. first floor)	طَابِقٌ أَرْضِي
3	upper floor (first floor, Am. second floor)	طَابِقٌ عَلَوِي
4	loft	عَلِيَّةٌ (سُدَّرَةٌ)
5	roof, a gable roof (saddle roof, saddle- back roof)	سَطْحٌ المَبْتَنِي، سَطْحٌ جَمْلُونِي
6	gutter	مَرَّابٌ
7	ridge	خَرْفُ الْجَمْلُونِ
8	verge with bargeboards	حَافَةُ الْوَأَحِ خَشْبِيَّةٌ
9	eaves, rafter-supported eaves	إِفْرِيزٌ، رَافِرٌ مِنَ السَطْحِ
10	chimney	مِدْحَنَةٌ
11	gutter	مَرَّابٌ
12	swan's neck (swan- neck)	عُنُقٌ إِيوْزَةٌ
13	rainwater pipe (down- pipe, Am. downspout, leader)	مَاسُورَةٌ تَصْرِيفُ مَاءِ الْمَطَرِ
14	vertical pipe, a cast- iron pipe	مَاسُورَةٌ مِنَ الْحَدِيدِ الزُّهْرِ
15	gable (gable end)	جَمْلُونٌ (طَرَفُ جَمْلُونِي)
16	glass wall	جِدَارٌ زَجَاجِي
17	base course (plinth)	مَدْمَاكٌ قَاعِدَةُ المَبْتَنِي
18	balcony	بَلْكُونَةٌ، شُرْفَةٌ
19	parapet	حَاجِزُ الشَّرْفَةِ
20	flower box	صَنْدُوقُ وَضْعِ الزُّهُورِ
21	French window (French windows (opening on to the balcony)	شَبَّكَاتٌ فَرَنْسِيَّةٌ يَفْتَحُ عَلَى الشَّرْفَةِ
22	double casement window	شَبَّكَاتٌ ذَوِ صَلْفَتَيْنِ
23	single casement window	شَبَّكَاتٌ ذَوِ صَلْفَةٍ وَاحِدَةٍ
24	window breast with window sill	صَنْدَرُ النَّافِذَةِ وَبِهِ عَنَبَةٌ النَّافِذَةِ
25	lintel (window head)	رَأْسُ النَّافِذَةِ
26	reveal	حَافَةُ الجِدَارِ حَوْلَ النَّافِذَةِ (أَوْ الْبَابِ)
27	cellar window	نَافِذَةُ البَدْرُومِ/الْقَبْوِ
28	rolling shutter	شَيْشٌ قَابِلٌ لِلظُّعْمِ
29	rolling shutter frame	إِطَارُ الشَيْشِ
30	window shutter (fold- ing shutter)	شَيْشٌ النَّافِذَةِ
31	shutter catch	شَكْلُ الشَيْشِ
32	garage with tool shed	كَارَاجٌ/مَرَّابٌ بِهِ عَنَبَرٌ الْأَدَوَاتِ
33	espalier	تَعْرِيضَةٌ
34	batten door (ledged door)	بَابٌ مَصْلُوعٌ بِالْوَأَحِ خَشْبِيَّةٌ
35	fanlight with mullion and transom	شُرَاعَةٌ مَرْوَدَةٌ بِعَمُودِ تَقْسِيمِ وَرِافِدَةٍ مَسْتَعْرِضَةٍ
36	terrace	تَرَّاسٌ، شُرْفَةٌ وَاسِعَةٌ
37	garden wall with coping stones	جِدَارٌ حَدِيقَةٍ مَرْوَدٌ بِأَحْجَارِ إِفْرِيزِ
38	garden light	مِصْبَاحُ الْحَدِيقَةِ
39	steps	دَرَجَاتٌ سَلْمٌ
40	rockery (rock garden)	حَدِيقَةٌ صَخْرِيَّةٌ
41	outside tap (Am. faucet) for the hose	صَنْبُورٌ خَارِجِي لِحَرْطُومِ الْحَدِيقَةِ
42	garden hose	خَرْطُومُ الْحَدِيقَةِ
43	lawn sprinkler	مِرْبَشَةٌ العُشْبِ
44	paddling pool	خَوْضٌ مَاءٌ مَحْمَلٌ لِلْأَطْفَالِ
45	stepping stones	أَحْجَارٌ لِلخَطْوِ
46	sunbathing area (lawn)	مَنْطِقَةُ الصَّمَامِ الشَّمْسِيِّ
47	deck-chair	كُرْسِيٌّ قَمَاشٌ
48	sunshade (garden parasol)	شَمَّاسَةٌ، شَمْسِيَّةٌ
49	garden chair	كُرْسِيٌّ حَدِيقَةٍ

50 garden table طاولة الحديقة
 51 frame for beating carpets إطار لتفويض السجاجيد
 52 garage driveway ممر الجراج
 53 fence, a wooden fence سياج خشبي
 54-57 housing estate منطقة إسكان، مبنقة سكنية (housing development) منزل في مبنقة سكنية
 54 house on a housing estate (on a housing development) منزل في مبنقة سكنية
 55 pent roof (penthouse roof) سقف مئبى جانبي مَلْحَق
 56 dormer (dormer window) شباك جملون بارز
 57 garden حديقة
 58-63 terraced house منزل في صف من المنازل [one of a row of terraced houses], stepped ملتحق كل منهما بالآخر
 58 front garden حديقة أمامية
 59 hedge سياج
 60 pavement (Am. sidewalk, walkway) مئسبي جانبي، رصيف
 61 street (road) شارع (طريق)
 62 street lamp (street light) فانوس الشارع
 63 litter bin (Am. trash bin) صفيحة نفايات
 64-68 house divided into two flats (Am. house divided into two apartments, duplex house) منزل مقسم إلى شقتين (بيت دوبلكس)
 64 hip (hipped) roof سقف مُسْتَم
 65 front door باب أمامي
 66 front steps درجّات سلم أمامي
 67 canopy مظلة، تende
 68 flower window (window for house plants) نافذة لتعليق الزهور
 69-71 pair of semi-detached houses مقسمان إلى أربع شقق من جانبي واحد فقط (Am. apartments)
 69 balcony بالكون، شرفة
 70 sun lounge (Am. sun parlor) استراحة، غرفة جلوس
 71 awning (sun blind, sun-shade) ظلّة، تندة
 72-76 block of flats (Am. apartment building, apartment house) with access balconies مئسبي سكني، مجموعة شقق سكنية
 72 staircase بيت الدراج
 73 balcony بالكون، شرفة
 74 studio flat (Am. studio apartment) شقة سوديو
 75 sun roof, a sun terrace شرفة شمسية
 76 open space مبنقة مفتوحة
 77-81 multi-storey block of flats (Am. multi-story apartment build- مئسبي سكني متعدّد الطوابق

ing, multistory apartment house) 77 flat roof سطح مسطح
 78 pent roof (shed roof, lean-to roof) سقف مئبى جانبي مَلْحَق
 79 garage كراج
 80 pergola برغولا، تعرّيشة فوق ممرّ الحديقة
 81 staircase window نافذة بيت الدراج
 82 high-rise block of flats (Am. high-rise apartment building, high-rise apartment house) مئسبي سكني مرتفع
 83 penthouse مئسبي مَلْحَق
 84-86 weekend house, a timber house بيت خشبي للعطلات الأسبوعية
 84 horizontal boarding ألواح أفقية
 85 natural stone base course (natural stone plinth) مدمك من الحجر الطبيعي
 86 strip windows (ribbon windows) نافذة طويلة ضيّقة مقسّمة بقواصل خشبية
 38 Roof and Boiler Room الغلاية وحجرة
 1-29 attic عليّة، سندرة
 1 roof cladding (roof covering) غطاء السقف
 2 skylight كوة السقف، قمرية
 3 gangway سقالة مؤقتة
 4 cat ladder (roof ladder) سلم السقف
 5 chimney مدخنة
 6 roof hook خُطاف السقف
 7 dormer window شباك جملوني بارز (dormer)
 8 snow guard (roof guard) وقاء الجليد
 9 gutter مزارب
 10 rainwater pipe (down-pipe, Am. downspout, leader) مأسورة تصريف مياه الأمطار
 11 eaves إفريز، رفرف السقف
 12 pitched roof سقف مائل
 13 trapdoor باب مسنور
 14 hatch كوة
 15 ladder سلم نقالي
 16 stile مرفق درجي
 17 rung درجّة (سلم)
 18 loft (attic) عليّة، سندرة
 19 wooden partition حاجز/فاصل خشبي
 20 lumber room door باب غرفة من اللوائح الخشبية
 21 padlock قفل
 22 hook [for washing line] خُطاف [لجلب الغسيل]
 23 clothes line (washing line) حبل غسيل
 24 expansion tank for boiler خزّان التمدد الخاص بالمزجج
 25 wooden steps and درجّات خشبية ودرابزين

balustrade عارضة جانبية
 26 string (Am. stringer) درجّة سلم
 27 step مئكا الدرابزين
 28 handrail (guard rail) عمود الدرابزين
 29 baluster واقية الصواعق
 30 lightning conductor (lightning rod) مُنْظَف المدخنة
 31 chimney sweep (Am. chimney sweeper) فرشاة مزودة بنقل
 32 brush with weight حديدية الكف
 33 shoolder iron كيس للسناج
 34 sack for soot فرشاة مسرب المدخنة
 35 flue brush مكسنة
 36 broom (besom) عصا المكسنة
 37 broomstick (broom handle) نظام تسخين الماء، تسخين مركزي كامل
 38-81 hot-water heating system, full central heating حجرة المزجج/الغلاية
 38-43 boiler room نظام تسخين مركزي يعمل بحرق الكوك
 38 coke-fired central heating system باب صندوق الرماد
 39 ash box door (Am. cleanout door) كتلة مسرب المدخنة
 40 flueblock مخرّك (الجتر)، مسمار
 41 poker مدمّة
 42 rake جاروف الفحم
 43 coal shovel نظام تسخين مركزي يعمل بحرق الزيت
 44-60 oil-fired central heating system صهرج الزيت
 44 oil tank فتحة الدخول
 45 manhole غطاء فتحة الدخول
 46 manhole cover مَخْل/مَنْفَذ الصهرج
 47 tank inlet غطاء قبائي
 48 dome cover صمام قاع الصهرج
 49 tank bottom valve زيت وفود (زيت تدفئة)
 50 fuel oil (heating oil) مأسورة التهوية
 51 air-bleed duct غطاء فتحة التهوية
 52 air vent cap أنبوب مستقي الزيت
 53 oil level pipe مقياس الزيت
 54 oil gauge (Am. gage) مقياس الزيت
 55 suction pipe مأسورة ماصة
 56 return pipe أنبوب إرجاع
 57 central heating furnace فرن التسخين المركزي (فرن التسخين بالزيت)
 58-60 oil burner حارق زيتي
 58 fan مروحة
 59 electric motor مخرّك كهربائي
 60 covered pilot light ضوء إرشادي مغطى
 61 charging door بوابة الإلقام
 62 inspection window نافذة المعاينة
 63 water gauge (Am. gage) مقياس الماء
 64 furnace thermometer ترمومتر الفرن
 65 bleeder محبس، صمام صرف
 66 furnace bed قاعدة الفرن
 67 control panel لوحة التحكم
 68 hot water tank (boiler) صهرج الماء الساخن (الغلاية)

69 overflow pipe أنبوب الفائض
 70 safety valve صمام تنظيم
 71 main distribution pipe أنبوب التوزيع الرئيسي
 72 lagging مواد عارلة لتغليف الأنابيب
 73 valve صمام
 74 flow pipe أنبوب التدفق (الماء الصاعد من الغلاية)
 75 regulating valve صمام تنظيم
 76 radiator منبّع
 77 radiator rib ضلع المنبّع
 78 room thermostat ترموستات الحجرة
 79 return pipe (return) أنبوب إرجاع
 80 return pipe [in two-pipe system] أنبوب إرجاع [في النظام ثنائي الأنابيب]
 81 smoke outlet (smoke extract) فتحة خروج الدخان
 39 Kitchen المطبخ
 1 microwave oven فرن ميكروويف (microwave)
 2 refrigerator (fridge, Am. icebox) ثلاجة
 3 refrigerator shelf رف الثلاجة
 4 salad drawer درج الخضروات
 5 freezing compartment حجرة الأظمة المجمدة
 6 bottle rack (in storage door) رف القنينات (في باب الثلاجة)
 7 upright freezer فريزر رأسي
 8 wall cupboard, a kitchen cupboard دولاب مطبخ
 9 base unit وحدة القاعدة
 10 cutlery drawer درج لوازم المائدة (من سكاكين وقضبان)
 11 work surface (worktop) نضد الشغل
 12-17 cooker unit وحدة الطبخ، جهاز المطبخ
 12 electric cooker (also: gas cooker) طباخ (بوتوجاز) كهربائي
 13 oven فرن
 14 oven window نافذة الفرن
 15 hotplate, an automatic high-speed plate مؤقّد (عين) البوتوجاز
 16 kettle (whistling kettle) غلاية
 17 cooker hood غطاء جهاز المطبخ
 18 pot holder حامل أواني المطبخ
 19 pot holder rack علاقة حامل أواني المطبخ
 20 kitchen clock ساعة المطبخ
 21 timer جهاز توقيت
 22 hand mixer خلاط يدي
 23 whisk مئففة (البيض، الخ.)
 24 electric coffee grinder مئففة بنّ كهربائية (ذات مئاصيل دوارة)
 25 lead سلك توصيل
 26 wall socket مقياس جداري
 27 corner unit وحدة الزاوية
 28 revolving shelf رف دوار
 29 pot (cooking pot) وعاء/إناء للطهي
 30 jug إبريق

- 31 spice rack رف التوابل
 32 spice jar مرطمان/برطمان توابل
33-36 sink unit وحدة حوض الغسيل
 33 dish drainer حامل تجفيف الأطباق
 34 tea plate طبق صغير
 35 sink حوض المطبخ
 36 water tap (*Am.* faucet); here: mixer tap (*Am.* mixing faucet) حنفية/صنبور الماء، هنا صنبور خلط
 37 pot plant, a foliage plant نبات زينة فى اصيص
 38 coffee maker جهاز إعداد القهوة
 39 kitchen lamp مصباح المطبخ
 40 dishwasher (dish-washing machine) غسالة أطباق
 41 dish rack رف أطباق
 42 dinner plate طبق واسع مقلع
 43 kitchen chair كرسي مطبخ
 44 kitchen table طاولة مطبخ
 45 toaster توستر، مخصصة خبز كهربائية

- 29 cake tin صينية كعك
 30 microwave oven فرن ميكروويف (microwave)
 31 timer جهاز توقيت
 32 rotisserie مشواة، شواية
 33 spit سفود، سبيخ
 34 electric waffle iron مخصصة "وقل" كهربائية
 35 sliding-weight scales ميزان مقلع ذو ثقل انزلاقي/متحرك
 36 sliding weight ثقل منزلقي/انزلاقي
 37 scale pan كفة الميزان
 38 food slicer مشرحة الطعام
 39 mincer (*Am.* meat chopper) فرامة اللحم، فرمة
 40 blades ريش/أضال المفرمة
 41 chip pan وعاء الشرائح
 42 basket سلة
 43 potato chipper ماكينة تقطيع البطاطس إلى شرائح ورقائق
 44 yoghurt maker جهاز إعداد الزبادى
 45 mixer خلط
 46 blender المولف، جهاز المزج
 47 bag sealer جهاز إحكام قفل الأكياس البلاستيكية

40 Kitchen Utensils and Appliances

أدوات وأجهزة المطبخ

- 1 general-purpose roll holder with kitchen roll (paper towels) حامل مناشيف ورقية متعدد الأغراض
 2 set of wooden spoons طاقم ملاعق خشبية
 3 mixing spoon ملعقة تقليب (كشافة)
 4 frying pan قلاية، إناء القلي
 5 Thermos jug ترمس
 6 set of bowls طاقم سلطانيات/زبونات
 7 cheese dish with glass cover طبق جبن له غطاء زجاجي
 8 three-compartment dish صينية مقسمة إلى ثلاث حجرات
 9 lemon squeezer عصارة ليمون
 10 whistling kettle غلاية مياه (تصنر صغيراً عند الغلي)
 11 whistle صفارة تحذير
12-16 pan set طاقم أواني الطهي
 12 pot (cooking pot) وعاء/قدر طبخ
 13 lid غطاء
 14 casserole dish قدر فطاري، برام
 15 milk pot لبنانة، وعاء اللبن
 16 saucepan كسرولة
 17 immersion heater مسخن كهربى غاطس
 18 corkscrew [with levers] بريمة نزع السدادات الفلينية [ذات أذرع]
 19 juice extractor عصارة
 20 tube clamp (tube clip) ماسك الأنبوب
 21 pressure cooker جهاز طبخ يعمل بالضغط
 22 pressure valve صمام ضغط
 23 fruit preserver آلية حفظ الفاكهة
 24 removable rack حامل قابل للفصل
 25 preserving jar إبريق حفظ (مواد غذائية)
 26 rubber ring حلقة مطاطية
 27 spring form قالب مزود بنايض
 28 cake tin صينية كعك

41 Hall

- 1-29 hall (entrance hall) الصالة (رؤمة المنزل)
 1 coat rack حمالة، علاقة الملابس
 2 coat hook خنطاف تعليق
 3 coat hanger شماعة ملابس
 4 rain cape رداء خارجي فضفاض
 5 walking stick واق من المطر
 6 hall mirror عكاز، عصا المشي
 7 telephone امرأة الصالة
 8 chest of drawers for shoes, etc. هاتف، تليفون
 9 drawer خزانة ذات أذراع لحفظ الأحذية، الخ.
 10 seat درج
 11 ladies' hat مقعد
 12 telescopic umbrella قبة نسائية
 13 tennis rackets (tennis racquets) مظلة/مداخلة الأجزاء
 14 umbrella stand مئزر/لبعة التنس الأرضي
 15 umbrella حامل الشماسي
 16 shoes مظلة، شمسية
 17 briefcase زوج من الأحذية
 18 fitted carpet حقيبة يد
 19 fuse box بناط/سجادة تعطي الأرضية بالكامل
 20 miniature circuit صندوق الفيوزات الكهربائية
 21 tubular steel chair قاطع تيار صغير المدى
 22 stair light كرسي معدني ذو هيكل أنبوبى الشكل
 23 hand light مصباح الذراج/السلم
 24 step منكأ الدراج/السلم
 25 front door درجة سلم
 26 door frame باب أمامي
 إطار الباب

- 27 door lock قفل الباب
 28 door handle مقبض الباب
 29 spyhole عين سخرية

42 Living Room

- 1-20 wall units (shelf units) وحدات حائطية (وحدات أرفف)
 2 side wall جدار جانبي
 3 bookshelf رف كتب
 4 row of books صف من الكتب
 5 display cabinet unit خزانة قاعدة الدواليب
 6 cupboard base unit خزانة، صوان
 7 cupboard unit ثقلان
 8 television set (TV set) جهاز ستريو
 9 stereo system (stereo equipment) سماعة صوت، مكبر صوت
 10 speaker (loudspeaker) حامل التلويون
 11 pipe rack غليون
 12 pipe غليون
 13 globe كرة أرضية
 14 brass kettle غلاية نحاسية
 15 telescope تليسكوب
 16 mantle clock ساعة رف
 17 bust تمثال نصفي
 18 encyclopaedia [in several volumes] موسوعة [فى عدة مجلدات]
 19 room divider حاجز/فاصل الغرفة
 20 drinks cupboard خزانة/صوان المشروبات (بار)

21-26 upholstered suite (seating group)

- 21 armchair كرسي مسندين
 22 arm ذراع، مسند
 23 seat cushion (cushion) وسادة مقعد
 24 settee كنية/أريكة منجدة
 25 back cushion مسند/وسادة الظهر
 26 [round] corner section جزء الزاوية [المستدير]
 27 scatter cushion طاولة القهوة/الشاى
 28 coffee table مفضة السجائر
 29 ashtray صينية
 30 tray صينية
 31 whisky (whiskey) bottle زجاجة ويسكي
 32 soda water bottle (soda bottle) زجاجة ماء الصودا
33-34 dining set طاقم طاولة الطعام
 33 dining table طاولة طعام
 34 chair كرسي
 35 net curtain ستارة شبكية
 36 indoor plants (house-plants) نباتات منزلية/داخلية

43 Bedroom

- 1 wardrobe (*Am.* clothes closet) دولاب/صوان الملابس
 2 linen shelf رف البياضات
 3 cane chair كرسي من القش والخيزران
4-13 double bed (sim.: double divan) سرير مزدوج/لشخصين

- 4-6 bedstead هيكل السرير
 4 foot of the bed اللوحة السفلية
 5 bed frame منضب
 6 headboard اللوحة الرأسية
 7 bedspread مفرش/غطاء السرير
 8 duvet, a quilted duvet دوڤيت، لحاف
 9 sheet, a linen sheet ملاءة
 10 mattress, a foam mattress with drill tick مرتبة، حشية (لها كيس من التكتان أو القطن)
 11 [wedge-shaped] bolster مخدة، وسادة [السفينة الشكل]
12-13 pillow وسادة، مخدة
 12 pillowcase (pillowslip) كيس مخدة/وسادة
 13 tick غلاف الوسادة
 14 bookshelf [attached to the headboard] رف كتب [معلق باللوحة الرأسية]
 15 reading lamp مصباح للقراءة
 16 electric alarm clock ساعة كهربائية مزودة ببنية
 17 bedside cabinet خزانة بجانب السرير (كومودينو)
 18 drawer درج
 19 bedroom lamp مصباح غرفة النوم
 20 picture صورة
 21 picture frame إطار/برواز الصورة
 22 bedside rug سجادة/سباط صغير
 23 fitted carpet سباط (يغطي الأرضية بالكامل)

- 24 dressing stool كرسي المرزبة/التشريحة
 25 dressing table المرزبة، التشريحة
 26 perfume spray مرشحة عطر
 27 perfume bottle قنينة عطر
 28 powder box علبة بودرة
 29 dressing-table mirror (mirror) مرآة المرزبة

44 Dining Room

- 1-11 dining set طاقم طاولة الطعام**
 1 dining table مائدة/طاولة الطعام
 2 table leg قائمة/رجل الطاولة
 3 table top سطح الطاولة
 4 place mat مفرش صغير (يوضع أمام كل جالس)
 5 place (place setting, cover) مؤضع/مكان (الأحد الجالسين)
 6 soup plate (deep plate) طبق الحساء (طبق عميق)
 7 dinner plate طبق واسع مقلع
 8 soup tureen سلطانية الحساء
 9 wingglass كأس
 10 dining chair كرسي طاولة الطعام
 11 seat مقعد الكرسي
 12 lamp (pendant lamp) مصباح (مادلى من السقف)
 13 curtains ستائر
 14 net curtain ستارة شبكية
 15 curtain rail قضيب تعليق الستارة
 16 carpet سجادة، سباط
 17 wall unit وحدة حائطية
 18 glass door باب زجاجي
 19 shelf رف
 20 sideboard بوفيه، صوان لوازم

21	cutlery drawer	المائدة دُرْج لَوَازِم المائدة
22	linen drawer	دُرْج البِيَّاضَات (مَقَارِش وفوط المائدة)
23	base	قاعدة
24	round tray	صينية مُستديرة
25	pot plant	نبات (زينة) في أصيص
26	china cabinet (display cabinet)	دولاب نيش
27	coffee set (coffee service)	طاقم القَهْوَة
28	coffee pot	دَلَّة/رَكْوَة القَهْوَة
29	coffee cup	فَيْجَان القَهْوَة
30	saucer	طَبَق الفَيْجَان
31	milk jug	إِبْرِيْق اللبن (المائنة)
32	sugar bowl	سُكْرِيَّة (وعاء السُكَّر)
33	dinner set (dinner service)	طاقم صيني للمائدة
45 Tableware and Cutlery		
1	dining table	مائدة/طاولة الطَّعام
2	tablecloth, a damask cloth	مفرش المائدة، مفرش ديباج
3-12	place (place setting, cover)	مَوْضِع جالسٍ إلي المائدة
3	bottom plate	طَبَق سفلي
4	dinner plate	طَبَق واسع مُقَطَّع
5	deep plate (soup plate)	طَبَق عميق (طَبَق حَسَاء)
6	dessert plate (dessert bowl)	طَبَق الطَّو (الْحَلْوَى أو الفاكهة)
7	knife and fork	سكين وشوكة
8	fish knife and fork	سكين وشوكة الأسماك
9	serviette (napkin, table napkin)	فوطَة المائدة
10	serviette ring (napkin ring)	حلقة فوط المائدة
11	knife rest	مسند السكاكين
12	wineglasses	كؤوس الخمر
13	place card	بطاقة (تُضَمَّل اسم صاحب المَوْضِع)
14	soup ladle	مِغْرَقَة الحَسَاء
15	soup tureen	سلطانية الحساء
16	candelabra	شمعدان
17	sauceboat (gravy boat)	قارب الصلصة/المرق
18	sauce ladle (gravy ladle)	مِغْرَقَة الصلصة/المرق
19	table decoration	زينة المائدة
20	bread basket	سلة الخبز
21	roll	رغيف إفرنجي صغير
22	slice of bread	كسرة/شريحة خبز
23	salad bowl	طَبَق السلطة
24	salad servers	شوكة وملقعة تقديم السلطة
25	vegetable dish	طَبَق الخضروات
26	meat plate (Am. meat platter)	طَبَق اللحوم
27	roast meat (roast)	لحم مشوي (شواء)
28	fruit dish	طَبَق الفاكهة
29	fruit bowl	طَبَق فاكهة (صغير)
30	fruit (stewed fruit)	فاكهة (فاكهة مطبوخة)
31	potato dish	طَبَق البطاطس
32	serving trolley	تrolley لتقديم الطَّعام
33	vegetable plate (Am. vegetable platter)	طَبَق الخضروات
34	toast	خبز مُحَمَّص
35	cheeseboard	قالب الجبن
36	butter dish	طَبَق الزبد
37	open sandwich	شطيرة
38	filling	حشو
39	sandwich	سندوتش
40	fruit bowl	طَبَق فاكهة
41	almonds (also: potato crisps, peanuts)	لوز (أيضاً رقائق البطاطس، فول سوداني)
42	oil and vinegar bottle	قنينة الزيت والخل
43	ketchup (catchup, catsup)	كاتشب (صلصة من الطماطم أو الفطير)
44	sideboard	بوفيه (ضوان جانبي)
45	electric hotplate	موقد كهربائي
46	corkscrew	فتاحة سدادات فلينية
47	crown cork bottle opener (crown cork opener), a bottle opener	فتاحة قنينات ذات سدادات فلينية
48	liqueur decanter	دورق للخمر
49	nutcrackers (nut-cracker)	كسارة بندق
50	knife	سكين
51	handle	مقبض
52	tang (tongue)	لسان السكين
53	ferrule	طوق معدني
54	blade	نصل
55	bolster	سناد
56	back	الطرف الخلفي للنصل
57	edge (cutting edge)	حافة (الحافة القاطعة)
58	fork	شوكة
59	handle	مقبض
60	prong (tang, tine)	إحدى شعب الشوكة
61	spoon; here: dessert spoon, soup spoon	ملقعة (ملقعة متوسطة الحجم، ملقعة شووية/حساء) مقبض
62	handle	مقبض
63	bowl	طَبَق الملقعة
64	fish knife	سكين الأسماك
65	fish fork	شوكة الأسماك
66	dessert spoon (fruit spoon)	ملقعة الحلوى أو الفاكهة
67	salad spoon	ملقعة السلطة
68	salad fork	شوكة السلطة
69-70	carving set (serving cutlery)	طاقم تقطيع الشواء
69	carving knife	سكين تقطيع الشواء
70	serving fork	شوكة تقديم الشواء
71	fruit knife	سكين الفاكهة
72	cheese knife	سكين الجبن
73	butter knife	سكين الزبد
74	vegetable spoon, a serving spoon	ملقعة تقديم الخضروات
75	potato server (serving spoon for potatoes)	ملقعة تقديم البطاطس

76	cocktail fork	شوكة الكوكتيل
77	asparagus server (asparagus slice)	ملقعة تقديم الهليون
78	sardine server	شوكة تقديم السردين
79	lobster fork	شوكة تقديم جراد البحر
80	oyster fork	شوكة تقديم المحار
81	caviare knife	سكين تقديم الكافيار
82	white wine glass	كأس نبيذ أبيض
83	red wine glass	كأس نبيذ أحمر
84	sherry glass (madeira glass)	كأس نبيذ الشري
85-86	champagne glasses	كأسا الشمبانيا
85	tapered glass	كأس مستدقة الطرف
86	champagne glass, a crystal glass	كأس شمبانيا كريستال
87	rummer	فِدَاح أو كُوب كبير
88	brandy glass	كأس البراندي
89	liqueur glass	كأس مشروب مُسَكَّر
90	spirit glass	كأس مشروب كحولي
91	beer glass	كوب البيرة (الجعة)
46 Flat (Apartment)		
1	wall units (shelf units)	الشفقة
2	wardrobe door (Am. clothes closet door)	وحدات حائطية (أرفف) باب ضوان الملابس
3	body	جسم الصوان
4	side wall	جدار جانبي
5	trim	حافة خشبية زُخرفية
6	two-door cupboard unit	خزانة ذات بابين
7	bookshelf unit (book-case unit) [with glass door]	وحدة رف الكتب [ذات باب زجاجي]
8	books	كُتُب
9	display cabinet	دولاب نيش
10	record player	جهاز بيك أب، جهاز تشغيل الأسطوانات
11	drawer	دُرْج
12	decorative biscuit tin	علبة بسكويت زُخرفية
13	soft toy animal	لُعْبَة طرية على شكل حيوان
14	television set (TV set)	تلفاز
15	records (discs)	تسجيلات
16	bed unit	وحدة السرير
17	scatter cushion	وسادة مسطوية
18	bed unit drawer	دُرْج السرير
19	bed unit shelf	رف السرير
20	magazines	مجلات
21	desk unit (writing unit)	وحدة المكتب
22	desk	مكتب، طاولة الكتابة
23	desk mat (blotter)	سُتَافَة
24	table lamp	مصباح طاولة
25	wastepaper basket	سلة مهملات
26	desk drawer	دُرْج المكتب
27	desk chair	كرسي المكتب
28	arm	مسند/ذراع الكرسي
29	kitchen unit	وحدة المطبخ
30	dump cupboard	خزانة حائط
31	cooker hood	غطاء الطبخ/جهاز الطبخ
32	electric cooker	جهاز طبخ كهربائي
33	refrigerator (fridge,	ثلاجة

Am. icebox)	Am. icebox)	
34	dining table	طاولة الطعام
35	table runner	مفرش مائدة مَزَخْرَف
36	oriental carpet standard lamp	سجادة/سباط شرقي مصباح أعلى حامل عمودي
47 Children's Room (Nursery)		غُرْفَة الأطفال (حجرة نوم الطفل)
1	children's bed, a bunkbed	سرير طفل
2	storage box	صندوق تخزين
3	mattress	حصية، مرتبة
4	pillow	مخددة، وسادة
5	ladder	سلم تقالي
6	soft toy elephant, a cuddly toy animal	لُعْبَة طرية على شكل فيل
7	soft toy dog	لُعْبَة طرية على شكل كلب
8	cushion	وسادة
9	fashion doll	دمية أزياء
10	doll's pram	عربة أطفال للدمية
11	sleeping doll	دمية نائمة
12	canopy	غطاء، مظلة
13	blackboard	سبورة
14	counting beads	خرزات تعليم العد
15	toy horse for rocking and pulling	حصان لُعْبَة هزاز
16	rockers	مَهْرَات الحصان
17	children's book	كتاب أطفال
18	pendium of games	مجموعة من الألعاب
19	ludo	لُعْبَة اللودو
20	chessboard	رَقْعَة الشطرنج
21	children's cupboard	دولاب ملابس أطفال
22	linen drawer	دُرْج البِيَّاضَات
23	drop-flap writing surface	سطح كتابة قلاب
24	notebook (exercise book)	دفتر (كتاب التصارين)
25	school books	كُتُب مدرسية
26	pencil (also: crayon, felt tip pen, ballpoint pen)	قلم رصاص (أيضاً قلم حبر سائل ذو طرف لبادي أو طرف كروي)
27	toy shop	متجر اللعاب
28	counter	كاؤنتر (منضدة التاجر)
29	spice rack	حامل قنينات التوابل
30	display	مغروضات
31	assortment of sweets (Am. candies)	حلويات مُشَكَّلَة (حلوى)
32	bag of sweets (Am. candies)	كيس حلوى
33	scales	ميزان
34	cash register	سُمبَكَة النقد
35	toy telephone	هاتف لُعْبَة
36	shop shelves (goods shelves)	أرفف المتجر (أرفف البضائع)
37	wooden train set	طاقم قطار خشبي لُعْبَة
38	dump truck, a toy lorry (toy truck)	شاحنة قلاب لُعْبَة
39	tower crane	ونش/مرفاع بُرْجِي
40	concrete mixer	خلّاط خرسانة

41 large soft toy dog	لُعْبَةٌ طرية على شكل كلب كبير	faucet) for hot and cold water	والبارد
42 dice cup	كأس النرد	3 foam bath (bubble bath)	حمام فقاعات
48 Kindergarten (Day Nursery)	رُوضَةُ الأَطْفَالِ (الحضّانة النّهاريّة)	4 toy duck	بطة لُعْبَة
1-20 pre-school education (nursery education)	التعليم قبل بلوغ سنّ المدرّسة (مرحلة الرُوضَة)	5 bath salts	أملاح الحمام
1 nursery teacher	مدرّسة الرُوضَة	6 bath sponge (sponge)	امسّغيّة الحمام
2 nursery child	طفّل الرُوضَة	7 bidet	مشطّفة
3 handicraft	شغلّ يدويّ	8 towel rail	حامل المنشفة/العوطية
4 glue	صمغ، غراء	9 terry towel	منشفة وبریّة
5 watercolour (<i>Am.</i> watercolor) painting	رسم بالوان مائيّة	10 toilet roll holder (<i>Am.</i> bathroom tissue holder)	حامل ورق الحمام
6 paintbox	صندوق الألوان	11 toilet paper (<i>coll.</i> loo paper, <i>Am.</i> bathroom tissue)	ورق حمام
7 paintbrush	فرشاة الألوان	12 toilet (lavatory, W.C., <i>coll.</i> loo)	دورة المياه (مرحاض)
8 glass of water	كوب ماء	13 toilet pan (toilet bowl)	سلطانيّة المرحاض
9 jigsaw puzzle (puzzle)	أحجية الصور المقطوعة	14 toilet lid with terry cover	غطاء مرحاض مزود بغطاء ويريّ
10 jigsaw puzzle piece	قطعة من أحجية الصور المقطوعة	15 toilet seat	مقعد المرحاض
11 coloured (<i>Am.</i> colored) pencils (wax crayons)	أقلام ملوّنة	16 cistern	صندوق الطرد
12 modelling (<i>Am.</i> modeling) clay (Plasticine)	صلصال	17 flushing lever	ذراع تشغيل صندوق الطرد
13 clay figures (Plasticine figures)	مُصنّعات/أشكال صلصاليّة	18 pedestal mat	فرشاة القاعدة
14 modelling (<i>Am.</i> modeling) board	لوحة صنع المصنّعات الصلصاليّة	19 tile	بلاطة
15 chalk (blackboard chalk)	طباشير (طباشير السبورة)	20 ventilator (extraction vent)	فتحة تهوية
16 blackboard	سبورة	21 soap dish	وعاء الصابونة (صابونة)
17 counting blocks	مكعبات تعليم العدّ	22 soap	صابونة يد
18 felt pen (felt tip pen)	قلم طرفه لبادي	23 hand towel	منشفة يد
19 shapes game	لُعْبَة الأشكال	24 washbasin	حوض غسل الأيدي
20 group of players	مجموعة من اللاعبين	25 overflow	فتحة تصريف المياه الفائضة
21-32 toys	لُعْبَة	26 hot and cold water tap	صنّور ماء ساخن وبارد
21 building and filling cubes	مكعبات البناء والصفو	27 washbasin pedestal with trap (anti-syphon trap)	قاعدة حوض الغسيل مزودة بمجسّيس
22 construction set	طاقم تركيب	28 tooth glass (tooth mug)	كوب غسل الأسنان
23 children's books	كُتُب أطفال	29 electric toothbrush	فرشاة أسنان كهربائيّة
24 doll's pram, a wicker pram	عربة اللُعْبَة	30 detachable brush heads	رؤوس فرشاة قابلة للفصل
25 baby doll	دُمّيّة على شكل طفل رضيع	31 mirrored bathroom cabinet	خزانة حمام مزودة بمرآة
26 canopy	غطاء، مظلة	32 fluorescent lamp	لُعْبَة فلورستنت
27 building bricks (building blocks)	مكعبات البناء	33 mirror	مرآة
28 wooden model building	نموذج مبنى خشبيّ	34 drawer	درج
29 wooden train set	طاقم قطار خشبيّ	35 powder box	علبة البودرة
30 rocking teddy bear	دُبّ فُرّان	36 mouthwash	غسول للفم
31 doll's pushchair	كُرسيّ دُمّيّة يتدفع للأمام	37 electric shaver	ماكينة حلاقة كهربائيّة
32 fashion doll	دُمّيّة أزياء	38 aftershave lotion	غسول بعد الحلاقة
33 child of nursery school age	طفل في سنّ الرُوضَة	39 shower cubicle	حجيرة الدشّ
34 cloakroom	غُرْفَة العباءات والمعاطف	40 shower curtain	ستارة الدشّ
49 Bathroom and Toilet	الحمام ونورة المياه	41 adjustable shower head	رأس دشّ قابل للتعديل
1 bath	حوض الاستحمام (البانيو)	42 shower nozzle	فوهة الدشّ
2 mixer tap (<i>Am.</i> mixing)	صنّور خلاط للماء الساخن	43 shower adjustment rail	قضيب تعديل ارتفاع الدشّ
		44 shower base	قاعدة حجيرة الدشّ
		45 waste pipe	ماسورة تصريف
		46 bathroom mule	خف/شيشب الحمام
		47 bathroom scales	ميزان حمام
		48 bath mat	فرشاة حمام

49 medicine cabinet	خزانة أدوية	36 stile	مؤبّع درجيّ
50 Household Appliances and Utensils	الأجهزة والأدوات المنزليّة	37 prop	دُعامة، مسند
1-20 irons	المكايي	38 tread (rung)	مُوطي (درجّة)
1 electric ironing machine	ماكينة كي كهربائيّة	39-43 shoe care utensils	أدوات العناية بالأحذية
2 electric foot switch	مفتاح كهربيّ يتم تشغيله بالقدم	39 tin of shoe polish	علبة ورنيش أحذية
3 roller covering	غطاء الأسطوانة	40 shoe spray, an impregnating spray	ورنيش سائل يرش على الأحذية
4 ironing head	رأس الكيّ	41 shoe brush	فرشاة أحذية
5 sheet	ملاءة	42 brush for applying polish	فرشاة دهن الورنيش
6 electric iron (light-weight iron)	مكواة كهربائيّة (مكواة خفيفة)	43 tube of shoe polish	أنيوب ورنيش أحذية
7 sole-plate	نعل المكواة	44 clothes brush	فرشاة ملابس
8 temperature selector	فُرص اختيار درجة الحرارة	45 carpet brush	فرشاة سجاجيد
9 handle (iron handle)	مقبض (مقبض المكواة)	46 broom	مكسّة
10 pilot light	ضوء إرشاديّ	47 bristles	هلب شعر خشن
11 steam, spray, and dry iron	مكواة الكيّ بالبخار ورزاز الماء والكيّ الجاف	48 broom head	رأس المكسّة
12 filling inlet	فُتحة إدخال الماء	49 broomstick (broom handle)	عصا المكسّة
13 spray nozzle for dampening the washing	فوهة الرزاز لترطيب الغسيل	50 screw thread	أسنان اللولب
14 steam hole (steam slit)	فُتحة خروج البخار	51 washing-up brush	فرشاة الكُشّ
15 ironing table	طاولة الكيّ	52 pan (dustpan)	جاروف جمع التراب
16 ironing board (ironing surface)	سطح الكيّ	53-86 floor and carpet cleaning	تنظيف الأرضيّة والسجاد
17 ironing-board cover	غطاء سطح الكيّ	53 brush	فرشاة
18 iron well	حامل المكواة، برّ المكواة	54 bucket (pail)	دلو (جرّدل)
19 aluminium (<i>Am.</i> aluminum) frame	إطار من الألومنيوم	55 floor cloth (cleaning rag)	ممسحة
20 sleeve board	لوحة كيّ الأحكام	56 scrubbing brush	فرشاة البلاط
21 linen bin	وعاء الغسيل	57 carpet sweeper	مكسّة سجاجيد
22 dirty linen	غسيل مُتسخ	58 upright vacuum cleaner	مكسّة كهربائيّة عموديّة
23-34 washing machines and driers	الغسالات الكهربائيّة والمجفّفات	59 changeover switch	مفتاح تحوّل
23 automatic washing machine	آليّة	60 swivel head	رأس تدور على محور
24 washing drum	أسطوانة الغسالة	61 bag-full indicator	مؤشر امتلاء كيس الأتربة
25 safety latch (safety catch)	مزلاج تثبيت للأمان	62 dust bag container	حاوية كيس الأتربة
26 program selector control	فُرص التحكم في اختيار البرنامج	63 handle	مقبض
27 front soap dispenser [with several compartments]	موزع صابون أمامي [متعدد الحجيرات]	64 tubular handle	ذراع أنبوبي
28 tumble drier	مجفّف دوّار	65 flex hook	خطاف مرّن/قابل للإنشاء
29 drum	أسطوانة، برميل	66 wound-up flex	كيبيل مفرول مرّن
30 front door with ventilation slits	باب أمامي ذو فتحات تهوية	67 all-purpose nozzle	منفث لجميع الأغراض
31 worktop	سطح الشغلّ	68 cylinder vacuum cleaner	مكسّة كرويّاتية اسطوانيّة
32 airt	منشر غسيل	69 swivel coupling	وصلّة ترّاوحيّة
33 clothes line (washing line)	حبل نشر الغسيل	70 extension tube	أنبوب تمديد
34 extending airt	منشر غسيل امتداديّ	71 floor nozzle (<i>sim.</i> : carpet beater nozzle)	منفث تنظيف الأرضيّة
35 stepladder (steps), an aluminium (<i>Am.</i> aluminum) ladder	سلم نقاليّ	72 suction control	مفتاح التحكم في الشفط
		73 bag-full indicator	مؤشر امتلاء كيس الأتربة
		74 sliding fingertip suction control	مفتاح انزلاقي للتحكم في الشفط
		75 hose (suction hose)	خرطوم (خرطوم الشفط)
		76 combined carpet sweeper and shampooer	ماكينة كُشّ السجاجيد وغسيتها بالشامبو
		77 electric lead (flex)	كيبيل مفرول مرّن
		78 plug socket	مقبس
		79 carpet beater head (<i>sim.</i> : shampooing head, brush head)	رأس كُشّ السجاجيد بالشامبو
		80 all-purpose vacuum	مكسّة كرويّاتية لجميع

cleaner (wet and dry vacuum cleaner)	الأغراض (مكشّسة كهربائية للكشّ والتمشج)
81 castor	دولاب (عجلة) صغير
82 motor unit	وحدة المحرك (الموتور)
83 lid clip	مشبك الغطاء
84 coarse dirt hose	خراطوم شفط القاذورات الخشنة
85 special accessory (special attachment) for coarse dirt	وصلة خاصة للقاذورات الخشنة
86 dust container	حاوية التراب
87 shopper (shopping trolley)	تروولي متحرك

51 Flower Garden

1-35 flower garden	حديقة الأزهار
1 pergola	حديقة الأزهار
2 deck-chair	ظلة نفقبة، تمريشة
3 lawn rake (wire-tooth rake)	كزبي قماش قابل للطي منطط العشب، مبدشة
4 garden rake	منطط الحديقة
5 Virginia creeper (American ivy, wood-bine), a climbing plant (climber, creeper)	لبلاية عدراء، كرمة، نبات متسلق
6 rockery (rock garden)	حديقة صخرية
7 rock plants; <i>varieties</i> : stonecrop (wall pepper), houseleek, dryas, aubretia	نباتات الورداء، أنواعها سيديوم (سيديوم خريف) مخلدة، أبرياسية
8 pampas grass	ورديمة الميباس
9 garden hedge	سياج الحديقة
10 blue spruce	رايتجية شائكة
11 hydrangeas	هدرنجيات
12 oak (oak tree)	بلوط (شجرة بلوط)
13 birch (birch tree)	بتولا (شجرة القضبان)
14 garden path	ممر الحديقة
15 edging	حافة
16 garden pond	بركة الحديقة
17 flagstone (stone slab)	بلاطة حجرية
18 water lily	زنبق الماء، نيلوفر
19 tuberosus begonias	بغونية عشقولية
20 dahlias	أضاليا
21 watering can (<i>Am.</i> sprinkling can)	مرشحة السقي

22 weeding hoc	معرق تعشيب
23 lupin	ترمس
24 marguerites (oxeye daisies, white oxeye daisies)	لؤلؤية، مرغرينا
25 standard rose	وردة عادية
26 gerbera	جربارة
27 iris	سوسن
28 gladioli	سيف الغراب، دلبوث
29 chrysanthemums	أقحوان
30 poppy	خشخاش
31 blazing star	النجم المتوهج
32 snapdragon (antirrhinum)	أنف العجل، زهرة الخطم

33 lawn	مرج
34 dandelion	طرخشقون
35 sunflower	عباد/دوار الشمس

52 Fruit and Vegetable Garden

1-32 allotment (fruit and vegetable garden)	بستان الفواكه والخضروات
1, 2, 16, 17, 29 dwarf fruit trees (espaliers, espalier fruit trees)	بستان الفواكه والخضروات
1, 2, 16, 17, 29 dwarf fruit trees (espaliers, espalier fruit trees)	أشجار فواكه قزمية
1 quadruple cordon, a wall espalier	شجرة مقلّمة رباعياً
2 vertical cordon	شجرة مقلّمة عمودياً
3 tool shed (garden shed)	كشك الأدوات/الحديقة
4 water butt (water barrel)	برميل ماء
5 climbing plant (climber, creeper, rambler)	نبات متسلق (نبات زاحف)
6 compost heap	كومة من السماد العضوي
7 sunflower	عباد الشمس
8 garden ladder (ladder)	سلم نقالي الحديقة (سلم)
9 perennial (flowering perennial)	نبته متعمرة
10 garden fence (paling fence, paling)	سياج الحديقة
11 standard berry tree	شجرة عنبية عادية
12 climbing rose (rambling rose) on the trellis arch	وردة متسلقة على قوس معترش شبكي
13 bush rose (standard rose tree)	شجرة ورد عادية
14 summerhouse (garden house)	استراحة الحديقة
15 Chinese lantern (paper lantern)	فانوس من الورق
16 pyramid tree (pyramidal tree, pyramid), a free-standing espalier	شجرة هرمية، مسندة حرة النمو
17 double horizontal cordon	شجرة مزدوجة مقلّمة أفقياً
18 flower bed, a border	زهراء، حد
19 berry bush (gooseberry bush, currant bush)	شجرة عنبية (كشمش شاك)
20 concrete edging	حافة خرسانية
21 standard rose (standard rose tree)	وردة عادية (شجرة ورد عادية)
22 border with perennials	حاشية ذات نبات معمر
23 garden path	ممر الحديقة
24 allotment holder	مالك (أو مستأجر) الحديقة
25 asparagus patch (asparagus bed)	زهراء/حوض الهليون
26 vegetable patch (vegetable plot)	رقعة زراعة الخضروات
27 scarecrow	خيال المأتم، نطار
28 runner bean (<i>Am.</i> scarlet runner), a bean plant on poles (bean poles)	فاصولية إسبانية، نبات الفاصوليا على أعمدة

29 horizontal cordon	شجرة مقلّمة أفقياً
30 standard fruit tree	شجرة فواكه عادية
31 tree stake	ود تثبيت الشجرة
32 hedge	سياج

53 Indoor Plants (Houseplants)

1 pelargonium (crane's bill), a geranium	نباتات داخلية (نباتات المساكين)
1 pelargonium (crane's bill), a geranium	لقلمي
2 passion flower (Passiflora), a climbing plant (climber, creeper)	زهرة الآلام، نبات متسلق (نبات زاحف)
3 fuchsia, an anagraceous plant	فوشية
4 nasturtium (Indian cress, tropaeolum)	طرطور الباشا
5 cyclamen, a primula-laceous herb	كف مريم، عشب من الربيعيات
6 petunia, a solanaceous herb	بطونية، تبغية
7 gloxinia (Sinningia), a gesneriaceous plant	غلكسيية، نبات من الجسغرييات
8 Clivia minata, an amaryllis (narcissus)	كليفية أرجوانية
9 African hemp (Spartanmania), a tiliaceae plant, a linden plant	قنب أفريقي، نبات زيرقوني
10 begonia	بغونية
11 myrtle (common myrtle, Myrtus)	أس
12 azalea, an ericaceous plant	أزالية، صحرافية، نبات خلنجي
13 aloe, a liliaceous plant	الأوة، نبات زنبقي
14 globe thistle (Echinops)	قنقذية، شوك الجمال
15 stapelia (carrion flower), an asclepiadaceous plant	إسنطية، نبات من الصقلابيات
16 Norfolk Island Pine (an araucaria grown as an ornamental)	صنوبر جزيرة نورفوك (أروكارية تزرع كنبات زينة)
17 galingale, a cyperaceous plant of the sedge family	خولنجان، نبات من الفمسية السعدية

54 Propagation of Plants

1 seed sowing (sowing)	تكاثر النباتات
1 seed sowing (sowing)	بذر البذور
2 seed pan	حوض البذور
3 seed	بذور
4 label	بطاقة تعريف
5 pricking out (pricking off, transplanting)	نقل النباتات
6 seedling (seedling plant)	بادرة، شتلة/غرسة لم تنقل
7 dibber (dibble)	مغرس
8 flower pot (pot)	إصيص زهور
9 sheet of glass	لوح من الزجاج
10 propagation by	التكاثر بالتربيع مع التجوز،

layering	التكاثر بالعكس
11 layer	عكس، ترقيدة
12 layer with roots	ترقيدة ذات جذور
13 forked stick used for fastening	عمسا مشعبية تستخدم للتثبيت
14 propagation by runners	التكاثر بالمداد/بالرند
15 parent (parent plant)	النبات الأصل/المصدر
16 runner	رند، مداد
17 small rooted leaf cluster	التعود ورقة صغير ذو جذور
18 setting in pots	الوضع في أصيص
19 cutting in water	فسل في الماء
20 cutting (slip, set)	فسل (قلم، ود)
21 root	جذر
22 bud cutting on vine tendril	قلم برعم معلقة في الكرّم
23 scion bud, a bud	برعم تطعيم، برعم
24 sprouting (shooting) cutting	فسل ركزة
25 stem cutting (hardwood cutting)	فسل بالساق
26 bud	برعم
27 propagation by bulbils (brood bud bulblets)	التكاثر بالبصيلات
28 old bulb	بصلة كاملة النمو
29 bulbil (brood bud bulblet)	بصيلية
30-39 grafting (graftage)	التطعيم
30 budding; <i>here</i> : shield budding)	تطعيم بالبرعم، هنا برعمية باستعمال طعم يكون جزءاً صغيراً من الساق
31 budding knife	سكين التطعيم
32 T-cut	قطع تائي
33 support (stock, root-stock)	ساق سائدة (فسيلة جذرية)
34 inserted scion bud	برعم تطعيم مغروس
35 raffia layer (bast layer)	ترقيدة رافية
36 side grafting	تطعيم جانبي
37 scion (shoot)	غصن التطعيم (رشد، فرع)
38 wedge-shaped notch	بقرة اسفينية الشكل
39 splice grafting	تطعيم إنجليزي/تراكمي

55 Market Garden (Am. Truck Garden, Truck Farm)

1-51 market garden (Am. truck garden, truck farm)	مزرعة الخضروات
1 tool shed	كشك الأدوات
2 water tower (water tank)	برج تخزين الماء
3 market garden (<i>Am.</i> truck garden, truck farm), a tree nursery	مزرعة الخضروات (مشكل)
4 hothouse (forcing house, warm house)	ذفيمة حارة (بناء البواكير)
5 glass roof	سقف زجاجي
6 [roll of] matting (straw	بورية (حصيرة من القصب

matting, reed matting, shading)	أو سوق السُّلْت (thene greenhouse)
7 boiler room (boiler house)	غُرْفَةُ المَرَجَل (41 ventilation flap)
8 heating pipe (pressure pipe)	أَنْبُوبُ التسخين (أنبوب الضغط)
9 shading panel (shutter)	لَوْح تَطْلِيل (44 tomato plant)
10-11 ventilators (vents)	فَتحات تهوية
10 ventilation window (window vent, hinged ventilator)	نافذة تهوية
11 ridge vent	الفِطْحَةُ العُلْوِيَّة
12 potting table (potting bench)	مَنْضِدُ التَأْصِيس
13 riddle (sieve, garden sieve, upright sieve)	عُرْبَال (عُرْبَال الحديقية/ قائم)
14 garden shovel (shovel)	مِخْرَفَةُ الحديقية، جاروف
15 heap of earth (composted earth, prepared earth, garden mould, Am. mold)	كُوْمَةُ تَراب (تراب مَفْرُوج بسماد عضوي)
16 hotbed (forcing bed, heated frame)	مِدْفَاعَةٌ (دَفِيئة البَوَاكِر)
17 hotbed vent (frame vent)	فِطْحَةُ المِدْفَاعَة
18 vent prop	سِنَادُ فِطْحَةِ المِدْفَاعَة
19 sprinkler (sprinkling device)	رَشَّاش (جهاز الرش)
20 gardener (nursery gardener, grower, commercial grower)	البُسْتَانِي، الجَنَائِثِي
21 cultivator (hand cultivator, grubber)	مِسْلَفَةٌ، آلة الحَرَافَة
22 plank	لَوْح خَشَب ثَخِين
23 pricked-out seedlings (pricked-off seedlings)	شَتلات مَعْقُولَة
24 forced flowers [forcing]	زَهور مَعْرُوسَة [زَرَافَة البَوَاكِر]
25 potted plants (plants in pots, pot plants)	نباتات مَوْصِصَة
26 watering can (Am. sprinkling can)	مِرْسَافَةُ السَّقْي
27 handle	مِقْبَض
28 rose	فُوهُة الرِيشَة
29 water tank	خُوض مَاء
30 water pipe	مَأْسُورَة المَاء
31 bale of peat	بَالَة طُرْب
32 warm house (heated greenhouse)	صُنُوبَة دافئة
33 cold house (unheated greenhouse)	صُنُوبَة باردة
34 wind generator	مُولِدُ يَعْمَلُ بِطَاقَة الرِّياح
35 wind wheel	مِرْوَخَة دَوَّارَة الرِّياح
36 wind vane	رِيشَة المِرْوَخَة
37 shrub bed, a flower bed	زَهْرَاء شَجِيرَات/زهور
38 hoop edging	حافَة طَوقِيَّة
39 vegetable plot	قِطْعَة أَرْض لِزراعة الخضروات
40 plastic tunnel (poly-	نَقْف بِلَاسْتِيكِي (صُوبَة مِنْ

41 ventilation flap	غِطَاءَة نَدْوِيَّة
42 central path	مَسْر مَرَكَزِي
43 vegetable crate	صَنْدُوقُ الخَضْرَوَات
44 tomato plant	نبات التَبْدُورَة/ الطَّمَّاطِم
45 nursery hand	عَامِل المَنْشَل
46 nursery hand	عَامِلَة المَنْشَل
47 tub plant	نبات مَرْزُوع فِي بَرْمِيل
48 tub	بَرْمِيل
49 orange tree	شَجَرَة بَرَنْجَال
50 wire basket	سَلَّة سَلْكِيَّة
51 seedling box	صَنْدُوقُ الشَتلات

56 Garden Tools أدوات الحديقية

1 dibber (dibble)	مَغْرَس
2 spade	جَارُوف، مَجْرَاف
3 lawn rake (wire-tooth rake)	مَنْشَل العُشْب
4 rake	مَنْشَل الحَدَائِق، قَشَاشَة
5 ridging hoe	مِعْرَاق، مِعُول حَرَث الجَدِيرَات

6 trowel	مَسْطَرِين
7 combined hoe and fork	مِعْرَاق وَشُوكَة
8 sickle	مَنْجَلَة، شُرْبُرَة
9 gardener's knife (pruning knife, billhook)	سِكِين البُسْتَانِي (مِقْبَض، مِقْبَظ)
10 asparagus cutter (asparagus knife)	سِكِين الفَهْلِيُون

11 tree pruner (long-handled pruner)	مِقْبَض قَلْبِيْم/ تَشْدِيْب الشَّجَر
12 semi-automatic spade cultivator	جَارُوف شِبْه أَلِي مِسْلَفَة ثَلَاثِيَّة الشَّعْب
13 three-pronged tree scraper (bark scraper)	مِكَشَطَة لِحَاء الشَّجَر

14 tree scraper (bark scraper)	مِكَشَطَة لِحَاء الشَّجَر
15 lawn aerator (aerator)	أَدَاة تَهْوِيَة العُشْب
16 pruning saw (saw for cutting branches)	مِنسَار تَشْدِيْب
17 battery-operated hedge trimmer	مِقْبَض لِتَشْدِيْب السِّيَاج يَعْمَل بِالْبَاطَرِيَة

18 motor cultivator	مِسْلَفَة بِمَحْرَك
19 electric drill	مِدَّارَة كَهْرِبَائِيَّة
20 gear	صَنْدُوقُ التَّرْوس
21 cultivator attachment	مَلْحَق المِسْلَفَة
22 fruit picker	أَدَاة قَلْف الفَاكِهَة
23 tree brush (bark brush)	فَرشَاء لِالحَاء
24 sprayer for pest control	رَشَّاش مَكْافِئَة الأَفَات
25 lance	مِرْزَاق

26 hose reel (reel and carrying cart)	بِكْرَة الخَرْطُوم (بِكْرَة وَ عَرَبِيَة الحَمَل)
27 garden hose	خَرْطُوم الحديقية
28 motor lawn mower (motor mower)	جِرَّازَة مَرُوج بِمَحْرَك

29 grassbox	صَنْدُوقُ تَجْمِيْع العُشْب
30 two-stroke motor	مَحْرَك ثَنَائِي الأَشْوَاط
31 electric lawn mower (electric mower)	جِرَّازَة مَرُوج كَهْرِبَائِيَّة
32 electric lead (electric cable)	سَلْك تَوْصِيْل كَهْرِبَائِي (كَبِل كَهْرِبَائِي)

33 cutting unit	وَحْدَة القَطْع
34 hand mower	جِرَّازَة نَدْوِيَّة
35 cutting cylinder	أَسْطِوانَة القَطْع
36 blade	سِلَاح الجِرَّازَة
37 riding mower	جِرَّازَة مَرْكَبِيَّة
38 brake lock	مِرْزَاج القَرْمَلَة
39 electric starter	أَلِيَّة بَدَأ التَشغِيْل الكَهْرِبَائِيَّة
40 brake pedal	دَوَّاسَة القَرْمَلَة
41 cutting unit	وَحْدَة القَطْع
42 tip-up trailer	مَقْطُورَة بِحَافَة مَرْتَفَعَة
43 revolving sprinkler, a lawn sprinkler	أَلَة رَش دَوَّارَة، رَشَاشَة العُشْب
44 revolving nozzle	فُوهُة دَوَّارَة
45 hose connector	وَسَلَة الخَرْطُوم
46 oscillating sprinkler	أَلَة رَش مَرْتَجِحَة
47 wheelbarrow	عَرَبِيَّة بَدْوِيَّة بَدَوَلَابِيْن
48 grass shears	مِقْبَض العُشْب
49 hedge shears	مِقْبَض السِّيَاج
50 secateurs (pruning shears)	مِقْبَض قَلْبِيْم وَ تَشْدِيْب

57 Vegetables (Vegetable Plants)	الخَضْرَوَات (نباتات الخضري)
1-11 leguminous plants (Leguminosae)	القَرْنِيَّات، القِطَانِيَّات
1 pea, a plant with a papilionaceous corolla	بَسَلَة، نَبات ذُو ثَوْبِيَج فَراشِي
2 pea flower	زَهْرَة البَسَلَة
3 pinnate leaf	وَرَقَة رِيشِيَّة
4 pea tendril, a leaf tendril	حَالِق/ عَنقَلَة بَسَلِيَّة
5 stipule	أُذُنَة، زَنْمَة
6 legume (pod), a seed vessel (pericarp, legume)	قَرْن (غِلاف الثَمَرَة)

7 pea [seed]	[حَبَة] البَسَلَة
8 bean plant (bean), a climbing plant (climber, creeper); varieties: broad bean (runner bean, Am. scarlet runner), climbing bean (climber, pole bean), scarlet runner bean; smaller: dwarf French bean (bush bean)	نبات الفُؤال/ الفاصوليا (نبات مَشْلِق/ زاحف) باقِلاء، باقِلاء مَشْلَقَة، أنواعها فاصوليا اسبانية-الأصغر حجما فاصوليا قَرْمِيَّة

9 bean flower	زَهْرَة الفُؤال
10 twining beanstalk	سَاق فُؤال مَلْفَنَة
11 bean [pod with seeds]	نبات الفاصوليا [قرن به الحبوب]

12 tomato	الطَّمَّاطِم، البَدُورَة
13 cucumber	الخِيَار
14 asparagus	هَلْبُون، هَلْبُون الفُجَل
15 radish	الفُجَل الأَبْيَض
16 white radish	الجَزَر
17 carrot	جِرَّازَة الأَرُومَة
18 stump-rooted carrot	المَقْدُوس
19 parsley	الفُجَل البَرِّي
20 horse-radish	الكُرَّاث
21 leeks	

22 chives	النَّوْم المَعْمَر
23 pumpkin (Am. squash); sim.: melon	الكُوسِي، القُرْع
24 onion	البَصَل
25 onion skin	قَشِيرَة البَصَلَة
26 kohlrabi	الكُرْبُوب السَّاقِي، أَبُو رَكْبِيَّة
27 celeriac	كُرْفَس لَفْتِي
28-34 brassicas (leaf vegetables)	اللُورَقِيَّات
28 chard (Swiss chard, seakale beet)	سَلَق
29 spinach	اسْفَنَافَاح
30 Brussels sprouts (sprouts)	كُرْبُوب بَرُوكْسَل
31 cauliflower	قَبْطِيْب
32 cabbage (round cabbage, head of cabbage), a brassica; cultivated races (cultivars): green cabbage, red cabbage	كُرْبُوب، مَلْفُوف (كُرْبُوب مَسْتَدِير، رَأْس مِنَ الكُرْبُوب) - أنواعه المَرْبُوعَة كُرْبُوب أَخْضَر، كُرْبُوب أَحْمَر
33 savoy (savoy cabbage)	كُرْبُوب سَافُوي
34 kale (curly kale, kail), a winter green	كُرْبُوب لَارُويْسِي
35 scorzonera (black salsify)	فُؤِي أسود، قِجَارُون

36-40 salad plants	نباتات السَّلَطَة
36 lettuce (cabbage lettuce, head of lettuce)	الخَس (رَأْس مِنَ الخَس)
37 lettuce leaf	وَرَقَة الخَس
38 corn salad (lamb's lettuce)	خَس التَّعْجَة
39 endive (endive leaves)	هَنْدِيَا، لُعاة
40 chicory (succory, salad chicory)	هَنْدِيَا بَرِّيَّة
41 globe artichoke	جِرْشَف، كَلْكَز
42 sweet pepper (Spanish paprika)	فَلْفَل حُلُو (لِيفِلَة دَعْلِيَّة)

15 raceme	عنفود	55 withered flower	زَهْرَةٌ ذالمة	23 plum stone	نواة الأَجَاص	lily), a narcissus	
16 strawberry plant; <i>varieties</i> : wild strawberry (woodland strawberry), garden strawberry, alpine strawberry	نبات الفراولة، أنواعه الفراولة البرية، فراولة البساتين، فراولة ألبية	56 apple [longitudinal section]	شَمْرَةٌ النَّفَاحِ [مَقْطَعٌ طَوِيلٌ]	24 greengage	بُرُوقٌ أَخْضَر	4 تَرْجِسُ الشَّعْرَاءِ	
17 flowering and fruit-bearing plant	نبات مُزَهَّرٌ وَمُثَمَّرٌ	57 apple skin	قَشْرَةُ الشَّمْرَةِ	25 mirabelle (transparent gage), a plum	مِيزَابِلَةٌ	(pheasant's eye, poet's daffodil); <i>sim.</i> : polyanthus narcissus	
18 rhizome	جَذْمُورٌ، جَذَمَارٌ	58 flesh (pulp)	لَحْمُ الشَّمْرَةِ	26-32 peach tree	شَجَرَةُ الْخَوْحِ	5 bleeding heart (lyre flower), a fumariaceous flower	مِهْمَازِيَةٌ رَائِقَةٌ، زَهْرَةٌ مِنَ الشَّاهَتَرَجِيَّاتِ
19 temate leaf (trifoliate leaf)	وَرَقَةٌ ثَلَاثِيَّةٌ	59 core (apple core, carpels)	لُبَابٌ (أَخْيَبَةٌ)	26 flowering branch (branch in blossom)	فِرْعٌ مَزَهَّرٌ	6 sweet william (bunch pink), a carnation	قَرَنْفَلٌ مَلْتَحٍ، قَرَنْفَلٌ شَائِعٌ
20 runner (prostrate stem)	رَبْدٌ، مَدَادٌ	60 apple pip, a fruit pip	حَبَّةُ النَّفَاحِ	27 peach flower (peach blossom)	زَهْرَةُ الْخَوْحِ (نَوْرَةٌ)	7 gillyflower (gilliflower, clove pink, clove carnation)	مَنْتَوَّرٌ شَيْوِيٌّ (قَرَنْفَلٌ شَائِعٌ)
21 strawberry, a pseudo-carp	شَمْرَةٌ الْفَرَاوَلَةِ، شَمْرَةٌ كَاذِبَةٌ	61 apple stalk (stalk)	سَاقُ شَمْرَةِ النَّفَاحِ (سَاقٌ)	28 flower shoot	نَبْتَةُ الزَهْرَةِ	8 yellow flag (yellow water flag, yellow iris), an iris	سُوَسُنٌ أَصْفَرٌ، سُوَسُنٌ
22 epicalyx	كَأْسُ الزَهْرَةِ الْخَارِجِي، كُوَيْسٌ فَوْقِي	62 codling moth (codlin moth)	دُوْدَةُ النَّفَاحِ	29 young leaf (sprouting leaf)	وَرِيقَةٌ نَائِبَةٌ	9 tuberose	مِسْكُ الرُّومِ
23 achene (seed)	فَقِيرَةٌ	63 burrow (tunnel)	جَحْرٌ	30 fruiting branch	فِرْعٌ مَثْمَرٌ	10 columbine (aquilegia)	أَقْوُولِيَّةٌ (حَوْضِيَّة)
24 flesh (pulp)	لَحْمُ الشَّمْرَةِ	64 larva (grub, caterpillar) of a small moth	بِرْقَانَةٌ دُوْدَةٌ صَغِيرَةٌ	31 peach	شَمْرَةُ الْخَوْحِ	11 gladiolus (sword lily)	دَالِيُوْتُ، سَيْفُ الْغُرَابِ
25 raspberry bush	تَوْتُ الْعَلِيقِ	65 wormhole	ثَقْبٌ دُوْدَةٌ، نَحْرُوبٌ	32 peach leaf	وَرَقَةٌ الْخَوْحِ	12 Madonna lily (Annunciation lily, Lent lily), a lily	رَدِّيْقُ الْبَيْضِ (سُوَسُنٌ أَيْضٌ)
26 raspberry flower	زَهْرَةُ تَوْتُ الْعَلِيقِ	59 Drupes and Nuts	الْجَوْرُ وَالنَّوَابِيَّاتِ	33-36 apricot tree	شَجَرَةُ الْمَشْمَشِ	13 larkspur (delphinium), a ranunculaceous plant	دَافَلِيْيُونٌ، نَبَاتٌ مِنَ الْفَصِيلَةِ الْحُوْدَانِيَّةِ
27 flower bud (bud)	بُرْعَمٌ زَهْرَةٌ (بُرْعَمٌ)	1-18 cherry tree	شَجَرَةُ الْكَرْزِ/ الْقِرَاصِيَا	33 flowering apricot branch (apricot branch in blossom)	فِرْعٌ مَشْمَشٍ مَزَهَّرٌ	14 moss pink (moss phlox), a phlox	قَبَسٌ مِخْرَزِيٌّ، فُلُوْكَسٌ
28 fruit (raspberry), an aggregate fruit (compound fruit)	شَمْرَةٌ تَوْتُ الْعَلِيقِ، شَمْرَةٌ عَلِيقِيَّةٌ	1 flowering branch of the cherry tree (branch of the cherry tree in blossom)	فِرْعٌ مَزَهَّرٌ مِنْ شَجَرَةِ الْكَرْزِ	34 apricot flower (apricot blossom)	زَهْرَةُ الْمَشْمَشِ	15 garden rose (China rose)	وَرْدَةٌ الْحَدَائِقِ (وَرْدَةٌ الصِّينِ)
29 blackberry	تَوْتُ شَوْكِي	2 cherry leaf	وَرَقَةٌ الْكَرْزِ	35 apricot	شَمْرَةُ الْمَشْمَشِ	16 rosebud, a bud	بُرْعَمُ الْوَرْدَةِ
30 thorny tendril	حَالِقٌ شَوْكِي	3 cherry flower (cherry blossom)	زَهْرَةُ الْكَرْزِ	36 apricot leaf	وَرَقَةُ الْمَشْمَشِ	17 double rose	وَرْدَةٌ مَفْتَحَةٌ
31-61 tomiferous plants	المُفَالِحِيَّاتِ	4 peduncle (pedicel, flower stalk)	عَنْقٌ، رَنْدٌ	37-51 nuts	الْجَوْرُ	18 rose thorn, a thorn	شَوْكَةُ غُوْدِيَّةٍ
31 pear tree; <i>wild</i> : wild pear tree	شَجَرَةُ الْكَمْثَرِيِّ، شَجَرَةٌ الْكَمْثَرِيَّةِ	5 cherry; <i>varieties</i> : sweet cherry (heart cherry), wild cherry (bird cherry), sour cherry, morello cherry (morello)	شَمْرَةُ الْكَرْزِ، أَنْوَاعُهَا الْكَرْزُ الْحَلْوُ (قِرَاصِيَا)، الْكَرْزُ الْبَرِّيُّ، الْكَرْزُ الْحَامِضُ	37 flowering branch of the walnut tree	شَجَرَةُ الْجَوْرِ	19 gaillardia	وَرْدَةٌ الْهَيْدِ (مُخْتَلِجَةٌ)
32 flowering branch of the pear tree	فِرْعٌ مَزَهَّرٌ مِنْ شَجَرَةِ الْكَمْثَرِيِّ	6-8 cherry (cherry fruit) [cross section]	شَمْرَةُ الْكَرْزِ [مَقْطَعٌ عَرَضِيٌّ]	38 female flower	فِرْعٌ مَزَهَّرٌ مِنْ شَجَرَةِ الْجَوْرِ	20 African marigold (tagetes)	ذَيْلُ الْعَلْبَلِ، زَهْرَةٌ قَطِيقِيَّةٌ
33 pear [longitudinal section]	شَمْرَةُ الْكَمْثَرِيِّ [مَقْطَعٌ طَوِيلٌ]	6 flesh (pulp)	لَحْمُ الشَّمْرَةِ (لُبٌ)	39 male inflorescence (male flowers, catkins with stamens)	زَهْرَةُ أُنْثَى	21 love-lies-bleeding, an amaranthine flower	زَيْبَةٌ، زَيْبَةٌ أَضْأَالِيَا، ذَهْلِيَّةٌ
34 pear stalk (stalk)	سَاقُ الْكَمْثَرِيِّ (سَاقٌ)	7 cherry stone	نَوَاةُ الْكَرْزِ	40 alternate pinnate leaf	شَكْلُ اِزْهَرَارٍ ذَكَرِيٍّ (زَهْوَرٌ ذَكَرِيَّةٌ، قِدَّةٌ ذَاتُ أُسْتَوِيَّةٍ)	22 zinnia	زَيْبَةٌ، زَيْبَةٌ
35 flesh (pulp)	لَحْمُ الشَّمْرَةِ (لُبٌ)	8 seed	حَبَّةُ الشَّمْرَةِ	41 walnut, a drupe (stone fruit)	وَرَقَةٌ رَيْشِيَّةٌ مُتَعَابِقَةٌ	23 pompon dahlia, a dahlia	أَضْأَالِيَا، ذَهْلِيَّةٌ
36 core (carpels)	الْطَّبُّ (أَخْيَبَةٌ)	9 flower (blossom) [cross section]	زَهْرَةُ (نَوْرَةٌ) [مَقْطَعٌ عَرَضِيٌّ]	42 soft shell (cupule)	شَمْرَةُ الْجَوْرِ (نَوْبِيَّةٌ)		
37 pear pip (seed), a fruit pip	حَبَّةُ الْكَمْثَرِيِّ (بَذْرَةٌ فَاكِهَةٌ)	10 stamen	سَدَاةٌ	43 walnut, a drupe (stone fruit)	شَجَرَةُ الْبِنْدُقِ، نَبَاتٌ وَيَجِي الْإِلْفَاحِ		
38 pear blossom	نَوْرَةُ الْكَمْثَرِيِّ	11 petal	بَتْلَةٌ	44-51 hazel tree (hazel bush), an anemophilous shrub (a wind-pollinating shrub)	فِرْعٌ بِنْدُقٍ مَزَهَّرٌ		
39 ovules	بَذِيرِيَّاتٌ	12 sepal	فَصْلَةٌ، كَأْسِيَّةٌ	45 flowering hazel branch	فِرْعٌ بِنْدُقٍ مَزَهَّرٌ		
40 ovary	مَيْبِيضٌ	13 pistil	مَدَقَّةٌ	46 male catkin	قِدَّةٌ ذَكَرٌ		
41 stigma	مَيْسَمٌ	14 ovule enclosed in perigynous ovary	بَذِيرَةٌ دَاخِلٌ مَيْبِيضٌ مُحِيطِي	47 leaf bud	شَكْلُ اِزْهَرَارٍ أُنْثَى		
42 style	حَامِلُ الْمَيْسَمِ	15 style	مَيْسَمٌ	48 fruit-bearing branch	بُرْعَمُ الْوَرَقَةِ		
43 petal	بَتْلَةٌ، تَوَجِيحِيَّةٌ	16 stigma	قَلَمُ الْمَيْسَمِ	49 hazelnut (hazel, cobnut, cob), a drupe (stone fruit)	فِرْعٌ مَثْمَرٌ		
44 sepal	فَصْلَةٌ، كَأْسِيَّةٌ	17 leaf	وَرَقَةٌ	50 involucre (husk)	قَنْأَبٌ (قَشْرَةٌ)		
45 stamen	سَدَاةٌ	18 nectary (honey gland)	غَدَّةٌ مَعْتَرٌ الزَهْرَةِ (غَدَّةٌ عَسَلٌ الزَهْرَةِ)	51 hazel leaf	وَرَقَةُ الْبِنْدُقِ		
46 quince tree	شَجَرَةُ السَّفْرَجَلِ	19-23 plum tree	الْزَهْرَةُ				
47 quince leaf	وَرَقَةُ السَّفْرَجَلِ	19 fruit-bearing branch	الْأَجَاصُ				
48 stipule	أَذَنَةٌ، زَنْمَةٌ	20 oval, black-skinned plum	فِرْعٌ مَثْمَرٌ				
49 apple-shaped quince [longitudinal section]	سَفْرَجَلَةٌ عَلَى شَكْلِ قَفَاحَةٍ [مَقْطَعٌ طَوِيلٌ]	21 plum leaf	وَرَقَةُ الْأَجَاصِ				
50 pear-shaped quince [longitudinal section]	سَفْرَجَلَةٌ عَلَى شَكْلِ كَمْثَرِيٍّ [مَقْطَعٌ طَوِيلٌ]	22 bud	بُرْعَمٌ				
51 apple tree; <i>wild</i> : crab apple tree	شَجَرَةُ النَّفَاحِ الْبَرِّيَّةِ، شَجَرَةُ النَّفَاحِ الْبَرِّيِّ						
52 flowering branch of the apple tree	فِرْعٌ مَزَهَّرٌ مِنْ شَجَرَةِ النَّفَاحِ						
53 leaf	وَرَقَةٌ						
54 apple blossom	نَوْرَةُ النَّفَاحِ						

9 shepherd's purse 10 flower 11 fruit (pouch-shaped pod) 12 common groundsel 13 dandelion 14 flower head (capitulum) 15 infructescence 16 hedge mustard, a mustard 17 stoncrop 18 wild mustard (charlock, runch) 19 flower 20 fruit, a siliqua (pod) 21 wild radish (jointed charlock) 22 flower 23 fruit (siliqua, pod) 24 common orache (common orach) 25 goosefoot 26 field bindweed (wild morning glory), a bindweed 27 scarlet pimpernel (shepherd's weather-glass, poor man's weatherglass, eye-bright) 28 wild barley (wall barley) 29 wild oat 30 common couch grass (couch, quack grass, quick grass, quitch grass, scutch grass, twitch grass, witch-grass); <i>sim.</i> : bearded couch grass, sea couch grass 31 gallant soldier 32 field eryngo (Watling Street thistle), a thistle 33 stinging nettle, a nettle	كيس الرأعي زهرة ثمرة زهرة الشبخ، شايخة شائعة طرخشقون رؤيس الزهرة عنقود ثمر جرجير، ككأه، خردل سبدوم خردل بري (خردل الحقول) زهرة ثمرة خردلية فجل بري زهرة ثمرة (خردلية) سرمق، قطف، إسفاناح رومي رجل الإوز لبلاب الحقل حشيشة الحكمة، عشبة العلق، أناغاس حقلية شعير بري شوفان/خردال بري نجيل شائع (نجيل، إبريرة، عكرش) الجندي النبيل قرصعنة الحقول، شوك قراص محرق مَنْزِل، دار إسطنبل قطعة منزلية زوجة المزارع مقشقة، مكسة مزارع حظيرة المشايخ زربية الخنازير معلم خارجي خنزير	صوئمة علف مرتفعة (صوئمة علف) ماسورة الصوئمة (ماسورة قائمة لملء الصوئمة) صوئمة السماد السائل بناء إضافي ملحق يستعمل كملحق أو إسطنبل عَنْبَر المكن والآلات باب مُنْزِل باب يوذي إلى الورشة عربة نقل قلابة أَسْطُوَانَة القَلْب أَسْطُوَانَة القَلْب جهاز نثر الأسمدة وحدة النثر أَسْطُوَانَة النثر أرضية مكشطة متحركة لوح جانبي مقدمة شبكة سلكية عربة رش حامل جهاز الرش (حامل المرشحة) مرشحة، مرشحة دوارة خرطوم المرشحة ساحة المزرعة كلب حراسة عجل بقرة حلوب سياج ساحة المزرعة ديك جرار سائق الجرار مقطورة لجميع الأغراض وحدة بيك آب [مطوية]	4 field 5 swingletree (<i>Am.</i> whiffletree, whipple-tree) 6 plough (<i>Am.</i> plow) 7 clod 8 furrow 9 stone 10-12 sowing 10 sower 11 seedlip 12 seed corn (seed) 13 field guard 14 chemical fertilizer (artificial fertilizer); <i>kinds</i> : potash fertilizer, phosphoric acid fertilizer, lime fertilizer, nitrogen fertilizer 15 cartload of manure (farmyard manure, dung) 16 oxteam (team of oxen, <i>Am.</i> span of oxen) 17 fields (farmland) 18 farm track (farm road) 19-30 hay harvest (hay-making) 19 rotary mower with swather (swath reaper) 20 connecting shaft (connecting rod) 21 power take-off (power take-off shaft) 22 meadow 23 swath (swathe) 24 tedder (rotary tedder) 25 tilled hay 26 rotary swather 27 trailer with pick-up attachment 28 fence rack (rickstand), a drying rack for hay 29 rickstand, a drying rack for hay 30 hay tripod 31-41 grain harvest and seedbed preparation 31 combine harvester 32 cornfield 33 stubble field 34 bale of straw 35 straw baler (straw press), a high-pressure baler 36 swath (swathe) of straw (windrow of straw)	حقل ميزان مخراش مذرة، طويارة ثم (شق المخرات) حجر الحد البنسدر عامل نثر البذور بذر البذور كيس البذور حارس الحقول (الخفيير) سماد كيمائي (سماد صناعي) أنواعه اليوتاس، وحض الفوسفوريك والكالسيوم والأزوت حمولة عربة من السماد العضوي ثيران جز (زوج من الثيران) حقول (أرض المزرعة) طريق المزرعة تجبيس الكلا محصدة دوارة ذات آلة حش وتكويم عمود توصيل عمود نقل الحركة (مأخذ القدرة) مزغى كومة مبيسة الكلا (مقلب كلا دوارة) كلا مبيس آلة حش وتكويم دوارة مقطورة لها ملحق لربط شاحنة خفيفة مبلق الفش رف تجفيف الكلا حامل كلا ثلاثي حصاد الحبوب وتجهيز مختر البذور الحصادة المراسمة حقل القمح/ الذرة حقل الجذامات بالة قش محزمة البالات صف/كومة قش	37 hydraulic bale loader 38 trailer 39 manure spreader 40 four-furrow plough (<i>Am.</i> plow) 41 combination seed-harrow 64 Agricultural Machinery I 1-33 combine harvester (combine) 1 divider 2 grain lifter 3 cutter bar 4 pick-up reel, a spring-tine reel 5 reel gearing 6 auger 7 chain and slat elevator 8 hydraulic cylinder for adjusting the cutting unit 9 stone catcher (stone trap) 10 awner 11 concave 12 threshing drum (drum) 13 revolving beater [for freeing straw from the drum and preparing it for the shakers] 14 straw shaker (strawwalker) 15 fan for compressed-air winnowing 16 preparation level 17 louver-type sieve 18 sieve extension 19 shoe sieve (reciprocating sieve) 20 grain auger 21 tailings auger 22 tailings outlet 23 grain tank 24 grain tank auger 25 augers feeding to the grain tank unloader 26 grain unloader spout 27 observation ports for checking tank contents 28 six-cylinder diesel engine 29 hydraulic pump with oil reservoir 30 driving axle gearing 31 driving wheel tyre (<i>Am.</i> tire) 32 rubber-tyred (<i>Am.</i>	آلة تحميل بالات آلية مقطورة ماكينة نثر السماد مخراش رباعي الشقوق منشط التشتير الآلات الزراعيّة (1) الحصادة المركبة المقسم رافعة الحبوب فضيب الحصد مضرب الضم تروس المضرب حلزون تغذية ناقل سبر رافع سلسلي أسطوانة هيدرولية لتثبيت وحدة الحصد محصدة الحصى منز السفا، مسفاة سطح مقعر برميل النرس (وعاء) دائرة الترددية (المضرب) [لفصل القش من البرميل وإعداده للهزازات] غريبال هزاز (زداخ) مروحة الترددية سطح التجهيز غريبال مزدوج امتداد الغريبال غريبال سفلي بريمة حلزون الحبوب حصيرة نقل الفش فتحة تصريف قادوس الحبوب حلزون قادوس الحبوب حلزونات تغذية آلية تفريغ قادوس الحبوب مزاب آلية تفريغ القادوس فتحات ملاحظة لمتابعة محتويات القادوس محرك ديزل ذو ست أسطوانات مضخة هيدرولية مع خزان زيت تروس محور الإدارة إطار عجلة الإدارة عجلة ذات إطار مطاطي
---	--	---	---	--	---	---

rubber-tired) wheel on the steering axle	على محور التوجيه	gearing	متعددة الخطوات
33 driver's position	موضع السائق	72 feeder	آلية التغذية
34-39 self-propelled forage harvester (self-propelled field chopper)	حصادة علف متحركة	73 haulm stripper (flail rotor)	جهاز إزالة الأعشاب
34 cutting drum (chopper drum)	برميل الحصد	74 rotary elevating drum	برميل رفع دوار
35 corn head	رأس حصد الذرة	75 mechanical tumbling separator	فرازة حبوب آلية
36 cab (driver's cab)	كابينة السائق	76 haulm conveyor with flexible haulm strippers	ناقل الأعشاب ذو جهاز إزالة الأعشاب
37 swivel-mounted spout (discharge pipe)	ماسورة تصريف متحركة	77 haulm conveyor agitator	محرّك ناقل الأعشاب
38 exhaust	على محور دواراني	78 haulm conveyor drive with V-belt	إدارة ناقل الأعشاب ذات سير حرف V
39 rear-wheel steering system	نظام توجيه الدوالب الخلفي	79 studded rubber belt for sorting vines, clods and stones	سير مطاطي بارز لفرز الكروم والذرة والحجارة
40-45 rotary swather	آلة حش وتكويم دوّارة	80 trash conveyor	ناقل الفضلات
40 cardan shaft	عمود كردان	81 sorting table	نضد الفرز
41 running wheel	دوالب متحرك	82 rubber-disc (rubber-disk) rollers for pre-sorting	أسطوانة قرصية مطاطية للفرز الأولي
42 double spring tine	شوكّة ذات نابضين	83 discharge conveyor	ناقل التصريف
43 crank	ذراع التّؤدير	84 endless-floor hopper	قادوس الجمع
44 swath rake	مُسطّ الحش	85-96 beet harvester	حصادة الشمندر
45 three-point linkage	وصلة ثلاثية	85 topper	آلية الشّرقة
46-58 rotary tedder	ناشرة الدريس الدوّارة	86 feeler	الحساس
46 tractor	جرّار	87 topping knife	سكين الشّرقة
47 draw bar	قضيب الجر	88 feeler support wheel with depth adjustment	دوالب حامل الحساس
48 cardan shaft	عمود كردان (عمود نقل الحركة)	89 beet cleaner	أداة تنظيف الشمندر
49 power take-off (power take-off shaft)	مأخذ القدرة	90 haulm elevator	مصعد الأعشاب
50 gearing (gears)	تروس السرعة	91 hydraulic pump	مضخة هيدروليكية
51 frame bar	قضيب الهيكل	92 compressed-air reservoir	أسطوانة هواء مضغوط
52 rotating head	رأس دوار	93 oil tank (oil reservoir)	خزان الزيت
53 tine bar	قضيب حمل الشوكّة	94 tensioning device for the beet elevator	جهاز شدّ الخاص بمصعد الشمندر
54 double spring tine	شوكّة ذات نابضين	95 beet elevator belt	سير مصعد الشمندر
55 guard rail	قضيب واق	96 beet hopper	قادوس جمع الشمندر
56 running wheel	دوالب متحرك		
57 height adjustment crank	ذراع ضبط الارتفاع		
58 wheel adjustment	ضبط اتجاه الدوالب		
59-84 potato harvester	حصادة البطاطس		
59 control levers for the lifters of the digger and the hopper and for adjusting the shaft	أذرع التحكم الخاصة بواقع أدوات اقتلاع البطاطس والقواديس وضبط عمود الكردان وصلة ربط قابلة للتعديل		
60 adjustable hitch	قضيب الجر		
61 drawbar	حامل قضيب الجر		
62 drawbar support	وصلة عمود الكردان		
63 cardan shaft connection	أسطوانة المكبس		
64 press roller	تروس النظام الهيدروليكي		
65 gearing (gears) for the hydraulic system	سكين قرصية		
66 disc (disk) coultter (Am. colter) (rolling coultter)	سلاح ذو ثلاثة أضصال		
67 three-bladed share	إدارة السكين القرصية		
68 disc (disk) coultter (Am. colter) drive	سير ناقل مكتشف		
69 open-web elevator	محرّك		
70 agitator	محرّك		
71 multi-step reduction	تروس خفض السرعة		

10 knife coultter (Am. colter), a coultter	سكين قطع	hitch	الرادياتير، المشيع
11 skim coultter (Am. colter)	مكشط	51 radiator	مرّوحة
12 guide-chain crossbar	قضيب السلسلة الدليلية	52 fan	البطارية
13 guide chain	سلسلة دليلية	53 battery	مرّوح هواء ذو حمام زيتي
14-19 forecarriage	العربة الأمامية	54 oil bath air cleaner (oil bath air filter)	عزّاق، معرّقة
14 adjustable yoke	مقرن انضباطي	55 cultivator (grubber)	إطار مقطعي
15 land wheel	دوالب، عجلة	56 sectional frame	أسنان مرّنة
16 furrow wheel	عجلة الفج	57 spring tine	مقطع، سلاح
17 hake chain	سلسلة وصلة الجر	58 share, a diamond-shaped share (sim.: chisel-shaped share)	عجلة تحديد الأعماق
18 draught beam (draw-bar)	قضيب الجر	59 depth wheel	تعديل العمق
19 hake	وصلة الجر	60 depth adjustment	وصلة الجر
20 tractor (general-purpose tractor)	جرّار للأغراض العامة	61 coupling (hitch)	محرّك انعكاسي
21 cab frame (roll bar)	إطار كابينة السائق	62 reversible plough (Am. plow), a mounted plough	عجلة تحديد الأعماق
22 seat	مقعد	63 depth wheel	بدن المحرّات، بدن
23 power take-off gear-change (gearshift)	مجموعة مأخذ القدرة	64-67 plough (Am. plow) bottom, a general-purpose plough bottom	محرّات للأغراض العامة
24-29 power lift	مرفاع كهربائي	64 mouldboard (Am. moldboard)	القلاب، المقليب، المعرّقة
24 ram piston	كباس تضاعفي	65 ploughshare (share, Am. plowshare), a pointed share	المقطع
25 lifting rod adjustment	مضبط الرفع	66 sole (slade)	المرّحف
26 drawbar frame	هيكل قضيب الجر	67 landside	المسند
27 top link	وصلة علوية	68 skim coultter (Am. colter)	المكشط
28 lower link	وصلة سفلية	69 disc (disk) coultter (Am. colter) (rolling coultter)	مكشط قرصي
29 lifting rod	قضيب الرفع	70 plough (Am. plow) frame	إطار المحرّات
30 drawbar coupling	مقرن قضيب الجر	71 beam (plough beam, Am. plowbeam)	قصبه المجرّات
31 live power take-off (live power take-off shaft, take-off shaft)	عمود نقل الحركة / مأخذ القدرة	72 three-point linkage	وصلة ثلاثية
32 differential gear (differential)	تروس قرصية	73 swivel mechanism	آلية محور الدوران
33 floating axle	محور طاف	74 drill	جهاز تشطير البذور
34 torque converter lever	ذراع محور عزم الدوّران	75 seed hopper	صندوق البذور
35 gear-change (gearshift)	نقل السرعة، نقل التروس	76 drill coultter (Am. colter)	مكشط جهاز التشطير
36 multi-speed transmission	نقل حركة متعدد السرعات	77 delivery tube, a telescopic tube	أنبوب البذور، أنبوب تلسكوبي
37 fluid clutch (fluid drive)	إدارة مائعة	78 feed mechanism	آلية التقيم
38 power take-off gear	ترس مأخذ القدرة	79 gearbox	صندوق التروس
39 main clutch	القابض الرئيسي	80 drive wheel	عجلة الإدارة
40 power take-off gear-change (gearshift) with power take-off clutch	نقل تروس مأخذ القدرة مع قابض مأخذ القدرة	81 track indicator	مؤشر الأعداد
41 hydraulic power steering and reversing gears	توجيه هيدروليكي وتروس السرعة الخلفية	82 disc (disk) harrow, a semimounted implement	مسطّ قرصي
42 fuel tank	خزان الوقود	83 discs (disks) in X-configuration	أقراص في تشكيل متصالب
43 float lever	ذراع العوامة	84 plain disc (disk)	قرص مستو
44 four-cylinder diesel engine	محرك ديزل رباعي الاسطوانات	85 serrated-edge disc (disk)	قرص مموّج
45 oil sump and pump for the pressure-feed lubrication system	خض ومضخة الزيت لنظام التزييق تحت الضغط	86 quick hitch	وصلة الجر
46 fresh oil tank	خزان الزيت الجديد	87 combination seed-	مسطّ تشطير
47 track rod (Am. tie rod)	عمود ربط		
48 front axle pivot pin	بند ارتكاز المحور الأمامي		
49 front axle suspension	تطبيق المحور الأمامي		
50 front coupling (front	وصلة جر أمامية		

harrow	مُطَّط بِأَسنان جَسِيمة ثلاثي المقاطع	gage) (manometer)	مضخنة تفريغ نابذة
88 three-section spike-tooth harrow		11 centrifugal evacuating pump	
89 three-section rotary harrow	مُطَّط دوراني ثلاثي المقاطع	12 basket strainer	مصفاة سلكية
90 frame	إطار	13 channel	قناة
		14 chassis of the p.t.o.-driven pump (power take-off-driven pump)	شاسيه مضخنة تعمل بعمود لنقل الحركة
66 Agricultural Implements	الأدوات الزراعيّة	15 p.t.o.-driven (power take-off-driven) pump	مضخنة تعمل بعمود نقل للحركة
1 draw hoe (garden hoe)	مِعْرَق يدوي	16 cardan shaft	عمود كاردان
2 hoe handle	عصا المِعْرَق	17 tractor	جرّار
3 three-pronged (three-tined) hay fork (fork)	شوكّة قش ذات ثلاث سَعَب	18 long-range irrigation unit	وَحْدة رَي بعيدة المدى
4 prong (tine)	شُعْبَة الشوكّة	19 drive connection	وَصْلَة الإدارة
5 potato fork	شوكّة بطاطس	20 turbine	توربين
6 potato hook	شوكّة بطاطس	21 gearing (gears)	التروس
7 four-pronged (four-tined) manure fork (fork)	شوكّة سماد رباعية السَعَب	22 adjustable support	حامل قابل لضبط
8 manure hoe	مِعْرَق السّماد	23 centrifugal evacuating pump	مضخنة تفريغ نابذة
9 whetting hammer [for scythes]	مِطْرَقَة شحْد [للحاصِدة]	24 wheel	عَجلَة
10 peen (pane)	حدّ المِطْرَقَة	25 pipe support	حامل الماسورة
11 whetting anvil [for scythes]	سِدّان شحْد [للحاصِدة]	26 polyester pipe	ماسورة من البوليستر
12 scythe	حاصِدة، مجس، مَنجَل	27 sprinkler nozzle	فُوّهة المرشّة
13 scythe blade	سلاح الحاصِدة	28 quick-fitting pipe connection with cardan joint	وَصْلَة ماسورة سريعة التركيب ذات وصلة كاردان
14 cutting edge	حافة قاطعة	29 M-cardan	وَصْلَة كاردانية-إم
15 heel	كَعَب سلاح الحاصِدة	30 clamp	قَامطة تثبيت
16 snath (snathe, snead, sneath)	مِقْبَض الحاصِدة	31 V-cardan	كردان إسفيني
17 handle	مِقْبَض	32 revolving sprinkler, a field sprinkler	مرشّة دَوّارة
18 scythe sheath	عِمْد الحاصِدة	33 nozzle	فُوّهة
19 whetstone (scythe-stone)	حَجَر المِس	34 breaker	ذراع قَطع الرُش
20 potato rake	قَشاشَة البطاطس	35 breaker spring	نابض ذراع إيقاف الرُش
21 potato planter	زِراعَة البطاطس	36 stopper	سدادة
22 digging fork (fork)	شوكّة حفر (شوكّة)	37 counterweight	يَقْل موازن
23 wooden rake (rake, hayrake)	مُطَّط خشبي (مُطَّط، مُطَّط القش)	38 thread	حزور، لولبية
24 hoe (potato hoe)	مِعْرَق (مِعْرَق البطاطس)	68 Arable Crops	المحاصيل الزراعيّة
25 potato basket, a wire basket	سَلَة جمع البطاطس، سَلَة سلكية	1-47 arable crops (agricultural produce, farm produce)	المحاصيل الزراعيّة
26 clover broadcaster	آلة نثر حبوب البرسيم	1-37 varieties of grain (grain, cereals, farinaceous plants, bread-corn)	أنواع من الحبوب (حبّ، غلال، نباتات طحينية، القمح)
67 Overhead Irrigation	الرويّ بالرشّ	1 rye (<i>also</i> : corn, 'corn' often meaning the main cereal of a country or region; in Northern Germany: rye; in Southern Germany and Italy: wheat; in Sweden: barley; in Scotland: oats; in North America: maize; in China: rice)	سَلْت، شَيْلم (ويُعيّن الغلال الرئيسية في بلد أو إقليم؛ في شمال ألمانيا شَيْلم؛ جنوب ألمانيا وإيطاليا القمح؛ السويد الشعير؛ اسكوتلندا الشوفان؛ أمريكا الشمالية الذرة؛ الصين الأرز)
1 oscillating spray line	خَط رَشّ تَارْجَحي	2 ear of rye, a spike	سَبْلة
2 stand (steel chair)	حامل صلب		
3 portable irrigation system	نظام ري قابل للحمل		
4 revolving sprinkler	مرشّة دَوّارة		
5 standpipe coupler	مِفْرَن العوايسر القائمة		
6 elbow with cardan joint (cardan coupling)	مِرْفَق ذو وَصْلَة كاردانية		
7 pipe support (trestle)	حامل الماسورة (مِنصَب)		
8 pump connection	وَصْلَة المضخنة		
9 delivery valve	صمام الطرد		
10 pressure gauge (<i>Am.</i>	مِقْياس الضغَط (مانومتر)		

(head)	سَبْلة	<i>ing to colour</i> : white (<i>Am. Irish</i>), yellow, red, purple potato	
3 spikelet	سَبْلة		
4 ergot, a grain deformed by fungus [shown with mycelium]	حَبّة مَضابة بمرض الدَابرة [موضحة بالغازل الفطري]	39 seed potato (seed tuber)	دِرْنة بذرّية
5 corn stem after tillering	ساق الذرة بعد التفريع	40 potato tuber (potato, tuber)	درنة البطاطس
6 culm (stalk)	ساق	41 potato top (potato haulm)	وَرَقَة البطاطس (قصبة البطاطس)
7 node of the culm	عَقْدَة الساق	42 flower	زَهْرَة
8 leaf (grain leaf)	ورقة (ورقة الحَبّة)	43 poisonous potato berry (sugar apple)	سَم البطاطس
9 leaf sheath (sheath)	عِمْد الورقة	44 sugar beet, a beet	بَنْجَر أو سَمْتَدْر سكري
10 spikelet	سَبْلة	45 root (beet)	جذر
11 glume	عَضفة	46 beet top	رأس شمرة البنجر
12 awn (beard, arista)	سَفاة	47 beet leaf	ورقة البنجر
13 seed (grain, kernel, farinaceous grain)	بذرة (حَبّة، نواة حَبّة طحينية)	69 Fodder Plants (Forage Plants)	محاصيل العلف (نباتات الكلأ)
14 embryo plant	نبات جنيني	1-28 fodder plants (forage plants) for tillage	نباتات الكلأ للفلاحة
15 seed	حَبّة، بذرة	1 red clover (purple clover)	نَقْل بنفسجي، نقل المروج
16 embryo	جنين	2 white clover (Dutch clover)	بَرْسيم هولندي، نقل أبيض
17 root	جذر	3 alsike clover (alsike)	بَرْسيم السويد، نقل هجين
18 root hair	شُعْبَة جذرية	4 crimson clover	نقل مدّعي
19 grain leaf	ورقة الحبوب	5 four-leaf (four-leaved) clover	بَرْسيم رباعي الورقات
20 leaf blade (blade, lamina)	نَصْل الورقة	6 kidney vetch (lady's finger, lady-finger)	نَقْل الرمال الأصفر
21 leaf sheath	عِمْد الورقة	7 flower	زَهْرَة
22 ligule (ligula)	لَسِين	8 pod	سَفَة، عُلْفَة، قَرْن
23 wheat	الحنطة، القمح	9 lucerne (lucerne, purple medick)	لُصْفِصَة (رطلة)
24 spelt	حنطة مَحْشِيَة أصلية	10 sainfoin (cock's head, cockshead)	إيْدوسارون، رأس الديك
25 seed; <i>unripe</i> : green spelt, a soup vegetable	حَبّة، غير ناضجة حبة خضراء	11 bird's foot (bird-foot, bird's foot trefoil)	قَرْن الغزال (الوطس قرنيّ)
26 barley	الشعير	12 corn spurrey (spurrey, spurry), a spurrey (spurry)	إسْبِرغولة
27 oat panicle, a panicle	عُتْكول	13 common comfrey, one of the borage family (Boraginaceae)	سَنْفِيون مَحْزَني، نبات من المصمّميات
28 millet	شُمام، دُخن	14 flower (blossom)	زَهْرَة
29 rice	الأرز	15 field bean (broad bean, tick bean, horse bean)	فول الحقل
30 rice grain	حَبّة أرز	16 pod	سَفَة، عُلْفَة، قَرْن
31 maize (Indian corn, Am. corn); <i>varieties</i> : popcorn, dent corn, flint corn (flint maize, Am. Yankee corn), pod corn (<i>Am.</i> cow corn, husk corn), soft corn (<i>Am.</i> flour corn, squaw corn), sweet corn	الذرة؛ أنواعها ذرة مَغْفَقَة، ذرة صفراء، ذرة شامية، مَحْزَسة، ذرة شامية، ذرة شامية حلوة	17 yellow lupin	تَرْمِس أصفر عطر
32 female inflorescence	إزْهَراء (تثوير) أنثوي	18 common vetch	بِقْعة شائعة
33 husk (shuck)	قشرة	19 chick-pea	حَصّص، العلامَة
34 style	حامل السمة	20 sunflower	عِباد/دَوّار الشمس
35 male inflorescence (tassel)	إزْهَراء ذكري (شُرابة الذرة)	21 mangold (mangel-wurzel, mangold-wurzel, field mangel)	سَمْتَدْر، بَنْجَر، سَلَق
36 maize cob (<i>Am.</i> corn cob)	كوز الذرة	22 false oat (oat-grass)	خزطال عادي
37 maize kernel (grain of maize)	حَبّة الذرة	23 spikelet	سَبْلة
38-45 root crops	المحاصيل الجذرية	24 meadow fescue grass, a	سَمْتوكَة
38 potato plant (potato), a tuberous plant; <i>varieties</i> : round, round-oval (pear-shaped), flat-oval, long, kidney-shaped potato; <i>accord-</i>	نبات البطاطا/المطاطس أنواعه مستديرة، أحاصية، مستوية أحاصية، طويلة، شبيهة بالكلية، من حيث اللون أبيض، أصفر، أحمر، قرمزي		

fescue
25 cock's foot (cocksfoot)
26 Italian ryegrass; *sim.*: perennial ryegrass (English ryegrass)
27 meadow foxtail, a paniculate grass
28 greater burnet saxifrage
70 Breeds of Dog
1-14 mastiffs
1 bulldog
2 ear, a rose-ear
3 muzzle
4 nose
5 foreleg
6 forepaw
7 hind leg
8 hind paw
9 pug (pug dog)
10 boxer
11 withers
12 tail, a docked tail
13 collar
14 Great Dane
15-18 terriers
15 wire-haired fox terrier
16 bull terrier
17 Scotch terrier (Scottish terrier)
18 Bedlington terrier
19 Pekinese (Pekingese, Pekinese dog, Pekingese dog)
20-22 spitzes
20 spitz (Pomeranian)
21 chow (chow-chow)
22 husky
23-24 greyhounds (*Am.* grayhounds)
23 Afghan (Afghan hound)
24 greyhound (*Am.* grayhound), a courser
25 Alsatian (German sheepdog, *Am.* German shepherd), a police dog, watch dog, and guide dog
26 flews (chaps)
27 Dobermann terrier
28 dog brush

29 dog comb
30 lead (dog lead, leash); *for hunting*: leash
31 muzzle
32 feeding bowl (dog bowl)
33 bone
34 Newfoundland dog
35 schnauzer
36 poodle; *sim. and smaller*: pygmy (pigmy) poodle
37 St. Bernard (St. Bernard dog)
37-43 hunting dogs
38 cocker spaniel
39 dachshund, a terrier
40 German pointer
41 English setter
42 trackhound
43 pointer, a trackhound
71 Horse I
1-6 equitation (high school riding, haute école)
1 piaffe
2 walk
3 passage
4 levade (pesade)
5 capriole
6 courbette (curvet)
7-25 harness
7-13, 25 bridle
7-11 headstall (headpiece, halter)
7 noseband
8 cheek piece (cheek strap)
9 browband (front band)
10 crownpiece
11 throatlatch (throatlash)
12 curb chain
13 curb bit
14 hasp (hook) of the hame (*Am.* drag hook)
15 pointed collar, a collar
16 trappings (side trappings)
17 saddle-pad
18 girth
19 backband

منشط الكلاب
 مفود الكلب (السلسلة)
 كمامة الخنم
 وعاء الطعام
 عظمة
 كلب نيو فونلاند
 الشنوزر
 البولدر: القزم
 السنتيرنار
 كلاب الصيد
 الكوكر: كلب صغير
 مسترخي الأذنين حريري
 الشعر يستخدم في الصيد
 النشوند
 كلب صيد ذو ذيل صغير
 مدبب
 الساطر الإنجليزي كلب
 صيد تدرب على الوقوف
 حالما يشتد القنص
 قمصا الأثر (كلب صيد)
 قمصا الأثر (كلب صيد)
 الحصان/الفارس (I)
 ركوب الخيل، الفروسية
 معز ضرب الأرض
 بالحوافر
 المشي العادي
 خيب بطئ
 توثب الوقوف على
 القامشتين الخلفيتين
 قفز، وثب
 طقم الفرس (عدة لجامه)
 اللجام
 العذار
 المنظمة، حنّام
 العذار
 شريط الجبهة
 الشريط العلوي (التاجي)
 رباط الحلق
 سلسلة الشكبية
 الشكبية
 يشبك السطح
 طوق مدبب الطرف
 الجمل
 خشيبة السرج
 حزام السرج
 حزام الظهر

20 shaft chain (pole chain)
21 pole
22 trace
23 second girth (emergency girth)
24 trace
25 reins (*Am.* lines)
26-36 breast harness
26 blinker (*Am.* blinder, winker)
27 breast collar ring
28 breast collar (Dutch collar)
29 fork
30 neck strap
31 saddle-pad
32 loin strap
33 reins (rein, *Am.* line)
34 crupper (crupper-strap)
35 trace
36 girth (belly-band)
37-49 saddles
37-44 stock saddle (*Am.* western saddle)
37 saddle seat
38 pommel horn (horn)
39 cantle
40 flap (*Am.* fender)
41 bar
42 stirrup leather
43 stirrup (stirrup iron)
44 blank
45-49 English saddle (cavalry saddle)
45 seat
46 cantle
47 flap
48 roll (knee roll)
49 pad
50-51 spurs
50 box spur (screwed jack spur)
51 strapped jack spur
52 curb bit
53 gag bit (gag)
54 currycomb
55 horse brush (body brush, dandy brush)
72 Horse II
1-38 points of the horse
1-11 head (horse's head)
1 ear
2 forelock
3 forehead
4 eye
5 face
6 nose

سلسلة عريش العربية
 عريش، قضيب
 سير الجر
 حزام احتياطي للسرج
 سير الجر
 العنان، السرج
 عدة الصدر
 غمامة الفرس
 حلقة طوق الصدر
 طوق الصدر
 شريط مشعب
 شريط العنق
 حشية السرج
 حزام الفاصرة
 العنان، السرج
 المذبذبة (حزام كفل الحصان)
 سير الجر
 حزام السرج
 أنواع السرج
 السرج الغربي
 مقعد السرج
 الحنج
 قروبوس السرج الخلفي
 قلابة
 قضيب
 معلقا الركاب
 الركاب
 قرشنة
 السرج الإنجليزي (سرج الخيالة)
 مقعد السرج
 قروبوس السرج الخلفي
 قلابة
 لفافة
 حشية
 أشكال المهمان
 مهمان صدنوقي
 مهمان شريطي
 الشكبية
 الكمامة
 الحصى، فرجون
 فرشاة الفرس
 الحصان/الفارس (2)
 أعضاء الحصان
 الرأس (رأس الحصان)
 أذن
 حلقة جنبية، الناصية
 الجبهة
 عين
 وجه
 الأنف، المنخر

7 nostril
8 upper lip
9 mouth
10 underlip (lower lip)
11 lower jaw
12 crest (neck)
13 mane (horse's mane)
14 crest (horse's crest)
15 neck
16 throat (*Am.* throatlatch, throatdash)
17 withers
18-27 forehand
18 shoulder
19 breast
20 elbow
21 forearm
22-26 forefoot
22 knee (carpus, wrist)
23 cannon
24 fetlock
25 pastern
26 hoof
27 chestnut (castor), a callosity
28 spur vein
29 back
30 loins (lumbar region)
31 croup (rump, crupper)
32 hip
33-37 hind leg
33 stifle (stifle joint)
34 root (dock) of the tail
35 haunch
36 gaskin
37 hock
38 tail
39-44 gaits of the horse
39 walk
40 pace
41 trot
42 canter (hand gallop)
43-44 full gallop
43 full gallop at the moment of descent on to the two forefeet
44 full gallop at the moment when all four feet are off the ground
73 Domestic Animals
1-8 cattle and horses
1 cow , a ruminant; *m.* bull; *c.* ox; *f.* cow; *y.* calf
2 horse; *m.* stallion; *c.* gelding; *f.* mare; *y.* foal
 فتحة الأنف
 الشفة العليا
 الحنك
 الشفة السفلى
 الفك السفلي
 عرف الحصان
 شعر عنق الحصان
 عرف الحصان
 الرقبة، العنق
 الحلق، الزور
 الحارك، الكاكية
 مقدم الحصان
 كتف
 صدر
 مرفق
 ساعد
 القامة الأمامية
 ركبتيه
 الوركين
 ثنية
 مفصل الرسغ
 حافر
 جثة، الكستانة
 ورديد مهبازي
 الظهر، الصهوة
 الخاصرة
 كفل/ردف الحصان
 ورك
 القامة الخلفية
 حجيبة (مفصل الحجيبة)
 العسيب (الجزء القاسي من الذيل)
 إلية الحصان
 الفخذ
 عرقوب
 ذيل
 أوضاع المشي والجري عند الحصان
 السير العادي
 الخشب البطيء
 الخشب السريع
 العدو المتوسط، الركض
 العدو السريع، الرمح
 العدو السريع لحظة الهبوط على القامشتين الأماميتين
 العدو السريع لحظة عدم ملاسة الأرجل الأربعة للأرض
 الحيوانات الأليفة
 البقر والخيل
 البقر، حيوان ذو قرون (ذكر ثور، أنثى بقرة، صغير عجل)
 الحصان (ذكر قمل، حصان مخصي، أنثى

3 donkey حصار جمل (صغير مهر)	74 Poultry Farming (Poultry Keeping), Egg Production مزرعة/تربية الدواجن، إنتاج البيض	(dunging conveyor) 28 setting and hatching machine ماكينة حضان وفقس البيض	cock's treadle 66 germinal vesicle 67 white 68 yolk	المؤبصلة الجرثومية زلال البيض المح
4 pack saddle (carrying saddle) سرج الحمل (برذعة)	مزرعة الدواجن	29 ventilation drum [for the setting compartment] الحجيرة الحضان]	75 Rearing (Am. Raising) of Livestock	تربية الماشية
5 pack (load) حمل	1-27 poultry farming (intensive poultry management) نظام ساحة التبن	30 hatching compartment (hatcher) خجيرة الفقس	1 stable إسطبل	
6 tufted tail ذيل ينتهي بخصلة	1 fold unit for growing stock (chick unit) وحدة تربية الكتاكيت	31 metal trolley for hatching trays ترولي معدني لصواني الفقس	2 horse stall (stall, horse box, box) مربط الحصان في الإسطبل	
7 tuft خصلة	2 chick كتكوت، صوص	32 hatching tray صينية فقس	3 feeding passage قناة العلف/التغذية	
8 mulch, a cross between a male donkey and a mare بغل هجين من ذكر الحمار وأنثى الحصان	3 brooder (hover) مفقس	33 ventilation drum motor محرك/موتور أسطوانة التهوية	4 pony مهر، حصان صغير	
9 pig, a cloven-hoofed animal; m. boar; f. sow; y. piglet الخنزير، حيوان مشقوق الحافر (ذكر خنزير، أنثى خنزيرة، صغير خنوص)	4 adjustable feeding trough وعاء علف قابل لتعديل حجمه	34-53 egg productions 34 egg collection system (egg collection) وحدة تربية الدجاج الصغير	5 bars قضبان	
10 pig's snout (snout) فنتسية الخنزير	5 pullet fold unit وحدة تربية الدجاج الصغير	35 multi-tier transport نظام نقل متعدد الطبقات	6 litter فضلات متناثرة، مهاد من القش	
11 pig's ear أذن الخنزير	6 drinking trough وعاء الشرب	36 collection by pivoted fingers الجمع بواسطة أصابع تدور على محور	7 bale of straw بالة قش	
12 curly tail ذيل معقوف	7 water pipe ماسورة مياه	37 drive motor موتور الإدارة	8 ceiling light مستباح السقف	
13 sheep, m. ram; c. wether; f. ewe; y. lamb شاة (ذكر كبش، خروف مخصي، أنثى نعجة، صغير حمل)	8 litter القش	38 sorting machine ماكينة فرز	9 sheep pen حظيرة الخراف	
14 goat مغزاة، ماعز	9 pullet دجاجة صغيرة	39 conveyor trolley ترولي ناقل	10 mother sheep (ewe) شاة، نعجة	
15 goat's beard لحية المغزاة	10 ventilator منفذ تهوية	40 fluorescent screen شاشة فلوري	11 lamb حمل	
16 dog, a Leonberger; m. dog; f. bitch; y. pup (puppy, whelp) الكلب (ذكر كلب، أنثى كلبة، صغير جرو)	11-17 broiler rearing (rearing of broiler chickens) تربية الدجاج	41 suction apparatus (suction box) for transporting eggs جهاز شافط لنقل البيض	12 double hay rack رف تبن مزدوج	
17 cat, an Angora cat (Persian cat); m. tom (tom cat) القط (قط سيامي)، ذكر قط/هر	11 chicken run (Am. fowl run) عشة الدجاج	42 shelf for empty and full egg boxes رف لصناديق البيض الفارغة والمملوءة	13 hay تبن/حشيش مجفف كملف	
18-36 small domestic animals حيوانات منزلية صغيرة	12 broiler chicken (broiler) دجاجة، فروج	43 egg weighers موازين البيض	14 dairy cow shed حظيرة البقر الحلوب	
18 rabbit; m. buck; f. doe الأرنب، (ذكر أرنب، أنثى أرنبية)	13 mechanical feeder (self-feeder, feed dispenser) جهاز توزيع علف آلي	44 grading وحدة تصفيف	15-16 tether الطوق	
19-36 poultry (domestic fowl) الطيور الداجنة	14 chain سلسلة	45 egg box صندوق بيض	16 litter سلسلة قضيب	
19-26 chicken فروج	15 feed supply pipe أنبوب إمداد العلف	46 fully automatic egg-packing machine ماكينة تعبئة البيض أليا بالكامل	17 dairy cow (milch-cow, milker) بقرة حلوب	
19 hen دجاجة	16 mechanical drinking bowl (mechanical drinker) إناء شرب ممتلئ أليا	47 radioscope box صندوق الراديو سكوب	18 udder ضرع	
20 crop (craw) حوصلة	17 ventilator منفذ تهوية (نظام الأقفاس)	48 radioscope table طاولة الراديو سكوب	19 teat حلمة	
21 cock (Am. rooster); c. capon ديك	18 battery system (cage system) نظام بطارية	49-51 feeder جهاز تلقيم العلف	20 manure gutter التخلص من الروث عن طريق قضبان انزلاقية	
22 cockscomb (comb, crest) عرق الديك	19 battery (laying battery) بطارية وضع البيض	49 suction transporter جهاز نقل شفاط	21 manure removal by sliding bars مربط قصير	
23 lap طية	20 tiered cage (battery cage, stepped cage) قفص متعدد الأدوار (قفص يعمل بالبطارية، قفص مدرج)	50 vacuum line خط تفريغ	22 short standing عنبر حلب البقر	
24 wattle (gill, dewlap) غيب	21 feeding trough وعاء العلف	51 supply table طاولة التموين/الإمداد	23 milking parlour (Am. parlour), a herringbone parlour ممر/رذفة العمل الحلاب، الحالب	
25 falcate (falcated) tail ذيل معقوف	22 egg collection by conveyor جمع البيض بواسطة سير ناقل	52 automatic counting and grading جهاز العد والتصنيف الآلي	24 working passage ممر/رذفة العمل	
26 spur شوكة في رجل الديك	23-27 mechanical feeding and dunging (manure removal, droppings removal) تقديم العلف والتخلص من الروث أليا	53 packing box dispenser موزع صناديق التعبئة	25 milker (Am. milkman) الحالب	
27 guinea fowl الفرغرغ (دجاج حيشي)	24 feed hopper قادوس العلف	54 leg ring حلقة الساق	26 teat cup cluster مجموعة كأس الحلمة	
28 turkey; m. turkey cock (gobbler); f. turkey hen ديك رومي، نجاجة رومية	25 endless-chain feed conveyor (chain feeder) جهاز تقديم علف مزود بسلسلة مقفلة	55 wing tally (identification tally) بطاقة تعريف (تثبت في الجناح)	27 milk pipe خط حواء	
29 fan tail ذيل مروحي	26 water pipe (liquid feed pipe) أنبوب الماء (أنبوب السوائل)	56 bantam النظام (دجاج صغير الحجم)	28 air line خط هواء	
30 peacock طاووس	27 dunging chain سلسلة التخلص من الروث	57 laying hen دجاجة بياضة	29 vacuum line خط تفريغ	
31 peacock's feather ريش الطاووس		58 hen's egg (egg) بيضة دجاجة (بيضة)	30 teat cup كأس الحلمة	
32 eye (ocellus) بغمة، عين		59 eggshell, an egg integument قشرة البيضة	31 window نافذة	
33 pigeon; m. cock pigeon الحمام، ذكر الحمام		60 shell membrane غشاء القشرة (الكفت)	32 pulsator مضخة نابضة	
34 goose; m. gander; y. gosling الوز، ذكر الوز، صغير فرخ الوز		61 air space فراغ به هواء	33 release phase طور إطلاق اللبن	
35 duck; m. drake; y. duckling البط، ذكر ذكر البط، صغير بطيطة، فرخ البط		62 white [of the egg] (albumen) البياض، زلال البيض	34 squeeze phase طور العصر	
36 web (palmations) of webbed foot (palmate foot) وترة قدم ذات وترات		63 chalaza (Am. treadle) كلازا، خيوط الأح	35 pigsty (Am. pigpen, hogpen) حظيرة صغار الخنازير	
		64 vitelline membrane (yolk sac) غشاء المح	36 pen for young pigs وعاء التغذية (العلف)	
		65 blastodisc (germinal disc, cock's tread, القرص الجرثومي	37 feeding trough حاجز، فاصل	
			38 partition خنازير، خنوص	
			39 pig, a young pig حظيرة الإخصاء والتخزين	
			40 farrowing and store pen خنزيرة	
			41 sow خننايص (خننايص رضية)	
			42 piglets (Am. shoats, خننايص	

shots) (sucking pigs for first 8 weeks))	إمداء الثمانية أسابيع الأولى	continuous butter making	أُتُوب امداد الرُبْد مأكية تشكيل الرُبْد مأكية تعبئة	19 oesophagus (esophagus, gullet)	العَرِيء	<i>Am. beeman</i>	حجاب واق من النحل
43 farrowing rails	حواجز/ قضبان الإخناص	34 butter supply pipe	أُتُوب امداد الرُبْد مأكية تشكيل الرُبْد مأكية تعبئة	20-24 compound eye	عين مركبة	58 bee veil	جهاز طرد النحل بالذخا
44 liquid manure channel	قناة تصريف الروث السائل	35 shaping machine	أُتُوب امداد الرُبْد مأكية تشكيل الرُبْد مأكية تعبئة	20 facet	عدسة قرنية	59 bee smoker	قراض عسل طبيعي
76 Dairy	مَعْمَل الألبان	36 packing machine	عبوات رُبْد مَيْسَمَة بعلامة تجارية وزن 250 جم مأكية إنتاج الجبن الخاثر	21 crystal cone	مُخْرُوط بلوري	60 natural honeycomb	فُرْأَة العسل
1-48 dairy (dairy plant)	مَعْمَل الألبان (ممسع الألبان)	37 branded butter in 250g packets	مبضخة الجبن الخاثر	22 light-sensitive section	قطاع حساس للضوء	61 honey extractor (honey separator)	عسل مَصْفَى
1 milk reception	استقبال اللبن	38 plant for producing curd cheese (curd cheese machine)	مبضخة الجبن الخاثر	23 fibre (<i>Am. fiber</i>) of the optic nerve	ليفَة العَصَب البصري	62-63 strained honey (honey)	دَلُو عسل
2 milk tanker	صهريج/ خزان اللبن	39 curd cheese pump	مبضخة إمداد القشدة	24 optic nerve	عَصَب بصري	62 honey pail	مرطبان عسل
3 raw milk pump	مبضخة اللبن الخام (غير المخلوط بالماء)	40 cream supply pump	فُرْأَة الخنار	25 wax scale	طبقة شمعية	63 honey jar	عسل داخل القراض
4 flowmeter, an oval (elliptical) gear meter	مقياس تدفق اللبن	41 curds separator	فُرْأَة الخنار	26-30 cell	خلية	64 honey in the comb	فتيلة مشبعة
5 raw milk storage tank	خزان اللبن الخام	42 sour milk vat	رافود اللبن الرائب	26 egg	بيضة	65 wax taper	شمعة العسل
6 gauge (<i>Am. gage</i>)	مقياس	43 stirrer	ذراع التقلب	27 cell with the egg in it	خلية بها بيضة	66 wax candle	شمع العسل
7 central control room	غرفة التحكم المركزي	44 curd cheese packing machine	مأكية تعبئة الجبن الخاثر	28 young larva	يرقة صغيرة	67 beeswax	مَرْهَم لمعالجة لدغ النحل
8 chart of the dairy	مُخَطَّط منتجات اللبن	45 packeted curd cheese	جبن خاثر مَعْمَأ	29 larva (grub)	يرقة، يرقات	68 bee sting ointment	
9 flow chart (flow diagram)	مُخَطَّط العمليات	46 bottle-capping machine (capper)	مأكية سدادات زجاجات اللبن	30 chrysalis (pupa)	خادرة		
10 storage tank gauges (<i>Am. gages</i>)	مقاييس صهاريج التخزين	47 cheese machine	مأكية صنع الجبن	31-43 honeycomb	فُرْأَة العسل	78 Wine Growing (Viticulture, Viticulture)	منطقة زراعة الكرمة
11 control panel	لوحة التحكم	48 rennet vat	رافود الأنفحة/ المبقحة	31 brood cell	خلية حضان	1-21 vineyard area	منطقة زراعة الكرمة
12-48 milk processing area	منطقة تصنيع اللبن	77 Bees and Beekeeping (Apiculture)	النحل و تربية النحل (النحالة)	32 sealed (capped) cell with chrysalis (pupa)	خلية مُحْكَمَة السد بداخلها خادرة	1 vineyard using wire trellises for training vines	كْرَم يستخدم فيه تعريشات من السلك لتعريض الكروم
12 sterilizer (homogenizer)	جهاز تعقيم	1-25 bee (honey-bee, hive-bee)	نحلة (نحلة العسل، نحلة الخلية)	33 sealed (capped) cell with honey (honey cell)	خلية عسل مُحْكَمَة	2-9 vine (<i>Am. grapevine</i>)	كْرَم
13 milk heater; <i>sim.</i> : cream heater	جهاز تسخين اللبن؛ مثله جهاز تسخين القشدة	1, 4, 5 castes (social classes) of bees	طبقات النحل الاجتماعية	34 worker cells	خلية عسل مُحْكَمَة	2 vine shoot	فَرْع كْرَمَة
14 cream separator	فُرْأَة القشدة	1 worker (worker bee)	عمل من الفلاح على الساق الخلفية	35 storage cells, with pollen	خلية عسل مُحْكَمَة	3 long shoot	نبتة طويلة
15 fresh milk tanks	خزانات اللبن الطازج	2 three simple eyes (ocelli)	ثلاث أعين بسيطة	36 drone cells	خلية عسل مُحْكَمَة	4 vine leaf	ورقة من أوراق الكرمة
16 tank for sterilized milk	خزان لبن مَعْمَأ	3 load of pollen on the hind leg	حمل من اللقاح على الساق الخلفية	37 queen cell	خلية الملكة	5 bunch of grapes (cluster of grapes)	عقود عنب
17 skim milk (skimmed milk) tank	خزان لبن مَزْرُوع الدسم	4 queen (queen bee)	ملكة	38 queen emerging from her cell	خلية الملكة وهي تخرج من خليتها	6 vine stem	ساق الكرمة
18 buttermilk tank	خزان المخبيض	5 drone (male bee)	ذکر النحل	39 cap (capping)	غطاء	7 post (stake)	ود
19 cream tank	خزان القشدة	6-9 left hind leg of a worker	القدم اليسرى الخلفية لإحدى الشغالات	40 frame	إطار	8 guy (guy wire)	شدادة، حبل/ سلك تثبيت
20 fresh milk filling and packing plant	معمل تعبئة وتعليب اللبن الطازج	6 pollen basket	سلة اللقاح/ غبار الطلع	41 distance piece	قطعة مبادعة	9 wire trellis	تعريشة سلكية
21 filling machine for milk cartons; <i>sim.</i> : milk tub filler	مأكية تعبئة اللبن في علب كرتون	7 pollen comb (brush)	مُطَّط (فُرْأَة) اللقاح/ غبار الطلع	42 [artificial] honeycomb	قراض عسل [صناعي]	10 tub for grape gathering	دلو لجمع العنب
22 milk carton	علبة لبن من الكرتون	8 double claw	برتن/ مخلب مزدوج	43 septum (foundation, comb foundation)	غشاء فاصل/ حاجز	11 grape gatherer	جامع العنب
23 conveyor belt (conveyor)	سير ناقل	9 suctorial pad	لبيدة ماصة	44 queen's travelling (<i>Am. traveling</i>) box	صندوق نقل الملكة	12 secateurs for pruning vines	مقص لتقليم الكروم
24 shrink-sealing machine	مأكية التغطية وإحكام سد العبوات بالانكماش	10-19 abdomen of the worker	بطن الشغالة	45-50 beehive, a frame hive (movable-frame hive, movable-comb hive)	خلية النحل، متحركة	13 wine grower (vini-culturist, viticulturist)	زارع الكروم
25 pack of twelve in shrink foil	عبوة تحتوي على 12 علبة في رقيقة معدنية	10-14 stinging organs	أعضاء اللدغ	45 super (honey super) with honeycombs	جزء علوي قابل للنزع به أقراص العسل	14 dossier carrier	حامل سلة الكروم
26 ten-litre filling machine	مأكية تعبئة عبوات سعة 10 لترات	10 barb	شوكة	46 brood chamber with breeding combs	أقراص العسل	15 dossier (pannier)	سلة الكروم
27 heat-sealing machine	مأكية إحكام سد الأكياس حرارياً	11 sting	إبرة	47 queen-excluder	حجرة الحضان مزودة بأقراص تربية النحل	16 crushed grape transporter	وعاء نقل العنب المنصهر
28 plastic sheets	أفرخ بلاستيك	12 sting sheath	غند الإبرة	48 entrance	حاجز فصل الملكة	17 grape crusher	عضارة العنب
29 heat-sealed bag	كيس مُحْكَم السد حرارياً	13 poison sac	كيس يحتوي على مادة سامة	49 flight board (alighting board)	مُخَل، فتحة الدخول	18 hopper	قادوس
30 crate	صندوق	14 poison gland	غدة إفراز المادة السامة	50 window	لوح الطيران (لوح الهبوط)	19 three-sided flap extension	امتداد قلاب ذو ثلاثة أبعاد
31 cream maturing vat	رافود إنضاج القشدة	15-19 stomachic-intestinal canal	القناة المعدية المعوية	51 old-fashioned bee shed	نافذة	20 platform	منصة
32 butter shaping and packing machine	مأكية تشكيل وتعبئة الرُبْد	15 intestine	الأمعاء	52 straw hive (skep), a hive	سفينة تربية نحل طراز قديم	21 vineyard tractor, a narrow-track tractor	جرار الكرم، جرار صغير
33 butter churn, a cream-ery butter machine for	مُخَضَّة الرُبْد، مأكية صنع الرُبْد، المَقْشدة	16 stomach	المعدة	53 swarm (swarm cluster) of bees	خلية من القش		
		17 contractile muscle	عضلة قابضة	54 swarming net (bag net)	خَشْرَم (جماعة من النحل)	79 Wine Cellar	قبو الخمر
		18 honey bag (honey sac)	كيس/ جيب العسل	55 hooked pole	شبكة الخَشْرَم	1-22 wine cellar (wine vault)	قبو الخمر
				56 apiary (bee house)	قضيب ذو خنطاف	1 vault	قبو، سرداب
				57 beekeeper (apiarist,	مُحَل (بيت النحل)	2 wine cask	برميل الخمر
					عامل المُحَل (النحل)	3 wine vat, a concrete vat	رافود الخمر، رافود خرساني
						4 stainless steel vat (<i>also</i> : vat made of synthetic	رافود مصنوع من صلب لا

material)	يصدأ (أيضاً وغاء مصنوع من مادة صناعية)	20-27 vine pests	آفات الكروم	51 sugar beet eelworm, a nematode (a thread-worm, hairworm)	أينفليس البتجر (دودة خيطية، دودة شعرية)	30 Angoumois grain moth caterpillar inside a grain kernel	يسرور الفرائشة داخل نواة حبة من الحبوب
5 propeller-type high-speed mixer	خلاط بمروحة عالي السرعة	21 downy mildew, a disease causing leaf drop	عيب مصاب الإرميداء	52 Colorado beetle (potato beetle)	خنفساء كلورادو (خنفساء البطاطس)	31-42 parasites of man	طفيليات الإنسان
6 propeller mixer	خلاط مروحة/برقاص	22 grape affected with downy mildew	فراشة العنب	53 mature larva (grub)	يرقانة ناضجة	31 round worm (maw worm)	الدودة الأسطوانية
7 centrifugal pump	مضخة نايدة	23 first-generation larva of the grape-berry moth (<i>Am. grape worm</i>)	يرقانة الجيل الأول لفراشة العنب	54 young larva (grub)	يرقانة صغيرة	32 female	أنثى
8 stainless steel sediment filter	مرشح رواسب مصنوع من صلب لا يصدأ	24 second-generation larva of the grape-berry moth (<i>Am. grape worm</i>)	يرقانة الجيل الثاني لفراشة العنب	55 eggs	بيض	33 head	رأس
9 semi-automatic circular bottling machine	ماكينة دوارة نصف آلية لتعبئة الزجاجات	25 chrysalis (pupa)	خادرة	81 House Insects, Food Pests, and Parasites	الحشرات المنزلية وآفات الطعام والطفيليات	34 male	ذكر
10 semi-automatic corking machine	ماكينة سدادات فلبينية نصف آلية	26 root louse, a grape phylloxera	فكسيرة الكرم	1-14 house insects	الحشرات المنزلية	35 tapeworm, a flatworm	دودة شريطية/خيطية
11 bottle rack	رف الزجاجات	27 root gall (knotty swelling of the root, nodosity, tuberosity)	عقصة الجذور (تورم عقدي للساق)	1 lesser housefly	ذبابة منزلية صغيرة	36 head, a suctorial organ	رأس، عضو ماص
12 cellarer's assistant	عامل القبو، مساعد القبو	28 brown-tail moth	لبيلة البقول	2 common housefly	الذبابة المنزلية الشائعة	37 sucker	مصاص، عضو المص
13 bottle basket	سلة الزجاجات	29 caterpillar	سرقف، أسرع	3 chrysalis (pupa, co-arcate pupa)	الذبابة المنزلية الشائعة خادرة (عذراء مستورة)	38 crown of hooks	تاج من الخطافات
14 wine bottle	زجاجة خمر	30 batch (cluster) of eggs	عنفود بيض	4 stable fly (biting housefly)	ذبابة الإسطبل (ذبابة منزلية لادغة)	39 bug (bed bug, <i>Am. chinch</i>)	البق (بق الفراش)
15 wine jug	دورق الخمر	31 hibernation cocoon	عنفود بيض	5 trichotomous antenna	قرن استشعار ثلاثي	40 crab louse (a human louse)	قمل العانة (قمل الإنسان)
16 wine tasting	تذوق جودة الخمر	32 woolly apple aphid (American blight), an aphid	عقود بيض	6 wood louse (slater, <i>Am. sow bug</i>)	جسار قبان	41 clothes louse (body louse, a human louse)	قمل الملابس (قمل الجسم، قمل الإنسان)
17 head cellarman	رئيس عامل القبو	33 gall caused by the woolly apple aphid	عقود بيض	7 house cricket	الجذجد صرار الليل المنزلي	42 flea (human flea, common flea)	برغوث شائع
18 cellarman	عامل القبو	34 woolly apple aphid colony	شرققة الإسبات الشتوي	8 wing with stridulating apparatus (stridulating mechanism)	الجذجد صرار الليل المنزلي جناح ذو آلية إصدار الصرير	43 tsetse fly	ذبابة تسي تسي
19 wineglass	كأس خمر	35 San-José scale, a scale insect (scale louse)	أرقعة التفاح القطنية	9 house spider	العنكبوت المنزلي	44 malaria mosquito	بعوضه الملاريا
20 inspection apparatus [for spot-checking samples]	جهاز الفحص [للفحص العينات الفوري]	36 larvae (grubs) [male elongated, female round]	الرقمية الفكاعة	10 spider's web	بيت العنكبوت	82 Forest Pests	الآفات الحراجية
21 horizontal wine press	عصارة خمور أفقية	37 woolly apple aphid colony	الرقمية الفكاعة	11 earwig	أبو مقص	1 cockchafer (May bug), a lamellicorn	الدودة البيضاء
22 humidifier	جهاز ضبط الرطوبة في القبو	38 San-José scale, a scale insect (scale louse)	الرقمية الفكاعة	12 caudal pincers	مقص ذبلي/ذني	2 head	رأس
80 Garden and Field Pests	آفات الحدائق والحقول	39 larvae (grubs) [male elongated, female round]	الرقمية الفكاعة	13 clothes moth, a moth	عثة الملابس	3 antenna (feeler)	قرن استشعار
1-19 field pests	آفات الفساحة	40 click beetle, a snapping bug (<i>Am. snapping bug</i>)	الرقمية الفكاعة	14 silverfish (<i>Am. slicker</i>), a bristletail	لاجسة السكر	4 thoracic shield (prothorax)	درع ذوري
1 gipsy (gypsy) moth	قرية إسفنجية	41 wireworm, larva of the click beetle	دودة السلك، يرقانة الخنفساء النطاطة	15-30 food pests (pests to stores)	حشرات الطعام (حشرات المخازن)	5 scutellum	صفحة خرسيفية، خرسفة الأرجل
2 batch (cluster) of eggs	عنفود بيض	42 hessian fly, a gall midge (gall gnat)	دودة السلك، يرقانة الخنفساء النطاطة	15 cheese fly	ذبابة الجبن	6 front leg	رجل أمامية
3 caterpillar	سرقف، أسرع	43 larva (grub)	دودة السلك، يرقانة الخنفساء النطاطة	16 grain weevil (granary weevil)	سوسة الجبن	7 middle leg	رجل وسطية
4 chrysalis (pupa)	خادرة	44 larva (grub)	دودة السلك، يرقانة الخنفساء النطاطة	17 cockroach (black beetle)	سوسة الحنطة، سوسة الحبوب	8 back leg	رجل خلفية
5 small ermine moth, an ermine moth	فراشة التفاح	45 cutworm, a caterpillar	دودة قارضة، سرقفة الخنفساء الشونذر الكاملة، درقة الشونذر	18 meal beetle (meal worm beetle, flour beetle)	صراصير (خنفساء سوداء) خنفساء الدقيق	9 abdomen	المعدة
6 larva (grub)	يرقانة	46 larva (grub)	دودة قارضة، سرقفة الخنفساء الشونذر الكاملة، درقة الشونذر	19 spotted bruchus	سوسة منقطة، خنفساء سوسية منقطة	10 elytron (wing case)	غمد
7 tent	خيمة	47 large cabbage white butterfly	دودة قارضة، سرقفة الخنفساء الشونذر الكاملة، درقة الشونذر	20 larva (grub)	سوسية منقطة، خنفساء سوسية منقطة	11 membranous wing	جناح غشائي
8 caterpillar skeletonizing a leaf	سرقفة/أسرع يأتي على ورقة شجر	48 caterpillar of the small cabbage white butterfly	دودة قارضة، سرقفة الخنفساء الشونذر الكاملة، درقة الشونذر	21 chrysalis (pupa)	يرقانة خادرة	12 cockchafer grub, a larva	يرقانة الدودة البيضاء
9 fruit-surface-eating tortrix moth (summer fruit tortrix moth)	عفاصة، فتالة	49 brown leaf-eating weevil, a weevil	دودة قارضة، سرقفة الخنفساء الشونذر الكاملة، درقة الشونذر	22 leather beetle (hide beetle)	خادرة (عذراء) حشرة الطيثار	13 chrysalis (pupa)	خادرة (عذراء)
10 appleblossom weevil, a weevil	خنفساء التفاح	50 feeding site	دودة قارضة، سرقفة الخنفساء الشونذر الكاملة، درقة الشونذر	23 yellow meal beetle	سوسة منقطة، خنفساء سوسية منقطة	14 processional moth, a nocturnal moth (night-flying moth)	قرية البلوط الجزارة، فراشة لبيلة
11 punctured, withered flower (blossom)	زهرة ذابلة		دودة قارضة، سرقفة الخنفساء الشونذر الكاملة، درقة الشونذر	24 chrysalis (pupa)	سوسة منقطة، خنفساء سوسية منقطة	15 moth	فراشة
12 hole for laying eggs	حفرة لوضع البيض		دودة قارضة، سرقفة الخنفساء الشونذر الكاملة، درقة الشونذر	25 cigarette beetle (tobacco beetle)	يرقانة خادرة	16 caterpillars in procession	يسرور جزار
13 lackey moth	قرية نصطريا		دودة قارضة، سرقفة الخنفساء الشونذر الكاملة، درقة الشونذر	26 maize billbug (corn weevil)	سوسة الذرة	17 nun moth (black arches moth)	قرية الراهية
14 caterpillar	سرقف، أسرع		دودة قارضة، سرقفة الخنفساء الشونذر الكاملة، درقة الشونذر	27 one of the Cryptolestes, a grain pest	أفة حبوب	18 moth	فراشة
15 eggs	بيض		دودة قارضة، سرقفة الخنفساء الشونذر الكاملة، درقة الشونذر	28 Indian meal moth	فراشة الدقيق الهندي	19 eggs	بيض
16 winter moth, a geometrid	أرقية شتوية		دودة قارضة، سرقفة الخنفساء الشونذر الكاملة، درقة الشونذر	29 Angoumois grain moth (Angoumois moth)	فراشة حبوب الانجوموز	20 caterpillar	يسرور
17 caterpillar	سرقف، أسرع		دودة قارضة، سرقفة الخنفساء الشونذر الكاملة، درقة الشونذر			21 chrysalis (pupa) in its cocoon	خادرة بداخل شرقتها
18 cherry fruit fly, a borer	ذبابة الكرز		دودة قارضة، سرقفة الخنفساء الشونذر الكاملة، درقة الشونذر			22 typographer beetle, a bark beetle	خنفساء القلق/اللحاء
19 larva (grub, maggot)	يرقانة		دودة قارضة، سرقفة الخنفساء الشونذر الكاملة، درقة الشونذر			23-24 galleries under the bark	دهاليز أسفل اللحاء

23 egg gallery	دهليز البيض	17 tray	صينية	electric motor		lumberman, timber-jack) turning (<i>Am.</i> canting) timber	
24 gallery made by larva	دهليز صنفته البرقانة	18 spray gun	مسدس الرش	54 bag filter	مرشح الأكياس		
25 larva (grub)	برقانة	19 twist grip (control grip, handle) for regulating the jet	قبضة لتنظيم النفاث	55 bagging nozzle	فوهة تعبئة الأكياس		
26 beetle	خنفساء	20 finger guard	وقاء الإصبع	56 dedusting screen (dust removal screen)	غربال فصل الأتربة	19 bole (tree trunk, trunk, stem)	جذع شجرة
27 pine hawkmoth, a hawkmoth	أبو الهول الصنوبري	21 control lever (operating lever)	ذراع التشغيل	57 water canister [containing water for spraying]	وعاء الماء (يحتوى على ماء الرش)	20 feller numbering the logs	قاطع الخشب يرقم زائد الأشجار
28 pine moth, a geometrid	قرية الصنوبر	22 spray tube	أنبوبة الرش	58 spray unit	وحدة الرش	21 steel tree calliper (caliper)	قائمة خشب معدنية
29 male moth	فراشة ذكر	23 cone nozzle	فوهة مخروطية	59 conveyor unit with mixing screw	وحدة نقالة ذات برغي خلط	22 power saw (motor saw) cutting a bole	مشار كهربائي يقطع جذع شجرة
30 female moth	فراشة أنثى	24 hand spray	رشاش يدوي	60 container for disinfectant powder with dosing mechanism	حاوية المسحوق المظهر ذات آلية رش جرعات محددة	23 safety helmet with visor and ear pieces	خوذة أمان مزودة بواقعي للعينين والأذنين
31 caterpillar	يسروع	25 plastic container	حاوية من البلاستيك	61 castor	دولاب صغير	24 annual rings	حلقات تحديد عمر الشجرة
32 chrysalis (pupa)	خادرة (عدراء)	26 hand pump	مضخة يدوية	62 mixing chamber	غرفة خلط محلول الرش	25 hydraulic felling wedge	إسفين قطع هيدرولي
33 oak-gall wasp, a gall wasp	زنبور عفصة البلوط	27 pendulum spray for hop growing on slopes	الرش البندولي لزراعة حشيشة الدينار على المنحدرات			26 protective clothing [orange top, green trousers]	لباس واق [قميص برتقالي وسروال أخضر]
34 oak gall (oak apple), a gall	عفصة البلوط	28 pistol-type nozzle	فوهة سنسبية النوع	84 Forestry I	الحراجة (1)	27 felling with a power saw (motor saw)	قطع الشجر بمشار كهربائي
35 wasp	زنبور	29 spraying tube	فوهة سنسبية النوع	1-34 forest, a wood	غابة	28 undercut (notch, throat, gullet, mouth, sink, kerf, birdsmouth)	تم قطع الشجرة
36 larva (grub) in its chamber	برقانة في حجرتها	30 hose connection	أنبوبة الرش	1 ride (aisle, lane, section line)	طريق (غير معبدة عادة)	29 back cut	قطع خلفي
37 beech gall	عفصة العرمان/الزان	31 tube for laying poisoned bait	وصلة الخرطوم	2 compartment [section]	قلمعة [قطاع]	30 sheath holding felling wedge	غمد إسفين القطع
38 spruce-gall aphid	أرقة عفصة الراتنجيات	32 fly swat	أنبوب وضع الطعم السام	3 wood haulage way, a forest track	طريق النقل داخل الغابة	31 log	زائد
39 winged aphid	أرقة مجنحة	33 soil injector (carbon disulphide, <i>Am.</i> carbon disulfide, injector) for killing the vine root louse	محقن التربة لقتل آفات جذر الكروم	4-14 clear-felling system	نظام قطع الأشجار	32 free-cutting saw for removing underwood and weeds	مشار القطع الحر لإزالة الشجيرات النامية أسفل الأشجار الكبيرة والنباتات الشيطانية
40 pineapple gall	عفصة الأناناس	34 foot lever (foot pedal, foot treadle)	ميدية	4 standing timber	أشجار منتصبة	33 circular saw (or activated blade) attachment	وصلة مشار دوار
41 pine weevil	سوسة الصنوبر	35 gas tube	محفن التربة لقتل آفات جذر الكروم	5 underwood (underbrush, undergrowth, brushwood, <i>Am.</i> brush)	أجمة	34 power unit (motor)	وحدة الطاقة (موتور)
42 beetle (weevil)	خنفساء (سوسة)	36 mousetrap	محفن التربة لقتل آفات جذر الكروم	6 seedling nursery, a tree nursery	مشتل شجيرات	35 canister of viscous oil for the saw chain	حاوية زيت تزيق سلسلة المشمار
43 green oak roller moth (green oak tortrix), a leaf roller	فتالة، عقاصة	37 vole and mole trap	مقياس الضغط (مانومتر)	7 deer fence (fence), a wire netting fence (protective fence for seedlings); <i>sim.</i> : rabbit fence	سياج لحماية الشتلات (سياج)	36 petrol canister (<i>Am.</i> gasoline canister)	حاوية البنزين
44 caterpillar	يسروع	38 mobile orchard sprayer, a wheelbarrow sprayer (carriage sprayer)	دواسة	8 guard rail	قضيب واق	37 felling of small timber (of small-sized thinnings) (thinning)	قطع شجرة صغيرة
45 moth	فراشة	39 spray tank	خزان سائل الرش	9 seedlings	شتلات		
46 pine beauty	دودة الصنوبر	40 screw-on cover	غطاء ملولب	10-11 young trees	أشجار صغيرة		
47 caterpillar	يسروع	41 direct-connected motor-driven pump with petrol motor	مضخة تدار بمحرك بنزين	10 tree nursery after transplanting	مشتل أشجار بعد نقل وغرس الأشجار		
48 moth	فراشة	42 pressure gauge (<i>Am.</i> gage) (manometer)	مقياس الضغط (مانومتر)	11 young plantation	نبت صغير		
		43 plunger-type knapsack sprayer	مكبس رش ظهرية من الطراز الغاطسي	12 young plantation after brashing	نبت صغير بعد التشبيب		
83 Pest Control	مكافحة الآفات	44 spray canister with pressure chamber	خزان سائل الرش	13 clearing	أرض تم إخلؤها	85 Forestry II	الحراجة (2)
1 area spraying	الرش النطاقي	45 piston pump lever	خزان سائل الرش مزود بغرفة ضغط	14 tree stump (stump, stub)	جذ/أرومة الشجرة	1 axe (<i>Am.</i> ax)	فأس
2 tractor-mounted sprayer	جهاز رش محمول على جرار	46 hand lance with nozzle	ذراع مكبس المضخة	15-37 wood cutting (timber cutting, tree felling, <i>Am.</i> lumbering)	قطع الأشجار	2 edge (cutting edge)	حافة قاطعة
3 spray boom	ذراع الرش	47 semi-mounted sprayer	مزرقات يدوي ذو فوهة آلة رش نصف راكبة	15 timber skidded to the stack (stacked timber, <i>Am.</i> yarded timber)	قطع خشب مكدسة	3 handle (helve)	ذراع الفأس
4 fan nozzle	فوهة الرفاص	48 vineyard tractor	جرار الكروم	16 stack of logs, one cubic metre (<i>Am.</i> meter) of wood	مكبس خشب مكدسة	4 felling wedge (falling wedge) with wood insert and ring	إسفين القطع
5 spray fluid tank	خزانة سائل الرش	49 fan	رفاص	17 post (stake)	رصة من زائد الشجر، متر مكعب من الخشب	5 riving hammer (cleaving hammer, splitting hammer)	مطرقة فلق
6 foam canister for blob marking	حاوية الرغوة	50 spray fluid tank	خزان سائل الرش	18 forest labourer (woodsman, <i>Am.</i> logger, lumberer, lumberjack,		6 lifting hook	خطاف رفع
7 spring suspension	تعليق نابضي	51 row of vines	صف من الكروم			7 cant hook	خطاف مائل
8 spray	رزاز	52 dressing machine (seed-dressing machine) for dry-seed dressing (seed dusting)	صنف من الكروم			8 barking iron (bark spud)	قضيب نزع اللحاء
9 blob marker	أداة التعليم	53 dedusting fan (dust removal fan) with	ماكينة إسقاء البذور الجافة			9 peavy	البيفة
10 foam feed pipe	أنبوبة التغذية بالرغوة		رفاص طرد الأتربة يعمل بمحرك كهربائي			10 slide calliper (caliper) (calliper square)	قائمة منزقة
11 vacuum fumigator (vacuum fumigation plant) of a tobacco factory	وحدة التطهير بالتعريض للدخان في مصنع تبغ					11 billhook, a knife for	منجل
12 vacuum chamber	غرفة خوائية						
13 bales of raw tobacco	بالات التبغ الخام						
14 gas pipe	أنبوبة الغاز						
15 mobile fumigation chamber for fumigating nursery saplings, vine layers, seeds, and empty sacks with hydrocyanic (prussic) acid	غرفة تبخير متنقلة لتطهير شجيرات المشاتل والكروم والبذور والجالات الخالية بحمض الهيدروسيانيك.						
16 gas circulation unit	وحدة تدوير الغاز						

lopping	مطرقة ترقيم دَوارة	ing, <i>Am.</i> stillhunting) in the game preserve	المُخصّصة للصيّد
12 revolving die hammer (marking hammer, marking iron, <i>Am.</i> marker)	مطرقة ترقيم دَوارة	1 huntsman (hunter)	صيّاد
13 power saw (motor saw)	مبشّار كهربائي (مبشّار بموتور)	2 hunting clothes	لباس الصيّد
14 saw chain	سلسلة المَششّار	3 knapsack	حقيرة ظهرية
15 safety brake for the saw chain, with finger guard	مكبّح أمان سلسلة المَششّار له وقاء للإصبع	4 sporting gun (sporting rifle, hunting rifle)	بنديقية صيّد
16 saw guide	دليل المَششّار	5 huntsman's hat	قبعة الصيّاد
17 accelerator lock	قفل المُسارع	6 field glasses, binoculars	منظار ميداني، ناظور
18 snedding machine (trimming machine, <i>Am.</i> knotting machine, limbing machine)	ماكينة تشذيب	7 gun dog	كلب صيّد ليجلب الفئص
19 feed rolls	درافيل الإيقام	8 track (trail, hoofprints)	أثر (أثار حافر)
20 flexible blade	نصل مرّن	9-12 hunting in the rut- ting season and the pairing season	الصيّد أثناء موسم الدَوارة المُزووية والمزاوج
21 hydraulic arm	ذراع هيدرولي	9 hunting screen (screen, <i>Am.</i> blind)	سَبّار الصيّد
22 trimming blade	نصل التشذيب	10 shooting stick (shoot- ing seat, seat stick)	مقعد الصيّد
23 debarking (barking, bark stripping) of boles	نزع لحاء جذوع الشجر	11 blackcock, displaying	طائر الشجور
24 feed roller	درافيل الإيقام	12 rutting stag	أيل في الدَوارة المُزووية
25 cylinder trimmer	أداة تشذيب أسطوانية	13 hind, grazing	أيلة تأكل الكَلأ
26 rotary cutter	قاطع دَوّار	14-17 hunting from a raised hide (raised stand)	الصيّد من مخبأ مرتفع
27 short-haul skidder	عربة نقل المسافات القصيرة	14 raised hide (raised stand, high seat)	مخبأ مرتفع (منصة مرتفعة، مقعد مرتفع)
28 loading crane	وشّ التحميل	15 herd within range	فقيع في مرمى القنص
29 log grips	مأسيكات زناد الشجر	16 game path (<i>Am.</i> run- way)	ممر الطرائد
30 post	عمود ساند	17 roebuck, hit in the shoulder and killed by a finishing shot	حيوان الرُوّ، أصيب بطلقة في الكتف وأجهز عليه بطلقة أخرى
31 Ackermann steering system	نظام توجيه أكريمان	18 phaeton	مركبة الفيتون
32 log dump	مخزون خشب	19-27 types of trapping	أنواع الفخاخ
33 number (identification number)	رقم الزناد	19 trapping of small predators	الإيقاع بالحيوانات المفترسة الصغيرة في الفخ
34 skidder	عربة إنزال قارية	20 box trap (trap for small predators)	فخ صندوقي
35 front blade (front plate)	النصل الأمامي	21 bait	طعم
36 crush-proof safety bon- net (<i>Am.</i> safety hood)	كبيوت أمان ضد الكسر	22 marten, a small predator	حيوان الدلق أو السُمور
37 Ackermann steering system	نظام توجيه أكريمان	23 ferreting (hunting rabbits out of their warrens)	صيّد الأرانب بالاستعانة بأبن مفرّض
38 cable winch	وشّ كيبلي	24 ferret	ابن مفرّض، المُسّ
39 cable drum	أسطوانة الكبل	25 ferreter	صائد الأرانب بالاستعانة بأبن مفرّض
40 rear blade (rear plate)	النصل الخلفي	26 burrow (rabbit burrow, rabbit hole)	جُحر، وجار
41 boles with butt ends held off the ground	جذوع أشجار وأطرافها الخلفية مرفوعة عن الأرض	27 net (rabbit net) over the burrow opening	شبكة فوق فتحة الجُحر
42 haulage of timber by road	نقل الخشب بالعربات بُرّيّاً	28 feeding place for game (winter feeding place)	مكان إطعام خاص بالصيّد
43 tractor (tractor unit)	جرّار	29 poacher	صيّاد يصيد في خبيّعة خاصة بدون إذن صاحبها
44 loading crane	وشّ التحميل	30 carbine, a short rifle	القربينة بنديقية قصيرة
45 hydraulic jack	مرفّاع هيدرولي	31 boar hunt	صيّد الخنازير البرّيّة
46 cable winch	وشّ كيبلي	32 wild sow (sow, wild boar)	خنزير بري
47 post	عمود ساند		
48 bolster plate	لوحة استناد		
49 rear bed (rear bunk)	مرفد خلفي		

القنصأنواع الصيّد
اقتفاء الأثر في الأرض

33 boarhound (hound, hunting dog; <i>collectively</i> : pack, pack of hounds)	كلب صيّد الخنازير البرّيّة	6 pistol grip	قبضة مسدس
34-39 beating (driving, hare hunting)	إثارة الطرائد من مخابئها (صيّد الأرانب البرّيّة)	7 small of the butt	قبضة المسدس من الدبّيك/الإخض
34 aiming position	وضع التصوير	8 safety catch	سقاطة الأمان
35 hare, furred game (ground game)	أرنب بري، صيّد فوالتي، صيّد أرضي	9 lock	الترباس
36 retrieving	استرجاع القربسة للصيّد	10 trigger guard	واقى الزناد
37 beater	صيّد بجول أرجاء الغاية مثيراً للفرائس من مخابئها الحيوانات المصطادة	11 second set trigger (firing trigger)	زناد الإطلاق
38 bag (kill)	عربة لحمل الحيوانات المصطادة	12 hair trigger (set trigger)	زناد شعري
39 cart for carrying game	عربة لصيد الطيور المصطادة	13 foregrip	قبضة أمامية
40 waterfowling (wild- fowling, duck shooting, <i>Am.</i> duck hunting)	صيّد الطيور المائية (صيّد البط)	14 butt plate	كثلة الدبّيك/الإخض
41 flight of wild ducks, winged game	سرب من البط البرّي، صيّد من الطيور	15 cartridge chamber	خبرة القلعة
42-46 falconry (hawking)	الصيّد بالصفور	16 receiver	المستقبل
42 falconer	الصفّار	17 magazine	المخزن
43 reward, a piece of meat	مكافأة، قطعة لحم	18 magazine spring	نابض المخزن
44 falcon's hood	قلنسوة الصقر	19 ammunition (cartridge) خبرة	ذخيرة (خرطوش)
45 jess	قيد الباري	20 chamber	خبرة
46 falcon, a hawk, a male hawk (tiercel) swooping (stooping) on a heron	صقر/باز ينقض على طائر مالك الحزين	21 firing pin (striker)	إبرة ضرب النار (الضارب)
47-52 shooting from a butt	القنص من داخل أرومة	22 bolt handle (bolt lever)	ذراع الترياس
47 tree to which birds are lured	شجرة تُغوى بها الطيور كفئص	23 triple-barrelled (triple- barreled) rifle, a self- cocking gun	بنديقية ذات ثلاث مواشير/ سيطانات، سلاح ذاتي التعمير
48 eagle owl, a decoy bird (decoy)	بومة صحّابة، شرك على شكل طائر	24 reversing catch; <i>in var- ious guns</i> : safety catch	حاجس سقاطة الأمان، في أسلحة متنوعة سقاطة الأمان
49 perch	مجنّم الطيور	25 sliding safety catch	سقاطة أمان منزلقة
50 decoyed bird, a crow	طائر يقع في الشرك، غراب	26 rifle barrel (rifled barrel)	ماسورة البندقية (سبّانة محزّزة)
51 butt for shooting crows or eagle owls	أرومة لقنص الغربان والبوم الصخّاب	27 smooth-bore barrel	ماسورة مُسّاءة الجوّف
52 gun slit	فتحة إبراز البندقية	28 chasing	تقوش زينية
87 Hunting Weapons, Hunting Equipment	أسلحة القنص، مُعدّات القنص	29 telescopic sight (rifle- scope, telescope sight)	منظار تليسكوبي (ناظور البندقية)
1-40 sporting guns (sport- ing rifles, hunting rifles)	بنادق الصيّد/القنص	30 graticule adjuster screws	براغي ضبط العينيّة
1 single-loader (single- loading rifle)	بنديقية صيّد سعة طلقة واحدة	31-32 graticule (sight graticule)	سدادة العينيّة
2 repeating rifle, a small- arm (fire-arm), a repeater (magazine rifle, magazine repeater)	بنديقية متعددة الطلقات، سلاح ناري صغير (بنديقية بمخزن ذخيرة)	31 various graticule systems	أنظمة عينيّة متنوعة
3, 4, 6, 13 stock	الكثّة	32 cross wires (<i>Am.</i> cross hairs)	السلكان المتقاطعان
3 butt	الدبّيك، الإخض	33 over-and-under shotgun	بنديقية صيّد ذات ماسورتين
4 cheek [on the left side]	وَجْنة [على الجانب الأيسر]	34 rifled gun barrel	ماسورة/سبّانة بنديقية محزّزة
5 sling ring	حلقة الصالة	35 barrel casing	غلاف الماسورة/السبّانة
		36 rifling	حزوز
		37 rifling calibre (<i>Am.</i> caliber)	عيار الحزّرة
		38 bore axis	محوّز جوّف الماسورة/ السبّانة
		39 land	خُدّ
		40 calibre (bore diameter, <i>Am.</i> caliber)	العيار (قطر الجوّف)
		41-48 hunting equipment	مُعدّات الصيّد
		41 double-edged hunting knife	سكين صيّد ذو نصلين
		42 [single-edged] hunting knife	سكين صيّد [ذو نصل واحد]
		43-47 calls for luring game (for calling game)	أبوات مُحَاكاة أصوات الطرائد لاجتذابها

3 semi-oval barrel for transporting fish	برميل شبه بيضاوي لنقل السمك
4 vat	ذَن، وعاء ضخ
5 trellis in the overflow	تعريشة في فيضان الماء
6 trout pond; sim.: carp pond, a fry pond, fattening pond, or cleansing pond	حوض تربية سمك الأطروط (مطه حوض تربية سمك الشبوط، حوض زريعة السمك)
7 water inlet (water supply pipe)	أنبوب دخول/ امداد الماء
8 water outlet (outlet pipe)	أنبوب خروج الماء
9 monk	صندوق غزبلية (موتك)
10 screen	غزبان
11-19 hatchery	مكان تربية الأسماك
11 stripping the spawning pike (seed pike)	استخلاص البيض من سمكة الكراكي
12 fish spawn (spawn, roe, fish eggs)	بيض السمكة
13 female fish (spawner, seed fish)	سمكة
14 trout breeding (trout rearing)	تربية سمك الأطروط
15 Californian incubator	خضانة بيض السمك
16 trout fry	زريعة سمك الأطروط
17 hatching jar for pike	وعاء فقس بيض السمك
18 long incubation tank	خزان خضن بيض السمك لفترة طويلة
19 Brandstetter egg-counting board	عداد بيض السمك طراز "براند ستتر"
20-94 angling	صيد السمك بالصنارة
20-31 bottom fishing (coarse fishing)	الصيد من قاع البحر
20 line shooting	قذف الصنارة
21 coils	ملفات خيط الصنارة
22 cloth (rag) or paper	خزقة قماش أو ورقة
23 rod rest	مسند الصنارة
24 bait tin	علبة طعم الصيد
25 fish basket (creel)	سلة جمع السمك المشطاد
26 fishing for carp from a boat	صيد سمك الأطروط من قارب
27 rowing boat (fishing boat)	قارب تجديف (قارب صيد)
28 keep net	شبكة صيد حاجزة
29 drop net	شبكة صيد اسقاطية
30 pole (punt pole, quant pole)	شخورة (عصا دفع القارب)
31 casting net	شبكة صيد
32 two-handed side cast with fixed-spool reel	القاء صنارة ذات بكرة ثابتة
33 initial position	جايبيا بكتنا اليدين
34 point of release	الوضع الأولي
35 path of the rod tip	نقطة الانطلاق
36 trajectory of the baited weight	مسار طرف الصنارة
37-94 fishing tackle	مسار الثقل المحمل بالطعم
37 fishing pliers	أدوات الصيد
38 filleting knife	زردية صيد
39 fish knife	سكين تقطيع الشرائح
	سكين سمك

89 Fish Farming (Fish Culture, Pisciculture) and Angling	تربية الأسماك والصيد بالصنارة
1-19 fish farming (fish culture, pisciculture)	المزارع السمكية (تربية الأسماك)
1 cage in running water	قفص في ماء جار
2 hand net (landing net)	شبكة صيد حديدية

game	(game)
43 roe call	أداة مُحَاكاة صوت الرو
44 hare call	أداة مُحَاكاة صوت الأرانب
45 quail call	أداة مُحَاكاة صوت السمانى
46 stag call	أداة مُحَاكاة صوت الأيل
47 partridge call	أداة مُحَاكاة صوت الحنجل
48 bow trap (bow gin), a jaw trap	فخ قوسى، فخ فكي
49 small-shot cartridge	خرطوش طلقات صغيرة
50 cardboard case	غلاف من الورق المقوى
51 small-shot charge	حشو من الطلقات الصغيرة
52 felt wad	حشو من اللباد
53 smokeless powder (different kind: black powder)	بارود عديم الدخان (نوع مختلف بارود اسود)
54 cartridge	رصاص، طلقة
55 full-jacketed cartridge	رصاصه بغلاف كامل
56 soft-lead core	جوف من الرصاص اللين
57 powder charge	حشو من البارود
58 detonator cap	كبسولة المفجر
59 percussion cap	كبسولة الفتح
60 hunting horn	بوق الصيد
61-64 rifle cleaning kit	مطاقم أدوات تنظيف
61 cleaning rod	البنذقية
	قفص التنظيف (المُطْرَاط/ الحزبي)
62 cleaning brush	فرشاة التنظيف
63 cleaning tow	سقالة كتابية للتنظيف
64 pull-through (Am. pull-thru)	سبيج التسليك
65 sights	المُسَدَّة، المَوْجِه، الناشر
66 notch (sighting notch)	فتحة التسديد/ التوجيه
67 back sight leaf	ورقة المُسَدَّة الخلفية
68 sight scale division	تقسيم مقياس المُسَدَّة
69 back sight slide	مزالق المُسَدَّة الخلفية
70 notch [to hold the spring]	نقرة [لتثبيت النابض]
71 front sight (foresight)	المُسَدَّة الأمامية (الشَّعِيرَة)
72 bead	قَمَحَة (سن شكلة البداية)
73 ballistics	سير المقذوف في الهواء
74 azimuth	السَمْت
75 angle of departure	زاوية الخروج من الماسورة
76 angle of elevation	زاوية الارتفاع
77 apex (zenith)	أعلى نقطة على منحنى المسار
78 angle of descent	زاوية السقوط
79 ballistic curve	منحنى سير المقذوف
88 Game	القنص/ الطرائد
1-27 red deer	الأيل الأحمر
1 hind (red deer), a young hind or a dam;	الأنثى، أيلة صغيرة، اسم الجمع الأيل عديم القرون، (الصغير) صغير الأيل
collectively: antlerless deer, (y.) calf	
2 tongue	لسان
3 neck	رقبة
4 rutting stag	أيل في الدورة النُزويَّة
5-11 antlers	القرون
5 burr (rose)	مئب القرون بالجبهة (وردة)
	قرن الحاجب
6 brow antler (brow tine, brow point, brow snag)	
7 bezel antler (bay antler, bay, bez tine)	قرن بارز
8 royal antler (royal, tray)	قرن ملكي
9 surroyal antlers (surroyals)	قرن إضافي
10 point (tine)	طرف القرن المدبب
11 beam (main trunk)	فروع قرون رئيسي
12 head	رأس
13 mouth	خُطَم (فم)
14 lammer (tear bag)	كبس الدموع
15 eye	عين
16 ear	أذن
17 shoulder	كف
18 loin	خاصرة
19 scut (tail)	ذيل قصير (ذيل)
20 lump	ردف، كفل
21 leg (haunch)	فخذ (التيه)
22 hind leg	رجل خلفية
23 dew claw	المُزَمَّة
24 hoof	حافر
25 foreleg	رجل أمامية
26 flank	جنب، خاصرة
27 collar (rutting mane)	الشعر المطوق لرقبة الأيل
28-39 roe (roe deer)	الرو
28 roebuck (buck)	ذكر الرو (غزال الرو)
29-31 antlers (horns)	القرون
29 burr (rose)	مئب القرون بالجبهة (وردة)
30 beam with pearls	فروع قرون رئيسي وبه بوادر القرون
31 point (tine)	طرف القرن المدبب
32 ear	أذن
33 eye	عين
34 doe (female roe), a female fawn or a barren doe	أنثى الرو، أنثى غزال صغيرة أو أنثى عاقر
35 loin	الخاصرة
36 rump	ردف، كفل
37 leg (haunch)	ورك (التيه)
38 shoulder	كف
39 fawn, (m.) young buck, (f.) young doe	ولد الرو، ذكر ظبي، أنثى ظبية
40-41 fallow deer	الأيل الأسمر
40 fallow buck, a buck with palmate (palmated) antlers, (f.) doe	ذكر الأيل الأسمر ذو قرون راجية، الأنثى ظبية
41 palm	راحة القرن
42 red fox, (m.) dog, (f.) vixen, (y.) cub	الثعلب الأحمر (ذكر ثعلب، أنثى ثعلبة، الصغير شبل)
43 eyes	عينان
44 ear	أذن
45 muzzle (mouth)	خُطَم (فم)
46 pads (paws)	مخالب
47 brush (tail)	ذيل
48 badger, (f.) sow	الغزير (الأنثى أنثى الغزير)
49 tail	ذيل
50 paws	مخالب
51 wild boar, (m.) boar, (f.) wild sow (sow), (y.) young boar	خنزير بري (أنثى خنزيرة، أنثى الروث، الصغير خنوص)
52 bristles	هلب
53 snout	فُطَيْسَة الخنزير
54 tusk	ناب
55 shield	درع الخنزير
56 hide	جلد الخنزير
57 dew claw	المُزَمَّة
58 tail	ذيل
59 hare, (m.) buck, (f.) doe	أرنب بري
60 eye	عين
61 ear	أذن
62 scut (tail)	ذيل قصير
63 hind leg	رجل خلفية
64 foreleg	رجل أمامية
65 rabbit	أرنب
66 blackcock	طائر الشَّحْرور
67 tail	ذيل
68 falcate (falcated) feathers	ريش معقوف
69 hazel grouse (hazel hen)	طائر مَهَيُوج البندق
70 partridge	طائر الحنجل
71 horseshoe (horseshoe marking)	خُدَّوة حصان (علامة)
72 wood grouse (capercaille)	مَهَيُوج الغابة
73 beard	لحية
74 axillary marking	علامة إبطية
75 tail (fan)	ذيل (مروحة)
76 wing (pinion)	جناح (جنيح سفلي)
77 common pheasant, a pheasant, (m.) cock pheasant (pheasant cock), (f.) hen pheasant (pheasant hen)	طائر التَّدرَج (ذكر التَّدرَج، أنثى التَّدرَج)
78 plumicorm (feathered ear, ear tuft, ear, horn)	أذن مَرِيَّنة (قرن)
79 wing	جناح
80 tail	ذيل
81 leg	رجل
82 spur	شوكية
83 snipe	طائر الشُّبَّ
84 bill (beak)	مِيقَار

40 disgorger (hook disgorger)	أداة تطليص الطعم من حُطَّاف الصنَّارة
41 bait needle	إبرة التقاط الطعم الكمام
42 gag	الطاقيات/الفنجات
43-48 floats	طاوية فيلينية منزلة
43 sliding cork float	طاوية بلاستيكية
44 plastic float	طاوية من اللحاء المُخَفَّف
45 quill float	طاوية من مادة البوليلستيرين
46 polystyrene float	طاوية بضيوية الشكل
47 oval bubble float	طاوية منزلة مقلدة بقطعة رصاص
48 lead-weighted sliding float	قصبات الصنَّارة
49-58 rods	قصبه صنَّارة مصنوعة من الزجاج الصلب
49 solid glass rod	مقبض من الفلين
50 cork handle (cork butt)	حلقة نابضية من الصلب
51 spring-steel ring	كفَّعة علوية/طرفية
52 top ring (end ring)	قصبه تليسكوبية (ذات أجزاء متداخلة)
53 telescopic rod	جزء القصبه
54 rod section	مقبض مبطن
55 bound handle (bound butt)	حلقة
56 ring	قصبه من الألياف الكربونية
57 carbon-fibre rod; sim.: hollow glass rod	مثلها قصبه جوفاء من الزجاج
58 all-round ring (butt ring for long cast), a steel bridge ring	حلقة حرة الحركة لتسهيل إلقاء الصنَّارة لمسافات بعيدة
59-64 reels	بكرات الخيط
59 multiplying reel (multiplier reel)	بكرة مضاعفة
60 line guide	دليل الخيط
61 fixed-spool reel (stationary-drum reel)	بكرة خيط ثابتة
62 bale arm	ذراع ملف الخيط
63 fishing line	خيط الصنَّارة
64 controlling the cast with the index finger	التحكم في مدى رمي الصنَّارة بواسطة السبابة
65-76 baits	أنواع طعم الصيد
65 fly	زريعة سمك حورية صناعية
66 artificial nymph	دودة صناعية
67 artificial earthworm	جندب صناعية
68 artificial grasshopper	"وايلر" وحيد المفصل
69 single-jointed plug (single-jointed wobbler)	"وايلر" ذو مفصلين
70 double-jointed plug (double-jointed wobbler)	"وايلر" مستدير
71 round wobbler	برقعة خشنة صناعية
72 wiggler	طعم ملغتي
73 spoon bait (spoon)	طعم دوامي/دوَّار
74 spinner	طعم دوامي/دوَّار ذو حُطَّاف مَخْفِي
75 spinner with concealed hook	طعم دوامي/دوَّار طويل
76 long spinner	وصلة متراوحة
77 swivel	رمية (موجه السمك)
78 cast (leader)	

79-87 hooks	أنواع حُطَّاف الصنَّارة
79 fish hook	حُطَّاف عادي
80 point of the hook with barb	طرف الحُطَّاف المدبب وبه شوكة
81 bend of the hook	منحنى الحُطَّاف
82 spade (eye)	عروة
83 open double hook	حُطَّاف مزدوج مفتوح
84 limerick	الليمرريك
85 closed treble hook (triangle)	حُطَّاف ثلاثي مَقْفول
86 carp hook	حُطَّاف سمك الشُّبوط
87 eel hook	حُطَّاف الأتقليص
88-92 leads (lead weights)	أثقال الرصاص
88 oval lead (oval sinker)	ثقل رصاصي بيضوي
89 lead shot	كرتية رصاص
90 pear-shaped lead	ثقل رصاصي أحاسي
91 plummet	ثقل الفادن
92 sea lead	ثقل بحري
93 fish ladder (fish pass, fish way)	مرزقي الأسماك
94 stake net	شبكة كيسية
90 Sea Fishing	الصيد في البحار
1-23 deep-sea fishing	الصيد في أعالي البحار
1-10 drift net fishing	الصيد بطريقة شبكة صيد السمك المنجرف مع التيار
1 herring lugger (fishing lugger, lugger)	لغز صيد الرنكة (سفينة ذات أشرعة مميَّنة الشكل)
2-10 herring drift net	شبكة صيد الرنكة المنجرفة مع التيار
2 buoy	لغز صيد الرنكة (سفينة ذات أشرعة مميَّنة الشكل)
3 buoy rope	شبكة صيد الرنكة المنجرفة مع التيار
4 float line	طاوية، شمنذورة
5 seizing	حبل الطاوية
6 wooden float	حبل طاف
7 headline	رباط
8 net	عوامة خشبية
9 footrope	الحبل العلوي
10 sinkers (weights)	شبكة
11-23 trawl fishing (trawling)	الحبل السفلي
11 factory ship, a trawler	غزاطس
12 warp (trawl warp)	الصيد بواسطة الترولة (شبكة تسحب عبر قاع البحر)
13 otter boards	سفينة الترولة
14 net sonar cable	حبل الترولة السمك
15 wire warp	أنواع خشبية
16 wing	كيبيل سونار الشبكة
17 net sonar device	حبل سلكي سميك
18 footrope	جناح، جانب
19 spherical floats	جهاز سونار الشبكة
20 belly	الحبل السفلي
21 1,800 kg iron weight	عوامات كروية
22 cod end (cod)	جزء الترولة المنتفخ
23 cod line for closing the cod end	ثقل حديدي زنة 1800 كجم
24-29 inshore fishing	نهاية بقلي
	حبل إقبال النهائية البقلية
	الصيد قرب الشاطئ

24 fishing boat	قارب صيد
25 ring net cast in a circle	رمية شبكة مستديرة في دائرة
26 cable for closing the ring net	كيبيل إقبال الشبكة المستديرة
27 closing gear	عدة إقبال
28-29 long-line fishing (long-lining)	الصيد باستخدام حبل طويل
28 long line	أداة صيد معلقة
29 suspended fishing tackle	
91 Mills	المطواحين
1-34 windmill	المطاحونة الهوائية
1 windmill vane (windmill sail, windmill arm)	ريشة المطاحونة الهوائية (شراع المطاحونة، ذراع المطاحونة)
2 stock (midding, back, radius)	دعامة (متوسطة، خلفية، نصف قطرية)
3 frame	إطار
4 shutter	غطاء متحرك
5 wind shaft (sail axle)	عمود الريح (محور الشراع)
6 sail top	قمة الشراع
7 brake wheel	دولاب المكبح
8 brake	مكبح، فرملة
9 wooden cog	لسان خشبي
10 pivot bearing (step bearing)	مخمل محور الارتكاز
11 wallower	قلاية
12 mill spindle	محور دوران المطاحونة
13 hopper	قادوس
14 shoe (trough, spout)	حذاء (مجرى، مزرباب)
15 miller	عامل المطاحونة
16 millstone	حجر الرحي
17 furrow (flute)	شق، تلم
18 master furrow	تلم رئيسي
19 eye	عروة
20 hurst (millstone casing)	بيت حجر الرحي
21 set of stones (millstones)	طاقم من حجرين (حجر الرحي)
22 runner (upper millstone)	حجر الرحي (الحجر الدوّار العلوي)
23 bed stone (lower stone, bedder)	حجر الأساس (حجر الرحي السفلي)
24 wooden shovel	جاروف خشبي
25 bevel gear (bevel gearing)	ترس مخروطي
26 bolter (sifter)	مخمل آلي
27 wooden tub (wooden tun)	حوض خشبي
28 flour	طحين، دقيق
29 smock windmill (Dutch windmill)	مطاحونة هوائية سميكة (مطاحونة هولندية)
30 rotating (revolving) windmill cap	رأس المطاحونة الدوّارة
31 post windmill (German windmill)	مطاحونة عمودية (مطاحونة ألمانية)
32 tailpole (pole)	عمود الذيل
33 base	قاعدة
34 post	دعامة عمودية
35-44 watermill	مطاحونة مائية
35 overshot mill wheel (high-breast mill wheel), a mill wheel (waterwheel)	ساقية تدار بالدفع العلوي
36 bucket (cavity)	دلو
37 middleshot mill wheel (breast mill wheel)	ساقية تدار بالدفع الأوسط
38 curved vane	ريشة منحنية
39 undershot mill wheel	ساقية تدار بالدفع السفلي
40 flat vane	ريشة مسطحة
41 headrace (discharge flume)	مجرى الماء الرئيسي
42 mill weir	سد المطاحونة
43 overfall (water overfall)	منحط لماء الفائض
44 millstream (millrace, Am. raceway)	تيار مائي دافق يدير المطاحونة
92 Malting and Brewing I	تخمير الملت وتصنيع الجعة (1)
1-41 preparation of malt (malting)	إعداد الملت (تخمير الملت)
1 malting tower (maltings)	برج تخمير الملت (التخمير)
2 barley hopper	قادوس الشعير
3 washing floor with compressed-air washing unit	طابق غسل مزود بوحدّة غسل تعمل بالهواء المضغوط
4 outflow condenser	مكثف الدفق
5 water-collecting tank	خزان تجمع الماء
6 condenser for the steep liquor	مكثف مطول النقع
7 coolant collecting plant	معمل تجميع المبرد
8 steeping floor (steeping tank, dressing floor)	طابق النقع (خزان النقع)
9 cold water tank	خزان الماء البارد
10 hot water tank	خزان الماء الساخن
11 pump room	خجرة المضخة
12 pneumatic plant	معمل يعمل بالهواء المضغوط
13 hydraulic plant	معمل هيدرولي
14 ventilation shaft (air inlet and outlet)	عمود التهوية (مدخل ومهرب الهواء)
15 exhaust fan	مروحة طاردة
16-18 kilning floors	طابق التجفيف التثوري
16 drying floor	طابق تجفيف
17 burner ventilator	جهاز تهوية المؤدق
18 curing floor	طابق المعالجة بالتخمير
19 outlet duct from the kiln	منفذ خروج من الثور/القمين
20 finished malt collecting hopper	قادوس الملت تام التجهيز
21 transformer station	محطة المحوّل
22 cooling compressors	ضواغط التبريد
23 green malt (germinated barley)	ملت أخضر (شعير منبت)
24 turner (plough)	آلية قلاية (محرّات)
25 central control room	خجرة التحكم المركزي مع

14-37 animal: ox; meat:	الحيوان: ثور؛ اللحم
beef	بقري
14 round with rump and shank	الفخذ ولحم وعظم الساق
15-16 flank	خاصرة
15 thick flank	لحم سميك من الخاصرة
16 thin flank	لحم رقيق من الخاصرة
17 sirloin	شريحة من أعلى الخاصرة
18 prime rib (fore ribs, prime fore rib)	لحم أعلى السلسلة
19 middle rib and chuck	الضلع الوسطى وجزء من لحم الكتف
20 neck	الرقبة
21 flat rib	الضلع الأمامي
22 leg of mutton piece (bladebone) with shin	الرُذء وعظمة اللُوح في الضأن
23 brisket (brisket of beef)	لحم الصدر
24 fillet (fillet of beef)	فيليه
25 hind brisket	لحم الصدر الخلفي
26 middle brisket	لحم الضلع
27 breastbone	عظم الصدر
28 shin	عظم الرُذء
29 leg of mutton piece	فخذ الضأن
30 bladebone [meat side]	عظمة اللُوح [جانِب اللحم]
31 part of top rib	جزء من الضلع العلوي
32 bladebone [bone side]	عظمة اللُوح [جانِب العظم]
33 shank	لحم عظم الساق
34 silverside	جزء من لحم الساق
35 rump	قطعة من لحم الفخذ
36 thick flank	لحم الخاصرة السميكة
37 top side	الجزء العلوي
38-54 animal: pig; meat:	الحيوان خنزير؛ اللحم
pork	لحم خنزير
38 leg with knuckle and trotter	عظم الفخذ واللحم المحيط به والكارع
39 ventral part of the belly	اللحم البطني
40 back fat	شحم الظهر
41 belly	البطن
42 bladebone with knuckle and trotter	عظم الرُذء واللحم المحيط به والكارع
43 head (pig's head)	رأس (رأس الخنزير)
44 fillet (fillet of pork)	فيليه لحم الخنزير
45 leaf fat (pork flare)	دهن التجوف البطني
46 loin (pork loin)	خاصرة الخنزير
47 spare rib	الإرب الضلعي
48 trotter	الكارع
49 knuckle	عظم الرُذء
50 butt	الجزء اللحمي السميكة
51 fore end (ham)	الفخذ الأمامية
52 round end for boiling	قطعة من اللحم السميكة للسلق
53 fat end	الشحم
54 gammon steak	لحم إعداد ستيك الخنزير المقعد
96 Butcher's Shop (الملحمة)	محل الجازارة/القصاب (الملحمة)
1-30 butcher's shop	محل الجازارة، الملحمة
1-4 meat	اللحوم
1 ham on the bone	فخذ خنزير بالعظم

with flow diagram	رسم تخطيطي لسير العمليات
26 screw conveyor	ناقلة لولبية
27 washing floor	طابق الغسيل
28 steeping floor	طابق النقع
29 drying kiln	ثُور التجفيف
30 curing kiln	ثُور المعالجة بالتحخير
31 barley silo	صومعة الشعير
32 weighing apparatus	جهاز الوزن
33 barley elevator	رافعة الشعير
34 three-way chute (three-way tippler)	مجرى مائل ذو ثلاثة فروع
35 malt elevator	رافعة الملت
36 cleaning machine	ماكينة التنظيف
37 malt silo	صومعة الملت
38 corn removal by suction	إزالة الحبوب عن طريق الشفط
39 sacker	جهاز تعبئة الأكياس
40 dust extractor	وَحدة إستخراج الأتربة
41 barley reception	استقبال الشعير
42-53 mashing process in the mashhouse	عملية تحويل الملت إلى جريش بداخل وحدة الجريش
42 premasher (converter) for mixing grist and water	جهاز لخلط الحبوب المعذة للطحن مع الماء
43 mash tub (mash tun) for mashing the malt	حوض مرَس الملت
44 mash copper (mash tun, Am. mash kettle) for boiling the mash	مرجل لغلي الملت المجروش
45 dome of the tun	قبة المرَجَل
46 propeller (paddle)	رفاص
47 sliding door	باب انزلاقي
48 water (liquor) supply pipe	ماسورة إمداد الماء (محلول النقع)
49 brewer (master brewer, masher)	صانع البيرة أو الجعة
50 lauter tun for settling the draff (grains) and filtering off the wort	حوض ترسيب الحبوب وترشيح نقيع الشعير
51 lauter battery for testing the wort for quality	بطارية اختبار جودة نقيع الشعير
52 hop boiler (wort boiler) for boiling the wort	مرجل حشيشة الدينار لغلي نقيع الشعير
53 ladle-type thermometer (scoop thermometer)	ترموتر على شكل مِرْفَقة
93 Brewing II (تَصْنِيع الجعة (2) مصنع الجعة)	
1-31 brewery (brew-house)	تبريد نقيع الشعير وإزالة الهشيم الساخن
1-5 wort cooling and break removal (trub removal)	تبريد نقيع الشعير وإزالة الهشيم
1 control desk (control panel)	لوحة التحكم
2 whirlpool separator for removing the hot break (hot trub)	فَران دَوامي لإزالة الهشيم الساخن
3 measuring vessel for	وعاء قياس التراب النقاقي
the kieselguhr	مُرَشِّح التراب النقاقي
4 kieselguhr filter	مُرَشِّح تراب النقاقي
5 wort cooler	مَبْرَد نقيع الشعير
6 pure culture plant for yeast (yeast propagation plant)	مَعْمَل إستنبات نقي للخميرة
7 fermenting cellar	قُبُو التخخير
8 fermentation vessel (fermenter)	وعاء التخخير
9 fermentation thermometer (mash thermometer)	ترموتر التخخير (ترموتر الجريش)
10 mash	جَريش الملت المنقوع
11 refrigeration system	نظام التبريد
12 lager cellar	قُبُو الجعة الخفيفة
13 manhole to the storage tank	فتحة الدخول إلى صهريج التخزين
14 broaching tap	صُنْبُور الصهريج
15 beer filter	مُرَشِّح الجعة
16 barrel store	مَخْزَن البراميل
17 beer barrel, an aluminum (Am. aluminum) barrel	برميل جعة، برميل ألومنيوم
18 bottle-washing plant	مَعْمَل غَسَل الرُجَاجَات
19 bottle-washing machine (bottle washer)	ماكينة غَسَل الرُجَاجَات
20 control panel	لوحة التحكم
21 cleaned bottles	رُجَاجَات تم تنظيفها
22 bottling	تعبئة الرُجَاجَات/الفتينات
23 forklift truck (fork truck, forklift)	عربة بمرْفاع شوكي
24 stack of beer crates	مجموعة من صناديق الجعة
25 beer can	علبة جعة
26 beer bottle, a Eurobottle with bottled beer, kinds of beer: light beer (lager, light ale, pale ale or bitter), dark beer (brown ale, mild), Pilsener beer, Munich beer, malt beer, strong beer (bock beer), porter, ale, stout, Salvator beer, wheat beer, small beer	رُجَاجَة/قنبية جعة، أنواع الجعة جعة خفيفة (مُعَقَّة، المرز الخفيف، المرز المر)، الجعة الداكنة (المرز البني، متوسط)، جعة بلزير، جعة ميونخ، جعة الشعير، الجعة القوية (جعة الربيع)، جعة البُرْت، المرز، جعة السلفادور، جعة الحنطة
27 crown cork (crown cork closure)	سدادة فلينية تاجية
28 disposable pack (carry-home pack)	عبوة غير مرْتَجعة
29 non-returnable bottle (single-trip bottle)	رُجَاجَة غير مرْتَجعة
30 beer glass	كأس الجعة
31 head	رَعْوَة (رأس) الجعة
94 Slaughterhouse (Abattoir)	المَجْرَز/المسْلَح
1 slaughterman (Am. slaughterer, killer)	الجَزَّار، القصاب
2 animal for slaughter, an	حيوان للذبح، ذبيحة
ox	مهدس صَدَبي
3 captive-bolt pistol (pneumatic gun), a stunning device	مهدس صَدَبي
4 bolt	مَسْمَار
5 cartridges	خَرطيش
6 release lever (trigger)	ذِرَاع الإعتاق (رُذء)
7 electric stunner	صاعق كهربى
8 electrode	الكتود
9 lead	سلك كهربى
10 hand guard (insulation)	وقاء اليد
11 pig (Am. hog) for slaughter	خنزير ذبيح
12 knife case	علبة السكاكين
13 flaying knife	سكين السُخ
14 sticking knife (sticker)	مِثْية الطعن
15 butcher's knife (butcher knife)	سكين الجَزَّار
16 steel	مِسْ السكاكين
17 splitter	ساطور فلق
18 cleaver (butcher's cleaver, meat ax (Am. meat ax))	ساطور الجَزَّار
19 bone saw (butcher's saw)	مِشْيار العظم
20 meat saw for sawing meat into cuts	مِشْيار تقطيع اللحم إلى أُرْصال
21-24 cold store (cold room)	عَرْوَة التبريد، المَبْرَد
21 gambrel (gambrel stick)	عصا حديدية لتعليق الذبائح
22 quarter of beef	رَبْع الذبيحة
23 side of pork	جانِب الخنزير المذبوح
24 meat inspector's stamp	خاتم مفتح اللحوم
95 Meat Joints	أَوْصال اللحم
left: meat side;	يسارا. جانِب اللحم
right: bone side	يمينًا. جانِب العظم
1-13 animal: calf; meat: veal	الحيوان عجل؛ اللحم لحم عجل صغير (بتلو)
1 leg with hind knuckle	الرُذء واللحم المحيط به
2 flank	خاصرة
3 loin and rib	بَيْت الكلاوي والضلع
4 breast (breast of veal)	الصدر (صدر العجل)
5 shoulder with fore knuckle	كتف بالرُذء واللحم المحيط به
6 neck with scrag (scrag end)	الرقبة واللحم المحيط بها
7 best end of loin (of loin of veal)	قِطعة لحم من الخاصرة
8 fore knuckle	الرُذء واللحم المحيط به
9 shoulder	الكتف
10 hind knuckle	الرُذء واللحم المحيط به
11 roasting round (oyster round)	شريحة سمكة للشوي
12 cutlet for frying or braising	كُستلبية للشوي أو التسبيك بالبقدر
13 undercut (fillet)	قطعة لحم من داخل الخاصرة

2 fitch of bacon	قطعة مملّحة ومقدّدة من خاصرة الخنزير
3 smoked meat	لحم مدخّن
4 piece of loin (piece of sirloin)	قطعة من لحم الخاصرة
5 lard	شحم الخنزير
6-11 sausages	المقانيق
6 price label	بطاقة السعر
7 mortadella	مرتديلا
8 scalded sausage; <i>kinds</i> : Vienna sausage	مقانيق مسلوقة أنواعها مقانيق فيينا ، مقانيق فرانكفورتر
(Wiener), Frankfurter sausage (Frankfurter)	
9 collared pork (<i>Am.</i> headcheese)	لحم خنزير ملفوف ومنقوع في الخل
10 ring of [Lyoner] sausage	حلقة من مقانيق [الليونر]
11 pork sausages; <i>also</i> : beef sausages	مقانيق لحم الخنزير ، أيضاً مقانيق لحم بقري
12 cold shelves	رفوف اللحوم المبرّدة
13 meat salad (diced meat salad)	سلطة لحوم
14 cold meats (<i>Am.</i> cold cuts)	لحم بارد
15 pâté	فطيرة لحم (باتيه)
16 mince (mincemeat, minced meat)	لحم مفروم
17 knuckle of pork	عظم رُسغ الخنزير واللحم المحيط به
18 basket for special offers	سلة العروض الخاصة
19 price list for special offers	قائمة أسعار العروض الخاصة
20 special offer	عروض خاص
21 freezer	فريزر
22 pre-packed joints	قطع لحم مخلّقة
23 deep-frozen ready-to-eat meal	وجبة مجمّدة جاهزة للأكل
24 chicken	دجاجة
25 canned food	طعام معلّب
26 can	علبة
27 canned vegetables	خضروات معلّبة
28 canned fish	أسماك معلّبة
29 salad cream	كريمة سلطة
30 soft drinks	مشروبات خفيفة
31-59 manufacturing of sausages	تصنيع المقانيق
31-37 butcher's knives	سكاكين الجزار
31 slicer	المشرّحة سكين تقطيع الشرائح
32 knife blade	ضلع السكين
33 saw teeth	أسنان مبشّارية
34 knife handle	مقبض السكين
35 carver (carving knife)	سكين كبيرة لتقطيع اللحم إلى شرائح
36 boning knife	سكين إزالة اللحم عن العظم (سكين التّشقيفة)
37 butcher's knife (butcher knife)	سكين الجزار

38 butcher (master butcher)	الجزار ، القصاب
39 butcher's apron	مربطة الجزار
40 meat-mixing trough	وعاء خلط اللحوم
41 sausage meat	لحم المقانيق
42 scraper	مكّحة
43 skimmer	مكشّطة
44 sausage fork	شوكة المقانيق
45 scalding colander	مصفاة الملح
46 waste bin (<i>Am.</i> trash bin)	صفيحة الفضلات
47 cooker, for cooking with steam or hot air	جهاز الطبخ ، الطباخ (للطهي بالبخار أو الهواء الساخن)
48 smoke house	بيت الدخان
49 sausage filler (sausage stuffer)	جهاز حشو المقانيق
50 feed pipe (supply pipe)	أنبوب الحشو
51 containers for vegetables	أوعية للخضروات
52 mincing machine for sausage meat	ماكينة فرم لحوم المقانيق
53 mincing machine (meat mincer, mincer, <i>Am.</i> meat grinder)	ماكينة فرم ، مفرمة اللحوم
54 plates (steel plates)	صفائح معدنية
55 meathook (butcher's hook)	خُطاف تعليق اللحوم
56 bone saw	مبشار العظم
57 chopping board	سطح تقطيع اللحوم
58 butcher, cutting meat	جزّار يقطع اللحوم
59 piece of meat	قطعة/وصلة لحم

97 Bakery

1-54 baker's shop

1 shop assistant (<i>Am.</i> salesgirl, saleslady)	محل الخباز
2 bread (loaf of bread, loaf)	الخبز/البانّة
3 crumb	خبز (رغيف خبز)
4 crust (bread crust)	لباب الرغيف
5 crust (<i>Am.</i> heel)	سطح الرغيف الخارجي
6-12 kinds of bread (breads)	المحمص
6 round loaf, a wheat and rye bread	كعب الرغيف
7 small round loaf	أنواع الخبز
8 long loaf (bloomer), a wheat and rye bread	رغيف مستدير ، رغيف من دقيق القمح أو الشيلم
9 white loaf	رغيف صغير مستدير
10 pan loaf, a wholemeal rye bread	رغيف طويل ، رغيف من دقيق القمح أو الشيلم
11 yeast bread (<i>Am.</i> stollen)	رغيف أبيض
12 French loaf (baguette, French stick)	رغيف من دقيق الشيلم الأسمر
13-16 rolls	خبز يدخل في صنعه
13 brown roll	خبز فرنسي
14 white roll	أرغفة الخبز الإفريقي

رغيف إفريقي أسمر
رغيف إفريقي أبيض

15 finger roll	رغيف إفريقي صغير
16 rye-bread roll	رغيف من دقيق الشيلم
17-47 cakes (confectionery)	الكعك (الحلوى)
17 cream roll	رول الكريمة
18 vol-au-vent, a puff pastry (<i>Am.</i> puff paste)	نوع من الفطائر المنتفخة
19 Swiss roll (<i>Am.</i> jelly roll)	سويس رول
20 tartlet	تورته صغيرة
21 cream slice	شريحة من كعكة الكريمة
22-24 flans (<i>Am.</i> pies) and gateaux (torten)	الفطائر (الكعك) والجاتوه
22 fruit flan (<i>kinds</i> : strawberry flan, cherry flan, gooseberry flan, peach flan, rhubarb flan)	كعكة الفاكهة أنواعها الفراولة ، الكرز ، الكشمش ، الخوخ ، الرواند
23 cheesecake	كعكة الجبن
24 cream cake (<i>Am.</i> cream pie) (<i>kinds</i> : buttercream cake, Black Forest gateau)	كعكة الكريمة (أنواعها كعكة بالزبد ، جاتوه بلاك فورست)
25 cake plate	قاعدة الكعكة
26 meringue	كعكة المرنغ
27 cream puff	فطائر الكريمة المنتفخة
28 whipped cream	كريمة مخفوقة
29 doughnut (<i>Am.</i> bis-mark)	دونت (كعكة مخلّعة مقلية بالدهن)
30 Danish pastry	كعكة الدانيش
31 saltstick (Saltzstange) (<i>also</i> : caraway roll, caraway stick)	أصابع مالحة (ساليزون) (أيضاً أصابع الكون)
32 croissant (crescent roll, <i>Am.</i> crescent)	كرواسون
33 ring cake (gugelhupf)	كعكة جرسية الشكل
34 slab cake with chocolate icing	كعكة مكعبة الشكل مغطاة بالشيكولاته
35 streusel cakes	كعك الإسترويسيل
36 marshmallow	كعك المارش مالو
37 coconut macaroon	مكرونة جوز الهند
38 pastry whirl	فطائر حلوة
39 iced bun	فطائر بالزبيب مكسّوة بطبقة من السكر والزبد
40 sweet bread	خبز حلو
41 plaited bun (plait)	صغيرة بالزبيب مكسّوة بطبقة من السكر والزبد
42 Frankfurter garland cake	كعكة إكليل فرانكفورتر
43 slices (<i>kinds</i> : streusel slices, sugared slices, plum slices)	شرائح حلوى (الأنواع الشرائح مغطاة بطبقة الأسترويسيل ، شرائح مغطاة بالسكر ، شرائح مغطاة بالإجاص)
44 pretzel	عقدية بسكويت مملّح صلّب
45 wafer (<i>Am.</i> waffle)	الو ففر (بسكويت رقائقي هش)
46 tree cake (baumkuchen)	كعكة الشجرة
47 flan case	علبة الكعكة

48-50 wrapped bread	خبز مغلف
48 wholemeal bread (<i>also</i> : wheatgerm bread)	خبز أسمر
49 pumpernickel (wholemeal rye bread)	خبز الشيلم الأسمر
50 crispbread	خبز رقائقي هش
51 gingerbread (<i>Am.</i> lebkuchen)	كعكة الزنجبيل
52 flour (<i>kinds</i> : wheat flour, rye flour)	دقيق/حنطة أنواعه قمح ، شيلم
53 yeast (baker's yeast)	خميرة (خميرة خبز)
54 rusks (French toast)	بُقسماط ، خبز مُحمّص (توست فرنسي)
55-74 bakery (bakehouse)	المخبز
55 kneading machine (dough mixer)	خلّاط العجين
56-57 bread unit	وحدة صناعة الخبز
56 divider	وحدة تقسيم
57 moulder (<i>Am.</i> molder)	وحدة التشكيل
58 premixer	خلّاط أولي
59 dough mixer	خلّاط العجين
60 workbench	سطح العمل
61 roll unit	وحدة إعداد الأرغفة
62 workbench	سطح العمل ، طاولة العمل
63 divider and rounder (rounding machine)	ماكينة التقسيم والتقريب
64 crescent-forming machine	ماكينة تشكيل الكرواسون
65 freezers	تلاجت تجميد
66 oven [for baking with fat]	فرن [للخبز بالدهن]
67-70 confectionery unit	وحدة صناعة الحلوى
67 cooling table	طاولة التبريد
68 sink	حوض غسل
69 boiler	بروجل ، غلاية
70 whipping unit [with beater]	وحدة خفق البيض أو الكريمة (مزودة بمضرب)
71 reel oven (oven)	فرن
72 fermentation room	خبرة التخضير
73 fermentation trolley	تrolley التخضير
74 flour silo	صومعة الطحين/الدقيق
98 Grocer's Shop (<i>Am.</i> Grocery Store)	دكان البقال
1-87 grocer's shop (grocer's, delicatessen shop, <i>Am.</i> grocery store, delicatessen store), a retail shop (<i>Am.</i> retail store)	دكان البقال (محل البيع القطاعي)
1 window display	واجهة العرض
2 poster (advertisement)	نوسر (إعلان)
3 cold shelves	أرفف المنتجات المبرّدة
4 sausages	مقانيق ، مقانيق جبن
5 cheese	جبن
6 roasting chicken (broiler)	دجاجة معدة للشواء
7 poulard, a fattened hen	دجاجة مسمّنة

8-11 baking ingredients	مكونات الخبزي
8 raisins; <i>sim.</i> : sultanas	زبيب
9 currants	كشمش
10 candied lemon peel	قشر ليمون مسكّر
11 candied orange peel	قشر برتقال مسكّر
12 computing scale, a rapid scale	ميزان حاسب
13 shop assistant (<i>Am.</i> salesclerk)	بائع/بائعة
14 goods shelves (shelves)	أرفف البضائع
15-20 canned food	أطعمة معلّبة
15 canned milk	لبّين مملّب
16 canned fruit (cans of fruit)	فاكهة معلّبة
17 canned vegetables	خضروات معلّبة
18 fruit juice	عصير فواكه
19 sardines in oil, a can of fish	سردين بالزيت، علبة
20 canned meat (cans of meat)	لحوم معلّبة
21 margarine	مرغرين
22 butter	زبد
23 coconut oil, a vegetable oil	زيت جوز الهند، زيت نباتي
24 oil; <i>kinds</i> : salad oil, olive oil, sunflower oil, wheatgerm oil, groundnut oil	زيت، أنواعه زيت السلطة، زيت زيتون، زيت عباد/دوار الشمس، زيت آحبة القمح، زيت الجوز، خلّ
25 vinegar	مكعبات مرقّ
26 stock cube	مكعبات مرقّ
27 bouillon cube	زيت الخردال
28 mustard	خبثار صغير مملّب
29 pickled gherkin	توابل الصنّاء
30 soup seasoning	بائع، بائعة
31 shop assistant (<i>Am.</i> salesgirl, saleslady)	الباسا (المعجنات)
32-34 pastas	اسباجيتي
32 spaghetti	مكرونه
33 macaroni	عصائبيه (نودلز)
34 noodles	منتجات الحبوب
35-39 cereal products	خبّ الشعير
35 pearl barley	السيمولينا
36 semolina	شوفان
37 rolled oats (porridge oats, oats)	أرز
38 rice	ساعو (نوع من نبات الخليل)
39 sago	ملح
40 salt	البقال (تاجر، بائع تجرّته)
41 grocer (<i>Am.</i> groceryman), a shopkeeper (tradesman, retailer, <i>Am.</i> storekeeper)	كبر مملّب
42 capers	زبون
43 customer	ايصال استلام نقدية
44 receipt (sales check)	حقيقه التسوق
45 shopping bag	مواد اللف/التغليف
46-49 wrapping material	ورق تغليف
46 wrapping paper	

47 adhesive tape	شريط لاصق
48 paper bag	كيس ورقي
49 cone-shaped paper bag	كيس ورقي مخروطي الشكل (قرطاس)
50 blancmange powder	مسحوق مهلبية
51 whole-fruit jam (preserve)	مربى فواكه محفوظة
52 jam	مربى
53-55 sugar	السكر
53 cube sugar	سكر مكعبات
54 icing sugar (<i>Am.</i> confectioner's sugar)	سكر ناعم
55 refined sugar in crystals	سكر مكرّر في شكل بلورات
56-59 spirits	المشروبات الكحولية
56 whiskey (whiskey)	ويسكي
57 rum	روم
58 liqueur	شراب مسكّر مطعّر
59 brandy (cognac)	براندي (كونياك)
60-64 wine in bottles (bottled wine)	نبيذ معلّب في زجاجات
60 white wine	نبيذ أبيض
61 Chianti	كيبانتشي (نوع من الخمر الإيطالي)
62 vermouth	فيرموت (نوع من الخمر الألبان)
63 sparkling wine	نبيذ الأوفر
64 red wine	نبيذ أحمر
65-68 tea, coffee, etc.	التشاي، القهوة، الين، الخ.
65 coffee (pure coffee)	قهوة (بن خالص)
66 cocoa	كاكاو
67 coffee	قهوة، بن
68 tea bag	كيس شاي
69 electric coffee grinder	مطحنة بن كهربائية
70 coffee roaster	مخصّصة الين
71 roasting drum	برميل التحميص
72 sample scoop	مفرقة أخذ العينات
73 price list	قائمة الأسعار
74 freezer	ثلاجة تجميد (براد)
75-86 confectionery (<i>Am.</i> candies)	الحلويات
75 sweet (<i>Am.</i> candy)	حلوى
76 drops	حيات البونبون
77 toffees	طوفي
78 bar of chocolate	لوح شوكولاته
79 chocolate box	صندوق شوكولاته
80 chocolate, a sweet	شوكولاته، نوع من الحلوى
81 nougat	نوغه
82 marzipan	مرزيبانية
83 chocolate liqueur	شوكولاته بها شراب مسكّر
84 Turkish delight	حلّقوم (لبّين)
85 croquant	حلوى الكروكوات
86 truffle	تروفل
87 soda water	ماء صودا

99 Supermarket

1-96 supermarket, a self-service food store	سوبر ماركت (متجر الخدمة الذاتية)
1 shopping trolley	سوبر ماركت (متجر الخدمة الذاتية)
2 customer	تrolley/عربة التسوق
3 shopping bag	زبون
4 entrance to the sales area	حقيقه التسوق
5 barrier	مدخل منطقة المبيعات
6 sign (notice) banning dogs	حاجز
7 dogs tied by their leads	لافتة تحظر دخول الكلاب
8 basket	كلاب مسلسلة
9 bread and cake counter (bread counter, cake counter)	سلّة
10 display counter for bread and cakes	قسم الخبز والكعك
11 kinds of bread (breads)	كاونتر عرض الخبز
12 rolls	والكعك
13 croissants (crescent rolls, <i>Am.</i> crescents)	أنواع من الخبز
14 round loaf	أرغفة خبز إفرنجي
15 gateau	كرواسون
16 pretzel [made with yeast dough]	رغيف مستدير
17 shop assistant (<i>Am.</i> salesgirl, saleslady)	جائوه
18 customer	عقدية [مصنوعة من عجينة مضمّرة]
19 sign listing goods	بائع، بائعة
20 fruit flan	زبون
21 slab cake	لافتة بأسماء المعروضات
22 ring cake	كعك الفاكهة
23 cosmetics gondola, a gondola (sales shelves)	كعكة مكعبه الشكل
24 canopy	كعكة جزيبية الشكل
25 hosiery shelf	أرفف مستحضرات التجميل
26 stockings (nylons)	مظلة، تده
27-35 toiletries (cosmetics)	رقم الجوارب
27 jar of cream (cream; <i>kinds</i> : moisturising cream, day cream, night-care cream, hand cream)	جوارب نسائية
28 packet of cotton wool	مستحضرات التجميل
29 talcum powder	علبة كريم (كريم- الأنواع كريم ترطيب البشرة، كريم نهار، كريم ليل، كريم للبين)
30 packet of cotton wool balls	لثافة قطن ماص
31 toothpaste	بودرة التلك
32 nail varnish (nail polish)	عبوة كريات من الفلن الماص
33 shaving cream	معجون أسنان
34 bath salts	ملاء اطافر
35 sanitary articles	كريم حلاقة
36-37 pet foods	أملاح الحمام
36 complete dog food	أدوات صحية
37 packet of dog biscuits	أطعمة الحيوانات الأليفة

38 bag of cat litter	عبوة مهّاد من الفض للقط
39 cheese counter	قسم الألبان
40 whole cheese	جبين كامل الدسم
41 Swiss cheese (Emmental cheese) with holes	جبين سويسري ذو ثقوب
42 Edam cheese, a round cheese	جبين ايدام، قرص جبين مستدير
43 gondola for dairy products	قسم منتجات الألبان
44 long-life milk; <i>also</i> : pasteurized milk, homogenized milk	لبّين يبقى طازجا فترة طويلة؛ أيضا لبّين مبستر ولبن مملّب
45 plastic milk bag	كيس لبّين بلاستيكي
46 cream	قنّده
47 butter	زبد
48 margarine	مرغرين
49 box of cheeses	صندوق أجبان
50 box of eggs	صندوق بيض
51 fresh meat counter (meat counter)	قسم اللحوم الطازجة
52 ham on the bone	فخذ خنزير بالعظم
53 meat (meat products)	لحوم (منتجات اللحوم)
54 sausages	نقانق، مقانق
55 ring of pork sausage	حلقة من نقانق الخنزير
56 ring of blood sausage	حلقة من المقانق المدّامة
57 freezer	ثلاجة تجميد (براد)
58-61 frozen food	أطعمة مجمّدة
58 poulard	دجاجه مسنّنة
59 turkey leg (drumstick)	ورك ديك رومي
60 boiling fowl	لحم دجاج للسلق
61 frozen vegetables	خضروات مجمّدة
62 gondola for baking ingredients and cereal products	قسم مكونات الخبزي ومنتجات الحبوب
63 wheat flour	دقيق القمح
64 sugar loaf	رغيف سكر
65 packet of noodles	عبوة عصائبيه (نودلز)
66 salad oil	زيت السلطة
67 packet of spice	عبوة توابل
68-73 tea, coffee, etc.	التشاي والقهوة، الخ.
68 coffee	قهوة (بن)
69 packet of tea	عبوة شاي
70 instant coffee	قهوة سريعة التحضير
71 drinks gondola	قسم المشروبات
72 soft drinks	مشروبات خفيفة
73 can of beer	علبة جبّه
74 bottle of fruit juice	زجاجة عصير فواكه
75 can of fruit juice	علبة عصير فواكه
76 bottle of wine	زجاجة نبيذ
77 bottle of Chianti	زجاجة كيبانتشي
78 bottle of champagne	زجاجة شمبانيا
79 emergency exit	مخرج الطوارئ
80 fruit and vegetable counter	قسم الفاكهة والخضروات
81 vegetable basket	سلّة الخضروات
82 tomatoes	طماطم
83 cucumbers	خبثار
84 cauliflower	قنبيط

85 pineapple	أناناس
86 apples	تفاح
87 pears	كمثرى
88 scales for weighing fruit	ميزان الفواكه
89 grapes (bunches of grapes)	عنب (عناقيد عنب)
90 bananas	موز
91 can	علبة معدنية
92 checkout	دفع الحساب والمغادرة
93 cash register	مُسجِلة النقد
94 cashier	أمين الصندوق
95 chain	سلسلة
96 assistant departmental manager	مُساعد مدير المتجر
100 Shoemaker (Bootmaker)	الإسكافي
1-68 shoemaker's workshop (bootmaker's workshop)	ورشة صانع الأحذية، ورشة الإسكافي
1 finished (repaired) shoes	أحذية تم إصلاحها
2 auto-soleing machine	مَآكِينَة تركيب النعال ألياً
3 finishing machine	مَآكِينَة التشطيب
4 heel trimmer	آلة تشذيب الكعب
5 sole trimmer	آلة تشذيب النعل
6 scouring wheel	عجلة إزالة التلحم/تنظيف
7 naum keag	آلية تلميع وحقل سطح النعل والكعب قبل التشطيب
8 drive unit (drive wheel)	عجلة الإدارة
9 iron	ميسم
10 buffing wheel	عجلة الصقل
11 polishing brush	فرشاة التلميع
12 horsehair brush	فرشاة من شعر الخيل
13 extractor grid	شبكة آلة الخلع
14 automatic sole press	مكسّ النعال الآلي
15 press attachment	ملحق المكيس
16 pad	لبادة، حشية
17 press bar	قضيب المكيس
18 stretching machine	مآكينة المتمد/الإطالة
19 width adjustment	مقبض ضبط العرض
20 length adjustment	مقبض ضبط الطول
21 stitching machine	مآكينة الخياطة
22 power regulator (power control)	مُنظّم الطاقة الكهربائية
23 foot	الطرف السفلي
24 handwheel	عجلة يدوية
25 arm	ذراع
26 sole stitcher (sole-stitching machine)	مآكينة خياطة النعال
27 foot bar lever	ذراع قضيب الطرف السفلي
28 feed adjustment (feed setting)	تعديل الإلقام
29 bobbin (cotton bobbin)	بكرة، بوبينة
30 thread guide (yarn guide)	دليل الخيط
31 sole leather	جلد النعل
32 [wooden] last	قالب أحذية [خشبي]

33 workbench	طاولة الشغل
34 last	قالب أحذية
35 dye spray	رشاش الصبغة
36 shelves for materials	أرفف المواد
37 shoemaker's hammer	مطرقة الإسكافي
38 shoemaker's pliers (welt pinners)	مكاشاة الإسكافي
39 sole-leather shears	مقصّ جلد النعال
40 small pinners (nippers)	قراضة صغيرة
41 large pinners (nippers)	قراضة كبيرة
42 upper-leather shears	مقصّ الجلد العلوي
43 scissors	مقصّ (عمادي)
44 revolving punch (rotary punch)	خَرَامَة دَوَّارَة، مَحْرَز دَوَّار
45 punch	خَرَامَة، مَحْرَز
46 punch with handle	خَرَامَة ذات مقبض
47 nail puller	مكاشاة المسامير
48 welt cutter	سكين النحاش
49 shoemaker's rasp	مبْرَد أحذية
50 cobbler's knife (shoemaker's knife)	سكين أحذية
51 skiving knife (skife knife, paring knife)	سكين تشريح الجلد إلى رقائق (سكين تقشير)
52 toecap remover	أداة إزالة غطاء أصابع القدم بالحاء
53 eyelet, hook, and press-stud setter	أداة عمل العراوي وتركيب المشابك وكيس المسامير
54 stand (with iron lasts)	حامل ذو قوالب حديدية
55 width-setting tree	قالب ضبط عرض النحاء
56 nail grip	أداة إمسك وتثبيت المسامير
57 boot	حذاء ذو رقبة
58 toecap	قُرْطُوم الحذاء، بُطْلِيطة
59 counter	قطعة جلد قاسية داخل مؤخر الحذاء المحيط بالعقب
60 vamp	وَجْه الحذاء
61 quarter	جانب من أعلى الحذاء
62 hook	مشبك
63 eyelet	عُرْوة
64 lace (shoelace, boot-lace)	رباط الحذاء
65 tongue	لسان
66 sole	نعل
67 heel	كعب
68 shank (waist)	بطن النعل
101 Shoes (Footwear)	الأحذية
1 winter boot	حذاء شتوي (ذو رقبة)
2 PVC sole (plastic sole)	نعل من مادة بي في سي (نعل من البلاستيك)
3 high-pile lining	بطانة طويلة التيلة
4 nylon	نيلون
5 men's boot	بوت رجالي (حذاء ذو رقبة)
6 inside zip (Am. zipper)	سوستة داخلية
7 men's high leg boot	حذاء رجالي طويل الساق
8 platform sole (platform)	نعل مرتفع

9 Western boot (cowboy boot)	بوت غربي (حذاء رعاة البقر)
10 pony-skin boot	حذاء من جلد الخيل
11 cemented sole	نعل مثبت بالحاء بمادة لاصقة
12 ladies' boot	بوت نسائي
13 men's high leg boot	بوت رجالي طويل الساق
14 seamless PVC water-proof wellington boot	بوت ولانتون مقاوم للماء مصنوع من مادة بي في سي
15 natural-colour (Am. natural-color) sole	نعل طبيعي اللون
16 toecap	قُرْطُوم الحذاء
17 tricot lining (knitwear lining)	بطانة من التريكو
18 hiking boot	حذاء (بوت) التزّه
19 grip sole	نعل كربي
20 padded collar	ياقة مبطنّة
21 tie fastening (lace fastening)	رباط الحذاء
22 open-toe mule	ثيابش بدون كعب مفتوح من الأمام
23 terry upper	فُرْعة ثيابش مصنوعة من شبيج وبري
24 polo outsole	نعل خارجي من الوبر
25 mule	ثيابش بدون كعب، متّوقفي
26 corduroy upper	فُرْعة مصنوعة من القطيفة المُضَلَّعة
27 evening sandal (sandal court shoe)	صنّال مسائي، حذاء خفيف
28 high heel (stiletto heel)	كعب عال
29 court shoe (Am. pump)	حذاء خفيف بدون رباط
30 moccasin	حذاء الموكاسين
31 shoe, a tie shoe (laced shoe, Oxford shoe, Am. Oxford)	حذاء برباط
32 tongue	لسان
33 high-heeled shoe (shoe with raised heel)	حذاء ذو كعب مرتفع
34 casual	حذاء خفيف (كاجوال)
35 trainer (training shoe)	حذاء رياضي للتدريب
36 tennis shoe	حذاء رياضي خفيف للمشي
37 counter (stiffening)	قطعة جلد قاسية لتقوية الحذاء عند العقب
38 natural-colour (Am. natural-color) rubber sole	نعل مطاطي طبيعي اللون
39 heavy-duty boot (Am. stogy, stogie)	بوت شديد التحمل
40 toecap	قُرْطُوم الحذاء
41 slipper	خفّ، ثيابش
42 woollen (Am. woolen) slip sock	حذاء خفيف من الصوف
43 knit stitch (knit)	غرزة حيك بالصنارة
44 cloog	قبّاب، حذاء خشبي
45 wooden sole	نعل خشبي
46 soft-leather upper	فُرْعة من الجلد الطري
47 sabot	حذاء "سابوه"
48 toe post sandal	صنّال ذو فاصل للإصبع الكبير

49 ladies' sandal	صنّال نسائي
50 surgical footbed (sock)	حشية لإراحة القدم، فرشة
51 sandal	صنّال
52 shoe buckle (buckle)	إبزيم الحذاء
53 sling-back court shoe (Am. sling pump)	حذاء خفيف مققول من الأمام وبشريط من الخلف
54 fabric court shoe	حذاء خفيف من القماش
55 wedge heel	كعب إسفيني
56 baby's first walking boot	حذاء أطفال برفية
102 Needlework	أشغال الإبرة
1 backstitch seam	خياطة بغرزة خلفية
2 chain stitch	غرزة السلسلة
3 ornamental stitch	غرزة زخرفية
4 stem stitch	غرزة ساقية
5 cross stitch	غرزة تصالبيّة (رجل غراب)
6 buttonhole stitch (button stitch)	غرزة عراوي
7 fishbone stitch	غرزة عظم السمكة
8 overcast stitch	غرزة راكية (غرزة اوفر لوك)
9 herringbone stitch (Russian stitch, Russian cross stitch)	غرزة عظم سمكة الرنكة (غرزة الصليب الروسي)
10 satin stitch (flat stitch)	غرزة ستانية
11 eyelet embroidery (broderie anglaise)	ركامة
12 stiletto	نقاباة الظفرين
13 French knot (French dot, knotted stitch, twisted knot stitch)	غرزة فرنسية (غرزة عقديّة)
14 hem stitch work	تطريز الكفّة
15 tulle work (tulle lace)	زخرفة التول
16 tulle background (net background)	خلفية التول
17 darning stitch	غرزة رفي
18 pillow lace (bobbin lace, bone lace); kinds: Valenciennes, Brussels lace	دانتيل هوبنيتون
19 tatting	تخريم ذو عقد
20 tatting shuttle (shuttle)	مكوك خياطة تخريم ذو عقد
21 knotted work (macramé)	مكزمية
22 filet (netting)	غرزة الشبكة
23 netting loop	انشوطة غرزة الشبكة
24 netting thread	خيط الشبكة
25 mesh pin (mesh gauge)	قضيب الغزل
26 netting needle	إبرة غزل الشبكة
27 open work	تطريز مغرغ (أجور)
28 gimping (hairpin work)	التطريز بدبوس الشعر
29 gimping needle (hair-pin)	إبرة التطريز (دبوس الشعر)
30 needlepoint lace (point lace, needlepoint); kinds: reticella lace, Alengon lace; sim. with metal thread: fili-	دانتيل، تطريز إيري؛ مثلها تقطيع/تخريم تزييني

gree work	كَنَار تَطْرِيح
31 braid embroidery (braid work)	كَنَار تَطْرِيح
103 Dressmaker	الخِيَّاط
1-27 dressmaker's work-room	مَشْغَل الخِيَّاط
1 dressmaker	خِيَّاط
2 tape measure (measuring tape), a metre (<i>Am. meter</i>) tape measure	مَازوْرَة (شَريط قِيَاس)
3 cutting shears	مَقْصَر القِمَاش
4 cutting table	طَاولَة (بَنَك) قَصَر القِمَاش
5 model dress	ثَوْب يَسْتخدِم كَمودِيل
6 dressmaker's model (dressmaker's dummy, dress form)	مَانيكَا ن الخِيَّاط (دَامِيَة الخِيَّاط)
7 model coat	مِغْطَف مَعروُض عَلى المَانيكَا ن
8 sewing machine	مَآكِيَة الخِيَّاطَة
9 drive motor	موتور تَشغِيل المَآكِيَة
10 drive belt	سَبْر الإِدَارَة
11 treadle	دَوَاسَة المَآكِيَة
12 sewing machine cotton (sewing machine thread) [on bobbin]	خِيط مَآكِيَة الخِيَّاطَة [عَلى بوبِينَة]
13 cutting template	مِسطَرَة الخِيَّاط
14 seam binding	شَريط تَنْطِيف ، كَفَّة الدُرُز
15 button box	عَلْبَة الأَزْرَار
16 remnant	قَصَاصَة قِمَاش
17 movable clothes rack	شَمَاعَة مَلايِس مَتحرَكَة
18 hand-iron press	مِكبَس يَدَوِي لَكَي بِالخَاصِر
19 presser (ironer)	المِكوْجِي ، الكَوَّجِي
20 steam iron	مِكوْرَة بِالخَاصِر
21 water feed pipe	خَروْم الإِمْدَاد بِالمَاء
22 water container	حَآوِيَة المَاء
23 adjustable-tilt ironing surface	سَطْح كَي قَابِل للإِمَالَة
24 lift device for the iron	جِهَاز رَفِيع المِكوْرَة
25 steam extractor	جِهَاز نَفْث الخَاصِر
26 foot switch controlling steam extraction	مِفْتَاح يَشغَل بِالقَدَم لِلتَحكَم فِي نَفْث الخَاصِر
27 pressed non-woven woollen (<i>Am. woolen</i>) fabric	نَسِيج صَوْفِي مِكوْبِي لَمْ يَحَاك بَعْد
104 Tailor	التَّوْرِي
1-32 tailor's workroom	مَشْغَل التَّوْرِي
1 triple mirror	مِرآة ثَلاثِيَة الأَرْجَة
2 lengths of material	أَطوَال القِمَاش
3 suiting	قِمَاش البَدَل
4 fashion journal (fashion magazine)	مِجلَة أَرِيَاء
5 ashtray	مِغْضَة رَمَاد السِجَار
6 fashion catalogue	كِتابُوع أَرِيَاء
7 workbench	طَاولَة (بَنَك) الشغَل
8 wall shelves (wall shelf unit)	أَرْفَف حَآنِطِيَة
9 cotton reel	بِكَرَة خِيط

10 small reels of sewing silk	بِكرَات صَغِيرَة مَن خِيط حَرِيرِي لِللحِياكَة
11 hand shears	مِقْصَن يَدَوِي
12 combined electric and treadle sewing machine	مَآكِيَة خِيَّاطَة تَعْمَل بِموتور وَدَوَاسَة
13 treadle	دَوَاسَة مَآكِيَة الخِيَّاطَة
14 dress guard	قِفاء الثَوْب مَن عِجَلَة المَآكِيَة
15 band wheel	عِجَلَة بِسِير
16 bobbin thread	خِيط مَلقُوف عَلى بِكَرَة المَآكِيَة
17 sewing machine table	طَاولَة (سَطْح) مَآكِيَة الخِيَّاطَة
18 sewing machine drawer	دَرَج مَآكِيَة الخِيَّاطَة
19 seam binding	شَريط تَنْطِيف ، كَفَّة الدُرُز
20 pincushion	وِسادَة الدِبابِيس
21 marking out	تَعلِيم القِمَاش بِالطَبَاشِير
22 tailor	تَّوْرِي
23 shaping pad	وِسادَة التَشكِيل
24 tailor's chalk (French chalk)	طَبَاشِير التَّوْرِي
25 workpiece	قِطْعَة الشغَل
26 steam press (steam pressing unit)	مِكبَس الكَي بِالخَاصِر
27 swivel arm	ذِرَاع دَوَار
28 pressing cushion (pressing pad)	وِسادَة الكَي
29 iron	مِكوْرَة
30 hand-ironing pad	وِسادَة الكَي اليَدَوِي (بَدون طَاولَة)
31 clothes brush	فُرْشاة مَلايِس
32 pressing cloth	قِمَاش الكَي (فودِرَة)
105 Ladies' Hairdresser	مُصَفِّف شَعْر السَيِّدَات
1-39 ladies' hairdressing salon and beauty salon (<i>Am. beauty parlor, beauty shop</i>)	صَالون تَصْفِيف شَعْر السَيِّدَات وَصَالون التَّجْمِيل
1-16 hairdresser's tools	أدوَات مُصَفِّف الشَعْر
1 bowl containing bleach	زَبْدِيَة تَحْتَوِي عَلى مَادَة التَّبْيِيض / التَّنْقِيح
2 detangling brush	فُرْشاة فَرْد الشَعْر المُتَشَابِك
3 bleach tube	أَنْبُوب مَادَة التَّبْيِيض
4 curler [used in dyeing]	أَدَاة لَف الشَعْر [تَسْتخدِم فِي صِبَاغَة الشَعْر]
5 curling tongs (curling iron)	مِكوْرَة تَجْعِد الشَعْر
6 comb (back comb, side comb)	مِشْط
7 haircutting scissors	مِقْصَن تَقْصِير الشَعْر
8 thinning scissors (<i>Am. thinning shears</i>)	مِقْصَن تَخْفِيف الشَعْر
9 thinning razor	شِغْرَة تَخْفِيف الشَعْر
10 hairbrush	فُرْشاة شَعْر
11 hair clip	دَبوس شَعْر
12 roller	رول لَف الشَعْر
13 curl brush	فُرْشاة تَجْعِد الشَعْر
14 curl clip	دَبوس تَجْعِد الشَعْر

15 dressing comb	مِشْط تَصْفِيف الشَعْر
16 stiff-bristle brush	فُرْشاة الشَعْر الخَشِن
17 adjustable hairdresser's chair	كُرْسِي مُصَفِّف الشَعْر القَابِل لِلتَعْدِيل
18 footrest	مِسْنَد القَدَمِين
19 dressing table	المِرْيَئَة ، مِضدَة التَّوَالِيَة
20 salon mirror (mirror)	مِرآة الصَالون
21 electric clippers	مَآكِيَة قَص الشَعْر الكَهْرِبَائِيَة
22 warm-air comb	مِشْط الهَوَاء السَاخِن
23 hand mirror (hand glass)	مِرآة يَدَوِيَة
24 hairspray (hair-fixing spray)	مِرْشَة رِذَآذ تَثْبِيَة تَسْرِيحَة الشَعْر
25 drier, a swivel-mounted drier	مِغْفَف الشَعْر (مُثَبَّت عَلى مِخوَر دَوَارِي)
26 swivel arm of the drier	ذِرَاع دَوَار يَحْمِل المِغْفَف
27 round base	قَاعَة مَسْتَدِيرَة
28 shampoo unit	وَحْدَة غَسِيل الشَعْر بِالشَامبو
29 shampoo basin	خَوْص غَسِيل الشَعْر بِالشَامبو
30 hand spray (shampoo spray)	رَشَاش يَدَوِي (لِلشَامبو)
31 service tray	صَبِينِيَة الأَدوَات
32 shampoo bottle	قَبْئِيَة الشَامبو
33 hair drier (hand hair drier, hand-held hair drier)	مِغْفَف الشَعْر (سَشوَار)
34 cape (gown)	مِرْبَلَة ، غِطَاء
35 hairdresser	مُصَفِّفَة الشَعْر
36 perfume bottle	قَبْئِيَة عَطْر
37 bottle of toilet water	قَبْئِيَة مَاء تَوَالِيَة
38 wig	شَعْر مُسْتَعَار (بَاروكَة)
39 wig block	حَامِل البَاروكَة
106 Men's Hairdresser (Barber)	صَالون حِلَاقَة لِلرِّجَال (الحِلاق)
1-42 men's salon (men's hairdressing salon, barber's shop, <i>Am. barbershop</i>)	صَالون حِلَاقَة لِلرِّجَال ، صَالون مُصَفِّف شَعْر الرِّجَال ، حِلَاق الرِّجَال
1 hairdresser (barber)	مُصَفِّف شَعْر (حِلَاق)
2 overalls (hairdresser's overalls)	مِرْيَلِيَة مُصَفِّف الشَعْر
3 hairstyle (haircut)	قِصَة الشَعْر
4 cape (gown)	مِرْبَلِيَة (عِبَاءَة)
5 paper towel	مِئْشَفَة وَرْقِيَة
6 salon mirror (mirror)	مِرآة الصَالون
7 hand mirror (hand glass)	مِرآة يَدَوِيَة
8 light	مِصَابِيح إِيضَاء
9 toilet water	مَاء تَوَالِيَة
10 hair tonic	مَقْو للشَعْر
11 shampoo unit	وَحْدَة غَسِيل الشَعْر بِالشَامبو
12 shampoo basin	خَوْص غَسِيل الشَعْر بِالشَامبو
13 hand spray (shampoo spray)	رَشَاش يَدَوِي (لِلشَامبو)
14 mixer tap (<i>Am. mixing</i>)	خِلَاط المَاء السَاخِن

faucet)	والبارد
15 sockets, e.g. for hair drier	قَابِس كَهْرِبِي (لِمِغْفَف الشَعْر مِثْلًا)
16 adjustable hairdresser's chair (barber's chair)	كُرْسِي مُصَفِّف الشَعْر القَابِل لِلتَعْدِيل
17 height-adjuster bar (height adjuster)	قِضْبِيَة تَعْدِيل ارْتِفَاع الكُرْسِي
18 armrest	مِسْنَد الذِرَاع
19 footrest	مِسْنَد القَدَمِين
20 shampoo	شَامبو
21 perfume spray	مِرْشَة العَطْر
22 hair drier (hand hair drier, hand-held hair drier)	مِغْفَف الشَعْر ، مِغْفَف شَعْر يَدَوِي (سَشوَار)
23 setting lotion in a spray can	غَسُول تَثْبِيَة الشَعْر فِي مِرْشَة
24 hand towels for drying hair	مِئْشَاف يَدَوِيَة لِلتَجْفِيف الشَعْر
25 towels for face compresses	مِئْشَاف تَسْتخدِم كَمَادَات لِلوَجْه
26 crimping iron	مِكوْرَة الشَعْر لِلتَجْعِيد أَو التَّمْوِيج
27 neck brush	فُرْشاة إِزَالَة الشَعْر المَحْلُوق مَن عَلى الرِقْبَة
28 dressing comb	مِشْط تَصْفِيف الشَعْر
29 warm-air comb	مِشْط الهَوَاء السَاخِن
30 warm-air brush	فُرْشاة الهَوَاء السَاخِن
31 curling tongs (hair curler, curling iron)	مِكوْرَة الشَعْر (لِلتَجْعِيد)
32 electric clippers	مَآكِيَة قَص الشَعْر الكَهْرِبَائِيَة
33 thinning scissors (<i>Am. thinning shears</i>)	مِقْصَن تَخْفِيف الشَعْر
34 haircutting scissors; <i>sim.</i> : styling scissors	مِقْصَن تَقْصِير الشَعْر
35 scissor-blade	نِصْل المِقْصَن
36 pivot	مِخوَر المِقْصَن
37 handle	مِقْبِض المِقْصَن
38 open razor (straight razor)	شِغْرَة حِلَاقَة مَفْتُوحَة
39 razor handle	مِقْبِض شِغْرَة الحِلَاقَة
40 edge (cutting edge, razor's edge, razor's cutting edge)	حَافَة حَادَة
41 thinning razor	شِغْرَة تَخْفِيف الشَعْر
42 diploma	دِبْلُوم ، شَهَادَة
107 Tobacco and Smoking Requisites	التَّبَاق وَلَوَازِم التَّدخِين
1 cigar box	صندوق السِجَار / السِكَار
2 cigar; <i>kinds</i> : Havana cigar (Havana), Brazilian cigar, Sumatra cigar	سِجَار ، أنواعه سِجَار هَافَانِي ، سِجَار بَرَاذِيلِي ، سِجَار سُمَطْرِي
3 cigarillo	سِجَارِيلُو (نوع مَن السِجَار)
4 cheroot	شِيرُوت (سِجَار مَفْتُوح الطَّرْفِين)

5 wrapper	لِغَافَة
6 binder	غِلاف
7 filler	حِشْوَة
8 cigar case	عَلِيَّة سِجَارَة
9 cigar cutter	أداة قطع طرف لِفَافَة السِجَارَة من الخِطَف
10 cigarette case	عَلِيَّة سِجَارَة
11 cigarette packet (Am. pack)	عَلِيَّة سِجَارَة (من الكرتون)
12 cigarette, a filter-tipped cigarette	سِجَارَة (بِغَم فِلتِر)
13 cigarette tip; kinds: cork tip, gold tip	قُمُ السِجَارَة، أنواعه فِليْنِي ومُدَّهَب
14 Russian cigarette	سِجَارَة رُوسِي
15 cigarette roller	مَآكِيَة لف السِجَارَة
16 cigarette holder	مِئْسِم سِجَارَة
17 packet of cigarette papers	لِغَافَة ورق سِجَارَة
18 pigtail (twist of tobacco)	تَبِيْع مَجْدُول في شِكل لِفَافَة
19 chewing tobacco; a piece: plug (quid, chew)	تَبِيْع لِّلْمَضْغِ، القِطْعَة مَضْغَة
20 snuff box, containing snuff	صندوق سَوط و به شُوق
21 matchbox	عَلِيَّة كِبْرِيْت/تِقَاب
22 match	عود تِقَاب
23 head (match head)	رأس العود
24 striking surface	سطح الإِشْعَال (شَطَاطَة)
25 packet of tobacco; kinds: fine cut, shag, navy plug	عَلِيَّة تَبِيْع، أنواعه قِطْع فَاخِر، مَفْرُوم، قُرْص مَضْغُوط
26 revenue stamp	طابع تَمْعَة
27 petrol cigarette lighter (petrol lighter)	قَدَاحَة/ولاعة سِجَارَة تَعْمَل بِالْبِئْرِيْن
28 flint	حِجْر القَدَاحَة/الولاعة
29 wick	قِئَل
30 gas cigarette lighter (gas lighter), a disposable lighter	قَدَاحَة/ولاعة سِجَارَة تَعْمَل بِالغَاز
31 flame regulator	مُنْظِم حِجْم اللهب
32 chibonk (chibonque)	الشِيق، غَلِيُون تَرْكِي
33 short pipe	غَلِيُون قَصِير
34 clay pipe (Dutch pipe)	غَلِيُون من الصلصَل (غَلِيُون هولَنْدِي)
35 long pipe	غَلِيُون طَوِيل
36 pipe bowl (bowl)	رأس/دَوَايَة الغَلِيُون
37 bowl lid	غِطَاء الدَوَايَة
38 pipe stem (stem)	سَاق/أَنْبُوب الغَلِيُون
39 briar pipe	غَلِيُون من جِذْر الكُنْج الشِجْرِي
40 mouthpiece	مِئْسِم الغَلِيُون
41 sand-blast finished or polished briar grain	غَلِيُون مَصْقُول مَصنُوع من جِذْر الكُنْج الشِجْرِي
42 hookah (narghile, narghileh), a water pipe	شِيشَة، نَرْجِيَة
43 tobacco pouch	كِبْس التَبَاق
44 smoker's companion	عَدَة المَدخِن
45 pipe scraper	أداة كِطْط لِتَظْفِيْف الغَلِيُون
46 pipe cleaner	أداة تَظْفِيْف لِتَسْيِيْك الغَلِيُون
47 tobacco presser	أداة كِبْس التَبَاق

48 pipe cleaner	أداة تَظْفِيْف الغَلِيُون
108 Goldsmith, Silversmith	الصَّائِغ (صائغ الذَّهَب والفضَّة)
1 wire and sheet roller	مَآكِيَة لف السِلك والصِفاغ
2 drawbench (drawing bench)	طَاوِلَة الرِّسَم
3 wire (gold or silver wire)	سِلك (سِلك ذَهَب أو فِضَّة)
4 archimedes drill (drill)	مِثْقَاب أرْخِمِيْدِي
5 crossbar	عَارِضَة المِثْقَاب
6 suspended (pendant) electric drilling machine	آلة ثَقْب كِهْرِبَائِيَة مَعْلَقَة
7 spherical cutter (cherry)	قَاطِع كُرْوِي
8 melting pot	بُوتَقَة لِانصِهَار
9 fireclay top	غِطَاء من الطِين الحَرَارِي
10 graphite crucible	بُوتَقَة من الغَرَافِيْت
11 cutting tongs	بِلْطَق البُوتَقَة
12 piercing saw (jig saw)	مِشْطَار أَرَاكْت
13 piercing saw blade	نِصْل مِشْطَار الأَرَاكْت
14 soldering gun	مَسْدُوس لِحَام
15 thread tapper	أداة حِز اللُوب
16 blast burner (blast lamp) for soldering	مَوْقِد لِحَام
17 goldsmith	صَائِغ
18 swage block	زُهْرَة طَرَق
19 punch	سَنِّيْك
20 workbench (bench)	طَاوِلَة الشِغْل
21 bench apron	غِطَاء وَاق لِطَاوِلَة
22 needle file	مِيزِد إِبْرِي
23 metal shears	مِقْص مَعَادِن
24 wedding ring sizing machine	مَآكِيَة ضَبْط مَقَاسَات خَاتَم الزَوَاج
25 ring gauge (Am. gage)	مِقْيَاس الخَوَاتِم
26 ring-rounding tool	أداة تَدْوِير الخَوَاتِم
27 ring gauge (Am. gage)	مِقْيَاس الخَوَاتِم
28 steel set-square	مِثْلث رِسْم مَعْدِنِي قَائِم الزَاوِيَة
29 (circular) leather pad	وَسَادَة جِلْدِيَّة (دَائِرِيَّة)
30 box of punches	صندوق السَنَاك
31 punch	سَنِّيْك
32 magnet	مَغْنَطِيس
33 bench brush	فُرْشَاء طَاوِلَة الشِغْل
34 engraving ball (joint vice, clamp)	كُرَة النَقْش لِحَفْر الكَلِيشِيَة (قَامِطَة مِغْصَلِيَّة)
35 gold and silver balance (assay balance), a precision balance	مِيزَان الذَّهَب والْفِضَّة، مِيزَان حِصَاص
36 soldering flux (flux)	ضَهْوَور لِحَام
37 charcoal block	قِطْعَة فِحم نَبَاتِي لِحَام
38 stick of solder	سِيب لِحَام
39 soldering borax	بُورَاق لِحَام
40 shaping hammer	مِطْرَقَة تَشْكِيل
41 chasing (enchasing) hammer	مِطْرَقَة تَرْصِيع وَزخْرَفَة
42 polishing and burnishing machine	مَآكِيَة صِغْل وَتَلْمِيع
43 dust exhauster (vacuum	جِهَاز طَرْد الأُتْرَبَة

cleaner)	
44 polishing wheel	عَجَلَة الصِغْل
45 dust collector (dust catcher)	حَاجِز الأُتْرَبَة
46 buffing machine	مَآكِيَة تَلْمِيع
47 round file	مِيزِد دَائِرِي المَقْطَع
48 bloodstone (haematite, hematite)	حِجْر النِّدْم (هِمَاتِيْت)
49 flat file	مِيزِد مِسطَح
50 file handle	مِقْبِض المِيزِد
51 polishing iron (burnisher)	قَضِيْب تَلْمِيع (مِصْقَلَة)

109 Watchmaker, Clockmaker

1 watchmaker; also: clockmaker	سَاعَاتِي
2 workbench	طَاوِلَة الشِغْل
3 armrest	مِشْد لِللرَاق
4 oiler	مِزِيَّة
5 oil stand	حَامِل الزَيْت
6 set of screwdrivers	طَاقِم مِفكَات
7 clockmaker's anvil	سِدَّان السَاعَاتِي
8 broach, a reamer	مِثْقَاب، مِشْطَل، مَوْسَع قُتُوب
9 spring pin tool	أداة تَرْكِيْب وَنَزْع المِسمَاجِر
10 hand-removing tool	الزُودَة بِنَابِض
11 watchglass-fitting tool	أداة قِصْل عِقَارِب السَّاعَة
12 workbench lamp, a multi-purpose lamp	أداة تَرْكِيْب زِجَاجَة السَّاعَة مِصْبَاح طَاوِلَة الشِغْل، مِصْبَاح مِتَعَدِد الأَغْرَاض
13 multi-purpose motor	مُوتُور مِتَعَدِد الأَغْرَاض
14 tweezers	مِلْقَاط
15 polishing machine attachments	مِلْمَقَات مَآكِيَة الصِغْل وَالتَلْمِيع
16 pin vice (pin holder)	مَاسِك المِسمَاجِر
17 burnisher, for burnishing, polishing, and shortening of spindles	مَآكِيَة صِغْل وَتَلْمِيع وَتَقْصِير المَحَاوِر
18 dust brush	فُرْشَاء تَظْفِيْف التُّراب
19 cutter for metal watch straps	أداة قِطْع سَوَار السَّاعَة المَعْدِنِي
20 precision bench lathe (watchmaker's lathe)	مِخْرَطَة دَقِيْقَة (مِخْرَطَة السَاعَاتِي)
21 drive-belt gear	تُرْس يَعمَل بِسِير
22 workshop trolley for spare parts	تُرُولِي قِطْع العِيار بِالوَرِشَة
23 ultrasonic cleaner	جِهَاز تَظْفِيْف بِالاهْتِزَاةَات فِوق الصَوْتِيَة
24 rotating watch-testing machine for automatic watches	مَآكِيَة دَوَّارَة لِاخْتِبَار السَاعَات الأَليَّة
25 watch-timing machine for electronic components	مَآكِيَة تَوْقِيْت السَاعَات الخَاصَة بِالأَجْزَاء الإِلِكْترونيَّة
26 testing device for waterproof watches	جِهَاز اخْتِبَار السَاعَات المَقَاوِمَة لِلمَاء
27 electronic timing machine	مَآكِيَة تَوْقِيْت إِلِكْترونيَّة

السَّاعَاتِي

28 vice (Am. vise)	مِلْمِزَة
29 watchglass-fitting tool for armoured (Am. armored) glasses	مَآكِيَة تَرْكِيْب زِجَاجَة السَّاعَة المَدْرَاعَة
30 [automatic] cleaning machine for conventional cleaning	مَآكِيَة تَظْفِيْف آليَّة لِلتَظْفِيْف العَادِي
31 cuckoo clock (Black Forest clock)	سَاعَة مَعْرُودَة
32 wall clock (regulator)	سَاعَة حَائِط
33 compensation pendulum	بِنْدُول السَّاعَة
34 kitchen clock	سَاعَة المِطْخ
35 timer	جِهَاز تَوْقِيْت

110 Clocks and Watches

1 electronic wristwatch	سَاعَة يَد إِلِكْترونيَّة
2 digital display (a light-emitting diode (LED) display; also: a liquid crystal display, LCD)	شَاشَة عَرَض رَقْمِيَّة، أَيْضاً شَاشَة عَرَض بِلُورِي سَائِل
3 hour and minute button (on 6, also for setting the analogue (Am. analog) display)	زَرْ حِصْب السَاعَات وَالدَّقَائِق (في رقم 6 يَسْتخدَم أَيْضاً لِضَبْط شَاشَة العَرَض التَماثِلِيَّة)
4 date and second button	زَرْ حِصْب التَارِيخ وَالثَوَانِي
5 strap (watch strap)	طُوق/سَوَار السَّاعَة
6 multifunction electronic watch	سَاعَة إِلِكْترونيَّة مِتَعَدِدَة الأِستِخْدَامَات
7 analogue (Am. analog) display	شَاشَة عَرَض تَماثِلِيَّة
8 alarm button	زَرْ المِنبِه
9 stopwatch button	زَرْ سَاعَة الإِيْقَاف
10 rotating bezel (time-lapse indicator ring)	قُرْص دَوَّار (قُرْص تحْدِيد الزَمَن المُنقَضِي)
11 calendar clock (alarm clock)	سَاعَة بِنْتِيجَة (سَاعَة بِجِرس مِنبِه)
12 digital display with flip-over numerals	شَاشَة عَرَض رَقْمِي بِهَا أرقام قَلَابَة
13 alarm indicator	مُؤشِّر المِنبِه
14 stop button	زَرْ إِيْقَاف جِرس المِنبِه
15 forward and backward wind knob	ذِرَاع التَقْدِيم وَالتَّأخِير
16 grandfather clock	سَاعَة قَائِمَة
17 face	وَجْه السَّاعَة
18 clock case	صندوق السَّاعَة
19 pendulum	بِنْدُول السَّاعَة
20 striking weight	تَقْل دَقَّات السَّاعَة
21 time weight	تَقْل الوَقْت
22 sundial	العُرْوَة، سَاعَة شَمْسِيَّة
23 hourglass (egg timer)	سَاعَة رَمْلِيَّة
24-35 components of an automatic watch (automatic wristwatch, self-winding watch)	مُكَوِّنَات سَاعَة يَد آليَّة
24 weight (rotor)	تَقْل (رِفَاص)
25 stone (jewel, jewelled bearing) a synthetic	حِجْر كُرْمِي، يَاقُوت صِنَاعِي

26	click	سقاطة
27	click wheel	رُؤس السقاطة
28	clockwork (clockwork mechanism)	آليّة السّاعة
29	bottom train plate	اللّوْحَة السفليّة لتثبيت القروس
30	spring barrel	رُؤس زنبكري
31	balance wheel	رُؤس موازنة
32	escape wheel	رُؤس الانفلات المنتظم
33	crown wheel	رُؤس إبريز ملء السّاعة
34	winding crown	إبريز ملء السّاعة
35	drive mechanism	آليّة الدّفع/الإدارة
36	principle of the electronic quartz watch	قاعدة ساعة الكوارتز الإلكترونية
37	quartz	بلورة الكوارتز
38	power source (a button cell)	مضدّر طاقة (بطارية جافة)
39	hour hand	عُقْرَب الساعات
40	minute hand	عُقْرَب الدقائق
41	wheels	تروس
42	stepping motor (stepper motor)	موتور التدرّيج
43	frequency divider (integrated circuit)	مقسّم التردد (دائرة متكاملة)
44	decoder	ديكودر (جهاز فك الرموز)

111 Optician

1-19 sales premises

1-4 spectacle fitting

1	optician	أخصائي البصريات، النظاراتي
2	customer	زبون
3	trial frame	إطار التجريب
4	mirror	مرآة
5	stand with spectacle frames (display of frames, range of spectacles)	حامل عرض إطارات النظارات
6	sunglasses (sun spectacles)	نظارات شمسيّة
7	metal frame	إطار معدني (شئير معدني)
8	tortoiseshell frame (shell frame)	إطار / شئير ذلي (بأغة)
9	spectacles (glasses)	عويّات (نظارات)
10-14	spectacle frame	إطار/شئير النظارة
10	fitting (mount) of the frame	مُثَبِّت إطار النظارة
11	bridge	جسر الإطار (كوبري الإطار)
12	pad bridge	وسادة قضبة الأنف
13	side	ذراع النظارة
14	side joint	مفصل ذراع النظارة
15	spectacle lens, a bifocal lens	عدسة النظارة، عدسة ازدواجية البؤرة
16	hand mirror (hand glass)	مرآة يدوية

17	binoculars	منظار ذو عينيّين
18	monocular telescope (tube)	تليسكوب وحيد العينيّة
19	microscope	ميكروسكوب، مجهر
20-47	optician's workshop	ورشة النظاراتي
20	workbench	طاولة الشغل
21	universal centring (centering) apparatus	جهاز تحديد المركز عام الأغراض
22	centring (centering) suction holder	حامل شفاط تحديد المركز
23	sucker	شفاط
24	edging machine	ماكينة تحقيف
25	formers for the lens edging machine	قوالب التشكيل الخاصة بماكينة تحقيف العدسات
26	inserted former	قالب تشكيل مركّب بالماكينة
27	rotating printer	طابعة دوّارة
28	abrasive wheel combination	عجلة التليخ
29	control unit	وحدة التحكم
30	machine part	جزء الماكينة
31	cooling water pipe	أنبوب ماء التبريد
32	cleaning fluid	محلّوّل التنظيف
33	focimeter (vertex refractionometer)	مقياس الضبط البؤري
34	metal-blocking device	جهاز قوبلة معدنية
35	abrasive wheel combination and forms of edging	مجموعة عجلة التليخ وفورمات ضبط الحواف
36	roughing wheel for preliminary surfacing	عجلة تخشين للسطح الأولية
37	fining lap for positive and negative lens surfaces	المصقلّة الدقيقة لأسطح العدسات الموجبة والسالبة
38	fining lap for special and flat lenses	المصقلّة الدقيقة للعدسات الخاصة والمستوية
39	plano-concave lens with a flat surface	عدسة مقعرة مستوية ذات سطح مسطح
40	plano-concave lens with a special surface	عدسة مقعرة مستوية ذات سطح خاص
41	concave and convex lens with a special surface	عدسة محدّبة ومقعرة ذات سطح خاص
42	convex and concave lens with a special surface	عدسة محدّبة ومقعرة ذات سطح خاص
43	ophthalmic test stand	جهاز فحص العين
44	phoropter with ophthalmometer and optometer (refractometer)	فروبرتر مع جهاز فحص قاع العين (مكشاف) وجهاز قياس مدى الإبصار (مبصار)
45	trial lens case	حقيبة عدسات التجريب
46	collimator	موجّه الأشعة، المسددة
47	acuity projector	بروجكتور وحدة الرؤية

112 Optical Instruments (I)

1	laboratory and research	ميكروسكوب الصنّاع
---	-------------------------	-------------------

microscope, Leitz system	المجهر، نظام لايتز	
2	stand	حامل
3	base	قاعدة
4	coarse adjustment	مقبض الضبط التقريبي
5	fine adjustment	مقبض الضبط الدقيق
6	illumination beam path (illumination path)	مسار الحزمة الضوئية
7	illumination optics	بصريّات ضوئية
8	condenser	مكثف
9	microscope (microscopic, object) stage	منصّة الميكروسكوب
10	mechanical stage	منصّة ميكانيكية
11	objective turret (revolving nosepiece)	برج جسمية المجهر (برج دوار متعدد العدسات لفحص العينة المجهريّة)
12	binocular head	رأس ذات عينيّين
13	beam-splitting prisms	مناشير تقريق أشعة الحزمة الضوئية
14	transmitted-light microscope with camera and polarizer, Zeiss system	مجهر/ميكروسكوب الضوء النافذ مزود بكاميرا ومستقطب (نظام "زايس")
15	stage base	قاعدة المنصّة
16	aperture-stop slide	شريحة منزلة ذات ثقب
17	universal stage	منصّة جامعة/متعددة الأغراض
18	lens panel	لوحة العدسات
19	polarizing filter	مرشّح استقطابي
20	camera	كاميرا
21	focusing screen	شاشة التركيز البؤري
22	discussion tube arrangement	ترتيبة صمام الفحص
23	wide-field metallurgical microscope, a reflected- light microscope (microscope for reflected light)	مجهر معدني واسع الحقل، مجهر الضوء المنعكس
24	mat screen (ground glass screen, projection screen)	حاجز مطفأ لللمعة (حاجز من الزجاج المنصفر)
25	large-format camera	كاميرا ضخمة البیان
26	miniature camera	كاميرا صغيرة
27	base plate	لوحة القاعدة
28	lamphouse	بيتّ المصابيح
29	mechanical stage	منصّة ميكانيكية
30	objective turret (revolving nosepiece)	برج جسمية المجهر (برج دوار متعدد العدسات لفحص العينة المجهريّة)
31	surgical microscope	مجهر جراحي
32	pillar stand	حامل قائم
33	field illumination	إضاءة المجال
34	photomicroscope	مجهر تصويري
35	miniature film cassette	كاسيت فيلم صغير
36	photomicrographic camera attachment for large-format or television camera	وحلة كاميرا تصوير مجهري للكاميرا ضخمة البیان أو كاميرا تلفزيونية
37	surface-finish	مجهر مستوى السطح

microscope	المجهر	
38	light section tube	أنبوب قطاع الضوء
39	rack and pinion	جريدة مسننة ومسننة صغيرة
40	zoom stereomicroscope	مجهر مجسم ذو عدسة زوم
41	zoom lens	عدسة زوم
42	dust counter	كاونتر الأتربة
43	measurement chamber	حجرة القياس
44	data output	خروج البيانات
45	analogue (Am. analog) output	خروج تماثلي
46	measurement range selector	ذراع اختيار قياس المدى
47	digital display (digital readout)	شاشة عرض رقمية
48	dipping refractometer for examining food	مقياس انكسار غاطس لفحص الطعام
49	microscopic photometer	فوتومتر مجهري
50	photometric light source	مضدّر ضوء فوتومتري
51	measuring device (photomultiplier, multiplier phototube)	جهاز قياس (مضاعف ضوئي إلكتروني، صمام ضوئي مضاعف)
52	light source for survey illumination	مضدّر ضوء لإنارة المسح الحقلّي
53	remote electronics	وحدة إلكترونيات يتم تشغيلها عن بعد
54	universal wide-field microscope	مجهر واسع الحقل متعدد الأغراض
55	adapter for camera or projector attachment	مهايئ لوصلة كاميرا أو فانوس إسقاط (بروجكتور)
56	eyepiece focusing knob	مفتاح إكحام العينيّة
57	filter pick-up	لاقط المرشّح
58	handrest	مسند اليد
59	lamphouse for incident (vertical) illumination	مقر المصابيح الخاصة بالإضاءة الساقطة (العمودية)
60	lamphouse connector for transillumination	قارئة مقر المصابيح للإضاءة المتبادلة
61	wide-field stereo-microscope	مجهر مجسم واسع الحقل
62	interchangeable lenses (objectives)	عدسات (شئيّة) قابلة للإبدال فيما بينها
63	incident (vertical) illumination (incident top lighting)	مضدّر الضوء الساقط (ضوء علوي ساقط)
64	fully automatic microscope camera, a camera with photo-micro mount adapter	كاميرا مجهريّة تعمل ألياً بالكامل
65	film cassette	كاسيت الفيلم
66	universal condenser for research microscope I	مكثف متعدد الأغراض لمجهر الأبحاث
67	universal-type measuring machine for photogrammetry (photo-theodolite)	آلة قياس من النوع الجامع خاصة بالتصوير المساحي الجوى
68	photogrammetric	كاميرا فوتوجرامترية

camera
69 motor-driven level, a compensator level
70 electro-optical distance-measuring instrument
71 stereometric camera
72 horizontal base
73 one-second theodolite

113 Optical Instruments II

1 2.2 m reflecting telescope (reflector)
2 pedestal (base)
3 axial-radial bearing
4 declination gear
5 declination axis

6 declination bearing
7 front ring
8 tube (body tube)
9 tube centre (*Am.* center) section
10 primary mirror (main mirror)
11 secondary mirror (deviation mirror, corrector plate)
12 fork mounting (fork)
13 cover
14 guide bearing
15 main drive unit of the polar axis
16-25 telescope mountings (telescope mounts)
16 refractor (refracting telescope) on a German-type mounting
17 declination axis
18 polar axis
19 counterweight (counterpoise)
20 eyepiece
21 knee mounting with a bent column
22 English-type axis mounting (axis mount)
23 English-type yoke mounting (yoke mount)
24 fork mounting (fork mount)
25 horseshoe mounting (horseshoe mount)
26 meridian circle
27 divided circle - (graduated circle)

مِيزَان مِسَاحِي يَعْمَل بِمَحْرَك
 آلة قِيَاس مَسَافَات كَهْرَبُصْرِيَّة
 كَامِيرَا مَحْسُومَة
 قَاعِدَة أَفْقِيَّة
 مِزْوَاة/ثِيودُولَيْت لِلْقِيَاس فِي الثَّانِيَةِ الْوَاحِدَة
 مِيزَان مِسَاحِي يَعْمَل بِمَحْرَك
 آلة قِيَاس مَسَافَات كَهْرَبُصْرِيَّة
 قَاعِدَة أَفْقِيَّة
 مِزْوَاة/ثِيودُولَيْت لِلْقِيَاس فِي الثَّانِيَةِ الْوَاحِدَة
 قَاعِدَة
 مَحْمَلٌ مَحْوَرِي نِصْف قَطْرِي
 آليَّة خِطْب المِيل
 مَحْوَر الانْحِرَاف الرَّاوِي/المِيل
 مَحْمَلٌ آليَّة خِطْب المِيل
 الْهَلْقَة الْأَسَاسِيَّة
 أَتْيُوب
 جِزء مَرَكز الْأَتْيُوب
 المِرآة الرئِيسِيَّة
 المِرآة الثَّانَوِيَّة (مِرآة الانْحِرَاف)
 مَحْمَل شُوكَة
 غِطَاء
 مَحْمَل دَلِيلِي
 وَحْدَة الْإِدَارَة الرئِيسِيَّة لِلْمَحْوَر القَطْبِي
 مَحَامِل المِيسُكُوب
 ثَلِيسُكُوب عَاكِس مَثْبِت عَلَى قَاعِدَة مَن الطَّرَاز الْأَلْمَاني
 مَحْوَر المِيل
 المَحْوَر القَطْبِي
 ثِقْلٌ مَوَازِن
 عَيْنِيَّة
 مَحْمَل مَرَقِي ذُو عَمُود
 مَحْمَل مَحْوَرِي مَن الطَّرَاز الْإِنجِلِيزِي
 مَحْمَل مَقْرَن مَن الطَّرَاز الْإِنجِلِيزِي
 مَحْمَل شُوكَة (مَشْتَعِب)
 مَحْمَلٌ عَلَى شَكْل حِدْوَة
 بَكَرَة الرُفْلِيم السُّوْلِي
 وَرَق تَلْفِيل
 كَامِيرَا عَاكِسَة ذَات عَدْسَة مَزْدُوجَة
 مِجْهَر القَرَاءَة
 ثَلِيسُكُوب خِط الزَّوَال
 مِجْهَر الكِتْرُونِي
 أَتْيُوب المِجْهَر (جِسْم المِجْهَر)
 مَدْفَع كَهْرَابِ مَكْتَفَات
 دِسَام هَوَائِي لِإِدْخَال العَيْنَات
 ذِرَاع التَّحْكَم فِي خِطْب مَنصَة العَيْنَات
 ذِرَاع التَّحْكَم الْخَاصَة بِفَتْحَات العَدْسَة الثَّبِثِيَّة
 عَدْسَة الثَّبِثِيَّة
 الشَّاشَة المَوَسَّطَة الْعَاكِسَة للصُّورَة
 مَكْبَر تَلْسُكُوبِي للصُّورَة
 أَتْيُوب الصُّورَة النِّهَائِيَّة
 حِجْرَة فُوتُوغْرَافِيَّة لِخَزَانَات الْأَفْلَام وَالْأَلْوَالِح
 المِجْهَر (1)
 كَامِيرَا صَغِيرَة (كَامِيرَا 35 مِلْم)
 عَيْنِيَّة رُؤْيَة المَنْظَر
 خَلِيَّة مَترِيَّة
 حِذَاء تَرْكِيب المِلْحَقَات
 عَدْسَة مَسَاطِحَة
 ذِرَاع لَف الفِيلْم
 كَاسِيَت (عَلِيَّة) فِيلْم مَضَعَر
 (عَلِيَّة فِيلْم 135 ، عَلِيَّة فِيلْم 35 مِلْم)
 بَكَرَة الفِيلْم
 فِيلْم ذُو دَلِيل وَتَقُوب
 قِطْعَة الكَاسِيَت
 كَامِيرَا تَرُود بَلْفِيغَة فِيلْم
 زَرَّ تَحْرِير مَغْلَاق العَدْسَة
 مَوْضِع تَوْصِيل مَكْبَع الفِلَاش
 عَيْنِيَّة رُؤْيَة مَسْتَطِيلَة
 لَفِيغَة فِيلْم 126
 كَامِيرَا جِيب
 لَفِيغَة فِيلْم 110
 نَافِذَة الفِيلْم
 فِيلْم 120 رُلْفِيلْم
 بَكَرَة الرُفْلِيم المَلْفُوف
 وَرَق تَلْفِيل
 كَامِيرَا عَاكِسَة ذَات عَدْسَة مَزْدُوجَة

23 folding viewfinder
24 meter cell
25 viewing lens
26 object lens
27 spool knob
28 distance setting (focus setting)
29 exposure meter using needle-matching system
30 flash contact
31 shutter release
32 film transport (film advance, film wind)
33 flash switch
34 aperture-setting control
35 shutter speed control

36 large-format hand camera (press camera)
37 grip (handgrip)
38 cable release
39 distance-setting ring (focusing ring)
40 rangefinder window
41 multiple-frame viewfinder (universal viewfinder)
42 tripod
43 tripod leg
44 tubular leg
45 rubber foot
46 central column
47 ball and socket head
48 cine camera pan and tilt head
49 large-format folding camera
50 optical bench
51 standard adjustment

52 lens standard
53 bellows
54 camera back
55 back standard adjustment
56 hand-held exposure meter (exposure meter)
57 calculator dial
58 scales (indicator scales) with indicator needle (pointer)
59 range switch (high/low range selector)
60 diffuser for incident light measurement
61 probe exposure meter for large-format

غِطَاء عَيْنِيَّة رُؤْيَة المَنْظَر
 قَابِل لِلطِّي
 خَلِيَّة مَترِيَّة
 عَدْسَة رُؤْيَة
 عَدْسَة شَيْبِيَّة
 مَقْبَض البَكَرَة
 حَلْقَة خِطْب المَسَافَة
 مَقْيَاس مَدَة التَّعْرِيزِ للضَّوء بِاسْتِخْدَام نِظَام مِطَابِقَة الْإِبْرَة
 مَوْضِع تَوْصِيل الفِلَاش
 زَرَّ تَحْرِير مَغْلَاق العَدْسَة
 لَف الفِيلْم لِلْأَمَام
 زَرَّ تَشْغِيل الفِلَاش
 زَرَّ خِطْب فَتْحَة العَدْسَة
 زَرَّ التَّحْكَم فِي سُرْعَة المَغْلَاق
 كَامِيرَا تَصْوِيرِ صَحْفِي
 مَقْبَض مَسْك الكَامِيرَا
 ذِرَاع تَحْرِير الكَبِيل
 حَلْقَة خِطْب المَسَافَة
 نَافِذَة تَحْدِيد المَدَى
 عَيْنِيَّة رُؤْيَة جَامِعَة
 حَامِل ثَلَاثِي
 سَاق الحَامِلِ الثَّلَاثِي
 سَاق أَتْيُوبِيَّة
 قَدَم مِطَابِقَة
 العَمُود المَرَكْزِي
 رَأْس ذُو كُرَة وَحَقْ
 كَلْفَة كَامِيرَا تَصْوِيرِ سِينِمَائِي
 ذَات رَأْس مَائِل
 كَامِيرَا كَبِيرَة الْبَيَان قَابِلَة لِلطِّي
 مَنصَة بَصْرِيَّة ضَوْئِيَّة
 ذِرَاع خِطْب الحَامِلِ العَمُودِي
 الحَامِلِ العَمُودِي لِلْعَدْسَة
 مِفْتَاح الكَامِيرَا
 طَهْر الكَامِيرَا
 ذِرَاع خِطْب الحَامِلِ العَمُودِي الخَلْفِي
 مَقْيَاس يَدَوِي لِحَسَاب مَدَة التَّعْرِيزِ للضَّوء
 قُرْص حَاسِب
 مَقْيَاس مَزْدُوج ذُو مَوْشَر
 مِفْتَاح خِطْب المَدَى
 نَاشِرَة لِقِيَاس الضَّوء السَاقِط
 مَقْيَاس مِسْبَارِي لِمَدَة التَّعْرِيزِ للضَّوء لِلْكَامِيرَات

كَبِيرَة الْبَيَان
 عَدَاة
 مِسْبَار
 شَرِيحَة قَاتِمَة
 فِلَاش إِلِكْتْرُونِي مَحْمُول يَعْمَل بِالْبَطَارِيَّة
 وَحْدَة حِزْمَة الطَّاقَة
 رَأْس الفِلَاش
 فِلَاش إِلِكْتْرُونِي مَن وَحْدَة مَفْرَدَة
 عَاكِس مَثْبِت عَلَى مَحْوَر دُورَانِي
 صِمَام ثَنَائِي ذُو مَوْصِلِيَّة ضَوْئِيَّة
 قَدَم ، قَاعِدَة
 نِصْف التَّلَاسِ السَاخِن
 وَحْدَة مَكْبَع الفِلَاش
 مَكْبَع الفِلَاش
 لُوح الفِلَاشَات (أَجْفَا)
 جِهَاز عَرْض الشَّرَائِع
 عَلْبَة دَوَارَة
115 Photography II
1-24 system camera
 (fully automatic miniature single-lens reflex camera)
1 main switch
2 function adjustment button (to set exposure adjustment value, drive mode, and focus area)
3 exposure mode button
4 accessory shoe
5 program reset button
6 data panel (data monitor, data display)
7 card on/off key
8 function selector key
9 chip program card
10 card door
11 card window
12 battery chamber
13 remote control terminal
14 shutter release (shutter release button)
15 autofocus (AF) illuminator and self-timer light
16 manual shutter control [up/down control]
17 reflex mirror
18 autofocus sensor, a CCD image converter (image sensor)

مِفْتَاح التَّشْغِيلِ الرئِيسِي
 زَرَّ خِطْب الوَظِيْفَة (لِضْبِط قِيْمَة تَعْدِيل تَعْرِيزِ الفِيلْم للضَّوء ، وَنِطْم الْإِدَارَة ، وَنَاطِق التَّرْكِيز الْيُورِي)
 زَرَّ نِطْم تَعْرِيزِ الفِيلْم للضَّوء
 حِذَاء تَرْكِيب المِلْحَقَات
 زَرَّ إِعَادَة خِطْب الْبَرَنَامِج
 لُوحَة الْبَيَانَات
 زَرَّ تَشْغِيل/إِقْبَاف الْبَطَاقَة
 مِفْتَاح إِخْتِيَار الوَظِيْفَة
 بَطَاقَة بَرَنَامِج رَقَائِيْقِيَّة
 بَاب إِدْخَال الْبَطَاقَة
 شُبَاك الْبَطَاقَة
 حِجْرَة الْبَطَارِيَّة
 طَرَفِيَّة التَّحْكَم عَن بَعْد
 زَرَّ تَحْرِير مَغْلَاق العَدْسَة
 مَوْشَر ضَوْئِي لِإِحْكَام الْآلِي لِلْيُورَة وَضَوْء جِهَاز التَّوْقِيْتِ الذَّاتِي
 التَّحْكَم يَدَوِي فِي مَغْلَاق العَدْسَة
 مِرآة عَاكِسَة
 خَلِيَّة اسْتِشْعَار آليَّة الْيُورَة

44 yellow filter adjustment (minus blue filter adjustment)	ذراع ضبط مرشح الصبغ الأصفر
45 cyan filter adjustment (minus red filter adjustment)	ذراع ضبط مرشح لون السيان
46 red swing filter	مرشح الصبغ الأحمر المترجّع
47 print tongs	مِقْطَع مسك الصور المطبوعة
48 processing drum	أَسْطُوَانَة مَعَالِجَة
49 squeegee	ممسحة مطافية
50 range (assortment) of papers	تشكيلة من الأوراق
51 colour (<i>Am.</i> color) printing paper, a packet of photographic printing paper	ورق طباعة الصور الملونة
52 colour (<i>Am.</i> color) chemicals (colour processing chemicals)	مواد كيميائية للطباعة الملونة
53 enlarging meter (enlarging photometer)	مقياس التكبير
54 adjusting knob with paper speed scale	ذراع ضبط مرزود بمقياس سرعة الورق
55 probe	مسبار
56 semi-automatic thermostatically controlled developing dish	طبق إظهار نصف آلي يتم التحكم فيه ترموستاتياً
57 rapid print drier (heated print drier)	مُجَفِّف سريع للصور المطبوعة
58 glazing sheet	فَرْج تلميع
59 pressure cloth	نسج (قطني) ضاغط
60 automatic processor (machine processor)	ماكينة معالجة آلية
117 Cine Film	التصوير السينمائي
1 cine camera, a Super 8 sound camera	كاميرا سينمائية، كاميرا سوبر 8 صوتية
2 interchangeable zoom lens (variable focus lens, varifocal lens)	عدسة زوم قابلة للإبدال (عدسة متغيرة البؤرة)
3 distance setting (focus setting) and manual focal length setting	ضبط المسافة وضبط الطول البؤري يدوياً
4 aperture ring (aperture-setting ring, aperture control ring) for manual aperture setting	حلقة ضبط فتحة العدسة لضبط الفتحة يدوياً
5 handgrip with battery chamber	مقبض الكاميرا وبه حجرة البطارية
6 shutter release with cable release socket	زر تحرير مغلاق العدسة ومقبض تحرير الكيل
7 pilot tone or pulse generator socket for the sound recording equipment (with the dual film-tape system)	مقبس النغمة الدليلية أو مولد الترددات الخاص بتسجيل الصوت (في نظام شريط الفيلم الثنائي)
8 sound connecting cord for microphone or	سلك توصيل الصوت الخاص بالميكروفون أو

19 bayonet mounting ring	حلقة توصيل على شكل حربة
20 aperture setting button	زر ضبط فتحة العدسة
21 lens release	زر إطلاق العدسة
22 focus-mode switch (to switch to manual focusing)	مفتاح نمط ضبط البؤرة (للتحويل إلى إحكام البؤرة يدوياً)
23 autofocus zoom lens, a x3 zoom lens (35-105 mm)	عدسة زوم آلية الإحكام البؤري (35-105 مم)
24 aperture and autofocus contacts	ملاصقات فتحة العدسة والبؤرة الآلية
25-35 viewfinder screen (focusing screen, matt screen), a micro-honeycombed focusing screen	شاشة مُحدّد الرؤية (شاشة الإحكام البؤري)
25 flash-on signal	إشارة تشغيل الفلاش
26 flash-ready signal	إشارة أن الفلاش جاهز للتشغيل
27 focus signals	إشارات التركيز البؤري
28 wide focus area	منطقة واسعة البؤرة
29 shutter speed display	شاشة عرض سرعة مغلاق العدسة
30 manual-exposure compensation-value indicator	مؤشر القيمة الموازنة للتعويض للضوء يدوياً
31 aperture or exposure adjustment indicator	مؤشر ضبط فتحة العدسة أو تعويض الفيلم للضوء
32 spot metering indicator	مؤشر القياس الفوري
33 spot metering area	منطقة القياس الفوري
34 centre focus area	منطقة البؤرة المركزية
35 focus area indicator	مؤشر منطقة البؤرة
36-42 LCD data panel (data monitor)	لوحة البيانات
36 program exposure-mode indicator	مؤشر تعويض الفيلم للضوء
37 frame counter	عداد إطاري
38 function indicators	مؤشرات الوظائف
39 aperture or exposure adjustment indicator	مؤشر ضبط فتحة العدسة أو التعويض للضوء
40 shutter speed or film speed (film sensitivity) indicator	مؤشر سرعة مغلاق العدسة أو سرعة الفيلم
41 film transport indicator	مؤشر لف الفيلم للأمام
42 function pointer	مؤشر الوظيفة
43 interchangeable lenses (autofocus lenses, AF lenses)	عدسات قابلة للإبدال فيما بينها
44 fisheye lens (fisheye)	عدسة عين السمكة
45 wide-angle lens (short focal-length lens)	عدسة واسعة الزاوية (عدسة قصيرة البعد البؤري)
46 standard lens	عدسة قياسية
47 medium focal-length lens	عدسة متوسطة الطول البؤري
48 telephoto lens (long focal-length lens), a zoom lens (variable	عدسة تصوير عن بعد (عدسة طويلة البعد البؤري)، عدسة زوم

focus lens, varifocal lens)	عدسة متنوعة البعد البؤري
49 long-focus lens	عدسة طويلة البعد البؤري
50 mirror lens	عدسة مرآوية
51 tele converter	شحول التصوير عن بعد
52 data back	ظهر كتابة البيانات
53 ten-metre (<i>Am.</i> ten-meter) film back (magazine back)	ظهر مخزن فيلم 10 م (المخزن)
54-74 accessories for close-up and macro shots	ملحقات تصوير المناظر القريبة واللقطات الكبيرة
54 extension tube	أنبوب استطالة
55 adapter ring	حلقة مهايئة
56 reversing ring	حلقة عاكسة
57 lens in retrofocus position	عدسة في وضع إحكام خلفي
58 bellows unit (extension bellows, close-up bellows attachment)	وحدة منفاخ الكاميرا
59 focusing stage	منصة التركيز البؤري
60 slide-copying attachment	ملحق شريحة نسخ الشرائح
61 slide-copying adapter	مهايئ الشريحة الناسخة
62 cable release	زر تحرير الكيل
63 copying stand (copy stand)	حامل النسخ (حامل النسخة)
64 arm of the copying stand (copy stand)	ذراع حامل النسخة
65 rifle grip	قبضة بندقية
66 table (-top) tripod (mini tripod)	حامل نضدي ثلاثي (حاجيل صغير)
67 ever-ready case	حقيبة كاميرا مجهزة
68 lens case	علبة العدسات
69 soft-leather lens pouch	كيس من الجلد الطري لحفظ العدسات
70 camera bag, of metallic construction: aluminium (<i>Am.</i> aluminum) case	حقيبة الكاميرا من المعدن، صندوق من الألمونيوم
71 film container	علبة الفيلم
72 filter case	علبة المرشحات
73 second body	الجسم الثاني
74 ring flash for macro shots	فلاش حلقي للقطات الكبيرة

116 Photography III	التصوير (3)
1-60 darkroom equipment	معدات الحجرة المظلمة
1 developing tank	خزان الإظهار
2 spiral (developing spiral, tank reel)	حلزون (حلزون الإظهار، بكرّة الخزان)
3 multi-unit developing tank	خزان إظهار متعدد الوحدات
4 multi-unit tank spiral	حلزون إظهار متعدد الوحدات
5 daylight-loading tank	خزان تعبئة الأفلام في ضوء النهار
6 loading chamber	حجرة تعبئة الفيلم

7 film transport handle	ذراع تقديم الفيلم
8 developing tank thermometer	ترمومتر خزان الإظهار
9 collapsible bottle for developing solution	قنبلة مطول الإظهار قابلة للطي
10 chemical bottles for first developer, stop bath, colour developer, bleach-hardener, stabilizer	قنبيات تحوي مواد كيميائية للمظهر الأول، حمام الإيقاف، مظهر الألوان، ممتد مادة التقصير، و المثبّت
11 measuring cylinders	أسطوانات قياس
12 funnel	قمع
13 tray thermometer (dish thermometer)	ترمومتر صينية
14 film clip	مشبك تثبيت الأفلام
15 wash tank (washer)	خوض غسل
16 water supply pipe	أنبوب إمداد الماء
17 water outlet pipe	أنبوب خروج الماء
18 laboratory timer (timer)	جهاز توقيت مختبري
19 automatic film agitator	مقلب أفلام آلي
20 developing tank	خزان الإظهار
21 darkroom lamp (safe-light)	مصباح الحجرة المظلمة (ضوء آمن)
22 filter screen	ستار ترشيح
23 film drier (drying cabinet)	كابينة تجفيف الأفلام
24 exposure timer	جهاز توقيت ضبط مدة التعويض للضوء
25 developing dish (developing tray)	صينية الإظهار
26 enlarger	آلة التكبير
27 baseboard	لوح القاعدة
28 angled column	عمود زاوي
29 lamphouse (lamp housing)	ذوارة المصباح
30 negative carrier	حامل النجائيف
31 bellows	منفاخ الكاميرا
32 lens	عدسة
33 friction drive for fine adjustment	ناقل حركة احتكاكي للضبّط الدقيق
34 height adjustment (scale adjustment)	آلية ضبط الارتفاع
35 masking frame (easel)	برواز الطبع التصويري
36 colour (<i>Am.</i> color) analyser	محلّل الألوان
37 colour (<i>Am.</i> color) analyser lamp	مصباح محلّل الألوان
38 probe lead	سلك مسباري
39 exposure time balancing knob	زر موازنة فترة التعويض
40 colour (<i>Am.</i> color) enlarger	آلة تكبير بالألوان
41 enlarger head	رأس آلة التكبير
42 column	قائم عمودي
43-45 colour-mixing (<i>Am.</i> color-mixing) knob	آلية خلط الألوان
43 magenta filter adjustment (minus green filter adjustment)	ذراع ضبط مرشح الماجنتا

external sound source (in single-system recording)	مصدر صوت خارجي
9 remote control socket (remote control jack)	مقبس التحكم من بعد (جاك التحكم من بعد)
10 headphone socket (sim.: earphone socket)	مقبس السماعات
11 autofocus override switch	مفتاح تجاوز الضبط الأوتوماتي للبعد البؤري
12 filming speed selector	مفتاح ضبط سرعة التصوير
13 sound recording selector switch for automatic or manual operation	مفتاح اختيار نظام تسجيل الصوت للتشغيل الآلي أو اليدوي
14 eyepiece with eyecup	عدسة الكاميرا وكأس العين
15 diopter control ring (diopter adjustment ring)	حلقة التحكم في ديوبتر العدسة
16 recording level control (audio level control, recording sensitivity selector)	التحكم في مستوى تسجيل الصوت
17 manual/automatic exposure control switch	مفتاح التحكم الخاص بتعريض الفيلم للضوء يدوي/آلياً
18 film speed setting	ضبط سرعة الفيلم
19 power zooming arrangement	نظام تشغيل الزوم
20 automatic aperture control	التحكم آلياً في فتحة العدسة
21 sound track system	نظام مسلك الصوت
22 sound camera	كاميرا تسجيل صوت وصورة
23 telescopic microphone boom	ذراع استطالة ميكروفون تليسكوبي
24 microphone	ميكروفون
25 microphone connecting lead (microphone connecting cord)	سلك توصيل الميكروفون
26 mixing console (mixing desk, mixer)	كونسول المزج
27 inputs from various sound sources	مدخلات من عدة مصادر للصوت
28 output to camera	خارج توصيل بالكاميرا
29 Super-8 sound film cartridge	خراطوش فيلم تسجيل صوتي لكاميرا سوبر 8
30 film gate of the cartridge	بوابة الفيلم بالخراطوش
31 feed spool	بكرة إقحام الفيلم
32 take-up spool	بكرة إلتقاط الفيلم
33 recording head (sound head)	رأس التسجيل
34 transport roller (capstan)	أسطوانة لف الفيلم
35 rubber pinch roller (capstan idler)	أسطوانة مطاطية
36 guide step (guide notch)	درجة دليلية
37 exposure meter control step	آلية التحكم في مقياس تعريض الفيلم للضوء

38 conversion filter step (colour, Am. color, conversion filter step)	آلية فلتر التحويل
39 single-8 cassette	كاسيت فيلم كاميرا 8 مسلك
40 film gate opening	فتحة بوابة الفيلم
41 unexposed film	فيلم لم يُعرض للضوء
42 exposed film	فيلم تم تعريضه للضوء
43 16 mm camera	كاميرا 16 ملم
44 reflex finder (through-the-lens reflex finder)	مُحدّد رؤية انعكاسي
45 magazine	مخزن الفيلم
46-49 lens head	رأس العدسة
46 lens turret (turret head)	برج العدسة
47 telephoto lens	عدسة التصوير من بُعد
48 wide-angle lens	عدسة واسعة الزاوية
49 normal lens (standard lens)	عدسة عادية (عدسة قياسية)
50 winding handle	ذراع لف الفيلم
51 compact Super-8 camera	كاميرا سوبر 8 مدمجة
52 footage counter	عداد اللقطات
53 macro zoom lens	عدسة زوم للتصوير الكبير
54 zooming lever	ذراع تشغيل الزوم
55 macro lens attachment (close-up lens)	عدسة تصوير اللقطات الكبيرة (عدسة تصوير اللقطات القريبة)
56 macro frame (mount for small originals)	إطار تركيب الصور الأصلية الصغيرة المراد تكبيرها
57 underwater housing (underwater case)	غرفة الكاميرا للتصوير تحت الماء
58 direct-vision frame finder	مُحدّد إطار الرؤية المباشرة
59 measuring rod	قضيب قياس
60 stabilizing wing	جناح تثبيت
61 grip (handgrip)	مقبض صندوق الكاميرا
62 locking bolt	مسمار ربط
63 control lever (operating lever)	ذراع التشغيل
64 porthole	فتحة صندوق الكاميرا
65 synchronization start (sync start)	بدء التسجيل المتزامن
66 professional press-type camera	كاميرا تصوير صحافي
67 cameraman	المصور
68 camera assistant (sound assistant)	المصور المساعد
69 handclap marking sync start	إشارة يدوية لبدء التصوير المتزامن بالصوت والصورة
70 dual film-tape recording using a tape recorder	التسجيل الثنائي باستخدام مسجل بشريط فيلمي
71 pulse-generating camera	كاميرا توليد نبضي
72 pulse cable	كابل نبضي
73 cassette recorder	جهاز تسجيل كاسيت
74 microphone	ميكروفون
75 dual film-tape reproduction	نسخ بشريط تصوير فيلمي ثنائي المسلك

76 tape cassette	كاسيت الشريط
77 synchronization unit	وحدة التزامنة
78 cine projector	بروجكتور عرض سينمائي
79 film feed spool	بكرة إقحام الفيلم
80 take-up reel (take-up spool), an automatic take-up reel (take-up spool)	بكرة إلتقاط الفيلم، آلية إلتقاط الفيلم
81 sound projector	بروجكتور صوتي
82 sound film with magnetic stripe (sound track, track)	فيلم صوتي ذو شريط مغناطيسي
83 automatic-threading button	زرّ الضبط الآلي للصوره
84 trick button	زرّ ضبط الألوان الثلاثية
85 volume control	زرّ التحكم في درجة ارتفاع الصوت
86 reset button	زرّ إعادة ضبط الشريط
87 fast and slow motion switch	مفتاح العرض السريع والبطيء للشريط
88 forward, reverse, and still projection switch	مفتاح تقديم وعكس وتثبيت الفيلم
89 splicer for wet splices	جهاز جندل الشرائط
90 hinged clamping plate	لوحة قامة مفصليّة
91 film viewer (animated viewer editor)	جهاز مشاهدة الفيلم للمونتاج
92 foldaway reel arm	ذراع بكرة فرد الشريط
93 rewind handle (rewinder)	ذراع لف الشريط
94 viewing screen	شاشة المشاهدة
95 film perforator (film marker)	آلية تقطيع الفيلم
96 six-turntable film and sound cutting table (editing table, cutting bench, animated sound editor)	طاولة المونتاج
97 monitor	شاشة متابعة
98 control buttons (control well)	مفاتيح التحكم
99 film turntable	سوّاقه الفيلم
100 first sound turntable, e.g. for live sound	سوّاقه اسطوانات التسجيل الصوتي الأول، التسجيل الحي مثلا
101 second sound turntable for post-sync sound	سوّاقه اسطوانات التسجيل الصوتي الثاني لبعد ضبط التزامنة
102 film and tape synchronizing head	رأس مزامنة الصورة مع الصوت

ment window)	نافذة القبو الخارجية
4 outside cellar steps	نافذة غرفة المنافع
5 utility room window	باب غرفة المنافع
6 utility room door	الطابق الأرضي
7 ground floor (Am. first floor)	حائط من الطوب
8 brick wall	عتبة علوية للنافذة
9 lintel (window head)	المحيط البنائي حول النافذة
10 reveal	عمادة النافذة
11 jamb	عتبة سفلية (إفريز) للنافذة
12 window ledge (window sill)	عتبة علوية من الخرسانة المسلحة
13 reinforced concrete lintel	الطابق العلوي
14 upper floor (first floor, Am. second floor)	حائط من القوالب المفرّغة
15 hollow-block wall	أرضية خرسانية
16 concrete floor	منصة الشغل
17 work platform (working platform)	البناء
18 bricklayer (Am. brick-mason)	مساعد البناء
19 bricklayer's labourer (Am. laborer); also: builder's labourer	حوض الملاط
20 mortar trough	مدخنة
21 chimney	الأواح غطاء السلم
22 cover (boards) for the staircase	دعامة عمود المسقالة
23 scaffold pole (scaffold standard)	درازين المنصّعة
24 platform railing	تثبيت زاوية في المسقالة
25 angle brace (angle tie) in the scaffold	اللوح المستعرض للمسقالة
26 ledger	جسر
27 putlog (putlock)	منصة من الألواح الخشبية
28 plank platform (board platform)	لوح وقاية
29 guard board	وصلة منضّب المسقالة ذات سلسلة أو وثاق أو حبل أو رباط
30 scaffolding joint with chain or lashing or whip or bond	مرفاق إنشاء
31 builder's hoist	عامل/ مشغل الخلاط
32 mixer operator	خلاط الخرسانة
33 concrete mixer, a gravity mixer	برميل الخلط
34 mixing drum	قادوس التغذية
35 feeder skip	كثبانة خرسانية (رمل)
36 concrete aggregate [sand and gravel]	عربة يد ذات دولاب واحد
37 wheelbarrow	خراطوم
38 hose (hosepipe)	حوض الملاط
39 mortar pan (mortar trough, mortar tub)	رصعة من قوالب الطوب
40 stack of bricks	الأواح شدّة خرسانية
41 stacked shutter boards (lining boards)	مروصعة (الأواح تبطين)
42 ladder	سلم نقال
43 bag of cement	كيس أسمنت

118 Building Site (Construction Site) I	موقع البناء/الإنشاءات (I)
1-49 carcass (carcass, fabric) [house construction, carcassing]	هيكل إنشاء [هيكل منزل]
1 basement of tamped (rammed) concrete	قاعدة من الخرسانة المدكوكة
2 concrete base course	مدماك القاعدة الخرسانية
3 cellar window (base-	نافذة القبو

73 column box	صندوق العمود
74 bolted frame timber (bolted yoke)	دعامة رابطة بالمسامير الملوية
75 nut (thumb nut)	صامولة ربط
76 shutter board (shuttering board)	لوح الشدة الخرسانية
77-89 tools	أدوات
77 bending iron	قضيب الثني
78 adjustable service girder	عارضة خدمة قابلة للضبط
79 adjusting screw	لُؤبُ الضبط
80 round bar reinforcement	قضيب مسلح دائري المقطع
81 distance piece (separator, spacer)	قطعة مبادعة
82 Torsteel	فولاذ عالي المقاومة
83 concrete tamper	مُذَكّ الخرسانة
84 mould (<i>Am.</i> mold) for concrete test cubes	قالب مكعبات اختبار الخرسانة
85 concrete's tongs	ملقط/كلاية عامل الخرسانة
86 sheeting support	حامل ألواح الشدة الخرسانية
87 hand shears	مقص يدوي
88 immersion vibrator (concrete vibrator)	هُزّاز غاطسة (هُزّاز الخرسانة)
89 vibrating cylinder (vibrating head, vibrating poker)	أسطوانة هزّازة (رأس هزّاز)
120 Carpenter	النجّار
1-59 carpenter's yard	ساحة النجارة
1 stack of boards (planks)	رصّة من الألواح الخشبية
2 long timber (<i>Am.</i> lumber)	لُوح خشب طويل (عرق خشب)
3 sawing shed	هُنجر نشر الخشب
4 carpenter's workshop	متّورة
5 workshop door	باب المتّورة
6 handcart	عربة يدوية
7 roof truss	جملون السقف
8 tree [used for topping out ceremony] with wreath	شجرة ذات إكليل
9 timber wall	جدار خشبي
10 squared timber (building timber, scantlings)	خشب مربع المقطع (خشب بناء)
11 drawing floor	أرضية السحب
12 carpenter	النجّار
13 safety helmet	خوذة أمان
14 cross-cut saw, a chain saw	مُتّار قطع متعارض، مُتّار بسلسلة
15 chain guide	دليل السلسلة
16 saw chain	سلسلة المُتّار
17 mortiser (chain cutter)	أداة نقر/قطع
18 trestle (horse)	مُتّاب (حصان)
19 beam mounted on a trestle	كمرّة/عارضة فوق الحصان
20 set of carpenter's tools	طاقم عدّة النجّار
21 electric drill	مُتّاب كهربائي

44 site fence, a timber fence	سور الموقع، سور خشبي
45 signboard (billboard)	لافتة
46 removable gate	بوابة قابلة للإزالة
47 contractors' name plates	لُوح أسماء المقاولين
48 site hut (site office)	كنك الموقع (مكتب الموقع)
49 building site latrine	مرحاض موقع البناء
50-57 bricklayer's (<i>Am.</i> brickmason's) tools	أدوات البناّء
50 plumb bob (plummet)	خطّيط المطمار، الشاقول
51 thick lead pencil	قلم رصاص سميك
52 trowel	مائع، مسطّرين
53 bricklayer's (<i>Am.</i> brickmason's) hammer (brick hammer)	مطرقة البناّء
54 mallet	مطرقة خشبية الرأس
55 spirit level	ميزان تسوية
56 laying-on trowel	مسطّرين رص الطوب
57 float	لوح عجينة المونة
58-68 masonry bonds	أربطة البناّء
58 brick (standard brick)	قالب طوب عادي
59 stretching bond	رباط شتايوي
60 heading bond	رباط أدبيات
61 racking (raking) back	أدبة مخلوطة
62 English bond	رباط إنجليزي
63 stretching course	مُذمّك شتايوي
64 heading course	مُذمّك أدبيات
65 English cross bond (Saint Andrew's cross bond)	رباط الصليب الإنجليزي
66 chimney bond	رباط المدخنة
67 first course	المُذمّك الأول
68 second course	المُذمّك الثاني
69-82 excavation	الحفر
69 profile (<i>Am.</i> batter-board) [fixed on edge at the corner]	لوح عرضي [مثبت على حافة بالزاوية]
70 intersection of strings	تقاطع الحبال
71 plumb bob (plummet)	خطّيط المطمار، الشاقول
72 excavation side	جانب الحفر
73 upper edge board	لوح الحافة العلوية
74 lower edge board	لوح الحافة السفلية
75 foundation trench	خندق الأساس
76 navy (<i>Am.</i> excavator)	الحفّار
77 conveyor belt (conveyor)	سُور ناقل
78 excavated earth	تراب الحفّر
79 plank roadway	طريق مُعدّ بالألواح الخشبية
80 tree guard	وقاء الشجر
81 mechanical shovel (excavator)	مُجرّفة ميكانيكية (حفّارة)
82 shovel bucket (bucket)	قادوس المُجرّفة
83-91 plastering	التجصيص، البياض
83 plasterer	جصّاص
84 mortar trough	حوض الملاط
85 screen	غُرْبال
86-89 ladder scaffold	سقالة سلّمية
86 standard ladder	سلّم عادي
87 boards (planks, platform)	ألواح خشبية
88 diagonal strut (diagonal brace)	رباط/شكّال مائل
89 railing	حاجز، درابزين
90 guard netting	شبكة واقية
91 rope-pulley hoist	مرفاع ذو حبل وبكرة
119 Building Site (Construction Site) II	موقع البناء/الإنشاءات (2)
1-89 reinforced concrete (ferroconcrete) construction	إنشاءات الخرسانة المسلحة
1 reinforced concrete (ferroconcrete) skeleton construction	إنشاء هيكل من الخرسانة المسلحة
2 reinforced concrete (ferroconcrete) frame	إطار من الخرسانة المسلحة
3 inferior purlin	مُدّانة/رافدة (أفقية) سفلية
4 concrete purlin	مُدّانة أفقية خرسانية
5 ceiling joist	حائز السقف
6 arch (flank)	عُقد
7 rubble concrete wall	حائط خرسانة نثني
8 reinforced concrete (ferroconcrete) floor	أرضية خرسانية مسلحة
9 concrete (concretor), flattening out	عامل الخرسانة (يقوم بالتسوية)
10 projecting reinforcement (<i>Am.</i> connection rebars)	قضبان تسليح بارزة
11 column box	صندوق العمود
12 joist shuttering	شدة خرسانية ذات روافد
13 shuttering strut	عمود شدة خرسانية
14 diagonal bracing	رباط/شكّال مائل
15 wedge	خابور، إسفين
16 board	عارضة خشبية
17 sheet pile wall (sheet pile, sheet piling)	خوازيق ستارة
18 shutter boards (lining boards)	ألواح شدة خرسانية (الواح تطيين)
19 circular saw (buzz saw)	مُتّار دائري/قرصي
20 bending table	نضد ثني قضبان المسلح
21 bar bender (steel bender)	عامل ثني المسلح
22 hand steel shears	مقص صلب يدوي
23 reinforcing steel (reinforcement rods)	سبخ تسليح فولاذي
24 pumice concrete hollow block	قوالب مفرّغة من خرسانة الحجر الخفاف
25 partition wall, a timber wall	جدار فاصل، جدار خشبي
26 concrete aggregate [gravel and sand of various grades]	كثالة خرسانية [حصي ورمل مُتّارج]
27 crane track	مسار الوثش
28 tipping wagon (tipping truck)	عربة نقل قلابة
29 concrete mixer	خلّاط الأسمنت
30 cement silo	صوّمعة الأسمنت
31 tower crane (tower slewing crane)	مرفّاع بُرجي
32 bogie (<i>Am.</i> truck)	عربة نقل منخفضة
33 counterweight	ثقل موازن
34 tower	مرفّاع
35 crane driver's cabin (crane driver's cage)	كابينه سائق المرفّاع
36 jib (boom)	ذراع تطويل المرفّاع
37 bearer cable	كبل الحمل
38 concrete bucket	قادوس الخرسانة
39 sleepers (<i>Am.</i> ties)	فلنكات، أربطة
40 chock	إسفين لمنع الانزلاق/ للإيقاف
41 ramp	مُنحدر
42 wheelbarrow	عربة يد ذات دولاب واحد
43 safety rail	حاجز أمان
44 site hut	كنك الموقع
45 canteen	الكانتين
46 tubular steel scaffold (scaffolding)	سقالة أنابيب صلب
47 standard	عمود السقالة
48 ledger tube	اللوح المستعرض للسقالة
49 tie tube	أنبوبة ربط/شد
50 shoe	كعب، قاعدة (السقالة)
51 diagonal brace	رباط/شكّال مائل
52 planking (platform)	ألواح خشبية (مبضّة)
53 coupling (coupler)	قارئة، رباط
54-76 formwork (shuttering) and reinforcement	أعمال الشدة الخرسانية والتسليح
54 bottom shuttering (lining)	الشدة الخرسانية السفلية (بطانة)
55 side shutter of a purlin	اللوح الجانبي للحائز/الرافدة
56 cut-in bottom	قاعدة
57 cross beam	كمرّة مستعرضة
58 clamp iron (cramp, dog)	قامطة حديد
59 upright member, a standard	عمود قائم
60 strap	طوق، شبر
61 cross piece	كمرّة مستعرضة
62 stop fillet	عصاية، باكّة تلبيس
63 strut (brace, angle brace)	رباط، كتف، شكّال
64 frame timber (yoke)	دعامة رابطة (مقرّن)
65 strap	طوق، شبر
66 reinforcement binding	قضيب مسلح رابط
67 cross strut (strut)	رافدة مستعرضة
68 reinforcement	قضيب مسلح
69 distribution steel	قضيب توزيع
70 stirrup	ركاب، طوق
71 projecting reinforcement (<i>Am.</i> connection rebars)	قضبان تسليح بارزة
72 concrete (heavy concrete)	خرسانية (خرسانية ثقيلة)

board)	رباط شداد بسيط
49 simple tie	رباط شداد مزدوج
50 double tie	رافدة أفقية، مدادة
51 purlin	هيكل سقف ذو روافد أفقية
52 purlin roof structure with queen post	وقائم جملون ملكة
53 tie beam	عتبة رابطة
54 joist (ceiling joist)	جانز (جانز السقف)
55 principal rafter	رافدة سقف مائل رئيسية
56 common rafter	رافدة سقف مائل عادية
57 angle brace (angle tie)	رباط كتف زاوي
58 brace (strut)	رباط، كتف
59 ties	شادات، أربطة
60 hip (hipped) roof with purlin roof structure	سقف مَهْرَم ذو هيكل بروافد أفقية
61 jack rafter	رافدة سقف مائل جانبية قصيرة
62 hip rafter	رافدة سقف مائل سنامية
63 jack rafter	رافدة سقف مائل جانبية قصيرة
64 valley rafter	رافدة سقف مائل ركنية/زاوية
65 queen truss	قائم جملون ملكة
66 main beam	كمر رئيسي
67 summer (summer beam)	عتبة علوية
68 queen post (truss post)	قائم جملون/رئيسي
69 brace (strut)	رباط، كتف، شكل
70 collar beam (collar)	عتبة شدادة (شداد)
71 trimmer (Am. header)	أدبة، جانز طولاني
72 solid-web girder	رافدة ذات وتر مضمّنة
73 lower chord	وتر سفلي
74 upper chord	وتر علوي
75 boarding	لوح تغطية
76 purlin	رافدة أفقية
77 supporting outer wall	حائط الإشناد الخارجي
78 roof truss	جملون السقف
79 lower chord	وتر سفلي
80 upper chord	وتر علوي
81 post	عمود، دعامة
82 brace (strut)	رباط، كتف، شكل
83 support	مرتكز، دعامة، حامل
84-98 timber joints	وصلات خشبية
84 mortise (mortice) and tenon joint	وصلة تقرة ولسان
85 forked mortise (mortice) and tenon joint	وصلة تقرة ولسان متشعبة
86 halving (halved) joint	وصلة تمشيق نصف على نصف
87 simple scarf joint	وصلة تراكمية بسيطة
88 oblique scarf joint	وصلة تراكمية مائلة
89 dovetail halving	وصلة خنقارية نصفية
90 single skew notch	وصلة ذات ثلثة مائلة
91 double skew notch	وصلة ذات ثلعتين مائلتين
92 wooden nail	خابور خشبي
93 pin	ود
94 clout nail (clout)	مسّار مربع الرأس
95 wire nail	مسّار إبرة
96 hardwood wedges	أساقين من الخشب الصلب

22 dowel hole	ثقب الدّسار
23 mark for the dowel hole	علامة مَوْضِع ثقب الدّسار hole
24 beams	كَمَر، عوارض خشبية
25 post (stile, stud, quarter)	عمود، دعامة
26 corner brace	شداد/رباط الركن
27 brace (strut)	كتف/رباط شداد
28 base course (plinth)	مدماك القاعدة (بترذورة)
29 house wall (wall)	جدار المنزل، حائط المنزل
30 window opening	فتحة النافذة
31 reveal	المحيط البنائي حول النافذة
32 jamb	عضادة
33 window ledge (window sill)	عتبة سفلية للنافذة (مُلف)
34 cornice	كورنيش، إفريز
35 roundwood (round timber)	لوح خشبي دائري المقطع
36 floorboards	الواح تطبيق/الأرضية
37 hoisting rope	حبل الرفع
38 ceiling joist (ceiling beam, main beam)	علفة/كمر السقف (كمر السقف)
39 wall joist	رافدة/كمر الحائط
40 wall plate	لوح جداري
41 trimmer (trimmer joist, Am. header, header joist)	جانز طولاني ثخين، أدبة
42 dragon beam (dragon piece)	عتبة مدرعة (قطعة زاوية)
43 false floor (inserted floor)	أرضية زائفة
44 floor filling of breeze, loam, etc.	حشو الأرضية من الغضار الرطلي وخلافة
45 fillet (cleat)	شريحة خشبية (قبقاب ساند)
46 stair well (well)	بئر السلم
47 chimney	مدخنة
48 framed partition (framed wall)	فاصل/حاجز/جدار إيطاري
49 wall plate	لوح جداري
50 girt	عارضة صغيرة
51 window jamb, a jamb	عضادة نافذة
52 corner stile (corner strut, corner stud)	دعامة الركن، عمود الركن
53 principal post	الدعامة الرئيسية، العمود الرئيسي
54 brace (strut) with skew notch	رباط/كتف ذو تقرة مائلة
55 nogging piece	عارضة/قطعة تثبيت
56 sill rail	قضيب عتبة النافذة
57 window lintel (window head)	العتبة العلوية للنافذة
58 head (head rail)	رأس (قضيب علوي)
59 filled-in panel (bay, pan)	رقعة الحائط (فجسة بين عمودين)
60-82 carpenter's tools	أدوات النجار
60 hand saw	مِشّار يدوي
61 bucksaw	مِشّار قوس/عادي
62 saw blade	سلاح المِشّار
63 compass saw (keyhole)	مِشّار منحنيات

24 saw)	مِشّار
64 plane	فارة، مِشّاح
65 auger (gimlet)	مِشّاق برمية
66 screw clamp (cramp, holdfast)	قامطة بلولب
67 mallet	مطرقة ذات رأس خشبية
68 two-handed saw	مِشّار ذو مقبضين
69 try square	زاوية ضبط قائمة، زاوية المِشّار
70 broad axe (Am. broad-axe)	بِشّار عريضة الشفرة
71 chisel	إزميل
72 mortise axe (mortice axe, Am. mortise axe)	بِشّار تقرة
73 axe (Am. ax)	بِشّار
74 carpenter's hammer	مطرقة النّجار
75 claw head (nail claw)	رأس مخلي
76 folding rule	مسطرة قابلة للطي
77 carpenter's pencil	قلم رصاص
78 iron square	زاوية قائمة معدنية
79 drawknife (drawshave, drawing knife)	سكين جيّد (للخشط)
80 shaving	قشّارة
81 bevel	مِشّار زوايا
82 mitre square (Am. miter square, miter angle)	زاوية نصف قائمة، زاوية كوستا
83-96 building timber	خشب البناء
83 undressed timber (Am. rough lumber)	لوح خشب غير مُجَبَّز
84 heartwood (duramen)	خشب القلب (الجلب)
85 sapwood (sap, albumen)	خشب الشّع، خشب رَحْو
86 bark (rind)	لحاء، قشرة خارجية
87 baulk (balk)	كتلة خشبية
88 halved timber	لوح خشب مشطور
89 wane (waney edge)	حافة مشطوفة
90 quarter baulk (balk)	كتلة خشبية رباعية التقسيم
91 plank (board)	لوح خشبي
92 end-grained timber	خشب ذو قطع مستعرض/ذو جُزَع طُرقي
93 heartwood plank (heart plank)	لوح من خشب القلب
94 unsquared (untrimmed) plank (board)	لوح خشبي غير مُشَدَّب
95 squared (trimmed) board	لوح خشبي مُشَدَّب
96 slab (offcut)	لويحة خشب

6 dormer window (dormer)	شِبّاك رُوش (شِبّاك سَاف جملوني)
7 pent roof (shed roof, lean-to roof)	سَاف مَبني جانبي مائل
8 skylight	مَور
9 fire gable	جَمَلون حراري
10 hip (hipped) roof	سَاف مَسَمّ/مَهْرَم
11 hip end	طرف التهريم/التسليم
12 hip (arris)	حرف حاد (سَاف)
13 hip (hipped) dormer window	شِبّاك رُوش مَهْرَم
14 ridge turret	بُرْج سُرْجي السَاف
15 valley (roof valley)	زاوية تقابل سَافَيْن مائلين
16 hipped-gable roof (jerkin head roof)	سَاف مَسَمّ موشوري
17 partial-hip (partial-hipped) end	طرف مَسَمّ جزئيا
18 mansard roof (Am. gambrel roof)	سَاف سَدي مزدوج الخُدر
19 mansard dormer window	نافذة رُوش في سَاف سَدي
20 sawtooth roof	سَاف أَشْري/سَن مِشّار
21 north light	واجهة بحرية
22 broach roof	سَاف مَحْرَزي/بِروش
23 eyebrow	ظلة حاجبية
24 conical broach roof	سَاف مَحْرَزي قمعي
25 imperial dome (imperial roof)	قبة امبراطورية
26 weather vane	دَوّارة الريح
27-83 roof structures of timber	هياكل السَاف الخشبية
27 rafter roof	سَاف الرافدة
28 rafter	رافدة (سَاف مائل)
29 roof beam	كمر السَاف
30 diagonal tie (cross tie, sprocket piece, cocking piece)	رباط شداد مائل
31 aris fillet (tilting fillet)	شداد سوكة (شَرَحة قلابية)
32 outer wall	سطح خارجي
33 beam head	رأس الكمر/العتبة
34 collar beam roof (trussed rafter roof)	سَاف بعقب شداد
35 collar beam (collar)	عتب شداد (شداد)
36 rafter	رافدة (السَاف مائل)
37 strutted collar beam roof structure	هيكل سَاف شداد وقوائم انضغاط
38 collar beams	عتب شداد، شادات
39 purlin	رافدة أفقية، مدادة
40 post (stile, stud)	قائم
41 brace	رباط، كتف، شكل
42 unstrutted (king pin) roof structure	هيكل سَاف بقائم جملون ملك/بعضد جملوني رئيسي
43 ridge purlin	رافدة أفقية حرقية
44 inferior purlin	رافدة أفقية سفلية
45 rafter head (rafter end)	طرف رافدة السَاف المائل
46 purlin roof with queen post and pointing sill	سَاف ذو رافدة أفقية وجملون ملكة وعتبة مسننة
47 pointing sill	عتبة مسننة
48 ridge beam (ridge)	كمر حُرقي

27 mortar bed	فُرْشَة مَلَاطِيَة
28 concrete ceiling, a reinforced concrete slab	سَقْف خرساني
29 ground-floor (<i>Am.</i> first-floor) brick wall	جدار الطابق الأرضي المصنوع من الطوب
30 ramp	مُنْجِر
31 wedge-shaped step	طَبَقَة إسفينية الشكل
32 tread	ثَامَة الدَرَجَة
33 riser	قائمة الدَرَجَة
34-41 landing	صَدَفَة السَّلَام
34 landing beam	عَنْبَة الصَدَفَة
35 ribbed reinforced concrete floor	أرضية مَضْلَعَة من الخرسانة المسلّحة
36 rib	ضلع
37 steel-bar reinforcement	تقسيم مسلح من الصلب
38 subfloor (blind floor)	أرضية تحتانية
39 level layer	طبقة شوية
40 finishing layer	طبقة تنطيط
41 top layer (screed)	طبقة علوية
42-44 dog-legged staircase, a staircase without a well	سلالم ملتوية، سلالم بدون بئر
42 curtail step (bottom step)	الدَرَجَة السفلية
43 newel post (newel)	قائم الدَرَايزين
44 outer string (<i>Am.</i> outer stringer)	ركيزة خارجية
45 wall string (<i>Am.</i> wall stringer)	ركيزة جدارية
46 staircase bolt	مِسْمَار الدَرَج
47 tread	ثَامَة الدَرَجَة
48 riser	قائمة الدَرَجَة
49 wreath piece (wreathed string)	سَلْم ذو قلاب دائرية
50 balustrade	درايزين ببراق
51 baluster	بَرْمَق
52-62 intermediate landing	صَدَفَة سلالم متوسطة
52 wreath	لكيل الدرايزين
53 handrail (guard rail)	درايزين الدَرَج
54 head post	القائم الرئيسي
55 landing beam	عَنْبَة الصَدَفَة
56 lining board	لَوْح تبطين
57 fillet	شريحة خشبية
58 lightweight building board	لَوْح بناء خفيف الوزن
59 ceiling plaster	جِصّ السَقْف
60 wall plaster	جِصّ الحائط
61 false ceiling	سَقْف ظاهري غير حامل
62 strip flooring (overlay flooring, parquet strip)	أرضية من الألواح الخشبية، أرضية باركيه
63 skirting board (<i>Am.</i> mopboard, washboard, scrub board, base)	لَوْح إزار الحائط
64 beading	حُرّ إطراري
65 staircase window	نافذة السَلْم
66 main landing beam	عَنْبَة الصَدَفَة الرئيسية
67 fillet (cleat)	فُتْقَاب ساند
68-69 false ceiling	سَقْف ظاهري غير حامل

الأميني

corrugated asbestos cement roofing	سَقْف من الورق المشبع بالأسفلت
90 asphalt-impregnated paper roof	عرض [بمؤارة المزاب]
91 width [parallel to the gutter]	مِزَاب
92 gutter	حرف/ظهر السَقْف
93 ridge	موضع تلاقي لَوْحين
94 join	عرض [بزوايا قائمة من المِزَاب]
95 width [at right angles to the gutter]	مِسْمَار ليادي
96 felt nail (clout nail)	سَقْف مَمُوج من الأسمنت
97 corrugated asbestos cement roof	الأميني
98 corrugated sheet	لَوْح مَمُوج
99 ridge capping piece	قطعة تغطية حُرْف السَقْف
100 lap	طية تراكب
101 wood screw	مِسْمَار بريمي للخشب
102 rust-proof zinc cup	كأس زنك مقاوم للصدأ
103 lead washer	صامولة من الرصاص

123 Floor, Ceiling, Staircase Construction

1 basement wall, a concrete wall	حائط الأساس، جدار خرساني
2 footing (foundation)	أساس (قاعدة)
3 foundation base	قاعدة الأساس
4 damp course (damp-proof course)	طبقة صامدة للرطوبة
5 waterproofing	طبقة صامدة للماء
6 rendering coat	طبقة تجصيص
7 brick paving	تبليط بالطوب
8 sand bed	فُرْشَة رملية
9 ground	طبقة أساسية
10 shuttering	شدة الخرسانة
11 peg	وتد خابوري
12 hardcore	فُرْشَة صلدة
13 oversite concrete	خرسانة قاعدية
14 cement screed	طبقة علوية أسمنتية للتسوية
15 brickwork base	بناء قاعدي من الطوب
16 basement stairs, solid concrete stairs	دَرَجَات الطابق الأول
17 block step	قالب دَرَجَة السَلْم
18 curtail step (bottom step)	دَرَجَة السَلْم السفلية
19 top step	دَرَجَة السَلْم العلوية
20 nosing	بروز الأنف
21 skirting (skirting board, <i>Am.</i> mopboard, washboard, scrub board, base)	إزار الحائط
22 balustrade of metal bars	درايزين ببرمق من القضبان الصلبة
23 ground-floor (<i>Am.</i> first-floor) landing	صَدَفَة الطابق الأرضي
24 front door	الباب الأمامي
25 foot scraper	مِسْحَة الأرجل
26 flagstone paving	تبليط بالحجارة الصخرية

46 plain (plane) tile	بلاطة عادية
47 ridge course	مِمْسَاك حُرْفِي/ظَهْرِي
48 slip	شريحة مبيبة للتسمير
49 eaves course	مِمْسَاك الأفرز
50 plain-tiled roof	سَقْف من البلاط العادي
51 nib	طُرف بلاطة مُسَنَّ
52 ridge tile	قَرْمِيْدَة حُرْفِيَة/ظَهْرِيَة
53 pantiled roof	سَقْف قَرْمِيْدَة مَمُوج متراكب
54 pantile	قَرْمِيْدَة مَمُوجَة مَتْرَاكِيَة
55 pointing	تجميل البلاطات بالملاط أو المونة

56 Spanish-tiled roof (<i>Am.</i> mission-tiled roof)	سَقْف من البلاط الأسباني
57 under tile	بلاط تحتاني
58 over tile	بلاط فوقي
59 interlocking tile	بلاط تتعتيق
60 flat interlocking tile	بلاط تتعتيق مسطح
61-89 slate roof	السَقْف الإردوازي
61 roof boards (roof boarding, roof sheathing)	ألواح السَقْف الخشبية

وَرَق تسقيف للغزل، أيضا لباد السَقْف

62 roofing paper (sheathing paper); also: roofing felt (<i>Am.</i> rag felt)	سَلْم السَقْف
63 cat ladder (roof ladder)	عقافة، خُطَاف الظهر
64 coupling hook	مِمْسَاب السَقْف
65 ridge hook	حبل المِمْسَاب
66 roof trestle	عَقْدَة
67 trestle rope	خُطَاف السَلْم
68 knot	لَوْح البقالة
69 ladder hook	عامل تبليط
70 scaffold board	حقيبة المسامير
71 slater	مِمْسَاة الإردواز
72 nail bag	مِسْمَار إردواز، مِسْمَار إبرة مُجَلْفَن
73 slate hammer	حذاء عامل التبليط، حذاء لحائى أو من القَب
74 slate nail, a galvanized wire nail	مِمْسَاك الأفرز
75 slater's shoe, a bast or hemp shoe	إردواز الركن السفلي
76 eaves course (eaves joint)	مِمْسَاك السَقْف
77 corner bottom slate	مِمْسَاك حُرْفِي
78 roof course	إردواز الجَمَلُون
79 ridge course (ridge joint)	طُرف سفلي
80 gable slate	مِمْسَاك السَقْف
81 tail line	مِمْسَاك حُرْفِي
82 valley (roof valley)	إردواز الجَمَلُون
83 box gutter (trough gutter, parallel gutter)	مِمْسَاك حُرْفِي
84 slater's iron	حديدة عامل التبليط
85 slate	خِجَر إردواز
86 back	الظهر
87 head	الرأس
88 front edge	الحافة الأمامية
89 tail	الذيل

90-103 asphalt-impregnated paper roofing and	تسقيف بالورق المشبع بالأسفلت والتسقيف المموج بالأسمنت
--	---

97 clamp iron (timber dog, dog)	قَامِطَة حديدية (كَلَابِيَة)
98 bolt	مِسْمَار قلاوط (مَلُوب)
122 Roof and Roofer	السَقْف وَأَجْرَاء السَقْف
1 tiled roof	سَقْف قَرْمِيْدِي
2 plain-tile double-lap roofing	تسقيف مزدوج ببلاط عادي
3 ridge tile	قَرْمِيْدَة حُرْفِيَة
4 ridge course tile	قَرْمِيْدَة مِمْسَاك حُرْفِيَة
5 under-ridge tile	بلاط حُرْفِي
6 plain (plane) tile	بلاطة سَادَة (غير منقوشة)
7 ventilating tile	بلاطة تهوية
8 ridge tile	قَرْمِيْد حُرْفِي
9 hip tile	بلاطة سَنَم/تَهْرِيم
10 hipped end	طُرف مَسَم/مِهْرَم
11 valley (roof valley)	زَاوِيَة تَقَابَل سَقْفِيْن مَاتِلِيْن
12 skylight	مَنُور
13 chimney	مدخنة
14 chimney flashing, made of sheet zinc	خُشُوعَة واقية بالمِخْنَعَة من صفائح الزنك لِمَع التسرّب
15 ladder hook	خُطَاف السَلْم
16 snow guard bracket	كثيفة واقية الثلوج
17 battens (slating and tiling battens)	مُورِيْنَات
18 batten gauge (<i>Am.</i> gage)	مقياس المسافات بين الألواح
19 rafter	رَافِدَة (السَقْف مَاتِل)
20 tile hammer	مِمْسَاة بلاط
21 lath axe (<i>Am.</i> ax)	بَلْمَة اللُؤْيَحَات الخشبية
22 hod	حُوض نَقْل الطوب والملاط
23 hod hook	خُطَاف تثبت الحُوض
24 opening (hatch)	فتحة في السَقْف
25 gable (gable end)	مَقْص جَمَلُون
26 toothed lath	لَوْح خِشْبِي مَسَنَّ
27 soffit	بِطْنِيَة السَقْف
28 gutter	مِزَاب
29 rainwater pipe (down-pipe)	مَاسُورَة تصريف ماء المطر
30 swan's neck (swan-neck)	عنق إوزي
31 pipe clip	مِشْك تثبت ماسورة
32 gutter bracket	كثيفة المِزَاب
33 tile cutter	آلة قطع البلاط
34 scaffold	سِقَالَة
35 safety wall	جِدَار أَمَان
36 eaves	أفرز
37 outer wall	جِدَار خَارِجِي
38 exterior rendering	تجصيص خارجي
39 frost-resistant brick-work	بناء طوب مقاوم للصقيع
40 inferior purlin	رَافِدَة أفقية سفلية
41 rafter head (rafter end)	طُرف رَافِدَة (لسَقْف مَاتِل)
42 eaves fascia	وِاجِهَة الأفرز
43 double lath (tilting lath)	قَدَة مزدوجة (قَدَة قلابية)
44 insulating boards	ألواح عازلة
45-60 tiles and tile roofings	القَرْمِيْدَة/البلاط والأسقف القَرْمِيْدِيَة
45 split-tiled roof	سَقْف مُنْطَى ببلاط منْطُور

68 false floor (inserted floor)	أرضية زائفة
69 floor filling (plugging, pug)	حشو الأرضية
70 laths	قذات خشبية
71 lathing	تبطين خشبي
72 ceiling plaster	جص السقف
73 subfloor (blind floor)	أرضية بازيك من قوالب
74 parquet floor with tongued-and-grooved blocks	بحروز والسنة
75 quarter-newelled (Am. quarter-nueled) staircase	سلم ذو قائم درابزين ربع دائري
76 winding staircase (spiral staircase) with open newels (open-newel staircase)	سلم حلزوني ذو قائم درجي مفتوح
77 winding staircase (spiral staircase) with solid newels (solid-newel staircase)	سلم حلزوني ذو قائم درابزين مصمت
78 newel (solid newel)	قائم درابزين قائم
79 handrail	درابزين الدراج
124 Glazier	الرَّجَّاج
1 glazier's workshop	ورشة الرَّجَّاج
2 frame wood samples (frame samples)	عينات خشب البراويز (عينات براويز)
3 frame wood	خشب براويز
4 mitre joint (mitre, Am. miter joint, miter)	وصلة منطوية زاوية
5 sheet glass; kinds: window glass, frosted glass, patterned glass, crystal plate glass, thick glass, milk glass, laminated glass (safety glass, shatterproof glass)	رَّجَّاج صَفْحِي: أنواعه رَّجَّاج نوافذ، رَّجَّاج مصنفر، رَّجَّاج مقوالب رَّجَّاج، بلوري، رَّجَّاج سميك، رَّجَّاج لبني، رَّجَّاج رقائق (رَّجَّاج أمان)
6 cast glass; kinds: stained glass, ornamental glass, raw glass, bull's-eye glass, wired glass, line glass (lined glass)	رَّجَّاج مصبوب: أنواعه رَّجَّاج ملون، رَّجَّاج مزخرف، رَّجَّاج خام، رَّجَّاج عين الثور، رَّجَّاج سلكي، رَّجَّاج مَحْطَف
7 mitring (Am. mitering) machine	ماكينة شطب الرَّجَّاج
8 glassworker (e.g. building glazier, glazier, decorative glass worker)	عامل ورشة الرَّجَّاج (رَّجَّاج مبانِي، رَّجَّاج، عامل الزخرفة بالرَّجَّاج)
9 glass holder	حامل أنواع الرَّجَّاج
10 piece of broken glass	قطعة رَّجَّاج مكسور
11 lead hammer	مطرقة ذات رأس رصاص
12 lead knife	سكين ذات تصل من الرصاص
13 came (lead came)	كامة من الرصاص
14 leaded light	نافذة ذات إطار معدني من الرصاص

15 workbench	طاولة الشغل
16 pane of glass	لوح زجاجي
17 putty	معجون
18 glazier's hammer	مطرقة الرَّجَّاج
19 glass pliers	زردية زجاج
20 glazier's square	زاوية الرَّجَّاج
21 glazier's rule	مسطرة الرَّجَّاج
22 glazier's beam compass	فرجار ذو عاتق
23 eyelet	عروة
24 glazing sprig	مسنار الرَّجَّاج
25-26 glass cutters	قواطع الزجاج
25 diamond glass cutter	قاطع ماسي
26 steel-wheel (steel) glass cutter	قاطع ذو دولاب فولادي
27 putty knife	سكين المعجون
28 pin wire	سلك إبرة
29 panel pin	مسنار الواح
30 mitre (Am. miter) block (mitre box) [with saw]	قالب القطع المائل / الشطب [مع المششار]
31 mitre (Am. miter) shoot (mitre board)	لوح مشطوب

125 Plumber	السبَّاك
1 metal shears (tinner's snips, Am. tinner's shears)	مقص الصفيح
2 elbow snips (angle shears)	قراضة زاوية
3 gib	صفحة معدنية للثبيت
4 lapping plate	لوح تجليخ بالتحضين
5-7 propane soldering apparatus	جهاز اللحام بالبروبين
5 propane soldering iron, a hatchet iron	مكواة اللحام بالبروبين
6 soldering stone, a sal-ammoniac block	حجر اللحام
7 soldering fluid (flux)	صهور لحام
8 beading iron for forming reinforcement beading	أداة تحزيز لتشكيل حروز تقوية
9 angled reamer	مسحل/ مقوّر زاوي
10 workbench (bench)	طاولة الشغل
11 beam compass (trammel, Am. beam trammel)	فرجار ذو عاتق (فرجار القطع الناقص)
12 electric hand die	لقعة توليية يدوية كهربائية
13 hollow punch	سنيك أجوف
14 chamfering hammer	مطرقة شذف/ شطب
15 beading swage (beading hammer)	مطرقة تحزيز
16 abrasive-wheel cutting-off machine	ماكينة قص ذات عجلة تجليخ
17 plumber	سبَّاك
18 mallet	مطرقة خشبية
19 mandrel	ماسك العذة، شياق
20 socket (tinner's socket)	جنية
21 block	كتلة القاعدة
22 anvil	سدّان
23 stake	وند

24 circular saw (buzz saw)	مشّار دائري/ قرصي (مشّار أزان)
25 flanging, swaging, and wiring machine	ماكينة حف وتشكيل بالمرق وتقوية بالأسلاك
26 sheet shears (guillotine)	مقص الصفائح المعدنية
27 screw-cutting machine (thread-cutting machine, die stocks)	ماكينة قطع التواليب
28 pipe-bending machine (bending machine, pipe bender)	ماكينة ثني المواسير
29 welding transformer	محول اللحام
30 bending machine (rounding machine) for shaping funnels	ماكينة ثني لتشكيل الأقماع

126 Plumber, Gas Fitter, Heating Engineer	السبَّاك، عامل تركيب أجهزة الغاز، مهندّس السخانات
1 gas fitter and plumber	عامل تركيب أجهزة الغاز والسبَّاك
2 stepladder	سلم درجي
3 safety chain	سلسلة أمان
4 stop valve	محبس
5 gas meter	عداد الغاز
6 bracket	كتيفة
7 service riser	أنبوب الخدمة
8 distributing pipe	أنبوب/ ماسورة التوزيع
9 supply pipe	أنبوب الإمداد
10 pipe-cutting machine	ماكينة قطع المواسير
11 pipe repair stand	حامل إصلاح المواسير
12-25 gas and water appliances	الأجهزة الكهربائية الخاصة بالغاز والماء
12, 13 geyser an instantaneous water heater	سخان ماء يعمل بالغاز
12 gas water heater	سخان ماء يعمل بالكهرباء
13 electric water heater	سدنوق الطرد (السيفون)
14 toilet cistern	عوامة
15 float	جرس
16 bell	ماسورة اندفاع الماء
17 flush pipe	ذراع تشغيل سدنوق الطرد
18 water inlet	المنبج، ردياتور
19 flushing lever (lever)	ضلع المشب
20 radiator	نظام ذو أنبوبتين
21 radiator rib	أنبوب الدفق
22 two-pipe system	أنبوب استرجاع
23 flow pipe	سخان يعمل بالغاز
24 return pipe	تجهيزات السببابة
25 gas heater	مصنّدة
26-37 plumbing fixtures	صنوبر خلاط لأحواض الفسيل
26 trap (anti-syphon trap)	صنوبر دخول الماء
27 mixer tap (Am. mixing faucet) for washbasins	ذراع تشغيل سدنوق الطرد
28 hot tap	المنبج، ردياتور
29 cold tap	صنوبر الماء الساخن
30 extendible shower attachment	صنوبر الماء البارد
31 water tap (pillar tap) for washbasins	ذراع دش قابل للإطالة
	صنوبر ماء

Trades, Crafts, and Industry / مهن وحرف وصناعة	
32 spindle top	رأس دوراني
33 shield	غلاف واق
34 draw-off tap (Am. faucet)	حقيفة تفرغ
35 supatap	حقيفة
36 swivel tap	حقيفة دوارة
37 flushing valve	صمام الدفق
38-52 fittings	التركيبات
38 joint with male thread	وصلة ذات لولب خارجي
39 reducing socket (reducing coupler)	قارنة لولبية مصغرة
40 elbow screw joint (elbow coupling)	قارنة مرفقية
41 reducing socket (reducing coupler) with female thread	قارنة مصغرة ذات لولب داخلي
42 screw joint	وصلة لولبية
43 coupler (socket)	قارنة
44 T-joint (T-junction joint, tee)	وصلة ثائية
45 elbow screw joint with female thread	وصلة لولبية مرفقية ذات لولب داخلي
46 bend	كوع منحنى
47 T-joint (T-junction joint, tee) with female taper thread	وصلة ثائية ذات لولب داخلي مخروطي
48 ceiling joint	وصلة سقفية
49 reducing elbow	مرفق مصغر
50 cross	وصلة تصالبية
51 elbow joint with male thread	وصلة مرفقية ذات لولب خارجي
52 elbow joint	وصلة مرفقية
53-57 pipe supports	أجزاء تثبيت الأنابيب
53 saddle clip	مشبك سرّجي
54 spacing bracket	كتيفة مساعدة
55 plug	خابور
56 pipe clips	مشابك أنابيب
57 two-piece spacing clip	مشبك مساعدة من قطعتين
58-86 plumber's tools, gas fitter's tools	أدوات السبَّاك، أدوات عامل تركيب أجهزة الغاز
58 gas pliers	زردية مواسير الغاز
59 alligator wrench	مفتاح ربط تمساحي
60 combination cutting pliers	قراضة، زردية
61 water pump pliers	زردية فك وربط المواسير
62 flat-nose pliers	زردية مسطحة الطرف
63 nipple key	مفتاح حلّمي
64 round-nose pliers	زردية مستديرة الطرف
65 pinchers	كناشة
66 adjustable S-wrench	مفتاح ستلون قابل للتعديل
67 screw wrench	مفتاح إنجليزي
68 shifting spanner	مفتاح ربط انضباطي
69 screwdriver	مفك
70 compass saw (keyhole saw)	منشار منحنيات
71 hacksaw frame	إطار منشار المعادن
72 hand saw	منشار يدوي
73 soldering iron	مكواة لحام
74 blowlamp (blowtorch)	بورّي لحام

تركيب ورق الحائط

18-53 wallpapering

18 wallpaper (<i>kinds</i> : wood pulp paper, wood chip paper, fabric wall-hangings, synthetic wallpaper, metallic paper, natural (e.g. wood or cork) paper, tapestry wallpaper)	ورق حائط: أنواعه. ورق من لباب الخشب، ورق من نشأة الخشب، ورق نسيجي، ورق من الألياف الصناعية. ورق معنني. ورق طبيعي (خشب أو فلين أو كُتفاه)
19 length of wallpaper	طول ورق الحائط
20 butted paper edges	أطراف ورق مُصَفَّه تتأكبا
21 matching edge	طرف متطابق (مع الطرف الآخر)
22 non-matching edge	طرف غير متطابق
23 wallpaper paste	مغجون لصق ورق الحائط
24 heavy-duty paste	مغجون شديد التحمل
25 pasting machine	ماكينة المعجّنة
26 paste [for the pasting machine]	مغجون [لماكينة المعجّنة]
27 paste brush	فرشاة المعجون
28 emulsion paste	مغجون استحلالي
29 picture rail	إفريز الصورة
30 beading pins	مسامير زخرفة
31 pasteboard (paper-hanger's bench)	طاولة دهن الورق بالمعجون
32 gloss finish	غلاء تلميع للتشطيب
33 paperhanging kit	حقيبة أدوات تركيب ورق الحائط
34 shears (bull-nosed scissors)	مقص
35 filling knife	سكين معجون الحشو
36 seam roller	رول تسوية
37 hacking knife	سكين تخشين السطح
38 knife (trimming knife)	سكين (تشديب)
39 straightedge	مسطرة قويمه لاختبار الاستقامة
40 paperhanging brush	فرشاة تركيب ورق الحائط
41 wallpaper-cutting board	لوح تقطيع ورق الحائط
42 cutter	أداة قطع
43 trimmer	أداة تشذيب
44 plastic spatula	جاروف بلاستيكي
45 chalked string	خيط طباشيري
46 spreader	أداة الفرش والتوزيع
47 paper roller	رول الورق
48 flannel cloth	قماش (فطن)
49 dry brush	فرشاة جافة
50 ceiling paperhanger	أداة تركيب ورق السقف
51 overlap angle	زاوية متداخلة
52 paperhanger's trestles	سلم تركيب ورق الحائط
53 ceiling paper	ورق السقف
129 Painter	الصبّاع، النقاش
1 painting	الدهان، الطلاء
2 painter	نقاش. دهان
3 paintbrush	فرشاة الدهان
4 emulsion paint (emulsion)	دهان استحلالي

عامل تركيب ورق الحائط

إعداد الأسطح

1-17 preparation of surfaces

1 wallpaper-stripping liquid (stripper)	سائل نزع ورق الحائط
2 plaster (plaster of Paris)	لصوق (جبس باريس)
3 filler	حشو
4 glue size (size)	غراء
5 lining paper, a backing paper	ورق تطين، ورق تقوية
6 primer	بطانة، طلاء الطبقة الأساسية
7 fluate	مادة للتصميد للماء
8 shredded lining paper	ورق تطين مُفَطَّع
9 wallpaper-stripping machine (stripper)	ماكينة نزع ورق الحائط
10 scraper	مكشط يدوية
11 smoother	ممسحة
12 perforator	خزامة، أداة تخريم الورق
13 sandpaper block	كتلة ورق السنفرة
14 sandpaper	ورق سفرة
15 stripping knife	سكين تقشير
16 masking tape	شريط تغطية
17 strip of sheet metal [on which wallpaper is laid for cutting]	لوح معدني صفائحي [يوضع عليه الورق لقطعه]

للصدمات

49 tool case	صندوق العدة
50 round-nose pliers	زردنية ذات طرف مستدير
51 cutting pliers	قراضة
52 junior hacksaw	مشار (معدان) صغير
53 combination cutting pliers	زردنية قطع، قراضة
54 insulated handle	مقبض معزول
55 continuity tester	جهاز اختبار استمرار الدائرة الكهربائية
56 electric light bulb (general service lamp, filament lamp)	مصباح كهربوي (مصباح بغتيلة)
57 glass bulb (bulb)	بصيلة المصباح الكهربوي
58 coiled-coil filament	فيلة ملفوفة (ملففة)
59 screw base	قاعدة اللولبية
60 lampholder	دواة المصباح
61 fluorescent tube	مصباح فلوري
62 bracket for fluorescent tubes	كفب تثبيت المصابيح الفلورية
63 electrician's knife	سكين الكهربائي
64 wire strippers	زردنية تعرية الأسلاك
65 bayonet fitting	دواة مصباح بمسمارين
66 three-pin socket with switch	مقبس ثلاثة تقوب مزود بمفتاح كهربوي
67 three-pin plug	قابس ثلاثي المسامير
68 fuse carrier with fuse wire	حامل فيوز مزود بسلك فيوزي
69 light bulb with bayonet fitting	مصباح كهربوي ذو وصلة سننة (بمسمارين)

128 Paperhanger

[لضبط وهج المصباح]

20 resetting button	زر الضبط
21 set screw [for fuses and miniature circuit breakers]	لؤلب ضبط [للفيوزات وقواطع التيار الصغيرة]
22 underfloor mounting (underfloor sockets)	تركيب المقابس تحت الأرضية
23 hinged floor socket for power lines and communication lines	مقبس أرضي مفصلي لخطوط الكهرباء والاتصالات
24 sunken floor socket with hinged lid (snap lid)	مقبس أرضي غاطس ذو غطاء مفصلي
25 surface-mounted socket outlet (plug point) box	علبة مخرّج المقبس من النوع المغنث على الجدار
26 pocket torch, a torch (Am. flashlight)	مصباح بطارية جيب
27 dry cell battery	بطارية خلية جافة
28 contact spring	نابض التماس
29 strip of thermoplastic connectors	شريط من الوصلات اللدنة بالحرارة
30 steel draw-in wire (draw wire) with threading key, and ring attached	سلك صلب للسحب ذو مفتاح ملؤلّب وحلقة
31 electricity meter cupboard	صندوق عدّاد الكهرباء
32 electricity meter	عدّاد الكهرباء
33 miniature circuit breakers (miniature circuit breaker consumer unit)	قاطع تيار صغير
34 insulating tape (Am. friction tape)	شريط عازل
35 fuse holder	حامل الصمام (الفيوز)
36 circuit breaker (fuse), a fuse cartridge with fusible element	قاطع تيار، فيوز ذو عنصر قابل للانصهار
37 colour (Am. color) indicator [showing current rating]	مؤشر لوني [يبين معدّل التيار]
38-39 contact maker	وصلة التلامس
40 cable clip	مشبك تثبيت الكابل
41 universal test meter (multiple meter for measuring current and voltage)	عدّاد اختبار للأغراض العامة (عدّاد قياس التيار والفولطية)
42 thermoplastic moisture-proof cable	كابل لدن مقاوم للرطوبة
43 copper conductor	موصّل نحاسي
44 three-core cable	كابل ذو ثلاثة قلوب
45 electric soldering iron	شبكة لحام كهربوية
46 screwdriver	مفك
47 water pump pliers	زردنية فك وربط الأنابيب
48 shock-resisting safety	خوذة أمان مقاومة

[for soldering]	شريط مانع للتسرب
75 sealing tape	سبيكة لحام من القصدير
76 tin-lead solder	والرصاص
77 club hammer	مطرقة قصيرة اليد
78 hammer	شاكوش
79 spirit level	ميزان تسوية
80 steel-leg vice (Am. vise)	ملزّمة بقدم فولاذية
81 pipe vice (Am. vise)	ملزّمة المواسير
82 pipe-bending machine	ماكينة ثني المواسير
83 former (template)	أداة تشكيل (قالب)
84 pipe cutter	قاطعة المواسير
85 hand die	لقعة يدوية
86 screw-cutting machine (thread-cutting machine)	ماكينة قطع اللولب
127 Electrician	الكهربائي
1 electrician (electrical fitter, wireman)	الكهربائي
2 bell push (doorbell) for low-voltage safety current	جرس باب انضغاطي يعمل بتيار أمان منخفض الفولطية
3 house telephone with call button	هاتف منزلي ذو زر بداء
4 [flush-mounted] rocker switch	مفتاح كهربائي ممرّج [مركب تساطحياً]
5 [flush-mounted] earthed socket (wall socket, plug point, Am. wall outlet, convenience outlet, outlet)	مقبس مؤرّض [مركب تساطحياً] (مقبس جداري، مخرّج تيار)
6 [surface-mounted] earthed double socket (double wall socket, double plug point, Am. double wall outlet, double convenience outlet, double outlet)	مقبس مزدوج مؤرّض [مغنث فوق الجدار] (مقبس جداري مزدوج، مخرّج تيار مزدوج)
7 switched socket (switch and socket)	مقبس ذو مفتاح كهربوي
8 four-socket (four-way) adapter	مهايئ ذو أربعة مقابس
9 earthed plug	قابس مؤرّض
10 extension lead (Am. extension cord)	وصلة تمديد، سلك تمديد
11 extension plug	قابس وصلة التمديد
12 extension socket	مقبس وصلة التمديد
13 surface-mounted three-pole earthed socket [for three-phase circuit] with neutral conductor	مقبس مؤرّض ثلاثي الأقطاب ذو موصل متعادل يثب فوق الجدار
14 three-phase plug	قابس ثلاثي الأطوار
15 electric bell (electric buzzer)	جرس كهربوي
16 pull-switch (cord-operated wall switch)	مفتاح يعمل بجذب السلك
17 dimmer switch [for	مفتاح تخفيف شدة الإضاءة

8 mortise (mortice) chisel	أزميل نقر
9 gouge	أزميل مقعر، مبطّاف
10 handle	مقبض
11 framing chisel (cant chisel)	أزميل نقر (أزميل منطوف الحافة)
12 glue pot in water bath	مغرة في حمام مائي
13 glue pot (glue well), an insert for joiner's glue	مغرة
14 handscrew	قائمة يدوية
15-28 planes	المساحيج/ الفارات
15 smoothing plane	منسّاح/ فارة تلميس
16 jack plane	منسّاح/ فارة تخشين
17 toothing plane	منسّاح/ فارة تسنين
18 handle (toat)	مقبض
19 wedge	إسفين
20 plane iron (cutter)	سلاح المينسّاح/ الفارة
21 mouth	فوهة
22 sole	قاعدة، نعل
23 side	جانِب
24 stock (body)	كتلة (جسم)
25 rebate (rabbet) plane	منسّاح / فارة افتراز
26 router plane (old woman's tooth)	منسّاح تخديد جناح
27 spokeshave	منسّاح تقدير/ تسنيم ذو مقبضين
28 compass plane	منسّاح/ فارة منحنيات
29-37 woodworker's bench	طاولة عامل الخشب/ النجار
29 foot	قاعدة
30 front vice (<i>Am. vise</i>)	ملزمة أمامية
31 vice (<i>Am. vise</i>) handle	ذراع المِلزمة
32 vice (<i>Am. vise</i>) screw	لُوب المِلزمة
33 jaw	فك المِلزمة
34 bench top	سطح الطاولة
35 well	بئر
36 bench stop (bench holdfast)	محدد الطاولة
37 tail vice (<i>Am. vise</i>)	مِلزمة خلفية
38 cabinet maker (joiner)	نجار الدواليب
39 trying plane	منسّاح/ فارة تنوية
40 shavings	شُفارة، برابة
41 wood screw	برغي خشب
42 saw set	مُطلّجة مناشير
43 mitre (<i>Am. miter</i>) box	مُتّوق القطع المائل
44 tenon saw	منشار تسنين
45 thicknesser (thicknessing machine)	ماكينة تثخين
46 thicknessing table with rollers	طاولة تثخين ذات اسطينيات
47 kick-back guard	واقى الارتداد
48 chip-extractor opening	فتحة طرد النحانة
49 chain mortising machine (chain mortiser)	ماكينة نقر ذات بسلسلة
50 endless mortising chain	سلسلة ماكينة نقر متصلة
51 clamp (work clamp)	قائمة، ملزمة
52 knot hole moulding (<i>Am. molding</i>) machine	ماكينة تشكيل الأفاريز والجلي المقنية
53 knot hole cutter	سكينية الثقوب الأنشوطية

دولفين من جلد الغنم
معرفة لاختبار درجة اللزوجة
وعاء قياس المقيس/مُجَلّ التصليد

الفراء
مذبغة ومصنع الملابس
الفرائية

الفراء، دباغ الملابس
الفرائية
مُنسّس رش البخار
مِكْوَة بخارية
ماكينة الضرب
ماكينة تقطع جلود الفراء
جلد فراء لم يقطع بعد
قطع مطوّلة من الفراء
عاملة حياكة الملابس
الفرائية
ماكينة حياكة الفراء
مرّوحة نفع قطع الفراء
جلود الفراء
جلد حيوان المَبَك
جانِب فرائي
جانِب جلدي
فراء مُقطّع
جلد حيوان الوُشَق قبل تقطيعه وتطويه
قطع مطوّلة من جلد حيوان الوُشَق
الجانِب الفرائي
الجانِب الجلدي
قطع مطوّلة من جلد حيوان فراء الوُشَق مُحَاك معاً
جلد حَمَل الفُرْكُول
دبابيس الفراء
عاملة حياكة الملابس
الفرائية
مُعطف من فراء المَك
مُعطف من فراء الأُنطوت

نِجَار الأثانَات (1)
ورشة نِجَار الأثانَات
أدوات نِجَار الأثانَات

ميرد خشب مُخَيَّب القطعية
ميرد خشب
منشار منحنيات (منشار تقريع الثقوب)
مقبض المنشار
مطرقة [مربعة الرأس]
زاوية ضبط قائمة، زاوية النِجَار
الأزاميل
أزميل ذو حافة منطوفة

31 lambskin roller
32 ladle for testing viscosity
33 measuring vessel for hardener

131 Furrier
1-25 furrier's workroom

1 furrier
2 steam spray gun
3 steam iron
4 beating machine
5 cutting machine for letting out furskins
6 uncut furskin
7 let-out strips (let-out sections)
8 fur worker
9 fur-sewing machine
10 blower for letting out
11-21 furskins
11 mink skin
12 fur side
13 leather side
14 cut furskin
15 lynx skin before letting out
16 let-out lynx skin
17 fur side
18 leather side
19 let-out mink skin
20 lynx fur, sewn together (sewn)
21 broadtail
22 fur marker
23 fur worker
24 mink coat
25 ocelot coat

132 Joiner I
1-73 joiner's workshop
1-28 joiner's tools

1 wood rasp
2 wood file
3 compass saw (keyhole saw)
4 saw handle
5 [square-headed] mallet
6 try square
7-11 chisels
7 bevelled-edge chisel (chisel)

رِسْم تمهيدي
تَكَاة الرّسام
تجفيف بالذورور
كيس الذورور
وسادة عامل الطلاء بالذهب
سكين عامل الطلاء بالذهب
مُعالِجَة وِرَق الذهب بمادة غروية
ملء الحروف بطلاء مِرَقَط
مِكْنَسَة عامل الطلاء بالذهب

مُهَنْدِس تَصْنِيع
البراميل الخشبية
والخزانات

ورشة مهندس تصنيع البراميل الخشبية
والخزانات
خَزَان، صهرج
جدار خارجي مصنوع من الشرائح الخشبية
قَصْب حديد
شَدَاة، سُكَاك مَلْوَلِب
برميل (برميل خشبي)
جسم البرميل
ثقب البرميل
طُوق البرميل
شريحة خشبية
رأس البرميل
صانع البراميل الخشبية
ماكينة تثبيت أطواق البرميل
أُسْطُوَانَة البرميل
حَمَلِج اللحم بالغاز
خَوْص صيغ مصنوع من اللدائن الحرارية
شرائط تقوية مصنوعة من الحديد
حاوية تخزين مصنوعة من الراتنج المقوّى بالألياف الزجاجية
فتحة الدخول
غطاء فتحة دخول ذو عجلة يدوية
شَقَّة تركيب
مِحْبَس شَقَّة
خَزَان قياس
جدار، غلاف
حلقة انكماشية
مُنسّس الهواء الساخن
دولفين من الراتنج الصناعي المقوّى بألياف زجاجية

مُهَنْدِس تَصْنِيع
البراميل الخشبية
والخزانات

ورشة مهندس تصنيع البراميل الخشبية
والخزانات
خَزَان، صهرج
جدار خارجي مصنوع من الشرائح الخشبية
قَصْب حديد
شَدَاة، سُكَاك مَلْوَلِب
برميل (برميل خشبي)
جسم البرميل
ثقب البرميل
طُوق البرميل
شريحة خشبية
رأس البرميل
صانع البراميل الخشبية
ماكينة تثبيت أطواق البرميل
أُسْطُوَانَة البرميل
حَمَلِج اللحم بالغاز
خَوْص صيغ مصنوع من اللدائن الحرارية
شرائط تقوية مصنوعة من الحديد
حاوية تخزين مصنوعة من الراتنج المقوّى بالألياف الزجاجية
فتحة الدخول
غطاء فتحة دخول ذو عجلة يدوية
شَقَّة تركيب
مِحْبَس شَقَّة
خَزَان قياس
جدار، غلاف
حلقة انكماشية
مُنسّس الهواء الساخن
دولفين من الراتنج الصناعي المقوّى بألياف زجاجية
أُسْطُوَانَة
شَقَّة
قماش زجاجي
دولفين مُخَدَّد

5 stepladder	سُلّم دَرَجِي
6 can (tin) of paint	صفحة الدهان/الطلاء
7-8 cans (tins) of paint	صفائح الدهان/الطلاء
7 can (tin) with fixed handle	صفحة ذات مَقْبِض ثابت
8 paint kettle	سِنطَل الطلاء
9 drum of paint	برميل طلاء
10 paint bucket	دَلُو طلاء
11 paint roller	رول الدهن
12 grill [for removing excess paint from the roller]	جريل [شبكة مُصْبَعَة لإزالة الطلاء الزائد من الرول]
13 stippling roller	رول ترقيط الطلاء
14 varnishing	الوَرَشَة، الدهان بالورنيش
15 oil-painted dado	جزء سفلي من الجدار مدهون بالزيت
16 canister for thinner	عَلْبَة التَنْر (مادة مُرَقَّعة للقوقام)
17 flat brush for larger surfaces (flat wall brush)	فُرْشَاة مستوية للأسطح الكبيرة المستوية
18 stippler	فُرْشَاة الدهان المُرَقَط
19 fitch	فُرْشَاة شعر
20 cutting-in brush	فُرْشَاة مزج
21 radiator brush (flay brush)	فُرْشَاة طلاء المُشْبَعَات/ كشط
22 paint scraper	مُكْشَطَة طلاء
23 scraper	مُكْشَطَة يدوية
24 putty knife	سِكِّين مَخْبِئَة/ المَعْجُون
25 sandpaper	وِرَق سفرة
26 sandpaper block	كتلة وِرَق السفرة
27 floor brush	فُرْشَاة للأرضية
28 sanding and spraying	السفرة والرش
29 grinder	جَلَاخَة
30 sander	ماكينة سفرة
31 pressure pot	وعاء ضغط
32 spray gun	مسدس رش
33 compressor (air compressor)	ضامط هواء
34 flow coating machine for flow coating radiators, etc.	ماكينة طلي معدني لطلاء المشبّعات، الخ.
35 hand spray	رشاش يدوي
36 airless spray unit	وحدة رش تعمل بدون هواء مضغوط
37 airless spray gun	مسدس رش يعمل بدون هواء مضغوط
38 efflux viscometer	مقياس درجة اللزوجة
39 seconds timer	جهاز توقيت ثواني
40 lettering and gilding	نقش الحروف والكتسية بقشرة ذهب
41 lettering brush (sign-writing brush, pencil)	ريشة كتابة الحروف (قلم)
42 tracing wheel	عجلة استشفاف
43 stencil knife	سكين استنسل
44 oil gold size	مادة غروية من الذهب الزيتي
45 gold leaf	ورقة ذهب

electric drill	مِبْشَار دائري أَرَاوُز ومِبْشَار شريطي معاً
50 combined circular saw (buzz saw) and band-saw	مِبْشَارَة الخشب
51 wood-turning lathe	مِبْشَار دائري
52 circular saw attachment	مَأْكِيَة سفرة مدارية
53 orbital sanding attachment (orbital sander)	حامل المَقْبَع
54 drill stand	مَأْكِيَة تهذيب السَّيَاح
55 hedge-trimming attachment (hedge trimmer)	مَسْدَس لحام
56 soldering gun	مِكْوَاة لحام
57 soldering iron	مِكْوَاة لحام عالية السرعة
58 high-speed soldering iron	التنجيد، تنجيد كرسي ذي ذراعين
59 upholstery, upholstering an armchair	قماش تنجيد
60 fabric (material) for upholstery	شخص يقوم بإصلاح الشيء بنفسه (دون الحاجة إلى اختصاصي)
61 do-it-yourself enthusiast	
135 Turner	الخَرَّاط
1-26 turnery (turner's workshop)	وَرشَة خراطة
1 wood-turning lathe (lathe)	مِبْشَارَة الخشب
2 lathe bed	فرشة المِبْشَارَة
3 starting resistance (starting resistor)	مقاومة البدء
4 gearbox	علبة تروس السرعة
5 tool rest	مسند قلم المِبْشَارَة
6 chuck	طَرْف
7 tailstock	غراب متحرك، غراب الذيل
8 centre (Am. center)	ذَنبَة المِبْشَارَة
9 driving plate with pin	قُرْص التدوير
10 two-jaw chuck	طرف ذو فكين
11 live centre (Am. center)	ذنب دورانية
12 fretsaw	مِبْشَار متحنيات / زخرفة
13 fretsaw blade	نصل مِبْشَار المتحنيات/ الزخرفة
14, 15, 24 turning tools	أدوات الخَرَّاط
14 thread chaser, for cutting threads in wood	مِبْشَار لولبية
15 gouge, for rough turning	مِغْفَار/أرْمِيل مِغْفَر للخَرَّاط الخشن
16 spoon bit (shell bit)	لقمة حفر مَعْلِقِيَة التجويف
17 hollowing tool	أداة تجويف
18 outside calliper (caliper)	فرجار قياس خارجي
19 turned work (turned wood)	قطعة خشب مخروطية
20 master turner (turner)	رئيس الخَرَّاطين
21 [piece of] rough wood	قطعة خشب خشنة
22 drill	مَقْبَاح
23 inside calliper (caliper)	فرجار قياس داخلي
24 parting tool	قلم قَطْعِيَة
25 glass paper (sandpaper, emery paper)	ورق سفرة

54 quick-action chuck	طرف لَقْم المَقْبَع
55 hand lever	عتلة يدوية
56 change-gear handle	ذراع تبديل السرعة
57 sizing and edging machine	مَأْكِيَة تطفيغ ومعايرة المقاس
58 main switch	مِفْتَاح التشغيل الرَّأسي
59 circular-saw (buzz saw) blade	نصل مِبْشَار دائري أَرَاوُز
60 height (rise and fall) adjustment wheel	عَجَلَة ضبط الارتفاع
61 V-way	مَجْرَى مَقْبَع المَقْلَع
62 framing table	طاولة تشكيل الإطارات/الراويز
63 extension arm (arm)	ذراع استطالة
64 trimming table	طاولة التهذيب
65 fence	حاجز، مصد
66 fence adjustment handle	ذراع ضبط الحاجز
67 clamp lever	ذراع تثبيت
68 board-sawing machine	مَأْكِيَة نشر الألواح الخشبية
69 swivel motor	موتور دوَّار
70 board support	حامل اللوح الخشبي
71 saw carriage	حاضنة المِبْشَار
72 pedal for raising the transport rollers	دواسة رفع أسطوانات نظام النقل
73 blockboard	كتلة اللوح الخشبي
133 Joiner II	نَجَّار الأثاث (2)
1 veneer-peeling machine (peeling machine, peeler)	مَأْكِيَة تقشير الخشب
2 veneer	قشرة خشبية
3 veneer-splicing machine	مَأْكِيَة جَذَل القشور الخشبية
4 nylon-thread cop	كَبْة غزل الخيط النيلون
5 sewing machine	أَلِيَة الخياطة
6 dowel hole boring machine (dowel hole borer)	مَأْكِيَة ثقب فجوات الدَّسَار
7 boring motor with hollow-shaft boring bit	موتور ثقب مزود بمِقْبَاح حفر له عمود أَوَّج
8 clamp handle	ذراع القَابِطَة/المِزْمَة
9 clamp	قَابِطَة، مِزْمَة
10 clamping shoe	حذاء قلم/تثبيت
11 stop bar	حاجز
12 edge sander (edge-sanding machine)	مَأْكِيَة سفرة للحواف
13 tension roller with extension arm	أَسْطُوَانَة شد ذات ذراع امتدادي
14 sanding belt regulator (regulating handle)	مَنْظَم سِير السفرة
15 endless sanding belt (sand belt)	سِير سفرة متصل
16 belt-tensioning lever	ذراع شد السِير
17 canting table (tilting table)	طاولة إمالة
18 belt roller	أَسْطُوَانَة السِير
19 angling fence for mitres (Am. miters)	حاجز تَرْوِيَة للأسطح المَشْطُوبَة الزَّوِيَة
20 opening dust hood	حَاوِيَة نشارة مفتوحة
21 rise adjustment of the table	أَلِيَة ضبط ارتفاع الطاولة
22 rise adjustment wheel for the table	عَجَلَة ضبط ارتفاع الطاولة
23 clamping screw for the table rise adjustment	برغي تثبيت أَلِيَة ضبط ارتفاع الطاولة
24 console	كوسول
25 foot of the machine	قاعدة المَأْكِيَة
26 edge-veneering machine	مَأْكِيَة تَكْسِيَة الحواف
27 sanding wheel	عَجَلَة السفرة
28 sanding dust extractor	أَلِيَة طرد نشارة السفرة
29 splicing head	رأس الجَذَل/القرن بالترابك
30 single-belt sanding machine (single-belt sander)	مَأْكِيَة سفرة ذات سِير واحد
31 belt guard	وقاء السِير
32 band wheel cover	غطاء بكرة السِير
33 extractor fan (exhaust fan)	مِرْوَحَة طاردة
34 frame-sanding pad	مسند السفرة للراويز/للإطارات
35 sanding table	طاولة السفرة
36 fine adjustment	أَلِيَة الضبط الدقيق
37 fine cutter and jointer	جهاز القَطْع والجَذَل الدقيق
38 saw carriage with chain drive	حامل المِبْشَار ذو إدارة بسلسلة
39 trailing cable hanger (trailing cable support)	حامل الكبل الخلفي
40 air extractor pipe	أَنْبُوب طرد الهواء
41 rail	قضيب، درابزين
42 frame-clamping (frame-clamping) machine	مَأْكِيَة قَطْم الإطارات
43 frame stand	حامل الإطار
44 workpiece, a window frame	قطعة الشغل، إطار نافذة
45 compressed-air line	خط هواء مضغوط
46 pressure cylinder	أَسْطُوَانَة الضغط
47 pressure foot	قاعدة أَسْطُوَانَة الضغط
48 frame-mounting device	جهاز تثبيت الإطار
49 rapid-veneer press	مكبس التكبسة بالقشور
50 bed	فَرْشَة، سرير
51 press	مكبس
52 pressure piston	كَبَّاس ضغط
134 Do-it-yourself	مُعَدَّات الإصلاحات المَبْرُئِيَة
1-34 tool cupboard (tool cabinet) for do-it-yourself work	خَزَانَة أدوات الأصنع الشيء بنفسك (دون الحاجة إلى أخصائي)
1 smoothing plane	مِسْحَاح تلميس/تنعيم
2 set of fork spanners (set of wrenches, open-end wrenches)	طاقم من مفاتيح الربط المَشْطُوبَة
3 hacksaw	مِبْشَار معادن
4 screwdriver	مفك
5 cross-point screwdriver	مفك ذو طَرْف متصالب
6 saw rasp	مِبْرَد شحذ مناشير مَقْبَع القطعية
7 hammer	مطرقة، شاكوش
8 wood rasp	مِبْرَد خشب
9 roughing file	مِبْرَد تخشين
10 small vice (Am. vise)	مِزْمَة صغيرة
11 corner pipe wrench	مِفْتَاح ربط الأنابيب
12 water pump pliers	زردية ربط المواسير
13 pincers	كَبَّاشَة
14 all-purpose wrench	مِفْتَاح ربط لجميع الأغراض
15 wire stripper and cutter	بَشَّة تعرية الأسلاك المعزولة وقطعها
16 electric drill	مِقْبَاح (مَشْطُور) كهربائي
17 hacksaw	مِبْشَار معادن
18 plaster cup	سَطْل عجن الجبس
19 soldering iron	مِكْوَاة لحام
20 tin-lead solder wire	سلك لحام مصنوع من القصدير والرصاص
21 lamb's wool polishing bonnet	خِرْقَة تلميع مصنوعة من صوف الأغنام
22 rubber backing disc (disk)	قُرْص اسناد مطاطي
23 grinding wheel	عجلة تجليخ
24 wire wheel brush	فرشاة سلك دو لولبية الشكل
25 sanding discs (disks)	أقراص سفرة
26 try square	زَّوِيَة ضبط قائمة، زَّوِيَة النجَّار
27 hand saw	مِبْشَار يدوي
28 universal cutter	أداة قطع عامة
29 spirit level	ميزان تسوية
30 firmer chisel	أرْمِيل قطع بالثق
31 centre (Am. center) punch	سَبْك تعليم المركز
32 nail punch	سَبْك المسامير
33 folding rule (rule)	مِسْطَرَة قابلة للطي
34 storage box for small parts	صَنْدُوق حفظ القطع الصغيرة
35 tool box	صَنْدُوق الأَدَة
36 woodworking adhesive	غراء المصنوعات الخشبية
37 stripping knife	سكين تقشير
38 adhesive tape	شريط لاصق
39 storage box with compartments for nails, screws, and plugs	صَنْدُوق حفظ وتخزين له حجيرات للمسامير والبُرَاقِي والسدادات
40 machinist's hammer	شاكوش
41 collapsible workbench (collapsible bench)	طاولة شغل قابلة للطي
42 jig	دليل تشغيل
43 electric percussion drill (electric hammer drill)	مَقْبَع حفر بالثق يعمل بالكهرباء
44 pistol grip	قبضة مَسْدَس
45 side grip	مقبض جانبي
46 gearshift switch	مِفْتَاح تبديل السرعة
47 handle with depth gauge (Am. gage)	ذراع ذو معيار للعمق
48 chuck	طرف لَقْم المَقْبَع
49 twist bit (twist drill)	لقمة حفر حلزونية
50-55 attachments for an	ملحقات للمَقْبَع الكهربائي

with grid hearth for annealing of round stock	ذو مجمرّة شبكية لتضهير الخام
2 discharge opening (discharge door)	فتحة تفرغ الخامات المسننة
3 gas burners	موقد الغاز
4 charging door	بوابة شحن الخامات اليازرية
5 counterblow hammer	مطرقة ضربات متضادة
6 upper ram	رأس طرق علوية
7 lower ram	رأس طرق سفلية
8 ram guide	دليل رأس الطرق
9 hydraulic drive	إدارة هيدروليكية
10 column	قائم، عمود
11 short-stroke drop hammer	مطرقة متساوقة قصيرة الشوط
12 ram (tup)	رأس الطرق
13 upper die block	القالب العلوي
14 lower die block	القالب السفلي
15 hydraulic drive	إدارة هيدروليكية
16 frame	الهيكل
17 anvil	سندان
18 forging and sizing press	مكبس التشكيل وضبط المقاسات
19 standard	حامل عمودي
20 table	منضدة
21 disc (disk) clutch	قايض قرصي
22 compressed-air pipe	أنبوب الهواء المضغوط
23 solenoid valve	صمام يشغل بيلف لولبي
24 air-lift gravity hammer (air-lift drop hammer)	مطرقة متساوقة تعمل باندفع الهوائي
25 drive motor	محرك الإدارة
26 hammer (tup)	مطرقة
27 foot control (foot pedal)	آلية تحكم تعمل بالقدم
28 reshaped (blocked) workpiece	قطعة الشغل قبل تشكيلها
29 hammer guide	دليل المطرقة
30 hammer cylinder	أسطوانة هواء المطرقة
31 anvil	سندان
32 mechanical manipulator to move the workpiece in hammer forging	مناول ميكانيكي لتحريك قطعة الشغل في عملية التشكيل بالمطرقة
33 dogs	كلابان، ماسكان
34 counterweight	ثقل موازن
35 hydraulic forging press	مكبس تشكيل هيدروليكي
36 crown	تاج
37 cross head	طربوش الوصل
38 upper die block	كتلة اللقمة العلوية
39 lower die block	كتلة اللقمة السفلية
40 anvil	سندان
41 hydraulic piston	كبّاس هيدروليكي
42 pillar guide	دليل القائم
43 rollover device	آلية قلابة
44 burden chain (chain sling)	معلق سلسلة
45 crane hook	خطاف المرفاع
46 workpiece	قطعة الشغل
47 gas furnace (gas-fired)	فرن يعمل بالغاز

26 shavings	نحاتة، قراضة، براية
136 Basket Maker	السلال (صانع السلال)
1-40 basket making (basketry, basketwork)	صناعة السلال
1-4 weaves (strokes)	أنسجة سلالية
1 randing	أملود متداول
2 rib randing	جدل ضلعي
3 oblique randing	جدل مائل
4 randing, a piece of wickerwork (screen work)	نسيج، قطعة من الأماليد المجدولة
5 weaver	نسيج، ناسج
6 stake	عود (صفصاف)
7 workboard; also: lap-board	سطح الشغل
8 screw block	قالب تثبيت العيدان
9 hoic for holding the block	ثقب لتثبيت القالب
10 stand	حامل
11 chip basket (spale basket)	سلّة من رقاقات القش
12 chip (spale)	رقاقة من القش
13 soaking tub	حوض النقع في الماء
14 willow stakes (osier stakes)	عيدان الصفصاف
15 willow rods (osier rods)	عصيان الصفصاف
16 basket, a piece of wickerwork (basketwork)	سلّة، قطعة من الأماليد المجدولة
17 border	حاشية، كتار
18 woven side	جانب منسوج
19 round base	قاعدة مستديرة
20 woven base	قاعدة منسوجة
21 slath	جديلة
22-24 covering a frame	تغطية الإطار
22 frame	إطار
23 end	طرف الأملود
24 rib	ضلع
25 upsett	إطار ذو أضلع مفلطحة
26 grass; kinds: esparto grass, alfalfa grass	نجيل، أنواعه الحلفاء والفضفصة
27 rush (bulrush, reed mace)	سمار (نبات)
28 reed	منشط
29 raffia (bast)	ليف نخل الرافية
30 straw	قش
31 bamboo cane	خيزران
32 rattan (ratan) chair cane	خيزران الروطان المستخدم في صنع الكراسي
33 basket maker	صانع السلال
34 bending tool	أداة ثني
35 cutting point (bodkin)	سن القطع (مخرز)
36 rapping iron	قضيب خلطة بالندقية
37 pincers	كناشة
38 picking knife	سكين قطف
39 shave	شريحة
40 hacksaw	مبشار معادن

137 Blacksmith (Smith) I	الحداد (1)
1-8 hearth (forge) with blacksmith's fire	كوّرة الحداد
1 hearth (forge)	مجمرّة، كوّرة
2 shovel (slice)	مجرفة
3 swab	فرشاة ترطيب
4 rake	مدبنة
5 poker	مجرّك (الجمر)، سيخ تقليب الجمر
6 blast pipe (tue iron)	ماسورة اللفح (أقسام الكور الثقالي)
7 chimney (cowl, hood)	مدخنة
8 water trough (quenching trough, bosh)	وعاء ماء الشقيفة
9 power hammer	مطرقة آلية
10 ram (tup)	مكبس، مطرقة، مدك
11-16 anvil	السندان
11 anvil	سندان
12 flat beak (beck, bick)	طرف السندان المفلطح
13 round beak (beck, bick)	طرف السندان المستدير
14 auxiliary table	تضد مساند
15 foot	قاعدة
16 upsetting block	كتلة الفلطة بالطرق على الساخن
17 swage block	زهرة طرق
18 tool-grinding machine (tool grinder)	ماكينة تجليخ العدة
19 grinding wheel	عجلة التجليخ
20 block and tackle	بكرة وبكرة وحبل
21 workbench (bench)	طاولة الشغل
22-39 blacksmith's tools	أدوات الحداد
22 sledge hammer	مرزبة
23 blacksmith's hand hammer	شاكوش يدوي، مطرقة يدوية
24 flat tongs	ملقط مفلطح الطرف
25 round tongs	ملقط مستدير الطرف
26 parts of the hammer	أجزاء المطرقة/الشاكوش
27 peen (pane, pein)	وجه المطرقة
28 face	عروة
29 eye	مقبض
30 haft	سندك سفيني
31 cotter punch	مقطعة الحداد (سندان)
32 hardy (hardie)	مطرقة تسطيع
33 set hammer	أزميل قطع مطرفي الشكل
34 sett (set, sate)	مطرقة مفلطحة
35 flat-face hammer (flatter)	
36 round punch	سندك محذب (دائري المقطع)
37 angle tongs	ملقط بزواوية
38 blacksmith's chisel (scaling hammer, chip-ping hammer)	أزميل الحداد (مطرقة التقشير)
39 moving iron (bending iron)	قضيب الثني

138 Blacksmith (Smith) II (Farm Vehicle Engineering)	الحداد (2) (هندسة المركبات الزراعية)
1 compressed-air system	جهاز الهواء المضغوط
2 electric motor	محرك كهربائي
3 compressor	ضاغط
4 compressed-air tank	أسطوانة الهواء المضغوط
5 compressed-air line	خطوط/خط الهواء المضغوط
6 percussion screwdriver	مفك يعمل بالصدمة
7 pedestal grinding machine (floor grinding machine)	ماكينة تجليخ بقاعدة
8 grinding wheel	عجلة التجليخ
9 guard	وقاء
10 trailer	مقطورة
11 brake drum	أسطوانة الفرامل، طبلة المكبح
12 brake shoe	حذاء الفرامل/المكبح
13 brake lining	بطانة الفرامل/المكبح
14 testing kit	صندوق أدوات الاختبار
15 pressure gauge (Am. gage)	مقياس الضغط
16 brake-testing equipment, a rolling road	معدات اختبار الفرامل/المكبح
17 pit	بشر، حفرة
18 braking roller	أسطوانة الفرامل/المكبح
19 meter (recording meter)	عداد قياس
20 precision lathe for brake drums	مخزّطة دقيقة لضبط أسطوانات الفرامل/المكبح
21 lorry wheel	دولاب شاحنة
22 boring mill	ماكينة حفر عمودي
23 power saw, a hacksaw (power hacksaw)	مبشار معادن كهربائي
24 vice (Am. vise)	ملزعة، منجّلة
25 saw frame	إطار المبشار
26 coolant supply pipe	أنبوب إمداد المحلول المبرّد
27 riveting machine	ماكينة برشمة
28 trailer frame (chassis) under construction	شاسيه مقطورة تحت التصنيع
29 inert-gas welding equipment	معدات اللحام في محيط من الغاز الخامل
30 rectifier	مقوم
31 control unit	وحدة التحكم
32 CO ₂ cylinder	أسطوانة ثاني أكسيد الكربون
33 anvil	سندان
34 hearth (forge) with blacksmith's fire	كوّرة الحداد، مجمرّة
35 trolley for gas cylinders	تروولي أسطوانات الغاز
36 vehicle under repair, a tractor	جرار تحت التصليح
139 Hammer Forging (Smith Forging) and Drop Forging	تشكيل المعادن بالطرق
1 continuous furnace	فرن من النوع المتواصل

48 gas burner	موقد غازي
49 charging opening	فتحة شحن الخامات
50 chain curtain	ستارة من السلاسل
51 vertical-lift door	باب رفع رأسي
52 hot-air duct	منجزي الهواء الساخن
53 air preheater	مُسَخِّن هواء مُتَقَدِّم
54 gas pipe	أَنْبُوب الغاز
55 electric door-lifting mechanism	آلية كهربية لرفع الباب
56 air blast	نَفْع الهواء
140 Metalworker	عامل تَشْغِيل المَعَادِن
1-22 metalwork shop	وَرْتِيَّة الأَشْغَال المَعْدِنِيَّة
(mechanic's workshop, fitter's workshop, locksmith's workshop)	(وَرْتِيَّة الميكانيكي/البرَّاد/صانع الأقفال)
1 metalworker (e.g. mechanic, fitter, locksmith; form. also: wrought-iron craftsman)	عامل تشغيل معادن (برَّاد، صانع أقفال)
2 parallel-jaw vice (<i>Am. vice</i>)	ملزمة متوازية الفكين
3 jaw	فك
4 screw	لولب، مِسْطَر ملوب
5 handle	ذراع
6 workpiece	قطعة الشغل
7 workbench (bench)	طاولة الشغل
8 files (<i>kinds</i> : rough file, smooth file, precision file)	مِيارِد (أنواعها مِيارِد خشن، مِيارِد أملس، مِيارِد البَرْد الدقيق)
9 hacksaw	مِشار معادن
10 leg vice (<i>Am. vise</i>), a spring vice	ملزمة قَدَمِيَّة
11 muffle furnace, a gas-fired furnace	فَرْن إجماع خارجي، فَرْن لافع، فَرْن يَشْغَل بالغاز
12 gas pipe	أَنْبُوب الغاز
13 hand brace (hand drill)	مِغْطاب بدوي
14 swage block	زهرة طرق
15 filing machine	مكته بَرْد
16 file	مِيارِد
17 compressed-air pipe	أَنْبُوب هواء مضغوط
18 grinding machine (grinder)	مكته تجليخ (جلاخة)
19 grinding wheel	عَجَلَة تجليخ
20 guard	وقاء
21 goggles (safety glasses)	نظارات واقية من البَهْر
22 safety helmet	خوذة امان
23 machinist's hammer	مطرقة البرَّاد
24 hand vice (<i>Am. vise</i>)	ملزمة يدوية
25 cape chisel (cross-cut chisel)	أزْمِيل تخديد
26 flat chisel	أزْمِيل مفلطح الحد
27 flat file	مِيارِد مسطح
28 file cut (cut)	قطعية المِيارِد
29 round file (<i>also</i> : half-round file)	مِيارِد دائري المقطع (أيضاً مِيارِد نصف دائري المقطع)
30 tap wrench	مِقْطاح ربط ذكر اللولبية

31 reamer	بُرْغَل، مَوْسَع الثقوب
32 die (die and stock)	لقمة اللولبية
33-35 key	مِقْطاح
33 stem (shank)	ساق
34 bow	قوس (رأس)
35 bit	سن المِقْطاح (لسان)
36-43 door lock, a mortise (mortice) lock	قفل باب، كيلون باب
36 back plate	اللوحة الخلفية
37 spring bolt (latch bolt)	رتاج ذو نابض، سقاطة مزلاج
38 tumbler	لسان القفل
39 bolt	مزلاج
40 keyhole	تقب المِقْطاح
41 bolt guide pin	مِشْمار دليلي للمزلاج
42 tumbler spring	نابض لسان القفل
43 follower, with square hole	رادف ذو تقب مربع
44 cylinder lock (safety lock)	قفل أسطواني (قفل امان)
45 cylinder (plug)	أَسْطُوَانَة
46 spring	نابض
47 pin	مِشْمار
48 safety key, a flat key	مِقْطاح امان
49 lift-off hinge	مفصلة من جزئين قابلين للفصل
50 hook-and-ride band	مفصلة خفاف وراكب
51 strap hinge	مفصلة جناح واحد
52 vernier calliper (caliper) gauge (<i>Am. gage</i>)	مقياس ذو قدمة ورْتِيَّة
53 feeler gauge (<i>Am. gage</i>)	مقياس تحسسي
54 vernier depth gauge (<i>Am. gage</i>)	مقياس بورْتِيَّة لتحديد العمق
55 vernier	وَرْتِيَّة
56 straightedge	مِسطرة تقويم
57 square	زاوية قائمة، كوس
58 breast drill	مِغْطاب صدري
59 twist bit (twist drill)	مِغْطاب التوائي
60 screw tap (tap)	ذَكَر لولبية
61 halves of a screw die	نصفا قالب اللولبية
62 screwdriver	مفك
63 scraper (<i>also</i> : pointed triangle scraper)	مِكَشْطَة (أيضاً مِكَشْطَة مثلثة مستدقة الطرف)
64 centre (<i>Am. center</i>) punch	سَبْك تعليم المركز
65 round punch	سَبْك دائري المقطع
66 flat-nose pliers	زردية مسطحة الفكين
67 detachable-jaw cut nippers	قَرَأْضَة ذات فك قابل للفصل
68 gas pliers	زردية مواسِئِر الغاز
69 pincers	كَمَاشَة

141 Gas Welder

1 gas cylinder manifold	مِجْمَع أسْطُوَانَات الغاز
2 acetylene cylinder	أَسْطُوَانَة الأستيلين
3 oxygen cylinder	أَسْطُوَانَة الأوكسجين
4 high-pressure mano-	مانومتر الضغط العالي

عامل اللحام بالغاز

meter	مانومتر
-------	---------

5 pressure-reducing valve (reducing valve, pressure regulator)	مُنْظَم الضغط، صِمَام
6 low-pressure manometer	مانومتر الضغط المنخفض
7 stop valve	مِحْبَس
8 hydraulic back-pressure valve for low-pressure installations	صِمَام هيدرولي للضغط الخلفي للتركيبات منخفضة الضغط
9 gas hose	خَرْطُوم الغاز
10 oxygen hose	خَرْطُوم الأوكسجين
11 welding torch (blow-pipe)	مِشْغَل/جَمَلِج اللِّحَام
12 welding rod (filler rod)	سِيج اللِّحَام، سِيج إضافة
13 welding bench	طاولة اللِّحَام
14 grating	حاجز مُشْبِك
15 scrap box	صَنْدُوق القراضة/الخراطة
16 bench covering of chamotte slabs	غِطَاء الطاولة المصنوع من الأواح الشاموت
17 water tank	خَزَان ماء
18 welding paste (flux)	مِجْجُون اللِّحَام (مُساَجِد صهر)
19 welding torch (blow-pipe) with cutting attachment and guide tractor	مِشْغَل/جَمَلِج اللِّحَام المزود بقم القطع وجرَّار دليلي
20 workpiece	قطعة الشغل
21 oxygen cylinder	أَسْطُوَانَة الأوكسجين
22 acetylene cylinder	أَسْطُوَانَة الأستيلين
23 cylinder trolley	تروولي الأَسْطُوَانَات
24 welding goggles	نظارات واقية من بهر اللِّحَام
25 chipping hammer	مِطْرَقَة جِذ/تاجين
26 wire brush	فَرْشَة سلكية
27 torch lighter (blowpipe lighter)	ولاعة الجَمَلِج/المِشْغَل
28 welding torch (blow-pipe)	مِشْغَل/جَمَلِج اللِّحَام
29 oxygen control	مُنْظَم دفق الأوكسجين
30 oxygen connection	وَصْلَة الأوكسجين
31 gas connection (acetylene connection)	وَصْلَة الغاز (وَصْلَة الأستيلين)
32 gas control (acetylene control)	مُنْظَم دفق الغاز
33 welding nozzle	فَوْرَة اللِّحَام
34 cutting machine	مَأْكِيَة القطع
35 circular template	طَبْعَة/ضبيعة دائرية
36 universal cutting machine	مَأْكِيَة قطع عامة
37 tracing head	رأس تتبع الطَبْعَة/الضبيعة
38 cutting nozzle	رأس القطع

142 Arc Welder

1 welding transformer	مَحْوَل اللِّحَام
2 arc welder	عامل اللحام القوسي
3 arc welding helmet	خوذة عامل اللحام القوسي
4 flip-up window	نافذة تفتح لأعلى
5 shoulder guard	واقى الكتفين

عامل اللحام القوسي

مَحْوَل اللِّحَام	عامل اللحام القوسي
خوذة عامل اللحام القوسي	نافذة تفتح لأعلى
واقى الكتفين	

6 protective sleeve	كُم واق
7 electrode case	غلاف الألكترود
8 three-fingered welding glove	قَفْزَان لِحَام ذو ثلاثة أصابع
9 electrode holder	حَامِل الألكترود
10 electrode	اللكترود
11 leather apron	مربطة جلدية
12 shin guard	وقاء الساق
13 welding table with fume extraction equipment	طاولة اللِّحَام ومعدات طرد الأبخرة
14 table top	سَطْح الطاولة
15 movable extractor duct	مِجْرِي جهاز الطرد المتحرك
16 extractor support	حَامِل جهاز الطرد
17 chipping hammer	مِطْرَقَة الرايش، مِطْرَقَة الجِذ/التاجين
18 wire brush	فَرْشَة سلك
19 welding lead	سلك اللِّحَام
20 electrode holder	حَامِل الألكترود
21 welding bench	طاولة اللِّحَام
22 spot welding	لِّحَام البقعة
23 spot welding electrode holder	حَامِل الكترود لِحَام البقعة
24 electrode arm	ذراع الألكترود
25 power supply (lead)	موصِل التيار الكهربائي (سلك توصيل)
26 electrode-pressure cylinder	أَسْطُوَانَة ضغط الألكترود
27 welding transformer	مَحْوَل اللِّحَام
28 workpiece	قطعة الشغل
29 foot-operated spot welder	جهاز لِحَام بقعة يتم تشغيله بالقدم
30 welder electrode arms	ذراع الألكترود لجهاز اللِّحَام
31 foot pedal for welding pressure adjustment	دَوَاسَة القدم الخاصة بتعديل ضغط اللِّحَام
32 five-fingered welding glove	قَفْزَان لِحَام ذو خمسة أصابع
33 inert-gas torch for inert-gas welding (gas-shielded arc welding)	مِشْغَل/جَمَلِج الغاز الخامل لِلحَام في محيط من الغاز الخامل
34 inert-gas (shielding-gas) supply	مُصَدِّر إمداد الغاز الخامل
35 work clamp (earthing clamp)	مِلْزِمَة/قائمة الشغل
36 fillet gauge (<i>Am. gage</i>) [for measuring throat thickness]	مقياس اللِّحْمَة الزاويَّة [لقياس خِثانة العنق الفعلية للحمّة زاوية مقعرة]
37 micrometer	ميكرومتر
38 measuring arm	ذراع القياس
39 arc welding helmet	خوذة اللِّحَام القَوْسِي
40 filter lens	عدسة ترشيح
41 small turntable	صِبْيِيَّة دَوَارة صغيرة
143 Sections, Bolts and Machine Parts	القطع والمسامير وأجزاء الماكينة
[material: steel, brass, aluminium (<i>Am. aluminum</i>),	[المادة: سَلْب ونحاس والمنيوم وبلاستيك، الخ.

plastics, etc.; in the following, steel was chosen as an example]

1 angle iron (angle)
 2 leg (flange)
3-7 steel girders
 3 T-iron (tee-iron)
 4 vertical leg
 5 flange
 6 H-girder (H-beam)
 7 E-channel (channel iron)
 8 round bar
 9 square iron (*Am.* square stock)
 10 flat bar
 11 strip steel
 12 iron wire
13-50 screws and bolts
 13 hexagonal-head bolt
 14 head
 15 shank
 16 thread
 17 washer
 18 hexagonal nut
 19 split pin
 20 rounded end
 21 width of head (of flats)
 22 stud
 23 point (end)
 24 castle nut (castellated nut)
 25 hole for the split pin
 26 cross-head screw, a sheet-metal screw (self-tapping screw)
 27 hexagonal socket head screw
 28 countersunk-head bolt
 29 catch
 30 locknut (locking nut)
 31 bolt (pin)
 32 collar-head bolt
 33 set collar (integral collar)
 34 spring washer (washer)
 35 round nut, an adjusting nut
 36 cheese-head screw, a slotted screw
 37 tapered pin
 38 screw slot (screw slit)

وفيما يلي اخترنا الصلب كمتثال]

39 square-head bolt
 40 grooved pin, a cylindrical pin
 41 T-head bolt
 42 wing nut (fly nut, butterfly nut)
 43 rag bolt
 44 barb
 45 wood screw
 46 countersunk head
 47 wood screw thread
 48 grub screw
 49 pin slot (pin slit, pin groove)
 50 round end
 51 nail (wire nail)
 52 head
 53 shank
 54 point
 55 roofing nail
 56 riveting (lap riveting)
57-60 rivet
 57 set head (swage head, die head), a rivet head
 58 rivet shank
 59 closing head
 60 pitch of rivets
 61 shaft
 62 chamfer (bevel)
 63 journal
 64 neck
 65 seat
 66 keyway
 67 conical seat (cone)
 68 thread
 69 ball bearing, an antifriction bearing
 70 steel ball (ball)
 71 outer race
 72 inner race
73-74 keys
 73 sunk key (feather)
 74 gib (gib-headed key)
75-76 needle roller bearing
 75 needle cage
 76 needle
 77 castle nut (castellated nut)
 78 split pin
 79 casing
 80 casing cover
 81 grease nipple (lubricating nipple)

82-96 gear wheels, cog wheels
 82 stepped gear wheel
 83 cog (tooth)
 84 space between teeth
 85 keyway (key seat, key slot)
 86 bore
 87 herringbone gear wheel
 88 spoke (arm)
 89 helical gearing (helical spur wheel)
 90 sprocket
 91 bevel gear wheel (bevel wheel)
92-93 spiral toothing
 92 pinion
 93 crown wheel
94-96 epicyclic gear (planetary gear)
 94 planet wheels
 95 internal gear
 96 sun wheel (sun gear)
97-107 absorption dynamometer
 97 shoe brake (check brake, block brake)
 98 brake pulley
 99 brake shaft (brake axle)
 100 brake block (brake shoe)
 101 pull rod
 102 brake magnet
 103 brake weight
 104 band brake
 105 brake band
 106 brake lining
 107 adjusting screw, for even application of the brake
144 Coal Mine
1-51 coal mine (colliery, pit)
 1 pithead gear (headgear)
 2 winding engine house
 3 pithead frame (head frame)
 4 pithead building
 5 processing plant
 6 sawmill
7-11 coking plant
 7 battery of coke ovens
 8 larry car (larry, charging car)
 9 coking coal tower
 10 coke-quenching tower
 11 coke-quenching car
 12 gasometer

التروس، العجلات المسننة
 تروس مدرج
 سن التروس
 مسافة بين الأسنان
 مجرى خابوري
 جوف
 تروس لولبي مزدوج
 برشق
 تروس لولبي
 مُسنّات التروس، مضرسة
 تروس مخروطي
 التستين الحلزوني
 تروس بينون/صغير
 تروس رئيسي
 نظام التروس التداويري
 تروس كوكبية الدوران
 تروس داخلي
 تروس شمسي
 دينامومتر امتصاصي
 فرملة حذائية
 بكرّة الفرامل/المكبّج
 عمود الفرامل/المكبّج
 لغمة الفرامل/المكبّج
 ذراع الجذب
 المغناطيس الرافع للفرامل
 وزن الفرامل
 مكبّج طوقي
 طوق الفرامل/المكبّج
 بطانة الفرامل/المكبّج
 برغي الضبط لتشغيل الفرامل/المكبّج بشكل منتظم
منجم الفحم
منجم الفحم
 أجهزة قوّة المنجم
 بيت مرافع المنجم
 تشخيصية قوّة المنجم
 مبنى قوّة المنجم
 معمل التصنيع
 منشأة
 وحدة تكويك
 بطارية من أفران التوكيك
 شاحنة مسطحة
 برج فحم التوكيك
 برج إطفاء التوكيك
 عربة إطفاء الكوك
 مستودع لحزن الغاز
 وقياس كميته
 محطة توليد الطاقة الكهربائية
 برج الماء
 برج التبريد
 مروحة تبريد المنجم
 مستودع
 مبنى الإدارة (مكاتب إدارية)
 ركامة الحفر
 وحدة تنظيف
21-51 underground workings (underground mining)
 21 ventilation shaft
 22 fan drift
 23 cage-winding system with cages
 24 main shaft
 25 skip-winding system
 26 winding inset
 27 staple shaft
 28 spiral chute
 29 gallery along seam
 30 lateral
 31 cross-cut
 32 tunnelling (*Am.* tunneling) machine
33-37 longwall faces
 33 horizontal ploughed longwall face
 34 horizontal cut longwall face
 35 vertical pneumatic pick longwall face
 36 diagonal ram longwall face
 37 goaf (gob, waste)
 38 air lock
 39 transportation of men by cars
 40 belt conveying
 41 raw coal bunker
 42 charging conveyor
 43 transportation of supplies by monorail car
 44 transportation of men by monorail car
 45 transportation of supplies by mine car
 46 drainage
 47 sump (sink)
 48 capping
 49 [layer of] coal-bearing rock
 50 coal seam
 51 fault

مَصْنَعُ الحَدِيدِ وَالصَّبِّ

147 Iron and Steel Works

1-20 blast furnace plant

- 1 blast furnace, a shaft furnace
- 2 furnace incline (lift) for ore and flux or coke
- 3 skip hoist
- 4 charging platform
- 5 receiving hopper
- 6 bell
- 7 blast furnace shaft
- 8 smelting section
- 9 slag escape
- 10 slag ladle
- 11 pig iron (crude iron, iron) runout
- 12 pig iron (crude iron, iron) ladle
- 13 downtake
- 14 dust catcher, a dust-collecting machine
- 15 hot-blast stove
- 16 external combustion chamber
- 17 blast main
- 18 gas pipe
- 19 hot-blast pipe
- 20 tuyère
- 21-69 steelworks
- 21-30 Siemens-Martin open-hearth furnace
- 21 pig iron (crude iron, iron) ladle
- 22 feed runner
- 23 stationary furnace
- 24 hearth
- 25 charging machine
- 26 scrap iron charging box

وَحِدَّةُ الفُورْنِ العَالِي، فُورْنِ قَانَمِ الفُورْنِ العَالِي

السَّطْحُ المَائِلُ بالفُورْنِ لإِدخالِ الخَامِ ومَسَاعِدِ الصَّهْرِ أو الكوكِ

نَاقِلَةٌ قَلَابَةٌ مَزْدُوجَةٌ

مَبْنَىةُ الإِلْقَامِ قَادُوسِ اسْتِقْبَالِ نَاقُوسِ

حُلُقُ الفُورْنِ العَالِي مَنطَفَةِ الصَّهْرِ، المِجْمَرَةُ فَتْحَةٌ صَبِّ الخَبثِ

بُودَقَةٌ الخَبثِ فَتْحَةٌ صَبِّ الحَدِيدِ الخَامِ

بُودَقَةٌ الحَدِيدِ الخَامِ

أُتْيُوبُ الهَبوطِ فَاصِلُ الأتْرَبَةِ

مَسْحَنٌ "كَاوْبِر" حِجْرَةٌ الاحْتِرَاقِ الخَارِجِي

أُتْيُوبُ اللِّقْحِ الرَّئِيسِي أُنْيُوبُ الغَازِ

أُنْيُوبُ اللِّقْحِ السَّاخِنِ الوِزَانَاتِ

مَصْنَعُ الصَّبِّ فُورْنِ المِجْمَرَةِ المَكشُوفَةِ لِسِيْمَنْزْ وَمَارْتِنْ

بُودَقَةٌ الحَدِيدِ الخَامِ

سَجْرَى الصَّبِّ فُورْنٌ ثَابِتٌ

مِجْمَرَةٌ، مَوْقِدٌ أَلِيَّةُ السَّاخِنِ، شَاحِنَةٌ صَنْدُوقُ شَحْنِ الخَدِيدِ الخَرْدَةِ

أُنْيُوبُ الغَازِ حِجْرَةٌ مَسْتَرَجِعُ الغَازِ

أُنْيُوبُ التَّقْذِيَةِ بِالهَوَاءِ حِجْرَةٌ مَسْتَرَجِعُ الهَوَاءِ

بُودَقَةٌ صَبِّ الصَّبِّ [مِنِ أسْفَل] مَزْدُوجَةٌ بِمِجْسِي

قَالَِبُ صَبِّةِ الكُكْلِ (الصَّبِيَّةُ) كُكْلَةٌ مَصْنُوعَةٌ مِنَ الفُورَادِ

مَآكِينَةٌ صَبِّ خَامِ الحَدِيدِ

حِدُّوسُ الصَّبِّ مِجْرَى صَبِّ المَعْدِنِ سِبْطِيَّةٌ مِنَ القَوَالِبِ

قَالَِبٌ مَمْرٌ صَيقٌ

مِينَاءُ شَحْنِ نَاقَلَاتِ النَظْفِ

الحَفْرُ البَحْرِي
جِهَازُ الحَفْرِ (حَفَارَةٌ الرِيزِيتِ)

مَنْصَتَةُ الحَفْرِ مَحْطَةُ تَوَلِيدِ الطَاقَةِ

مَوَاسِيرُ عَادِمِ مَوْلِدِ الطَاقَةِ مِرْفَاعٌ دَوَّارٌ

مِينَصَةٌ (حَمَلٌ) مَوَاسِيرُ الحَفْرِ مَوَاسِيرُ عَادِمِ التَّورِبِينَ

مَحْزَنُ المَوَادِ سَطْحُ هَبُوطِ الهَلِيكُوبِتِرِ

مِصْعَدٌ فَرَاغَةٌ غَازٌ وَزَيْتِ الإِنْتِاجِ

فَرَازَاتُ اخْتِبَارِ الزَيْتِ وَالغَازِ

مِدْخَنَةُ شَعْلَةِ الطَوَارِيءِ بَرْجُ الحَفْرِ

خِزَانٌ وَقُودِ الدِيْزَلِ مِينَيِّ المَكَاتِبِ

خِزَانَاتُ الأَسْمَنْتِ خِزَانُ مَاءِ الشَّرْبِ

خِزَانُ المَاءِ المَالِحِ خِزَانَاتُ الوُقُودِ اللِّفَاثِ

قَوَارِبِ النَجَاةِ بِنَاءُ المِصْعَدِ

خِزَانُ الهَوَاءِ المِضْغُوطِ مَحْطَةُ الضَّخِّ

ضَاطِعُ هَوَائِي دَسَامٌ هَوَائِي

مَعْمَلٌ تَحْلِيَةِ مِیَاهِ البَحْرِ مَرشَحاتُ الإِدخالِ الخَاصَةِ

بُوقُودِ الدِيْزَلِ مِينَرُ الغَازِ

لُوحَةٌ تَحْكَمُ الفَرَازَاتِ دُورَاتُ مِیَاهِ (مَرَاحِضِ) وَرَشَةٌ

مِصْعِدَةُ الكَاشِطَةِ [تَسْتَعْمَدُ فِی تَنْظِيفِ حِطِّ أَنَاثِيبِ الزَّيْتِ]

غُرْفَةُ التَّحْكَمِ وَالعِراقِیَّةُ وَحِدَاتٌ سَکِنِیَّةٌ

مِصْحَنَاتٌ سَمْتَنَةٌ عَالیَّةُ الضَّغْطِ السَّطْحِ السَّفْلِي

السَّطْحُ الأَوْسَطُ السَّطْحُ العُلَوی (السَّطْحُ الرَّئِيسِي) التَّرْكِیباتُ الدُنْیَا لِجِهَازِ الحَفْرِ

مَوسَطُ ارْتِفاعِ سَطْحِ البِحرِ

74 tanker terminal

146 Offshore Drilling
1-39 drilling rig (oil rig)

1-37 drilling platform

- 1 power station
- 2 generator exhausts
- 3 revolving crane (pedestal crane)
- 4 piperrack
- 5 turbine exhausts
- 6 materials store
- 7 helicopter deck (helicopter port, heliport)
- 8 elevator
- 9 production oil and gas separator
- 10 test oil and gas separators (test separators)
- 11 emergency flare stack
- 12 derrick
- 13 diesel tank
- 14 office building
- 15 cement storage tanks
- 16 drinking water tank
- 17 salt water tank
- 18 jet fuel tanks
- 19 lifeboats
- 20 elevator shaft
- 21 compressed-air reservoir
- 22 pumping station
- 23 air compressor
- 24 air lock
- 25 seawater desalination plant
- 26 inlet filters for diesel fuel
- 27 gas cooler
- 28 control panel for the separator
- 29 toilets (lavatories)
- 30 workshop
- 31 pig trap [the 'pig' is used to clean the oil pipeline]
- 32 control room
- 33 accommodation modules (accommodation)
- 34 high-pressure cementing pumps
- 35 lower deck
- 36 middle deck
- 37 top deck (main deck)
- 38 substructure
- 39 mean sea level

تَاصِيعُ الرِيزِيتِ الخَامِ
[رِسمُ تَخْطِیْلِی] فُورْنِ الرِيزِيتِ

بِرْجُ تَجزِئَةٍ ذَوِ أَحْواضِ

غَازَاتُ علَویَّةٌ، قِطَافَةٌ نَظْفِیَّةٌ نِوَاتِجٌ تَقطِیرِ خَفِيفَةٌ

نِوَاتِجٌ تَقطِیرِ ثَقِیلَةٌ

بِقرُولِ مَرْكَبِ الغَازِ وَالرِيزِيتِ فَضَالَةٌ

مَكْمَلٌ (مِینَرَدٌ) ضَاطِعٌ

مَعْمَلٌ نِزَعِ الكَبْرِیتِ المَهْدَبُ الكِیْمَاوِي

وَحِدَةٌ تَکسِیرِ بِالْحَفْرِ

بِرْجُ التَّقطِیرِ فَصَلُ الشَّعْمِ

وَحِدَةٌ تَقطِیرِ خَوَاشِیةٍ مِنتِجَاتِ الرِيزِيتِ

غَازُ الوُقُودِ (التَدْفِئَةِ) غَازٌ بَترُولِی سُمَالٌ (غَازٌ سَائِلٌ)

بِزَیْنِ عَادِي بِزَیْنِ مِمْتَازِ

رِيزِيتِ الدِيزِیلِ وَقُودِ الطَیْرَانِ

رِيزِيتٌ وَقُودٌ خَفِيفٌ رِيزِيتٌ وَقُودٌ ثَقِیلٌ

بَارَافِینِ (کِیرُوسِینِ) رِيزِيتِ المَحوَارِ

رِيزِيتِ التَّرْلِیقِ رِيزِيتِ الاسْطِوانَاتِ

بِیتُومِینِ مِصْفَاةُ الرِيزِيتِ

حِطُّ أَنَاثِيبِ الرِيزِيتِ مَعَامِلُ التَّقطِیرِ

مِصْفَاةُ رِيزِيتِ التَّرْلِیقِ مَعْمَلٌ نِزَعِ الكَبْرِیتِ

مَعْمَلٌ فَصَلِ الغَازِ مَعْمَلٌ تَکسِیرِ بِالْحَفْرِ

مَهْدَبٌ کِیْمَاوِي بِالْحَفْرِ صَهرِیجِیَّةٌ تَخْزِینِ

خِزَانٌ کُرُوی

36-64 processing of crude oil [diagram]

36 oil furnace (pipe still)

37 fractionating column (distillation column) with trays

38 top gases (tops)

39 light distillation products

40 heavy distillation products

41 petroleum

42 gas oil component

43 residue

44 condenser (cooler)

45 compressor

46 desulphurizing (desulphurization, Am. desulfurizing, desulfurization) plant

47 reformer (hydroformer, platformer)

48 catalytic cracker (cat cracker)

49 distillation column

50 de-waxing (wax separation)

51 vacuum equipment

52-64 oil products

52 fuel gas

53 liquefied petroleum gas (liquid gas)

54 regular grade petrol (Am. gasoline)

55 super grade petrol (Am. gasoline)

56 diesel oil

57 aviation fuel

58 light fuel oil

59 heavy fuel oil

60 paraffin (paraffin oil, kerosene)

61 spindle oil

62 lubricating oil

63 cylinder oil

64 bitumen

65-74 oil refinery

65 pipeline (oil pipeline)

66 distillation plants

67 lubricating oil refinery

68 desulphurizing (desulphurization, Am. desulfurizing, desulfurization) plant

69 gas-separating plant

70 catalytic cracker plant

71 catalytic reformer

72 storage tank

73 spherical tank

145 Mineral Oil (Oil, Petroleum)

1-21 oil drilling

- 1 drilling rig
- 2 substructure
- 3 crown safety platform
- 4 crown blocks
- 5 working platform, an intermediate platform
- 6 drill pipes
- 7 drilling cable (drilling line)
- 8 travelling (Am. traveling) block
- 9 hook
- 10 [rotary] swivel
- 11 hoist
- 12 engine
- 13 standpipe and rotary hose
- 14 kelly
- 15 rotary table
- 16 slush pump (mud pump)
- 17 well
- 18 casing
- 19 drilling pipe
- 20 tubing
- 21 drilling bit; kinds: fish-tail (blade) bit, rock (Am. roller) bit, core bit
- 22-27 oil (crude oil) production
- 22 pumping unit (pump)
- 23 plunger
- 24 tubing
- 25 sucker rods (pumping rods)
- 26 stuffing box
- 27 polish (polished) rod
- 28-35 treatment of crude oil [diagram]
- 28 gas separator
- 29 gas pipe (gas outlet)
- 30 wet oil tank (wash tank)
- 31 water heater
- 32 water and brine separator
- 33 salt water pipe (salt water outlet)
- 34 oil tank
- 35 trunk pipeline for oil [to the refinery or transport by tanker lorry (Am. tank truck), oil tanker or pipeline]

الرِيزِيتِ المَعْدِنِي
(النَظْفُ، البِترُول) الحَفْرُ بِجِئَانِ الرِيزِيتِ

جِهَازُ الحَفْرِ التَّرْكِیباتُ الدُنْیَا لِجِهَازِ الحَفْرِ

مِینَصَةٌ أَمَانٌ تَاجِیَّةٌ بِكرَاتٌ تَاجِیَّةٌ مِینَصَةٌ بِرْجُ الحَفْرِ

أَنَاثِيبُ الحَفْرِ كِیْلِ الحَفْرِ

بِكرَةٌ مَتحَرِکَةٌ خَطِّافٌ

رَاسُ مِلفٍ [دَوَّارٍ] أَجْهَرَةٌ المَرفُوعِ

مَحرَكٌ أَتُیُوبٌ تَوَازِنُ وَخِطِطُومٌ رَحوِي

عَمُودٌ حَفْرٌ مِضْغُ، عَمُودٌ كِیْلِي

طَیْلِیةُ الحَفْرِ الرَّحوِي مِیصْحَةٌ الطِینِ الرَّحوِ

بِنْرٌ أُتْيُوبٌ تَقْلِيفٌ

أُنْيُوبُ حَفْرِ أَنَاثِيبِ إِبْتِاجِ لَقْمَةٌ الحَفْرِ: أنُوعُهَا: لَقْمَةٌ بِشْفَرَتَینِ، لَقْمَةٌ ذَاتُ ثَلَاثَةِ دَلَافِینِ سَمْتَنَةٌ، لَقْمَةٌ التَّقْوِیرِ

إِنْتِاجُ الرِيزِيتِ الخَامِ وَحِدَةٌ الصَّخِّ غَاطِطٌ

أَنَاثِيبُ إِبْتِاجِ قِضْبَانِ مَاصِةٍ/ضَخِّ صَنْدُوقِ حِشو

قِضْبٌ مِصْقُولٌ مَعَالِجَةُ الرِيزِيتِ الخَامِ

[رِسمُ تَخْطِیْلِی] فَاصِلُ الغَازِ/فَرَازِ الغَازِ

أُنْيُوبُ خُرُوجِ الغَازِ خِزَانٌ شَظْفِ خَارِجِي

سَخَانٌ مِیَاهِ جِهَازٌ فَصَلِ المَاءِ وَالمِلمَعِ

أُنْيُوبُ خُرُوجِ المَاءِ المَالِحِ خِزَانُ الرِيزِيتِ

حِطُّ أَنَاثِيبِ رِيزِيتِی لِغَلِّ الرِيزِيتِ [إِلَى المِصْفَاةِ أو لِلنَّقْلِ بِوِاسِطَةِ عَرَبِراتِ صَهرِیجِیَّةِ أو نَاقَلَاتِ نَظْفِیَّةِ أو حِطِّ أَنَاثِيبِ]

39 discharging chute	مَجْرَى تصريف	2 blast main (blast inlet, blast pipe)	أَنْبُوب اللفح الرئيسي	40 grit guard	وقاء الرواسب	stock)	
40 pig	حديد خام	3 tapping spout	فِتْحَة صَبِّ المعدن المنصهر	41 revolving table	حَصِيرَة دَوَّارَة	3 reduction drive lever	إِدَارَة عَمَل الدَّوَّارَة
41 travelling (<i>Am.</i> travelling) crane	مِرْفَاع متحرك	4 spyhole	فِتْحَة مِرَاقِبَة	42 casting	مَصْنُوبَة	4 lever for normal and coarse threads	إِدَارَة الدَّوَّارَة العَادِيَة
42 top-pouring pig iron (crude iron, iron) ladle	بُودُقَة صَبِّ طَوِي لِلخَام	5 tilting-type [hot-metal] receiver	مَسْتَقْبِل [المعدن الساخن] من الطراز القلاب	43 fettler	مُهَدِّب المَصْنُوبَات	5 speed change lever	إِدَارَة عَمَل الدَّوَّارَة
43 pouring ladle lip	حَافَة / شَفَة بُودُقَة الصَّبِّ	6 mobile drum-type ladle	بُودُقَة مَتَقَلِّبَة من النوع البرلميلي	44 pneumatic grinder	جَلاخَة رُوثِيَة	6 leadscrew reverse-gear lever	إِدَارَة عَمَل حَرَكَه لَوَلْب عَمُود السَّحْب
44 tilting device (tipping device, <i>Am.</i> dumping device)	أَلِيَة إِمَالَة البُودُقَة	7 melter	عَامِل المَصْهَر	45 pneumatic chisel	أَرْمِيل رُوثِي	7 change-gear box	مَسَدُوق بَرُوس تَمْدِيل لِسُرْعَة
45-50 oxygen-blowing converter (<i>L.-D</i> converter, Linz-Donawitz converter)	مُحَوِّل نَفْخ أَكْسِجِنِي (مُحَوِّل إل-دي)	8 founder (caster)	عَامِل المَصْهَر	46 soaking pit	مِرْفَاع الفَرْن الغَاطِض	8 feed gearbox (Norton tumbler gear)	مَسَدُوق بَرُوس التَغْدِيَة (أَلِيَة البَرْمِيل الدَّوَّار لَمُورْتُون)
45 conical converter top	قَمَة المُحَوِّل المَخْرُوبِيَة	9 tap bar (tapping bar)	قَضِيب نَزَع السَّادَة (عن فُوهَة الصَّبِّ)	47 soaking pit crane	كَلْبَة مَعْدِنِيَة مَصْنُوبَة	9 levers for changing the feed and thread pitch	أَرْزُوع ضَبْط التَغْدِيَة وَاللُّوَلْب
46 mantle	تَرْتِيْبَة إِمَالَة المُحَوِّل	10 bott stick (<i>Am.</i> bot stick)	عَصَا ذَات سَدَادَة طَبِيْعَة لِسَد فِتْحَة الصَّبِّ	48 ingot	كُرْسِي قَلَاب لِلكَتَل	10 feed gear lever (tumbler lever)	زِرَاع أَلِيَة التَغْدِيَة (زِرَاع حَرَكَه البَرْمِيل الدَّوَّار)
47 solid converter bottom	قَاع صَبِّ لِلمُحَوِّل	11 molten iron	خَدِيد مَنصُور	49 ingot tipper	حَصِيرَة مَآكِينَة دَلْفَنَة الكَتَل	11 switch lever for right or left hand action of main spindle	زِرَاع الضَبْط الخَاصَة بِالتَّشغِيل اليَمِينِي أَوْ الِيسَارِي لِعمُود الدَّوَّار الرَّاسِي
48 fireproof lining (refractory lining)	بَطَانَة مَقَاوِمَة لِالحَرِيق (بَطَانَة حَرَارِيَة)	12 slag spout	فُوهَة خُرُوج الخَبث	50 roller table	قَطْعَة الشَّغْل	12 lathe foot (footpiece)	قَاعَة المَخْرُطَة
49 oxygen lance	مَاسُورَة الأَكْسِجِن	13 casting team	فَرِيْق عَامِلِي الصَّبِّ	51 workpiece	مَقْض الكَتَل	13 leadscrew handwheel for traversing of saddle (longitudinal movement of saddle)	عَجَلَة لُؤْلُب عَمُود الجِر الخَاصَة بِحَرَكَه السَّرَج المَسْتَعْرَضَة
50 tapping hole (tap hole)	فِتْحَة صَبِّ المعدن المنصهر	14 hand shank	مَعْرَفَة دِيَوِيَة	52 bloom shears	مَآكِينَة دَلْفَنَة ثَنَائِيَة	14 tumbler reverse lever	زِرَاع عَكْس حَرَكَه البَرْمِيل الدَّوَّار
51-54 Siemens electric low-shaft furnace	فَرْن سِيْمَنْز الكَهْرَبِي اللَافِح القَصِير	15 double handle (crutch)	زِرَاع مَزْدُوج	53 two-high mill	مَجْمُوعَة من دِيَوِيفَتِين	15 feed screw	لُؤْلُب التَغْدِيَة
51 feed	مَنْصَة الشَّحْن	16 carrying bar	قَضِيب حَمَل	54-55 set of rolls (set of rollers)	الدَّالْفَتِين العُلُوي	16 apron (saddle apron, carriage apron)	وقَاء تَرَس المَخْرُطَة
52 electrodes [arranged in a circle]	الكِتْرُودَات [في نَسَق دَائِرِي]	17 skimmer rod	قَضِيب حَمَل	55 lower roll (lower roller)	الدَّالْفَتِين السُفْلِي	17 lever for longitudinal and transverse motion	زِرَاع الحَرَكَه الطَوِيلِيَة وَالمَسْتَعْرَضَة
53 bustle pipe	مَاسُورَة الهَوَاء اللَافِح	18 closed moulding (<i>Am.</i> moulding) box	قَضِيب الكَاسِطَة	56-60 roll stand	هَيْكَل مَآكِينَة الدَلْفَنَة	18 drop (dropping) worm (feed trip, feed tripping device) for engaging feed mechanisms	تَرَس دَوْدِي مَسَاقِط لِتَعشِيق أَلِيَات التَغْدِيَة
54 runout	حَصِيرَة خُرُوج المعدن المنصهر	19 upper frame (cope)	صَنْدُوق صَبِّ مَغْلَق	56 base plate	قَاعَة الهَيْكَل	19 lever for engaging half nut of leadscrew (lever for class nut engagement)	زِرَاع تَعشِيق الصَّامُولَة النَصْفِيَة لِللُؤْلُب عَمُود السَّحْب
55-69 Thomas converter (basic Bessemer converter)	مُحَوِّل توماس (مُحَوِّل بِسَمَر الأَسَاسِي)	20 lower frame (drag)	النَّصْف العُلُوي لِقالِب السِّيَاكَة (فَرْدَة الغَطَاء)	57 housing (frame)	هَيْكَل المَآكِينَة	20 lathe spindle	عمُود دَوَّارِ المَخْرُطَة
55 charging position for molten pig iron	مَوْضِع شَحْن خَام الخَدِيد المنصهر	21 runner (runner gate, down-gate)	النَّصْف السُفْلِي لِقالِب السِّيَاكَة (فَرْدَة القَاع)	58 coupling spindle	عمُود دَوَّار	21 tool post	حَامِل قَلَم القَطْع
56 charging position for lime	مَوْضِع شَحْن الجِير	22 riser (riser gate)	مَجْرَى صَبِّ المعدن المنصهر	59 groove	تَجْوِيف	22 top slide (tool slide, tool rest)	حَامِل قَلَم انزِلَاقِي
57 blow position	مَوْضِع اللَفْح	23 hand ladle	بُودُقَة/مِعْرَفَة دِيَوِيَة	60 roll bearing	كُرْسِي الدَّالْفَتِين	23 cross slide	مُتَرَقِّطَة مَسْتَعْرَضَة
58 discharging position	مَوْضِع التَصْرِيف	24-29 continuous casting	بُودُقَة/مِعْرَفَة دِيَوِيَة	61-65 adjusting equipment	مُعَدَّة الضَبْط	24 bed slide	مُتَرَقِّطَة الفَرَشَة
59 tilting device (tipping device, <i>Am.</i> dumping device)	جِهَاز إِمَالَة	25 sinking pouring floor	أَرَضِيَة صَبِّ غَاطِطَة	61 chock	كُرْسِي دَعَا مَة	25 coolant supply pipe	أَنْبُوب إِمْدَاد المَبْرَد
60 crane-operated ladle	بُودُقَة تَعْمَل بِمِرْفَاع	26 solidifying pig	خَام حَدِيد مَتَجَمِد	62 main screw	الفَتِيل الرَّاسِي	26 tailstock centre (<i>Am.</i> center)	مَرَكِّز الغَرَاب المَتَحَرِّك
61 auxiliary crane hoist	وَشْ رَفْع إِضَافِي	27 liquid stage	طُور التَجَمِد	63 gear	أَلِيَة مَسْتَنَّة	27 barrel (tailstock barrel)	بَرْمِيل (بَرْمِيل الغَرَاب المَتَحَرِّك)
62 lime bunker	مَخْزَن الجِير	28 water-cooling system	نَظَام التَبْرِيد بِالمِياه	64 motor	مُوتُور (مَحْرَك)	28 tailstock barrel clamp lever	قَامِطَة بَرْمِيل الغَرَاب المَتَحَرِّك
63 downpipe	أَنْبُوب الهَيُوط	29 mould (<i>Am.</i> mold) wall	جِدَار قَالِب الصَّبِّ	65 indicator for rough and fine adjustment	مُوشِر الضَبْط القَرِيبِي وَالمُوشِر الدَّقِيق	29 tailstock	عَلْبَة الضَبْط بَرْمِيل الغَرَاب المَتَحَرِّك
64 tipping car (<i>Am.</i> dump truck)	شَاحِنَة قَلَابِيَة	30-37 moulding (<i>Am.</i> moulding) department (moulding shop)	وَرْتَمَة قَوَالِب الصَّبِّ	66-75 continuous rolling mill train for the manufacture of strip [diagram]	مَسْتَمِرَة لِصَنَاعَة الشَّرَاحِج [رَسْم تَخْطِيطِي]	30 tailstock barrel adjusting handwheel	فَرَشَة المَخْرُطَة
65 scrap iron feed	شَحْن الحَدِيد الخَرْدَة	34 pattern	عَامِل الصَّبِّ	70 blooming train	حَصِيرَة مَآكِينَة دَلْفَنَة الكَتَل	31 lathe bed	فَرَشَة المَخْرُطَة
66 control desk	لُوحَة التَّحْكَم	35 moulding (<i>Am.</i> mold-) sand	رَمَل قَالِب الصَّبِّ	71 finishing train	حَصِيرَة التَنْظِيب	32 leadscrew	لُؤْلُب عَمُود السَّحْب
67 converter chimney	مَذخَنَة المُحَوِّل	36 core	قَلْب المَسْتَبُوك	72 coiler	مَآكِينَة لَف	33 feed shaft	عمُود التَغْدِيَة
68 blast main	أَنْبُوب اللَفْح الرَّاسِي	37 core print	طَبِيعَة قَلْب المَسْتَبُوك	73 stock of coils for sale	مَجْمُوعَة مِلْفَآت لِلبِيع		
69 wind box	صَنْدُوق الهَوَاء	38-45 cleaning shop (fettling shop)	وَرْتَمَة التَّوَضِيب	74 5 mm shearing train	حَصِيرَة قَص 5 م م		
148 Iron Foundry and Rolling Mill	مَسْبِك الحَدِيد وَ مَآكِينَة الدَلْفَنَة	38 steel grit or sand delivery pipe	أَنْبُوب تصريف رُوسِب الصَّبِّ أَوْ الرَمَل	75 10 mm shearing train	حَصِيرَة قَص 10 م م		
1-45 iron foundry	مَسْبِك الحَدِيد	39 rotary-table shot-blasting machine	مَآكِينَة سَعْف بِالمَسَاحِيق الحَاكِمَة مَزُودَة بِحَصِيرَة دَوَّارَة				
1-12 melting plant	مَعْمَل الصَّهْر						
1 cupola furnace (cup-ola), a melting furnace	فَرْن الدَّسْت (كِيُوبِلَا)، فَرْن الصَّهْر						

رأس سهم
خط القطاع
القطاع أ-ب
سلم مظل
خط المركز
لوحة بيانات الملكية
بيانات فنية
مسطرة
مسطرة مثقبة
شبلونة مسح
خرطوش حبر الرسم
مقلعة أقلام الرسم الأثيوبية
مجموعة من أقلام الرسم الأثيوبية
هيجرومتر
غطاء موضح عليه حجم سن القلم
مبخاة على شكل قلم
رصاص
مبخاة
سكين منح
نمّل سكين المنحو
قلم رصاص ذو قبابض
رصاص القلم
مبخاة زجاجية
ألياف زجاجية
قلم تسطير
وصلة قاطعية
قرص دليلي
فِرْجَار ذو ملحقات تبادلية
رأس الفِرْجَار
وصلة الطرف الإبري
وصلة طرف قلم الرصاص
إبرة، دبوس
ذراع استقالة
وصلة قلم التسطير
فِرْجَار مضخي
مكبس
وصلة قلم التسطير
وصلة القلم الرصاص
مدوّاة حبر الرسم
فِرْجَار ذو نابض
مفصل حلقة النابض
وصلة الرسم الدقيق
المحمولة على نابض لرسم الأفواس
إبرة قائمة الزاوية
وحدة حبر أثيوبية
مسطرة حروف الاستنسل
لوح الدوائر

عمود دوران التفريز الأفقي
دعامة طُرْفِيَّة لتثبيت عمود دوران التفريز الأفقي
ذُكْر لُوْبِيَّة كَبِيَّة
روبوت مفصلي، روبوت صناعي (إنسان آلي)
لوح القاعدة
عمود دوّار (محور قاعدة دوّار)
مفصل الكتف
العَضد
مفصل مرفعي
ساعد أثيوبوي
مفصل رسغي
شفة تركيب القابض
القابض
أصابع
روبوت قائم (روبوت ذو محور طولي، روبوت مستقيم)
روبوت باي (روبوت قنطري)
مَكْتَبُ الرَّسْمِ الْهِنْدِيْسِي
لوحة الرسم
جهاز رسم ذو حركة متوازية
مقبض الضبط والتعديل
رأس الرسم (زاوية قائمة قابلة للتعديل)
ألية ضبط لوحة الرسم
طاولة الرسم
زاوية قائمة (مثلث)
مثلث
مسطرة ثنائية
رسم سطوي (ملغوف)
رسم تخليطي
جدول زمني
حامل ورق الرسم
لفه ورق
نمّل قطع الورق
رسم فني (تصميم)
منظر أمامي
منظر جانبي
تمثيل تخليطي
سطح لا يصنع ألباً
سطح يصنع ألباً
سطح يتم تشبيهه تشبيهاً فاحراً
حافة مرئية
حافة غير مرئية
خط البعد

32 horizontal milling spindle
33 end support for steady-ing horizontal spindle
34 machine tap
35 articulated robot, an industrial robot
36 base plate
37 rotating column (base rotating axis)
38 shoulder joint
39 upper arm
40 elbow joint
41 tubular forearm
42 wrist joint
43 gripper mounting flange
44 gripper
45 fingers
46 upright robot (linear-axis robot, rectilinear robot)
47 portal robot (gantry robot)
151 Drawing Office
1 drawing board
2 drafting machine with parallel motion
3 adjustable knob
4 drawing head (adjustable set square)
5 drawing board adjustment
6 drawing table
7 set square (triangle)
8 triangle
9 T-square (tee-square)
10 rolled drawing
11 diagram
12 time schedule
13 paper stand
14 roll of paper
15 cutter
16 technical drawing (drawing, design)
17 front view (front elevation)
18 side view (side elevation)
19 plan
20 surface not to be machined
21 surface to be machined
22 surface to be super-finished
23 visible edge
24 hidden edge
25 dimension line

مُدْرَج القياس
كشبيان مدرج
إطار
عمود دوران
قَدَمَة ذات وَرْمِيَّة
مِسْطَرَة وَصَلَة معيار العمق
مقياس وَرْمِي
فَكَان خارجيان
فَكَان داخليان
معيار عمق وَرْمِي
آلات الوردش (2)
جلاخة عامة
غَرَاب ثابت
مُزَلِّقَة رأس العجلة (لتركيب قرص التخليج)
عجلة تخليج
غَرَاب متحرك
فُرْشَة الجلاخة
صينيّة الجلاخة
مقسطة غَرَبَة ذات قاشمين
مُحَرِّك الإدارة
قائم
صينيّة المقسطة
مُزَلِّقَة عرضية (مَجْرَى أفقي)
مربط القلم
مبشّار معادن
نبيطة ربط
نصل المبشّار
إطار المبشّار
مأكيكة تقب نصف قطرية (مأكيكة تثقيب دف)
قاعدة (لوح القاعدة)
كثّة ارتكاز قطعة الشغل
عمود
مُحَرِّك رفع
عمود دوران المنقب
ذراع الكنتيفة
مأكيكة تفريز عامة
صينيّة مأكيكة التفريز
إدارة تغذية الصينيّة
ذراع ضبط سرعة عمود الدوران
مُزَلِّقَة التحكم (وحدة التحكم)
عمود دوران التفريز
الرأسي
رأس الإدارة الرأسية

63 measuring scale
64 graduated thimble
65 frame
66 spindle (screwed spindle)
67 vernier calliper (caliper) gauge (Am. gage)
68 depth gauge (Am. gage) attachment rule
69 vernier scale
70 outside jaws
71 inside jaws
72 vernier depth gauge (Am. gage)
150 Machine Tools II
1 universal grinding machine
2 headstock
3 wheelhead slide
4 grinding wheel
5 tailstock
6 grinding machine bed
7 grinding machine table
8 two-column planing machine (two-column planer)
9 drive motor, a direct current motor
10 column
11 planer table
12 cross slide (rail)
13 tool box
14 hacksaw
15 clamping device
16 saw blade
17 saw frame
18 radial (radial-arm) drilling machine
19 bed (base plate)
20 block for workpiece
21 pillar
22 lifting motor
23 drill spindle
24 arm
25 universal milling machine
26 milling machine table
27 table feed drive
28 switch lever for spindle rotation speed
29 control box (control unit)
30 vertical milling spindle
31 vertical drive head

عمود عكس الحركة اليمنى واليسرى والتعقيق والفصل
ظرف ذو أربعة فكوك
فك قبابض
ظرف ذو ثلاثة فكوك
مُزَلِّقَة بُرْمِيَّة
مُزَلِّقَة مستعرضة
برج
ماسك أقلام قطع موثلف
مُزَلِّقَة علوية
عجلة نخيية
صينيّة المبرّد لتجميع المحلول المبرّد والخراطة
أقلام المخرطة
حامل قلم قطع خاص
بأسنان القلم القابلة للضبط
سن قطع قابل للضبط
مصنوع من كربيد سمنت أو سيراميك أكسيدي
أشكال أسنان من السيراميك الأكسيدي القابلة للضبط
عدة مخرطة ذات حافة قطع من الكربيد السمنت
ساق القلم
سن قطع كربيدي سمنت ملحوم بالنحاس
قلم تسوية الأوجه الداخلية للشغل الزاوي
قلم مخرطة للأغراض العامة
عدة قطع، قلم قطعية
حامل (كلّية المخرطة)
مدور (كلّية المخرطة)
آلات القياس
محدد قياس سداوي (القياس الثقوب)
ظرف قياس سماحي
ظرف قياس لا سماحي
قَدَمَة آلة قياس ذات فكين
الجانب السماحي
الجانب اللاسماحي
ميكرومتر

34 reverse shaft for right and left hand motion and engaging and dis-engaging
35 four-jaw chuck (four-jaw independent chuck)
36 gripping jaw
37 three-jaw chuck (three-jaw self-centring, Am. self-centering, chuck)
38 turret lathe
39 cross slide
40 turret
41 combination toolholder (multiple turning head)
42 top slide
43 star wheel
44 coolant tray for collecting coolant and swarf
45-53 lathe tools
45 tool bit holder (clamp tip tool) for adjustable cutting tips
46 adjustable cutting tip (clamp tip) of cemented carbide or oxide ceramic
47 shapes of adjustable oxide ceramic tips
48 lathe tool with cemented carbide cutting edge
49 tool shank
50 brazed cemented carbide cutting tip (cutting edge)
51 internal facing tool (boring tool) for corner work
52 general-purpose lathe tool
53 parting (parting-off) tool
54 lathe carrier
55 driving (driver) plate
56-72 measuring instruments
56 plug gauge (Am. gage)
57 'GO' gauging (Am. gaging) member (end)
58 'NOT GO' gauging (Am. gaging) member (end)
59 calliper (caliper, snap) gauge (Am. gage)
60 'GO' side
61 'NOT GO' side
62 micrometer

الزهر ،
م. رحه التوراة

154 Nuclear Energy

- 1 fast-breeder reactor (fast breeder) [diagram]
- 2 primary circuit (primary loop, primary sodium system)
- 3 reactor
- 4 fuel rods (fuel pins)
- 5 primary sodium pump
- 6 heat exchanger
- 7 secondary circuit (secondary loop, secondary sodium system)
- 8 secondary sodium pump
- 9 steam generator
- 10 cooling water flow circuit
- 11 steam line
- 12 feedwater line
- 13 feed pump
- 14 steam turbine
- 15 generator
- 16 transmission line
- 17 condenser
- 18 cooling water
- 19 nuclear reactor, a pressurized-water reactor (nuclear power plant, atomic power plant)
- 20 concrete shield (reactor building)
- 21 steel containment (steel shell) with air extraction vent
- 22 reactor pressure vessel
- 23 control rod drive
- 24 control rods
- 25 primary coolant pump
- 26 steam generator
- 27 fuel-handling hoists
- 28 fuel storage
- 29 coolant flow passage
- 30 feedwater line
- 31 prime steam line
- 32 manway
- 33 turbogenerator set
- 34 turbogenerator
- 35 condenser
- 36 service building
- 37 exhaust gas stack
- 38 polar crane
- 39 cooling tower, a dry cooling tower
- 40 pressurized-water

الطاقة النووية
مفاعل مولّد سريع [رسم
تخطيطي]
الدائرة الأولية (نظام
الصوديوم الأولي)
المفاعل
مضخة الصوديوم الأولية
(نظام الصوديوم الثانوي)
مبادل حراري
الدائرة الثانوية
مضخة الصوديوم الثانوية
مولّد بخاري
دائرة دفع ماء التبريد
خط البخار
خط مياه التغذية
مضخة التغذية
توربين بخاري
مولّد كهربائي
خط النقل
مكثف
ماء التبريد
المفاعل النووي ، مفاعل
يعمل بالماء المضغوط
(وحدة توليد طاقة نووية)
مبنى خرساني (مبنى
المفاعل)
غلاف من الصلب ذو فتحة
لاستخلاص الهواء
وعاء المفاعل الضغطي
إدارة ذراع التحكم
أذرع التحكم
مضخة المبرد الأولية
مولّد بخاري
مواقع مناولة الوقود
خزان الوقود
مجري تدفق المبرد
خط مياه التغذية
خط البخار الرئيسي
ممر
جهاز مولّد توربيني
مولّد توربيني
مكثف
مبنى الخدمة
ماسورة غاز العادم
مرفأ قطبي
برج التبريد ، برج تبريد
جاف
نظام الماء المضغوط

- 23 high-pressure cylinder
- 24 medium-pressure cylinder
- 25 low-pressure cylinder
- 26 three-phase generator (generator)
- 27 hydrogen cooler
- 28 leakage steam path
- 29 jet nozzle
- 30 turbine monitoring panel with measuring instruments
- 31 automatic voltage regulator
- 32 synchro
- 33 cable box
- 34 conductor
- 35 feed-through terminal (feed-through insulator)
- 36 core
- 37 casing
- 38 filling compound (filler)
- 39 lead sheath
- 40 lead-in tube
- 41 cable
- 42 high voltage cable, for three-phase current
- 43 conductor
- 44 metallic paper (metallized paper)
- 45 tracer (tracer element)
- 46 varnished-cambric tape
- 47 lead sheath
- 48 asphalted paper
- 49 jute serving
- 50 steel tape or steel wire armour (Am. armor)
- 51-62 air-blast circuit breaker, a circuit breaker
- 51 compressed-air tank
- 52 control valve (main operating valve)
- 53 compressed-air inlet
- 54 support insulator, a hollow porcelain supporting insulator
- 55 interrupter
- 56 resistor
- 57 auxiliary contacts
- 58 current transformer
- 59 voltage transformer (potential transformer)
- 60 operating mechanism housing
- 61 arcing horn

أسطوانة ضغط عالٍ
أسطوانة ضغط متوسط
أسطوانة ضغط منخفض
مولّد ثلاثي الأطوار
مبرّد هيدروجيني
مسار البخار المتسرب
مفتّ نافوري
لوحة مراقبة التوربين وبها
آلات قياس
منظّم فولطية الي
سنكرو
صندوق الكيبيل
موصل
طرف تغذية
قلب الملف
غلاف خارجي
مركّب حثو
غلاف سلك التوصيل
أنبوب السلك المستوحب
كيبيل
كيبيل عالي الفولطية لتيار
ثلاثي الأطوار
موصل
ورق معدني
عنصر استشفافي
شريط من الفماش الناعم
الرقيق مطلي بالورنيش
غلاف سلك التوصيل
ورق منسّط
غلاف مقبّر
شريط صلب أو درع معدني
سلكي
قاطع دائرة بالدفع
الهوائي (قاطع دائرة)
خزان هواء مضغوط
صمام التحكم (صمام
التشغيل الرئيسي)
مدخل الهواء المضغوط
عازل إنسادي ، عازل
إنسادي أجوف من
البورسلين
قاطع التيار
مقارم
ملاصحات منسّعة
محول التيار
محول الفولطية
مبيت آلية التشغيل
قاطع التيار
قوتة إنكاء القوس

- turbogenerator unit
- 37 cross arm (traverse)
- 38 strain insulator
- 39 mobile (transportable) transformer (power transformer, transformer)
- 40 transformer tank
- 41 bogie (Am. truck)
- 42 oil conservator
- 43 primary voltage terminal (primary voltage bushing)
- 44 low-voltage terminals (low-voltage bushings)
- 45 oil-circulating pump
- 46 oil cooler
- 47 arcing horn
- 48 transport lug
- 153 Power Plant (Power Station) II
- 1-8 control room
- 1-6 control console (control desk)
- 1 control board (control panel) for the alternators
- 2 master switch
- 3 signal light
- 4 feeder panel
- 5 monitoring controls for the switching systems
- 6 controls
- 7 revertive signal panel
- 8 matrix mimic board
- 9-18 transformer
- 9 oil conservator
- 10 breather
- 11 oil gauge (Am. gage)
- 12 feed-through terminal (feed-through insulator)
- 13 on-load tap changer
- 14 yoke
- 15 primary winding (primary)
- 16 secondary winding (secondary, low-voltage winding)
- 17 core
- 18 tap (tapping)
- 19 transformer connection
- 20 star connection (star network, Y-connection)
- 21 delta connection (mesh connection)
- 22 neutral point
- 23-30 steam turbine, a
- برج صلب تشابكي
ذراع تصالبي
عازل صامد للشد (انفعالي)
محول نقال
خزان المحول
عربة نقل منخفضة
حافطة الزيت
طرف توصيل الفولطية
الأولية
أطراف توصيل الفولطية
المنخفضة
مضخة تدوير الزيت
مبرد الزيت
قوتة إنكاء القوس
الكهربائي
وصلة الجر بسيارة
محطة توليد الطاقة
(2)
غرفة التحكم
كونسول التحكم
لوحة التحكم الخاصة
بمولدات التيار المتناوب
المفتاح الرئيسي
ضوء إرشادي
لوحة التغذية
مصابيح المراقبة الخاصة
بأنظمة التحويل
مصابيح/مفاتيح التحكم
لوحة الإشارات المرئنة
لوحة المحاكاة الأم
المحول
حافطة الزيت
فتحة تنفيس
مقياس الزيت
طرف تغذية
مقبّر التفرغ
مقرن اللغائف المنعطف
اللفيفة الابتدائية
اللفيفة الثانوية (لفيفة
منخفضة الفولطية)
قلب الملف
مأخذ تفرغ ، نقطة التفرغ
توصيلة المحول
توصيلة نجمية
توصيلة دلتا/ثلاثية
نقطة التعادل/العطالة
التوربين البخاري

- 71 ellipse template
- 152 Power Plant (I) (Power Station)
- 1-28 steam-generating station, an electric power plant
- 1-21 boiler house
- 1 coal conveyor
- 2 coal bunker
- 3 travelling-grate (Am. traveling-grate) stoker
- 4 coal mill
- 5 steam boiler, a water-tube boiler (radiant-type boiler)
- 6 burners
- 7 water pipes
- 8 ash pit (clinker pit)
- 9 superheater
- 10 water preheater
- 11 air preheater
- 12 gas flue
- 13 electrostatic precipitator
- 14 induced-draught (Am. induced-draft) fan
- 15 chimney (smokestack)
- 16 de-aerator
- 17 feedwater tank
- 18 boiler feed pump
- 19 control room
- 20 cable tunnel
- 21 cable vault
- 22 turbine house
- 23 steam turbine with alternator
- 24 surface condenser
- 25 low-pressure preheater
- 26 high-pressure preheater (economizer)
- 27 cooling water pipe
- 28 control room
- 29-35 outdoor sub-station, a substation
- 29 busbars
- 30 power transformer, a mobile (transportable) transformer
- 31 stay poles (guy poles)
- 32 high-voltage transmission line
- 33 high-voltage conductor
- 34 air-blast circuit breaker (circuit breaker)
- 35 surge diverter (Am. lightning arrester, arrester)
- 36 overhead line support,

لوح الرسم الإهليلجي
محطة توليد الطاقة
(1)
محطة توليد البخار ،
محطة طاقة كهربائية
مبنى المرجل
سير نقل الفحم
مستودع الفحم
وقاد الي ذو مصبغة
متحركة
طاحونة الفحم
مرجل بخاري
مواقد
أنابيب الماء
خفرة الرماد
سخان فوقي
سخان ماء متقدّم
سخان هواء متقدّم
مدخنة تصريف الغاز
مرسب الكروتوستاتي
مروحة سحب مستحث
مدخنة
وعاء نزع الهواء
خزان ماء التغذية
مضخة تغذية المرجل
غرفة التحكم
نفق الكيبيلات
قبو الكيبيلات
مبيت التوربين
توربين بخاري ذو مولد
للتيار المتناوب
مكثف سطحي
سخان متقدّم منخفض
الضغط
سخان متقدّم عالي الضغط
ماسورة ماء التبريد
غرفة التحكم
محطة فرعية خارجية
موصلات عمومية
محول طاقة نقال
قضبان تثبيت
خط نقل كهربائي عالي
الفولطية
موصل عالي الفولطية
قاطع الدائرة الكهربائية
بالدفع الهوائي
واقية صواعق
حامل الخطوط الهوائية ،

sulphide wet collector)	جهاز غسل الغاز من الأمونيا
23 ammonia scrubber (ammonia wet collector)	جهاز غسل الغاز من البنزين
24 benzene (benzol) scrubber	خزان الغاز
25 gas holder	ضواغط الغاز
26 gas compressor	زراع البنزول بواسطة مبرّد ومبادل حراري
27 debenzoling by cooler and heat exchanger	زراع كبريت غاز الضغط
28 desulphurization (<i>Am.</i> desulfurization) of pressure gas	تبريد الغاز
29 gas cooling	تجفيف الغاز
30 gas drying	عداد الغاز
31 gas meter	خزان القار الخام
32 crude tar tank	إمداد حامض الكبريتيك
33 sulphuric acid (<i>Am.</i> sulfuric acid) supply	إنتاج حامض الكبريتيك
34 production of sulphuric acid (<i>Am.</i> sulfuric acid)	إنتاج كبريتات الأمونيوم
35 production of ammonium sulphate (<i>Am.</i> ammonium sulfate)	كبريتات الأمونيوم
36 ammonium sulphate (<i>Am.</i> ammonium sulfate)	وحدة استرجاع غزائم الفسيل
37 recovery plant for recovering the scrubbing agents	تصريف الماء الفائض/ المهوّد
38 waste water discharge	استخلاص الفينول من ماء الغاز
39 phenol extraction from the gas water	خزان الفينول الخام
40 crude phenol tank	إنتاج البنزول الخام (البنزين الخام)
41 production of crude benzol (crude benzene)	خزان البنزول الخام (البنزين الخام)
42 crude benzol (crude benzene) tank	خزان زيت الفسيل
43 scrubbing oil tank	خط الغاز الرئيسي منخفض الضغط
44 low-pressure gas main	خط الغاز الرئيسي عالي الضغط
45 high-pressure gas main	
157 Sawmill	المششرة
1 sawmill	المششرة
2 vertical frame saw	منشار إطارى قائم
(<i>Am.</i> gang mill)	(مجموعة متشابهي جماعية)
3 saw blades	أضراس المناشير
4 feed roller	دافعين الإنقاص
5 guide roller	دافعين داللي
6 fluting (grooving, grooves)	خُدود طولية
7 oil pressure gauge (<i>Am.</i> gage)	مقياس ضغط الزيت
8 saw frame	إطار المناشير
9 feed indicator	مؤشر الإنقاص
10 log capacity scale	مقياس سعة جذع الشجرة

غطاء زجاجي	خلية شمسية	مسآك الهواء	طبقة عازلة	وحدة قدرة من جزئية (مخطة توليد قدرة تعمل بطاقة المد والجزر) [قطاع] سد	توربين انعكاسي	فتحة دخول ماء البحر إلى التوربين	فتحة دخول ماء الحوض إلى التوربين	وحدة توليد الطاقة بالرياح (مولد هوائي)	برج جملوني	سلك شداد	مروحة، رفأص	مولد ذو خطوة متبادلة لتنظيم الطاقة	وحدة التوكوك	وحدة التوكوك	إفراغ فحم التوكوك	سير نقال	مستودع المزج	سير نقل صومعة الفحم	صومعة الفحم	عربة شحن الفرون	آلية دفع فحم الكوك	بطارية أفران الكوك	دليل الكوك	عربة نقل الكوك لإطفائه	برج إطفاء الكوك	رصيف تحميل الكوك	سير رصيف الكوك	عربة كحل الفحم و تراب الفحم	تحميل الكوك	معالجة غاز فرون الكوك	تصريف الغاز من أفران الكوك	الخط الرئيسي لتجميع الغاز	استخلاص قار الكوك	مبرد الغاز	جهاز ترسيب الكروستاتي	فرازة الغاز	جهاز غسل الغاز من كبريتيد الهيدروجين
------------	------------	-------------	------------	---	----------------	----------------------------------	----------------------------------	--	------------	----------	-------------	------------------------------------	---------------------	--------------	-------------------	----------	--------------	---------------------	-------------	-----------------	--------------------	--------------------	------------	------------------------	-----------------	------------------	----------------	-----------------------------	-------------	-----------------------	----------------------------	---------------------------	-------------------	------------	-----------------------	-------------	--------------------------------------

solar cell	33 glass cover	34 solar cell	35 air ducts	36 insulation	37 tidal power plant [section]	38 dam	39 reversible turbine	40 turbine inlet for water from the sea	41 turbine inlet for water from the basin	42 wind power plant (wind generator, aero-generator)	43 truss tower	44 guy wire	45 rotor	46 generator with variable pitch for power regulation	156 Coking Plant	1-15 coking plant	1 dumping of coking coal	2 belt conveyor	3 blending bunker	4 service bunker conveyor	5 service bunker	6 larry car (larry, charging car)	7 pusher ram	8 battery of coke ovens	9 coke guide	10 quenching car, with engine	11 quenching tower	12 coke loading bay (coke wharf)	13 coke wharf conveyor	14 screening of coke and breeze	15 coke loading	16-45 coke-oven gas processing	16 discharge (release) of gas from the coke ovens	17 gas-collecting main	18 coal tar extraction	19 gas cooler	20 electrostatic precipitator	21 gas extractor	22 hydrogen sulphide (<i>Am.</i> hydrogen sulfide) scrubber (hydrogen
------------	----------------	---------------	--------------	---------------	--------------------------------	--------	-----------------------	---	---	--	----------------	-------------	----------	---	-------------------------	--------------------------	--------------------------	-----------------	-------------------	---------------------------	------------------	-----------------------------------	--------------	-------------------------	--------------	-------------------------------	--------------------	----------------------------------	------------------------	---------------------------------	-----------------	---------------------------------------	---	------------------------	------------------------	---------------	-------------------------------	------------------	--

الرصاصي	غرفة تخزين	برميل يحتوى على نفايات مشعة	كاميرا تلفزيونية	غرفة الشحن	لوحة التحكم	جهاز تهوية صاعد	حاوية مدرعة	مستوى 490 م	مصادر الطاقة الحديثة	نظام المضخة الحرارية	مدخل ماء المنبع	المبادل الحراري لماء التبريد	ضاغط	محرك يعمل بالغاز الطبيعي أو الديزل	مبخر	صمام إعتاق الضغط	مكثف	المبادل الحراري لغاز العادم	أنبوب الدفق	أنبوب تفتيس	مبخنة	مرجل	مروحة	مشعاع	بالوعة	استغلال الطاقة الشمسية	مبنى شمسي (يتم تدفئته بالطاقة الشمسية)	إشعاع شمسي	مجمع الإشعاع الشمسي	الخزان الساخن	مصدر إمداد طاقة	مضخة حرارية	مخرج الماء	مصدر إمداد الهواء	مصرف الغازات، مبخنة	مصدر إمداد الماء الساخن	تسخين المشعاع	مجمع إشعاع شمسي منسطح الصفائح	سطح مستقبل مطلي باللون الأسود ذو رقاعة المونيوم منسقة	أنبوب من الصلب	سائل نقل الحرارة	مجمع إشعاع شمسي منسطح	الصفائح ذو خلية شمسية
---------	------------	-----------------------------	------------------	------------	-------------	-----------------	-------------	-------------	-----------------------------	----------------------	-----------------	------------------------------	------	------------------------------------	------	------------------	------	-----------------------------	-------------	-------------	-------	------	-------	-------	--------	------------------------	--	------------	---------------------	---------------	-----------------	-------------	------------	-------------------	---------------------	-------------------------	---------------	-------------------------------	---	----------------	------------------	-----------------------	-----------------------

76 storage chamber	77 drum containing radioactive waste	78 television camera	79 charging chamber	80 control desk (control panel)	81 upward ventilator	82 shielded container	83 490 m level	155 Modern Sources of Energy	1 heat pump system	2 source water inlet	3 cooling water heat exchanger	4 compressor	5 natural-gas or diesel engine	6 evaporator	7 pressure release valve	8 condenser	9 waste-gas heat exchanger	10 flow pipe	11 vent pipe	12 chimney	13 boiler	14 fan	15 radiator	16 sink	17-36 utilization of solar energy	17 solar (solar-heated) house	18 solar radiation (sun-light, insolation)	19 collector	20 hot reservoir (heat reservoir)	21 power supply	22 heat pump	23 water outlet	24 air supply	25 fluc	26 hot water supply	27 radiator heating	28 flat plate solar collector	29 blackened receiver surface with asphalted aluminium (<i>Am.</i> aluminium) foil	30 steel tube	31 heat transfer fluid	32 flat plate solar collector, containing
--------------------	--------------------------------------	----------------------	---------------------	---------------------------------	----------------------	-----------------------	----------------	-------------------------------------	--------------------	----------------------	--------------------------------	--------------	--------------------------------	--------------	--------------------------	-------------	----------------------------	--------------	--------------	------------	-----------	--------	-------------	---------	--	-------------------------------	--	--------------	-----------------------------------	-----------------	--------------	-----------------	---------------	---------	---------------------	---------------------	-------------------------------	---	---------------	------------------------	---

system	مفاعل	41 reactor	42 primary circuit (primary loop)	43 circulation pump (recirculation pump)	44 heat exchanger (steam generator)	45 secondary circuit (secondary loop, feed-water steam circuit)	46 steam turbine	47 generator	48 cooling system	49 boiling water system [diagram]	50 reactor	51 steam and recirculation water flow paths	52 steam turbine	53 generator	54 circulation pump (recirculation pump)	55 coolant system (cooling with water from river)	56 radioactive waste storage in salt mine	57-68 geological structure of abandoned salt mine converted for disposal of radioactive waste (nuclear waste)	57 Lower Keuper	58 Upper Muschelkalk	59 Middle Muschelkalk	60 Lower Muschelkalk	61 Bunter downthrow	62 residue of leached (lixiviated) Zechstein (Upper Permian)	63 Aller rock salt	64 Leine rock salt	65 Stassfurt seam (potash salt seam, potash salt bed)	66 Stassfurt salt	67 grenzanhydrite	68 Zechstein shale	69 shaft	70 minehead buildings	71 storage chamber	72 storage of medium-active waste in salt mine	73 511 m level	74 protective screen (anti-radiation screen)	75 lead glass window
--------	-------	------------	-----------------------------------	--	-------------------------------------	---	------------------	--------------	-------------------	-----------------------------------	------------	---	------------------	--------------	--	---	---	--	-----------------	----------------------	-----------------------	----------------------	---------------------	--	--------------------	--------------------	---	-------------------	-------------------	--------------------	----------	-----------------------	--------------------	--	----------------	--	----------------------

160 Cement Works (Cement Factory)

- 1 raw materials (lime-stone, clay, and marl) مواد خام (حجر جيرى وطفال وطين جيرى)
- 2 hammer crusher (hammer mill) كَسَّارَةٌ مطرقة
- 3 raw material store مَخَزَنُ المواد الخام
- 4 raw mill for simultaneously grinding and drying the raw materials with exhaust gas from the heat exchanger طاحونة الخام لطحن وتجفيف المواد الخام في آن واحد مع غاز العادم المنبعث من المبادل الحراري
- 5 raw meal silos صوامع الجيريش الخام
- 6 heat exchanger (cyclone heat exchanger) مبادل حراري
- 7 dust collector (an electrostatic precipitator) for the heat exchanger exhaust جهاز ترسيب غبار عادم المبادل الحراري الناتج عن طاحونة الخام
- 8 rotary kiln قَمِين دَوَّار
- 9 clinker cooler مَبْرَد مخلفات الاحتراق
- 10 clinker store مَخَزَنُ مخلفات الاحتراق
- 11 primary air blower نافع هوائي أولي
- 12 cement-grinding mill وَحْدَةٌ طحن الأَسْمَنْتِ
- 13 gypsum store مَخَزَنُ الجبس (الجبص)
- 14 gypsum crusher كَسَّارَةٌ الجبس (الجبص)
- 15 cement silo صَوْمَعَةٌ أَسْمَنْتِ
- 16 cement-packing plant وَحْدَةٌ تعبئة الأَسْمَنْتِ

161 Porcelain and China Manufacture

- 1 grinding cylinder (ball mill) for the preparation of the raw material in water طاحونة بَيَكْرَاتٍ لتجهيز المواد الخام في الماء
- 2 sample sagger (saggar, seggar), with aperture for observing the firing process صَفْرُوق عَيَاتِ دو نَقَب لملاحظة عملية الإشتعال
- 3 bottle kiln (beehive kiln) [diagram] قَمِين قَبِينِي الشَّكْل [رَسْم تخطيطي]
- 4 firing mould (Am. mold) صَفْرُوق الإشتعال
- 5 tunnel kiln قَمِين نَقَبِي الشَّكْل
- 6 Seger cone (pyrometric cone, Am. Orton cone) for measuring high temperatures مَخْرُوط "سِجَر" (مَخْرُوط المقياس الحراري) لقياس درجات الحرارة المرتفعة
- 7 de-airing pug mill (de-airing pug press), an extrusion press خَلَّاط مَلَّاط يَعْمَل بِنَزَع الهَوَاء
- 8 clay column عمود الطين
- 9 thrower throwing a ball (bat) of clay عَزَّاف، عامل تشكيل الطين
- 10 slug of clay يَشْكَل كُرَّةً طِينِيَّةً كتلة طين
- 11 turntable; sim.: potter's عَجَلَةُ الخَزَّاف، صينيَّة

- 11 auxiliary carriage المَعَدُّ للَشَّار
- 12 carriage عَرَبَةٌ مساعِدة
- 13 log grips كَلَابَات تثبيت جَذَع الشَّجَرَة
- 14 remote control panel لَوْحَة التَّحْكَمِ عَن بَعْد
- 15 carriage motor مَوْتور العَرَبَة
- 16 truck for splinters (splints) عَرَبَةٌ لِحَمْلِ الشَّظَايَا
- 17 endless log chain (Am. jack chain) سَلْسَلَة متواصلة لدفع جذوع الشجر
- 18 stop plate مَصَدُّ الشَّجَر
- 19 log-kicker arms أَذْرُع دَفْع جَذوع الشَّجَر
- 20 cross conveyor سَبْر نَقَال مَتَعَاكِس
- 21 washer (washing machine) مَأْكِيَّة غَسِيل
- 22 cross chain conveyor سَبْر نَقَال مَتَعَاكِس بِسَلْسِلَة
- 23 roller table لِنَقْل الخَشَبِ المَنْشُور
- 24 undercut swing saw نَعْد الدَلَّافِين
- 25 piling مَشَّار دَوَّار لِلقَطْع السفلي
- 26 roller trestles تَكْوِيم الأَلْوَا ح
- 27 gantry crane حَامِل دَلْفِينِي
- 28 crane motor مِرْفَاع قَطْرِي مَتَّحَرَك
- 29 pivoted log grips مَوْتور المِرْفَاع
- 30 roundwood (round timber) كَلَابَات مَحْرُورَة لِمْسَك جَذوع الشَّجَر
- 31 log dump خَشَب مَسْتَدِير المَقَطَّع
- 32 squared timber store كَوْمَة جَذوع أَشْجَار
- 33 sawn logs مَخَزَنُ الخَشَبِ المَسْوِي
- 34 planks جَذوع أَشْجَار مَشَّورَة
- 35 boards (planks) أَلْوَا ح خَشْبِيَّة تَحْيِيَّة
- 36 squared timber أَلْوَا ح خَشْبِيَّة
- 37 stack bearer خَشَب مَرَبَع المَقَطَّع (مَسْوِي)
- 38 automatic cross-cut chain saw حَامِل الرِّصَة
- 39 log grips مَشَّار سَلْسِلَة آلِي لِلقَطْع
- 40 feed roller المَتَعَارِض
- 41 chain-tensioning device كَلَابَات تثبيت جَذَع الشَّجَرَة
- 42 saw-sharpening machine دَلْفِين الإلْقَام
- 43 grinding wheel (teeth grinder) جِهَاز شَد السَلْسِلَة
- 44 feed pawl مَأْكِيَّة شَحْد أَشْنَان المَشَّار
- 45 depth adjustment for the teeth grinder عَجَلَة تَلْجِيح (لِأَسْنَان المَشَّار)
- 46 lifter (lever) for the grinder chuck لَسِين الإلْقَام
- 47 holding device for the saw blade ذِرَاع تَعْدِيل عَمق مَأْكِيَّة شَحْد أَشْنَان المَشَّار
- 48 horizontal bandsaw for sawing logs ذِرَاع فَطَّرَف الخَلَاخَة
- 49 height adjustment جِهَاز تثبيت نَعْل المَشَّار
- 50 chip remover مَشَّار شَرِيطِي أَفْقِي لِشَر
- 51 chip extractor جَذوع الشَّجَر
- 52 carriage آلِيَّة تَعْدِيل الارتفاع
- 53 bandsaw blade أداة إِزَالَة القَشُور
- 54 automatic blocking saw مَشَّار طَرْد القَشُور/النحاتة
- 55 feed channel عَرَبَة

- 56 discharge opening فَحْجَة خُرُوج الخَشَب
- 57 twin edger (double edger) مَشَّار دَاثَرِي مَزْدُوح لِقَطْع الخَزَّاف
- 58 breadth scale (width scale) مَقْيَاس عَرْض الخَشَب
- 59 kick-back guard (plates) وِقَاء الارتفاع
- 60 height scale مَقْيَاس الارتفاع
- 61 in-feed scale مَقْيَاس الإلْقَام
- 62 indicator lamps لمببات إرشادية
- 63 feed table طابلية الإلْقَام
- 64 undercut swing saw مَشَّار دَوَّار لِلقَطْع السفلي
- 65 automatic hold-down with protective hood أداة تثبيت آلِيَّة ذات غطاء واقٍ
- 66 foot switch مَفْتَا ح تَشغِيل سفلي
- 67 distribution board لَوْحَة التوزيع
- 68 length stop حاجز الطول، مَصَدُّ

158 Quarry

- 1 quarry, an open-cut working المَحْجَر
- 2 overburden المَحْجَر، مَحْجَر مَكْتُوف
- 3 working face العطاء الصخري/ الترابي
- 4 loose rock pile (blasted rock) سَطْح الشغل
- 5 quarryman (quarrier), a quarry worker كَوْمَة صَخُور سَائِيَة
- 6 sledge hammer عَامِل المَحْجَر
- 7 wedge مِرْزَبَة
- 8 block of stone إِسْفِين
- 9 drillor كتلة من الحجر
- 10 safety helmet حفار، نَقَاب
- 11 hammer drill (hard-rock drill) خُوْدَة أَمَان
- 12 borehole مَبْرُوقَة نَقَب (مَتَقَاب صَخُور)
- 13 universal excavator نَقَب الحَفَر
- 14 large-capacity truck خَفَّارَة عَامَة الأَعْرَاض
- 15 rock face شَاحِنَة كَبِيرَة الحَمُولَة
- 16 inclined hoist وَاجِهَة صَخْرِيَّة
- 17 primary crusher مِرْفَع مَائِل
- 18 stone-crushing plant كَسَّارَة أَوَّلِيَّة
- 19 coarse rotary (gyratory) crusher; sim.: fine rotary (gyratory) crusher كَسَّارَة لِقَافَة لِالخَام بِالمثل كَسَّارَة لِقَافَة لِخَام الناعم
- 20 hammer crusher كَسَّارَة مطرقة/صدمية
- 21 vibrating screen غَرْبَال هَرَّاز
- 22 screenings (fine dust) نَفَايَة الغريلة (تراب ناعم)
- 23 stone chippings نَحَاة صَخْرِيَّة
- 24 crushed stone خَبْر مَهْمَم
- 25 shot firer عامل التفجير، مُشْعِل المِلْقَة
- 26 measuring rod خَضْبِيب قِيَاس
- 27 blasting cartridge خَرطُوس مَقْتَجِر
- 28 fuse (blasting fuse) فَيْوُز تَقْمِير
- 29 plugging sand (stemming sand) bucket دَلُو رَمَال حِشْو
- 30 dressed stone حَجَر مَشْكَل

- 31 pick صَافُور
- 32 crowbar (pinch bar) عَعْلَة
- 33 fork شُوكَة
- 34 stonemason البَنَّاء (بِالْحِجَارَة)
- 35-38 stonemason's tools أدوات البَنَّاء بِالْحِجَارَة
- 35 stonemason's hammer مطرقة البَنَّاء
- 36 mallet مَدْفَة
- 37 drove chisel (drove, booster, broad chisel) أَزْمِيل عَرِيض لِلنحت
- 38 dressing axe (Am. ax) بَلْمَة تَهْدِيب

159 Brickworks (Brickyard, Brickfield)

- 1 clay pit خَفْرَة الطين/ الطفال
- 2 loam, an impure clay (raw clay) طفال رملِي (طين خام)
- 3 overburden excavator, a large-scale excavator حَفَّارَة العطاء الترابي
- 4 narrow-gauge (Am. narrow-gage) track system مَسَّار سَكَة حديدية ضيقة
- 5 inclined hoist مِرْفَاع مَائِل
- 6 souring chambers عُرْف الحامض
- 7 box feeder (feeder) وَحْدَة الإلْقَام صندوقية
- 8 edge runner mill (edge mill, pan grinding mill) رَحِي ذات حجر عمودي
- 9 rolling plant وَحْدَة الدَلَّافِين
- 10 double-shaft trough mixer (mixer) خَلَّاط ذو مَجْرَى لَه عمودين (خَلَّاط)
- 11 extrusion press (brick-pressing machine) مَأْكِيَّة كَيْس الطُوب
- 12 vacuum chamber حجرة تفريغ
- 13 die قالب التشكيل
- 14 clay column عمود الطفال
- 15 cutter (brick cutter) أداة قطع الطوب
- 16 unfired brick (green brick) طُوب لِينِي (طُوب نَبِي)
- 17 drying shed عَنبر التجفيف
- 18 mechanical finger car (stacker truck) عَرَبَة ترصيص الطوب
- 19 circular kiln (brick kiln) قَمِين دَاثَرِي (قَمِين الطُوب)
- 20 solid brick (building brick) قالب طُوب صلب (طُوب بِنَاء)
- 21-22 perforated bricks قوالب طُوب مَقْبِب
- 21 perforated brick with vertical perforations و قوالب طُوب مَجُوف
- 22 hollow clay block with horizontal perforations طُوب مَقْبِب ذو ثقوب رأسية
- 23 hollow clay block with vertical perforations طُوب مَقْبِب ذو ثقوب أفقية
- 24 floor brick طُوب مَقْبِب ذو ثقوب رأسية
- 25 compass brick (radial brick, radiating brick) طُوب الأَرْضِيَّة
- 26 hollow flooring block طُوب أَشْدَف (البِنَاء المُنْحَنَات)
- 27 paving brick طُوب أرضية مجوف
- 28 cellular brick [for fire- طُوب خَلُوي [للمدقات]

lever	تروس تغيير السرعة
29 variable change-speed gear	صندوق الأسطوانات المخروطية
30 cone drum box	أنزاع إيقاف وبذء جهاز التغذية
31 stop and start levers for the hopper	أسطوانة المناولة الخشبية
32 wooden hopper delivery roller	جهاز التغذية
33 hopper feeder	ماكينة الكرد (ماكينة تسريح)
34 carding machine (card, carding engine)	أسطوانة لاستقبال شريط الكرد
35 card can (carding can), for receiving the coiled sliver	قاعدة الأسطوانة
36 can holder	أسطوانات الضغط
37 calender rollers	شريط كرد
38 carded sliver (card sliver)	منشط الدوفر الرغاش
39 vibrating doffer comb	ذراع التشغيل
40 start-stop lever	كرسي أسطوانة التوليد الدوفر
41 grinding-roller bearing	أسطوانة
42 doffer	منشط الحصائر
43 cylinder	بكر حمل الحصائر
44 flat clearer	الملف
45 flats	مسند الملف
46 supporting pulleys for the flats	محرك إدارة سنور مسطح
47 scutcher lap (carded lap)	عارة الإدارة الرئيسية
48 scutcher lap holder	رسم توضيحي لماكينة الكرد
49 drive motor with flat belt	درقيل تغذية مخدد
50 main drive pulley fast-and-loose drive pulley)	درقيل مسنن (المبتشار)
51 principle of the card (of the carding engine)	الغطاء السفلي للمشار
52 fluted feed roller	الغطاء السفلي للأسطوانة ماكينة التمشيط
53 lick-in (taker-in, lick-in roller)	صندوق تروس الإدارة
54 lick-in undercasing	لغافب معدة للتمشيط
55 cylinder undercasing	أسطوانات الضغط
56 combing machine (comber)	صندوق السحب لماكينة التمشيط
57 drive gearbox (driving gear)	عداد
58 laps ready for combing	المحرك العلوي للملفات
59 calender rollers	رسم توضيحي لماكينة التمشيط
60 comber draw box	اللفافة
61 counter	المقبض السفلي
62 coiler top	المقبض العلوي
63 principle of the comber	المنشط العلوي
64 lap	أسطوانة التمشيط
65 bottom nipper	
66 top nipper	
67 top comb	
68 combing cylinder	

wheel	دوارة	machine, a bottle-making machine	ماكينة صنع الزجاج
12 filter press	مكبس ترشيح	22-37 blowing processes	عمليات نفخ الزجاج
13 filter cake	قالب ترشيح	22 blow-and-blow process	عملية تشكيل الزجاج نفخاً ومضاً
14 jiggering, with a profiling tool; sim.: jollyng	جهاز تثبيت القطع أثناء تشكيلها وبه أداة تشكيل الجانبية	23 introduction of the gob of molten glass	إدخال كتلة الزجاج المنصهر
15 plaster mould (Am. mold) for slip casting	قالب حصن لمصب المترقذ	24 first blowing	النفخ الأول
16 turntable glazing machine	ماكينة تميع ذات صينية دوارة	25 suction	المصن
17 porcelain painter (china painter)	رسام البورسلين (رسام الصيني)	26 transfer from the parison mould (Am. mold) to the blow mould (Am. mold)	النقل من قالب العجينة إلى قالب النفخ
18 hand-painted vase	زهريّة (مزهريّة) مرسومة يدوياً	27 reheating	إعادة التسخين
19 repairer	مصنّع الأشكال المكسورة	28 blowing (suction, final shaping)	النفخ (المصن، التشكيل النهائي)
20 pallet (modelling, Am. modeling, tool)	ظفرة (سكين تشكيل)	29 delivery of the completed vessel	مناولة الإناء المكتمل
21 shards (sherd, potsherd)	شققات من الفخار (قطع خزف مكسورة)	30 press-and-blow process	عملية تشكيل الزجاج كبساً ومضاً
162 Glass Production	إنتاج الزجاج	31 introduction of the gob of molten glass	إدخال كتلة الزجاج المنصهر
1-20 sheet glass production (flat glass production)	إنتاج الواح الزجاج (الزجاج المسطح)	32 plunger	كبّاس
1 glass furnace (tank furnace) for the Fourcault process [diagram]	فرن الزجاج الخاص بطريقة "فوركولت" [رسم تخطيطي]	33 pressing	الكبس
2 filling end, for feeding in the batch (frit)	طرف الإلقاء للتغذية بالعجينة الزجاجية (مسخوق مزجج) مغطس الانصهار	34 transfer from the press mould (Am. mold) to the blow mould (Am. mold)	النقل من قالب العجينة إلى قالب النفخ
3 melting bath	مغطس لتقنية	35 reheating	إعادة التسخين
4 refining bath (fining bath)	مغطس لتقنية	36 blowing (suction, final shaping)	النفخ (المصن، التشكيل النهائي)
5 working baths (working area)	مغطس لتقنية	37 delivery of the completed vessel	مناولة الإناء المكتمل
6 burners	مغطس لتقنية	38-47 glassmaking (glass-blowing, glass-blowing by hand, glass forming)	صنع الزجاج (نفخ الزجاج، نفخ الزجاج يدوياً، تشكيل الزجاج) نافع الزجاج
7 drawing machines	مغطس لتقنية	38 glassmaker (glass-blower)	صانع الزجاج
8 Fourcault glass-drawing machine	مغطس لتقنية	39 blowing iron	أنبوب النفخ
9 slot	مغطس لتقنية	40 gob	كغلة
10 glass ribbon (ribbon of glass, sheet of glass) being drawn upwards	مغطس لتقنية	41 hand-blown goblet	كغلة صغيرة منفوخة يدوياً
11 rollers (drawing rolls)	مغطس لتقنية	42 clappers for shaping the base (foot) of the goblet	مقسطة لتشكيل قاعدة الكغلة
12 float glass process	مغطس لتقنية	43 trimming tool	أداة تشذيب
13 batch (frit) feeder (funnel)	مغطس لتقنية	44 tongs	كلاب، ماسك
14 melting bath	مغطس لتقنية	45 glassmaker's chair (gaffer's chair)	معدن نافع الزجاج
15 cooling tank	مغطس لتقنية	46 covered glasshouse pot	وعاء زجاجي مغطى
16 float bath in a protective inert-gas atmosphere	مغطس لتقنية	47 mould (Am. mold), into which the parison is blown	قالب الصب الذي تنفخ فيه العجينة
17 molten tin	مغطس لتقنية	48-55 production of glass fibre (Am. glass fiber)	إنتاج الألياف الزجاجية
18 annealing lehr	مغطس لتقنية	48 continuous filament process	عملية إنتاج الألياف الزجاجية المستمرة
19 automatic cutter	مغطس لتقنية	49 glass furnace	فرن الزجاج
20 stacking machines	مغطس لتقنية	50 bushing containing molten glass	غلاف يحتوي على زجاج مصهور
21 IS (individual-section)	مغطس لتقنية		

40 indigo dying and sizing machine	ماكينة الصباغة باللون الأزرق والتبويض
41 take-off stand	حامل مأخذ القدرة
42 warp beam	أسطوانة السداء
43 warp	وعاء الترطيب
44 wetting trough	دولفين الضفر
45 immersion roller	دولفين العَصْر
46 squeeze roller (mangle)	دولفين العَصْر
47 dye liquor padding trough	وعاء سائل الصبغة
48 air oxidation passage	مجرى هواء الأكسدة
49 washing trough	وعاء الغسل
50 drying cylinders for pre-drying	أسطوانات التجفيف المبدئي
51 tension compensator (tension equalizer)	موازِن الشد
52 sizing machine	ماكينة التبويض
53 drying cylinders	أسطوانات التجفيف
54 for cotton: stenter; for wool: tenter	ماكينة الشد وضبط العرض
55 beaming machine	ماكينة التسوية المباشرة
56 sized warp beam	أسطوانة سداء مَبْوْشَة
57 rollers	أسطوانات
166 Weaving II	الغَنسِيج (2)
1 weaving machine (automatic loom)	ماكينة النسيج (نول أوتوماتيكي)
2 pick counter (tachometer)	عداد الحداقات
3 shaft (heald shaft, heald frame) guide	دليل الذراع
4 shafts (heald shafts, heald frames)	الذراع
5 rotary battery for weft replenishment	مستودع مواشير اللحمة الدوار
6 sley (sley) cap	غطاء الذف
7 weft pin	ماسورة اللحمة
8 starting and stopping handle	ذراع البدء والإيقاف
9 shuttle box, with shuttles	ذراع الموايك وبداخله الموايك
10 reed	المنشط
11 selvedge (selvage)	برسُل القماش
12 cloth (woven fabric)	القماش المنسوج
13 temple (cloth temple)	التميت
14 electric weft feeler	حساس اللحمة الكهربائي
15 flywheel	الحداقة
16 breast beam board	مشد الصدر
17 picking stick (pick stick)	ذراع القذف
18 electric motor	محرّك كهربائي
19 cloth take-up motion	جهاز طي للقماش
20 cloth roller (fabric roller)	مبطّاة القماش
21 can for empty pirns	صندوق مواشير اللحمة الفارغة
22 lug strap, for moving the picking stick	سيز سحب لتحريك ذراع القذف
23 fuse box	صندوق مَصْهرات/ فيوزات

69 plain part of the cylinder	جزء أمّس بأسطوانة التمشيط
70 needed part of the cylinder	أسنان المنط الإبرية بالأسطوانة
71 detaching rollers	درافيل الفصل
72 carded and combed sliver	الحامة المنشطة
164 Cotton Spinning II	غَزْل القطن (2)
1 draw frame	ماكينة السحب
2 gearbox with built-in motor	صندوق التروس المتصل بالمحرك المبيت
3 sliver cans	أسطوانات الشريط
4 broken thread detector roller	أسطوانة كشّاف انقطاع الخيط
5 doubling of the slivers	تجميع الشرائط
6 stopping handle	يد الإيقاف
7 draw frame cover	غطاء ماكينة السحب
8 indicator lamps (signal lights)	مصابيح إرشادية
9 simple four-roller draw frame (diagram)	رسم توضيحي لماكينة سحب ذات أربع أسطوانات الأسطوانات السفلية
10 bottom rollers (lower rollers), fluted steel rollers	أسطوانات صلب محدّدة
11 top rollers (upper rollers) covered with synthetic rubber	أسطوانات علوية مغطّاة بمادة لدنة
12 doubled slivers before drafting	الشرائط المجمّعة قبل سحبها
13 thin sliver after drafting	شريط رفيع بعد سحبه
14 high-draft system (high-draft draw frame) [diagram]	نظام اللقي العالي (رسم تخطيطي)
15 feeding-in of the sliver	تغذية الشريط
16 leather apron (composition apron)	إزار جلدي
17 guide bar	قضيب دليلي
18 light top roller (guide roller)	أسطوانة علوية دليلية
19 high-draft speed frame (fly frame, slubbing frame)	ماكينة البرم الابتدائي
20 sliver cans	أسطوانات الشريط
21 feeding of the slivers to the drafting rollers	الشريط المغذي لأسطوانات السحب
22 drafting rollers with top clearers	أسطوانات السحب ذات المنقلبات العلوية
23 roving bobbins	بكر (بوبيونات) البرم الابتدائي
24 fly frame operator (operative)	ملاحظ ماكينة البرم
25 flyer	الغانوس
26 frame end plate	غطاء جانب الماكينة
27 intermediate yarn-forming frame	ماكينة البرم المتوسط
28 bobbin creel (creel)	حامل البكر
29 roving emerging from the drafting rollers	الغزل المبروم الخارج من أسطوانات السحب
30 lifter rail (separating rail)	قضيب رافع (العربية)
31 spindle drive	إدارة المرزّن
32 stopping handle	يد الإيقاف
33 gearbox, with built-on motor	صندوق التروس المتصل بالمحرك
34 ring frame (ring spinning frame)	ماكينة الغزل الحلقي
35 three-phase motor	محرّك ثلاثي الأطوار
36 motor base plate (bed-lifting bolt [for motor removal])	لوّح قاعدة المحرك حلقة لرفع المحرك
37 control gear for spindle speed	منظم للمرزّن ذي السرعة المتغيرة
38 control gear for spindle speed	غراب الرأس (صندوق التروس)
39 gearbox	تروس نقل لتغيير نمز الخيوط
40 change wheels for varying the spindle speed [to change the yarn count]	حامل البكر
41 full creel	أعمدة وروافع لرفع وخفض العربة
42 shafts and levers for rising and lowering the ring rail	مرآدن مع فواصل صندوق شفط متصل بالمنقلبات السفلية للأسطوانة الأمامية
43 spindles with separators	مرآدن غزل حلقي تغطي عمود المرزّن
44 suction box connected to the front roller underclearers	كرسيّ تحميل صرّة المرزّن
45 standard ring spindle	ماسك المرزّن
46 spindle shaft	قضيب المرزّن
47 roller bearing	الحلقة والدنية (في ماكينة الغزل الحلقي)
48 wharve (pulley)	المطرّف العلوي لبكرة الغزل الحلقي
49 spindle catch	خيط الغزل
50 spindle rail	الحلقة المثبتة في العربة
51 ring and traveller (Am. traveler)	الدنية
52 top of the ring tube (of the bobbin)	خيط الغزل ملفوفاً على البكرة
53 yarn (thread)	ماكينة قتل الخيط
54 ring fitted into the ring rail	حامل بكر به مجموعة من البكر الملفوف لفاً متقاطعاً
55 traveller (Am. traveler)	درافيل مناوئة
56 yarn wound onto the bobbin	بكر الخيط المفتول
57 doubling frame	
58 creel, with cross-wound cheeses	
59 delivery rollers	
60 bobbins of doubled yarn	
165 Weaving I	الغَنسِيج (1)
1-57 processes preparatory to weaving	العمليات التحضيرية للنسيج
1 cone-winding frame	ماكينة لفّ المخرّوط
2 travelling (Am. travelling) blower	نافخ مخرّك
3 guide rail, for the	قضيب دليلي للنافخ المخرّك
travelling (Am. traveling) blower	
4 blowing assembly	تجميع النّفخ
5 blower aperture	فتحة النّفخ
6 superstructure for the blowing rail	الحامل العلوي لقضيب النافخ
7 full-cone indicator	مبيّن المخرّوط الملفوف لفاً حلزونياً
8 cross-wound cone	حساس مخرّوط بحامل البكر
9 cone creel	حوامل المخاريط
10 grooved cylinder	أسطوانة بها تجاويف حلزونية (دليل الخيط) متّقيبة متّرجة لمرور الخيط
11 guiding slot for cross-winding the threads	اللوح الجانبي للماكينة ويداخله المخرّك
12 side frame, housing the motor	منظم الشد والمقص
13 tension and slub-catching device	جانب الماكينة مع مرشّح
14 off-end framing with filter	عبوة التغذية (بكرة غزل حلقي أو ماسورة غزل العربية)
15 yarn package, a ring tube or mule cop	صندوق عبوات التغذية ذراع البدء والإيقاف
16 yarn package container	
17 starting and stopping lever	دليل لتسهيل مرور الخيط
18 self-threading guide	وسيلة إيقاف أوتوماتيكية لإيقاف الماكينة عند انقطاع الخيط
19 broken thread stop motion	المقص منظم شد الخيط
20 thread clearer	ماكينة التسوية
21 weighting disc (disk) for tensioning the thread	مروحة
22 warping machine	مخاريط بحامل البكر
23 fan	حامل البكر
24 cross-wound cone	منشط الأشتيك
25 creel	عداد طول الخيط
26 adjustable comb	أسطوانة السداء
27 warping machine frame	طارة أسطوانة السداء
28 yarn length recorder	قضيب وقائي
29 warp beam	طبّور الإدارة
30 beam flange	إدارة بسير
31 guard rail	محرّك
32 driving drum (driving cylinder)	ذراع لبدء حركة طبّور الإدارة
33 belt drive	الإدارة
34 motor	برغي ضبط المنشط
35 release for starting the driving drum	مسامير ساقطة لإيقاف الماكينة عند انقطاع الخيط
36 screw for adjusting the comb setting	قضيب دليلي
37 drop pins, for stopping the machine when a thread breaks	أسطوانات المسامير الساقطة
38 guide bar	
39 drop pin rollers	

(bottom fulling roller)	لَوْح السحب
7 draft board	ماكينة غَسْل الألياف الصوفية
8 open-width scouring machine for finer fabrics	القماش الخارج من الماكينة
9 fabric being drawn off the machine	صندوق لتروس الإدارة
10 drive gearbox	مأسورة دخول الماء
11 water inlet pipe	درفيل السحب
12 drawing-in roller	قضيب فرد القماش
13 scroll-opening roller	عصارة بندولية بالطرد المركزي لنزع السوائل من القماش
14 pendulum-type hydro-extractor (centrifuge), for extracting liquors from the fabric	قاعدة الماكينة
15 machine base	غطاء فوق التعليق
16 casing over suspension	الوعاء الخارجي وبداخله القفص الدوار
17 outer casing containing rotating cage (rotating basket)	غطاء قفص العصارة
18 hydro-extractor (centrifuge) lid	وسيلة إيقاف للأمان
19 stop-motion device (stopping device)	وسيلة بدء التشغيل وفرملة آلية
20 automatic starting and braking device	ماكينة الشد وضبط العرَض
21 for cotton: stenter; for wool: tenter	القماش المبلل
22 air-dry fabric	منصة تشغيل
23 operator's (operative's) platform	دلائل تغذية القماش للمقايض والديبايس
24 feeding of fabric by guides onto stenter (tenter) pins or clips	لوحات تحكم كهربائية
25 electric control panel	تغذية إضافية للسماح بالانكماش في اتجاه السداء
26 initial overfeed to produce shrink-resistant fabric when dried	ترموتر
27 thermometer	غرفة التخفيف
28 drying section	مخرج الهواء
29 air outlet	وسيلة لتطبيق القماش
30 plaiter (fabric-plaiting device)	ماكينة الكسفرة
31 wire-roller fabric-raising machine for producing raised or nap surface	صندوق تروس الإدارة
32 drive gearbox	قماش غير مكسفر
33 unraised cloth	درفيل مغطاة بالأسلاك
34 wire-covered rollers	وسيلة لتطبيق القماش
35 plaiter (cuttling device)	قماش مكسفر
36 raised fabric	طليبة
37 plaiting-down platform	ماكينة الكي الدوارة
38 rotary press (calendering machine), for press finishing	القماش
39 fabric	زر الإدارة ومضابط الحركة
40 control buttons and control wheels	

knitting machine	يدويًا
36 thread (yarn)	الخيط
37 return spring	دليل إرجاع الخيط
38 support for springs	نقطة ارتكاز لدلائل إرجاع الخيط
39 carriage	العربة
40 feeder-selecting device	مستار الاختيار المغذي
41 carriage handles	أيدي التشغيل
42 scale for regulating size of stitches	مقياس ضبط العرَض
43 course counter (tachometer)	عداد الصفوف الأفقية من العرَض
44 machine control lever	ذراع التحكم
45 carriage rail	قضيب العربة
46 back row of needles	الصف الخلفي من الإبر
47 front row of needles	الصف الأمامي من الإبر
48 knitted fabric	القماش التريكو
49 tension bar	قضيب الثقل لتنظيم الشد على القماش
50 tension weight	ثقل تنظيم الشد
51 needle bed showing knitting action	قضيب الإبر وكيفية تكوين عرَض التريكو
52 teeth of knock-over bit	الحافة العليا للمشقيات
53 needles in parallel rows	الإبر مرتبة في وضع متواز
54 yarn guide (thread guide)	دليل الخيط
55 needle bed	قضيب الإبر
56 retaining plate for latch needles	لوحة احتجاز الإبر ذات المشاقطة
57 guard cam	كامة دليل علوية
58 sinker	كامة العرَض
59 needle-raising cam	كامة رفع الإبر
60 needle butt	كعب الإبرة
61 latch needle	إبرة بسقاطة
62 loop	غرزة تريكو
63 pushing the needle through the fabric	دفع الإبرة خلال القماش
64 yarn guide (thread guide) placing yarn in the needle hook	دليل الخيط يهدي خُطاف الإبرة بالخيط
65 loop formation	تكوين العرَض
66 casting off of loop	الترلاق العرَض بعد تكوينها
168 Finishing of Textile Fabrics	تجهيز ألياف النسيج
1-65 finishing	التجهيز
1 rotary milling (fulling) machine for felting the woollen (Am. woolen) fabric	ماكينة تليد دوارة لتليد الأقمشة الصوفية
2 pressure weights	ثقل ضاغط
3 top milling roller (top fulling roller)	درفيل التليد العلوي
4 drive wheel of bottom milling roller (bottom fulling roller)	طارة التشغيل المرتكبة على عمود درفيل التليد السفلي
5 fabric guide roller	درفيل دليلي (الأسطوانة الأمامية) للقماش
6 bottom milling roller	درفيل التليد السفلي

167 Knitting	أشغال الإبرة أو التريكو
1-66 hosiery mill	مَشغَل التريكو
1 circular knitting machine for the manufacture of tubular fabric	ماكينة التريكو الدائرية لتصنيع القماش الأسطواني
2 yarn guide support post (thread guide support post)	عمود الارتكاز لدليل الخيط
3 yarn guide (thread guide)	دليل الخيط
4 bottle bobbin	بكرة على هيئة زجاجة
5 yarn-tensioning device	جهاز ضبط شد الخيط المغذي
6 yarn feeder	طارة الإدارة الماكينة يدويًا
7 handwheel for rotating the machine by hand	أسطوانة الإبر (حامل الإبر الأسطواني)
8 needle cylinder (cylindrical needle holder)	قماش أسطواني
9 tubular fabric	حبة القماش (وعاء القماش)
10 fabric drum (fabric box, fabric container)	أسطوانة الإبر (حامل الإبر الأسطواني [مقطع])
11 needle cylinder (cylindrical needle holder) [section]	الإبر ذات الخُطاف / سقاطة في نسق دائري
12 latch needles arranged in a circle	مبيت الكمامات
13 cam housing	كامات الإبر
14 needle cams	مشقيات الإبر
15 needle trick	قطر أسطوانة الإبر (وهو أيضا قطر القماش الأسطواني)
16 cylinder diameter (also: diameter of tubular fabric)	الخيط
17 thread (yarn)	ماكينة تريكو لعمل جوارب السيدات
18 Cotton's patent flat knitting machine for ladies' fully-fashioned hose	كثبنة الضبط
19 pattern control chain	العارضة الجانبية للماكينة
20 side frame	رأس العرَض
21 knitting head	عمود بدء التشغيل
22 starting rod	ماكينة تريكو راشيل
23 Raschel warp-knitting machine	السداء (مطواة السداء) مطواة التقسيم
24 warp (warp beam)	طارة أسطوانة السداء
25 yarn-distributing (yarn-dividing) beam	صفا من الإبر
26 beam flange	قضيب (دائلي) للإبر
27 row of needles	القماش [دائلا ستائر و قماش شبكي] على مطواة القماش
28 needle bar	عجلة الإدارة
29 fabric (Raschel fabric) [curtain lace and net fabrics] on the fabric roll	طارات تشغيل المحرك
30 handwheel	ثقل السحب
31 motor drive gear	هيكَل الماكينة
32 take-down weight	قاعدة الماكينة
33 frame	ماكينة تريكو مسطحة تُشغَل
34 base plate	
35 hand flat (flat-bed)	

25 loom framing	هيكَل النول
25 metal shuttle tip	غراب المكوك المعدني
26 shuttle	مكوك
27 heald (heddle, wire heald, wire heddle)	ذراع
28 eye (eyelet, heald eyelet, heddle eyelet)	ثقب ذراع
29 eye (shuttle eye)	زردة المكوك
30 pilm	ماسورة اللخمة
31 metal contact sleeve for the weft feeler	جذبة التلامس المعدنية
32 slot for the feeler	لحساس اللخمة
33 spring-clip pilm holder	مشقطة حساس اللخمة
34 drop wire	ماسك زنبركي لكعب ماسورة اللخمة
35 weaving machine (automatic loom) [side elevation]	شريحة إيقاف، سقاطة ماكينة نسج (نول الي) [منظر جانبي]
36 heald shaft guiding wheels	بكر الدوار الدائلي
37 backrest	المستند الخلفي
38 lease rods	سمامس الأشيك
39 warp (warp thread)	السداء
40 shed	النفس
41 sley (slay)	ريشة الذاف
42 race board	الجورأ
43 stop rod blade for the stop motion	المصدام
44 bumper steel	الصفدة
45 bumper steel stop rod	بئر الصفدة
46 breast take-up roller	مستند الصدر
47 cloth take-up roller	أسطوانة الصفرة
48 warp beam	أسطوانة السداء
49 beam flange	طارة أسطوانة السداء
50 crankshaft	عمود مرفقي
51 crankshaft wheel	ترس العمود المرفقي
52 connector	ذراع الذاف
53 sley (slay)	الذاف
54 lam rods	أسياع الدوار
55 camshaft wheel	ترس عمود الكمامات السفلي
56 camshaft (tappet shaft)	عمود الكمامات
57 tappet (shedding tappet)	الكمامات
58 treadle lever	ذراع الدواسة
59 let-off motion	جهاز تنظيم انسياب السداء
60 beam motion control	طارة جهاز الانسياب
61 rope of the warp let-off motion	حبل جهاز الانسياب
62 let-off weight lever	ذراع الثقل (لجهاز الانسياب)
63 control weight [for the treadle]	ثقل التحكم (الدواسة)
64 picker with leather or bakelite pad	لطاشة ذات بطانة جذبية
65 picking stick buffer	مصدد ذراع القذف
66 picking cam	كامة القذف
67 picking bowl	طاسة القذف
68 picking stick return spring	نابض إرجاع ذراع القذف

20 formation of cyclohexanone (pimehinketone)	تكوين الهيكسانول الحلقي
21 hydroxylamine inlet	مدخل الهيدروجين
22 formation of cyclohexanoxime	تكوين الهيكسانوكسيم
23 addition of sulphuric acid (Am. sulfuric acid) to effect molecular rearrangement	إضافة حمض الكبريتيك لإنجاز إعادة التنظيم الجزيئي
24 ammonia to neutralize sulphuric acid (Am. sulfuric acid)	إضافة الأمونيا لمعادنة حمض الكبريتيك
25 formation of caprolactam oil	تكوين زيت الكبرولاكتام
26 ammonium sulphate (Am. ammonium sulfate) solution	مطول كبريتات الأمونيوم
27 cooling cylinder	أسطوانة تبريد
28 caprolactam	كبرولاكتام
29 weighing apparatus	جهاز الوزن، ميزان
30 melting pot	بوتقة انصهار
31 pump	مضخة
32 filter	مرشح، فلتر
33 polymerization in the autoclave	بلمرة في الأوتوكلاف
34 cooling of the polyamide	تبريد غزير الأמיד
35 solidification of the polyamide	تصلب غزير الأמיד
36 vertical lift (Am. elevator)	مرفق رأسي
37 extractor for separating the polyamide from the remaining lactam oil	فرازة غزير الأמיד
38 drier	مُجفف
39 dry polyamide chips	شرائح غزير الأמיד الجافة
40 chip container	حاوية الشرائح
41 top of spinneret for melting the polyamide and forcing it through spinneret holes (spinning jets)	الجزء العلوي من فونية الغزل المخصص لصهر غزير الأמיד ودفعه خلال ثقب الفونية
42 spinneret holes (spinning jets)	ثقب فونية الغزل
43 solidification of polyamide filaments in the cooling tower	تصلب الألياف غزير الأמיד في برج التبريد
44 collection of extruded filaments into thread form	تجميع الألياف في شكل خيط
45 preliminary stretching (preliminary drawing)	الشد الأولي للخيط
46 stretching (cold-drawing) of the polyamide thread to achieve high tensile strength	سحب خيط غزير الأמיד على البارد لإكسابه قوة لمقاومة الشد
47 final stretching (final drawing)	السحب النهائي

28 filament tow	خبل الألياف
29 overhead spray washing plant	وحدة تسبيل بالرش العلوي
30 cutting machine for cutting filament tow to desired length	ماكينة قطع خبل الألياف إلى الطول المرغوب
31 multiple drying machine for cut-up staple fibre (Am. fiber) layer (lap)	ماكينة تجفيف وقطع الألياف طويلة التيلة
32 conveyor belt (conveyor)	سير ناقل
33 baling press	مكبس البالات
34 bale of viscose rayon ready for dispatch (despatch)	بالة حرير الفسكون جاهزة للإرسال إلى التاجر

170 Synthetic (Man-made) Fibres (Am. Fibers) II

1-62 manufacture of polyamide (nylon 6, perlon) fibres (Am. fibers)	صناعة الألياف غزير الأמיד
1 coal [raw material for manufacture of polyamide (nylon 6, perlon) fibres (Am. fibers)]	فحم [مادة خام لصناعة الألياف غزير الأמיד (نايلون 6)]
2 coking plant for dry coal distillation	وحدة التكرير الخاصة بتقطير الفحم الجاف
3 extraction of coal tar and phenol and the phenol	استخلاص قار الفحم والفينول
4 gradual distillation of tar	تقطير القار تدريجياً
5 condenser	المكثف
6 benzene extraction and dispatch (despatch)	استخلاص البنزين
7 chlorine	الكلور
8 benzene chlorination	كلورة البنزين
9 monochlorobenzene (chlorobenzene)	كلور بنزين أحادي (كلور بنزين)
10 caustic soda solution	مطول صودا كاوية
11 evaporation of chlorobenzene and caustic soda	تبخير الكلوربنزين والصودا الكاوية
12 autoclave	محمّ موصد، أوتوكلاف
13 sodium chloride (common salt), a by-product	كلوريد صوديوم (ملح الطعام)، منتج ثانوي
14 phenol (carbolic acid)	الفينول (حمض الكربوليك)
15 hydrogen inlet	مدخل الهيدروجين
16 hydrogenation of phenol to produce raw cyclohexanol	هدرجة الفينول لإنتاج هيكسانول حلقي خام
17 distillation	التقطير
18 pure cyclohexanol	هيكسانول حلقي نقي
19 oxidation (dehydrogenation)	الأكسدة (نزع الهيدروجين)

sheets in caustic soda	صودا كاوية
5 pressing out excess caustic soda	استخراج الصودا الكاوية الزائدة بالكبس
6 shredding the cellulose sheets	تقطيع ألواح السليولوز
7 maturing (controlled oxidation) of the alkali-cellulose crumbs	إنضاج قطع السليولوز القلوي
8 carbon disulphide (Am. carbon disulfide)	ثاني كبريتوز الكربون
9 conversion of alkali-cellulose into cellulose xanthate	تحويل السليولوز القلوي إلى سليولوز الزنثات
10 dissolving the xanthate in caustic soda for the preparation of the viscose spinning solution	إذابة الزنثات في الصودا الكاوية لإعداد مطول غزل الفسكون
11 vacuum ripening tanks	خزانات إنضاج بالتفريغ
12 filter presses	مكابس ترشيح
13-27 from viscose to viscose rayon thread	من الفسكون إلى خيط حرير الفسكون
13 metering pump	مضخة
14 multi-holed spinneret (spinning jet)	فونية غزل متعددة الثقوب
15 coagulating (spinning) bath for converting (coagulating) viscose (viscous solution) into solid filaments	حمام المادة العاقدة لتحويل مطول الفسكون إلى خيط صلبة
16 Godet wheel, a glass pulley	بكرة "جوديه"
17 Topham centrifugal pot (box) for twisting the filaments into yarn	صندوق لتحويل الألياف إلى غزل
18 viscose rayon cake	كعكة حرير الفسكون
19-27 processing of the cake	معالجة الكعكة
19 washing	الغسيل
20 desulphurizing (desulphurization, Am. desulfurizing, desulfurization)	نزع الكبريت
21 bleaching	التفتيح (التبييض)
22 treating of cake to give filaments softness and suppleness	معالجة الكعكة لإكساب الشفيرات النعومة والليونة
23 hydro-extraction to remove surplus moisture	نزع الماء لازالة الرطوبة الزائدة
24 drying in heated room	التجفيف في حجرة مسخنة
25 winding yarn from cake into cone form	لف الغزل من الكعكة إلى الشكل المخروطي
26 cone-winding machine	ماكينة لفة المخروط
27 viscose rayon yarn on cone ready for use	غزل حرير الفسكون على مخروط جاهز للاستخدام
28-34 from viscose spinning solution to viscose rayon staple fibre (Am. fiber)	من محلول غزل الفسكون إلى الألياف حرير الفسكون طويلة التيلة

41 heated press bowl	درّفيل الكي المسخن
42 rotary cloth-shearing machine	ماكينة قص الوبرة
43 suction slot, for removing loose fibres (Am. fibers)	أنبوب شفط عوادم الألياف
44 doctor blade (cutting cylinder)	أسطوانة قص الوبرة
45 protective guard	شبكة مصنعات واقية
46 rotating brush	فرشاة دوارة
47 curved scray entry	طليقة منحنية
48 treadle control	دواسة تحكم
49 [non-shrinking] decatizing (decatizing) fabric-finishing machine	ماكينة دكترة [لتثبيت التجهيز]
50 perforated decatizing (decatizing) cylinder	درّفيل الدكترة
51 piece of fabric	قطعة القماش
52 cranked control handle	عمود مرفقي
53 ten-colour (Am. ten-color) roller printing machine	ماكينة طباعة قماش ذات عشر أسطوانات ألوان
54 base of the machine	قاعدة الماكينة
55 drive motor	محرك الإدارة
56 blanket [of rubber or felt]	غطاء [من المطاط أو اللباد]
57 fabric after printing (printed fabric)	القماش بعد طباعته
58 electric control panel (control unit)	لوحة التحكم الكهربائية
59 screen printing	الطباعة بالشيلونات
60 mobile screen frame	شيلونة متحركة
61 squeegee	ضامط لتوزيع اللون على الشيلونة
62 pattern stencil	شيلونة الطباعة
63 screen table	منضدة الطباعة بالشيلونة
64 fabric gummed down on table ready for printing	القماش المثبت على منضدة الطباعة تمهيداً لطباعته
65 screen printing operator (operative)	عامل الطباعة بالشيلونة

169 Synthetic (Man-made) Fibres (Am. Fibers) I

1-34 manufacture of continuous filament and staple fibre (Am. fiber) viscose rayon yarns by means of the viscose process	صناعة الألياف المستمرة وخيوط غزل حرير الفسكون طويلة التيلة عن طريق عملية تصنيع الفسكون
1-12 from raw material to viscose rayon	من المادة الخام إلى حرير الفسكون
1 basic material [beech and spruce cellulose in form of sheets]	المادة الأساسية [بيلولوز الزان والرايبجيات في شكل ألواح]
2 mixing cellulose sheets	مزج ألواح السليولوز
3 caustic soda	صودا كاوية
4 steeping cellulose	ألواح سليولوز منقوعة في

48 washing of yam packages	غَسِيل عِبوات الخَيْطِ
49 drying chamber	غُرْفَة التجفيف
50 rewinding	إِعَادَة لف الخَيْطِ
51 polyamide cone	مَخْرُوط عَبيد الأَمِيد
52 polyamide cone ready for dispatch (despatch)	مَخْرُوط عَبيد الأَمِيد جاهز لإرساله للتاجر
53 mixer	خِلاط
54 polymerization under vacua	بَلْمَرَة تحت تَفْرِيع
55 stretching (drawing)	سَخَب الخَيْطِ
56 washing	غَسِيل
57 finishing of tow for spinning	تَجْمِيز خَيْل الأَلْيَاف لِلغَزَلِ
58 drying of tow	تَجْفِيف خَيْل الأَلْيَاف
59 crimping of tow	تَمْوِيج خَيْل الأَلْيَاف
60 cutting of tow into normal staple lengths	قَطْع خَيْل الأَلْيَاف إلى أطوال عادية
61 polyamide staple	عَبيد الأَمِيد طَوِيل التَبَلَّة
62 bale of polyamide staple	بَالَة عَبيد الأَمِيد طَوِيل التَبَلَّة
171 Weaves and Knits	النَسِج وَغَزَن التريكو
1-29 weaves [black squares: warp thread raised, weft thread lowered; white squares: weft thread raised, warp thread lowered]	النَسِج [المُرَبَّعات السَوْدَاء خَيْط السَّاءَ لأَعلى، خَيْط اللَحْمَة لأسفل؛ المُرَبَّعات البِيضاء خَيْط اللَحْمَة لأَعلى، خَيْط السَّاءَ لأسفل]
1 plain weave (tabby weave) [weave viewed from above]	نَسِج سادَة [منظَر النَّسِج من أَعلى]
2 warp thread	خَيْط السَّاءَ
3 weft thread	خَيْط اللَحْمَة
4 draft (point paper design) for plain weave	بَاترُون (ورق مَرَبَعات) للنَسِج السادَة
5 threading draft	نِظام اللَّقِي لِلنَّسِج الخَيْطِ
6 denting draft (reed-threading draft)	نِظام اللَّقِي لِلنَّسِج المَسْطِ
7 raised warp thread	خَيْط السَّاءَ فَوْق خَيْط اللَحْمَة
8 lowered warp thread	خَيْط اللَحْمَة أَسفل خَيْط السَّاءَ
9 tie-up of shafts in pairs	رَبَط النَّسِج زوجياً
10 treading diagram	مُخَطَّط سَبْر الدَواسَة
11 draft for basket weave (hopsack weave, matt weave)	نِظام لَقِي النَّسِج الشَبَكِيّ (نَسِج سادَة مَمْد)
12 pattern repeat	بَاترُون تَكَرَّر
13 draft for warp rib weave	نِظام اللَّقِي الخَاص بِنَسِج سادَة مَمْد في اتِّجاه السَّاءَ
14 section of warp rib fabric, a section through the warp	جِزء من تَطْلِيعات السَّاءَ
15 lowered weft thread	خَيْط اللَحْمَة أَسفل السَّاءَ
16 raised weft thread	خَيْط اللَحْمَة أَعلى السَّاءَ
17 first and second warp threads [raised]	خَيْطَا السَّاءَ الأَوَّل والثانِي [فَوْق السَّاءَ]
18 third and fourth warp	خَيْطَا السَّاءَ الثالث والرابع

threads [lowered]	[أَسفل اللَحْمَة]
19 draft for combined rib weave	نِظام اللَّقِي الخَاص بِالنَسِج المُضَمَّع المَدْمَج
20 selvedge (selvage) thread draft (additional shafts for the selvedge)	نِظام لَقِي البُرْسَلِ
21 draft for the fabric shafts	نِظام لَقِي نَسِج القماش
22 tie-up of selvedge (selvage) shafts	رَبَط نَسِج البُرْسَلِ
23 tie-up of fabric shafts	رَبَط نَسِج القماش
24 selvedge (selvage) in plain weave	البُرْسَلِ في نَسِج سادَة
25 section through combination rib weave	جِزء من نَسِج مُضَمَّع مَدْمَج
26 thread interlacing of reversible warp-faced cord	تَدَاخُل خِيوط في كَرَدون السَّاءَ السطحي المَسْتَعْمَل على الوَجْهين
27 draft (point paper design) for reversible warp-faced cord	بَاترُون (ورق مَرَبَعات) كَرَدون السَّاءَ السطحي المَسْتَعْمَل على الوَجْهين
28 interlacing points	مَرَبَعات مَدَاخِلَة
29 weaving draft for honeycomb weave in the fabric	نِظام نَسِج خَلايا النَحْل في القماش
30-48 basic knits	غَزَن التريكو الأساسِيَة
30 loop, an open loop	أَشْطُوبَة ، أَشْطُوبَة مَفْتُوحَة، بَوَكْبَة
31 head	رَأْس الأَشْطُوبَة
32 side	جَانِب الأَشْطُوبَة
33 neck	عُنُق الأَشْطُوبَة
34 head interlocking point	نَقْطَة التَعاشُق بالرَأْس
35 neck interlocking point	نَقْطَة التَعاشُق بالعُنُق
36 closed loop	أَشْطُوبَة مَغْفَلَة
37 mesh [with inlaid yarn]	شَبَكَة [بِعَزَل وَبَرِي]
38 diagonal floating yarn (diagonal floating thread)	غَزَل نَسِيف مائل
39 loop interlocking at the head	أَشْطُوبَة مَتعاشِقَة بالرَأْس
40 float	تَسْفِيف
41 loose floating yarn (loose floating thread)	غَزَل تَسْفِيف سائِب
42 course	صَفّ غَزَل أَقْصَى
43 inlaid yarn	غَزَل وَبَرِي
44 tuck and miss stitch	غُرْزَة مَقْلُوبَة
45 pulled-up tuck stitch	غُرْزَة عَدْلَة
46 staggered tuck stitch	غُرْزَة عَدْلَة مَتناثِرَة
47 2 x 2 tuck and miss stitch	غُرْزَة مَقْلُوبَة مَزْدوجَة
48 double pulled-up tuck stitch	غُرْزَة عَدْلَة مَزْدوجَة
172 Papermaking I	صِناعَة الورق (1)
1-52 sulfate (Am. sulfate) pulp mill (kraft pulp mill) [in diagram form]	مَأكِينَة إِعْداد لَب الكَبْرِييات (مَأكِينَة إِعْداد لَب كرافت) [في نِظام لِشَرَاك]
1 chippers with dust	وَحَدَّات إِعْداد الجَدَّانَة و

extractor	طَرْد الرُّباب
2 rotary screen (riffler)	غُرْبِيال دَوَّار (حوض فُصَل الرِيال)
3 chip packer (chip distributor)	مُوزِع الجَدَّانَة
4 blower	نَفَّاح
5 disintegrator (crusher, chip crusher)	جِرْاشَة، كَسَّارَة
6 dust-settling chamber	خَبْرَة تَسْفِيف الأَثْرِيَة
7 digester	مِرْجَل تَسْفِيف خَامات الورق
8 liquor preheater	مَسْخَن مُتَقَدِّم للسائل مَحْبَس
9 control tap	أَنْبُوب تَارِجِي
10 swing pipe	خَزَّان النَفْث
11 blow tank (diffuser)	صِمام النَفْث
12 blow valve	خَبْرَة النَفْث
13 blow pit (diffuser)	فَرَّازَة التَرابِيتِين
14 turpentine separator	فَرَّازَة مَرَكِزِيَة
15 centralized separator	مَكْتَف نَفَّات (مَكْتَف حَقَن)
16 jet condenser (injection condenser)	خَزَّان نائِج التَكثِيف
17 storage tank for condensate	خَزَّان المَاء السائِج
18 hot water tank	مِبادِل حراري
19 heat exchanger	فِلتر، مُرْشِج
20 filter	فَرَّاز مُتَقَدِّم
21 presorter	غُرْبِيال نائِب
22 centrifugal screen	فَرَّاز دَوَّار (مَشْطَل دَوَّار)
23 rotary sorter (rotary strainer)	مَغْلَط القَوَّام
24 concentrator (thickener, decker)	راقود
25 vat (chest)	خَزَّان تَجْمِيع المَاء
26 collecting tank for backwater (low box) العُرْبِيج/المُرْتَد	جِهَاز تَجْمِيع مَخْرُوطِي الشَكْل
27 conical refiner (cone refiner, Jordan, Jordan refiner)	مُرْشِج السائل الأَسود
28 black liquor filter	خَزَّان السائل الأَسود
29 black liquor storage tank	مَغْلَط القَوَّام
30 condenser	فَرَّازات
31 separators	سَفَّانات
32 heaters (heating elements)	مِضخَة السائل
33 liquor pump	مِضخَة السائل التَقْلِيل
34 heavy liquor pump	خَزَّان المُرْج
35 mixing tank	خَزَّان كَبْرِييات الصُودِيوم
36 salt cake storage tank (sodium sulphate storage tank)	خَزَّان الإِذابَة
37 dissolving tank (dissolver)	سَفَّان بَحَّارِي
38 steam heater	مُرْسَب الكَبْرِييات
39 electrostatic precipitator	مِضخَة هوائِيَة
40 air pump	خَزَّان السائل الأَخْضَر غير اللَّقِي
41 storage tank for the uncleaned green liquor	مَغْلَط القَوَّام
42 concentrator (thickener,	

decker)	... إِبْرَة السائل
43 green liquor preheater	مَأكِينَة هوائِيَة
44 concentrator (thickener, decker) for the weak wash liquor (wash water)	مَأكِينَة هوائِيَة مَأكِينَة السائل العَسِيل (مَاء العَسِيل)
45 storage tank for the weak liquor	خَزَّان السائل الضَعِيف
46 storage tank for the cooking liquor	خَزَّان سائل الطَبَخ
47 agitator (stirrer)	مِجْرَاف، أَلِيَة التَقْلِيل
48 concentrator (thickener, decker)	مَغْلَط القَوَّام
49 causticizing agitators (causticizing stirrers)	مِجْرَاف المَعَالِجَة بالصُودا الكالويَة
50 classifier	أَلِيَة تَصْنِيف
51 lime slaker	وَحْدَة إِبْطَاف الجير
52 reconverted lime	جِير مُتَسَرِّج
53-65 groundwood mill (mechanical pulp mill) [diagram]	مَأكِينَة إِعْداد لَب الخَشَب
53 continuous grinder (continuous chain grinder)	جِلاخَة مَسْتَمِرَة (جِلاخَة بسلسلَة مَقْلُوبَة)
54 strainer (knotted)	مَشْطَل، مِضخَة
55 pulp water pump	مِضخَة مَاء اللَّب
56 centrifugal screen	غُرْبِيال نائِب
57 screen (sorter)	مَشْطَل
58 secondary screen (secondary sorter)	غُرْبِيال ثانوي
59 rejects chest	صندوق الفُضلات
60 conical refiner (cone refiner, Jordan, Jordan refiner)	جِهَاز تَجْمِيع مَخْرُوطِي الشَكْل
61 pulp-drying machine (pulp machine)	مَأكِينَة تَجْفِيف لَب الخَشَب
62 concentrator (thickener, decker)	مَغْلَط القَوَّام
63 waste water pump (white water pump, pulp water pump)	مِضخَة المَاء المَهْودَر
64 steam pipe	أَنْبُوب البِخار
65 water pipe	أَنْبُوب المَاء
66 continuous grinder (continuous chain grinder)	جِلاخَة مَسْتَمِرَة (جِلاخَة بسلسلَة مَقْلُوبَة)
67 feed chain	حَصِيرَة التَغْذِيَة
68 groundwood	خَشَب شَجَر
69 reduction gear for the feed chain drive	تَرُوس تَجْفِيف سُرْعَة إِدْارَة حَصِيرَة التَغْذِيَة
70 stone-dressing device	أَلِيَة الصَفْل بِحَجَر التَطْلِيع
71 grinding stone (grindstone, pulpstone)	حَجَر تَجْلِيع
72 spray pipe	أَنْبُوب الرَش
73 conical refiner (cone refiner, Jordan, Jordan refiner)	جِهَاز تَجْمِيع مَخْرُوطِي الشَكْل
74 handwheel for adjust-	دَوْلاب ضَبط المَسافَة بَين

29	Linotype matrix	أُمّ الحَرْف (متريس) للجمع السطري
30	teeth for the distributing mechanism (distributor)	أسنان للتحرّك على موزّع أمّهات الحروف
31	face (type face, matrix)	وَجْه الحَرْف (السَّلْع الطَّبَاعِي)
32-45	monotype single-unit composing (typesetting) and casting machine (monotype single-unit composition caster)	ماكينة الجمع الحرفي والسبك
32	monotype standard composing (typesetting) machine (keyboard)	ماكينة الجمع الحرفي المونوتيب
33	paper tower	بُرْج بوبينة الورق (ورق المونوتيب)
34	paper ribbon	شريط الورق
35	justifying scale	أسطوانة ضبط مقياس السطر
36	unit indicator	وحدة تحديد ثخانة الحرف
37	keyboard	لوحة المفاتيح
38	compressed-air hose	خراطيم توصيل الهواء المضغوط
39	monotype casting machine (monotype caster)	ماكينة سبك حرفي
40	automatic metal feeder	حامل سبيكة الرصاص لتغذية حلة الرصاص
41	pump compression spring (pump pressure spring)	نابض لضبط ضغط مضخة الرصاص
42	matrix case (die case)	إطار أمّهات الحروف (كفّ المتاريس)
43	paper tower	بُرْج بوبينة الورق
44	galley with types (letters, characters, cast single types, cast single letters)	صينية (جاليه) الحروف المسبوكة
45	electric heater (electric heating unit)	وحدة التسخين الكهربائي لحواسر المعدن
46	matrix case (die case)	إطار الأمّهات
47	type matrices (matrixes) (letter matrices)	أمّهات الحروف (طقم متاريس بالسّاسيه)
48	guide block for engaging with the cross-slide guide	مشقّبية كفّ المتاريس
175	Typesetting Room (Composing Room) II	قسم الجمع الطباعي (2)
1-17	composition (type matter, type)	الجمع (نصّ مجموع)
1	initial (initial letter)	الحرف الإستهلالي
2	bold type (bold, bold-faced type, heavy type, boldface)	حرف أسود (غامق)
3	semibold type (semi-	حرف نصف أسود (نصف

عجيبة جاهزة لباد	قسم الجمع الطباعي (1)	قسم الجمع اليدوي	منشدة (سبية) صناديق الحروف	سندوق حروف	دولاب حفظ صناديق الحروف	جسّاع يدوي	أصل مخطوط	حروف مطبّعة	رفّ (صندوق) التواضيب (الرفاقق)	درج الصفحات المحفوظة	تخزين الفورمات	صفحة محفوظة	صينية "جاليه" المصنّف	مسطرة المصنّف	نصّ مجموع	سلك الصّفحة	مخزّن	ملقاط	ماكينة جمع سطري (البوترب)، ماكينة متعددة مخازن المتريسات	موزّع الأمّهات (المتريسات)	مخزّن أمّهات الحروف	الذراع الرفاعة لنقل الأمّهات إلى الموزّع	سندوق التجميع	رقائق الفصل	آلية السبك	التغذية بمعدّن الحروف	صينية الأسطر المسبوكة	أمّهات للإيلاج اليدوي
------------------	-----------------------	------------------	----------------------------	------------	-------------------------	------------	-----------	-------------	--------------------------------	----------------------	----------------	-------------	-----------------------	---------------	-----------	-------------	-------	-------	--	----------------------------	---------------------	--	---------------	-------------	------------	-----------------------	-----------------------	-----------------------

50	post ready for pressing	أُتوب قائم
51	felt	ماكينة صنع الورق (خط إنتاج) [مخنط]
174	Typesetting Room (Composing Room) I	آلية تغذية من سندوق الماكينة (سندوق العجيبة) وبها فراز ومصفاة
1	hand-setting room (hand-composing room)	سلك (سلك الماكينة)
2	composing frame	سندوق تفريغ
3	case (typecase)	دولفين شفت
4	case cabinet (case rack)	لياد التليل الأولي
5	hand compositor (compositor, typesetter, maker-up)	لياد التليل الثاني
6	manuscript (typescript)	الكبس الأول
7	sorts (types, type characters, characters)	الكبس الثاني
8	rack (case) for furniture (spacing material)	مكبس أو سفت
9	standing type rack (standing matter rack)	دولفين التجفيف (مخفّف)
10	storage shelf (shelf for storing formes, Am. forms)	لياد تجفيف
11	standing type (standing matter)	مكبس تقويم (قلّعة أو معالجة بالارتجات)
12	galley	دولفين التبريد
13	composing stick (setting stick)	دلافين سفّل الأفرخ
14	composing rule (setting rule)	غطاء الماكينة
15	type (type matter, matter)	بكرة سحب الورق
16	page cord	ماكينة تكسية نصليّة
17	bodkin	ورق خام
18	tweezers	شريط الورق
19	Linotype line-composing (line-casting, slug-composing, slug-casting) machine, a multi-magazine machine	آلية تكسية الجانب العلوي مخفف بالأشعة تحت الحمراء
20	distributing mechanism (distributor)	دولفين تجفيف مسخن
21	type magazines with matrices (matrixes)	آلية تكسية الجانب السفلي (جانب السلك)
22	elevator carrier for distributing the matrices (matrixes)	بكرة الورق المكسو
23	assembler	ماكينة تشكيل وصقل الأفرخ
24	spacebands	نظام هيدرولي لدلافين الكبس
25	casting mechanism	أسطوانة الماكينة
26	metal feeder	مخطة فلّك لفة الورق
27	machine-set matter (cast lines, slugs)	منشدة رفّ
28	matrices (matrixes) for hand-setting (sorts)	مخطة إعادة لفّ الورق

ing the clearance between the knives (blades)	السكاكين (الأضال)	a paper machine
75 rotating bladed cone (rotating bladed plug)	مخروط دوار ممّصل	12 standpipe
76 stationary bladed shell	غلاف ممّصل ثابت	13-28 paper machine (production line) [diagram]
77 inlet for unrefined cellulose (chemical wood pulp, chemical pulp) or groundwood pulp (mechanical pulp)	فتحة دخول السليلوز غير المتّقي (اللب الكيميائي) أو لب الخشب	13 feed-in from the machine chest (stuff chest) with sand table (sand trap, riffler) and knotter
78 outlet for refined cellulose (chemical wood pulp, chemical pulp) or groundwood pulp (mechanical pulp)	فتحة خروج السليلوز المتّقي (اللب الكيميائي) أو لب الخشب	14 wire (machine wire)
79-86 stuff (stock) preparation plant [diagram]	عجيبة اللب المروية [رسم تخطيطي]	15 vacuum box (suction box)
79 conveyor belt (conveyor) for loading cellulose (chemical wood pulp, chemical pulp) or groundwood pulp (mechanical pulp)	سبّير ناقل لشحن السليلوز (اللب الكيميائي) أو لب الخشب	16 suction roll
80 pulper	جهاز نزع اللب	17 first wet felt
81 dump chest	صندوق الإغراق/التفريغ	18 second wet felt
82 cone breaker	كسّارة مخروطيّة	19 first press
83 conical refiner (cone refiner, Jordan, Jordan refiner)	جهاز تنعيم مخروطي الشكل	20 second press
84 refiner	جهاز تنعيم/تنقية	21 offset press
85 stuff chest (stock chest)	سندوق عجيبة اللب المروية	22 drying cylinder (drier)
86 machine chest (stuff chest)	سندوق الماكينة	23 dry felt (drier felt)
173 Papermaking II	صناعة الورق (2)	24 size press
1 stuff chest (stock chest, machine chest), a mixing chest for stuff (stock)	سندوق عجيبة اللب المروية	25 cooling roll
2-10 laboratory apparatus (laboratory equipment) for analysing stuff (stock) and paper	أجهزة معملية لتحليل عجيبة اللب المروية	26 calender rolls
2 Erlennmeyer flask	مخّبار مخروطي	27 machine hood
3 volumetric flask	مخّبار حجمي، قارورة حجمية	28 delivery reel
4 measuring cylinder	مخّبار قياس	29 blade coating machine (blade coater)
5 Bunsen burner	لهب/ مؤقّد بنزن	29 raw paper (body paper)
6 tripod	حامل ثلاثي	30 web
7 petri dish	جفّة، صنفحة "بترّي"	31 coater for the top side
8 test tube rack	حامل أنابيب اختبار	32 infrared drier
9 balance for measuring basis weight	ميزان لقياس الوزن الأساسي	33 heated drying cylinder
10 micrometer	ميكرومتر	34 coater for the underside (wire side)
11 centrifugal cleaners ahead of the breastbox (headbox, stuff box) of	وحدات تنظيف العجيبة قبل ذهابها إلى سندوق ماكينة صنع الورق	35 reel of coated paper

bold)	غامق
4 line	سطر
5 space	مسافة (بين الأسطر)
6 ligature (double letter)	حرف مزدوج
7 italic type (italics)	حرف مائل
8 light face type (light face)	حرف فاتح
9 extra bold type (extra bold)	حرف أسود أكبر حجماً
10 bold condensed type (bold condensed)	حرف أسود ضيق
11 majuscule (capital letter, capital, upper case letter)	حرف أجنبي كبير (حرف كابتال)
12 minuscule (small letter, lower case letter)	حرف أجنبي صغير
13 letter spacing (inter-spacing)	فواصل الحروف
14 small capitals	أحرف كابتال صغيرة الحجم
15 break	سطر ناقص
16 indentation	فراغ يترك في بداية الفقرة
17 space	مسافة
18 type sizes [one typographic point = 0.376 mm (Didot system), 0.351 mm (Pica system)]	أحجام الحروف الطباعية [البند الطباعي = 0,376 ملم (نظام الديوت)، 0,351 ملم (نظام بيكا)]
19 six-to-pica (2 points)	بُنْطَان
20 half nonpareil (four-to-pica) (3 points)	ثلاثة بُنْطَان
21 brilliant (4 points); <i>sim.</i> : diamond (4 1/2 points)	"برليانت" (4 بُنْطَان)؛ بالمثل «دايموند» (4.5 بند)
22 pearl (5 points); <i>sim.</i> : ruby (<i>Am. agate</i>) (5 1/2 points)	"بيرل" (5 بُنْطَان)؛ بالمثل «روبي» (5.5 بند)
23 nonpareil (6 points); <i>sim.</i> : minionette (6 1/2 points)	"نونيريل" (6 بُنْطَان)؛ بالمثل «مينيونيت» (6.5 بند)
24 minion (7 points)	"مينيون" (7 بُنْطَان)
25 brevier (8 points)	"بريفيه" (8 بُنْطَان)
26 bourgeois (9 points)	"بورجواز" (9 بُنْطَان)
27 long primer (10 points)	"بريمر طويل" (10 بُنْطَان)
28 pica (12 points)	"بيكا" (12 بند)
29 English (14 points)	"إنجليزي" (14 بُنْطَان)
30 great primer (two-line brevier, <i>Am. Columbian</i>) (16 points)	"جريت بريمر" (16 بُنْطَان)
31 paragon (two-line primer) (20 points)	"باراجون" (20 بُنْطَان)
32-37 typefounding (type casting)	سبك الحروف الطباعية
32 punch cutter	حَفَّار الاسطوانات
33 graver (burin, cutter)	أزْمِيل الحفر
34 magnifying glass (magnifier)	نظارة مكبرة
35 punch blank (die blank)	قالب (إسطنبة)

36 finished steel punch (finished steel die)	إِسْطِمْبَةُ صَلْبٌ مَجَهَّزَةٌ
37 punched matrix (stamped matrix, strike, drive)	أَمُ الحَرْفِ المسبوكة
38 type (type character, character)	حَرْفٌ مطبعي
39 head	رَأْسُ الحَرْفِ
40 shoulder	كَتِفُ الحَرْفِ
41 counter	تَجْوِيفُ الحَرْفِ
42 face (type face)	وَجْهَ الحَرْفِ (السُّطْحُ الطباعي)
43 type line (bodyline)	خَطُّ القَاعَةِ
44 height to paper (type height)	ارْتِفَاعُ الحَرْفِ
45 height of shank (height of shoulder)	ارْتِفَاعُ كَتِفِ الحَرْفِ
46 body size (type size, point size)	حِجْمُ جِسْمِ الحَرْفِ (البند)
47 nick	الحِرْزَةُ
48 set (width)	العَرْضُ
49 matrix-boring machine (matrix-engraving machine), a special-purpose boring machine	آلة قَطْعُ وَتَشْكِيلُ الأَمْهَاتِ والأَحْرَافِ المطبعية
50 stand	عَمُودٌ حَامِلٌ
51 cutter (cutting head)	عَدَّةُ القَطْعِ
52 cutting table	نُضْدُ القَطْعِ
53 pantograph carriage	حَامِلُ المُنْشَأِ (البالانوجراف)
54 V-way	دَلَالٌ مَنُشُورَةٌ
55 pattern	نُضْدُ النُموذجِ
56 pattern table	تَابِعٌ
57 follower	تَابِعٌ
58 pantograph	المُنْشَأُ (البالانوجراف)
59 matrix clamp	قَامِطَةُ أَمُ الحَرْفِ/المترس
60 cutter spindle	عَمُودُ القَطْعِ
61 drive motor	مُحَرِّكُ الإدارة

176 Typesetting Room III (Phototypesetting, Photocomposition, Photosetting)

1-21 phototypesetting configurations

1 off-line configuration	مَكُونَاتُ الجَمْعِ المُسْتَقِلَّةِ
2 & 3 data capture	حَضْرُ البَيَانَاتِ
2 terminal for keying unformatted text	طَرَفِيَّةٌ إِدْخَالِ نَصِّ بَدَوْنِ هَيْئَةٍ
3 text capture and correction terminal	طَرَفِيَّةٌ حَضْرُ النَصِّ والتصحيح
4 layout terminal (page-layout terminal)	طَرَفِيَّةٌ تَسْطِيقِ الصَّفْحَةِ
5 data carrier, a diskette (floppy disk)	حَامِلُ البَيَانَاتِ، قُرْصٌ مَرْنٌ
6 (photo)typesetting unit (phototypesetter)	وَحْدَةٌ الجَمْعِ التصويري

7 on-line configuration	مَكُونَاتُ الجَمْعِ المباشرة
8 make-up terminal (page make-up terminal)	طَرَفِيَّةُ المونتاچ
9 central processing unit (typesetting computer)	وَحْدَةٌ معالجة مركزية
10 magnetic tape unit (magnetic tape drive)	وَحْدَةُ الشريطِ المَمَغْنَطِ
11 disk store	وَحْدَةُ الأَقْرَاصِ المَمَغْنَطَةِ
12 printer, a laser printer	طابعية، طابعية بالليزر
13 phototypesetting machine (photo-typesetter)	مَأْكِنَةٌ جَمْعُ تصويري
14 text capture (text-capture terminal)	حَضْرُ النَصِّ
15 typesetter (keyboarder or typographer)	جَمَاعُ تصويري
16 screen (monitor)	شاشة
17 floppy disk drive	مَشْغَلُ القُرْصِ المَرْنِ
18 computer and memory unit with central processing unit and hard disk	حَاسِبٌ آليٌّ وَوَحْدَةٌ ذَاكِرَةٌ مَعَ وَحْدَةٍ معالجة مركزية وَقُرْصِ مَمَغْنَطِ
19 mouse, an input device	فَأْرَةٌ
20 mouse mat	قَاعَةُ الفَأْرَةِ
21 keyboard, an input device	لَوْحَةُ المفاتيح
22 direct-entry phototype-setter	وَحْدَةٌ جَمْعُ تصويري بِإِدْخَالِ مَبَاشِرِ
23-33 desktop publishing (DTP)	بَرَامِجُ العُنْشُرِ المَكْتَبِيِّ النُوي
23 diskette (floppy disk) with text, layout, and graphics programs	قُرْصٌ مَرْنٌ وَعَلِيهِ بَرَامِجُ النُصوصِ وَالتَسْطِيقِ وَالرُسُومِ البَيَانِيَّةِ
24 scanner (flat-bed scanner)	مَاسِجٌ (سكّان) أَفْقِيّ
25 personal computer (PC) or workstation	حَاسِبٌ آليٌّ شَخْصِيّ
26 printout (computer printout)	مَطبوعات (صَفْحَةٌ مطبوعة من الحاسوب)
27 raster image processor (RIP)	وَحْدَةٌ معالجة بشبكة خَطُوطِ المَسِجِ
28 laser phototypesetter	وَحْدَةٌ جَمْعُ تصويري بِالليزر
29 proof	بَرُوفَةٌ
30 high-resolution graphics screen, a large-format colour monitor	شاشة عالية الوضوح
31 display window	نافذة عَرْضُ
32 typographic parameters	البرامترات الطباعية
33 (typographic) command window	نافذة الأوامر الطباعية
34 film copier	جهاز نسخ الفيلم
35-46 cathode ray tube (CRT) typesetter	وَحْدَةٌ جَمْعُ بَانُوبِ أشعة الكاثود
35 scanning system	نظام المسح
36 scan-generating (scanning) cathode ray tube (CRT)	أَنْبُوبُ أشعة كاثود ماسح

37 lens	عَدْسَةٌ
38 character grid (matrix case)	كَلْفُ المَتَاريسِ
39 condenser lens	عَدْسَةٌ مَكثِّفَةٌ
40 photomultiplier	مُضَاعَفُ التيار الكهروضوئي
41 output system	نظام الإخراج
42 video amplifier	مُضَخِّمُ الإشارات الحاملة للصور
43 character-generating tube (CRT character generator)	أَنْبُوبُ توليد الحروف
44 exposure plane	سَطْحُ التعريض للضوء
45 matrix case	كَلْفُ المَتَاريسِ
46 guide claw	مُنْقَبِيَّةُ كَلْفِ المَتَاريسِ
177 Photomechanical Reproduction	الإِسْتِعْشَاشُ التَّصْوِيرِي
1 overhead process camera (overhead copying camera)	آلة تَصْوِيرٍ وَتَجْمِيعِ رَاسِيَّةِ
2 focusing screen (ground glass screen)	شاشة اسْتِقبَالِ الصُورَةِ
3 hinged screen holder	حَامِلُ شَاشَةِ مفصلي
4 graticule	مِقْيَاسُ العَيْنِيَّةِ
5 control console	كُونْسُولُ التَحْكُمِ
6 hinged bracket-mounted control panel	لَوْحَةٌ تَحْكُمُ مَرْكَبَةٌ عَلَى مفصلات
7 percentage focusing charts	إِبْرَاضَاتُ نِسْبَةِ التَّرْكِيزِ
8 vacuum film holder	حَامِلُ الفِلمِ
9 screen magazine	خِزَانَةُ الشَّاشَةِ
10 bellows	مُنْفَاحُ الكَامِيرَا
11 standard	مَقْدَمٌ (وَاجِهَةٌ) العَدْسَةِ
12 register device	جِهَازُ عَدَاةٍ
13 overhead gantry	حَامِلُ علوي
14 copyboard	لَوْحَةٌ نَحْتَةٌ (أَصُولُ العُرَادِ تصويرها)
15 copyholder	حَامِلُ [مَاسِك] الأَصْلِ العُرَادِ تصوير
16 lamp bracket	حَامِلُ مَصَابيحِ مَحورِي
17 xenon lamp	مَصْبِاحُ زِينُونِ للتصوير
18 copy (original)	الأَصْلُ العُرَادِ تصويره
19 retouching and stripping desk	نُضْدُ تَهْدِيدِ وَتَقطِيعِ الأفلامِ
20 illuminated screen	شاشة ضوئية
21 height and angle adjustment	مِقْبَضُ تعديل ارتفاع وزاوية مِيلِ النُضْدِ
22 copyboard	لَوْحَةُ الأَصْلِ
23 linen tester, a magnifying glass	عَدْسَةٌ فحْصِ الصُورَةِ
24 universal process and reproduction camera	آلة تصوير عامة للاستعشاش والتحميض
25 camera body	جِسْمُ الكَامِيرَا
26 bellows	مُنْفَاحُ الكَامِيرَا
27 lens carrier	حَامِلُ العَدْسَةِ
28 angled mirror	مِرْآةٌ مَائِلَةٌ
29 stand	حَامِلٌ
30 copyboard	لَوْحَةُ الأَصْلِ

37 lens	عَدْسَةٌ
38 character grid (matrix case)	كَلْفُ المَتَاريسِ
39 condenser lens	عَدْسَةٌ مَكثِّفَةٌ
40 photomultiplier	مُضَاعَفُ التيار الكهروضوئي
41 output system	نظام الإخراج
42 video amplifier	مُضَخِّمُ الإشارات الحاملة للصور
43 character-generating tube (CRT character generator)	أَنْبُوبُ توليد الحروف
44 exposure plane	سَطْحُ التعريض للضوء
45 matrix case	كَلْفُ المَتَاريسِ
46 guide claw	مُنْقَبِيَّةُ كَلْفِ المَتَاريسِ
177 Photomechanical Reproduction	الإِسْتِعْشَاشُ التَّصْوِيرِي
1 overhead process camera (overhead copying camera)	آلة تَصْوِيرٍ وَتَجْمِيعِ رَاسِيَّةِ
2 focusing screen (ground glass screen)	شاشة اسْتِقبَالِ الصُورَةِ
3 hinged screen holder	حَامِلُ شَاشَةِ مفصلي
4 graticule	مِقْيَاسُ العَيْنِيَّةِ
5 control console	كُونْسُولُ التَحْكُمِ
6 hinged bracket-mounted control panel	لَوْحَةٌ تَحْكُمُ مَرْكَبَةٌ عَلَى مفصلات
7 percentage focusing charts	إِبْرَاضَاتُ نِسْبَةِ التَّرْكِيزِ
8 vacuum film holder	حَامِلُ الفِلمِ
9 screen magazine	خِزَانَةُ الشَّاشَةِ
10 bellows	مُنْفَاحُ الكَامِيرَا
11 standard	مَقْدَمٌ (وَاجِهَةٌ) العَدْسَةِ
12 register device	جِهَازُ عَدَاةٍ
13 overhead gantry	حَامِلُ علوي
14 copyboard	لَوْحَةٌ نَحْتَةٌ (أَصُولُ العُرَادِ تصويرها)
15 copyholder	حَامِلُ [مَاسِك] الأَصْلِ العُرَادِ تصوير
16 lamp bracket	حَامِلُ مَصَابيحِ مَحورِي
17 xenon lamp	مَصْبِاحُ زِينُونِ للتصوير
18 copy (original)	الأَصْلُ العُرَادِ تصويره
19 retouching and stripping desk	نُضْدُ تَهْدِيدِ وَتَقطِيعِ الأفلامِ
20 illuminated screen	شاشة ضوئية
21 height and angle adjustment	مِقْبَضُ تعديل ارتفاع وزاوية مِيلِ النُضْدِ
22 copyboard	لَوْحَةُ الأَصْلِ
23 linen tester, a magnifying glass	عَدْسَةٌ فحْصِ الصُورَةِ
24 universal process and reproduction camera	آلة تصوير عامة للاستعشاش والتحميض
25 camera body	جِسْمُ الكَامِيرَا
26 bellows	مُنْفَاحُ الكَامِيرَا
27 lens carrier	حَامِلُ العَدْسَةِ
28 angled mirror	مِرْآةٌ مَائِلَةٌ
29 stand	حَامِلٌ
30 copyboard	لَوْحَةُ الأَصْلِ

- 31 halogen lamp مصباح هالوجين
 32 vertical process camera, a compact camera كاميرا تخطيط رأسية
 33 camera body جسم الكاميرا
 34 focusing screen شاشة استقبال الصورة
 35 vacuum back ظهر خوائي
 36 control panel لوحة التحكم
 37 flash lamp مصباح الفلاش
 38 mirror for right-reading images مرآة لضبط وضوح الصورة
 39 scanner (colour, *Am.* color, correction unit) جهاز فرز الألوان (سكانر)
 40 base frame قاعدة الجهاز
 41 lamp compartment حجرة المصابيح
 42 xenon lamp housing مبيت مصباح زينون
 43 feed motors مُحركات الإقلام
 44 transparency arm ذراع الشفافيات
 45 scanning drum أسطوانة فرز الألوان
 46 scanning head رأس فرز الألوان
 47 mask-scanning head رأس مسح "الماسك"
 48 mask drum أسطوانة "الماسك"
 49 recording space حيز التسجيل
 50 daylight cassette خزانة فيلم نهائية
 51 colour (*Am.* color) computer with control unit and selective colour correction كميبيوتر ألوان ذو وحدة تحكم وتصحيح ألوان انتقائية
 52 engraving machine ماكينة حفر
 53 seamless engraving adjustment تعديل الحفر غير الدرزي
 54 drive clutch قابض الإدارة
 55 clutch flange شفيق القابض
 56 drive unit وحدة الإدارة
 57 machine bed قاعدة الماكينة
 58 equipment carrier حامل المعدات
 59 bed slide زلاقة القاعدة
 60 control panel لوحة التحكم
 61 bearing block قالب الحمل
 62 tailstock غراب الذيل
 63 scanning head رأس فرز الألوان
 64 copy cylinder أسطوانة الأصل
 65 centre (*Am.* center) bearing محمل مركزي
 66 engraving system آلية الحفر
 67 printing cylinder أسطوانة الطبع
 68 cylinder arm ذراع الأسطوانة
 69 electronics (electronic) cabinet حجرة الإلكترونيات
 70 computers أجهزة الكمبيوتر
 71 program input دخل البرامج
 72 automatic film processor for scanner films وحدة معالجة آلية لأفلام جهاز فرز الألوان (سكانر)
178 Electrotyping and Block Making
1-6 electrotyping plant
 1 cleaning tank حوض تطهير

- 2 rectifier جهاز التصحيح
 3 measuring and control unit وحدة التحكم والقياس
 4 electroplating tank (electroplating bath, electroplating vat) حوض (مغطس) اللزلاء بالكهرباء
 5 anode rod (with copper anodes) قضيب الأنود
 6 plate rod (cathode) قضيب الكاثود
 7 hydraulic moulding (*Am.* molding) press مكبس قولبة هيدرولي
 8 pressure gauge (*Am.* gage) (manometer) مقياس الضغط
 9 apron القفورة التي سيئسج منها القالب
 10 round base قاعدة جسم المكبس المستديرة
 11 hydraulic pressure pump مضخة مكبس هيدرولي
 12 drive motor مُحرك الإدارة
 13 curved plate casting machine (curved electrotype casting machine) مسبك المصببات المقوسة
 14 motor المُحرك
 15 control knobs مفاتيح الضبط
 16 pyrometer مقياس درجات الحرارة العالية (بيرومتر)
 17 mouth piece فتحة جوييف الصب
 18 core غرفة الصب
 19 melting furnace فرن صهر سبيكة الرصاص
 20 starting lever ذراع التشغيل
 21 cast curved plate (cast curved electrotype) for rotary printing سطح طباعي مصبوب مقوس للطباعة الدوارة
 22 fixed mould (*Am.* mold) إطار ثابت للصب
 23 etching machine ماكينة حفر
 24 etching tank with etching solution (etchant, mordant) and filming agent (film former) حوض الحفر وبه مطول الحفر والمادة الفيلمية
 25 paddles عجلات قلابة
 26 turntable نضد دوار
 27 plate clamp قضبان تثبيت السطح الطباعي
 28 drive motor مُحرك الإدارة
 29 control unit وحدة التحكم
 30 twin etching machine ماكينة حفر ثنائية
 31 etching tank (etching bath) [in section] حوض الحفر [مقطع]
 32 photoprinted zinc plate السطح الطباعي المصنور
 33 paddle عجلة قلابة (إتقلب المطول)
 34 outlet cock (drain cock, *Am.* faucet) محبس تصريف المطول
 35 plate rack حامل اللوح (السطح الطباعي)
 36 control switches مفاتيح التشغيل
 37 lid غطاء الحوض

- 38 halftone photoengraving (halftone block, halftone plate), a block (plate, printing plate) الحفر الفوتوغرافي للصورة العظيمة (قالب الهافتون)
 39 dot (halftone dot), a printing element نقطة الشبكة الطباعية
 40 etched zinc plate لوح زنك محفور
 41 block mount (block mounting, plate mount, plate mounting) قاعدة الكليشيه (قاعدة السطح الطباعي)
 42 line block (line engraving, line etching, line plate, line cut) قالب (كليشيه) حنطي حفر
 43 non-printing, deep-etched areas المناطق غير المطلوب طباعتها، حفر غائر
 44 flange (bevel edge) الحافة المائلة (بيزو)
 45 sidewall جدار جانبي
179 Offset Platemaking
 1 plate whirler (whirler, plate-coating machine) for coating offset plates جهاز تدوير (دوار) لتغطية الأسطح المعدنية أو الزجاجية بالمحاليل الضخاسة للضوء
 2 sliding lid غطاء منزلق
 3 electric heater وحدة تسخين كهربائية
 4 temperature gauge مقياس درجة الحرارة (*Am.* gage)
 5 water connection for the spray unit توصيلة مياه وحدة الرش
 6 spray unit وحدة رش
 7 hand spray رشاش يدوي
 8 plate clamps قضبان تثبيت السطح الطباعي
 9 zinc plate (*also:* magnesium plate, copper plate) سطح طباعي (لوح) من الزنك (أيضا من المغنسيوم، النحاس)
 10 control panel لوحة تحكم
 11 drive motor مُحرك الإدارة
 12 brake pedal دواسة المكبح
 13 vacuum printing frame (vacuum frame, printing-down frame) إطار طبع بالتفريغ
 14 base of the vacuum printing frame (vacuum frame, printing-down frame) قاعدة الإطار
 15 plate glass frame الإطار الزجاجي للوح
 16 coated offset plate لوح الأوفست المغطى بالمحلول الضخاس للضوء
 17 control panel لوحة التحكم
 18 exposure timer مُنظم التعريض للضوء
 19 vacuum pump switches مفاتيح تشغيل مضخة التفريغ
 20 support حامل
 21 point light exposure lamp, a quartz-halogen lamp مصباح كوارتز-هالوجين
 22 fan blower ناقلح المروحة

- 23 stripping table (make-up table) for stripping films نضد تقطيع الأفلام (طاولة المونتاج)
 24 crystal glass screen لوح من الزجاج البلوري
 25 light box صندوق إضاءة
 26 straightedge rules مسطرة مستقيمة الحواف
 27 vertical plate-drying cabinet دولاب رأسي لتجفيف الألواح
 28 hygrometer هيجرومتر
 29 speed control مضبط السرعة
 30 brake pedal دواسة المكبح
 31 processing machine for presensitized plates ماكينة تخطيط الألواح الضخاسة
 32 burning-in oven for gluc-enamel plates (diaz plates) فرن ألواح الغراء والمينا (فرن ألواح الديازو)
 33 control box (control unit) وحدة التحكم
 34 diazo plate لوح الديازو
180 Offset Printing
 1 four-colour (*Am.* four-color) rotary offset press (rotary offset machine, web-offset press) ماكينة طباعة أوفست دوارة أربعة ألوان (ماكينة طبع أوفست شريطي)
 2 roll of unprinted paper (blank paper) لفة الورق غير المطبوع (الورق الأبيض)
 3 reel stand (carrier for the roll of unprinted paper) حامل لفة الورق غير المطبوع
 4 forwarding rolls طُنبور سحب الورق
 5 side margin control (margin control, side control, side lay control) آلية التحكم في الهامشيين الجانبيين
 6-13 inking units (inker units) وحدات (أسطوانات) التحبير
 6, 8, 10, 12 inking units (inker units) in the upper printing unit وحدات (أسطوانات) التحبير في وحدة الطباعة العلوية
 6-7 perfecting unit (double unit) for yellow وحدة طبع على الوجهين للون الأصفر
 7,9,11,13 inking units (inker units) in the lower printing unit وحدات التحبير في وحدة الطباعة السفلية
 8-9 perfecting unit (double unit) for cyan وحدة طبع على الوجهين للون السيان
 10-11 perfecting unit (double unit) for magenta وحدة طبع على الوجهين للون الماجنتا
 12-13 perfecting unit (double unit) for black وحدة طبع على الوجهين للون الأسود
 14 drier وحدة التجفيف
 15 folder (folder unit) ماكينة الطي (تطبيق الورق)
 16 control desk نضد التحكم
 17 sheet فرغ ورق
 18 four-colour (*Am.* four-color) rotary offset ماكينة طباعة أوفست دوارة أربعة ألوان (ماكينة طبع

press (rotary offset machine, web-offset press) [diagram]	أوفست شريطي (رسم تخطيني)
19 reel stand	حامل لفّة الورق
20 side margin control (margin control, side control, side lay control)	آلية التحكم فى الهامشين الجانبيين
21 inking rollers (ink rollers, inkers)	أسطوانة التحيير (المحبار)
22 ink duct (ink fountain)	المحبرة (كفّاية)
23 damping rollers (dampening rollers, dampers, dampeners)	أسطوانة التريط
24 blanket cylinder	طنبور الوسيط المطاطي الناقل (البلاستيك)
25 plate cylinder	طنبور السطح الطباعي
26 route of the paper (of the web)	مسار الورق/ شريط الورق
27 drier	وحدة التجفيف
28 chilling rolls (cooling rollers, chill rollers)	أسطوانة تبريد
29 folder (folder unit)	ماكينة الطي (تطبيق الورق)
30 four-colour (Am. four-color) sheet-fed offset machine (offset press) [diagram]	ماكينة طبع أوفست أربعة ألوان بأفرخ [رسم تخطيني]
31 sheet feeder (feeder)	مغذي أو توماتي بأفرخ الورق
32 feed table (feed board)	لوحة تغيم أفرخ الورق
33 route of the sheets through swing-grippers to the feed drum	مسار الورق عبر قوابض أرجوحية إلى طنبور الإلقام
34 feed drum	طنبور الإلقام بالورق
35 impression cylinder	طنبور الطباعة/ضاغط (أسطوانة الكبسة) المطنبور الناقل
36 transfer drums (transfer cylinders)	طنبور البلاستيك
37 blanket cylinder	طنبور السطح الطباعي
38 plate cylinder	وحدة التريط
39 damping unit (dampening unit)	وحدة التحيير
40 inking unit (inker unit)	وحدة الطبع
41 printing unit	أسطوانة سحب الأفرخ المطبوعة
42 delivery cylinder	سحب الأفرخ المطبوعة
43 chain delivery	رصة الأفرخ المطبوعة
44 delivery pile	وحدة سحب الأفرخ المطبوعة
45 delivery unit (delivery mechanism)	ماكينة طبع أوفست لون واحد
46 single-colour (Am. single-color) offset press (offset machine)	رصة الورق الأبيض
47 pile of paper (sheets, printing paper)	مغذي أو توماتي لأفرخ الورق
48 sheet feeder (feeder), an automatic pile feeder	طاولة تغيم الماكينة بأفرخ الورق
49 feed table (feed board)	

50 inking rollers (ink rollers, inkers)	أسطوانة التحيير
51 inking unit (inker unit)	وحدة التحيير
52 damping rollers (dampening rollers, dampers, dampeners)	أسطوانة التريط
53 plate cylinder, a zinc plate	طنبور السطح الطباعي
54 blanket cylinder, a steel cylinder with rubber blanket	طنبور الوسيط المطاطي الناقل (البلاستيك)
55 pile delivery unit for the printed sheets	لوحة سحب الأفرخ المطبوعة
56 gripper bar, a chain gripper	عربة فقط بجنزير
57 pile of printed paper (printed sheets)	رصة الورق المطبوع (أفرخ مطبوعة)
58 guard for the V-belt (vee-belt) drive	وقاء إدارة السير
59 single-colour (Am. single-color) offset press (offset machine) [diagram]	ماكينة طبع أوفست لون واحد [رسم تخطيني]
60 inking unit (inker unit) with inking rollers (ink rollers, inkers)	وحدة التحيير ومعها أسطوانة التحيير
61 damping unit (dampening unit) with damping rollers (dampening rollers, dampers, dampeners)	وحدة التريط وأسطوانة التريط
62 plate cylinder	طنبور السطح الطباعي
63 blanket cylinder	طنبور البلاستيك
64 impression cylinder	طنبور الطباعة/ضاغط
65 delivery cylinders with grippers	أسطوانة سحب الورق المطبوع والبس
66 drive wheel	ترس الإدارة
67 feed table (feed board)	طاولة تغيم الماكينة بأفرخ الورق
68 sheet feeder (feeder)	آلية تغيم الماكينة بأفرخ الورق
69 pile of unprinted paper (blank paper, unprinted sheets, blank sheets)	رصة الورق الأبيض غير المطبوع
70 small sheet-fed offset press	ماكينة طبع أوفست بأفرخ صغيرة
71 inking unit (inker unit)	وحدة التحيير
72 suction feeder	آلية تغيم شفافة
73 pile feeder	آلية تغيم أفرخ الورق
74 instrument panel (control panel) with counter, pressure gauge (Am. gage), air regulator, and control switch for the sheet feeder (feeder)	لوحة التحكم وبها العداد وقياس الضغط ومنظم الهواء ومفتاح التشغيل الخاصة بألية التتقيم
75 flat-bed offset press (offset machine)	ماكينة طبع تجارب أوفست ذات نحاسة مسطحة

press, proof press)	
76 inking unit (inker unit)	وحدة التحيير
77 inking rollers (ink rollers, inkers)	أسطوانة التحيير
78 bed (press bed, type bed, forme bed, Am. form bed)	قاعدة السطح الطباعي (النحاسة)
79 cylinder with rubber blanket	طنبور بوسيط مطاطي ناقل (بلاستيك)
80 starting and stopping lever for the printing unit	ذراع تشغيل وحدة الطباعة
81 impression-setting wheel (impression-adjusting wheel)	عجلة تنظيم الضغط
181 Letterpress Printing	طريقة طباعة الحروف (الطباعة البارزة)
1-65 presses (machines) for letterpress printing (letterpress printing machines)	ماكينات طباعة الحروف (الطباعة البارزة)
1 two-revolution flat-bed cylinder press	ماكينة طباعة بقاعدة مسطحة ذات دورتين
2 impression cylinder	أسطوانة الكبسة
3 lever for raising or lowering the cylinder	ذراع رفع وخفض الأسطوانة
4 feed table (feed board)	طاولة التغذية بالورق
5 automatic sheet feeder (feeder) [operated by vacuum and air blasts]	وحدة تغيم الورق أليا (مغذي أو توماتي لأفرخ الورق)
6 air pump for the feeder and delivery	مضخة هوائية لتشغيل وحدة تغيم وسحب الورق
7 inking unit (inker unit) with distributing rollers (distributor rollers, distributors) and forme rollers (Am. form rollers)	وحدة التحيير أسطوانة توزيع الحبر والنحاسة
8 ink slab (ink plate) inking unit (inker unit)	وحدة التحيير
9 delivery pile for printed paper	رصة الورق المطبوع
10 sprayer (anti set-off apparatus, anti set-off spray) for dusting the printed sheets	رشاش لتعفير الأفرخ المطبوعة
11 interleaving device	جهاز الأفرخ البيئية
12 foot pedal for starting and stopping the press	نؤاسة القدم لتشغيل وإيقاف الماكينة
13 platen press (platen machine, platen) [in section]	ماكينة طبع بكأسية مسطحة [مقطع]
14 paper feed and delivery (paper feeding and delivery unit)	وحدة تغذية الماكينة بالورق وسحب بعد الطباعة
15 platen	الكبسة
16 toggle action (toggle-	اتجاه الكبسة ذهاباً ورجوعاً

joint action)	(فعل مفصلي)
17 bed (type bed, press bed, forme bed, Am. form bed)	النحاسة (مكان الفورمة)
18 forme rollers (Am. form rollers) (forme-inking, Am. form-inking, rollers)	أسطوانة تحبير النحاسة (شلتدرات الفورمة)
19 inking unit (inker unit) for distributing the ink (printing ink)	وحدة التحيير الخاصة بتوزيع حبر الطباعة
20 stop-cylinder press (stop-cylinder machine)	ماكينة طبع بأسطوانة إيقاف
21 feed table (feed board)	طاولة تغذية الماكينة بالورق
22 feeder mechanism (feeding apparatus, feeder)	آلية تغذية الماكينة بالورق
23 pile of unprinted paper (blank paper, unprinted sheets, blank sheets)	رصة الورق الأبيض (غير المطبوع)
24 guard for the sheet feeder (feeder)	وقاء آلية التغذية بالورق
25 pile of printed paper (printed sheets)	رصة الورق المطبوع
26 control mechanism	آلية التشغيل
27 forme rollers (Am. form rollers) (forme-inking, Am. form-inking, rollers)	أسطوانة تحبير النحاسة (شلتدرات الفورمة)
28 inking unit (inker unit)	وحدة التحيير
29 [Heidelberg] platen press (platen machine, platen)	ماكينة طباعة هايدلبرج بكأسية مسطحة
30 feed table (feed board) with pile of unprinted paper (blank paper, unprinted sheets, blank sheets)	طاولة تغذية الماكينة بالورق وعليها رصة ورق أبيض غير مطبوع
31 delivery table	طاولة سحب الورق
32 starting and stopping lever	ذراع التشغيل والإيقاف
33 delivery blower	نافخ سحب الورق
34 spray gun (sprayer)	رشاش
35 air pump for vacuum and air blasts	مضخة هوائية لدفع الهواء
36 locked-up forme (Am. form)	فورمة مربوطة فى طوق (شاشيه)
37 type (type matter, matter)	الصفحات المجموعه
38 chase	البشاشيه
39 quoin	قفل ربط الصفحات فى الطوق (سكينة)
40 length of furniture	مواد مالهة (تواصيب ورفائق)
41 rotary letterpress press (rotary letterpress machine, web-fed	ماكينة طبع الجرائد حتى 16 صفحة (ماكينة طباعة حروف دوارة)

صناديق التجميع بالكرتون
شفاطات الكرتون
حَلَّة الغراء (حَلَّة)
أَسْطُوَانَة تغرية
رأس اللاقط بجهاز الشفط
طاولة التغذية بمواد
التغليف [كتان، ورق، جلد]

7 board feed hoppers
8 pick-up suckers
9 glue tank
10 cover cylinder
11 picker head
12 feed table for covering materials [linen, paper, leather]
13 pressing mechanism
14 delivery table
15 gang stitcher (gathering and wire-stitching machine, gatherer and wire stitcher)
16 sheet feeder (sheet-feeding station)
17 folder-feeding station
18 stitching wire feed mechanism
19 delivery table
20 rotary board cutter (rotary board-cutting machine)
21 feed table with cut-out section
22 rotary cutter
23 feed guide

مَسْدَق تقطيع ورق الذهب
سكين تقطيع ورق الذهب
خِيَاطة الملازم
إطار خياطة الملازم
الشَّدَة يدويًا
دوَابَرَة (خيطة) خِيَاطة بكرة خَيْط
مَلْمَمَة من الكِتَاب مَعْدَة للخياطة
سكين المَجْدَد
تغرية كَعْب الكِتَاب
إِنَاء الغراء
سكينة كرتون (مقص كرتون)
مُحَدَّد قياس القمص (زاوية خلفية)
قائمة عمل يدوآسة
نَمَل سكين القطع
مآكينة قمت الملازم القاشمة
كتلة الرأس
محزور دوران
دولاب يدوي
كاشسة مسطحة
قاعدة
مآكينة تذهيب وبضن بارز

6 gold cushion
7 gold knife
8 sewing (stitching)
9 sewing frame
10 sewing cord
11 ball of thread (sewing thread)
12 section (signature)
13 bookbinder's knife
14 gluing the spine
15 glue pot
16 board cutter (guillotine)
17 back gauge (Am. gage)
18 clamp with foot pedal
19 cutting blade
20 standing press, a nipping press
21 head piece (head beam)
22 spindle
23 handwheel
24 platen
25 bed (base)
26 gilding (gold blocking) and embossing press, a hand-lever press; sim.: toggle-joint press (toggle-lever press)
27 heating box
28 sliding plate
29 embossing platen
30 toggle action (toggle-joint action)
31 hand lever
32 book sewn on gauze (mull, scrim) (book block)
33 gauze (mull, scrim)
34 sewing (stitching)
35 headband

أَسْطُوَانَة نحاسية مصقولة
مُتَبَوِّر مطاطي للضغط على الورق المصنَّع المطبوع
مآكينة طبع بمتبوير ضاغط
مُتَبَوِّر طبع غائر مَعْطَى ببطقة من الورق المصنَّع
حَوْض الإِظْهَار
مرحلة
أَسْطُوَانَة مَظْهَرَة
عامل التذهيب يقوم بعمل الرُوش
مآكينة حَفْر
حَوْض حَفْر به محلول الحَفْر
أَسْطُوَانَة طبع غائر مطبوعة
عامل مآكينة طبع من سَطْح غائر
قَرَص حاسب
جهاز توقيت
تصحيح الأَسْطُوَانَة
أَسْطُوَانَة طبع غائر مَحْفُورَة رف
مآكينة طبع غائر شريطي
متعددة الألوان (مآكينة الفوتوغرافوير)
ماسورة تصريف أبخرة المذيبات المتطايرة
وَحْدَة طباعة يمين ويسار
جهاز الطبع
مِنْضَدَة التشغيل والتحكم
وَحْدَة سحب الجرائد
سَيَّر ناقل
رَصَة من الجرائد

machine (laydown machine, laying machine)
7 polished copper cylinder
8 rubber roller for pressing on the printed carbon tissue (pigment paper)
9 cylinder-processing machine
10 gravure cylinder coated with carbon tissue (pigment paper)
11 developing tank
12 staging
13 developed cylinder
14 retoucher painting out (stopping out)
15 etching machine
16 etching tank with etching solution (etchant, mordant)
17 printed gravure cylinder
18 gravure etcher
19 calculator dial
20 timer
21 revising (correcting) the cylinder
22 etched gravure cylinder
23 ledge
24 multicolour (Am. multicolor) rotogravure press
25 exhaust pipe for solvent fumes
26 reversible printing unit
27 folder (folder unit)
28 control desk
29 newspaper delivery unit
30 conveyor belt (conveyor)
31 bundled stack of newspapers

أَسْطُوَانَات لَقَطْع أو شق شريط الورق طولياً
شريط الورق
مُتَبَوِّر الطباعة/ضاغط
أَسْطُوَانَة شد شريط الورق
لَفَة (بويينة) الورق
كآبجة (مزملة) ذاتية للفة الورق
عجلة ضبط الكَبْسَة الطبَّاعية الأولى
عجلة ضبط الطبع على الوجهين
وَحْدَة التحبير
مُتَبَوِّر السَطْح الطبَّاعي (مُتَبَوِّر الفورمة)
مُتَبَوِّر طبع اللون الثاني
وَحْدَة تسليم شريط الورق المطبوع إلى جهاز الطبع
تاكومتر وعداد السَّحْب المطلوبة
جهاز الطبع
جرائد مطوية (مطبقة)
وَحْدَة التحبير في مآكينة الطبع الدَّوَارَة
شريط الورق
مُتَبَوِّر الطباعة/ضاغط
مُتَبَوِّر السَطْح الطبَّاعي
أَسْطُوَانَات الفورمة (شلندرات الفورمة)
أَسْطُوَانَات توزيع الحبر
أَسْطُوَانَات تحبير الناقلَة
أَسْطُوَانَة المَحْبَرَة (شلندر الكمائية)
المَحْبَرَة

Printing Industry / صناعة الطباعة
letterpress machine) for newspapers of up to 16 pages
42 slitters for dividing the width of the web
43 web
44 impression cylinder
45 jockey roller (compensating roller, compensator, tension roller)
46 roll of paper
47 automatic brake
48 first printing unit
49 perfecting unit
50 inking unit (inker unit)
51 plate cylinder
52 second printing unit
53 former
54 tachometer with sheet counter
55 folder (folder unit)
56 folded newspaper
57 inking unit (inker unit) for the rotary press (web-fed press) [in section]
58 web
59 impression cylinder
60 plate cylinder
61 forme rollers (Am. form rollers) (forme-inking, Am. forme-inking, rollers)
62 distributing rollers (distributor rollers, distributors)
63 lifter roller (ductor, ductor roller)
64 duct roller (fountain roller, ink fountain roller)
65 ink duct (ink fountain)

آيَّة الكبس
لَوْحَة استقبال الأغلفة الجاهزة
مآكينة تجميع وتدبيس (خزم) الملازم
مَسْحَة التلقيح
مَسْحَة تلقيح جهاز الطبع
آيَّة التدبيس (رروس التدبيس، الخَزَام)
طاولة استقبال الملازم المذبذبة
مآكينة قَطْع أفرخ دَوَارَة
طاولة التغذية بأفرخ الورق
مقص نَوَار
دليل التغذية

185 Bookbinding III

1-35 bookbinding machines
1 guillotine (guillotine cutter, automatic guillotine cutter)
2 control panel
3 clamp
4 back gauge (Am. gage)
5 calibrated pressure adjustment [to clamp]
6 illuminated cutting scale
7 single-hand control for the back gauge (Am. gage)
8 combined buckle and knife folding machine (combined buckle and knife folder)
9 feed table (feed board)
10 fold plates
11 stop for making the buckle fold
12 cross fold knives
13 belt delivery for parallel-folded

صندوق التسخين
لَوْح مَزْلِق
لَوْح البَضْم البارز
اتجاه الكَبْسَة ذهاباً ورجوعاً
ذراع يدوي
كِتَاب مَخيَط على الشاشة (كِتَاب غير مُجَدَّد)
شاش
خياطة
شريط الرأس (حِجَّة الرأس)
تَجْلِيد الكِتَاب (2)
مآكينة تَجْلِيد الكِتَاب
مآكينة تَجْلِيد بالبلاستيك (مآكينة تَجْلِيد كامل)
وَحْدَة التلقيح اليدوي
سكين القطع ووحدة التجهيز الأولى
آيَّة التغرية
سحب الكِتَاب
مآكينة صنع الأغلفة (الجِلْدَات)

27 heating box
28 sliding plate
29 embossing platen
30 toggle action (toggle-joint action)
31 hand lever
32 book sewn on gauze (mull, scrim) (book block)
33 gauze (mull, scrim)
34 sewing (stitching)
35 headband
184 Bookbinding II
1-23 bookbinding machines
1 adhesive binder (perfect binder) for short runs
2 manual feed station
3 cutoff knife and roughing station
4 gluing mechanism
5 delivery (book delivery)
6 case maker (case-making machine)

أَسْطُوَانَة طبع غائر مَحْفُورَة رف
مآكينة طبع غائر شريطي
متعددة الألوان (مآكينة الفوتوغرافوير)
ماسورة تصريف أبخرة المذيبات المتطايرة
وَحْدَة طباعة يمين ويسار
جهاز الطبع
مِنْضَدَة التشغيل والتحكم
وَحْدَة سحب الجرائد
سَيَّر ناقل
رَصَة من الجرائد
تَجْلِيد الكِتَاب (1)
تَجْلِيد الكِتَاب يدويًا
تذهيب كَعْب الكِتَاب
عامل التذهيب
شُرَيْط
مَكْبَس تثبيت
ورقة ذهب

23 etched gravure cylinder
23 ledge
24 multicolour (Am. multicolor) rotogravure press
25 exhaust pipe for solvent fumes
26 reversible printing unit
27 folder (folder unit)
28 control desk
29 newspaper delivery unit
30 conveyor belt (conveyor)
31 bundled stack of newspapers
183 Bookbinding I
1-35 hand bookbinding (hand bindery)
1 gilding the spine of the book
2 gold finisher (gilder), a bookbinder
3 fillet
4 holding press (finishing press)
5 gold leaf

شريط الورق
مُتَبَوِّر الطباعة/ضاغط
مُتَبَوِّر السَطْح الطبَّاعي
أَسْطُوَانَات الفورمة (شلندرات الفورمة)
أَسْطُوَانَات توزيع الحبر
أَسْطُوَانَات تحبير الناقلَة
أَسْطُوَانَة المَحْبَرَة (شلندر الكمائية)
المَحْبَرَة
الطَّبَّاعَة بِالْحَفْر الصَّوْفِي
تعريض الورق المصنَّع (النسيج الكربوني) للضوء
إطار طبع بالتفريغ
لمبات الضوء، صَف من مصابيح كوارتز-هالوجين
مصباح مصدري
جهاز طرد الحرارة
مآكينة نَاقِلَة للورق المصنَّع

182 Photogravure (Gravure Printing, Intaglio Printing)
1 exposure of the carbon tissue (pigment paper)
2 vacuum frame
3 exposing lamp, a bank of quartz-halogen lamps
4 point source lamp
5 heat extractor
6 carbon tissue transfer

signatures	وَحْدَةُ العَلِيَّةِ الثالثة (طية)	49 fly leaf (endpaper, endleaf)	بَطْمانَةُ الكِتَابِ
14 third cross fold unit	عَرْضِيَّة)	50 handwritten dedication	إهداء بِحَظِّ اليَدِ
15 delivery tray for cross-folded signatures	صندوق اسْتِقْبالِ العَمَلارِمِ المطوية بِطَيَّاتٍ عَرْضِيَّة (مُتعامدة)	51 bookplate (ex libris)	بطاقة مِلِكِيَّة الكِتَابِ
16 sewing machine (book-sewing machine)	مَأْكِيئة خِيَاطَة	52 open book	كِتاب مَفْتوح
17 spool holder	حامل بِكَرات الخِيَطِ	53 page	صَفْحَة مطبوعَة
18 thread cop (thread spool)	بِكَرَة خِيَطٍ مَخروطة الشكْلِ	54 fold	طَيَّة (ثنية)
19 gauze roll holder (mull roll holder, scrim roll holder)	حامل بِكَرَة الشاشِ (حامل بِكَرَة من نسيج شفاف)	55-58 margin	هامش داخلي
20 gauze (mull, scrim)	شاش أو نسيج شفاف لدعم كعب الكِتَابِ	55 back margin (inside margin, gutter)	هامش علوي (هامش الرأس)
21 needle cylinders with sewing needles	مَسَاكات إِبْر الخِيَاطَة	56 head margin (upper margin)	هامش خارجي (جانبي)
22 sewn book	كِتاب بِمَلارِمِ مَحِيطة	57 fore edge margin (outside margin, fore edge)	هامش سفلي (هامش الذيل)
23 delivery	صِنِيبة رَصَن الكعبِ المَحِيطة	58 tail margin (foot margin, tail, foot)	منطقة جَمْع (النص)
24 reciprocating saddle	حامل (حصان) التلقيم	59 type area	عُنوان الفَصْلِ أو الباب
25 sheet feeder (feeder)	بالمَلارِمِ	60 chapter heading	نِجمة أو علامة إحالة إلى مَرْجِع
26 feed hopper	أليَّة التلقيم	61 asterisk	ملاحظة أو حاشية بِهامشِ الذيل
27 casing-in machine	كروتون التغذية	62 footnote	رَقْم الصَفْحَة
28 joint and side pasting attachment	مَأْكِيئة تلبس الشَفْحَة	63 page number	جَمْع على عُنودين
29 blade	أليَّة التفريغ	64 double-column page	عُنود جَمْع
30 preheater unit	سلاح لِحْمَل الكِتَابِ	65 column	عُنوان مُتكرِّر (سَيَّار)
31 gluing machine for whole-surface, stencil, edge, and strip gluing	وَحْدَة التسخين الأوَّلِي	66 running title (running head)	عُنوان مُتكرر ثانوي
32 glue tank	مَأْكِيئة تصمِيع السطحِ	67 caption	ملاحظة في الهامش
33 glue roller	بِالكامل والاسْتسَلِ والحادَة والشرائط	68 marginal note (side note)	الخارجي (الجانبي)
34 feed table	خَزَّانِ المِصمِغِ	69 signature (signature code)	علامة تسلسل المَلزَمَة
35 delivery	أسطوانة التصمِيعِ	70 attached bookmark (attached bookmarker)	شرط لتحديد الصَفْحَة في الكِتَابِ
36 book	طاولة التغذية	71 loose bookmark (loose bookmarker)	جَدَاة لتحديد الصَفْحَة في الكِتَابِ
37 dust jacket (dust cover, book jacket, wrapper)	طاولة اسْتِقْبالِ كِتَابِ		
38 jacket flap	سَترَة الكِتَابِ (جاكيت)		
39 blurb	لِسَانِ السَترَة/ الجاكتِ		
40-42 binding	تَعْرِيف بِالكِتَابِ (تويه)		
40 cover (book cover, case)	التغليف		
41 spine (backbone, back)	غِلاف/ جِلْدَة الكِتَابِ		
42 tailband (footband)	كَعْب الكِتَابِ		
43-47 preliminary matter (prelims, front matter)	حِكْمَة ذَيْلِ كَعْب الكِتَابِ		
43 half-title	المادَة المُتهدِيَة		
44 half-title (bastard title, fly title)	صَفْحَة العُنوانِ المُختصرِ للكِتَابِ		
45 title page	عُنوان مُختصر للكِتَابِ		
46 full title (main title)	صَفْحَة عُنْوَان الكِتَابِ (العُنوانِ الداخلي)		
47 subtitle	العُنوانِ الرَّئيسي لِلكِتَابِ		
48 publisher's imprint (imprint)	عُنْوَان ثانوي		
	شِعار الناشرِ		

12 door handle (handle)	مِقْبَض الباب	45 troika (Russian three-horse carriage)	عَرَبِيَّة التَرْيُوكَة (عَرَبِيَّة روسِيَّة بِجُرها ثلاثة جِياد)
13 footboard (carriage step, coach step, step, footpiece)	مُوطِي العَرَبِيَّة	46 leader (wheel horse, pole horse)	جواد المُقَدِّم
14 fixed top	سَقْف ثابت	47 wheeler (wheel horse, pole horse)	جواد العَجَلَة
15 spring	نايِض، سوستَة	48 English buggy	عَرَبِيَّة البُوِيَّةِ الإِنجِلِيزِيَّة
16 brake (brake block)	مَكْبِيع، فِرْمَلَة	49 American buggy	عَرَبِيَّة البُوِيَّةِ الأَمْرِيكِيَّة
17 back wheel (rear wheel)	عَجَلَة خَلْفِيَة	50 tandem	عَرَبِيَّة التَنَدَمِ
18 dogcart, a one-horse carriage	عَرَبِيَّة الكَلْبِيَّة	51 vis-à-vis	عَرَبِيَّة مُقاعدها مُتقابِلَة
19 shafts (thills, poles)	عَرِيش العَرَبِيَّة	52 collapsible hood (collapsible top)	سَقْف مُتحرِّك
20 lackey (lacquey, footman)	خادِم بِرِئدي بَرَّة خاصَة (المِعِينِ)	53 mailcoach (English stagecoach)	عَرَبِيَّة البريدِ
21 livery	بَرَّة الخادِمِ	54 covered (closed) chaise	عَرَبِيَّة شِيَر مُطْفَأَة
22 braided (gallooned) collar	ياقَة مَرْكشَة		
23 braided (gallooned) coat	مِعطف مَرْكشِ		
24 braided (gallooned) sleeve	كَم مَرْكشِ		
25 top hat	قَبْعَة مرتفعة		
26 hackney carriage (hackney coach, cab, growler, Am. hack)	عَرَبِيَّة أَجْرَة		
27 stableman (groom)	عامِل الإِسْطَبَلِ		
28 coach horse (carriage horse, cab horse, thill horse, thiller)	حصان جَر العَرَبِيَّة		
29 hansom cab (hansom), a cabriolet, a one-horse chaise (one-horse carriage)	عَرَبِيَّة المَسْجُومِيَّة، عَرَبِيَّة بِجَرها حصان واحد		
30 shafts (thills, poles)	عَرِيش العَرَبِيَّة		
31 reins (rein, Am. line)	العنان (اللِجام)		
32 coachman (driver) with inverness	سائق العَرَبِيَّة بِرِئدي الأَنفَرَناسِيَّة		
33 covered char-a-banc (brake, break), a pleasure vehicle	أوتوبيوس (للتنزه والتجول)		
34 gig (chaise)	عَرَبِيَّة خفيفة بِجَرها حصان واحد (عربة الشيز)		
35 barouche	عَرَبِيَّة البروشَة		
36 landau, a two-horse carriage, sim.:	عَرَبِيَّة اللَدَّوِيَّة		
landaulet, landalette	عَرَبِيَّة الأومِينِيوس		
37 omnibus (horse-drawn omnibus)	عَرَبِيَّة الفَيْتُون		
38 phaeton	مَرْكَبَة جِياد عَموميَّة للسفر		
39 Continental stage-coach (mailcoach, diligence); also: road coach	حُوذِي عَرَبِيَّة البريدِ		
40 mailcoach driver	بوق البريدِ		
41 posthorn	غِطاء العَرَبِيَّة		
42 hood	جِياد عَرَبِيَّة البريدِ		
43 post horses (relay horses, relays)	البِتِيرِيَّة		
44 tilbury			

27 spoke	شعاع العجلة	back-pedal brake (with coaster brake)	بدواسة خلفية
28 rim (wheel rim)	الحافة (حافة العجلة)	64 safety nut	صامولة آمان
29 spoke nipple (spoke flange, spoke end)	طرّف الشعاع	65 lubricator	مشحمة
30 tyre (<i>Am.</i> tire) (pneumatic tyre, high-pressure tyre); <i>inside</i> : tube (inner tube), <i>outside</i> : tyre (outer case, cover)	الإطار [إطار مملوء بالهواء المضغوط] (من الداخل أنبوب، من الخارج غلاف من المطاط)	66 brake arm	ذراع الفرملة
31 valve, a tube valve with valve tube or a patent valve with ball	بلف، صمام	67 brake arm cone	مخروط ذراع الفرملة
32 valve sealing cap	غطاء إحكام البلف	68 bearing cup with ball bearings in ball race	حُقّ المحمّل وبه حامل كُرَيَات في مدرجة كُرَيَات غلاف القَب
33 bicycle speedometer with milometer	عداد سُرعة الدراجة وعداد المسافة	69 hub shell (hub body, hub barrel)	صندوق الفرملة
34 kick stand (prop stand)	مِسند للدراجة	70 brake casing	مخروط الفرملة
35-42 bicycle drive (chain drive)	إدارة (سلسلة/ جِزْير دفع) الدراجة	71 brake cone	أداة تدوير/ دفع
35-39 chain transmission	نقل الحركة	72 driver	أسطوانة الدفع
35 chain wheel	بالسلسلة/ بالجِزْير	73 driving barrel	قرص مسنّن
36 chain, a roller chain	سلسلة (جِزْير)	74 sprocket	رأس سن اللولب
37 chain guard	وقاء السلسلة/ الجِزْير	75 thread head	سحور
38 sprocket wheel (sprocket)	قرص مسنّن	76 axle	كتيبة
39 wing nut (fly nut, butterfly nut)	صامولة سنجحة	77 bracket	دواسة (بِذال) الدراجة
40 pedal	دواسة (بِذال)	78 bicycle pedal (pedal, reflector pedal)	حُقّ
41 crank	ذراع تدوير	79 cup	محور دُوران
42 bottom bracket bearing	محمّل الكتيبة السفلي	80 spindle	محور
43 rear mudguard (<i>Am.</i> rear fender)	وقاء الوحل الخلفي	81 axle	غطاء واقٍ من الأتربة
44 luggage carrier (carrier)	مِسند الأمتعة (حامل)	82 dust cap	إطار الدواسة
45 reflector	عاكس للضوء	83 pedal frame	وتد مطاطي
46 rear light (rear lamp)	مصباح خلفي	84 rubber stud	كتلة مطاطية
47 footrest	مِسند القدم	85 rubber block (rubber tread)	عاكس رُجاعي
48 bicycle pump	منفاخ الدراجة	86 glass reflector	
49 bicycle lock, a wheel lock	قفل عجلة الدراجة		
50 patent key	مفتاح مسطح		
51 cycle serial number (factory number, frame number)	رقم مسلسل الدراجة		
52 front hub (front hub assembly)	مجموعة القَب الأمامي		
53 wheel nut	صامولة تثبيت العجلة		
54 locknut (locking nut)	صامولة زلق		
55 washer (slotted cone adjusting washer)	وردة/ حلقة لإحكام الربط		
56 ball bearing	محمّل كُرَيَات		
57 dust cap	غطاء واقٍ من الأتربة		
58 cone (adjusting cone)	مخروط		
59 centre (<i>Am.</i> center) hub	القَب المركزي		
60 spindle	محور دوران		
61 axle	محور		
62 clip covering lubrication hole (lubricator)	مشبك تغطية المشحمة		
63 free-wheel hub with	قَب دولاب حرّ ذو فرملة		

19 speedometer (<i>coll.</i> speed)	عداد السرعة	55 foot gear-change control (foot gearshift control)	آلية نقل السرعة بالقدم
20 battery-powered moped, an electrically-powered vehicle	دراجة تعمل بالبطارية	56 high-riser, <i>sim.</i> : Chopper	دراجة مرتفعة المقود
21 swivel saddle	مقعد دوار	57 high-rise handlebar (handlebars)	مقود مرتفع
22 battery compartment	خزانة البطارية	58 imitation motorcycle fork	شوكة شبيهة بشوكة الدراجة النارية
23 wire basket	سلة سلكية	59 banana saddle	سرج (مقعد) على شكل موزة
24 touring motor (moped)	دراجة بمحرك صغير للتنزه	60 chrome bracket	كتيافة من الكروم
25 pedal crank (pedal drive, starter pedal)	دواسة بدء التشغيل		
26 single-cylinder two-stroke engine	مُحرك ثنائي الأشواط ذو أسطوانة واحدة		
27 spark-plug cap	غطاء شمعة الشرر (غطاء البوجيه)		
28 fuel tank (petrol tank, <i>Am.</i> gasoline tank)	خزان الوقود		
29 moped headlamp (front lamp)	مصباح أمامي		
30-35 handlebar fittings	تركيبات المقود		
30 twist grip throttle control (throttle twist grip)	مقبض التحكم في صمام الاختناق		
31 twist grip (gear-change, gearshift)	مقبض تغيير السرعة		
32 clutch lever	ذراع القابض		
33 hand brake lever	ذراع الفرملة اليدوية		
34 speedometer (<i>coll.</i> speed)	عداد السرعة		
35 rear-view mirror (mirror)	مرآة الرؤية الخلفية		
36 front wheel drum brake (drum brake)	الفرملة الأسطوانية لعجلة الأمامية		
37 Bowden cables (brake cables)	كيبالات الفرملة		
38 stop and tail light unit	وحدة المصابيح الخلفية ومصباح التوقف		
39 light motorcycle with kickstarter	دراجة نارية خفيفة بآلية بدء تشغيل تعمل بالقدم		
40 housing for instruments with speedometer and electronic rev counter (revolution counter)	مبيت الآلات مع عداد السرعة وعداد اللفات الإلكتروني		
41 telescopic shock absorber	ممتص صدمات تليسكوبي		
42 twin seat	مقعد مزدوج		
43 kickstarter	آلية بدء التشغيل بالقدم		
44 pillion footrest, a footrest	مِسند قَدَمَيْن للراكب الخلفي		
45 handlebar (handlebars)	مقود		
46 chain guard	وقاء الجِزْير/السلسلة		
47 motor scooter (scooter)	دراجة "سكوتر" بمحرك لوح جانبي قابل للفصل		
48 removable side panel	إطار أنبوبي		
49 tubular frame	أسطح إنسيابية		
50 metal fairings	مِسند الدراجة		
51 prop stand (stand)	فرملة تعمل بالقدم		
52 foot brake	بوق		
53 horn (hooter)	خلفاء لتطويق حقيبة يد أو حقيبة خفيفة		
54 hook for handbag or briefcase			

shift lever)	مقبض التحكم في ميمام
29 twist grip throttle control (throttle twist grip)	مقبض التحكم في ميمام الاختناق
30 rear-view mirror (mirror)	مرآة الرؤية الخلفية
31-58 heavy (heavy-weight, large-capacity) motorcycles	درجات نارية ثقيلة (كبيرة السعة)
31 heavyweight motorcycle with water-cooled engine	دراجة نارية ثقيلة ذات محرك تبريد ماء
32 front disc (disk) brake	فرملة قرصية أمامية
33 disc (disk) brake calliper (caliper)	الآلية الفكية للفرملة القرصية
34 floating axle	محور طاف
35 water cooler	مبرد ماء
36 fuel tank (petrol tank, Am. gasoline tank)	خزان الوقود
37 indicator (indicator light, turn indicator light)	ضوء إرشادي للانعطاف
38 kickstarter	آلية بدء التشغيل بالقدم
39 water-cooled engine	محرك تبريد ماء
40 speedometer	عداد السرعة
41 rev counter (revolution counter)	عداد اللفات
42 rear indicator (indicator light)	مصابيح إرشادي خلفي
43 heavy (heavyweight, high-performance) machine with fairing [1000 cc]	ماكينة ثقيلة إنسيابية السطح [1000 سي سي]
44 integrated streamlining, an integrated fairing	سطح إنسيابي متكامل
45 indicator (indicator light, turn indicator light)	ضوء إرشادي للانعطاف
46 anti-mist windscreen (Am. windshield)	حاجب ريع مقاوم للضباب
47 horizontally-opposed twin engine with cardan transmission	محرك مزدوج متقابل أفقياً ذو ناقل حركة كارداني
48 light alloy wheel	عجلة من سبيكة خفيفة الوزن
49 four-cylinder machine [400 cc]	ماكينة ذات أربع أسطوانات [400 سي سي]
50 air-cooled four-cylinder four-stroke engine	محرك تبريد هواء رباعي الأسواط ذو أربع أسطوانات
51 four-pipe megaphone exhaust pipe	ماسورة عادم بوقية ذات أربعة أنابيب
52 electric starter button	زر باديء التشغيل كهربائياً
53 sidcar machine	ماكينة بعربة جانبية
54 sidcar body	جسم العربة الجانبية
55 sidcar crash bar	صناد العربة الجانبية (وقاء الاصطدام)
56 sidelight (Am. side-marker lamp)	مصابيح إشارة جانبي

57 sidcar wheel	عجلة العربة الجانبية
58 sidcar windscreen (Am. windshield)	حاجب ريع العربة الجانبية
190 Internal Combustion Engines	محرركات الاحتراق الداخلي
1 eight-cylinder V (vee) fuel-injection spark-ignition engine (Otto-cycle engine)	محرك ذو 8 أسطوانات مرتبة على شكل V يعمل بنظام حقن الوقود وإشعال الشرر (محرك دورة أوتو)
2 cross-section of spark-ignition engine (Otto-cycle internal combustion engine)	مقطع عرضي لمحرك يعمل بإشعال الشرر (محرك)
3 sectional view of five-cylinder in-line diesel engine	منظر مقطعي لمحرك ديزل مستقيم ذو خمس أسطوانات
4 cross-section of diesel engine	مقطع عرضي لمحرك الديزل
5 two-rotor Wankel engine (rotary engine)	محرك "فانكل" (محرك دوّار) ذو عضونين دوّارين
6 single-cylinder two-stroke internal combustion engine	محرك احتراق داخلي ثنائي الأسواط ذو أسطوانة واحدة
7 fan	مروحة
8 fan clutch for viscous drive	قابض المروحة للدفع اللزج
9 ignition distributor (distributor) with vacuum timing control	موزع إشعال بالآلية للتحكم في توقيت الإشعال بالخلخلة
10 double roller chain	سلسلة بدخارج مزدوجة
11 camshaft bearing	محمل عمود الكامات
12 air-bleed duct	منزف الهواء
13 oil pipe for camshaft lubrication	انبوب زيت لتزليق عمود الكامات
14 camshaft, an overhead camshaft	عمود الكامات
15 venturi throat	حلق "فنتوري"
16 intake silencer (absorption silencer, Am. absorption muffler)	شكمان السحب
17 fuel pressure regulator	منظم ضغط الوقود
18 inlet manifold	مجمع السحب
19 cylinder crankcase	كارتر الأسطوانة
20 flywheel	الحذافة
21 connecting rod (piston rod)	ذراع توصيل (قضيب الكيباس)
22 cover of crankshaft bearing	غطاء محمل العمود المرفقي
23 crankshaft	العمود المرفقي
24 oil bleeder screw (oil drain plug)	سداة تصريف الزيت
25 roller chain of oil pump drive	سلسلة بدخارج لوحة إدارة مضخة الزيت
26 vibration damper	مضائل الاهتزازات
27 distributor shaft for the ignition distributor (distributor)	عمود موزع الإشعال
28 oil filler neck	عنق فتحة ملاء الزيت

29 diaphragm spring	باي رفي
30 control linkage	أوضاع الحُكْم
31 fuel supply pipe (Am. fuel line)	أنبوب إمداد الوقود (خط الوقود)
32 fuel injector (injection nozzle)	حاقن الوقود
33 rocker arm	ذراع تَرْجِيحِيَّة
34 rocker arm mounting	محمل الذراع التَرْجِيحِيَّة
35 spark plug (sparking plug) with suppressor	شمعة شرر (بويجيه) ذات مانع للشرر
36 exhaust manifold	مجمع العادم
37 piston with piston rings and oil scraper ring	كباس ذو حلقات وحلقة كسح الزيت
38 engine mounting	ركيبة المحرك
39 dog flange (dog)	شفة كلابية
40 crankcase	علبة المرفاق، كارتر
41 oil sump (sump)	الحوض السفلي للزيت
42 oil pump	مضخة الزيت
43 oil filter	مرشح الزيت
44 starter motor (starting motor)	موتور بادئ التشغيل
45 cylinder head	رأس الأسطوانة
46 exhaust valve	صمام العادم
47 dipstick	قضيب قياس منسوب الزيت
48 cylinder head cover	غطاء (جوان) رأس الأسطوانات
49 double bushing chain	سلسلة ذات جلبة مزدوجة
50 warm-up regulator	منظم التسخين
51 tapered needle for idling adjustment	إبرة مستدقة لضبط البطاطو
52 fuel pressure pipe (fuel pressure line)	أنبوب ضغط الوقود
53 fuel leak line (drip fuel line)	خط تقطيط الوقود
54 injection nozzle (spray nozzle)	قوة الحقن
55 heater plug	شمعة مروحة التدفئة
56 thrust washer	حلقة دفعية
57 intermediate gear shaft for the injection pump drive	عمود التروس المتوسط الخاص بإدارة مضخة الحقن
58 injection timer unit	وحدة توقيت الحقن
59 vacuum pump (low-pressure regulator)	مضخة خلخلة (منظم الضغط المنخفض)
60 cam for vacuum pump	كامة مضخة الخلخلة
61 water pump (coolant pump)	مضخة الماء (مضخة المبرد)
62 cooling water thermostat	ترموستات ماء التبريد
63 thermo time switch	مفتاح توقيت حراري
64 fuel hand pump	مضخة يدوية للوقود
65 injection pump	مضخة الحقن
66 glow plug	شمعة توهج
67 oil pressure limiting valve	صمام تحديد ضغط الزيت
68 rotor	العضو الدوّار (في محرك "فانكل")
69 seal	برشام
70 torque converter	محول العزم

71 single-plate clutch	قابض مقعد القرص
72 multi-speed gearing (multi-step gearing)	صندوق تروس متعدد السرعات
73 port liners in the exhaust, manifold for emission control	بطانات المنفذ في مجمع العادم للتحكم في الانبعاثات
74 disc (disk) brake	فرملة قرصية
75 differential gear (differential)	تروس فرقي (دفرانشية)
76 generator	مولد كهربائي
77 foot gear-change control (foot gearshift control)	أداة التحكم السفلية في نقل التروس
78 dry multi-plate clutch	قابض جاف متعدد الأقراص
79 cross-draught (Am. cross-draft) carburettor (Am. carburetor)	مكربن (كاربوريوتر) سحب مُضاد
80 cooling ribs	ضلع التبريد
81 V-belt (fan belt)	سبيل على شكل حرف V (سبيل المروحة)
191 Motor Car (Am. automobile) I	السيارة (1)
1-56 motor car (car, Am. automobile, auto), a passenger vehicle	السيارة (مركبة آلية)
1 monocoque body (unitary body)	بدن قشري
2 chassis, the under-structure of the body	هيكل السيارة (الشاسيه)
3 front wing (Am. front fender)	صناد أمامي، رفرف أمامي
4 car door	باب السيارة
5 door handle	مقبض الباب
6 door lock	قفل الباب
7 boot lid (trunk lid)	غطاء صندوق السيارة
8 bonnet (Am. hood)	غطاء محرك السيارة
9 radiator	المشع
10 cooling water pipe	أنبوب ماء التبريد
11 radiator grill	شبكة وقاية المشع
12 badging	علامة ماركة السيارة
13 rubber-covered front bumper (Am. front fender)	صناد أمامي مغطى بالنمطاط
14 car wheel, a disc (disk) wheel	دولاب سيارة
15 car tyre (Am. automobile tire)	إطار الدولاب (الجزء المطاطي من الدولاب)
16 rim (wheel rim)	الحافة (حافة الإطار)
17-18 disc (disk) brake	فرملة قرصية
17 brake disc (disk)	قرص الفرملة
(braking disc)	
18 calliper (caliper)	آلية فكية
19 front indicator light (front turn indicator light)	لمبة إشارة أمامية (لمبة إشارة انعطاف أمامية)
20 headlight (headlamp) with main beam (high	المصباح الأمامي ذو قلاب للإضاءة القريبة والبعيدة

beam), dipped beam (low beam), sidelight (side lamp, <i>Am.</i> side-marker lamp)	ولمبة جانبية	53 engine mounting	مثبت المحرك	53 crankshaft bearing (main bearing)	محمل العمود المرفقي
21 windscreen (<i>Am.</i> windshield), a panoramic windscreen	الرُجَاج الأمامي، حاجب الريح	54 intake silencer (<i>Am.</i> intake muffler)	كاتم صوت السحب	24 camshaft bearing	محمل عمود الكامات
22 crank-operated car window	رُجَاج يَمَّ تحريكه بذراع دوراني	55 air filter (air cleaner)	مرشّح الهواء	25 connecting-rod bearing	محمل قضيب التّوصيل
23 quarter light (quarter vent)	هَوَايَة جانبية	56 right-hand wing mirror	مرآة الجانب الأيمن	26 gudgeon pin (piston pin)	بِنْدُ الكَبَاس
24 boot (<i>Am.</i> trunk)	صندوق السّيارة	57-90 dashboard (fascia panel)	عمود قيادة اضباطي	27 bleed	مِزْف
25 spare wheel	دُوَلاب احتياطيّ	57 controlled-collapse steering column	محموم	28-47 four-speed synchromesh gearbox	صندوق تروس مترامن التمشيق رباعي السرعات
26 damper (shock absorber)	مُخَمِّد الاهتزازات	58 steering wheel spoke	ضلع عجلة القيادة	28 clutch pedal	دواسة القابض
27 trailing arm	ذراع تعليق خلفي	59 indicator and dimming switch	مفتاح التّنينّ والعايم	29 crankshaft	عمود مرفقيّ
28 coil spring	نايض ملنّف	60 wiper/washer switch and horn	مفتاح تشغيل المَسَاحَات/ الرشاش والبوق	30 drive shaft (propeller shaft)	عمود الدفع
29 silencer (<i>Am.</i> muffler)	شكمان، كاتم الصوت	61 side window blower	نافع هواء الرُجَاج الجانبي	31 starting gear ring	حلقة ترس بدء الحركة
30 automatic ventilation system	نظام تهوية آلي	62 sidelight, headlight, and parking light switch	مفتاح تشغيل المصابيح الجانبية والأمامية ولمبة الانظار	32 sliding sleeve for 3rd and 4th gear	كَم مِزْرَاق لتعشيق السُرْعَتَيْن الثالثة والرابعة
31 rear seats	المقعد الخلفي	63 fog lamp warning light	ضوء التحذير الخاص بمصباح الضباب	33 synchronizing cone	مُزَوِّط تزامني
32 rear window	الرُجَاج الخلفي	64 fog headlamp and rear lamp switch	مفتاح الضوء الأمامي والخلفي الخاص بالمصباح	34 helical gear wheel for 3rd gear	عجلة ترس لولبي لتعشيق السرعة الثالثة
33 adjustable headrest (head restraint)	ميسد رأس قابل للضبط	65 fuel gauge (<i>Am.</i> gage)	عداد الوقود	35 sliding sleeve for 1st and 2nd gear	كَم مِزْرَاق لتعشيق السُرْعَتَيْن الأولى والثانية
34 driver's seat, a reclining seat	مقعد السائق	66 water temperature gauge (<i>Am.</i> gage)	عداد حرارة الماء	36 helical gear wheel for 1st gear	عجلة ترس لولبي لتعشيق السرعة الأولى
35 reclining backrest	مسند ظهر قابل للنبط	67 warning light for rear fog lamp	ضوء التحذير الخاص بمصباح الضباب الخلفي	37 lay shaft	عمود وسيط
36 passenger seat	مقعد الركاب الأمامي	68 hazard flasher switch	مفتاح العَمَازَات في حالة الخطر	38 speedometer drive	إدارة عداد السرعة
37 steering wheel	عجلة القيادة	69 main beam warning light	ضوء التحذير الخاص بالكشاف الرئيسي	39 helical gear wheel for speedometer drive	عجلة ترس لولبي لإدارة عداد السرعة
38 centre (<i>Am.</i> center) console containing speedometer (<i>coll.</i> speedo), revolution counter (rev counter, tachometer), clock, fuel gauge (<i>Am.</i> gage), water temperature gauge, oil temperature gauge	كونسول مركزي يشتمل على عداد السرعة وعداد سرعة الدوران وساعة ومؤشر الوقود وعداد حرارة الماء وعداد حرارة الزيت.	70 electric rev counter (revolution counter)	عداد سرعة الدوران (عداد القاعات)	40 main shaft	العمود الرئيسي
39 inside rear-view mirror	مرآة الرؤية الخلفية الداخلية	71 fuel warning light	الضوء التحذيري الخاص بالوقود	41 gearshift rods	قضبان نقل التروس
40 left-hand wing mirror	مرآة الجانب الأيسر	72 warning light for the hand brake and dual-circuit brake system	الضوء التحذيري الخاص بنظام فرملة اليد والفرامل مزدوجة الدائرة	42 selector fork for 1st and 2nd gear	شوكة انتقاء تعشيق السُرْعَتَيْن الأولى والثانية
41 windscreen wiper (<i>Am.</i> windshield wiper)	مساحة الرُجَاج الأمامي	73 oil pressure warning light	الضوء التحذيري لضغط الزيت	43 helical gear wheel for 2nd gear	عجلة ترس لولبي لتعشيق السرعة الثانية
42 defroster vents	فتحات تزييل الصّيع (الدافقية)	74 speedometer (<i>coll.</i> speedo) with trip mileage recorder	عداد السرعة وبه عداد الكيلومترات (الأميال)	44 selector head with reverse gear	رأس الانتقاء مع ترس السرعة الخلفية
43 carpeting	فرض أرضية السّيارة	75 starter and steering lock	فعل بدء التشغيل والتوجيه	45 selector fork for 3rd and 4th gear	شوكة انتقاء السُرْعَتَيْن الثالثة والرابعة
44 clutch pedal (<i>coll.</i> clutch)	دواسة القابض	76 warning lights for turn indicators and hazard flashers	الأضواء التحذيرية الخاصة بمصابيح الانعطافات وغمّازات الخطر	46 gear lever (gearshift lever)	ذراع نقل السرعات (ذراع الفيتيس)
45 brake pedal (<i>coll.</i> brake)	دواسة الفرملة	77 switch for the courtesy light and reset button for the trip mileage recorder	زر الإضاءة الداخلية وضبط عداد الكيلومترات (الأميال)	47 gear-change pattern (gearshift pattern, shift pattern)	نمط تغيير السرعات
46 accelerator pedal (<i>coll.</i> accelerator)	دواسة المُعْجَل، دواسة الوقود	78 ammeter	أميتر	48-55 disc (disk) brake [assembly]	فرملة قرصية [مجموعة]
47 inlet vent	فتحة السحب	79 electric clock	ساعة كهربية	48 brake disc (disk) (braking disc)	قرص الفرملة
48 blower fan	مروحة نافخة	80 warning light for heated rear window	ضوء تحذيري خاص بالرُجَاج الخلفي المُسخّن	49 calliper (caliper), a fixed calliper with friction pads	آلية فكّية آلية فكّية ثابتة ذات لقم احتكاك
49 brake fluid reservoir	خزان سائل الفرامل	81 switch for the leg space ventilation	مفتاح تهوية حيز الأرجل	50 servo cylinder (servo unit)	وحدة موازنة (سرفو)
50 battery	بطارية	82 rear window heating	مفتاح تسخين الرُجَاج	51 brake shoes	حذاء الفرملة
51 exhaust pipe	ماسورة العادم			52 brake lining	بطانة الفرملة
52 front running gear with front wheel drive	ترس أمامي دوار مع إدارة العجلات الأمامية			53 outlet to brake line	فتحة تؤدي إلى خط زيت الفرملة
				54 wheel cylinder	أسطوانة الدوالب
				55 return spring	نايض إرجاع
				56-59 steering gear	آلية القيادة (التوجيه)

(worm-and-nut steering gear)	عمود القيادة (التوجيه)
56 steering column	تروس التوجيه اليدوي
57 worm gear sector	ذراع التوجيه الهابطة
58 steering drop arm	تروس زودني
59 worm	مُسْنَخٌ يَتِمُّ التَّحَكُّمُ بِهِ
60-64 water-controlled heater	بالمياه
60 air intake	سحب الهواء
61 heat exchanger (heater box)	مبادل حراري
62 blower fan	مروحة نافخة
63 flap valve	صمام قلاب
64 defroster vent	فتحة دفاية إزالة الصقيع
65-71 live axle (rigid axle)	محور حي
65 propeller shaft	عمود دفع
66 trailing arm	ذراع تعليق خلفي
67 rubber bush	جِلْبَةٌ مَطاطِيَّةٌ
68 coil spring	نايض
69 damper (shock absorber)	مُخَمِّدُ الإهتزازات
70 Panhard rod	قضيب بنهارد
71 stabilizer bar	قضيب الموازنة
72-84 MacPherson strut unit	وحدة دعمامة ماكفرسون
72 body-fixing plate	لوحة تثبيت الجسم
73 upper bearing	محمل علوي
74 suspension spring	نايض التعليق
75 piston rod	ذراع الكباس
76 suspension damper	مُخَمِّدُ التعليق
77 rim (wheel rim)	حافة (حافة الدوالب)
78 stub axle	المحور الأبتري
79 steering arm	رافعة التوجيه
80 track-rod ball-joint	وصلة كروية لعمود الدرب
81 trailing link arm	ذراع تعليق خلفية للربط
82 bump rubber (rubber bonding)	مطاط امتصاص الاهتزازات (رباط مطاط)
83 lower bearing	محمل سفلي
84 lower suspension arm	ذراع تعليق سفلية

193 Motor Car (Am. Automobile) III

1-36 car models (Am. automobile models)

1 four-door touring saloon (Am. four-door sedan) in the upper-middle range	سيارة صالون ذات أربعة أبواب من الفئة فوق المتوسطة
2 driver's door	باب السائق
3 rear door	الباب الخلفي
4-10 four-door saloon (Am. four-door sedan) and four-door hatchback in the middle range	سيارة صالون ذات أربعة أبواب وسيارة ذات أربعة أبواب ميثورة المؤخرة من الفئة المتوسطة
4 saloon (Am. sedan)	سيارة صالون
5 headrests (head restraints)	ميسند رأس
6 front seat	المقعّد الأمامي

7 rear seat (back seat)	المقعّد الخلفي
8 fastback saloon (Am. fastback sedan)	سيارة صالون ذات مؤخرة ميثورة
(stubbyback saloon, Am. stubback sedan)	ميثورة
9 tailgate	باب المؤخرة
10 fastback (stubbyback)	مؤخرة تساعد على زيادة السرعة (مؤخرة ميثورة)
11 cross-country vehicle with all-wheel drive (four-wheel drive)	سيارة أسفار نظام دفع بالأربع عجلات
12 spare wheel	دوالب احتياطي
13 roll bar	قضيب أسطواني للتثبيت
14 cabriolet sports coupé (cabriolet sports car)	سيارة كابرولييه، سيارة مكشوفة
15 integral seat	مقعّد ثابت
16 automatic hood (Am. top) (power-operated hood, Am. top)	سقف يتحرك ألياً
17 estate car (estate, shooting brake, Am. station wagon)	سيارة ستيشن
18 boot space (luggage compartment)	صندوق الأمتعة
19 small three-door car	سيارة صغيرة بثلاثة أبواب
20 back (tailgate)	المؤخرة (باب المؤخرة)
21 sill	عتبة
22 folding back seat	مقعّد خلفي قابل للطي
23 boot (luggage compartment, Am. trunk)	صندوق السيارة
24 (sliding) sunroof (steel sliding sunroof)	سقف منزلق
25 three-door hatchback	سيارة بثلاثة أبواب ميثورة المؤخرة
26 roadster (sports cabrio, sports cabriolet), a two-seater	سيارة خفيفة مكشوفة (سيارة ذات مقعدين)
27 hard top	سقف ثابت صلب
28 sports coupé, a two-plus-two (two-seater with occasional seats)	سيارة كوبيه بياطين
29 fastback	مؤخرة تساعد على زيادة السرعة
30 occasional seat	مقعد مُعد للاستخدام عند الحاجة
31 low-profile tyre (Am. tire) (wide wheel)	إطار مُنخفض الجانبيه (دوالب عريض)
32 gran turismo car (GT car)	سيارة جوتي
33 integral bumper (Am. integral fender)	مصد غير قابل للفصل
34 rear spoiler	مُسد خلفي
35 back	المؤخرة
36 front spoiler	مُسد أمامي

194 Lorries (Am. Trucks), Vans, Buses

1 light cross-country

لorry (light truck, pick-up truck) with all-wheel drive (four-wheel drive)	دوالب احتياطي
2 cab (driver's cab)	كابينه السائق
3 loading platform (body)	صندوق التحميل
4 spare tyre (Am. spare tire), a cross-country tyre	دوالب احتياطي
5 light lorry (light truck, pick-up truck)	شاحنة خفيفة
6 platform truck	شاحنة بصندوق
7 medium van	عربة نقل متوسطة الحجم
8 sliding side door [for loading and unloading]	باب جانبي منزلق [للتحميل والتفريغ]
9 minibus	حافلة صغيرة (ميني باص)
10 folding top (sliding roof)	سقف قابل للطي
11 rear door	باب خلفي
12 hinged side door	باب جانبي مثبت بمفصل
13 luggage compartment	خزانة الأمتعة
14 passenger seat	مقعّد الركاب
15 cab (driver's cab)	كابينه السائق
16 air inlet	فتحة دخول الهواء
17 motor coach (coach, bus)	حافلة مبحرك
18 luggage locker	خزانة الأمتعة
19 hand luggage (suitcase, case)	حقائبه يد (حقائبه ملابس)
20 heavy lorry (heavy truck, heavy motor truck)	شاحنة ثقيلة
21 tractive unit (tractor, towing vehicle)	وحدة الجر/القطر (الجرار)
22 trailer (drawbar trailer)	مقطورة
23 swop platform (body)	صندوق المقطورة
24 three-way tipper (three-way dump truck)	عربة قلابية
25 tipping body (dump body)	صندوق قلاب
26 hydraulic cylinder	أسطوانة هيدروليّة
27 supported container platform	حاوية مروّعة على دعائم
28 articulated vehicle, a vehicle tanker	مركبة مفصّلة
29 tractive unit (tractor, towing vehicle)	وحدة الجرّ (الجرار)
30-33 semi-trailer (skeletal)	نصف مقطورة
30 tank	خزان
31 turntable	سطح دوّار
32 undercarriage	عربة سفلية
33 spare wheel	دوالب احتياطي
34 midi bus [for short-route town operations]	حافلة متوسطة [للمسافات القصيرة داخل المدينة]
35 outward-opening doors	أبواب تفتّح باتجاه الخارج
36 double-deck bus (double-decker bus)	حافلة ذات طابقين

الشاحنات وعربات النقل الخفيفة والحافلات

شاحنة خفيفة نظام دفع

37 lower deck (lower saloon)	الطابق السفلي
38 upper deck (upper saloon)	الطابق العلوي
39 boarding platform	منصة صعود الحافلة
40 trolley bus	الترولي باص
41 current collector	ذراع توصيل التيار
42 trolley (trolley shoe)	حذاء الترولي
43 overhead wires	سلك علوي
44 trolley bus trailer	مقطورة الترولي باص
45 pneumatically sprung rubber connection	وصلة مطاطية بنايض هوائي
195 Garage (Am. Shop)	الكرّاج (الجرّاج)
1-55 agent's garage (distributor's garage, Am. specialty shop)	كرّاج الوكيل (كرّاج موزّع السيارات)
1-23 diagnostic test bay	خزانة الفحص
1 computer	حاسب آلي (كمبيوتر)
2 main computer socket	قابس الحاسب الآلي الرئيسي
3 computer harness (computer cable)	كيل الحاسب الآلي
4 switch from automatic to manual	مفتاح التحويل من التشغيل الآلي إلى اليدوي
5 slot for program cards	فتحة إدخال بطاقات البرامج
6 printout machine (printer)	طابعة
7 condition report (data printout)	تقرير فحص السيارة
8 master selector (hand control)	ذراع التحكم الرئيسية
9 light read-out [green: OK; red: not OK]	شاشة ضوئية [أخضر سليم، أحمر غير سليم]
10 rack for program cards	رف بطاقات البرامج
11 mains button	المفاتيح الرئيسية
12 switch for fast readout	مفتاح القراءة السريع
13 firing sequence insert	وليفة تعاقب الإشغال
14 shelf for used cards	رف البطاقات المُستعملة
15 cable boom	دعمامة الكيبلات
16 oil temperature sensor	جهاز إحصاس حرارة الزيت
17 test equipment for wheel and steering alignment	معدات فحص التراصص (ضبط الإشتقامة)
18 right-hand optic plate	لوحة بصريّة يميني
19 actuating transistors	ترانزستورات التشغيل
20 projector switch	مفتاح البروجكتور
21 check light for wheel alignment, a row of photocells	ضوء فحص التراصص، صف من الخلايا الضوئية
22 check light for steering alignment, a row of photocells	ضوء فحص إشتقامة التوجيه (صف من الخلايا الضوئية)
23 power screwdriver	مفك كهربائي
24 beam setter	منظم ذراع الميزان
25 hydraulic lift	مرّاع هيدرولي

8 rear controller	المرآب الخلفي	contact wire)	سلك علوي متقاطع
9 driving bogie	بوجي الإدارة، مجمع عجلات الإدارة	42 overhead cross wire	آلية التقاط الكهربائية
10 carrying bogie	بوجي حمل	43 electric (also: electro-hydraulic, electro-mechanical) points mechanism	(أيضاً الكهروميدروالية والكهروميكانيكية)
11 wheel guard	وقاء العجلة		
12 bumper (Am. fender)	مصن		
13 six-axle articulated rail-car ("Mannheim" type) for tram (Am. streetcar, trolley) and urban rail services	عربة سلك حديدية مفصلية ذات ستة محاور لخدمة الترام والخدمة في المدينة		
14 entrance and exit door, a double folding door	باب الركوب والنزول		
15 step	القابل للخطى		
16 ticket-cancelling machine	درجّة		
17 single seat	ماكينة إلغاء التذاكر		
18 standing room portion	مقعد مفرد		
19 double seat	الجذء المخصص للوقوف		
20 route (number) and destination sign	مقعد مزدوج		
21 route sign (number sign)	لافتة خط السير واتجاه الرحلة		
22 indicator (indicator light)	لافتة رقم العربة		
23 pantograph (current collector)	ضوء إرشادي		
24 carbon or aluminium (Am. aluminium) alloy trolley shoes	بانوجراف (ذراع توصيل التيار)		
25 driver's position	حذاء تروولي مصنوع من سبيكة الكربون أو الألومنيوم		
26 microphone	موقع السائق		
27 controller	ميكروفون		
28 radio equipment (radio communication set)	مفتاح تحكم		
29 dashboard	جهاز الراديو		
30 dashboard lighting	لوحة التابلوه		
31 speedometer	لمبات لوحة التابلوه		
32 buttons controlling doors, windscreen wipers, internal and external lighting	عداد السرعة		
33 ticket counter with change machine	أزرار التحكم في الأبواب والمساحات والإضاءة الداخلية والخارجية		
34 radio antenna	عداد التذاكر وماكينه صرف		
35 tram stop (Am. streetcar stop, trolley stop)	هوائي الراديو		
36 tram stop sign (Am. streetcar stop sign, trolley stop sign)	محطة الترام		
37 electric change points	لافتة محطة الترام		
38 points signal (switch signal)	نقاط تحويل المسار الكهربيه		
39 points change indicator	إشارة نقاط التحويل (إشارة التحويل)		
40 trolley wire contact point	أنوار الإشاريه لبقاط تحويل المسار		
41 trolley wire (overhead	نقطة تلامس سلك التروولي		
	سلك التروولي		

198 Cross-section of a Street

1-5 road layers

- 1 anti-frost layer
- 2 bituminous sub-base course
- 3 base course
- 4 binder course
- 5 bituminous surface
- 6 kerb (curb)
- 7 kerbstone (curbstone)
- 8 paving (pavement)
- 9 pavement (Am. sidewalk, walkway)
- 10 gutter
- 11 pedestrian crossing (zebra crossing, Am. crosswalk)

مقطع عرضي للشوارع

- طبقات الطريق
- 1 طبقة مقاومة للصقيع
 - 2 طبقة تحتانية من البتومين
 - 3 طبقة قاعدية
 - 4 طبقة من مادة لاصقة
 - 5 سطح بيتوميني
 - 6 حافة الأرصيف
 - 7 حجر الحافة
 - 8 رصف
 - 9 الأرصيف
 - 10 بالوعة تصريف
 - 11 عبور المشاة

- 12 street corner
- 13 street
- 14 electricity cables
- 15 telephone cables
- 16 telephone cable pipeline
- 17 cable manhole with cover (with manhole cover)
- 18 lamp post with lamp
- 19 electricity cables for technical installations
- 20 subscribers' (Am. customers') telephone lines
- 21 gas main
- 22 water main
- 23 drain
- 24 drain cover
- 25 drain pipe
- 26 waste pipe
- 27 combined sewer
- 28 district heating main
- 29 underground tunnel

199 Refuse Disposal (Am. Garbage Disposition), Street Cleaning

- 1 refuse collection vehicle (Am. garbage truck)
- 2 dustbin-tipping device (Am. garbage can dumping device), a

- التخلص من النفايات، تنظيف الشوارع
- عربة جمع النفايات
- جهاز قلب صندوق النفايات

26 adjustable arm of hydraulic lift	ذراع المرافق الهيدرولي القابلة للتعديل	regular petrol (Am. gasoline) (sim. for derv)	بنزين عادي
27 hydraulic lift pad	بطانة المرافق الهيدرولي	2 hose (petrol pump, Am. gasoline pump, hose)	خراطوم المضخة
28 excavation	خفرة، بئر	3 nozzle	بزاز، فوهة
29 pressure gauge (Am. gage)	مقياس الضغط	4 cash readout	بيان القيمة النقدية المطلوبة
30 grease gun	مسنس شحيم	5 volume readout	بيان عداد التيارات المستحوطة
31 storage box for small parts	صندوق حفظ الأجزاء الصغيرة	6 price display	بيان السعر
32 wall chart [of spare parts]	لوحة حائطية [توضّح قطع الغيار]	7 indicator light	ضوء إشاري
33 automatic computer test	فحص آلي بالكمبيوتر	8 driver using self-service petrol pump (Am. gasoline pump)	سائق يستخدم مضخة بنزين محطة الخدمة الذاتية
34 motor car (car, Am. automobile, auto), a passenger vehicle	سيارة	9 fire extinguisher	مطفأة الحريق
35 engine compartment	حجرة المحرك	10 paper-towel dispenser	جهاز المناشف الورقية
36 bonnet (Am. hood)	غطاء المحرك	11 paper towel	منشفة ورقية
37 bonnet support (Am. hood support)	مسند غطاء المحرك	12 litter receptacle	صندوق المهملات
38 computer harness (computer cable)	كبل الكمبيوتر	13 two-stroke blending pump	مضخة بنزين ثنائية الأشواط
39 main computer socket	مقبس الكمبيوتر الرئيسي	14 meter	عداد
40 oil temperature sensor	جهاز إحساس حرارة الزيت	15 engine oil	زيت المحركات
41 wheel mirror for visual wheel and steering alignment	مرآة العجلات لفحص استقامة الدواب والتوجيه بصرياً	16 oil can	علبة زيت
42 tool trolley	تروولي الأدوات	17 tyre pressure gauge (Am. tire pressure gage)	مقياس ضغط الإطارات
43 tools	أدوات	18 air hose	خراطوم الهواء
44 impact wrench	مفتاح ربط صدمي	19 static air tank	خزان هواء استاتي
45 torque wrench	مفتاح ربط يقيس عزم اللي	20 pressure gauge (Am. gage) (manometer)	مقياس ضغط (مانومتر)
46 body hammer (roughing-out hammer)	مطرقة سكرّة	21 air filler neck	عنق جهاز تعبئة الهواء
47 vehicle under repair, a minibus	عربة تحت الإصلاح، ميني باص	22 repair bay (repair shop)	ورشة الإصلاح
48 car location number	رقم موقع السيارة	23 car-wash hose, a hose (hosepipe)	خراطوم غسل السيارات
49 rear engine	محرك خلفي	24 accessory shop	محل بيع الكماليات
50 tailgate	باب المؤخرة	25 petrol can (Am. gasoline can)	صفيحة بنزين
51 exhaust system	نظام العادم	26 rain cape	غطاء واق من المطر
52 exhaust repair	إصلاح نظام العادم	27 car tyres (Am. auto-mobile tires)	إطارات السيارات
53 motor car mechanic (motor vehicle mechanic, Am. automotive mechanic)	ميكانيكي سيارات	28 car accessories	كماليات السيارات
54 air hose	خراطوم الهواء	29 cash desk (console)	خزينة دفع النقدية
55 intercom	جهاز اتصال داخلي (انتركوم)		
		197 Tram (Am. Streetcar, Trolley), Interurban Electric Train	الترام، قطار كهربائي للخدمة بين الضواحي
196 Service Station	محطة خدمة السيارات	1 twelve-axle articulated railcar for interurban rail service	عربة سلك حديدية مفصلية ذات 12 محوراً للخدمة بين الضواحي
1-29 service station (petrol station, filling station, Am. gasoline station, gas station), a self-service station	محطة خدمة السيارات (محطة البنزين)، محطة الخدمة الذاتية	2 current collector	قضيب توصيل التيار الكهربائي
1 petrol (Am. gasoline) pump (blending pump) for unleaded (lead-free) premium grade and	مضخة البنزين الممتاز الخالي من الرصاص والبنزين العادي	3 head of the railcar	مقدمة العربة
		4 rear of the railcar	مؤخرة العربة
		5 carriage A containing the motor	العربة (أ) وتحمل المحرك
		6 carriage B (also carriages C and D)	العربة (ب)، أيضاً العربات (ج) و(د)
		7 carriage E containing the motor	العربة (هـ) وتحمل المحرك

dust-free emptying system
 3 dustbin (*Am. garbage can, trash can*)
 4 refuse container (*Am. garbage container*)
 5 road sweeper (*Am. street sweeper*)
 6 broom
 7 fluorescent armband
 8 cap with fluorescent band
 9 road sweeper's (*Am. street sweeper's*) barrow
 10 controlled tip (*Am. sanitary landfill, sanitary fill*)
 11 screen
 12 weigh office
 13 fence
 14 embankment
 15 access ramp
 16 bulldozer
 17 refuse (*Am. garbage*)
 18 bulldozer for dumping and compacting
 19 pump shaft
 20 waste water pump
 21 porous cover
 22 compacted and decomposed refuse
 23 gravel filter layer
 24 morainic filter layer
 25 drainage layer
 26 drain pipe
 27 water tank
 28 refuse (*Am. garbage*) incineration unit
 29 furnace
 30 oil-firing system
 31 separation plant
 32 extraction fan
 33 low-pressure fan for the grate
 34 continuous feed grate
 35 fan for the oil-firing system
 36 conveyor for separately incinerated material
 37 coal feed conveyor
 38 truck for carrying fuller's earth
 39 mechanical sweeper
 40 circular broom
 41 road-sweeping lorry (*street-cleaning lorry, street cleaner*)

42 cylinder broom
 43 suction port
 44 feeder broom
 45 air flow
 46 fan
 47 dust collector

200 Road Construction I (Road Building, Road Making)

1-54 road-building machinery

1 shovel (power shovel, excavator)
 2 machine housing
 3 caterpillar mounting (*Am. caterpillar tractor*)
 4 digging bucket arm (dipper stick)
 5 digging bucket (bucket)
 6 digging bucket (bucket) teeth
 7 tipper (dump truck), a heavy lorry (*Am. truck*)
 8 tipping body (*Am. dump body*)
 9 reinforcing rib
 10 extended front
 11 cab (driver's cab)
 12 bulk material
 13 concrete scraper, an aggregate scraper
 14 skip hoist
 15 mixing drum (mixer drum), a mixing machine
 16 caterpillar hauling scraper
 17 scraper blade
 18 levelling (*Am. leveling*) blade (smoothing blade)
 19 grader (motor grader)
 20 scarifier (ripper, road ripper, rooter)
 21 grader levelling (*Am. leveling*) blade (grader ploughshare, *Am. plowshare*)
 22 blade-slewing gear (slew turntable)
 23 light railway (narrow-gauge, *Am. narrow-gauge, railway*)
 24 light railway (narrow-gauge, *Am. narrow-gauge*) diesel

مِقْمَشَة أسطوانية
 فِتْحَة الشفط
 مِقْمَشَة تغذية فتحة الشفط
 تدْفَقُ الهواء
 مَرَوْحَة
 حاوية تجميع التُّراب

بِنَاء الطَّرِيق (1)

ماكينات بناء/تَعْبِيد الطَّرِيق

مُخَارِ حَفْر
 مَبْنِيَة الماكينة
 جِرَارَة مَرْنَجْرَة
 ذِرَاع حَفْر دَلْوِيَّة
 قَادُوس الحَفْر
 أَسْنَان قَادُوس الحَفْر
 شاحنة قَلَابَة
 صندوق القَلَاب
 ضَلْبَع تَقْوِيَة
 مَقْدَمَة مَعْتَدَة
 كَابِيْنَة السائق
 مَوَاد سائِة
 خَلَاط الخرسانة
 مِرْمَاع قادوسي
 بَرْمِيل الخِلاط
 مِكشَطَة جِرَارَة مَرْنَجْرَة
 سِلَاح المِكشَطَة
 سِلَاح التَّسْوِيَة
 مَهْمَدَة الطَّرِيق (جريد)
 مِيخْدَشَة (لِيْبِنْس) سِلح الطَّرِيق
 قَبْل إِعَادَة التَّعْبِيد
 أَسْطَوَانَة التَّسْوِيَة بِالمِيخْدَشَة
 تَرَس الإلتِفَاف الخاص
 سِلَاح المِيخْدَشَة
 عَرَبِيَة سَكَّة حديدية خفيفة
 (سَكَّة حديدية صِيغَة)
 قاطرة ديزل حديدية خفيفة

locomotive
 25 trailer wagon (wagon truck, skip)
 26 tamper (rammer); heavier: frog
 27 guide rods
 28 bulldozer
 29 bulldozer blade
 30 pushing frame
 31 road-metal spreading machine (macadam spreader, stone spreader)

عَرَبِيَة الجِرَار
 مِدَقَة
 قضبان دليلية
 بُلْدوزر
 سَكِيْنَة البُلْدوزر
 إِطَار دَفْع
 ماكينة تَعْبِيد الرِّصْف الطَّرِيق

layer
 61 sub-drainage
 62 perforated cement pipe
 63 drainage ditch
 64 soil covering

صُرْف صَحِي حَتْمِي
 ماسورة أَسْمَنْتِي مَتَبَعَة
 حَفْرَة الصُّرْف الصَّحِي
 غِيْطَاء التُّرْبَة

201 Road Construction II (Road Building, Road Making)

1-24 concrete road construction (highway construction)

1 subgrade grader
 2 tamping beam (consolidating beam)
 3 levelling (*Am. leveling*) beam
 4 roller guides for the levelling (*Am. leveling*) beam
 5 concrete spreader
 6 concrete spreader box
 7 cable guides
 8 control levers
 9 handwheel for emptying the boxes
 10 concrete-vibrating compactor
 11 gearing (gears)
 12 control levers (operating levers)
 13 axle drive shaft to vibrators (tamper) of vibrating beam
 14 screeding board (screeding beam)
 15 road form
 16 joint cutter
 17 joint-cutting blade
 18 crank for propelling machine
 19 concrete-mixing plant, a stationary central mixing plant, an automatic batching and mixing plant
 20 collecting bin
 21 bucket elevator
 22 cement store
 23 concrete mixer
 24 concrete pump hopper

بِنَاء الطَّرِيق (2)

إِثْشَاء/بِنَاء الطَّرِيق الخرسانية (بناء الطَّرِيق السَّرِيْعَة)

مُدْرَجَة/مَهْمَدَة الأَرْضِيَّة الطَّبِيعِيَّة
 قَضِيْب البَكَ/الدَّمَك
 قَضِيْب التَّسْوِيَة
 دَلَالِيْل أَسْطَوَانِيَّة لِلقَضِيْب التَّسْوِيَة
 فَارِشَة الخرسانة
 صَنْدُوق فَارِشَة الخرسانة
 دَلَالِيْل كَبِيلِيَّة
 أَذْرُع التَّكْمِيع
 عَجَلَة يدويَّة لِتَفْرِيع الصَّنَادِيْق
 آلَة دَمَك مَرَارَة للخرسانة المَصْبُوبَة
 مَجْمُوعَة المَسْنَنَات أَذْرُع التَّكْمِيع (أَذْرُع التَّشْفِيْل)
 عَمُود إِدَارَة مَحْوَرِي مَوْصَل لِهُزَازَات قَضِيْب هَرَّ الخرسانة
 لَوْح دَلِيلِي لِلتَّخَاة، لَوْح تَّسْوِيَة
 قَالِب رِصْف الطَّرِيق
 قاطع الخرسانة
 سِلَاح قَطْع الخرسانة
 ذِرَاع تَدْوِير ماكينة الدَفْع
 وَحْدَة خَلْط الخرسانة، وَحْدَة مَرَكزِيَّة ثَابِتَة لِخَلْط الخرسانة، وَحْدَة آلِيَّة لِلتَّحْدِيد الدَّفْعَات والخَلْط
 حَوْص تَجْمِيع
 مِصْفَد القادوس
 خَزَان الأَسْمَنْت
 خَلَاط الخرسانة
 قَادُوس مِصْفَة الخرسانة

32 tamping beam
 33 sole-plate
 34 side stop
 35 side of storage bin
 36 three-wheeled roller, a road roller
 37 roller
 38 all-weather roof
 39 mobile diesel-powered air compressor
 40 oxygen cylinder
 41 self-propelled gritter

قَضِيْب دَك
 لَوْحَة سَلْطِيَّة
 مِصْد جَانِبِي
 جَانِب صَنْدُوق التَّخْزِين
 هَرَّاس ذُو ثَلَاث عَجَلَات
 هَرَّاس
 سَقْف لِكَافَة الأَجْوَاء
 ضَاغِط هَوَاء مَتَّكَل يَعْمَل بِالدَّيْزَل
 اسْطَوَانَة الأَكْسِجِين
 ماكينة فَرَش حَصِي ذَاتِيَّة الحَرَكَة

42 spreading flap
 43 surface finisher
 44 side stop
 45 bin
 46 tar-spraying machine (bituminous distributor) with tar and bitumen heater
 47 tar storage tank
 48 fully automatic asphalt drying and mixing plant

قَلَابَة فَرَش الحَصِي
 ماكينة إِجْزَار السَّطْح
 مِصْد جَانِبِي صَنْدُوق
 ماكينة فَرَش القَطْرَان مَع سَخَان القَطْرَان وَالبَتُومِين

49 bucket elevator (elevating conveyor)
 50 asphalt-mixing drum (asphalt mixer drum)
 51 filler hoist
 52 filler opening
 53 binder injector
 54 mixed asphalt outlet

خَزَان القَطْرَان
 وَحْدَة خَلْط وَتَجْفِيْف الأَسْفَلْت أَلِيًّا
 مِرْمَاع قادوسي
 بَرْمِيل خَلْط الأَسْفَلْت

55 typical cross-section of a bituminous road
 56 grass verge
 57 crossfall
 58 asphalt surface (bituminous layer, bituminous coating)

مِرْمَاع المَادَة اللاصِقة
 فَتْحَة المَادَة اللاصِقة
 حَاقِنَة المَادَة اللاصِقة
 فَتْحَة خُرُوج الأَسْفَلْت المَخْلُوط

59 base (base course)
 60 hardcore sub-base course (Telford base) or gravel sub-base course, an anti-frost

مَقْطَع عَرْضِي نَمْطِي لِطَّرِيق
 بَتُومِينِي
 حَافَة الطَّرِيق
 مَنحَدَر مَسْتَعْرَض
 السَّطْح الأَسْفَلْتِي (طَبَقَة بَتُومِينِيَّة)

202 Railway Line (Am. Railroad Track) I

1-38 line (track)
 1 rail

خَط السَكَّة الحَدِيدِيَّة (1)
 خَط السَكَّة الحَدِيدِيَّة
 قَضِيْب السَكَّة الحَدِيدِيَّة

2 rail head	رأس القضيب	37 concrete sleeper (<i>Am.</i> concrete tie, concrete crosstie)	فلنكة من الخرسانة	9 colour light (<i>Am.</i> color light) distant signal at 'be prepared to stop at next signal'	إشارة مسافة ضوئية ملونة عند "استعد للتوقف عند الإشارة القادمة"	from distant signal	250 متراً من إشارة المسافة
3 web (rail web)	وكرة القضيب	38 coupled sleeper (<i>Am.</i> coupled tie, coupled crosstie)	فلنكة مزدوجة	10 signal position: 'be prepared to proceed at low speed'	وَضَع إشارة "استعد للتقدم بسرعة منخفضة"	29 approach sign at a distance of 5% less than the braking distance on the section	علامة الاقتراب بمسافة 5% أقل من مسافة الفرملة على قطاع القضيب
4 rail foot (rail bottom)	قاعدة القضيب	39-50 level crossings (<i>Am.</i> grade crossings)	التقاطعات المستوية، المرزقات	11 signal position: 'proceed main signal ahead'	وَضَع إشارة "تقدم للإشارة الرئيسية في الأمام"	30 chequered sign indicating stop signals (main signals) not positioned immediately to the right of or over the line (track)	علامة مربعات تشير إلى أن إشارات التوقف غير موضوعة على يمين أو فوق الخط مباشرة
5 sole-plate (base plate)	لوحة القاعدة	39 protected level crossing (<i>Am.</i> protected grade crossing)	مرزقان محصني	12 semaphore signal with indicator plate showing a reduction in braking distance of more than 5%	إشارة سيمافور ذات لوحة توضيحية تشير إلى مسافة فرملة مقللة تزيد عن 5%	31, 32 stop boards to indicate the stopping point of the front of the train	لوحات توفّف تشير إلى نقطة إيقاف مقدمة القطار
6 cushion	وسادة (لتلطيف الصدمة)	40 barrier (gate)	حاجز (بوابة)	13 triangle (triangle sign)	مثلث، لافتة مثلثة	33 stop board indicating 'be prepared to stop'	لوحة توفّف "استعد للتوقف"
7 coach screw (coach bolt)	برغي ذو رأس مربع	41 warning cross (<i>Am.</i> crossbuck)	إشارة التحذير	14 colour light (<i>Am.</i> color light) distant signal with indicator light for showing reduced braking distance	إشارة مسافة ضوئية ملونة ذات ضوء إرشادي يوضّح مسافة فرملة مقللة	34-35 snow plough (<i>Am.</i> snowplow) signs	علامتا جرافات الثلوج
8 lock washers (spring washers)	حواصيل رنق	42 crossing keeper (<i>Am.</i> gateman)	عامل مراقبة المرزقان	15 supplementary white light	ضوء أبيض إضافي	34 'raise snow plough (<i>Am.</i> snowplow) signs	علامة "ارفع جرافة الثلوج"
9 rail clip (clip)	مشبك القضيب	43 crossing keeper's box (<i>Am.</i> gateman's box)	كثك عامل مراقبة المرزقان	16 distant signal indicating 'be prepared to stop at next signal' (yellow light)	إشارة مسافة تشير إلى "استعد للتوقف عند الإشارة القادمة" (ضوء أصفر)	35 'lower snow plough (<i>Am.</i> snowplow) sign	علامة "اخفض جرافة الثلوج"
10 T-head bolt	مسمار ربط له رأس ثنائي الشكل	44 linesman (<i>Am.</i> track-walker)	عامل السكة الحديدية	17 second distant signal (distant signal with supplementary light, without indicator plate)	إشارة مسافة ثانية مزودة بضوء إضافي ولا يوجد بها لوحة إرشادية	36-44 speed restriction signs	علامات الحد من السرعة
11 rail joint (joint)	وصلة قضيب السكة الحديدية	45 half-barrier crossing	مرزقان للعبور في اتجاهين (مرزقان ينصف حاجز) ضوء تحذيري	18 distant signal with speed indicator	إشارة مسافة بها لوحة توضيح السرعة	36 speed restriction sign [maximum speed 3 x 10 = 30 kph]	علامة الحد من السرعة [أقصى سرعة = 10 × 3 = 30 كم/س]
12 fishplate	لوح وصل تراكي للقضبان	46 warning light	مزلقان للعبور في اتجاهين (مزلقان ينصف حاجز) ضوء تحذيري	19 distant speed indicator	مبين سرعة المسافة	37 sign for day running	علامة التشغيل نهاراً
13 fishbolt	مسمار الوصلات التراكية	47 intercom-controlled crossing; <i>sim.</i> : telephone-controlled crossing	مزلقان يتم التحكم فيه هاتفياً	20 distant signal with route indicator	إشارة مسافة بها لوحة مبين الطريق	37 speed code number	رقم كود السرعة
14 coupled sleeper (<i>Am.</i> coupled tie, coupled crosstie)	فلنكان/رافقتان مقرنّتان	48 intercom system	نظام التحكم هاتفياً	21 route indicator	لوحة مبين المسار	38 illuminated sign for night running	علامة ضوئية للتشغيل ليلاً
15 coupling bolt	مسمار ربط	49 unprotected level crossing (<i>Am.</i> unprotected grade crossing)	مزلقان مفتوح	22 distant signal without supplementary arm in position: 'be prepared to stop at next signal'	إشارة مسافة بدون ذراع إضافي في وضع "استعد للتوقف عند الإشارة القادمة"	39 commencement of temporary speed restriction	بداية الحد من السرعة مؤقتاً
16 manually-operated points (manually-operated switch)	مسمار تحويل تشغل يدوياً	50 warning light	ضوء تحذيري	23 distant signal without supplementary arm in 'be prepared to proceed' position	إشارة مسافة بدون ذراع إضافي في وضع "استعد للتقدم"	40 termination of temporary speed restriction	انتهاء الحد من السرعة المؤقتة
17 switch stand	قاعدة المحوّل، مؤقف التحويل	203 Railway Line (<i>Am.</i> Railroad Track) II (Signalling Equipment)	خط السكة الحديدية (2) (معدات الإشارة)	24 distant signal identification plate	لوحة تعريف إشارة المسافة	41 speed restriction sign for a section with a permanent speed restriction [maximum speed 5 x 10 = 50 kph]	علامة الحد من السرعة لمقطع له سرعة محدودة بصفة دائمة [أقصى سرعة = 10 × 5 = 50 كم/س]
18 weight	ثقل	1-6 stop signals (main signals)	إشارات التوقف (الإشارات الرئيسية)	25-44 supplementary signals	إضافي في وضع "استعد للتوقف عند الإشارة القادمة"	42 commencement of permanent speed restriction	بداية الحد من السرعة بصفة دائمة
19 points signal (switch signal, points signal lamp, switch signal lamp)	إشارة المحوّل	1 stop signal (main signal), a semaphore signal in 'stop' position	إشارة التوقف (إشارة رئيسية)، إشارة السيمافور في موقع "توقف"	26 approach sign 100 m from distant signal	إشارة مسافة بدون ذراع إضافي في وضع "استعد للتقدم"	43 speed restriction warning sign [only on main lines]	علامة التنبيه إلى الحد من السرعة (على الخطوط الرئيسية فقط)
20 pull rod	قضيب جذب (قضيب مفتاح التحوّل)	2 signal arm (semaphore arm)	ذراع الإشارة (ذراع السيمافور)	27 approach sign 175 m from distant signal	إشارة توفّف كهربائية عند نقطة "توقف" (مضبّاح ملون)	44 speed restriction sign [only on main lines]	علامة الحد من السرعة (على الخطوط الرئيسية فقط) [إشارات التحويلات
21 switch blade (switch tongue)	سكين فصل، لسان	3 electric stop signal (colour light, <i>Am.</i> color light, signal) at 'stop'	إشارة توقف كهربائية عند نقطة "توقف" (مضبّاح ملون)	28 approach sign 250 m from distant signal	ضوء إشارة "تقدم بسرعة منخفضة"	45-52 point signals (switch signals)	تحويلات فردية
22 slide chair	كرسي منزلق	4 signal position: 'proceed at low speed'	ضوء تحذيري	29 approach sign 100 m from distant signal	ضوء إشارة "تقدم بسرعة منخفضة"	45 route straight ahead (main line)	الطريق مستقيم أمامك (خط رئيسي)
23 check rail (guard rail)	قضيب واق	5 signal position: 'proceed'	مزلقان	26 approach sign 100 m from distant signal	ضوء إشارة "تقدم بسرعة منخفضة"	46 [right] branch	تفرّع [يمين]
24 frog	مقص، مفرق أو تقاطع السكة الحديدية	6 substitute signal	إشارة بديلة	27 approach sign 175 m from distant signal	ضوء إشارة "تقدم"	47 [left] branch	تفرّع [يسار]
25 wing rail	قضيب التخرّج (القضبان الجانبية الخارجيّة لمفرق أو تقاطع)	7-24 distant signals	إشارات المسافات	28 approach sign 250 m from distant signal	إشارة سيمافور عند "استعد للتوقف عند الإشارة القادمة"		
26 closure rail	قضيب إغلاق	7 semaphore signal at 'be prepared to stop at next signal'	إشارة سيمافور عند "استعد للتوقف عند الإشارة القادمة"				
27 remote-controlled points (remote-controlled switch)	خطوط تحويل يتم تشغيلها ألياً عن بعد	8 supplementary semaphore arm	ذراع سيمافور إضافي				
28 point lock (switch lock)	قفل التحويل						
29 stretcher bar	قضيب شدّاد (لمفتاح السكة الحديدية)						
30 point wire	سلك المحوّل						
31 turnbuckle	شدّادة						
32 channel	قناة						
33 electrically illuminated points signal (switch signal)	إشارة محوّل تضاء بالكهرباء						
34 trough	مجرى						
35 points motor with protective casing	موتور خطوط التحويل داخل صندوق للحماية						
36 steel sleeper (<i>Am.</i> steel tie, steel crosstie)	فلنكة من الصلب						

جدول جيب بمواعيد القطارات
ساعة الرصيف
إشارة بدء تحريك القطار
مصابيح إنارة الرصيف
كثك بيع المرطبات
زجاجة جعة، زجاجة بييرة
صحيفة، صحيفة
قبة توديع
عناق
مقعد الرصيف
صندوق المهملات
صندوق بريد الرصيف
تليفون الرصيف
سلك التروولي، سلك التلامس العلوي
مسار السكة الحديدية
قضيب
قلنكة، راقدة
فرشة حصى
محطة البضائع (مستودع الشحن)
طريق منحدر لل عربات
عربة كهربائية
مقطورة
شحنة مقلعة، في النقل العام بضائع عامة في شحنات عامة
قفص/صندوق شحن
عربة الشحن (عربة البضائع)
عربة الشحن
منطقة التحميل
رصيف التحميل
بالة من قماش الخث
بالة من الكتان
رباط، حبل
قنبلة مملدة
تروولي
عربة نقل البضائع
مرفأع شوكي
خط التحميل
بضائع ضخمة
حايوية صغيرة مملوكة
للسكة الحديدية

45 pocket timetable (Am. pocket train schedule)
46 platform clock
47 starting signal
48 platform lighting
49 refreshment kiosk
50 beer bottle
51 newspaper
52 parting kiss
53 embrace
54 platform seat
55 litter bin (Am. trash bin)
56 platform post box (Am. platform mailbox)
57 platform telephone
58 trolley wire (overhead contact wire)
59-61 track
59 rail
60 sleeper (Am. tie, crosstie)
61 ballast (bed)
206 Goods Station (Freight Depot)
1 ramp (vehicle ramp); sim.: livestock ramp
2 electric truck
3 trailer
4 part loads (Am. package freight, less-than-carload freight); in general traffic: general goods in general consignments (in mixed consignments)
5 crate
6 goods van (Am. freight car)
7 goods shed (Am. freight house)
8 loading strip
9 loading dock
10 bale of peat
11 bale of linen (of linen cloth)
12 fastening (cord)
13 wicker bottle (wickered bottle, demijohn)
14 trolley
15 goods lorry (Am. freight truck)
16 forklift truck (fork truck, forklift)
17 loading siding
18 bulky goods
19 small railway-owned (Am. railroad-owned)

جسر يؤدي إلى الرصيف
رقم الرصيف
سقف الرصيف
ركاب
أمتعة
حقيبة ملابس
بطاقة تلمصق على الأمتعة
بطاقة لاصقة تشير إلى الفندق
حقيبة سفر
علبة القبية
مظلة، شمسية
مكاتب
الرصيف
مغير ركوب القطار
تروولي بيع الجرائد
بائع الجرائد
منظومات القراءة أثناء السفر
حافة الرصيف
رجل شرطة السكة الحديدية
لوحة بيان وجهة القطار
بيان وجهة القطار
بيان وقت المغادرة
بيان التأخير عن الموعد
المتأخر
قطار مخصص للنقل بين الضواحي
حقيبة خاصة
مكبر صوت بالرصيف
علامة المحطة
تروولي كهربائي
ملاحظ الشيلين
شيلال
عربة يدوية
حقيبة مياه للشرب
قطار كهربائي سريع للنقل بين مدن أوروبا
قاطرة كهربائية، قاطرة سريعة (قاطرة اكسبريس)
آلية توصيل التبار
الكهربائي
حقيبة السكرتارية
لوحة بيان وجهة القطار
عامل نقر الحجة
مطرقة نقر العجلة
ملاحظ المحطة
لافتة، إشارة
كاب أحمر
مفتش القطار

3 bridge
4 platform number
5 platform roofing
6 passengers
7-12 luggage
7 suitcase (case)
8 luggage label
9 hotel sticker
10 travelling (Am. traveling) bag
11 hat box
12 umbrella, a walking-stick umbrella
13 offices
14 platform
15 crossing
16 news trolley
17 news vendor (Am. news dealer)
18 reading matter for the journey
19 edge of the platform
20 railway policeman (Am. railroad policeman)
21 destination board
22 destination indicator
23 departure time indicator
24 delay indicator
25 suburban train, a railcar
26 special compartment
27 platform loudspeaker
28 station sign
29 electric trolley (electric truck)
30 loading foreman
31 porter (Am. redcap)
32 barrow
33 drinking fountain
34 electric Eurocity express; also: IC express (Intercity express)
35 electric locomotive, an express locomotive
36 collector bow (sliding bow)
37 secretarial compartment
38 destination board
39 wheel tapper
40 wheel-tapping hammer
41 station foreman
42 signal
43 red cap
44 inspector

خريطة المدينة
جدول
ماكينة التذاكر
لوحة إعلان مواعيد الوصول والمغادرة
جدول مواعيد الوصول
جدول مواعيد المغادرة
دواليب حفظ الأمانات
ماكينة صرافة، ماكينة استبدال العملة
نفق يؤدي إلى أرصفة القطارات
ركاب
درج يؤدي إلى أرصفة القطارات
كثك بيع الكتب والمجلات بالمحطة
مكتب إيداع الأمتعة بالأمانات
مركز خدمات السفر والسياحة
مكتب الاستعلامات
ساعة المحطة
فراغ أحد البنوك وبه شباك صرافة
لوحة إرشادية تعرض أسعار الصرف
خريطة السكك الحديدية
مكتب بيع وحجز التذاكر
شباك التذاكر
تذكرة القطار
صينية دوارة
نافذة
موظف شبك التذاكر
لوحة من الزجاج (شباك)
جدول مواعيد القطارات للجيبي
مسند الأمتعة
مركز الإسعافات الأولية
مكتب مساعدة المسافرين
موظف استعلامات السكة الحديد
جدول مواعيد القطارات
رصيف المحطة
رصيف القطارات
درج يؤدي إلى الرصيف

15 map of the town (street map)
16 timetable (Am. schedule)
17 ticket machine
18 arrivals and departures board (timetable)
19 arrival timetable (Am. arrival schedule)
20 departure timetable (Am. departure schedule)
21 left luggage lockers
22 change machine
23 tunnel to the platforms
24 passengers
25 steps to the platforms
26 station bookstall (Am. station bookstand)
27 left luggage office (left luggage)
28 travel centre (Am. center); also: accommodation bureau
29 information office (Am. information bureau)
30 station clock
31 bank branch with foreign exchange counter
32 indicator board showing exchange rates
33 railway map (Am. railroad map)
34 ticket office
35 ticket counter
36 ticket
37 revolving tray
38 grill
39 ticket clerk (Am. ticket agent)
40 pane of glass (window)
41 pocket timetable (Am. pocket train schedule)
42 luggage rest
43 first aid station
44 Travellers' Aid
45 railway (Am. railroad) information clerk
46 official timetable (official railway guide, Am. train schedule)
205 Station Platform
1 platform
2 steps to the platform

تفرع [كما تراه من المقص]
خط تحويلية مزدوج
الطريق مستقيم أمامك من اليسار إلى اليمين
الطريق مستقيم أمامك من اليمين إلى اليسار
تحويلية جهة اليسار عند اليسار
تحويلية جهة اليمين من اليمين
كثك تشغيل الإشارات يدوياً
آلية أذرع التشغيل
ذراع التحويليات [أزرق]
ذراع الإشارات [أحمر]
ذراع تثبيت
ذراع المسار
آلات البلوكات
لوحة مقطع البلوك
كثك تشغيل الإشارات كهربياً
مقايض تشغيل التحويليات والإشارات
لوحة إرشادية للأفقال
شاشة إرشادية للإشارات والمسارات
تصميم التحكم في مخطط المسارات
لوحة التحكم في مخطط المسارات
أزرار انضغاطية
المسارات
نظام الاتصال الداخلي (انتركوم)
صالة المحطة
مكتب الطرود
طرود
سنة [ذات قفل]
كاونتر وزن الأمتعة
ميزان بمنصة للأمتعة ذو مقياس مدرج
حقيبة ملابس
بطاقة لاصقة توضع على الأمتعة
إيصال استلام الأمتعة
موظف استلام الأمتعة ووزنها
إعلان حائطي (بوستر)
صندوق بريد المحطة
دليل المحطة
مطعم المحطة
غرفة الانتظار

48 branch [seen from the frog]
49-52 double crossover
49 route straight ahead from left to right
50 route straight ahead from right to left
51 turnout to the left from the left
52 turnout to the right from the right
53 manually-operated signal box (Am. signal tower, switch tower)
54 lever mechanism
55 points lever (switch lever) [blue], a lock lever
56 signal lever [red]
57 catch
58 route lever
59 block instruments
60 block section panel
61 electrically-operated signal box (Am. signal tower, switch tower)
62 points (switch) and signal knobs
63 lock indicator panel
64 track and signal indicator
65 track diagram control layout
66 track diagram control panel (domino panel)
67 push buttons
68 routes
69 intercom system
204 Station Concourse
1 parcels office
2 parcels
3 basket [with lock]
4 luggage counter
5 platform scale with dial
6 suitcase (case)
7 luggage sticker
8 luggage receipt
9 luggage clerk
10 poster (advertisement)
11 station post box (Am. station mailbox)
12 station guide
13 station restaurant
14 waiting room
828

20 showman's caravan (sim.: Circus caravan)	كرفان تابع للسيّرك	53 warehouse	مُسْتَوْدَع
21 flat wagon (Am. flat freight car)	عربة شحْن مُسَطَّحة	54 container station	مركز الحاويّات
22 loading gauge (Am. gage)	مقياس التحميل	55 gantry crane	مرْفَع قطريّ متحرّك
23 bale of straw	بالة قشّ	56 lifting gear (hoisting gear)	معدّة الرفع
24 flat wagon (Am. flat-car) with side stakes	عربة مسطّحة مزودة بأوتاد جانبية	57 container	حاوية
25 fleet of lorries (Am. trucks)	أسطول من عربات النقل	58 container wagon (Am. container car)	عربة نقل الحاويّات
26-39 goods shed (Am. freight house)	عنبر البضائع	59 semi-trailer	نصف مقطورة
26 goods office (forwarding office, Am. freight office)	مكتب شحن البضائع	207 Railway Vehicles (Rolling Stock) I	عربات السكك الحديدية (1)
27 part-load goods (Am. package freight)	شحنات معلّقة	1-21 express train coach (express train carriage, express train car, corridor compartment coach, a passenger coach)	عربة ركاب القطار السريع
28 forwarding agent (Am. freight agent, shipper)	وكيل الشحْن	1 side elevation (side view)	منسقط جانبيّ
29 loading foreman	ملاحظ الشحْن	2 coach bod	جسم العربة
30 consignment note (waybill)	بوليصة الشحْن	3 underframe (frame)	الهيكّل السفليّ، الحاملة
31 weighing machine	ماكينة الوزن	4 bogie (truck) with steel and rubber suspension and shock absorbers	مجتمّع عجلات ذو تعليق صلب ومطاط ومخمدات الصدمات
32 pallet	منصّة نقالة	5 battery containers (battery boxes)	صناديق البطاريّات
33 porter	شّيال	6 steam and electric heat exchanger for the heating system	مبادّل الحرارة والبخار الخاص بنظام التدفئة
34 electric cart (electric truck)	عربة نقل كهربائية	7 sliding window	نافذة منزلقّة
35 trailer	مقطورة	8 rubber connecting seal	وصلة مطاطية مكمّكة
36 loading supervisor	مشرف الشحْن	9 ventilator	آلية تهوية
37 goods shed door (Am. freight house door)	باب عنبر البضائع/عنبر الشحْن	10-21 plan	تصميم العربة
38 rail (slide rail)	قضيب (قضيب انزلاقيّ)	10 second-class section	قسم الدرجة الثانية
39 roller	عجلة أسطوانية	11 corridor	ممرّ العربة
40 weighbridge office	مكتب جسر قبان	12 folding seat (tip-up seat)	مقعد قابل للطي
41 weighbridge	جسر قبان	13 passenger compartment (compartment)	مقصورة المسافرين
42 marshalling yard (Am. classification yard, switch yard)	ساحة التحويل	14 compartment door	باب المقصورة
43 shunting engine (shunting locomotive, shunter, Am. switch engine, switcher)	قاطرة التحويل	15 washroom	خليفة الغسيل
44 marshalling yard signal box (Am. classification yard switch tower)	كثك إشارات ساحة التحويل	16 toilet (lavatory, WC)	دورة مياه
45 yardmaster	مسؤول الساحة	17 first-class section	قسم الدرجة الأولى
46 hump	خديّة، سنام	18 swing door	باب أرجوحيّ
47 sorting siding (classification siding, classification track)	خطّ الفرز والتصنيف	19 sliding connecting door	باب توصيل منزلق
48 rail brake (retarder)	قضيب فرملة	20 door	باب
49 slipper brake (slipper)	فرملة انزلاقية	21 vestibule	دهليز، رواق
50 storage siding (siding)	خطّ تخزين	22-32 dining car (restaurant car, diner)	عربة المطعم
51 buffer (buffers, Am. bumper)	مصدّ	22-25 side elevation (side view)	منسقط جانبيّ
52 wagon load (Am. carload)	حمولة عربة	22 door	باب
		23 loading door	باب تحميل الأمتعة
		24 current collector for supplying power during stops	قضيب توصيل التّيار الكهربائيّ لإمداد الطاقة أثناء التّوقفات
		25 battery boxes (battery containers)	صناديق البطاريّات

26-32 plan	تصميم عربة المطعم	cover	مسد دراع مُرود سمعصمة
26 staff washroom	غرفة غسل خاصة بالعاملين	69 armrest with ashtray	سحائر
27 storage cupboard	صوان تخزين	70 cloakroom	خليفة تطبيق البعاءات والمعاطف
28 washing-up area	منطقة غسل الأواني والأطباق	71 luggage compartment	خليفة الأمتعة
29 kitchen	المطبخ	72 toilet (lavatory, WC)	دورة مياه
30 electric oven with eight hotplates	موقد طهي كهربائيّ ثماني الشّعلات	73 buffet car (quick-service buffet car), a self-service restaurant car	عربة البوفيه (المطعم)
31 counter	كاؤنتر الخدمة	74 side elevation (side view)	منسقط جانبيّ
32 dining compartment	مطعم القطار	75 current collector for supplying power during stops	قضيب توصيل التّيار الكهربائيّ للإمداد بالطاقة أثناء التّوقف
33 dining car kitchen	مطبخ عربة المطعم	76 plan	تصميم عربة البوفيه
34 chef (head cook)	رئيس الطّهاة	77 dining compartment	المطعم (خليفة الطعام)
35 kitchen cabinet	خزانة المطبخ	78-79 buffet (buffet compartment)	البوفيه
36 sleeping car (sleepers)	عربة النّوم	78 customer area	منطقة الزبائن
37 side elevation (side view)	منسقط جانبيّ	79 serving area	منطقة الخدمة
38-42 plan	تصميم عربة النّوم	80 kitchen	المطبخ
38 two-seat twin-berth compartment (two-seat two-berth compartment, Am. bedroom)	مقصورة ذات مقعدين ومضجعين	81 staff compartment	خليفة العاملین
39 folding doors	أبواب قابلة للطي	82 staff toilet (staff lavatory, staff WC)	دورة المياه للعاملين
40 washstand	حوض غسل (مغسل)	83 food compartments	خليفة الطعام
41 office	مكتب	84 plates	الأطباق
42 toilet (lavatory, WC)	دورة مياه	85 cutlery	أدوات المائدة (السكاكين)
43 express train compartment	مقصورة القطار السريع	86 till (cash register)	ماكينة دفع النقديّة
44 upholstered reclining seat	مقعد منجد قابل للبط	208 Railway Vehicles (Rolling Stock) II	عربات السكك الحديدية (2)
45 armrest	مسند الذراع	1-30 local train service	خدمة القطار المحلي
46 ashtray in the armrest	مقفضة سحائر مثبتة بمسند الذراع	1-12 local train (short-distance train)	قطار محليّ (للسافرات القصيرة)
47 adjustable headrest	مسند رأسي قابل للتعدّل	1 electric locomotive	قاطرة كهربية
48 antimacassar	غطاء ظهر المقعد	2 current collector	ذراع توصيل التّيار
49 mirror	مرآة	3 four-axled coach (four-axled car) for short-distance routes, a passenger coach (passenger car)	عربة رباعية المحاور للمسافرات القصيرة، عربة ركاب
50 coat hook	غلاقة المعطف	4 bogie (truck) [with disc (disk) brakes]	مجتمّع عجلات [دو فرامل قرصية]
51 luggage rack	رفّ الأمتعة	5 underframe (frame)	الهيكّل السفليّ
52 compartment window	نافذة المقصورة	6 coach body with metal panelling (Am. panelling)	جسم العربة المكمّو بألواح معدنيّة
53 fold-away table (pull-down table)	طاولة قابلة للطي	7 double folding doors	أبواب مزدوجة قابلة للطي
54 heating regulator	منظّم التدفئة	8 compartment window	نافذة العربة
55 litter receptacle	صندوق مهملات	9 open carriage	عربة مفتوحة
56 curtain	ستارة	10 entrance	مدخل
57 footrest	مسند القدمين	11 connecting corridor	دهليز توصيل
58 corner seat	مقعد الزاوية	12 rubber connecting seal	وصلة مطاطية مكمّكة
59 open car	عربة مفتوحة	13 light railcar, a short-distance railcar	عربة سكة حديدية خفيفة للمسافرات القصيرة
60 side elevation (side view)	منسقط جانبيّ	14 cab (driver's cab, Am. engineer's cab)	كابينة السائق
61-72 plan	تصميم العربة المفتوحة	15 carriage door	باب العربة
61 open carriage	عربة مفتوحة		
62 row of single seats	صفّ مقاعد فردية		
63 row of double seats	صفّ مقاعد مزدوجة		
64 reclining seat	مقعد قابل للبط		
65 seat upholstery	وسادة مقعد		
66 backrest	مسند الظهر		
67 headrest	مسند الرأس		
68 down-filled headrest cushion with nylon	وسادة مسند رأس محشوة لها غطاء من النايلون		

16 connecting hoses and coupling	خراطيم ومقارن توصيل	20 TGV (Train à Grande Vitesse) of the Société Nationale des Chemins de Fer Français (SNCF)	القطار السريع للجمعية القومية للسكك الحديدية الفرنسية
17 coupling link	وصلة قارئة	210 Railway Vehicles (Rolling Stock) IV	عربات السكك الحديدية (4)
18 tensioning device (coupling screw with tensioning lever)	جهاز شد	1-69 steam locomotives	القاطرات البخارية
19 unlinked coupling	قارئة غير موصلة	2-37 locomotive boiler and driving gear	مرجل وقوس إدارة القاطرة
20 heating coupling hose (steam coupling hose)	خراطيم توصيل هواء التدفئة	2 tender platform with coupling	منصة تموين ذات مقرن
21 coupling hose (connecting hose) for the compressed-air braking system	خراطيم قارن خاص بنظام فرملة الهواء المضغوط	3 safety valve for excess boiler pressure	صمام أمان لضغط المرجل الزائد
22 second-class section	قسم الدرجة الثانية	4 firebox	صندوق اللهب
23 central gangway	ممر وسط العربة	5 drop grate	مصبغة ساقطة
24 compartment	مقصورة	6 ashpun with damper doors	مرممة بها أبواب مقلب
25 upholstered seat	مقعد منجد	7 bottom door of the ashpun	رَمَاد المرجل الباب السفلي للمرمة
26 armrest	مسند الذراع	8 smoke tubes (flue tubes)	أنابيب الدخان
27 luggage rack	رف الأمتعة	9 feed pump	مصبغة تغذية
28 hat and light luggage rack	رف حفظ القبعات والأمتعة الخفيفة	10 axle bearing	محمل المحور
29 ashtray	مقبضة السجائر	11 connecting rod	قضيب توصيل
30 passenger	راكب	12 steam dome	قبة البخار
209 Railway Vehicles (Rolling Stock) III	عربات السكك الحديدية (3)	13 regulator valve (regulator main valve)	صمام المنظم
1-19 Intercity Express	القطار السريع للسفر بين المدن	14 sand dome	قبة الرمل
1 German Federal Railway trainset	قطار السكك الحديدية الألمانية	15 sand pipes (sand tubes)	مواسير الرمل
2 driving unit (power car)	وحدة الدفع (عربة الطاقة)	16 boiler (boiler barrel)	المرجل
3 driving bogie with traction motors	مجموع عجلات ومحركات السحب	17 fire tubes or steam tubes	مؤاسير اللهب أو مؤاسير البخار
4 cab (driver's cab, Am. engineer's cab)	كابينة السائق	18 reversing gear (steam reversing gear)	ترس عاكس
5 power supply (traction current filter)	إمداد الطاقة (فلتر تيار الجذب)	19 sand pipes	مؤاسير الرمل
6 contactors (converters, inductance)	مفاتيح تلامس (محولات، محثات)	20 feed valve	صمام تغذية
7 traction motor blower	نافع موتور السحب	21 steam collector	آلية تجميع البخار
8 inductance protection (converter)	وقاية المحثات (محول)	22 chimney (smokestack, smoke outlet and waste steam exhaust)	مدخنة (مقعد الدخان وعادم البخار)
9 oil-cooling plant	وحدة تبريد الزيت	23 feedwater preheater (feedwater heater, economizer)	مسخن ماء التغذية
10 converter for the auxiliaries	محول المعدات المساعدة	24 spark arrester	مناعة الشرر
11 electronics	أجهزة إلكترونية	25 blast pipe	ماسورة العصف
12 control current equipment	معدات ضبط التيار	26 smokebox door	باب صندوق الدخان
13 auxiliaries (switchgear)	معدات مساعدة (مجموعة المفاتيح الكهربائية)	27 cross head	طرفيوش
14 pneumatic equipment	معدات تعمل بالهواء المضغوط	28 mud drum	صندوق الحماة
15 air-conditioning plant	وحدة تكييف الهواء	29 top feedwater tray	صينية ماء تغذية علوية
16 main current converters	محولات التيار الرئيسية	30 combination lever	رافعة تجميعية
17 measuring equipment (diagnosis)	معدات قياس	31 steam chest	صندوق البخار
18 continuous automatic train-running control	مضببط تشغيل القطار بشكل متواصل آلياً	32 cylinder	أسطوانة
19 transformer	محول	33 piston rod with stuffing box (packing box)	ذراع المكبس وبها صندوق الضو
		34 guard iron (rail guard, Am. pilot, cowcatcher)	قضيب أمان
		35 carrying axle (running	عمود حمل

axle, dead axle)	عمود مقرون	condensing tender)	عربات السكك الحديدية (5)
36 coupled axle	عمود الإدارة	211 Railway Vehicles (Rolling Stock) V	قاطرة كهربائية
37 driving axle	عمود الإدارة	1 electric locomotive	ذراع توصيل التيار
38 express locomotive with tender	قاطرة سريعة ذات قاطرة تموين	2 current collector	مفتاح التشغيل الرئيسي
39-63 cab (driver's cab, Am. engineer's cab)	كابينة سائق القطار	3 main switch	محول عالي الضغط
39 fireman's seat	مقعد الوقاد	4 high-tension transformer	كبل السقف
40 drop grate lever	ذراع المصبغة الساقطة	5 roof cable	موتور جرب
41 line steam injector	حاقن البخار	6 traction motor	نظام تحكم حثي في القطار
42 automatic lubricant pump (automatic lubricator)	مبصطة تشحيم آلية	7 inductive train control system	خزان الهواء الرئيسي
43 preheater pressure gauge (Am. gage)	مقياس ضغط المسخن المتقدم	8 main air reservoir	صافرة
44 carriage heating pressure gauge (Am. gage)	مقياس ضغط تدفئة العربات	9 whistle	تمثيل تخطيطي للقاطرة
45 water gauge (Am. gage)	مقياس الماء	10 transformer with tap changer	محول ذو آلية تغيير المأخذ
46 light	مصباح الإنارة	11 oil cooler with blower	مبرد الزيت ونافع
47 boiler pressure gauge (Am. gage)	مقياس ضغط المرجل	12 oil-circulating pump	مبصطة تدوير الزيت
48 distant-reading temperature gauge (Am. gage)	مقياس الحرارة وقراءة المسافة	13 tap changer driving mechanism	آلية إدارة متغير المأخذ
49 cab (driver's cab, Am. engineer's cab)	كابينة السائق	14 air compressor	ضاغط هواء
50 brake pressure gauge (Am. gage)	مقياس ضغط الفرملة	15 traction motor blower	نافع موتور الجرب
51 whistle valve handle	مقبض صمام الصافرة	16 terminal box	علبة نهايات/مرايط
52 driver's timetable (Am. engineer's schedule)	جدول مواعيد السائق	17 capacitors for auxiliary motors	مكثفات خاصة بالمحركات الإضافية
53 driver's brake valve (Am. engineer's brake valve)	صمام فرملة السائق	18 commutator cover (المهندس)	غطاء المبدل
54 speed recorder (tachograph)	مسجل السرعة (عداد التورات)	19 cab (driver's cab, Am. engineer's cab)	كابينة (كابينة السائق/المهندس)
55 sanding valve	صمام الرمل	20 controller handwheel	عجلة التحكم
56 reversing wheel	عجلة عاكسة	21 dead man's handle	ذراع ثابت
57 emergency brake valve	صمام فرملة الطوارئ	22 driver's brake valve (Am. engineer's brake valve)	صمام فرملة السائق
58 release valve	صمام إعتاق	23 ancillary brake valve (auxiliary brake valve)	صمام فرملة تابع
59 driver's seat (Am. engineer's seat)	مقعد السائق	24 pressure gauge (Am. gage)	مقياس الضغط
60 firehole shield	وقاء نقب الإشعال	25 bypass switch for the dead man's handle	مفتاح تحويلي للذراع الثابت
61 firehole door	باب نقب الإشعال	26 tractive effort indicator	مبين قدرة الجرب
62 vertical boiler	مرجل رأسي	27 train heating voltage indicator	مبين فولطية تدفئة القطار
63 firedoor handle handgrip	مقبض باب الموقد	28 contact wire voltage indicator (overhead wire voltage indicator)	مبين فولطية ذو سلك تلامسي
64 articulated locomotive (Garratt locomotive)	قاطرة مفصّلية	29 high-tension voltage indicator	مبين فولطية عالي الضغط
65 tank locomotive	قاطرة صهريجية	30 on/off switch for the current collector	مفتاح تشغيل/إيقاف ذراع توصيل التيار
66 water tank	خزان الماء	31 main switch	مفتاح التشغيل الرئيسي
67 fuel tender	قاطرة تموين الوقود	32 sander switch (sander control)	مضببط مدبرة الرمل
68 steam storage locomotive (fireless locomotive)	قاطرة بخارية	33 anti-skid brake switch	مفتاح فرامل مقاومة للانزلاق
69 condensing locomotive (locomotive with	قاطرة ذات مقطورة ماء ووقود مكثفة	34 visual display for the ancillary systems	شاشة متتابعة الأنظمة التابعة
		35 speedometer	عداد السرعة
		36 running step indicator	مفتاح التشغيل المتدرج

37 clock	ساعة	6 main air pressure gauge (<i>Am. gage</i>)	مقياس ضغط الهواء الرئيسي	41 preheater	سخان متقدم	80 hand brake wheel	عجلة الفرملة اليدوية
38 controls for the inductive train control system	مضابيط نظام التحكم الحثي في القطار	7 brake cylinder pressure gauge (<i>Am. gage</i>)	مقياس ضغط أسطوانة الفرامل	42 exhaust silencer (<i>Am. exhaust muffler</i>)	كاتب الصوت، علبّة العادم	81 control wheel	عجلة التحكم
39 cab heating switch	مفتاح تدفئة الكابينة	8 main air reservoir pressure gauge (<i>Am. gage</i>)	مقياس ضغط خزّان الهواء الرئيسي	43 auxiliary heat exchanger for the transmission oil	مبادل حراري ثانوي لزيت نقل السرعة	82 coupling	مقرن، كوبنج
40 whistle lever	ذراع تشغيل الصافرة	9 speedometer	عداد السرعة	44 hydraulic brake	فرملة ايدروليّة	83 cardan shaft	عمود كرادان
41 contact wire maintenance vehicle (overhead wire maintenance vehicle), a diesel railcar	عربة صيانة سلك التلامس	10 auxiliary brake	فرامل إضافية	45 tool box	صندوق الأدوات	84 louvred shutter	غطاء ذو شفة للتوهية
42 work platform (working platform)	منصة الشغل	11 driver's brake valve (<i>Am. engineer's brake valve</i>)	صمام فرملة السائق	46 starter battery	بطارية بدء التشغيل	213 Railway Vehicles (Rolling Stock) VII	عربات السكك الحديدية (7)
43 ladder	سلم درجّي	12 controller handwheel	عجلة التحكم	47 diesel-hydraulic locomotive for light and medium shunting service	قاطرة ايدروليّة تعمل بالديزل لخدمة تحويلات الخط الخفيفة والمتوسطة	1 diesel-hydraulic locomotive	قاطرة ايدروليّة تعمل بالديزل
44-54 mechanical equipment of the contact wire maintenance vehicle	المعدات الميكانيكية لغربية صيانة سلك التلامس	13 dead man's handle	ذراع ثابت	48 exhaust silencer (<i>Am. exhaust muffler</i>)	كاتب الصوت، علبّة العادم	2 cab (driver's cab, <i>Am. engineer's cab</i>)	كابينة السائق/المهندس
44 air compressor	ضاغط هواء	14 inductive train control system	نظام تحكم حثّي في القطار	49 bell and whistle	جرس وصافرة	3 wheel and axle set	طاقم من عجلة ومحور
45 blower oil pump	مضخة زيت النافخ	15 signal lights	لمبات الإشارة	50 yard radio	راديو اتصال بساحة القطارات	4 aerial for the yard radio	هوائي راديو ساحة القطارات
46 generator	مولد كهربائي	16 clock	ساعة	51-67 elevation of locomotive	مسطط رأسي للقاطرة	5 standard flat wagon (<i>Am. standard flatcar</i>)	عربة مسطحة عادية
47 diesel engine	محرك ديزل	17 voltage meter for the train heating system	مقياس فولطية نظام تدفئة القطار	51 diesel engine with supercharged turbine	محرك ديزل يعمل بتوربين مزيد الشحن	6 hinged steel stanchion (stanchion)	قائم دعامة صلب مفصليّ
48 injection pump	مضخة حقن	18 current meter for the train heating system	مقياس تيار نظام تدفئة القطار	52 fluid transmission	نقل حركة مانعيّ	7 buffers	مصدات
49 silencer (<i>Am. muffler</i>)	كاتب الصوت، علبّة العادم	19 engine oil temperature gauge (<i>Am. gage</i>)	عداد حرارة زيت المحرك	53 output gear box	صندوق تروس الخرج	8 standard open goods wagon (<i>Am. standard open freight car</i>)	عربة بضائع عادية مفتوحة
50 change-speed gear	تروس تغيير السرعة	20 transmission oil temperature gauge (<i>Am. gage</i>)	عداد حرارة زيت عمود نقل الحركة	54 radiator	مشع	9 revolving side doors	أبواب جانبية دوّارة
51 cardan shaft	عمود كرادان	21 cooling water temperature gauge (<i>Am. gage</i>)	عداد حرارة ماء التبريد	55 heat exchanger for the engine lubricating oil	مبادل حراري لزيت ترليق المحرك	10 hinged front	مقدمة مفصليّة
52 wheel flange lubricator	مشحمة شفة العجلة	22 revolution counter (rev counter, tachometer)	عداد لفات	56 fuel tank	خزان الوقود	11 standard flat wagon (<i>Am. standard flatcar</i>) with bogies	عربة مسطحة عادية تسير على منجّام عجلات
53 reversing gear	ترس عاكس	23 radio-telephone	تليفون لاسلكي	57 main air reservoir	خزان الهواء الرئيسي	12 sole bar reinforcement	قضيب تقوية القاعدة
54 torque converter bearing	محامل محوّل عزم الليّ	24 diesel-hydraulic locomotive [plan and elevation]	قاطرة ايدروليّة تعمل بالديزل [تمثيل خططي ومسطط رأسي]	58 air compressor	ضاغط هواء	13 bogie (truck)	منجّع عجلات
55 accumulator railcar (battery railcar)	عربة تسير بالمرحّمات	25 diesel engine	محرك يعمل بالديزل	59 sand boxes	صناديق الرّمّل	14 covered goods van (<i>covered goods wagon, Am. boxcar</i>)	عربة بضائع مغطاة
56 battery box (battery container)	صندوق البطاريات	26 cooling unit	وحدة تبريد	60 reserve fuel tank	خزان الوقود الاحتياطي	15 sliding door	باب انزلاقي
57 cab (driver's cab, <i>Am. engineer's cab</i>)	كابينة السائق/المهندس	27 fluid transmission	نقل حركة مانعيّ	61 auxiliary air reservoir	خزان هواء إضافي	16 ventilation flap	قلابة توهية
58 second-class seating arrangement	ترتيب مقاعد الدرجة الثانية	28 wheel and axle drive	إدارة العجلة والمحور	62 hydrostatic fan drive	إدارة مروحة هيدروستاتيّة	17 snow blower (rotary snow plough, <i>Am. snowplow</i>), a track-clearing vehicle	عربة إزاحة الثلوج
59 toilet (lavatory, WC)	دورة مياه	29 cardan shaft	عمود كرادان	63 seat with clothes compartment	مقعد وبه خبيرة للملابس	18 wagon (<i>Am. car</i>) with pneumatic discharge	عربة تعمل بتفريغ الهواء المضغوط
60 fast electric multiple-unit train	قطار كهربائيّ سريع متعدّد الوحدات	30 starter motor	محرك بدء التشغيل	64 hand brake wheel	عجلة الفرملة اليدوية	19 filler hole	فتحة التعبئة
61 front railcar	عربة القطار الأمامية	31 instrument panel	لوحة الآلات	65 cooling water	ماء التبريد	20 compressed-air supply	إمداد الهواء المضغوط
62 driving trailer car	عربة قاطرة الدفع	32 driver's control desk (<i>Am. engineer's control desk</i>)	لوحة التحكم الخاصة بالسائق/المهندس	66 ballast	صانورة	21 discharge connection valve	صمام توصيل التفريغ
212 Railway Vehicles (Rolling Stock) VI	عربات السكك الحديدية (6)	33 hand brake	فرملة يدوية	67 engine and transmission control wheel	عجلة التحكم في المحرك ونقل السرعة	22 goods van (<i>Am. box-car</i>) with sliding roof	عربة بضائع ذات سقف انزلاقي
1-84 diesel locomotives	قاطرات تعمل بالديزل	34 air compressor with electric motor	ضاغط هواء ذو محرك كهربائي	68 small diesel locomotive for shunting service	قاطرة صغيرة تعمل بالديزل لخدمة تحويل الخط	23 roof opening	فتحة السقف
1 diesel-hydraulic locomotive, a mainline locomotive (diesel locomotive) for medium passenger and goods service (freight service)	قاطرة ايدروليّة تعمل بالديزل لخدمة ركّاب المسافات المتوسطة والشحن	35 equipment locker	خزّانة المعدات	69 exhaust casing	غلاف علبّة العادم	24 bogie open self-discharge wagon (<i>Am. bogie open self-discharge freight car</i>)	عربة مفتوحة ذاتيّة التفريغ تتحرك على منجّام عجلات
2 bogie (truck)	منجّع عجلات	36 heat exchanger for transmission oil	مبادل حراري لزيت نقل الحركة	70 horn	بوق	25 discharge flap (discharge door)	قلابة/باب التفريغ
3 wheel and axle set	طاقم من عجلة ومحور	37 engine room ventilator	التي توهية غرفة المحرك	71 main air reservoir	خزان الهواء الرئيسي	26 bogie wagon with swivelling (<i>Am. swiveling</i>) roof	عربة ذات سقف دوّرائي تسير على منجّام عجلات
4 main fuel tank	خزان الوقود الرئيسي	38 magnet for the inductive train control system	مغناطيس نظام التحكم الحثي في القطار	72 air compressor	ضاغط هواء	27 swivelling (<i>Am. swiveling</i>) roof	سقف دوّرائي
5 cab (driver's cab, <i>Am. engineer's cab</i>) of a diesel locomotive	كابينة قاطرة الديزل	39 train heating generator	مولد كهربائي لتدفئة القطار	73 eight-cylinder diesel engine	محرك ديزل ثماني الأسطوانات		
		40 casing of the train heating system transformer	غلاف محوّل نظام تدفئة القطار	74 Voith transmission with reversing gear	نقل سرعة طراز "فويث" مع ترس عاكس		
				75 heating oil tank (fuel oil tank)	خزان زيت التدفئة		
				76 sand box	صندوق الرّمّل		
				77 cooling unit	وحدة التبريد		
				78 header tank for the cooling water	خزان علويّ لماء التبريد		
				79 oil bath air cleaner (oil bath air filter)	مرشّح هواء حمام الزيت		

28 large-capacity wagon (Am. large-capacity car) for small livestock	عربة كبيرة الحمولة لنقل العاشية الصغيرة	(carrying wheel)	
29 sidewall with ventilation flaps (slatted wall)	جدار جانبي ذو قلابات تهوية	8 driving pinion	ترس الإدارة/الدفع
30 ventilation flap	قلاية تهوية	9 rack [with teeth machined on top edge]	جريدة [ذات أسنان بالحافة العلوية]
31 tank wagon (Am. tank car)	عربة صهريج	10 rail	قضيب سكة حديدية
32 track inspection railcar	عربة سكة حديدية لفحص المسار	11 rack [with teeth on both outer edges]	جريدة [ذات أسنان بكتا الحافتين الخارجيتين]
33 open special wagons (Am. open special freight cars)	عربات شحن خاصة مفتوحة	12 funicular railway (funicular, cable railway)	سكة حديدية معلقة
34 lorry (Am. truck) with trailer	شاحنة ذات مقطورة	13 funicular railway car	عربة سكة حديدية معلقة
35 two-tier car carrier (double-deck car carrier)	حاملة عربات ذات طابقين	14 haulage cable	كابل السحب
36 hinged upper deck	سطح علوي مفضلّي	15-38 cableways (rope-ways, cable suspension lines)	التعليق كابل
37 tipper wagon (Am. dump car) with skips	عربة قلاية قادوسية	15-24 single-cable rope-ways (single-cable suspension lines), endless cableways, endless ropeways	سكة حديدية كبلية مفردة الكابل
38 skip	قادوس	15 drag lift	مصعد السحب
39 general-purpose refrigerator wagon (refrigerator van, Am. refrigerator car)	برادة للأغراض العامة	16-18 chair lift	مصعد ذو مقعد
40 interchangeable bodies for flat wagons (Am. flatcars)	أجسام قابلة للإبدال للعربات المسطحة	16 lift chain, a single chain	سلسلة المصعد، سلسلة مفردة
214 Mountain Railways (Am. Railroads) and Cableways	السكك الحديدية الجبلية والسكك الحديدية الكبلية	17 double lift chair, a two-seater chair	مقعد مزدوج
1-14 mountain railways (Am. mountain railroads)	السكك الحديدية الجبلية	18 double chair (two-seater chair) with coupling	مقعد مزدوج ذو مقعرن
1 adhesion railcar	عربة سكة حديدية لاصقة	19 gondola cableway, an endless cableway	سكة حديدية كبلية ذات عربات مكشوفة
2 drive	إدارة	20 gondola (cabin)	عربة مكشوفة (غندولا)
3 emergency brake	فرملة الطوارئ	21 endless cable, a suspension (supporting- and haulage cable)	كابل تعليق مستمر
4 & 5 rack mountain railway (rack-and-pinion railway, cog railway, Am. cog railroad, rack railroad)	سكة حديدية ذات جريدة وترس (مسننة)	22 U-rail	قضيب على شكل حرف U
4 electric rack railway locomotive (Am. electric rack railroad locomotive)	قاطرة سكة حديدية كهربائية مسننة	23 single-pylon support	دعامة ذات برج مفرد
5 rack railway coach (rack railway trailer, Am. rack railroad car)	عربة سكة حديدية مسننة	24 gantry support	حامل قنطرة
6 tunnel	نفق	25 double-cable ropeway (double-cable suspension line), a suspension line with balancing cabins	سكة حديدية كبلية مزدوجة الكابل
7-11 rack railways (rack-and-pinion railways, Am. rack railroads) [systems]	سكك حديدية مسننة	26 haulage cable	كابل السحب
7 running wheel	عجلة التشغيل/الصّل	27 suspension cable (supporting cable)	كابل التعليق
		28 cabin	كابينة
		29 intermediate support	دعامة وسطية
		30 cableway (ropeway, suspension line), a double-cable ropeway (double-cable suspension line)	سكة حديدية كبلية
		31 pylon	برج
		32 haulage cable roller	أسطوانة كابل السحب
		33 cable guide rail (suspension cable bearing)	قضيب دليلي للكابل
		34 skip, a tipping bucket (Am. dumping bucket)	قادوس، قادوس قلب
		35 stop	زراع إيقاف

36 pulley cradle	محمل البكرات	71 suspension cable brake (supporting cable brake), an emergency brake in case of haulage cable failure	فرملة كابل التعليق، فرملة طوارئ في حالة انقطاع كابل السحب
37 haulage cable	كابل السحب	72 suspension gear bolt	مسامير تثبيت آلية التعليق
38 suspension cable (supporting cable)	كابل التعليق	73 haulage cable sleeve	كم كابل السحب
39 valley station (lower station)	محطة ركبية (منخفضة)	74 balance cable sleeve (lower cable sleeve)	كم كابل الموازنة
40 tension weight shaft	مهواة ثقل الشد	75 derailment guard	وقاء الحيود
41 tension weight for the suspension cable (supporting cable)	ثقل شد كابل التعليق	76 cable supports (rope-way supports, suspension line supports, intermediate supports)	دعامات حمل السكة الحديدية الكبلية
42 tension weight for the haulage cable	ثقل شد كابل السحب	77 pylon, a framework support	برج
43 tension cable pulley	بكرة ثقل الشد	78 tubular steel pylon, a tubular steel support	برج أنبوبي من الصلب
44 suspension cable (supporting cable)	كابل التعليق	79 suspension cable guide rail (supporting cable guide rail, support guide rail)	قضيب دليلي لكابل التعليق
45 haulage cable	كابل السحب	80 support truss, a frame for work on the cable	كثيفة دعم
46 balance cable (lower cable)	كابل موازنة (كابل سفلي)	81 base of the support	قاعدة الدعامة
47 auxiliary cable (emergency cable)	كابل إضافي (للطوارئ)		
48 auxiliary-cable tensioning mechanism (emergency-cable tensioning mechanism)	آلية شد كابل الطوارئ		
49 haulage cable rollers	أسطوانات كابل السحب		
50 spring buffer (Am. spring bumper)	مصد معلق على نابض		
51 valley station platform (lower station platform)	رصيف المحطة الركبية		
52 cabin (cableway gondola, ropeway gondola, suspension line gondola), a large-capacity cabin	كابينة (كبيرة السعة)		
53 pulley cradle	محمل البكرات		
54 suspension gear	آلية التعليق		
55 stabilizer	آلية موازنة		
56 guide rail	قضيب دليلي		
57 top station (upper station)	محطة علوية		
58 suspension cable guide (supporting cable guide)	دليل كابل التعليق		
59 suspension cable anchorage (supporting cable anchorage)	إرساء كابل التعليق		
60 haulage cable rollers	أسطوانات كابل السحب		
61 haulage cable guide wheel	عجلة دليلية لكابل السحب		
62 haulage cable driving pulley	بكرة دفع كابل السحب		
63 main drive	الإدارة الرئيسية		
64 standby drive	إدارة احتياطية		
65 control room	غرفة التحكم		
66 cabin pulley cradle	محمل بكرات الكابينة		
67 main pulley caradle	محمل البكرات الرئيسي		
68 double cradle	محمل مزدوج		
69 two-wheel cradle	محمل ذو عجلتين		
70 running wheels	عجلات التشغيل		
		215 Bridges	الجسور
		1 cross-section of a bridge	مقطع عرضي للجسر
		2 orthotropic roadway (orthotropic deck)	طريق مستقيم
		3 truss (bracing)	كثيفة (تقوية بالشكالات)
		4 diagonal brace (diagonal strut)	شكال مائل
		5 hollow tubular section	جزء أنبوبي أجوف
		6 deck slab	بلاط السطح
		7 solid-web girder bridge (beam bridge)	جسر برافيدة ذات وترّة مصمّنة
		8 road surface	سطح الطريق
		9 top flange	شفة علوية
		10 bottom flange	شفة سفلية
		11 fixed bearing	محمل ثابت
		12 movable bearing	محمل متحرك
		13 clear span	باع، بحر الجسر
		14 span	مسافة ممتدة
		15 rope bridge (primitive suspension bridge)	جسر كبلي/خيلي
		16 carrying rope	كابل/ حبل الحمل
		17 suspension rope	كابل/ حبل التعليق
		18 woven deck (woven decking)	سطح جسر منسوج
		19 stone arch bridge, a solid bridge	جسر عقدي/قنطري حجري
		20 arch	عقد، قنطرة
		21 pier	دعامة جسر
		22 statue	تمثال
		23 trussed arch bridge	جسر عقدي جمّوني
		24 truss element	عضو جمّوني
		25 trussed arch	عقد جمّوني

26 arch span	باج / بحر المقعد	section, pivoting span,
27 abutment (end pier)	مُتَكَ الجسر	movable half) of bridge
28 spandrel-braced arch bridge	جسر عقدي مَقْوَى بِعُرْوَة عقديّة	67 flat swing bridge
29 abutment (abutment pier)	مُتَكَ الجسر	68 middle section
30 bridge strut	رَكِيزَة الجسر	69 pivot
31 crown	تاج	70 parapet (handrailing)
32 covered bridge of the Middle Ages (the Ponte Vecchio in Florence)	جسر مغطى من طراز العصور الوسطى (جسر "بونت فيكسيو" في فلورنسا)	216 Rivers and River Engineering
33 goldsmiths' shops	محلات الصّاعة	1 cable ferry (also: chain ferry), a passenger ferry
34 steel lattice bridge	جسر شبكي من الصلب	2 ferry rope (ferry cable)
35 counterbrace (cross-brace, diagonal member)	تكتيف مُتَعَارِض	3 river branch (river arm)
36 vertical member	عَضْو رأسى	4 river island (river islet)
37 truss joint	وَصْلَة شَدّ	5 collapsed section of riverbank, flood damage
38 portal frame	هَيْكَل البوابة	6 motor ferry
39 suspension bridge	جسر معلق	7 ferry landing stage (motorboat landing stage)
40 suspension cable	كَبيل التعليق	8 pile foundations
41 suspender (hanger)	قَضيب تعليق، علاقة	9 current (flow, course)
42 tower	برج	10 flying ferry (river ferry), a car ferry
43 suspension cable anchorage	إرْسَاء كَبيل التعليق	11 ferry boat
44 tied beam [with roadway]	كَبْرَة مشدودة [مع طريق معبدة]	12 buoy (float)
45 abutment	مُتَكَ الجسر	13 anchorage
46 cable-stayed bridge	جسر بشدّادات كَبيليّة	14 harbour (Am. harbor) for laying up river craft
47 inclined tension cable	كَبيل شد مائل	15 ferry boat (punt)
48 inclined cable anchorage	إرْسَاء الكَبيل المائل	16 pole (punt pole, quant pole)
49 reinforced concrete bridge	جسر خرساني مسلح	17 ferryman
50 reinforced concrete arch	عقد من الخرسانة المسلحة	18 blind river branch (blind river arm)
51 inclined cable system (multiple cable system)	نظام كَبيلات مائلة	19 groyne (Am. groin)
52 flat bridge, a plate girder bridge	جسر مسطح	20 groyne (Am. groin) head
53 stiffener	عَضَادَة، قطعة تقوية	21 fairway (navigable part of river)
54 pier	دَعَامَة الجسر	22 train of barges
55 bridge bearing	مَحْطَل الجسر	23 river tug
56 cutwater	دَعَامَة الجسر العُودِيّة على مسار الماء	24 tow rope (tow line, towing hawser)
57 straits bridge, a bridge built of precast elements	جسر من أجزاء سابقة الصبّ	25 barge (freight barge, cargo barge, lighter)
58 precast construction unit	وَحْدَة إنشاء سابقة الصبّ	26 bargeman (bargee, lighterman)
59 viaduct	قنطرة متعددة الركائز	27 towing (hauling, haulage)
60 valley bottom	قاع منفرج	28 towing mast
61 reinforced concrete pier	دَعَامَة جسر خرسانيّة مسلحة	29 towing engine
62 scaffolding	الإسقالة	30 towing track; form.: tow path (towing path)
63 lattice swing bridge	جسر شبكي دَوّار	31 river after river training
64 turntable	صنينة دَوّارة، قرص دَوّار	32 dike (dyke, main dike, flood wall, winter dike)
65 pivot pier	دَعَامَة ارتكازيّة	
66 pivoting half (pivoting)	نصف جسر متحرك	

33 drainage ditch	خندق صرف	217 Waterway and Hydraulic Engineering
34 dike (dyke) drainage sluice	بُوابَة الصرف في جدار التهذيب	1-14 quay wall
35 wing wall	جدار الجانب (حائط جناح الحائط التي توجّه مجرى الماء)	1 road surface
36 outfall	مَخْرَج التصريف	2 body of wall
37 drain (infiltration drain)	صرف، بزل (صرف الترشيح)	3 steel sleeper
38 berm (berme)	مُسْتَواح	4 steel pile
39 top of dike (dyke)	قَمَة جدار التهذيب	5 sheet pile wall (sheet pile bulkhead, sheet piling)
40 dike (dyke) batter (dike slope)	مُتَحَدّر جدار التهذيب	6 box pile
41 flood bed (inundation area)	قاع فيضان النهر	7 backfilling (filling)
42 flood containment area	منطقة حصر الفيضان	8 ladder
43 current meter	مقياس سرعة التيار	9 fender (fender pile)
44 kilometre (Am. kilometer) sign	علامة كيلومتر	10 recessed bollard
45 dikereeve's (dykereeve's) house (dikereeve's cottage); also: ferryman's house (cottage)	كشك مراكبيّة جدار التهذيب	11 double bollard
46 dikereeve (dykereeve)	مراكبي جدار التهذيب	12 bollard
47 dike (dyke) ramp	ممر مُتَحَدّر لجدار التهذيب سدّ صُنْغِيّ	13 cross-shaped bollard (cross-shaped mooring bitt)
48 summer dike (summer dike)	سدّ، حاجز، ضفة الفيضان	14 double cross-shaped bollard (double cross-shaped mooring bitt)
49 levee (embankment)	أكياس رمل	15-28 canal
50 sandbags	وقاء الضفة، جدار احتجاز	15 & 16 canal entrance
51-55 bank protection (bank stabilization revetment)		15 mole
51 riprap	حجارة الذّكرة، ردم صخريّ	16 breakwater
52 alluvial deposit (sand deposit)	راسب غريني/ طمي	17-25 staircase of locks
53 fascine (bundle of wooden sticks)	شُدّة قضبان مترابطة لِدَعْم الجدار	17 lower level
54 wicker fences	سياج من الأماليد	18 lock gate, a sliding gate
55 stone pitching	تَكْسِيَة بالذّش	19 mitre (Am. miter) gate
56 floating dredging machine (dredger), a multi-bucket ladder dredge	كِرَاكَة عائمة	20 lock (lock chamber)
57 bucket elevator chain	سلسلة مرّفّاع قادوسيّ	21 power house
58 dredging bucket	قادوس التّوقف (غاطس)	22 warping capstan (hauling capstan), a capstan
59 suction dredger (hydraulic dredger) with trailing suction pipe or barge sucker	كِرَاكَة ماصّة ذات أنبوب ماص خلفي	23 warp
60 centrifugal pump	مِضْخَة نابذة	24 offices (e.g. canal administration, river police, customs)
61 back scouring valve	صمام تنظيف (كشج) خلفيّ	25 upper level (head)
62 suction pump, a jet pump with scouring nozzles	مِضْخَة ماصّة، مِضْخَة نفّاثَة ذات فوهات تنظيف	26 lock approach
		27 lay-by
		28 bank slope
		29-38 boat lift (Am. boat elevator)
		29 lower pound (lower reach)
		30 canal bed
		31 pound lock gate, a vertical gate
		32 lock gate
		33 boat tank (caisson)
		34 float
		35 float shaft
		36 lifting spindle
		القناة الملاحيّة والهندسة الهيدروليّة
		حائط الرصيف البحريّ
		سطح الطريق
		جسم الجدار
		رافعة صلب
		خازن وق صلب
		جدار سِتّارة خازنويّة
		خازن وق صُلْدوقيّ
		ردم
		سلم
		خازن وق الصنّد
		عمود غائر لربط الجبال
		على الرصيف
		عمود ربط جبال مزدوج
		عمود ربط الجبال على الرصيف
		عمود ربط جبال صليبي
		عمود ربط جبال صليبي مزدوج
		قناة
		مدخل القناة
		بُوابَة القناة
		مَلْظَم ، حاجز أمواج
		سلم الهواويس
		المستوى السفلي
		بُوابَة الهويس
		بُوابَة زاوية
		هويس
		مخطة الطاقة
		رُخويّة جبال شدّ المراكب للمرساة
		جبل مشدود إلى مرسة
		مكاتب (مثال إدارة القناة، السُرطنة النهرية، الجمارك)
		المستوى العلوي (رأس الهويس)
		مدخل الهويس
		مكان التوقف (غاطس)
		مُتَحَدّر الضفّة
		مرّفّاع القوارب
		اللسان السفلي
		قاع القناة
		بُوابَة هويس اللسان
		بُوابَة الهويس
		صهريج القوارب (قَسُون)
		عَوَامَة، طُوف
		مِهْرَاة العَوَامَة
		عمود رفع دَوّارنيّ

37 upper pound (upper reach)	اللسان العلوي	72 service bridge (walk-way)	جسر خدمة (ممشى)
38 vertical gate	بوابة رأسيّة	73-80 sluice dam	سدّ بقناة تصريف ذات بوابة تحكّم
39-46 pumping plant and reservoir	وحدة الضخّ والخزان	73 hoisting gear bridge	جسر معدّات الرفع
39 forebay	خليج أمامي	74 hoisting gear (winding gear)	معدّات الرفع
40 surge tank	صهريج الاتزان (منع التمور)	75 guide groove	أخدود دليلي
41 pressure pipeline	خطّ أنابيب ضغط	76 counterweight (counterpoise)	ثقل موازن
42 valve house (valve control house)	مبنى الصمامات	77 sluice gate (floodgate)	بوابة تحكّم (بوابة الهويس)
43 turbine house (pumping station)	محطّة التوربين (محطة الضع)	78 reinforcing rib	ضلع تقوية
44 discharge structure (outlet structure)	مبنى التفريغ	79 dam sill (weir sill)	عتبة السدّ
45 control station	محطّة التّحكّم	80 wing wall	حائط جناح الحائط التي توجه مجرى الماء
46 transformer station	محطّة المحوّل	218 Types of Historical Ship	أنواع القوارب عبر العصور
47-52 axial-flow pump	مضخّة دافعة (propeller pump)	1-6 Germanic rowing boat [ca. AD 400]; the Nydam boat	قارب تجديف على الطراز الجرّمانيّ [400 م]
47 drive motor	محرك الإدارة	1 stern post	قارب "البيداه"
48 gear	تروس الحركة	2 stern post	عمود الكؤش
49 drive shaft	عمود الإدارة	3 steersman	موجه الدفة
50 pressure pipe	أنبوب الضغط	3 oarsman	المجدّف
51 suction head	رأس المصنّ	4 stem post (stem)	عمود المؤجوج
52 impeller wheel	عجلة رفاضة (رفاص)	5 oar, for rowing	صمام بوابة التّحكّم في الصّرف
53-56 sluice valve (sluice gatc)	صمام بوابة التّحكّم في الصّرف	6 rudder (steering oar), a side rudder, for steering	دفة التّوجيه
53 crank drive	إدارة عمود المرفق	7 dugout, a hollowed-out tree trunk	زورق شجري. جذع شجرة مجوف
54 valve housing	مبيت الصمامات	8 paddle	مجداف
55 sliding valve (sliding gate)	صمام منزلق	9-12 trireme, a Roman warship	ثلاثيّة المجاديف، سفينة حربية رومانيّة
56 discharge opening	فتحة الصرف	9 ram	الرام شبه منقار قوي معد للاختراق السفن المعادية
57-64 dam (barrage)	سد (قنطرة)	10 forecattle (fo'c'sle)	السّلوقية
57 reservoir (storage reservoir, impounding reservoir, impounded reservoir)	خزان (صهريج تخزين)	11 grapple (grapnel, grappling iron), for fastening the enemy ship alongside	كلاب لتثبيت سفينة الأعداء بجوار السفينة
58 masonry dam	سدّ بناهي	12 three banks (tiers) of oars	ثلاثة طوابق من المجاديف
59 crest of dam	قمة السدّ	13-17 Viking ship (long-ship, dragon ship)	سفينة الفاكينج [الاسكندنافيةون]
60 spillway (overflow spillway)	قناة تصريف الفائض	13 helm (tiller)	مقبض دفة السفينة
61 stilling basin (stilling box, stilling pool)	خوض تهدئة	14 awning crutch with carved horses' heads	دعامة الظلة وبها رؤوس خيل منحوتة
62 scouring tunnel (outlet tunnel, waste water outlet)	نفق تنظيف/كس (مصرف الماء الفائض)	15 awning	ظلة
63 valve house (valve control house)	مبيت الصمامات	16 dragon figurehead	تمثال في مقدمة السفينة
64 power station	محطّة الطاقة	17 shield	يشكل تين
65-72 rolling dam (weir), a barrage; other system: shutterweir	سدّ دوّار (قنطرة احتجاز)	18-26 cog (Hansa cog, Hansa ship)	ترس، درع سفينة الهانسا
65 roller, a barrier	حاجز، دولفين	18 anchor cable (anchor rope, anchor hawser)	حبل/كبل المرساة
66 roller top	قمة الحاجز	19 forecattle (fo'c'sle)	السّلوقية
67 flange	شفة	20 bowsprit	الدقّل المائل
68 submersible roller	دولفين غاطس	21 ured (brailed-up)	شراع مربع ملفوف
69 rack track	ممرّ مسنّن		
70 recess	تجويف		
71 hoisting gear cabin	كابينّة معدّات الرّفّع		

square sail	راية المدينة	projecting balcony with ornamental portholes	المؤخّرة ذات نوافذ زينة
22 town banner (city banner)	راية المدينة	58 lower stern	الكؤش السفلي
23 aftercastle (sterncastle)	أعلى مؤخّرة السفينة	59 gunports for broadside fire	فتحات المدافع لإطلاق وابل من التيران
24 rudder, a stem rudder	دفة	60 gunport shutter	مغلاق فتحة المدفع
25 elliptical stern (round stern)	كؤش مستدير/اهليجي	219 Sailing Ship I	السفن الشراعية (1)
26 wooden fender	وقاء خشبي	1-72 rigging (rig, tackle) and sails of a bark (barque)	حبال الأشرعة والصواري والأشرعة لقارب البرك (قارب بثلاثة صواري)
27-43 caravel (carvel) ["Santa Maria" 1492]	سفينة شراعية سريعة [سانتا ماريّا 1492م]	1-9 masts	الصواري
27 admiral's cabin	كابينّة أمير البحر	1 bowsprit with jib boom	الدقّل المائل وذراع تطويل
28 spanker boom	ذراع تطويل شراع المؤخّرة	2-4 foremast	شراع السارية الأماميّة
29 mizzen (mizen, mutton spanker, lateen spanker), a lateen sail	شراع المزيّن	2 lower foremast	الصاري الأمامي السفلي
30 lateen yard	عارضة الشراع المثلث	3 fore topmast	الدقّل المتوسط الأمامي
31 mizzen (mizen) mast	صاري شراع المزيّن	4 fore topgallant mast	صاري الدقّل الأعلى الأمامي
32 lashing	رباط، وثاق	5-7 mainmast	الصاري الرئيسي
33 mainsail (main course), a square sail	الشراع الرئيسي	5 lower mainmast	الصاري الرئيسي السفلي
34 bonnet, a removable strip of canvas	وصلة في الشراع	6 main topmast	الدقّل الرئيسي المتوسط
35 bowline	الكربّ حبل الشراع	7 main topgallant mast	صاري الدقّل الأعلى الرئيسي
36 bunt line (martinet)	حبل مندود إلى أدنى الشراع	8 & 9 mizzen (mizen) mast	صاري المزيّن
37 main yard	العارضة الرئيسية	8 lower mizzen (lower mizen)	المزيّن السفلي
38 main topsail	الشراع الثاني الرئيسي	9 mizzen (mizen) topmast	الدقّل المتوسط المزيّني
39 main topsail yard	عارضة الشراع الثاني الرئيسي	10-19 standing rigging	حبال الأشرعة والصواري القائمة
40 mainmast	الصاري الرئيسي	10 forestay, mizzen (mizen) stay, mainstay	الحبل الممتد للشراع الرئيسي
41 foresail (fore course)	الشراع الأمامي	11 fore topmast stay, main topmast stay, mizzen (mizen) topmast stay	الحبل الممتد للدقّل المتوسط الأمامي
42 foremast	الصاري الأمامي	12 fore topgallant stay, mizzen (mizen) topgallant stay, main topgallant stay	الحبل الممتد للدقّل الأعلى الأمامي
43 spritsail	الشراع المنطور	13 fore royal stay (main royal stay)	الحبل الممتد للشراع الأمامي الصغير
44-50 galley [15th to 18th century], a slave galley	القادوس سفينة شراعية ذات مجاديف [القرن 18-15 م]، سفينة عبيد	14 jib stay	الحبل الممتد لشراع السارية الأماميّة
44 lantern	فانوس	15 bobstay	حبل تثبيت الدقّل المائل
45 cabin	كابينّة	16 shrouds	حبال الصاري
46 central gangway	ممرّ سطح السفينة المركزي	17 fore topmast rigging (main topmast rigging, mizzen (mizen) topmast rigging)	حبال الأشرعة والصواري للدقّل المتوسط الأمامي
47 slave driver with whip	سائق العبيد ويده السوط	18 fore topgallant rigging (main topgallant rigging)	حبال الأشرعة والصواري للدقّل الرئيسي الأعلى الأمامي
48 galley slaves	عبيد القادوس	19 backstays	الشكّال الخلفي
49 covered platform in the forepart of the ship	منضّعة مغطاة في الجزء الأمامي من السفينة	20-31 fore-and-aft sails	الأشرعة الأماميّة والخلفية
50 gun	مدفع	20 fore topmast staysail	الشراع المثبت للدقّل المتوسط الأمامي
51-60 ship of the line (line-of-battle ship) [18th to 19th century], a three-decker	سفينة حربية [القرن 18 إلى القرن 19]، سفينة ذات ثلاثة أسطح	21 ured (brailed-up)	شراع مربع ملفوف
51 jib boom	ذراع تطويل شراع السارية الأماميّة		
52 fore topgallant sail	شراع الدقّل الأعلى الأمامي		
53 main topgallant sail	شراع الدقّل الأعلى الرئيسي		
54 mizzen (mizen) topgallant sail	شراع الدقّل الأعلى المزيّني		
55-57 gilded stern	كؤش مزيّن بالذهب		
55 upper stern	الكؤش العلوي		
56 stern gallery	شرفة الكؤش		
57 quarter gallery, a	شرفة الجانب القريب من		

21 inner jib	شراع السارية الأمامية الداخلي
22 outer jib	شراع السارية الأمامية الخارجي
23 flying jib	شراع السارية الأمامية المرفرف
24 main topmast staysail	الشراع المثبت للدقل المتوسط الرئيسي
25 main topgallant staysail	الشراع المثبت للدقل الأعلى الرئيسي
26 main royal staysail	الشراع المثبت الرئيسي الصغير
27 mizzen (mizen) staysail	الشراع المثبت المزيّني
28 mizzen (mizen) top-mast staysail	الشراع المثبت للدقل المتوسط
29 mizzen (mizen) top-gallant staysail	الشراع المثبت المزيّني للدقل الأعلى
30 mizzen (mizen, spanker, driver)	المزيّني
31 gaff topsail	الشراع العلوي للقرية السواري
32-45 spars	عارضة الشراع الأمامية
32 foreyard	العارضة السفلية للدقل
33 lower fore topsail yard	المتوسط الأمامي
34 upper fore topsail yard	العارضة العلوية للدقل المتوسط الأمامي
35 lower fore topgallant yard	العارضة السفلية للدقل الأعلى الأمامي
36 upper fore topgallant yard	العارضة العلوية للدقل الأعلى الأمامي
37 fore royal yard	عارضة الشراع الصغير الأمامي
38 main yard	العارضة الرئيسية
39 lower main topsail yard	العارضة السفلية للدقل المتوسط الرئيسي
40 upper main topsail yard	العارضة العلوية للدقل المتوسط الرئيسي
41 lower main topgallant yard	العارضة السفلية للدقل الأعلى الرئيسي
42 upper main topgallant yard	العارضة العلوية للدقل الأعلى الرئيسي
43 main royal yard	عارضة الشراع الرئيسي الصغير
44 spanker boom	ذراع شراع المؤخرة
45 spanker gaff	قرية شراع المؤخرة
46 footrope	حبل سفلي
47 lifts	مرافع
48 spanker boom topping lift	المرافع العلوي لذراع تطويل شراع المؤخرة
49 spanker peak halyard	كردمة شراع المؤخرة
50 foretop	منصة في أعلى الصاري الأمامي
51 fore topmast crosstrees	منصات صاري الشراع العلوي الأمامي
52 maintop	المنصة الرئيسية
53 main topmast crosstrees	منصات صاري الشراع العلوي الرئيسي
54 mizzen (mizen) top	منصة المزيّني
55-66 square sails	الأشرعة المربعة

55 foresail (fore course)	الشراع الأمامي
56 lower fore topsail	الشراع العلوي الأمامي المنخفض
57 upper fore topsail	الشراع العلوي الأمامي المرتفع
58 lower fore topgallant sail	الشراع السفلي للدقل الأعلى الأمامي
59 upper fore topgallant sail	الشراع العلوي للدقل الأعلى الأمامي
60 fore royal	الشراع الأمامي الصغير
61 mainsail (main course)	الشراع الرئيسي
62 lower main topsail	الشراع الرئيسي العلوي المنخفض
63 upper main topsail	الشراع الرئيسي العلوي المرتفع
64 lower main topgallant sail	الشراع السفلي للدقل الأعلى الرئيسي
65 upper main topgallant sail	الشراع العلوي للدقل الأعلى الرئيسي
66 main royal sail	الشراع الصغير الرئيسي
67-71 running rigging	حبال الأشرعة والصواري المتحركة
67 braces	شكالات
68 sheets	ألواح
69 spanker sheet	لوح شراع المؤخرة
70 spanker vangs	حبال تثبيت القرية
71 bunt line	خط منتصف الشراع
72 reef	ثنية الشراع
220 Sailing Ship II	السفن الشراعية (2)
1-5 sail shapes	أشكال الشراع
1 gaffsail (small: trysail, spencer)	شراع القرية (الصغير)
2 jib	شراع العواصف
3 lateen sail	شراع السارية الأمامية
4 lugsail	شراع مثلث الشكل
5 spritsail	شراع رباعي الأضلاع المتوسط الرئيسي
6-8 single-masted sailing boats (Am. sailboats)	القوارب الشراعية وحيدة الصاري
6 tjalk	قارب من طراز "التجلك"
7 leeboard	لوح جانب السفينة المحجوب عن الريح
8 cutter	قارب من طراز "كاتر"
9 & 10 mizzen (mizen) masted sailing boats (Am. sailboats)	القوارب الشراعية ذات الصاري المزيّني
9 ketch-rigged sailing barge	صنّدل شراعي بشرايين
10 yawl	قارب طراز "يول"
11-17 two-masted sailing boats (Am. sailboats)	القوارب الشراعية ثنائية الصاري
11-13 topsail schooner	سكوتر الذقل المتوسط
11 mainsail	الشراع الرئيسي
12 boom foresail	الشراع الأمامي بذراع التطويل
13 square foresail	شراع أمامي مربع
14 brigantine	سفينة شراعية بصاريين طراز "بريجانتين"

15 half-rigged mast with fore-and-aft sails	قارب شراعي بصاري نصف مزود بالأشرعة وله شراع أمامي وآخر خلفي
16 full-rigged mast with square sails	صاري مزود بالأشرعة كاملة وعليه أشرعة مربعة
17 brig	سفينة شراعية بصاريين طراز "بريج"
18-27 three-masted sailing vessels (three-masters)	سفن شراعية ثلاثية الصواري
18 three-masted schooner	سكوتر ثلاثي الصواري
19 three-masted topsail schooner	سكوتر ثلاثي الصواري ذو شراع علوي
20 bark (barque) schooner	سكوتر البرك
21-23 bark (barque) [cf. illustration of rigging and sails in plate 219]	قارب البرك
21 Foremast	الصاري الأمامي
22 mainmast	الصاري الرئيسي
23 mizzen (mizen) mast	صاري المزيّني
24-27 full-rigged ship	سفينة مزودة بالأشرعة بالكامل
24 mizzen (mizen) mast	صاري المزيّني
25 crossjack yard (crojack yard)	عارضة شراع ذات عمود تدعيم تصالبي
26 crossjack (crojack)	عمود تصالبي لدعم الشراع
27 ports	فتحات السفينة
28-31 four-masted sailing ships (four-masters)	سفن شراعية رباعية الصواري
28 four-masted schooner	سكوتر رباعي الصواري
29 four-masted bark (barque)	برك رباعي الصواري
30 mizzen (mizen) mast	صاري المزيّني
31 four-masted full-rigged ship	سفينة رباعية الصواري مزودة بكامل الأشرعة
32-34 five-masted bark (barque)	برك خماسي الصواري
32 skysail	الشراع السماوي
33 middle mast	الصاري الأوسط
34 mizzen (mizen) mast	صاري المزيّني
35-37 development of sailing ships over 400 years	تطور السفن الشراعية طوال 400 عام
35 five-masted full-rigged ship "Preussen" 1902-10	سفينة خماسية الصواري مزودة بكامل الأشرعة طراز "برويسن" عام 1910-1902
36 English clipper ship "Spindrift" 1867	سفينة انجليزية طراز "سندريفت" عام 1867
37 caravel (carvel) "Santa Maria" 1492	سفينة شراعية طراز "سانتا ماريا" عام 1492
221 Types of Ship	أنواع السفن
1 ULCC (ultra-large crude carrier) of the 'all-aft' type	ناقلة نפט عملاقة من الطراز الخلفي
2 foremast	الصاري الأمامي
3 catwalk with pipes	ممر ضيق وبه أنابيب
4 fire gun (fire nozzle)	مدفع إطفاء الحريق

5 deck crane	مرفأ سلع الناقل
6 deckhouse with bridge	بيت السطح وبه منصة ريان السفينة
7 aft signal (signalling) and radar mast	صاري الإشارات الخلفي والرادار
8 funnel	مدخنة
9 nuclear research ship "Otto Hahn", a bulk carrier	سفينة أبحاث نووية طراز "أوتوهان"
10 aft superstructure (engine room)	أجزاء السفينة فوق السطح الرئيسي الخلفي (غرفة المحرك)
11 cargo hatchway for bulk goods (bulk cargoes)	فتحة إدخال الحمولة السائبة/ الضخمة
12 bridge	منصة ريان السفينة
13 forecastle (fo'c'sle)	السفينة
14 stem	مقدم السفينة (الجؤجؤ)
15 seaside pleasure boat	قارب ترفيه
16 dummy funnel	مدخنة وهمية
17 exhaust mast	صاري العادم
18 rescue cruiser	طراد إنقاذ
19 helicopter platform (working deck)	منصة هبوط الهليكوبتر
20 rescue helicopter	طائرة هليكوبتر لعمليات الإنقاذ
21 all-container ship	سفينة حاويات
22 containers stowed on deck	حاويات مرصوفة على السطح
23 cargo ship	سفينة بضائع
24-29 cargo gear (cargo-handling gear)	معدات الشحن
24 bipod mast	صاري ثنائي المنصب
25 jumbo derrick boom (heavy-lift derrick boom)	بذراع مرفأ عملاق
26 derrick boom (cargo boom)	بذراع مرفأ (بذراع حمل البضائع)
27 tackle	بكرة (أجهزة الرفع)
28 block	بكرة
29 thrust bearing	محمل دفعي
30 bow doors	أبواب الجؤجؤ
31 stern loading door	باب كؤائل السفينة لإدخال البضائع
32 offshore drilling rig supply vessel	سفينة تموين جهاز الحفر البحري
33 compact superstructure	أجزاء السفينة فوق السطح الرئيسي
34 loading deck (working deck)	سطح التحميل
35 liquefied-gas tanker	ناقلة الغاز المسيل
36 spherical tank	خزان كروي
37 navigational television receiver mast	سارية استقبال تليفزيوني
38 vent mast	سارية التهوية
39 deckhouse	بيت السطح
40 funnel	مدخنة
41 ventilator	وحدته التهوية
42 transom stern (transom)	كؤائل بعارضة أفقية
43 rudder blade (rudder)	راحة الدفة (الدفة)

44 ship's propeller (ship's screw)	رَفَاصُ السفينة	83 stem	مَقْدَمُ السفينة (الجَوْجُو)
45 bulbous bow	جَوْجُو متفخ	84 funnel with lattice casing	مدخنة ذات غلاف شبكي
46 steam trawler	ترولة بخارية	85 flag dressing (rainbow dressing, string of flags extending over masts-heads, e.g., on the maiden voyage)	حبلُ الرايات
47 lightship (light vessel)	مئارة عائمة	86 trawler, a factory ship	سفينة الترولة
48 lantern (characteristic light)	فانوس	87 gallows	هيكل قائم
49 smack	قارب السمك	88 stern ramp	ممرٌ مُحدَرٌ بالكؤنل
50 ice breaker	كسّارة الجليد	89 container ship	سفينة حاويات
51 steaming light mast	سارية الأنوار البخاريّة	90 loading bridge (loading platform)	جسر الشحن
52 helicopter hangar	حظيرة الهليكوبتر	91 sea ladder (jacob's ladder, rope ladder)	سلمٌ من الحبال ذو درجات خشبية
53 stern towing point, for gripping the bow of ships in tow	موضع قطر الكؤنل لربط مقدمة السفينة المقطورة	92 barge and push tug assembly	صندل ومجموعة القَطْر الدفعي
54 roll-on-roll-off (ro-ro) trailer ferry	معدّية قَطْر	93 push tug	قَطْر دفعي
55 stern port (stern opening) with ramp	فتحة الكؤنل وبها مجرى مائل	94 tug-pushed dumb barge (tug-pushed lighter)	صندل مقطورة بالرفع
56 heavy vehicle lifts (Am. heavy vehicle elevators)	مراصع عربات ثقيلة	95 pilot boat	زَوْجق استطلاع
57 multi-purpose freighter	سفينة شحن متعددة الأغراض	96 combined cargo and passenger liner	عبارة نقل البضائع والركاب
58 ventilator-type samson (sampson) post (ventilator-type king post)	دعامة رئيسية ذات مهوأة	97 passengers disembarking by boat	إنزال الركاب بالقارب
59 derrick boom (cargo boom, cargo gear cargo-handling gear)	ذراع الرفع (أجهزة الرفع)	98 accommodation ladder	المسلم المَدلاة
60 derrick mast	سارية ذراع الرفع	99 coaster (coasting vessel)	الساحلية، سفينة ساحلية
61 deck crane	مرّاق سفينة	100 customs or police launch	لائش الجمارك أو الشرطة
62 jumbo derrick boom (heavy-lift derrick boom)	ذراع مرّاق عملاق	101-128 excursion steamer (pleasure steamer)	سفينة رحلات ترفيهية
63 cargo hatchway	فتحة شحن/تفريغ البضائع	101-106 lifeboat launching gear	معدّات قارب الإنقاذ
64 semisubmersible drilling vessel	سفينة حفر شبه غاطسية	101 davit	الدأودي
65 floating vessel with machinery	سفينة طافية وعليها المعدّات	102 wire rope span	مسافة بين حبلين بسلكين
66 drilling platform	منصة الحفر	103 lifeline	حبل الإنقاذ
67 derrick	برج الحفر	104 tackle	بكرة
68 cattleship (cattle vessel)	سفينة نقل الماشية	105 block	بكرة
69 superstructure for transporting livestock	أجزاء سطح السفينة المخصصة لنقل الماشية	106 fall	حبل الرفع
70 fresh water tanks	خزانات ماء الشرب	107 ship's lifeboat (ship's boat) covered with tarpaulin	قارب النجاة بالسفينة مغلف بقماش التربولين
71 fuel tank	خزان الوقود	108 stem	مقدم السفينة (الجَوْجُو)
72 dung tank	خزان الروث	109 passenger	راكب
73 fodder tanks	خزانات العلف	110 steward	مضيف
74 train ferry [cross section]	معدّية قطارية	111 deck-chair	كرسي سطح السفينة
75 funnel	[قطاع عرضي]	112 deck hand	عامل تنظيف سطح السفينة
76 exhaust pipes	مدخنة	113 deck bucket	دلو تنظيف سطح السفينة
77 mast	أنايب العادم	114 boatswain (bo's'n, bo'sun, bosun)	عريف الملاحين
78 ship's lifeboat hanging at the davit	سارية	115 tunic	سترة ضيقة
79 car deck	قارب نجاة معلق بالدأودي	116 awning	ظلّة، ندفة
80 main deck (train deck)	سطح السيارات	117 stanchion	دعامة قائمة
81 main engines	السطح الرئيسي	118 ridge rope (jackstay)	قضيب تشد إليه الظلّة
82 passenger liner (liner, ocean liner)	المحركات الرئيسية		
	عبارة نقل الركاب		

119 lashing	رباط، وثاق	24 crane rails (crane track)	قضبان انزلاق المرّاق
120 bulwark	جانب السفينة الممتد فوق سطحها العلوي	25 gantry crane	مرّاق قنطري
121 guard rail	قضيب واق	26 gantry (bridge)	قنطرة
122 handrail (top rail)	درابزين	27 trestles (supports)	مساند، حوامل
123 companion ladder (companionway)	درج	28 crab (jenny)	كبّاش المرّاق (عربة مرر فاع نقالية)
124 lifebelt (lifebuoy)	طوق النجاة	29 hull frames in position	هيكل بدن السفينة بعد تركيبها
125 lifebuoy light (lifebelt light, signal light)	لعبة طوق النجاة	30 ship under construction	سفينة تحت الإنشاء
126 officer of the watch (watchkeeper)	ضابط المناوبة	31-33 dry dock	حوض الإنشاء، حوض جاف
127 reefer (Am. pea jacket)	سترة ضيقة من قماش سميك	31 dock floor (dock bottom)	أرضية الحوض
128 binoculars	نظارة مكبرة، ناظور	32 dock gates (caisson)	بوابة الحوض (قيسون)
		33 pumping station (power house)	محطة الضخ (محطة الطاقة)
		34-43 floating dock (pontoon dock)	رصيف عائّم
		34 dock crane (dockside cranc), a jib crane	مرّاق الرصيف، مرّاق ذراعي
		35 fender pile	خازوق مصدّ
		36-43 working of docks	تشغيل الرصيف
		36 dock basin	حوض الرصيف
		37 & 38 dock structure	هيكل الرصيف
		37 side tank (side wall)	صهريج جانبي (جدار جانبي)
		38 bottom tank (bottom pontoon)	صهريج سفلي (طوّف سفلي)
		39 keel block	كتلة صالِب القاعدة
		40 bilge block (bilge shore, side support)	كتلة الجَمّة
		41-43 docking a ship	سحب السفينة إلى الرصيف
		41 flooded floating dock	حوض عائّم مغمور
		42 tug towing the ship	سفينة قَطْر تسحب السفينة
		43 emptied (pumped-out) dock	رصيف مفرّغ
		44-61 structural parts of the ship	الأجزاء الهيكلية للسفينة
		44-56 longitudinal structure	الهيكل الطولي
		44-49 shell (shell plating, skin)	القشرة
		44 sheer strake	لوح طولي عمودي
		45 side strake	لوح طولي جانبي
		46 bilge strake	لوح طولي لجمّة السفينة
		47 bilge keel	رافدة الجَمّة في السفينة
		48 bottom plating	ألواح القاع
		49 flat plate keel (keel plate)	لوح الصالِب
		50 stringer (side stringer)	ضلع طولاني، عارضة
		51 tank margin plate	لوح حافة الخزّان
		52 longitudinal side girder	عارضة طولية جانبية
		53 centre (Am. center)	عارضة لُوحية مركزية
		plate girder (centre girder, kelson, keelson, vertical keel)	
		54 tank top plating (tank	ألواح قمة الخزّان

top, inner bottom plating)	rotatable loop antenna, aural null loop antenna)
55 centre (<i>Am. center</i>) strake	6 magnetic compass (mariner's compass)
56 deck plating	7 morse lamp (signalling, <i>Am. signaling, lamp</i>)
57 deck beam	8 radar antenna (radar scanner)
58 frame (rib)	9 code flag signal
59 floor plate	10 code flag halyards
60 cellular double bottom	11 triatic stay (signal stay)
61 hold pillar (pillar)	12-18 bridge deck (bridge)
62 & 63 dunnage	12 radio room
64 side battens (side ceiling, spar ceiling)	13 captain's cabin
63 ceiling (floor ceiling)	14 navigating bridge
64, 65 hatchway	15 starboard sidelight [green; port sidelight red]
64 hatch coaming	16 wing of bridge
65 hatch cover (hatch-board)	17 shelter (weather cloth, dodger)
66-72 stern	18 wheelhouse
66 guard rail	19-21 boat deck
67 bulwark	19 ship's lifeboat
68 rudder stock	20 davit
69, 70 Oertz rudder	21 officer's cabin
69 rudder blade (rudder)	22-27 promenade deck
70 & 71 stern frame	22 sun deck (lido deck)
70 rudder post	23 swimming pool
71 propeller post (screw post)	24 companion ladder (companionway)
72 ship's propeller (ship's screw)	25 library (ship's library)
73 draught (draft) marks	26 lounge
74-79 bow	27 promenade
74 stem, a bulbous stem (bulbous bow)	28-30 A-deck
75 hawse	28 semi-enclosed deck space
76 hawse pipe	29 double-berth cabin, a cabin
77 anchor cable (chain cable)	30 de luxe cabin
78 stockless anchor (patent anchor)	31 ensign staff
79 stocked anchor	32-47 B-deck (main deck)
223 Motor Ship	32 after deck
1-71 combined cargo and passenger ship [of the older type]	33 poop
1 funnel	34 deckhouse
2 funnel marking	35 samson (sampson) post (king post)
3 siren (fog horn)	36 derrick boom (cargo boom)
4-11 compass platform (compass bridge, compass flat, monkey bridge)	37 crosstrees (spreader)
4 antenna lead-in (antenna down-lead)	38 crow's nest
5 radio direction finder (RDF) antenna (direction finder antenna,	39 topmast
	40 forward steaming light
	41 ventilator lead
	42 galley (caboose, cook-room, ship's kitchen)

لوح طولي مركزي

الأواح السطح

كمرات السطح

ضلع

لوح أرضية

قاع مصلع خلوي مزدوج

عمود حامل

حشوة وقائية من الثلث

لرژ جانبية

سقف الأرضية

فتحة السفينة

حطار الفتحة

غطاء الفتحة

الكؤل

قضيب دليبي

كف السفينة العلوي

عاقد الذفة

ذفة "أورس"

راحة الذفة

هيكل ذفة

عمود الذفة

عمود الرفاص

رفاص السفينة

علامات الغاطس

الجؤجؤ مقدم السفينة

جؤجؤ

فتحة القلّس

ماسورة القلّس

كيبال المرّسة

مرّسة مسطحة

(بدون عارضة)

مرّسة بكفة/ بعارضة

السفن البخارية

سفينة نقل البضائع

والركاب [من الطراز

الأقدم]

مبخنة

دليل المبخنة

سارينة (بوق التحذير في

حالة الضباب)

جسر البؤصلة

سلك الهوائي الهابط

هوائي مُحدّد الاتجاه

اللاسلكي

43 ship's pantry	مُخزّن مؤن السفينة	3 index bar (index arm)	قضيب دليبي
44 dining room	قاعة الطعام	4 decimal micrometer	ميكرومتر عشري
45 purser's office	مكتب مسئول السفينة	5 vernier	زرنية
46 single-berth cabin	كابينية بسريور مفرد	6 index mirror	مرآة دليبية
47 foredeck	السطح الأمامي (سطح مقدّم السفينة)	7 horizon glass (horizon mirror)	مرآة الأفق
48 forecandle (fo'c'sle)	السلوقية عبر أمامي للبحارة	8 telescope	تليسكوب
49-51 ground tackle	المكارة الأرضية	9 grip (handgrip)	قبضة، مقبض
49 windlass	مرفأع المرّسة	10-13 radar equipment (radar apparatus)	معدات الرادار
50 anchor cable (chain cable)	كيبال المرّسة	10 radar pedestal	قاعدة الرادار
51 compressor (chain compressor)	ضاغط (ضاغط لسلسلي)	11 revolving radar reflector	عاكس راداري دوار
52 anchor	مرّسة	12 radar display unit (radar screen)	شاشة الرادار (وحدة عرض رادارية)
53 jackstaff	سارية العلم	13 radar image (radar picture)	صورة رادارية
54 jack	علم، راية	14-38 wheelhouse	حجرة مدير الذفة
55 after holds	العنابر/ الأبنّار الخلفية	14 steering and control position	موقع التوجيه والتحكم
56 cold storage room (insulated hold)	عبر التخزين البارد (عبر معزول حراري)	15 ship's wheel for controlling the rudder mechanism	عجلة التحكم في آلية الذفة
57 store room	حجرة تخزين (مخزن)	16 helmsman (<i>Am. wheelsman</i>)	موجه الذفة
58 wake	أثر المخرّ	17 rudder angle indicator	مبين زاوية الذفة
59 shell bossing (shaft bossing)	صنرة عمود التدوير	18 automatic pilot (autopilot)	المرّشد الملاحي الآلي
60 tail shaft (tail end shaft)	عمود تدوير خلفي	19 control lever for the variable-pitch propeller (reversible propeller, feathering propeller, feathering screw)	ذراع التحكم في رفاص الخطوة المتبادلة
61 shaft strut (strut, spectacle frame, propeller strut, propeller bracket)	كثيفة العمود (كثيفة الرفاص)	20 propeller pitch indicator	مبين خطوة الرفاص
62 three-blade ship's propeller (ship's screw)	رفاص ذو ثلاث أرياش	21 main engine revolution indicator	مؤشر دورات المحرك الرئيسي
63 rudder blade (rudder)	كفة الذفة	22 ship's speedometer (log)	عداد سرعة السفينة
64 stuffing box	مسيكة، صندوق حشو	23 control switch for bow thruster (bow-manoeuvring, <i>Am. maneuvering, propeller</i>)	مفتاح التحكم الخاص برفاص الجؤجؤ
65 propeller shaft	عمود الرفاص	24 echo recorder (depth recorder, echograph)	مسجل العمق الصوتي
66 shaft alley (shaft tunnel)	نفق عمود التدوير	25 engine telegraph (engine order telegraph)	مُبرّقة، تلغراف
67 thrust block	مجموعة/ كتلة الدفع	26 controls for the anti-rolling system (for the stabilizers)	مضابط نظام مقاومة التمايل
68-74 diesel-electric drive	دفع ديزل-كهربائي	27 local-battery telephone	هاتف بطارية محلية
68 electric engine room	حجرة المُحرّك الكهربائي	28 shipping traffic radio telephone	هاتف لاسلكي لحركة الشحن
69 electric motor	مُحرّك كهربائي	29 navigation light indicator panel (running light indicator panel)	لوحة مؤشرات لمبات الملاحة
70 auxiliary engine room	حجرة المحركات الإضافية	30 microphone for ship's address system	ميكروفون السفينة
71 auxiliary engines	مُحرّكات إضافية	31 gyro compass (gyroscopic compass), a compass repeater	بؤصلة جيروسكوبية
72 main engine room	حجرة المُحرّك الرئيسي		
73 main engine, a diesel engine	المُحرّك الرئيسي، محرك ديزل		
74 generator	مولّد كهربائي		
75 forward holds	العنابر/ الأبنّار الأمامية		
76 tween deck	سطح بيني		
77 cargo	بضائع		
78 ballast tank (deep tank) for water ballast	خزان المايورة المائية		
79 fresh water tank	خزان ماء الشرب		
80 fuel tank	خزان الوقود		
81 bow wave	موجة الجؤجؤ		
224 Navigation	الملاحة		
1 sextant	سدسية		
2 graduated arc	قوس مدرّج		

32 control button for the ship's siren (ship's fog horn)	زَرْ تشغيل سارينة السفينة	impulse)
33 main engine overload indicator	مؤشّر الحمل الزائد على المحرّك الرئيسي	63 echo (sound echo, echo signal)
34 Decca position-finder (Decca Navigator)	مُحدّد المواقع بطريقة "ديكا"	64 echo receiver (hydrophone)
35 rough focusing indicator	مؤشّر التحديد البؤري التقريبي	65 echograph (echo sounding machine recorder)
36 fine focusing indicator	مؤشّر التحديد البؤري الدقيق	66 depth scale
37 navigating officer	ضابط ملاح	67 echogram (depth recording, depth reading)
38 captain	رَبَّانُ السفينة	68-108 sea marks (floating navigational marks) for buoyage and lighting systems
39 Decca navigation system	نظام الملاحة "ديكا"	علامات البحرية للملاقيات وأنظمة الإنارة
40 master station	المحطّة الرئيسية	68-83 fairway marks (channel marks)
41 slave station	محطّة تابعة	علامات المجرى المائي
42 null hyperbola	قطع زائد صفريّ	68 light and whistle buoy
43 hyperbolic position line 1	الخط 1 لموضع القطع الزائد	طافية/شمنذورة مزودة بضوء وصافرة
44 hyperbolic position line 2	الخط 2 لموضع القطع الزائد	69 light (warning light)
45 position (fix, ship fix)	مَوْضِع السفينة	70 whistle
46-53 compasses	الموصلات	71 buoy
46 liquid compass (fluid compass, spirit compass, wet compass), a magnetic compass	بوصلة بوضلة سائلة، بوصلة مغناطيسية	72 mooring chain
47 compass card	قُرْصُ البُوصَلَة	73 sinker (mooring sinker)
48 lubber's line (lubber's mark, lubber's point)	خَطُّ البُوصَلَة البحرية	74 light and bell buoy
49 compass bowl	تحويف البُوصَلَة	75 bell
50 gimbal ring	حلقة تثبيّت البُوصَلَة في وضع أفقي	76 conical buoy
51-53 gyro compass (gyroscopic compass, gyro compass unit)	بُوصَلَة جيروسكوبية	77 can buoy
51 master compass (master gyro compass)	بُوصَلَة رئيسية	78 topmark
52 compass repeater (gyro repeater)	معيد البُوصَلَة (للتقوية)	79 spar buoy
53 compass repeater with pelorus	معيد البُوصَلَة مع عضادة انعكاسية	80 topmark buoy
54 patent log (screw log, mechanical log, towing log, taffrail log, speedometer)	مقياس سرعة السفينة	81 lightship (light vessel)
55 rotator	دَوّار	82 lantern mast (lantern tower)
56 governor	ضابط (سرعة) اوتوماتي	83 beam of light
57 log clock	ساعة مقياس السرعة	84-102 fairway markings (channel markings)
58-67 leads	أثقال الفانن	84 wreck [green buoys]
58 hand lead	فادن (تقلّ رصاصي) يدوي	85 wreck to starboard
59 lead (lead sinker)	فادن غاطس	86 wreck to port
60 headline	خَبَلُ الفانن	87 shoals (shallows, shallow water, Am. flats)
61-67 echo sounder (echo sounding machine)	مستبّار بالصدى	88 middle ground to port
61 sound transmitter	مُرْسِل الصوت	89 division (bifurcation) [beginning of the middle ground; top-mark: red cylinder above red ball]
62 sound wave (sound)	مَوْجَة صوتية	90 convergence (confluence) (end of the middle ground; top-mark: red St. Antony's cross above red ball)]

93 secondary fairway (secondary navigable channel)	مَجْرَى مائي ثانوي	11 harbour (Am. harbor)
94 can buoy	طافية ضخمة مخروطية الشكل	مُعَدّيّة المرفأ
95 port hand buoys (port hand marks) [red]	طافيات يدوية إلى يسار السفينة [أحمر]	12 fender (dolphin)
96 starboard hand buoys (starboard hand marks) [black]	طافيات يدوية إلى اليمين السفينة [أسود]	حاجز اصطدام
97 shoals (shallows, shallow water, Am. flats) outside the fairway	مياه ضحلة خارج المجرى المائي	13 bunkering boat
98 middle of the fairway (mid-channel)	منتصف المجرى المائي	قارب تزويد السفن بالوقود
99 starboard markers [inverted broom]	علامات اليمينّة	14 break-bulk carrier (general cargo ship)
100 port markers [upward-pointing broom]	علامات الجانب الأيسر	حاملة بضائع عامة الأغراض
101 & 102 range lights (leading lights)	أضواء إرشادية	15 tug
101 lower range light (lower leading light)	أضواء إرشادية سفلية	سفينة قتل
102 higher range light (higher leading light)	أضواء إرشادية أكثر ارتفاعاً	16 floating dock (pontoon dock)
103 lighthouse	فنار، منارة	حَوْض سفن عائِم
104 radar antenna (radar scanner)	هوائي رادار (ماسح راداري)	17 dry dock
105 lantern (characteristic light)	فانوس	حَوْض سفن جاف
106 radio direction finder (RDF) antenna	هوائي مُحدّد الاتجاه اللاسلكي	18 coal wharf
107 machinery and observation platform (machinery and observation deck)	مبنيّة الآلات والملاحظة	رصيف الفحم
108 living quarters	وَحَدَات معيشة	19 coal bunker
225 Docks, Port, Harbour (Am. Harbor) (I)	أحواض السُفن والميناء والمرافأ (1)	20 transporter loading bridge
1 dock area	منطقة حَوْض السفن	جِسْر تحميل نقال
2 free port (foreign trade zone)	ميناء حرة	21 quayside railway
3 free zone frontier (free zone enclosure)	حدّ المنطقة الحرة	سكة حديدية بجانب الرصيف
4 customs barrier	حاجز المنطقة الجمركية	22 weighing bunker
5 customs entrance	مدخل المنطقة الجمركية	مُخزّن الوزن
6 port custom house	مبنى جمارك الميناء	23 warehouse
7 entrepôt	مستودع بضائع، مخزن صندل	مستودع
8 barge (dumb barge, lighter)	عَبْر ترانزيت عام للبضائع	24 quayside crane
9 break-bulk cargo transit shed (general cargo transit shed, package cargo transit shed)	عَبْر ترانزيت عام للبضائع	لانش وصندل تقريخ / شحن
10 floating crane	مرفأ عائِم	الحصول من الشاطئ للسفينة
		26 port hospital
		مستشفى الميناء
		27 quarantine wing
		جَنّاح الحَجْر الصحي
		28 Institute of Tropical Medicine
		معهد الطب المداري
		29 excursion steamer (pleasure steamer)
		سفينة رحلات ترفيهية
		30 jetty
		رصيف يمتد داخل البحر
		31 passenger terminal
		محطّة الرُكّاب
		32 liner (passenger liner, ocean liner)
		عَبْرَة رُكّاب
		33 meteorological office, a weather station
		محطّة الأرصاد الجوية
		34 signal mast (signalling mast)
		صاري الإشارات
		35 storm signal
		إشارة هبوب عاصفة
		36 port administration offices
		المكاتب الإدارية بالميناء
		37 tide level indicator
		مؤشّر مستوى المدّ
		38 quayside road (quayside roadway)
		طريق جانب الرصيف
		39 roll-on roll-off (ro-ro) system (roll-on roll-off operation)
		نظام شحن وتقريخ
		40 gantry
		قَنْطَرَة
		41 truck-to-truck system (truck-to-truck operation)
		نظام النقل من شاحنة إلى شاحنة
		42 foil-wrapped unit loads
		وَحَدَات أَحْمَال مُغَطّاة بطبقة معدنية رقيقة
		43 pallets
		مِنصّات نقالة
		44 forklift truck (fork truck, forklift)
		شاحنة بمرفأ شوكي
		45 container ship
		سفينة حاويات
		46 transporter container-loading bridge
		جِسْر نقال لتحميل الحاويات
		47 container carrier truck
		شاحنة نقل الحاويات
		48 container terminal (container berth)
		رصيف الحاويات

49 unit load	وَحْدَةُ الصَّلْ	cargo	بُرْأْدَة	53 crane framework	هَيْكَل المَرْفَاق	30 main manoeuvring (<i>Am.</i>)	صَابِلِ القَاعَة الرِّيسِي	
50 cold store	بُرْأْدَة	12 heat sealing machine	سَيْر ناقل	54 winch house	مَبْنَى الوَرش	manoeuvring) keel	لِلْمَاوَرَة	
51 conveyor belt (conveyor)	عَبْرَتَر تَخزِين الفَاكِهَة	13 break-bulk carrier (general cargo ship)	مَبْنَى المَكَاتِب	55 control platform	مَبْنَى التَّحْكَم		إِنقَاد الحَيَاة	
52 fruit storage shed (fruit warehouse)	عَبْرَتَر تَخزِين الفَاكِهَة	14 cargo hatchway	طَرِيق العَرَبَات	56 turntable	صَبِينَة دَوَارَة	1 rocket apparatus (rocket gun, line-throwing gun)	جِهَاز صَارَوْخِي (مِدْفَع رَمِي الحَبْل)	
53 office building	مَبْنَى المَكَاتِب	15 receiving truck on board ship	مَبْنَى العَرَبَات	57 pontoon, a pram	طَوْف	2 life rocket (rocket)	صَارَوْخ حَبْل الإِنقَاد	
54 urban motorway (<i>Am.</i> freeway)	طَرِيق العَرَبَات	16 multi-purpose terminal	مَبْنَى العَرَبَات	58 engine superstructure (engine mounting)	حَامِل المَحْرَك	3 rocket line (whip line)	حَبْل الصَارَوْخ	
55 harbour (<i>Am.</i> harbor) tunnels	أَنْقَاد المَرْفَا	17 roll-on roll-off ship (ro-ro-ship)	أَنْقَاد المَرْفَا			4 oilskins	مَلَابِس مَن قَمَاش مَشْعَم مَتِين	
56 fish dock	رَصِيف الأَسْمَاك	18 stern port (stern opening)	رَصِيف الأَسْمَاك	227 Salvage (Salving) and Towing	إِنقَاد وَقَطْر السُّفُن	5 sou'wester (southwester)	قَبِيعَة مَن المَشْعَم لَهَا حَا فَة خَلْفِيَة عَرَبِيضَة	
57 fish market	سُوق الأَسْمَاك	19 driven load, a lorry (<i>Am.</i> truck)	صَالَة المَرَاد	1 salvaging (salving) of a ship run aground	إِنقَاد صَبِينَة ارْتَلَمَت بِالْأَرْض	6 oilskin jacket	سُئْرَة مَن قَمَاش مَشْعَم مَتِين	
58 auction room	صَالَة المَرَاد	20 ro-ro depot	مَصْنَع تَعْلِيب الأَسْمَاك	2 ship run aground (damaged vessel)	سَرِيع الأَنْهَابِر	7 oilskin coat	مَعْظَم مَن قَمَاش مَشْعَم مَتِين	
59 fish-canning factory	مَصْنَع تَعْلِيب الأَسْمَاك	21 unitized load (unitized package)	قَطْر دَفْعِي	3 sandbank; <i>also:</i> quicksand	بَحْر مَفْتُوح		8 inflatable life jacket	سُئْرَة نَجَاة نَفَاخِيَة
60 push tow	مَرْكَز تَجْمِيع الخَزَانَات	22 banana-handling terminal [section]	مَرْكَز تَجْمِيع الخَزَانَات	4 open sea	سَفِينَة القَطْر		9 cork life jacket (cork life preserver)	سُئْرَة نَجَاة فَلِينِيَة
61 tank farm	مَرْكَز تَجْمِيع الخَزَانَات	23 seaward tumbler	خَط سَكَة حَدِيدِيَة جَانِبِي	5 tug (salvage tug)	مُعْدَات القَطْر		10 stranded ship (damaged vessel)	سَفِينَة جَانِجَة
62 railway siding	خَط سَكَة حَدِيدِيَة جَانِبِي	24 jib	رَصِيف النُّزُول إِلَى البَرِّ	6-15 towing gear	مُعْدَات القَطْر فِي البَحْر		11 oil bag, for trickling oil on the water surface	كَبِيس زَيْت لِتَنْقِيط زَيْت فَوْق سَطْح المَاء
63 landing pontoon (landing stage)	رَصِيف النُّزُول إِلَى البَرِّ	25 elevator bridge	رَصِيف المِيَاء	6 towing gear for towing at sea	وَشَس القَطْر		12 lifeline	حَبْل الإِنقَاد
64 quay	رَصِيف المِيَاء	26 chain sling	مَلْطَم، حَاجِز أمْوَاج	7 towing winch (towing machine, towing engine)	وَشَس القَطْر		13 breeches buoy	طَاقِيَة، عَوَامَة
65 breakwater (mole)	مَلْطَم، حَاجِز أمْوَاج	27 lighting station	رَصِيف مَمْتَد دَاخِل البَحْر	8 tow rope (tow line, towing hawser)	دَلِيل حَبْل القَطْر		14 rescue cruiser	طَرَاد الإِنقَاد
66 pier (jetty), a quay extension	رَصِيف مَمْتَد دَاخِل البَحْر	28 shore-side tumbler for loading trains and lorries (<i>Am.</i> trucks)	حَامِلَة شَحْنَات ضَخْمَة	9 tow rope guide	دَلِيل حَبْل القَطْر		15 helicopter landing deck	سَطْح هَبُوط الهِيلِيكُوبْتَر
67 bulk carrier	حَامِلَة شَحْنَات ضَخْمَة	29 bulk cargo handling	صُوْمَعَة	10 cross-shaped bollard	عَمُود رِبَط جِيَال مَتَصَالِب		16 rescue helicopter	طَائِرَة هَبُوط كُوبْتَر لِمَعَالِيَات الإِنقَاد
68 silo	أَسْطُوَانَة الصُّومَعَة	30 bulk carrier	صُوْمَعَة	11 hawse hole	فَتْحَة القَلَس فِي مَقْدَم السَفِينَة		17 daughter boat	قَارِب الطَّرَاد
69 silo cylinder	أَسْطُوَانَة الصُّومَعَة	31 floating bulk-cargo elevator	صُوْمَعَة	12 anchor cable (chain cable)	كَبِيل مِرْسَاة		18 inflatable boat (inflatable dinghy)	قَارِب نَفَاخِي
70 lift bridge	جِسْر رَفْعِي	32 suction pipes	أَسْطُوَانَة الصُّومَعَة	13 towing gear for work in harbours (<i>Am.</i> harbors)	مُعْدَات القَطْر لِمَعْمَل فِي المَرْفَا		19 life raft	طَوْف النَجَاة
71 industrial plant	وَحْدَة صَنَاعِيَة	33 receiver	جِسْر رَفْعِي	14 guest rope	حَبْل نُزِيل		20 fire-fighting equipment for fires at sea	مُعْدَات مَكَا فَحَة الحَرِيق فِي حَرَائِق البَحْر
72 storage tanks	وَحْدَة صَنَاعِيَة	34 delivery pipe	وَحْدَة صَنَاعِيَة	15 position of the tow rope (tow line, towing hawser)	مَوْضِع حَبْل القَطْر		21 hospital unit with operating cabin and exposure bath	وَحْدَة مَسْتَشْفَى لِطَوَارِيءٍ بَهَا غَرَفَة عَمَلِيَات
73 tanker	نَاقِلَة نَفْط	35 bulk transporter barge	نَاقِلَة نَفْط	16 tug (salvage tug) [vertical elevation]	مَوْضِع حَبْل القَطْر		22 navigating bridge	جِسْر المَلَا حَة
226 Docks, Port, Harbour (<i>Am.</i> Harbor) (II)	أَحْوَاض السُّفُن والمِيْنَاء والمَرْفَا (2)	36 floating pile driver	أَحْوَاض السُّفُن والمِيْنَاء والمَرْفَا (2)	17 bow fender (pudding fender)	مَوْضِع حَبْل القَطْر		23 upper tier of navigating bridge	الطَابِق العُلْوِي لِجِسْر المَلَا حَة
1 container terminal (container berth), a modern cargo-handling berth	رَصِيف الحَاوِيَات	37 pile driver frame	رَصِيف الحَاوِيَات	18 forepeak	مُضِد الجُؤْجُو		24 lower tier of navigating bridge	الطَابِق السُّفْلِي لِجِسْر المَلَا حَة
2 transporter container-loading bridge (loading bridge); <i>sim.</i>	جِسْر نَقَال لِتَحْمِيل الحَاوِيَات	38 pile hammer	جِسْر نَقَال لِتَحْمِيل الحَاوِيَات	19 living quarters	مَخْزَن الجُؤْجُو		25 messroom	مِيسِي، غَرَفَة الطَعَام
3 transtainer crane (transtainer)	جِسْر نَقَال لِتَحْمِيل الحَاوِيَات	39 driving guide rail	جِسْر نَقَال لِتَحْمِيل الحَاوِيَات	20 Schottel propeller	وَحْدَات مَعِيشَة		26 rudders and propeller (screw)	الدَّفْعَة وَالرَّفَاصُ
4 container	حَاوِيَة	40 pile	حَاوِيَة	21 Kort vent	رَفَاص "شُوتل"		27 stowage	مَخْزَن
5 truck (carrier)	عَرَبَة شَحْن	41 bucket dredger, a dredger	عَرَبَة شَحْن	22 engine and propeller room	مَغْفَس "كُورْت"		28 foam can	عَلْبَة الرِّغْوَة
6 all-container ship	سَفِينَة الحَاوِيَات	42 bucket chain	سَفِينَة الحَاوِيَات	23 clutch coupling	غَرَفَة المَحْرَك وَالرَّفَاصُ		29 side engines	مَحْرَكَات جَانِبِيَة
7 containers stowed on deck	حَاوِيَات مَتْرَاصَة عَلَى السَطْح	43 bucket ladder	حَاوِيَات مَتْرَاصَة عَلَى السَطْح	24 compass platform (compass bridge, compass flat, monkey bridge)	تَقَارَن بِقَابِض مَبْنَى البُؤْسَلَة		30 shower	دُش
8 truck-to-truck handling (horizontal cargo handling with pallets)	مُتَارَة مَن شَا حَة إِلَى شَا حَة	44 dredger bucket	مُتَارَة مَن شَا حَة إِلَى شَا حَة	25 fire-fighting equipment	مُعْدَات مَكَا فَحَة الحَرِيق		31 coxswain's cabin	كَابِينَة مَوْجَة الدَّفْعَة
9 forklift truck (fork truck, forklift)	شَا حَة ذَات رَافِعَة شُوكِيَة	45 chute	شَا حَة ذَات رَافِعَة شُوكِيَة	26 stowage	مَخْزَن		32 crew member's single-berth cabin	كَابِينَة بِسَرِير مَفْرَد لِأَحَد
10 unitized foil-wrapped load (unit load)	وَحْدَة أَحْمَال مَغْلَقَة وَمَجْمَعَة	46 hopper barge	وَحْدَة أَحْمَال مَغْلَقَة وَمَجْمَعَة	27 tow hook	خَطَاف القَطْر		33 bow propeller	أَفْرَاد الطَاقِم رَفَاص الجُؤْجُو
11 flat pallet, a standard pallet	مَبْنَى نَقَالَة مَسْطَحَة	47 spoil	مَبْنَى نَقَالَة مَسْطَحَة	28 afterpeak	مَخْزَن المَوْخِرَة			
12 unitized break-bulk	شَحْنَة عَامَة مَجْمَعَة مَوْحَدَة	48 floating crane	شَحْنَة عَامَة مَجْمَعَة مَوْحَدَة	29 stern fender	مُضِد الكُؤْل			
		49 jib (boom)						
		50 counterweight (counterpoise)						
		51 adjusting spindle						
		52 crane driver's cabin (crane driver's cage)						

2 span (wing span)	مسافة امتداد الجناحين
3 shoulder-wing monoplane (shoulder-wing plane)	طائرة أحادية السطح كعقبة الجناحين
4 midwing monoplane (midwing plane)	طائرة أحادية السطح متوسطة الجناحين
5 low-wing monoplane (low-wing plane)	طائرة أحادية السطح منخفضة الجناحين
6 triplane	طائرة ثلاثية الأسطح
7 upper wing	الجناح العلوي
8 middle wing (central wing)	الجناح المتوسط/المركزي
9 lower wing	الجناح السفلي
10 biplane	طائرة ثنائية الأسطح
11 strut	شكّال انضغاطي
12 cross bracing wires	أسلاك كتيف متصالية
13 sesquiplane	طائرة أحادية نصفية
14 low-wing monoplane (low-wing plane) with cranked wings (inverted gull wings)	طائرة أحادية السطح منخفضة الجناحين ذات جناحين بمرفقين (inverted gull wings)
15-22 wing shapes	أشكال الجناح
15 elliptical wing	جناح اهليلجي
16 rectangular wing	جناح مستطيل
17 tapered wing	جناح مستدق الطرف
18 crescent wing	جناح هلالِي
19 delta wing	جناح مثلثي (دلتا)
20 swept-back wing with semi-positive sweep-back	جناح بزواوية امتداد تراجعِي شبه موجب
21 swept-back wing with positive sweepback	جناح بزواوية امتداد تراجعِي موجب
22 ogival wing (ogee wing)	جناح بضلغ قوسي منحرف
23-36 tail shapes (tail unit shapes, empennage shapes)	أشكال الذيل (أشكال وحدات الذيل)
23 normal tail (normal tail unit)	ذيل عمادي
24 & 25 vertical tail (vertical stabilizer and rudder)	ذيل رأسي
24 vertical stabilizer (vertical fin, tail fin)	زَعْفَة مَوَازِنَة رأسيّة
25 rudder	دَفَة الطائرة
26 & 27 horizontal tail	الذيل الأفقي
26 tailplane (horizontal stabilizer)	زَعْفَة مَوَازِنَة أفقيّة
27 elevator	سطح رافع، سكان الارتفاع
28 cruciform tail (cruciform tail unit)	ذيل صليبي الشكل
29 T-tail (T-tail unit)	ذيل تائي الشكل
30 lobe	نتوء مستدير
31 V-tail (vee-tail, butterfly tail)	ذيل فراشة (على شكل حرف V)
32 double tail unit (twin tail unit)	وحدة ذيل مزدوج
33 end plate	لوحة طرفيّة
34 double tail unit (twin tail unit)	وحدة ذيل مزدوج لطائرة

tail unit) of a twin-boom aircraft	ذات رافدين
35 raised horizontal tail with double booms	وحدة ذيل أفقي مرفوع ذو رافدين
36 triple tail unit	وحدة ذيل ثلاثي
37 system of flaps	نظام الغلايات
38 extensible slat	شريحة/دفة قابلة للامتداد
39 spoiler	جهاز تعطيل (أو تخفيف) الرفع
40 double-slotted Fowler flap	قلاب فاوولر ذو شقين
41 outer aileron (low-speed aileron)	جناح خارجي
42 inner spoiler (landing flap, lift dump)	جهاز تعطيل (أو تخفيف) الرفع الداخلي
43 inner aileron (all-speed aileron)	جناح داخلي
44 brake flap (air brake)	قلاية الكبح
45 basic profile	منظر جانبي أساسي
46-48 plain flaps (simple flaps)	قلايات بسيطة/ مستوية
46 normal flap	قلاية عادية
47 slotted flap	قلاية مشقوبة
48 double-slotted flap	قلاية ذات شقين
49 & 50 split flaps	قلايتان مجزأتان
49 plain split flap (simple split flap)	قلاية مجزأة مستوية
50 zap flap	قلاية "زاب"
51 extending flap	قلاية امتدادية
52 Fowler flap	قلاية "فاوولر"
53 slat	شريحة، قبة، رقيقة
54 profiled leading-edge flap (droop flap)	قلاية متدلية
55 Krüger flap	قلاية "كروجر"

230 Aircraft II

1-31 cockpit of a single-engine (single-engine) racing and passenger aircraft (racing and passenger plane)	الطائرة (2) كابينة الطاقم لطائرة أحادية المحرك لنقل الركاب والمسابقات
1 instrument panel	لوحة أجهزة القياس
2 air-speed (<i>Am.</i> air-speed) indicator	مبين سرعة الهواء
3 artificial horizon (gyro horizon)	مبين الأفق الاصطناعي
4 altimeter	مقياس الارتفاع، التيمتر
5 radio compass (automatic direction finder)	بوصلة لاسلكية (محدد اتجاه أوتوماتي)
6 magnetic compass	بوصلة مغناطيسية
7 boost gauge (<i>Am.</i> gage)	مقياس الضغط المعزز
8 tachometer (rev counter, revolution counter)	تاكومتر (عداد الدورات)
9 cylinder temperature gauge (<i>Am.</i> gage)	مقياس حرارة الأسطوانة
10 accelerometer	مقياس التسارع
11 chronometer	كرونومتر، ساعة مكمّنة الضبط

12 turn indicator with ball	مبين الانعطاف
13 directional gyro	حافظ الاتجاه
14 vertical speed indicator (rate-of-climb indicator, variometer)	مبين السرعة الرأسية
15 VOR radio direction finder [VOR: very high frequency omni-directional range]	محدد اتجاه لاسلكي ذو تردد عال جدا لجميع الاتجاهات
16 left tank fuel gauge (<i>Am.</i> gage)	مبين خزّان الوقود الأيسر
17 right tank fuel gauge (<i>Am.</i> gage)	مبين خزّان الوقود الأيمن
18 ammeter	أميتر
19 fuel pressure gauge (<i>Am.</i> gage)	مقياس ضغط الوقود
20 oil pressure gauge (<i>Am.</i> gage)	مقياس ضغط الزيت
21 oil temperature gauge (<i>Am.</i> gage)	مبين حرارة الزيت
22 radio and radio navigation equipment	معدات الالاسلكي والملاحة الالاسلكية
23 map light	ضوء إضاءة الخريطة
24 wheel (control column, control stick) for operating the ailerons and elevators	عصا التحكم لتشغيل الجناحيّات والأسطح الرافعة
25 co-pilot's wheel	عصا الطيار المساعد
26 switches	مفاتيح تشغيل
27 rudder pedals	دواسة الدفة
28 co-pilot's rudder pedals	دواسة دفة الطيار المساعد
29 microphone for the radio	ميكروفون الالاسلكي
30 throttle lever (throttle control)	ذراع الصمام الخافق
31 mixture control	مختقة تغيير المزيج
32-66 single-engine (single-engine) racing and passenger aircraft (racing and passenger plane)	طائرة أحادية المحرك لنقل الركاب والمسابقات
32 propeller (airscrew)	مروحة
33 spinner	غطاء قبة المروحة
34 flat four engine	مُحرك رباعي مستوي
35 cockpit	كابينة طاقم الطائرة
36 pilot's seat	مقعد الطيار
37 co-pilot's seat	مقعد الطيار المساعد
38 passenger seats	مقاعد الركاب
39 hood (canopy, cockpit hood, cockpit canopy)	غطاء كابينة الطيار
40 steerable nose wheel	عجلة المَدَمَة القابلة للتوجيه
41 main undercarriage unit (main landing gear unit)	وحدة عجلات الهبوط الرئيسيّة
42 step	درجة سلميّة
43 wing	جناح
44 right navigation light (right position light)	ضوء الملاحة الأيمن
45 spar	عُضد الجناح

46 rib	ضلع الجناح
47 stringer (longitudinal reinforcing member)	رافدة (عضو تقوية طولي)
48 fuel tank	خزان الوقود
49 landing light	أضواء الهبوط
50 left navigation light (left position light)	ضوء الملاحة الأيسر
51 electrostatic conductor	موصّل الكروستاتي
52 aileron	جناح
53 landing flap	قلاية الهبوط
54 fuselage (body)	جسم الطائرة
55 frame (former)	هيكل الطائرة
56 chord	وتر
57 stringer (longitudinal reinforcing member)	رافدة (عضو تقوية طولي)
58 vertical tail (vertical stabilizer and rudder)	ذيل رأسي (زعنفه موازنة رأسية ودفة)
59 vertical stabilizer (vertical fin, tail fin)	زعنفه موازنة رأسيّة (دفة الطائرة)
60 rudder	دفة الطائرة
61 horizontal tail	ذيل أفقي
62 tailplane (horizontal stabilizer)	لوحة الذيل (زعنفه موازنة أفقيّة)
63 elevator	سطح رافع
64 warning light (anticollision light)	أضواء تحذيرية (أضواء لتفادي الاصطدام)
65 dipole antenna	هوائي تائي القطب
66 long-wire antenna (long-conductor antenna)	هوائي سلك توصيل طويل
67-72 principal manoeuvres (<i>Am.</i> maneuvers) of the aircraft (acroplane, plane, <i>Am.</i> airplane)	حركات المناورة الأساسية للطائرة
67 pitching	تَرْجُج
68 lateral axis	المحور الجانبي
69 yawing	انحرّاج
70 vertical axis (normal axis)	المحور الرأسي
71 rolling	عُطُوف
72 longitudinal axis	المحور الطولي

231 Aircraft III

1-33 types of aircraft (aeroplanes, planes, <i>Am.</i> airplanes)	أنواع الطائرات (3)
1-6 propeller-driven aircraft (aeroplanes, planes, <i>Am.</i> airplanes)	طائرة بمروحة
1 single-engine (single-engine) racing and passenger aircraft (racing and passenger plane), a low-wing monoplane (low-wing plane)	طائرة بمحرك واحد لنقل الركاب والمسابقات، طائرة منخفضة الجناحين
2 single-engine (single-engine) passenger aircraft, a high-wing	طائرة بمحرك واحد لنقل الركاب، طائرة أحادية السطح مرتفعة الجناحين

monoplane (high-wing plane)
 3 twin-engine (twin-engine) business and passenger aircraft (business and passenger plane)
 4 short/modium haul airliner, a turboprop plane (turbopropeller plane, propeller-turbine plane)
 5 turboprop engine (turbopropeller engine)
 6 vertical stabilizer (vertical fin, tail fin)
 7-33 jet planes (jet aeroplanes, jets, Am. jet airplanes)
 7 twin-jet business and passenger aircraft (business and passenger aircraft (business and passenger plane)
 8 fence
 9 wing-tip tank (tip tank)
 10 rear engine
 11 twin-jet short/medium haul airliner
 12 tri-jet medium haul airliner
 13 four-jet long haul airliner
 14 wide-body long haul airliner (jumbo jet)
 15 supersonic airliner [Concorde]
 16 droop nose
 17 twin-jet wide-body airliner for short/medium haul routes (airbus)
 18 radar nose (radome, radar dome) with weather radar antenna
 19 cockpit
 20 galley
 21 cargo hold (hold, underfloor hold)
 22 passenger cabin with passenger seats
 23 retractable nose undercarriage unit (retractable nose

landing gear unit)
 24 nose undercarriage flap (nose gear flap)
 25 centre (Am. center) passenger door
 26 engine pod with engine (turbojet engine, jet turbine engine, jet engine, jet turbine)
 27 electrostatic conductors
 28 retractable main undercarriage unit (retractable main landing gear unit)
 29 side window
 30 rear passenger door
 31 toilet (lavatory, WC)
 32 pressure bulkhead
 33 auxiliary engine (auxiliary gas turbine) for the generator unit
232 Aircraft IV
 1 flying boat, a seaplane
 2 hull
 3 stub wing (sea wing)
 4 tail bracing wires
 5 floatplane (float seaplane), a seaplane
 6 float
 7 vertical stabilizer (vertical fin, tail fin)
 8 amphibian (amphibian flying boat)
 9 hull
 10 retractable undercarriage (retractable landing gear)
11-25 helicopters
 11 light multirole helicopter
 12, 13 main rotor
 12 rotary wing (rotor blade)
 13 rotor head
 14 tail rotor (anti-torque rotor)
 15 landing skids
 16 flying crane
 17 turbine engines
 18 lifting undercarriage
 19 lifting platform
 20 reserve tank
 21 transport helicopter
 22 rotors in tandem
 23 rotor pylon
 24 turbine engine

25 tail loading gate
 26-32 V/STOL aircraft (vertical/short take-off and landing aircraft)
 26 tilt-wing aircraft, a VTOL aircraft (vertical take-off and landing aircraft)
 27 tilt wing in vertical position
 28 contrarotating tail propellers
 29 gyrodyne
 30 turboprop engine (turbopropeller engine)
 31 convertiplane
 32 tilting rotor in vertical position
33-60 aircraft engines (aero engines)
33-50 jet engines (turbojet engines, jet turbine engines, jet turbines)
 33 front fan-jet
 34 fan
 35 low-pressure compressor
 36 high-pressure compressor
 37 combustion chamber
 38 fan-jet turbine
 39 nozzle (propelling nozzle, propulsion nozzle)
 40 turbines
 41 bypass duct
 42 aft fan-jet
 43 fan
 44 bypass duct
 45 nozzle (propelling nozzle, propulsion nozzle)
 46 bypass engine
 47 turbines
 48 mixer
 49 nozzle (propelling nozzle, propulsion nozzle)
 50 secondary air flow (bypass air flow)
 51 turboprop engine (turbopropeller engine), a twin-shaft engine
 52 annular air intake
 53 high-pressure turbine
 54 low-pressure turbine
 55 nozzle (propelling nozzle, propulsion nozzle)
 باب الشحن الخلفي
 طائرة عمودية للإقلاع القصير والهبوط
 طائرة بجناح مائل (طائرة إقلاع وهبوط عمودي)
 جناح مائل في وضع رأسي
 ميسرات ذيل تدور في اتجاه معاكس
 جيروداين، جيروسكوب محرك ذو رفاص توربيني
 طائرة عمودية أفقية مروحة مائلة في وضع رأسي
المحركات الطائرة
 منفث المروحة الأمامي مروحة ضاغط ضغط منخفض
 ضاغط ضغط مرتفع
 حجرة الاحتراق
 توربين منفث المروحة فوهة (فوهة الدفع)
 توربينات
 مجرى جانبي/ثانوي منفث المروحة الخلفي مروحة
 مجرى جانبي/ثانوي فوهة الدفع
 محرك مساعد توربينات خلاط فوهة (فوهة الدفع)
 دفع هواء ثانوي
 محرك دفع توربيني
 مدخل هواء حلقي
 توربين ضغط عال
 توربين ضغط منخفض فوهة (فوهة الدفع)
 غطاء حجيبة عجلات الهبوط الأمامية
 باب الركاب الأوسط
 طرف المحرك وبدخله المحرك التوربيني النفاث
 موصلات الكترول ستاتيية وحدة عجلات الهبوط الرئيسية القابلة للضم
 نافذة جانبية
 باب الركاب الخلفي
 ثوراة مياه
 حاجز إنشائي فاصل ضفطي
 محرك إضافي/مساعد لوحة المولد
الطائرة (4)
 طائرة مائية
 مقدم الطائرة
 جناح أثير
 أسلاك تقوية الذيل
 طائرة بوعامة،
 طائرة بحرية
 عوامة
 زعينة موازنة رأسية
 طائرة برمائية
 مقدم الطائرة
 عجلات الهبوط القابلة للضم
 طائرات هليكوبتر،
 الطائرات العمودية
 هليكوبتر خفيفة متعددة الأدوار
 مروحة رئيسية
 جناح المروحة
 رأس المروحة
 دوار الدفع الرفاع الخلفي
 زحافتنا الهبوط
 مرفاع طائر
 محركات توربينية
 هيكل سفلي للرفع
 منصة الرفع
 خزان الوقود الاحتياطي
 هليكوبتر للنقل
 مروحتان توافيتان
 عمود المروحة
 محرك توربيني

56 shaft
 57 intermediate shaft
 58 gear shaft
 59 reduction gear
 60 propeller shaft
233 Airport
 1 runway
 2 taxiway
 3 apron
 4 apron taxiway
 5 baggage terminal
 6 tunnel entrance to the baggage terminal
 7 airport fire service
 8 fire appliance building
 9 mail and cargo terminal
 10 cargo warehouse
 11 assembly point
 12 pier
 13 pierhead
 14 airbridge
 15 departure building (terminal)
 16 administration building
 17 control tower (tower)
 18 waiting room (lounge)
 19 airport restaurant
 20 spectators' terrace
 21 aircraft in loading position (noised in)
 22 service vehicles, e.g. baggage loaders, water tankers, galley loaders, toilet-cleaning vehicles, ground power units, tankers
 23 aircraft tractor (aircraft tug)
24-53 airport information symbols (pictographs)
 24 'airport'
 25 'departures'
 26 'arrivals'
 27 'transit passengers'
 28 'waiting room' ('lounge')
 29 'assembly point' ('meeting point', 'rendezvous point')
 30 'spectators' terrace'
 31 'information'
 32 'taxi'
 33 'car hire'
 34 'trains'
 35 'buses'
 36 'entrance'
 عمود
 عمود وسطي
 عمود المنشآت
 ترس تخفيض السرعة
 عمود (دوران) المروحة
المطار
 مدراج إقلاع وهبوط
 الطائرات
 مدرج جانبي
 حظيرة الطائرات
 مدرج حظيرة الطائرات
 محطة العفش
 مدخل نفقي يؤدي إلى محطة البضائع
 مركز إطفاء المطار
 مبنى معدات الإطفاء
 محطة البريد والبضائع
 مستودع البضائع
 نقطة التجمع
 رصيف
 رأس الرصيف
 جسر جوي
 صالة/ مبنى المغادرة
 مبنى الإدارة
 برج المراقبة
 صالة الانتظار
 مطعم المطار
 شرفة الزوار/المؤدعين
 طائرة في وضع التحميل
 عربات الخدمة، ومنها لوابر العفش وصهاريج الماء والوابر الأظعمة إلى المطبخ وعربات تنظيف دورات المياه ووحدات الطاقة الأرضية والخزانات
 جرار الطائرة
 رموز المعلومات بالمطار
 "مطار"
 "المغادرون"
 "القادمون"
 "ركاب الترانزيت"
 "صالة الانتظار"
 "نقطة التجمع"
 "شرفة الزوار/المؤدعون"
 "استعلامات"
 "سيارات أجرة"
 "تأجير سيارات"
 "القطارات"
 "الحافلات"
 "دخول"
 854

46	work platform (working platform)	مَبْصَة شغل	11	integrally stiffened light alloy skin	بَشْرَة من سبيكة خفيفة مَقْوَاة
47	cable duct	مَجْرَى الكيبلات	12	lattice girder	عارضة شبكية
48	acceleration rockets for fuel acquisition	صواريخ التسارع للحصول على الوقود	13	payload bay insulation	عازل فَرْجَة الحَمْل الأجر
49	aft frame section	جزء الهيكل الخلفي	14	payload bay door	باب فَرْجَة الحَمْل الأجر
50	compressed-helium tanks (helium pressure vessels)	خَزَانات الهيليوم المضغوط	15	low-temperature surface insulation	عازل سطح منخفض الحرارة
51	liquid hydrogen (LH ₂) line	خَط الهيدروجين السائل	16	flight deck (crew compartment)	سطح الطيران (حَجِيْرَة المَاطم)
52	liquid oxygen (LOX, LO ₂) line	خَط الأوكسجين السائل	17	captain's seat (commander's seat)	مَقْعَد كابتن المَاطم
53	24-panel instrument unit	وَحْدَة آلات بها 24 لَوْحَة	18	pilot's seat (co-pilot's seat)	مَقْعَد الطيار (مَقْعَد مُسَاعِد الطيار)
54	LM hangar (lunar module hangar)	عَبْثَر الموديويلات القَمْرِيَة	19	forward pressure bulk-head	حاجز إِنْشَائِي أمامي ضغطي
55	LM (lunar module)	موديول قَمْرِي	20	carbon fibre reinforced nose cone	جزء المَقْدَمَة المَقْوَى بألياف كربونية
56	Apollo SM (service module), containing supplies and equipment	موديول الخدمة أبوللو وبه المَوْن والمُعَادَات	21	forward fuel tanks	خَزَانَات الوقود الأمامية
57	SM (service module) main engine	المُحَرِّك الرئيسي لموديول الخدمة	22	avionics consoles	كُونسُولَات آلات الطيران
58	fuel tank	خَزَان الوقود	23	automatic flight control panel	لَوْحَة التَحَكُّم في الطيران الألي
59	nitrogen tetroxide tank	خَزَان رابع أكسيد النيتروجين	24	upward observation windows	نوافذ ملاحظة علوية
60	pressurized gas delivery system	نظام توصيل الغاز المضغوط	25	forward observation windows	نوافذ ملاحظة أمامية
61	oxygen tanks	خَزَانات الأوكسجين	26	entry hatch to payload bay	كُرَة دَخول فَرْجَة الحَمْل الأجر
62	fuel cells	خلايا وقودية	27	air lock	دَسَام هوائي
63	manoeuvring (Am. maneuvering) rocket assembly	مجموعة صواريخ المناورة	28	ladder to lower deck	سُلّم يؤدي إلى السطح السفلي
64	directional antenna assembly	مجموعة هوائي اتجاها	29	payload manipulator arm	ذراع آليَة معالجة الحَمْل الأجر
65	space capsule (command section)	كبسولة فضائية (جزء القيادة)	30	hydraulically steerable nose wheel	عِجَلَة مَقْدَمَة يتم توجيهها هيدرولياً
66	launch phase escape tower	بَرْج انفلات مرحلة الإطلاق	31	hydraulically operated main landing gear	عِجَلَة الهبوط الرئيسية التي يتم تشغيلها هيدرولياً
235	Space Flight II	الطيران في الفضاء (2)	32	removable (reusable) carbon fibre reinforced leading edge (of wing)	حافة أمامية مَقْوَاة مصنوعة من الفِبرّ قابلة للفصل
1-45	Space Shuttle-Orbiter	غُرْبَة فضائية مدارية مكوّنة	33	movable elevision sections	أجزاء سطح رافع عاطف قابلة للفصل
1	twin-spar (two-spar, double-spar) vertical fin	زَعِيْفَة رأسيّة ذات عَضْدَيْن	34	heat-resistant elevision structure	هيكل سطح رافع عاطف مقاوم للحرارة
2	engine compartment structure	هيكل حَجِيْرَة المُحَرِّك	35	main liquid hydrogen (LH ₂) supply	مَضْرِب إمداد الهيدروجين السائل الرئيسي
3	fin post	قَضِيْب الزَعِيْفَة	36	main liquid-fuelled rocket engine	مُحَرِّك صاروخي رئيسي يعمل بالوقود السائل
4	fuselage attachment [of payload bay doors]	مَلْحَق جِسم الغرْبَة [لأبواب فرجة الحَمْل الأجر]	37	nozzle (thrust nozzle)	قُوْهَة (قُوْهَة الدَفْع)
5	upper thrust mount	مَحْمَل الدَفْع العلوي	38	coolant feed line	خَط تغذية المُبْرَد
6	lower thrust mount	مَحْمَل الدَفْع السفلي	39	engine control system	نظام التحكم في المُحَرِّك
7	keel	صالب القاعدة، أريئة	40	heat shield	وقاء الحرارة
8	heat shield	دِرْع وافي من الحرارة	41	high-pressure liquid hydrogen (LH ₂) pump	مضخة هيدروجين سائل عالية الضغط
9	waist longeron	دِرْع وافي من الحرارة الضلع الطولاني الأوسط	42	high-pressure liquid oxygen (LOX, LO ₂) pump	مضخة أوكسجين سائل عالية الضغط
10	integrally machined (integrally milled) main rib	ضلع رئيسي مصنع ألياً	43	thrust vector control system	نظام التحكم في كمية الدَفْع المُوجّهة
			44	electromechanically	مُحَرِّك مَنَاورَة مدارية

37	'exit'	"خروج"	oxygen	أليّة توصيل بين الخزانات
38	'baggage reclaim'	"استرجاع الأمتعة"	16	inter-tank connector (inter-tank section)
39	'luggage lockers'	"دواليب الأمتعة"	17	instruments and system-monitoring devices
40	'telephone - emergency calls only'	"هاتف - للطوارئ فقط"	18	second rocket stage (S-II)
41	'emergency exit'	"مُخْرَج طوارئ"	19	J-2 engine
42	'passport check'	"الجوازات"	20	heat shield (thermal protection shield)
43	'press facilities'	"تسهيلات صحافية"	21	engine mounts and thrust structure
44	'doctor'	"طبيب"	22	acceleration rockets for fuel acquisition
45	'chemist' (Am. 'druggist')	"صيدلي"	23	liquid hydrogen (LH ₂) suction line
46	'showers'	"أدشاش استحمام"	24	liquid oxygen (LOX, LO ₂) tank [capacity: 1,315,000 litres]
47	'gentlemen's toilet' ('gentlemen')	"دورة مياه للرجال"	25	standpipe
48	'ladies toilet' ('ladies')	"دورة مياه للسيدات"	26	liquid hydrogen (LH ₂) tank [capacity: 1,020,000 litres]
49	'chapel'	"كنيسة صغيرة"	27	fuel level sensor
50	'restaurant'	"مطعم"	28	work platform (working platform)
51	'change'	"سراقة"	29	cable duct
52	'duty free shop'	"السوق الحرة"	30	manhole
53	'hairstresser'	"مصفف شعر"	31	S-IC/S-II inter-stage connector (inter-stage section)
234	Space Flight I	الطيران في الفضاء (1)	32	compressed-gas container (gas pressure vessel)
1	Satum V 'Apollo' booster (booster rocket) [overall view]	صاروخ تعزيز مَرَكْبَة الفضاء أبوللو ساترن V [منظر عام]	33	third rocket stage (S-IVB)
2	Satum V 'Apollo' booster (booster rocket) [overall sectional view]	صاروخ تعزيز مَرَكْبَة الفضاء أبوللو [منظر قطاعي عام]	34	J-2 engine
3	first rocket stage (S-IC)	مَبْصَة الصاروخ الأول (S-IC)	35	nozzle (thrust nozzle)
4	F-1 engines	مَحْرَكات F-1	36	S-II/S-IVB inter-stage connector (inter-stage section)
5	heat shield (thermal protection shield)	دِرْع وافي من الحرارة	37	four second-stage (S-II) separation retro-rockets
6	aerodynamic engine fairings	أسطح انسيابية إيرودينامية للمحركات	38	attitude control rockets
7	aerodynamic stabilizing fins	زَعَانِف مُوازِنَة إيرودينامية	39	liquid oxygen (LOX, LO ₂) tank [capacity: 77,200 litres]
8	stage separation retro-rockets, 8 rockets arranged in 4 pairs	صواريخ كايحة لفصل المَبْصَات، مَبْصَاتَة صواريخ مَرَكْبَة في أربعة أزواج	40	fuel line duct
9	kerosene (RP-1) tank [capacity: 811,000 litres]	خَزَان الكيروسين [سعة 811 ألف لتر]	41	liquid hydrogen (LH ₂) tank [capacity: 253,000 litres]
10	liquid oxygen (LOX, LO ₂) supply lines, total of 5	خَطوط إمداد الأوكسجين السائل، إجمالي خمسة خطوط	42	measuring probes
11	anti-vortex system (device for preventing the formation of vortices in the fuel)	نظام مَتَع التَدْوِين في الوقود	43	compressed-helium tanks (helium pressure vessels)
12	liquid oxygen (LOX, LO ₂) tank [capacity: 1,315,000 litres]	خَزَان الأوكسجين السائل [سعة مليون و 315 ألف لتر]	44	tank vent
13	anti-slosh baffles	حَوَاجِز مَتَع الخَضْحَضَة	45	forward frame section
14	compressed-helium bottles (helium pressure bottles)	حَاوِيَات الهيليوم المضغوط		
15	diffuser for gaseous	آليّة نَشْر الأوكسجين الغازي		

36 pre-distributor channel	قناة التوزيع الأولي	11 keypad with number and function keys (feature keys)	لوحة مفاتيح الأرقام والوظائف
37 process control computer	كمبيوتر تحكم	12 last number redial button	زر تكرار آخر رقم
38 distributing machine	ماكينة توزيع	13 abbreviated dialling key	زر اتصال مختزل
39 video coding station	محطة وضع الرموز البريدية المرئية	14 speaker key (loud-speaker key)	زر ميكرو الصوت
40 screen	شاشة	15 mouthpiece	صوان التكم في الهاتف
41 address display	عرض العنوان	16 line reset button	زر إعادة ضبط الخط
42 address	عنوان	17 speaker (loudspeaker)	ميكرو صوت (ساعة صوت)
43 post code (postal code, Am. zip code)	رمز بريدي	18 call indicator	موشر الاتصال
44 keyboard	لوحة المفاتيح	19 push-button telephone, an added-feature telephone	هاتف بأزرار انضغاطية
45 handstamp	ختم يدوي	20 display	شاشة
46 roller stamp	ختم أسطوانية	21 lock	قفل
47 franking machine	ماكينة دمج الرسائل	22 novelty telephone, an added-feature telephone	هاتف ديكور كلاسيكي
48 feed mechanism	آلية الإنقاص	23 (telephone) cradle	محمل السّاعة
49 delivery mechanism	آلية التوصيل	24 dummy crank	ذراع تدوير دمية
50-55 postal collection and delivery	تجميع البريد وتسليمه	25 detachable keypad	لوحة مفاتيح قابلة للفصل
50 postbox (Am. mailbox)	صندوق بريد	26 cordless (tele)phone (radiophone, mobile phone)	هاتف لاسلكي
51 collection bag	حقبية جمع البريد	27 aenal	هوائي
52 post office van (mail van)	عربة مكتب البريد	28 battery strength light	ضوء إرشادي لقوة البطارية
53 postman (Am. mail carrier, letter carrier, mailman)	رجل البريد	29 out of signal-range indicator	مؤشر أن الهاتف خارج نطاق الخدمة
54 delivery pouch (postman's bag, mailbag)	حقبية توزيع البريد	30 power switch	مفتاح التشغيل/الإيقاف
55 letter-rate item	بند فئة الرسالة	31 cardphone	هاتف يعمل بنظام البطاقات
56-60 postmarks	أختام البريد	32 split display showing call charges	شاشة منفصلة توضح رسوم المكالمات
56 postmark advertisement	ختم بريد إعلاني	33 language select button for the display	زر اختيار لغة الشاشة
57 date stamp postmark	ختم التاريخ	34 follow-on call button	زر مواصلة الاتصال
58 charge postmark	ختم الرسوم البريدية	35 phonecard slot	فتحة إدخال بطاقة الاتصال
59 special postmark	ختم بريد خاص	36 phonecard (here: tele-phone credit card)	بطاقة الاتصال بالهاتف (هنا بطاقة لشحن للاتصالات الهاتفية)
60 roller postmark	علامة بريد موجية	37 phonecard symbol	رمز بطاقة الاتصال بالهاتف
61 stamp (postage stamp)	طابع بريد	38 cardholder's name	اسم حامل البطاقة
62 perforations	ثقوب	39 card number	رقم البطاقة
237 Post Office II (Telecommunications)	مكتب البريد (2) (الاتصالات السلكية واللاسلكية)	40 arrow indicating direction of insertion	سهم يشير إلى اتجاه إدخال البطاقة بالهاتف
1-41 telephone	هاتف ، تليفون	41 chips	رقائق
1 dial telephone	هاتف بقرص	42-62 ISDN (Integrated Services Digital Network)	شبكة رقمية للخدمات المتكاملة
2 handset (telephone receiver)	سماعة الهاتف	42 multifunction telecommunications terminal (ISDN workstation)	طرفية اتصالات متعددة الوظائف
3 receiver cord (handset cord)	سلك السماعة	43 screen (monitor) for viewdata, video telephone, and Teletex	شاشة للبيانات المرئية ، هاتف ناقل للصورة وتلكس
4 telephone cable (telephone cord)	كابل الهاتف ، سلك التليفون	44 central processing and	وحدة المعالجة والذاكرة
5 telephone casing (telephonic cover)	جسم الهاتف ، غلبة التليفون		
6 emergency numbers	أرقام الطوارئ		
7 line number	رقم الخط		
8 dial	قرص الهاتف		
9 compact telephone (slim line telephone), an added-feature telephone	هاتف مندمج		
10 earpiece (receiver)	أذنية (المستقبل)		

controlled orbital manocuvring (Am. maneuvering) main engine	رئيسي يتم التحكم فيه كهروميكانيكياً	236 Post Office I	مكتب البريد (1)
45 nozzle fuel tanks (thrust nozzle fuel tanks)	خزانات الوقود بقوة الدفع	1-30 main hall	الصالة الرئيسية
46 jettisonable liquid hydrogen and liquid oxygen tank (fuel tank)	خزان أكسجين سائل وهيدروجين سائل قابلين للطرح (خزان وقود)	1 parcels counter	شباك الطرود
47 integrally stiffened annular rib (annular frame)	ضلع طرفي مقوى شبه كروي	2 parcels scales	ميزان الطرود
48 hemispherical end rib (end frame)	ضلع طرفي شبه كروي	3 parcel	طرود
49 aft attachment to Orbiter	المحلق الخلفي للعبة المدارية	4 stick-on address label with parcel registration slip	بطاقة عتّاون لاصقة مع كعب تسجيل الطرد
50 liquid hydrogen (LH ₂) line	خط الهيدروجين السائل	5 glue pot	قنية الصمغ
51 liquid oxygen (LOX, L _O ₂) line	خط الأكسجين السائل	6 small parcel	طرود صغير
52 manhole	فتحة	7 franking machine (Am. postage meter) for parcel registration cards	ماكينة دمج بطاقات تسجيل الطرود
53 surgebaffle system (slosh baffle system)	نظام حواجز التمور	8 telephone box (telephone booth, telephone kiosk, call box)	كثك الهاتف
54 pressure line to liquid hydrogen tank	خط ضغط واصل لخزان الهيدروجين السائل	9 coin-box telephone (pay phone, public telephone)	هاتف يعمل بالعملة المعدنية
55 electrical system bus	اوتوبوس النظام الكهربائي	10 telephone directory rack	رف دليل الهاتف
56 liquid oxygen (LOX, L _O ₂) line	خط الأكسجين السائل	11 directory holder	حامل الدليل
57 pressure line to liquid oxygen tank	خط ضغط واصل لخزان الأكسجين السائل	12 telephone directory (telephone book)	دليل الهاتف
58 recoverable solid-fuel rocket (solid rocket booster)	صاروخ قابل للاسترجاع يعمل بالوقود الصلب	13 post office boxes	صناديق مكتب البريد
59 auxiliary parachute bay	فرجة مظلة مساعدة	14 post office box	صندوق بريد
60 compartment housing the recovery parachutes and the forward separation rocket motors	حجرة مظلات الاسترجاع والمحركات الأمامية لصاروخ الانفصال	15 stamp counter	شباك بيع الطابع
61 cable duct	مجري الكابلات	16 counter clerk (counter officer)	موظف الشباك
62 aft separation rocket motors	المحركات الخلفية لصاروخ الانفصال	17 company messenger	سامي شركة
63 aft skirt	حاشية/حافة خلفية	18 record of posting book	سجل مكتب الإرسال
64 swivel nozzle (swivelling, Am. swiveling, nozzle)	قوة دورانية	19 counter stamp machine	ماكينة الطابع بالشباك
65 Spacelab (space laboratory, space station)	مختبر فضائي	20 stamp book	ملف حفظ الطابع
66 multi-purpose laboratory (orbital workshop)	مختبر متعدد الأغراض (ورشة مدارية)	21 sheet of stamps	فرج طابع
67 astronaut	رجل فضاء	22 security drawer	درج أمان
68 gimbal-mounted telescope	تليسكوب على حامل ذي محورين	23 change rack	درج الصرف
69 measuring instrument platform	منصة آلات القياس	24 letter scales	ميزان الخطابات
70 spaceflight module	موديول فضائي	25 paying-in (Am. deposit), post office savings, and pensions counter	شباك تسديد الفواتير ودفاتر توفير البريد والمعاشات
71 crew entry tunnel	نفق دخول الطاقم	26 accounting machine	ماكينة حاسبة
		27 franking machine for money orders and paying-in slips (Am. deposit slips)	ماكينة دمج أوامر الدفع وايصالات التسديد
		28 change machine (Am. changemaker)	ماكينة صرافة
		29 receipt stamp	ختمة الايصالات
		30 hatch	فتحة ، كوة
		31-44 letter-sorting installation	قسم فرز الرسائل
		31 letter feed	إلقام الرسائل
		32 stacked letter containers	حاويات رسائل متراصة
		33 feed conveyor	سير الإلقام
		34 intermediate stacker	جهاز ترصيص وسطي
		35 coding station	محطة وضع الرموز البريدية

memory unit	المركزية	satellite television, and cable television	تلفزيون الأقمار الصناعية
45 fax unit (fax)	وحدة الفاكس	80 broadcasting satellite	قمر البث
46 input device (keyboard)	لوحة مفاتيح الإدخال	81 television studio	ستوديو التليفزيون
47 telephone receiver (link to the telephone network)	ساعة الهاتف	82 television tower	برج البث المرئي
48 acoustic coupler (modem)	مودم (قارئة صوتية)	83 cablehead station	محطة رأس كبلية
49 telecontrol network (TEMEX network)	شبكة التحكم عن بعد	84 terrestrial broadcasting	البث الأرضي
50 public telephone network (switched telephone network)	شبكة الهاتف العمومي	85 satellite broadcasting	البث من القمر الصناعي
51 telecontrol centres	مراكز التحكم عن بعد	86 line-of-sight link (microwave link)	وأصلية خط الرؤية
52 TEMEX main control centre	مركز التحكم الرئيسي في شبكة التحكم عن بعد	87 cable network	شبكة الكيبلات
53 TEMEX transmission equipment	معدات إرسال شبكة التحكم عن بعد	88 cable connections	وصلات الكيبلات
54 telecommunications line (telephone line)	خط اتصالات سلكية ولاسلكية	238 Broadcasting (Radio and Television) I	الإذاعة (الراديو والتلفزيون) (I)
55 TEMEX network termination	انتهاء شبكة TEMEX	1-6 central recording channel of a radio station	محطة تسجيل مركزي بمحطة الإذاعة
56 slave station	محطة تابعة	1 monitoring and control panel	لوحة المشاهدة والتحكم
57 telecontrol terminal equipment	معدات طرفية التحكم عن بعد	2 data display terminal (video data terminal, video monitor) for visual display of computer-controlled programmes (Am. programs)	طرفية عرض البيانات للعرض المرئي للبرامج التي يجري التحكم فيها بالحواسيب الآلي
58 telecontrol terminal equipment (detector, sensor, or control equipment)	معدات طرفية التحكم عن بعد (معدات كشف أو استشعار أو تحكم)	3 amplifier and mains power unit	مضخم صوت ووحدة الطاقة الرئيسية
59 glass-break detector	مكتشف الكسر الزجاجي	4 magnetic sound recording and playback deck for 1/4" magnetic tape	جهاز تسجيل الصوت المغناطيسي والاستماع إليه للشرائط المغناطيسية حجم ربع بوصة
60 temperature controller	آلية التحكم في درجة الحرارة	5 magnetic tape, a 1/4" tape	شريط مغناطيسي، شريط ربع بوصة
61 emergency call	آلية الاستدعاء في حالة الطوارئ	6 film spool holder	حامل بكرات الفيلم
62 meter (electricity meter)	مقياس الكهرباء	7-15 radio switching centre (Am. center) control room	غرفة التحكم في مركز التحويل الإذاعي
63 communications satellite	قمر صناعي للاتصالات السلكية واللاسلكية	7 monitoring and control panel	لوحة المشاهدة والتحكم
64 solar panel (solar paddle, solar array, solar generator)	صنفة شمسية (أرياش بخلايا شمسية)	8 talkback speaker	مكبر صوت الانتزافون
65 antenna module	موديول الهوائي	9 local-battery telephone	هاتف بطارية محلية
66 receiving antenna for control commands	هوائي استقبال أوامر التحكم	10 talkback microphone	ميكروفون الانتزافون
67 parabolic antennas	هوائيات مكافئة المقطع	11 data display terminal (video data terminal)	طرفية عرض البيانات
68 communications module	موديول الاتصالات	12 teleprinter	طابعة عن بعد
69 propulsion module	موديول التسيير	13 input keyboard for computer data	لوحة إدخال بيانات الكمبيوتر
70 broadcasting satellite (television satellite)	قمر صناعي خاص بالبث التليفزيوني	14 telephone switchboard panel	لوحة بدالة الهاتف
71 service module	موديول خدمة	15 monitoring speaker (control speaker)	مكبر صوت للمتابعة والتحكم
72 fuel tanks	خزانات الوقود	16-26 broadcasting centre (Am. center)	مركز الإذاعة
73 control jets	صنفاث التحكم	16 recording room	غرفة التسجيل
74 earth station	محطة أرضية	17 production control room (control room)	غرفة مراقبة الإنتاج
75 parabolic antenna	هوائي مكافئ المقطع		
76 main reflector	عاكس رئيسي		
77 feed antenna	هوائي تغذية		
78 radio beams	حزم أشعة لاسلكية		
79 satellite broadcasting,	البث عبر الأقمار الصناعية		

18 studio	ستوديو	57 sound production control room (sound control room)	غرفة التحكم الخاصة بانتاج الصوت
19 sound engineer (sound control engineer)	مهندس الصوت	28 dubbing studio (dubbing theatre, Am. theatre)	ستوديو الدبلجة
20 sound control desk (sound control console)	لوحة التحكم في الصوت	29 studio table	طاولة الاستوديو
21 newsreader (newscaster)	قارئ نشرة الأخبار	30 visual signal	إشارة مرئية
22 duty presentation officer	موظف التقديم المناوب	31 electronic stopclock	ساعة وقف إلكترونية
23 telephone for phoned reports	هاتف لتلقي التقارير الهاتفية	32 projection screen	شاشة العرض
24 record turntable	صينية تشغيل الأسطوانات	33 monitor	مرقاب
25 recording room mixing console (mixing desk, mixer)	كونسول مكساج غرفة التحكم	34 studio microphone	ميكروفون الاستوديو
26 sound technician (sound mixer, sound recordist)	فني الصوت	35 sound effects box	صندوق المؤثرات الصوتية
27-53 television post-sync studio	ستوديو البث الكليفيزيوني المتزامن	36 microphone socket panel	لوحة مقابس الميكروفونات
27 sound production control room (sound control room)	غرفة التحكم الخاصة بانتاج الصوت	37 recording speaker (recording loudspeaker)	مكبر صوت خاص بالتسجيل
28 dubbing studio (dubbing theatre, Am. theatre)	ستوديو الدبلجة	38 control room window (studio window)	نافذة غرفة التحكم
29 studio table	طاولة الاستوديو	39 producer's talkback microphone	انتزافون المنتج
30 visual signal	إشارة مرئية	40 local-battery telephone	هاتف بطارية محلية
31 electronic stopclock	ساعة وقف إلكترونية	41 sound control desk (sound control console)	كونسول التحكم في الصوت
32 projection screen	شاشة العرض	42 group selector switch	مفتاح انتقاء التسجيل الجماعي
33 monitor	مرقاب	43 visual display	عرض بصري
34 studio microphone	ميكروفون الاستوديو	44 limiter display (clipper display)	شاشة محدد الخرج
35 sound effects box	صندوق المؤثرات الصوتية	45 control modules	موديولات التحكم
36 microphone socket panel	لوحة مقابس الميكروفونات	46 pre-listening buttons	أزرار الاستماع المسبق
37 recording speaker (recording loudspeaker)	مكبر صوت خاص بالتسجيل	47 slide control	آلية تحكم انزلاقية
38 control room window (studio window)	نافذة غرفة التحكم	48 universal equalizer (universal corrector)	معايير عام
39 producer's talkback microphone	انتزافون المنتج	49 input selector switches	مفاتيح انتقاء الدخّل
40 local-battery telephone	هاتف بطارية محلية	50 pre-listening speaker	مكبر صوت للاستماع المسبق
41 sound control desk (sound control console)	كونسول التحكم في الصوت	51 tone generator	مولد النغمة
42 group selector switch	مفتاح انتقاء التسجيل الجماعي	52 talkback speaker	مكبر صوت الانتزافون

53 talkback microphone	ميكروفون الانتزافون	60 preview monitor	شاشة العرض المسبق
54-59 pre-mixing room for transferring and mixing 16 mm, 17.5 mm, 35 mm perforated magnetic film	غرفة المكساج المتقدم لنقل ودبلجة فيلم مغناطيسي مقبب بمقاس 16 ملم، 17.5 ملم، 35 ملم	61 programme (Am. program) monitor	شاشة البرامج
54 sound control desk (sound control console)	كونسول التحكم في الصوت	62 stopclock	ساعة وقف
55 compact magnetic tape recording and playback equipment	معدات تسجيل وتشغيل الشرائط المغناطيسية المتدمجة	63 vision mixer (vision-mixing console, vision-mixing desk)	كونسول دمج الصور
56 single playback deck	جهاز تشغيل مفرد	64 talkback system (talk-back equipment)	نظام الانتزافون
57 central drive unit	وحدة الدفع المركزية	65 camera monitor (picture monitor)	شاشة الكاميرا
58 single recording and playback deck	جهاز تسجيل وتشغيل مفرد	239 Broadcasting (Radio and Television) II	الإذاعة (الراديو والتلفزيون) (2)
59 rewind bench	نضد إعادة لف الفيلم	1-15 outside broadcast (OB) vehicle (television OB van; also: sound OB van, radio OB van)	عربة التسجيلات الخارجية (عربة التليفزيون، عربة الإذاعة)
60-65 final picture quality checking room	غرفة فحص جودة الصورة النهائية	1-4 rear equipment section of the OB vehicle	معدات الجزء الخلفي في عربة التسجيلات الخارجية
60 preview monitor	شاشة العرض المسبق	2 camera cable	كابل الكاميرا
61 programme (Am. program) monitor	شاشة البرامج	3 cable connection panel	لوحة توصيل الكيبلات
62 stopclock	ساعة وقف	4 television (TV) reception aerial (receiving aerial) for Channel I	هوائي استقبال بثريئات للقناة الأولى
63 vision mixer (vision-mixing console, vision-mixing desk)	كونسول دمج الصور	5 television (TV) reception aerial (receiving aerial) for Channel II	هوائي استقبال بثريئات للقناة الثانية
64 talkback system (talk-back equipment)	نظام الانتزافون	6 interior equipment (on-board equipment) of the OB vehicle	المعدات الداخلية لعربة التسجيلات الخارجية
65 camera monitor (picture monitor)	شاشة الكاميرا	7 sound production control room (sound control room)	غرفة ضبط الصوت
239 Broadcasting (Radio and Television) II	الإذاعة (الراديو والتلفزيون) (2)	8 sound control desk (sound control console)	كونسول التحكم في الصوت
1-15 outside broadcast (OB) vehicle (television OB van; also: sound OB van, radio OB van)	عربة التسجيلات الخارجية (عربة التليفزيون، عربة الإذاعة)		

- 9 monitoring loudspeaker
 10 vision control room (video control room)
 11 video controller (vision controller)
 12 camera monitor (picture monitor)
 13 on-board telephone (intercommunication telephone)
 14 microphone cables
 15 air-conditioning plant

- compensated shadow mask mount
 23 centring (*Am.* centering) ring for the deflection system
 24 electron gun assembly
 25 rapid heat-up cathode
 26 television (TV) camera
 27 camera head
 28 camera monitor
 29 control arm (control lever)
 30 focusing adjustment
 31 control panel
 32 contrast control
 33 brightness control
 34 zoom lens
 35 beam-splitting prism (beam splitter)
 36 pick-up unit (colour, *Am.* colour, pick-up tube)

- التغيّر في درجة الحرارة
 حلقة المركز لنظام الانحراف
 مجموعة مدفعة الكهّارب كاثود سريع التحارّر
 كاميرا تصوير تليفزيوني (مضمّنة بالبصّريات)
 رأس الكاميرا
 شاشة الكاميرا
 ذراع تحكم
 آلية ضبط التركيز النيوري
 لوحة تحكم
 ضبط التباين
 ضبط السطوع
 عدسة زوم
 منشور تقرييق الحزمة الاشعاعية
 وحدة التقاط (أنبوب لاقط)

240 Broadcasting III (Television Engineering)

- 1 colour (*Am.* color) television (TV) receiver (colour television set) of modular design
 2 television cabinet
 3 television tube (picture tube)
 4 IF (intermediate frequency) amplifier module
 5 colour (*Am.* color) decoder module
 6 VHF and UHF tuner
 7 horizontal synchronizing module
 8 vertical deflection module
 9 horizontal linearity control module
 10 horizontal deflection module
 11 control module
 12 convergence module
 13 colour (*Am.* color) output stage module
 14 sound module
 15 colour (*Am.* color) picture tube
 16 electron beams
 17 shadow mask with elongated holes
 18 strip of fluorescent (luminescent, phosphorescent) material
 19 coating (film) of fluorescent material
 20 inner magnetic screen (screening)
 21 vacuum
 22 temperature-

- الإذاعة (الراديو والتلفزيون) (3)
 مستقبل بترسيّات تليفزيون (ألوان مضمّن برنامج الموديولات
 صندوق التليفزيون
 أنبوب الصورة
 موديول مضمّن الصوت ذو تردد متوسط
 موديول مستخلص الألوان
 مؤلف ترددات عالية جداً وترددات منخفضة جداً
 موديول مرآة أفقي
 موديول الانحراف الرأسي
 موديول ضبط الاستقامة الأفقي
 موديول الانحراف الأفقي
 موديول تحكم
 موديول الانتمام
 موديول مخرّج الألوان
 موديول الصوت
 أنبوب الصورة الملونة
 حزم الكهّارب (الالكترونيات)
 ساتر مظل به ثقوب مطوّلة
 مورية فلورية
 تكميية بمادة فلورية
 مورية مغناطيسية داخلية
 فراغ
 محمّل ساتر مظل معادل

- أبّية ضبط التركيز النيوري
 لوحة تحكم
 ضبط التباين
 ضبط السطوع
 عدسة زوم
 منشور تقرييق الحزمة الاشعاعية
 وحدة التقاط (أنبوب لاقط)
241 Music Systems (Audio Systems) I
 1-17 stereo system (hi-fi system), a midi system
 1 hi-fi stack
 2 rack lid (rack dust cover, [housing] lid)
 3 rack (housing) with glass door
 4 record player (record deck, analogue [*Am.* analog] record player)
 5 tuner (receiver, radio tuner)
 6 amplifier (power amplifier)
 7 double cassette deck (double cassette recorder)
 8 CD player (compact disc player)
 9 cassette rack
 10 record and compact disc rack
 11 castor
 12 speaker (loudspeaker), a three-way bass reflex speaker
 13 tweeter, a dome tweeter or piezo tweeter
 14 mid-range speaker (squawker)
 15 bass speaker (woofer)

- أنظمة الموسيقى (الأنظمة الصوتية) (1)
 نظام الصوت المضمّن (نظام الهاي فاي)
 جهاز الهاي فاي
 غطاء واق من التربة
 مبيت له باب زجاجي
 مشغّل الأسطوانات
 مشغّل (وقاء التراب) منمّغ، مؤلف (مستقبل، مؤلف راديو)
 منمّغ، مؤلف (مستقبل، مؤلف راديو) مضمّن الصوت
 مسجّل شرائط كاسيت مزدوج
 مشغّل الأقراص المتدمّجة
 رف تخزين الأشرطة المتعلّبة (الكاسيتات)
 حبيّرة حفظ الأقراص المتدمّجة
 عجلة صغيرة مكبر الصوت
 مسبق، مسبق فنيّ أو بيرو
 سماعة متوسطة المدى
 سماعة الجهير

- 16 port
 17 infrared remote control [unit] (IR remote control [unit])
 18 record player (record deck, analogue [*Am.* analog] record player)
 19 turntable with direct drive or belt drive
 20 strobe light (strobe speed control)
 21 pitch control
 22 rpm display
 23 stop button
 24 auto-return button
 25 rpm selector (speed selector)
 26 cue button (down)
 27 cue button (up)
 28 stylus (needle)
 29 pick-up
 30 size selector (record size selector)
 31 tone arm (pick-up arm)
 32 tone arm support (pick-up arm support)
 33 stylus pressure control
 34 anti-skate control
 35 tone arm counterweight (pick-up arm counterweight)
 36 lid (dust cover)
 37 tuner (receiver, radio tuner)
 38 power switch
 39 tuning button (tuning control)
 40 manual and automatic tuning selection button with muting
 41 stereo/mono selection button
 42 strength-of-signal display button
 43 memory button
 44 station selection buttons
 45 frequency selection buttons ([wave] band selection buttons)
 46 station select display
 47 fluorescent digital display indicating wave band, frequency, and strength of signal
 48 LED indicator for stereo and mono mode

- فتحة
 وحدة تحكم عن بعد تعمل بالأشعة تحت الحمراء
 مشغّل الأسطوانات
 قرص الحاكي الدوّار يعمل بإدارة مباشرة أو إدارة سير
 ضوء ومضي إلكتروني
 ضبط الطبقة
 قراءة عدد الثبات/دقيقة
 زر إيقاف
 زر إعادة الأسطوانة إلى البداية تلقائياً
 زر ضبط سرعة دوران الأسطوانة
 زر إشارة البدء (أسفل)
 زر إشارة البدء (أعلى)
 إبرة الحاكي (إبرة)
 لاقط
 ضبط حجم الأسطوانة
 ذراع اللاقط
 مسند ذراع اللاقط
 ضبط ضغط إبرة الحاكي
 ضبط منع الانزلاق
 القفل الموازن لذراع اللاقط
 غطاء (وقاء التراب) منمّغ، مؤلف (مستقبل، مؤلف راديو)
 مفتاح تشغيل / قفل الجهاز
 زر الضبط الدقيق/المولفة
 زر انتقاء المولفة يدويّاً أو أوتوماتياً مع آلية إخمات
 زر انتقاء الصوت المضمّن/المفرد
 زر قراءة قوة الإشارة
 زر الذاكرة
 أزرار انتقاء المحطات
 أزرار انتقاء نطاقات التردد
 شاشة عرض انتقاء المحطات
 قراءة فلورسنت رقمية
 توضّح نطاق الموجة والتردد وقوة الإشارة
 مؤشر بصمام ثنائي مضيّ للتشغيل المضمّن والمفرد

- والمولفة الأوتوماتية
 مضمّن صوت كهربائي
 أزرار انتقاء الوظيفة الخاصة بالقرص الدوّار والمؤلف ومشغّل شرائط الكاسيت ومشغّل الأقراص المتدمّجة
 أزرار الفلاتر
 مضيق الجهير
 مضيق الثلاثي
 مضيق التوازن
 مضيق الجهارة
 مضيق حجم الصوت
 مقبس سماعات الرأس
 أزرار انتقاء سماعة الصوت
 شاشة قراءة دبايود مضيّ متعددة الوظائف
 قراءة وظيفة التشغيل
 مستقبل (مؤلف ومضخم صوت معا)
 زر انتقاء قراءة الشاشة
 شاشة قراءة بلورية سائلة
 معادل [جرافيتي]
 مضايب المعادل الإنزلاقية
 مشغل طيف الشاشة متعدد الأغراض دبايود مضيّ
 سماعات الرأس (سماعات للصوت المضمّن)
 وسادة الأذن
 ميكروفونات
 ميكروفون اتجاهي
 ميكروفون مكثّف الكترت له خاصية التقاط الصوت من جميع الاتجاهات

- 64 [graphic] equalizer, a 2 x 7 band [graphic] equalizer
 65 equalizer slide controls
 66 LED-display spectrum analyser
 67 headphones (stereo headphones)
 68 ear pads (ear cushions)
 69, 70 microphones
 69 directional microphone (stereo directional microphone)
 70 electret condenser microphone with omnidirectional pick-up characteristic

- مضيق
 مضيق التوازن
 مضيق الجهارة
 مضيق حجم الصوت
 مقبس سماعات الرأس
 أزرار انتقاء سماعة الصوت
 شاشة قراءة دبايود مضيّ متعددة الوظائف
 قراءة وظيفة التشغيل
 مستقبل (مؤلف ومضخم صوت معا)
 زر انتقاء قراءة الشاشة
 شاشة قراءة بلورية سائلة
 ذراع اللاقط
 مسند ذراع اللاقط
 ضبط ضغط إبرة الحاكي
 ضبط منع الانزلاق
 القفل الموازن لذراع اللاقط
 غطاء (وقاء التراب) منمّغ، مؤلف (مستقبل، مؤلف راديو)
 مفتاح تشغيل / قفل الجهاز
 زر الضبط الدقيق/المولفة
 زر انتقاء المولفة يدويّاً أو أوتوماتياً مع آلية إخمات
 زر انتقاء الصوت المضمّن/المفرد
 زر قراءة قوة الإشارة
 زر الذاكرة
 أزرار انتقاء المحطات
 أزرار انتقاء نطاقات التردد
 شاشة عرض انتقاء المحطات
 قراءة فلورسنت رقمية
 توضّح نطاق الموجة والتردد وقوة الإشارة
 مؤشر بصمام ثنائي مضيّ للتشغيل المضمّن والمفرد

- مضيق
 مضيق التوازن
 مضيق الجهارة
 مضيق حجم الصوت
 مقبس سماعات الرأس
 أزرار انتقاء سماعة الصوت
 شاشة قراءة دبايود مضيّ متعددة الوظائف
 قراءة وظيفة التشغيل
 مستقبل (مؤلف ومضخم صوت معا)
 زر انتقاء قراءة الشاشة
 شاشة قراءة بلورية سائلة
 معادل [جرافيتي]
 مضايب المعادل الإنزلاقية
 مشغل طيف الشاشة متعدد الأغراض دبايود مضيّ
 سماعات الرأس (سماعات للصوت المضمّن)
 وسادة الأذن
 ميكروفونات
 ميكروفون اتجاهي
 ميكروفون مكثّف الكترت له خاصية التقاط الصوت من جميع الاتجاهات

242 Music Systems (Audio Systems) II

- 1 cassette deck (cassette recorder)
 2 power switch
 3 [stop and] eject button
 4 cassette holder (cassette drive, cassette transport)
 5 dust cover
 6 counter (tape counter)
 7-12 transport buttons
 7 stop button
 8 rewind button

- زر انتقاء الصوت المضمّن/المفرد
 زر قراءة قوة الإشارة
 زر الذاكرة
 أزرار انتقاء المحطات
 أزرار انتقاء نطاقات التردد
 شاشة عرض انتقاء المحطات
 قراءة فلورسنت رقمية
 توضّح نطاق الموجة والتردد وقوة الإشارة
 مؤشر بصمام ثنائي مضيّ للتشغيل المضمّن والمفرد

- مضايب المعادل الإنزلاقية
 مشغل طيف الشاشة متعدد الأغراض دبايود مضيّ
 سماعات الرأس (سماعات للصوت المضمّن)
 وسادة الأذن
 ميكروفونات
 ميكروفون اتجاهي
 ميكروفون مكثّف الكترت له خاصية التقاط الصوت من جميع الاتجاهات
242 Music Systems (Audio Systems) II
 1 cassette deck (cassette recorder)
 2 power switch
 3 [stop and] eject button
 4 cassette holder (cassette drive, cassette transport)
 5 dust cover
 6 counter (tape counter)
 7-12 transport buttons
 7 stop button
 8 rewind button

9 play buttons for both directions (bi-directional play buttons)	أزرار تشغيل الشريط لكلا الاتجاهين	(receiver and amplifier)	وَمُضَخِّمُ الصوت)
10 fast forward button	زرّ تقديم الشريط	41 CD player	مُشغِلُ الأقراص المُدمِجة
11 record button	زرّ التسجيل	42 quartz clock with digital display and timer	ساعة كوارتز بشاشة رقمية وجهاز توقيت
12 pause button	زرّ توقيف الشريط مؤقتاً	43 double cassette recorder	مُسجِّلُ كاسيت مزدوج
13 counter reset button	زرّ إعادة ضبط العدّاد	44 loudspeaker	سماعة صوت
14 noise reduction buttons (Dolby select buttons)	أزرار تقليل الضوضاء (أزرار انتقاء نظام الدولبي)	45-49 audio-cassette (cassettes)	شريط صوتي مُعلَب (كاسيت)
15 auto-reverse buttons	أزرار قلب الشريط تلقائياً	45-47 types of tape	أنواع الشريط
16 recording level control	مضبط مستوى التسجيل	45 ferric cassette (iron oxide cassette, normal cassette)	كاسيت حديدية (كاسيت حديدي، كاسيت عادي)
17 microphone sockets	مقبس الميكروفون	46 chrome dioxide cassette (chrome cassette)	كاسيت كروم
18 headphone socket	مقبس سماعات الرأس	47 metal cassette (metal oxide cassette)	كاسيت معدني
19 level indicator display (VU meter), an LED display	شاشة دلالية لمستوى الصوت	48 tape type indication (indicating hole)	مؤشّر نوع الشريط
20 tape type indicator (tape-bias indicator), an LED display	مؤشر نوع الشريط على الشاشة الدلالية	49 record-protected cassettes	كاسيتات محمية من التسجيل عليها
21 double cassette deck (double cassette recorder)	مُسجِّلُ كاسيت مزدوج	50 world receiver for receiving ultra-short wave (USW), medium wave (MW), long wave (LW), and short wave (SW)	مُسْتَقْبِلُ عالمي لاستقبال الموجات شديدة القصر والموجات المتوسطة والطويلة والقصيرة
22 play button	زرّ تشغيل الشريط	51 aerial (rod aerial), a telescopic aerial	هوائي، ايريال تليسكوبي
23 [stop and] eject button	زرّ الإيقاف وإخراج الشريط	52 function buttons	أزرار وظائف التشغيل
24 high-speed dubbing button	زرّ دبلجة عالي السرعة	53 station select buttons	أزرار انتقاء القنوات
25 function select button	زرّ انتقاء وظيفة التشغيل	54 manual tuning knob	زرّ الموائجة يدوي
26 recording indicator light	ضوء مؤشر التسجيل	55 liquid crystal display (LCD) showing wave-band, frequency, and memory number	شاشة بلورية سائلة توضح نطاق الموجة والتردد ورقم الذاكرة
27 on-off light (power indicator light)	لمبة تشغيل/قفل الجهاز	56 (sliding) volume control	مفتاح انزلاقي لضبط الصوت
28 CD player (compact disc player, digital compact disc player)	جهاز تشغيل الأقراص المدمجة	57 cassette player (Walkman® with radio)	جهاز تشغيل شرائط الكاسيت
29 CD drawer	درج القرص المدمج	58 headphones	سماعات الرأس
30 open/close button for the CD drawer	زرّ فتح/غلق درج القرص المدمج	59 equalizer, a 3-band equalizer	مُعَادِلٌ، مُعَادِلٌ 3 نطاقات
31 search button and index search button	زرّ البحث وزرّ البحث الإرشادي	60 portable CD player (Discman®)	مُشغِلُ أقراص مدمجة محمول
32 skip buttons (skip-track buttons)	زرّ توقيف (زرّ قفز المسالك)	61 compact disc (CD)	شريط مدمج
33 headphone volume control	مضبط حجم صوت سماعات الرأس	62 lid	غطاء
34 function select buttons	أزرار انتقاء وظيفة التشغيل	63 casing with transport, amplifier, display, and function buttons	غلاف وبه أزرار التشغيل ومُضَخِّمُ الصوت والشاشة
35 programming, track and disc repeat, and pause indicators	مؤشرات التكرار والسمالك والصوت وتوقيف القرص مؤقتاً	64 compact hi-fi system (compact stereo system)	نظام هاي فاي (عالي الأمانة/دقيق الأداء) مدمج (نظام صوت مُضَمَّن مدمج)
36 LED display	شاشة عرض مستوى تسجيل الصوت	65 amplifier section	جزء مُضَخِّمُ الصوت
37 remaining time and track-index indicators	مؤشرات الوقت المتبقي ودليل المسلك	66 DAT recorder (digital cassette recorder) (DAT = Digital Audio Tape)	مُسجِّلُ شرائط كاسيت صوتية رقمية

67 infrared sensor (IR sensor) for the remote control	جهاز إحساس يعمل بالأشعة تحت الحمراء للتشغيل عن بعد	24 sound track (audio track)	مسلك الصوت
68 input selection buttons for mono, analogue (Am. analog), and digital signals	أزرار انتقاء النُحْل للإشارات المفردة والنظرية والرقمية	25 sync track	مسلك التزامن
69 index and program selection buttons	أزرار دلالية وأزرار انتقاء البرامج	26 sync head	رأس التزامن
70 index number display	شاشة عرض الرقم الدلالي	27 sound head (audio head)	رأس الصوت
71 auto-scan button	زرّ المسح الصوتي	28 video head	رأس الفيديو
72 end-record search button	زرّ البحث عن نهاية التسجيل	29 video recorder	جهاز تسجيل الفيديو
		30 infrared remote control	تحكم عن بعد بالأشعة تحت الحمراء
		31 program scale (program dial), a multi-display	مقياس البرامج
		32 cassette compartment	خزانة علبة شريط الفيديو
		33 jog shuttle knob for forward or reverse movement of the [video] picture	مقبض يعمل بالدفع الخفيف لتحريك صورة [الفيديو] للأمام أو بالعكس
		34 multisc disc player	جهاز عرض متعدد الأقراص
		35 infrared remote control	جهاز تحكم عن بعد بالأشعة تحت الحمراء
		36 disc drawer	درج الأقراص
		37-41 disc formats	أشكال تجهيز القرص
		37 single compact disc (single CD)	قرص مدمج مفرد
		38 audio CD	قرص مدمج صوتي
		39 video CD	قرص مدمج صوت وصورة
		40 small laser disc (20 cm)	قرص ليزر صغير (20 سم)
		41 large laser disc (30 cm)	قرص ليزر كبير (30 سم)
		42 laser scanning system	نظام مسح بالليزر
		43 [disc] spindle	عمود دوران [القرص]
		44 laser-head tracing spindle	عمود تتبع رأس الليزر
		45 laser head (laser unit)	رأس الليزر (وحدة الليزر)
		244 Personal Computer (PC)	الحاسب الآلي الشخصي
		1 personal computer (PC; sim.: laptop)	الحاسب الآلي الشخصي
		2 power switch	مفتاح التيار
		3 power supply (power pack)	إمداد الطاقة
		4 housing	مبيت، صندوق
		5 fixed-disk access light	لمبة الوصول إلى القرص الثابت
		6 main memory	الذاكرة الرئيسية
		7 coprocessor socket	مقبس معالج مترافق
		8 central processing unit (CPU), a micro-processor	وحدة المعالجة المركزية
		9 cache memory (cache controller)	ذاكرة مخفية
		10 expansion memory slot	خيزر تمدد الذاكرة
		11 graphics card slot	خيزر بطاقة الأشكال البيانية
		12 combined fixed and floppy disk controller	مراقب قرص ثابت ومرن مدمج
		13 serial and parallel	بطاقة اتصال متتابع-متوازي
		243 Video Equipment	معدات الفيديو
		1 camcorder (camera recorder), form: two-component system (separate camera and recorder)	كاميرا تسجيل صوت وصورة، الشكل نظام ثنائي المكونات (كاميرا ومسجل منفصلان)
		2 pocket camcorder, a video-8 camcorder	كاميرا فيديو 8 ملم للجييب
		3 lens, a x 6 zoom lens (11-66 mm)	عدسة زوم (11-66 ملم)
		4 viewfinder (ocular)	محدد الرؤية (عينية)
		5 CCD image converter (image sensor) and high-speed shutter, a half-inch chip with shutter functions	محول صورة بينية شحنة القرن مع مغلاق عالي السرعة
		6 video cassette	علبة شريط الفيديو
		7 videotape	شريط الفيديو
		8 head drum	أسطوانة رأس الفيديو
		9 autofocus motor	موتور تلقائي البورية
		10 built-in microphone (integral microphone)	ميكروفون داخلي
		11 VHS head drum (VHS: Video Home System)	أسطوانة رأس الفيديو (نظام توجيه الإشارات الحاملة للصوت)
		12 erase head	رأس مسح الإشارات الحاملة للصوت
		13 guide pin	ميسمار دللي
		14 tape guide	دليل الشريط
		15 capstan	رُحوية
		16 audio sync head	رأس التزامن الصوتي
		17 pinch roller	أسطوانة تضييق
		18 video head	رأس الفيديو
		19 grooves in the wall of the head drum to promote air cushion formation	خزوز في رأس الفيديو لتعزيز تكون الوسادة الهوائية
		20 VHS track format	تجهيز مسلك الإشارات الحاملة للصوت
		21 direction of tape movement	اتجاه حركة الشريط
		22 direction of recording	اتجاه التسجيل
		23 video track, a slant track (only a few tracks shown)	مسلك الإشارات الحاملة للصوت

(electronic calculator)	تليفون ، هاتف
13 telephone, an executive-secretary system	تليفون ، هاتف
14 dial; also: push-button keyboard	قُرْصٌ أيضاً لَوْحَةُ أزرَارٍ انضغاطية
15 call buttons	أزرَارُ الاتصال
16 receiver (telephone receiver)	سَمَاعَةٌ (سَمَاعَةُ الهاتف)
17 dictating machine	المَلَمَلَةُ ، الدِكْتافون
18 position indicator	مَبِينُ المَوْجِع
19 control buttons (operating keys)	مَفَاتِيحُ التَشغِيلِ
20 cabinet	خِزانة
21 visitor's chair	كُرْسِيُّ الزَائِرِ
22 safe	خِزانة
23 bolts	أَلْيَةُ قفل الخِزانة (تربايس)
24 armour-plated (<i>Am.</i> armor-plated) lock area	منطقة قفل مَدْرَعَةٌ
25 confidential documents	مستندات سرّية
26 patent	براءة اختراع
27 petty cash	نقد الترتيبات
28 picture	صورة
29 bar (drinks cabinet)	بار (صُوان المشروبات)
30 bar set	طاقم أكواب البار
31-36 conference grouping	طاقم حجره الاجتماعات
31 conference table	طاولة الاجتماعات
32 pocket-sized dictating machine, a micro-cassette recorder	مِلَمَلَةٌ صغيرة للجيب ، جِهَازٌ تسجيل صغير
33 ashtray	مِبْفَضَةُ السجائر
34 corner table	طاولة الزاوية
35 table lamp	مصباح الطاولة (أباجورة)
36 two-seater sofa [part of the conference grouping]	كَنْبَةٌ ذات مَعْدَنَيْنِ [جزء من طاقم حجره الاجتماعات]

المَكْتَبُ (3)

247 Office III	المَكْتَبُ (3)
1-44 office equipment (office supplies, office materials)	المستلزمات المكتبية
1, 2 paper clips	مَشَابِكُ وِرْقٍ
3 punch	خِزانة الورق
4 stapler (stapling machine)	دباسة
5 anvil	سَدَان
6 spring-loaded magazine	مَحْزَنٌ محمول على نابض
7 type-cleaning brush	فُرْشاة تنظيف حروف الآلة الكاتبة
8 type cleaner (type-cleaning kit)	طاقم تنظيف أحرف الآلة الكاتبة
9 fluid container (fluid reservoir)	وعاء السائل
10 cleaning brush	فُرْشاة تنظيف
11 felt tip pen	قلم حبر ذو سن لبادي
12 correcting paper [for typing errors]	ورق تصحيح [الأخطاء الطباعية]
13 correcting fluid [for typing errors]	سائل تصحيح [الأخطاء الطباعية]

المَكْتَبُ (2)

1-36 executive's office	مَكْتَبُ المَسْئُولِ التنفيذي
1 swivel chair	كُرْسِيٌّ دَوَّارٌ
2 desk	مَكْتَبٌ
3 desk top	سطح المَكْتَبِ
4 desk drawer	دُرْجُ المَكْتَبِ
5 cupboard (storage area) with door	صُوانٌ له باب ، الدراج الكبير
6 desk mat (blotter)	نَشَاقَةُ المَكْتَبِ
7 business letter	خطاب تجاري
8 appointments diary	يُومِيَّةٌ تسجيل المواعيد
9 desk set	طاقم المَكْتَبِ
10 intercom (office intercom)	جِهَازُ اتصال داخلي (انتر كوم مكثبي)
11 desk lamp	مِصْبَاحُ المَكْتَبِ
12 pocket calculator	آلة حاسبة للجيب

communication card	لُوحُ القاعدة
14 PC tower interior view	ذراع الوصول (جِهَازُ التشغيل)
15-67 peripherals	رأس القراءة أو الكتابة
15-32 built-in devices	مَحْرَكُ إدارة الأسطوانات الألو منيوم
15 keyboard	أسطوانات ألو منيوم مُمَغْنَطَةٌ
16 function keys	مَحْرَكُ إدارة رأس القراءة أو الكتابة
17 letter keys and number keys (numeric keys)	ناقل البيانات والعناوين وأوامر التحكم ووحدة الشريط المَغْنَطِ
18 enter key (return key)	شريط مَغْنَطِ
19 cursor keys	بكرة الشريط المَغْنَطِ
20 number [key] pad (numeric [key] pad)	كاسيت الشريط المَغْنَطِ
21 mouse	عمود إدارة
22 mouse buttons	شريط إدارة
23 trackerball (trackball)	مَحْرَكُ إدارة
24 handrest	أجهزة الإخراج
25 roller ball	شاشة ، شاشة مَلُونَةٌ عالية الوضوح
26 digitizing tablet (digitizer; also: graphics tablet)	شريط مَغْنَطِ
27 graphics area	بكرة الشريط المَغْنَطِ
28 cross hairs	كاسيت الشريط المَغْنَطِ
29 receiving grids	عمود إدارة
30 scanner	شريط إدارة
31 control panel with function keys	مَحْرَكُ إدارة
32 scanning surface	أجهزة تخزين ذات سعة كبيرة (ذاكرات مغناطيسية)
33-59 mass storage devices (magnetic stores, magnetic memories)	مَشغَلات الأقراص
33-44 disk drives (drives, floppy disk drives)	مَشغَلات القرص المرن
33 minifloppy disk drives (5 1/4 inch [floppy] disk drive)	المصغر (مشغل قرص 5.25 بوصة)
34 latch	سَقَابَةٌ
35 microfloppy disk drive (3 1/2 inch [floppy] disk drive)	مَشغَلُ القرص المرن الصغير (مشغل قرص 3.5 بوصة)
36-44 diskettes (disks, floppy disks, floppies)	الأقراص المرنة الصغيرة
36 minifloppy (minifloppy disk, 5 1/4 inch disk, flexible disk)	قُرْصٌ مَرْنٌ مَصغُرٌ (قرص 5.25 بوصة)
37 label	بطاقة العنوان
38 write-protect notch	فُرْزَةٌ حماية الكتابة
39 hole for engaging the drive hub	ثَقْبٌ لتطبيق صُرَّةِ بكرة الشريط المغناطيسي
40 registration hole	ثَقْبُ التَّأطِيرِ
41 disk cover (envelope)	ظرف القُرْصِ
42 access slot for the read-write head	حَبْرُ الوصول إلى رأس القراءة أو الكتابة
43 microfloppy (3 1/2 inch [floppy] disk)	قُرْصٌ مَرْنٌ صغير (قرص 3.5 بوصة)
44 sliding shutter	مِغْلَاقٌ انزلاقي
45 fixed-disk drive (fixed disk, hard disk)	مَشغَلُ القُرْصِ الثابت (القرص الصلب)

14 electronic pocket calculator	آلة حاسبة إلكترونية للجيب
15 eight-digit fluorescent display	شاشة عرض مضئية سعة ثمانية أرقام
16 on/off switch	مفتاح التشغيل/الإيقاف
17 function keys	مفاتيح العمليات
18 number keys	مفاتيح الأرقام
19 decimal key	مفتاح العلامة العشرية
20 'equals' key	مفتاح علامة =
21 instruction keys (command keys)	مفاتيح التعليمات/الأوامر
22 memory keys	مفاتيح الذاكرة
23 percent key (percentage key)	مفتاح النسبة المئوية
24 π-key (pi-key) for mensuration of circles	مفاتيح حساب مساحة وأحجام الدوائر
25 pencil sharpener	مبارة الأقلام الرصاص
26 typewriter rubber	مخنقة الآلة الكاتبة
27 adhesive tape dispenser	أداة سحب الشريط اللاصق
28 adhesive tape holder (roller-type adhesive tape dispenser)	حامل الشريط اللاصق
29 roll of adhesive tape	بكرة شريط لاصق
30 tear-off edge	حافة قطع الشريط اللاصق
31 moistener	وعاء إسفنجية الترطيب
32 desk diary	يومية مكتب
33 date sheet (calendar sheet)	ورقة التاريخ، ورقة تقويم
34 memo sheet	ورقة كتابة المذكرات
35 ruler	مسطرة
36 centimetre and millimetre (Am. centimeter and millimeter) graduations	تدرج السنتيمتر والميليمتر
37 file (document file)	حافظة مستندات
38 spine label (spine tag)	بطاقة كعب الحافظة
39 finger hole	فتحة إصبع
40 arch board file	حافظة ذات لوح قوسي
41 arch unit	وحدة قوسية
42 release lever (locking lever, release/lock lever)	ذراع اعتاق / قفل المشبك القوسي
43 compressor	لوح ضاغط
44 bank statement (statement of account)	كشف حساب من البنك

248 Office IV	المكتب (4)
1-48 open plan office	مكتب مفتوح المساحات
1 partition wall (partition screen)	جدار فاصل، حاجز
2 filing drawer with suspension file system	درج حفظ الملفات مزود بنظام لتعليق الملفات
3 suspension file	ملف علاقي
4 file tab	لسان الملف
5 file (document file)	حافظة مستندات
6 filing clerk	كاتبة الملفات
7 clerical assistant	مُساعدة كاتبة الملفات
8 note for the files	مذكرة يتم وضعها بالملف
9 telephone	تليفون، هاتف

10 filing shelves	رفق حفظ الملفات
11 clerical assistant's desk	مكتب مساعدة الكاتبة
12 office cupboard	صوان مكتبي
13 plant stand (planter)	حامل النباتات، حوض نباتات
14 indoor plants (house-plants)	نباتات ظل (بنباتات منزلية)
15 programmer	مترجم الكمبيوتر
16 data display terminal (visual display unit)	طرفية عرض البيانات (وحدة عرض مرئي)
17 customer service representative	ممثل خدمة العملاء
18 customer	عميل (زبون)
19 computer-generated design	تصميم على الكمبيوتر
20 sound-absorbing partition	حاجز ماص للصوت
21 typist	طابع على الآلة الكاتبة
22 typewriter	آلة كاتبة
23 filing drawer	درج حفظ الملفات
24 customer card index	فهرس بطاقات العملاء
25 office chair, a swivel chair	كرسي المكتب، كرسي دوار
26 typing desk	مكتب الطابعة على الآلة الكاتبة
27 card index box	صندوق فهرس البطاقات
28 multi-purpose shelving	أرفف متعددة الأغراض
29 proprietor	مالك/صاحب المؤسسة
30 business letter	خطاب تجاري
31 proprietor's secretary	سكرتير صاحب المؤسسة
32 shorthand pad (Am. steno pad)	إضامنة ورق الاختزال
33 audio typist	طابع صوتية
34 dictating machine	المملاة، الدكتافون
35 earphone	سماعة الأذن
36 statistics chart	مخطط إحصائي
37 pedestal containing a cupboard or drawers	قاعدة أثاث تحتوي على خزانة أو أدراج
38 sliding-door cupboard	خزانة ذات باب انزلاقي
39 office furniture arranged in an angular configuration	أثاث مكتبي في ترتيب زاوي
40 wall-mounted shelf	رفق معلق بالجدار
41 letter tray	صينية الخطابات
42 wall calendar	روزنامة حائط، نتيجة حائط
43 data centre (Am. center)	مركز المعلومات
44 calling up information on the data display terminal (visual display unit)	استدعاء المعلومات على طرفية عرض البيانات
45 waste paper basket	سلة المهملات
46 sales statistics	إحصائيات المبيعات
47 EDP print-out, a continuous fan-fold sheet	ورق طباعة للكمبيوتر مطوي على شكل مروحة
48 connecting element	قطعة توصيل

249 Office V (Office Machinery)	المكتب (5) معدّات مكتبية
1 electric typewriter, a	آلة كاتبة كهربائية

golf ball typewriter	نوعه المفايح
2-6 keyboard	لوحة المفاتيح
2 space bar	قضيب المبادعة بين الحروف والكلمات
3 shift key	مفاتيح الحروف العليا
4 line space and carrier return key	مفتاح المسافة بين الأسطر والانتقال إلى أول السطر التالي
5 shift lock	مفاتيح قفل مفتاح الحروف العليا
6 margin release key	مفتاح إطلاق الهامش الجانبي
7 tabulator key	مفتاح الجدولة
8 tabulator clear key	مفتاح إلغاء الجدولة
9 on/off switch	مفتاح التشغيل/الإيقاف
10 striking force control (impression control)	أداة التحكم في درجة (حبر) الطابعة
11 ribbon selector	أداة اختيار الشريط
12 margin scale	مقياس مدرج لتحديد الهامش
13 left margin stop	أداة إيقاف الهامش الأيسر
14 right margin stop	أداة إيقاف الهامش الأيمن
15 golf ball (spherical typing element) bearing the types	كرة الطابعة وتعمل الحروف الطباعية
16 ribbon cassette	علبة الشريط
17 paper bail with rollers	شحنة الورق على أسطوانة الآلة الكاتبة وعليها الأسطوانات
18 platen	أسطوانة الآلة الكاتبة نافذة الطابعة
19 typing opening (typing window)	ذراع تحرير الورقة
20 paper release lever	ذراع إعادة العربة
21 carrier return lever	مقبض أسطوانة الطابعة
22 platen knob	أداة تشغيل المسافة بين الأسطر
23 line space adjuster	ذراع تشغيل أسطوانة الآلة الكاتبة
24 variable platen action lever	أسطوانة آلة كاتبة انضغاطية
25 push-in platen variable	خند المحو
26 erasing table	غطاء شفاف
27 transparent cover	كرة الطابعة
28 exchange golf ball (exchange typing element)	حرف طباعي
29 type	غطاء كرة الطابعة
30 golf ball cap (cap of typing element)	أسنان
31 teeth	ماكينة تصوير
32 photocopier (copier, photocopying machine)	غطاء سطح التصوير وبه صينية خروج ورقة واحدة
33 copyboard cover with single-copy (single-sheet) delivery tray	كاسيت ورق عام
34 universal paper cassette	كاسيتات ورق انضغاطية
35 adjustable paper cassettes	باب أمامي
36 front door	وحد نقل رأسية مزدوجة
37 dual vertical transport	

unit	آلية فرار
38 sorter	صفايح خروج الشنخ المصورة
39 copy delivery bins	شاشات لوحة التحكم ومفاتيح التحكم
40-43 control panel displays and control keys	مفاتيح التكبير والتصغير واتقاء البرامج
40 enlargement, reduction, and program selection keys	مفاتيح انتقاء وظيفة الفرز وتصوير صفحتي الكتاب
41 sort mode and two-sided copy keys	شاشة عرض مزودة بمفاتيح انتقاء الألوان والتعرض للضوء وعدد المسح
42 display with colour, exposure, format, and copy number selection keys	مفتاح بدء التصوير
43 start key (copy start key)	ماكينة طي الخطابات
44 letter-folding machine	إلغام الورق
45 paper feed	آلية الطي
46 folding mechanism	لوحة استقبال الورق المطبوع
47 receiving tray	ماكينة طباعة أوفست صغيرة
48 small offset press	لوحة تغيم الماكينة بالورق ذراع تحبير أسطوانة السطح الطباعي
49 paper feed	وحدة تحبير
50 lever for inking the plate cylinder	طنبور توزيع الحبر
51-52 inking unit (inker unit)	أسطوانة التحبير
51 distributing roller (distributor)	آلية ضبط طنبور الطابعة (الطنبور الضاغط)
52 ink roller (inking roller, fountain roller)	وحدة استقبال الورق المطبوع
53 pressure adjustment	آلية تعديل سرعة الطابعة
54 sheet delivery (receiving table)	آلية ترخيص الورق
55 printing speed adjustment	رصة ورق
56 jogger for aligning the piles of sheets	ماكينة طي الورق
57 pile of paper (pile of sheets)	ماكينة تجميع ملازم
58 folding machine	
59 gathering machine (collating machine, assembling machine) for short runs	مخططة التجميع
60 gathering station (collating station, assembling station)	ماكينة تغليف كامل
61 adhesive binder (perfect binder) for hot adhesives	مملاة ذات شريط مغناطيسي
62 magnetic tape dictating machine	سماعة الأذن
63 headphones (headset, earphones)	مفتاح التشغيل/الإيقاف
64 on/off switch	

بلجيكا 100 فرنك
لكسمبورج أفرنك
هولندا 2 1/2 جلدري
الجلدر = 100 سنت

إيطاليا 200 ليرة
مدينة الفاتيكان 100 ليرة

أسيانيا 100
سنتيمو
البرتغال 100
استافو = 100
الدانمارك 100 = كرون

أور
السويد 100 = كرونة
أور

أور
النرويج 100 = كرون
أور

تشيكوسلوفاكيا 1 كورونا
100 هيلر
يوغسلافيا 1 دينار =
100 پارا

المملكة المتحدة لبريطانيا
العظمى وأيرلندا الشمالية
جنوبية إسترليني = 100
بنس

البومة [رمز مدينة أثينا]
إكليل قسطنطين الأعظم

عملة الإمبراطور فريديريك
الأول الأعظم
لويس الرابع عشر
بروسيا 1 رايشستالر
يحمل صورة فرديريك
الأعظم

جمهورية ألمانيا الاتحادية
100 مارك ألماني
بنك الإصدار

العلامة المائية (صورة)
شخص
قيمة العملة
الولايات المتحدة الأمريكية
1 دولار أمريكي = 100
سنت

صورة طبق الأصل من
التوقيع
خاتم مطبوع بالضغط
الرقم المسلسل

اليونان 1000 دراخمة
1 دراخمة = 100 لبتون

صورة لشخص
سك العملات المعدنية
سك العملة
قالبيا سك العملة

القالب العلوي
القالب السفلي
طوق

الأسمه بالبنك

توقيع رئيس مجلس
المحافظين

توقيع رئيس مجلس الإدارة

فرض كوبونات أرباح
الأسمه

كوبون ربع الأسمه

كعب فرض كوبونات الأرباح

النقود (العملات
المعدنية والأوراق
المالية)

العملات المعدنية
أنواعها ذهب، فضة،
نيكل، نحاس، ألومنيوم

أثينا الدراخمة الرباعية
التترادرخما

البومة [رمز مدينة أثينا]

إكليل قسطنطين الأعظم

عملة الإمبراطور فريديريك
الأول الأعظم

لويس الرابع عشر
بروسيا 1 رايشستالر
يحمل صورة فرديريك
الأعظم

جمهورية ألمانيا الاتحادية
5 ماركات ألمانية
1 مارك = 100 فنينش

وجه القطعة النقدية
الجانِب الآخر للعملة
ظهور القطعة النقدية
النقش المضروب على العملة
المعدنية
نقش (نقش حافة العملة)

شعار، شعار نبالة محلي

النمسا 25 شلنًا، 1 شلن =
100 جروش
شعار نبالة محلي

سويسرا 5 فرنكات
1 فرنك = 100 سنتيم

فرنسا 1 فرنك = 100
سنتيم

in bank's share register
(bank's stock ledger)

15 signature of the
chairman of the board
of governors

16 signature of the
chairman of the board
of directors

17 sheet of coupons
(coupon sheet, divi-
dend coupon sheet)

18 dividend warrant
(dividend coupon)

19 talon

252 Money (Coins
and Notes, Am.
Coins and Bills)
1-29 coins (coin, coinage,
metal money, specie,
Am. hard money);
kinds: gold, silver,
nickel, copper, or
aluminium, Am.
aluminium, coins

1 Athens: tetradrachm
(tetradrachmon,
tetradrachma)

2 the owl [emblem of the
city of Athens]

3 aureus of Constantine
the Great

4 bracteate of Emperor
Frederick I Barbarossa

5 Louis XIV louis-d'or

6 Prussia: 1 reichstaler
(speciestaler) of
Frederick the Great

7 Federal Republic of
Germany: 5
Deutschmarks (DM);
1 DM = 100 pfennigs

8 obverse

9 reverse (subordinate
side)

10 mint mark (mintage,
exergue)

11 legend (inscription on
the edge of a coin)

12 device (type), a provin-
cial coat of arms

13 Austria: 25 schillings;
1 sch = 100 groschen

14 provincial coats of
arms

15 Switzerland: 5 francs;
1 franc = 100 centimes

16 France: 1 franc = 100
centimes

قبول
بطاقة ائتمان "يورتشك"

24 Eurocheque card
بنك الإصدار (البنك
المسحوب عليه)

26 account number
رقم الحساب

27 card number
رقم البطاقة

28 hologram, a white light
hologram (rainbow
hologram)

29 (on the back:)
magnetic strip
شريط ممغنط (من الخلف)

بورصة الأوراق
المالية
بورصة الأوراق المالية
قاعة البورصة

سوق الأوراق المالية
مكتب السمسار

سمسار معتمد بالبورصة

سمسار سوق غير رسمية.

سمسار تجاري يتعامل في
الأوراق غير المدروجة
بالبورصة

وسيط في البورصة

وكيل بالبورصة، موظف
بنك

لوحة عرض الأسعار
مُحْتَضِر إرشادي

كشك التليفون (كشك الهاتف)

الأوراق المالية: أنواعها
أسهم، شهادات الدخّل
الثابت، شهادات الدخّل
السوي، صكوك، صكوك
أسهم، صكوك تجارية،
صكوك صناعية، صكوك
قابلة للتحويل

شهادة أسهم، هنا سهم
لحامه (ضمان أسهم)

سيفر التعادل أو السعّر
الاسمي للسهم

رقم مسلسل

رقم صفحة القيد في سجل

23 acceptance

24 Eurocheque card

25 issuing bank (drawee
bank)

26 account number

27 card number

28 hologram, a white light
hologram (rainbow
hologram)

251 Stock Exchange

1-10 stock exchange

1 exchange hall
(exchange floor)

2 market for securities

3 broker's post

4 sworn stockbroker
(exchange broker,
stockbroker, Am.
specialist), an inside
broker

5 kerbstone broker (kerb-
stoner, curbstoner,
broker, curbstoner,
outside broker), a com-
mercial broker dealing
in unlisted securities

6 member of the stock
exchange (stockjobber,
Am. floor trader, room
trader)

7 stock exchange agent
(boardman), a bank
employee

8 quotation board

9 index curve

10 telephone box (tele-
phone booth, telephone
kiosk, call box);

11-19 securities; kinds:
share (Am. stock),
fixed-income security,
annuity, bond, debenture
bond, municipal
bond (corporation
stock), industrial bond,
convertible bond

11 share certificate (Am.
stock certificate); here:
bearer share (share
warrant)

12 par (par value, nominal
par, face par) of the
share

13 serial number

14 page number of entry

65 microphone cradle
66 foot control socket

67 telephone adapter
socket

68 headphone socket
(earphone socket, head-
set socket)

69 microphone socket
70 built-in loudspeaker

71 indicator lamp
(indicator light)

72 cassette compartment

73 forward wind, rewind,
and stop buttons

74 time scale with
indexing marks

75 time scale stop

250 Bank

1-11 main hall

1 cashier's desk
(cashier's counter)

2 teller (cashier)

3 bullet-proof glass

4 service counters (for
service and advice on
savings accounts,
private and company
accounts, personal
loans)

5 bank clerk

6 customer

7 brochures

8 stock list (price list, list
of quotations)

9 information counter

10 foreign exchange
counter

11 entrance to strong
room

12 bill of exchange (bill);
here: a draft, an
acceptance (bank
acceptance)

13 place of issue

14 date of issue

15 place of payment

16 date of maturity (due
date)

17 bill clause (draft
clause)

18 value

19 payee (remittee)

20 drawee (payer)

21 drawer

22 domiciliation (paying
agent)

حامل الميكروفون
مقبس تحكم سفلي
مقبس مهاتبي الهاتف

مقبس سماعة الأذن

مقبس الميكروفون
مكبر صوت داخلي

لمبة إرشادية

حجرة شريط التسجيل
أزرار لف وتقديم وإيقاف
الشريط

مقياس زمني مدرج

أداة إيقاف المقياس الزمني

البنك/المصرف
القاعة الرئيسية
شباك الصراف

الصراف

زجاج مقاوم للرصاص

مكتب خدمة العملاء (التقديم
الخدمات المصرفية
والاستشارات الخاصة
بالحسابات الادخارية
وحسابات الأفراد
والشركات والقروض
الشخصية)

موظفة بالبنك

عميل

كتيبات

قائمة أسعار الأسهم
والأوراق المالية بالبورصة

كاونتر الاستعلامات

كاونتر صرف النقد الأجنبي
(استبدال العملة)

مدخل الغرفة المنيعنة (غرفة
حفظ النقاش والأموال)

ورقة تجارية، هنا
كبيالة، قبول مصرفي

مكان الإصدار

تاريخ الإصدار

مكان السداد

تاريخ الاستحقاق

شروط الكبيالة

القيمة
المدفوع له (المستفيد)

المسحوب عليه (دافع)

الكبيالة
الساحب

الوكيل الدافع

القوات المسلحة (1)
(الجيش)
أسلحة الجيش

الأسلحة اليدوية
مسدس بي 1
سبّانة، ماسورة
مسددة أمامية
الطارق، التت
الزناد
قبضة المسدس
حابس المخرن
الرشاش الخفيف إم بي 2
مسند الكف (الإخص،
الديسك)
غلاف آلية التعمير والإطلاق
جلبية تثبيت السبطانة/
الماسورة
ذراع التعمير
مسند اليد
ذراع سقاطة الأمان
مخرن الذخيرة
البندقية "جي 3 إيه 3"
ذاتية التعمير
كاتم الوميض
آلية الزناد
فتحة المسددة/الناشكاة
الخلفية
مجموعة المسددة الأمامية
والشميرة
إخص/ديسك البندقية
قاذف صواريخ خفيفة
طراز 2 44 إيه 1 مضادة
للديبابات
صاروخ (مقدوف)
سدادة تليسكوبية
مسند الخد
مدفع رشاش "إم جي 3"
مخفف الارتداد
قلاية تغيير الحصالة
أسلحة مدفعية محمولة
على عربات مدافع
متحركة
مدفع هوبيتز متحرك طراز
"إس إف إم 110 إيه 2"
عربة المدفع
عجلة الدفع
جنزير
عجلة السير على الطريق
يدن العربة
غارز الخاضن
مكبس غارز الحاضن
نظام هيدرولي

255 Armed Forces 1 (Army)
1-96 army armament
(army weaponry)
1-28 hand weapons
1 P1 pistol
2 barrel
3 front sight (foresight)
4 hammer
5 trigger
6 pistol grip
7 magazine holder
8 MP2 submachine gun
9 shoulder rest (butt)
10 casing (mechanism casing)
11 barrel clamp (barrel-clamping nut)
12 cocking lever (cocking handle)
13 palm rest
14 safety catch
15 magazine
16 G3-A3 self-loading rifle
17 flash hider (flash eliminator)
18 trigger mechanism
19 notch (sighting notch, rear sight)
20 front sight block (fore-sight block) with front sight (foresight)
21 rifle butt (butt)
22 44 2A1 light anti-tank rocket launcher
23 rocket (projectile)
24 telescopic sight (telescope sight)
25 cheek rest
26 MG3 machine gun (Spandau)
27 recoil booster
28 belt-changing flap
29-61 artillery weapons mounted on self-propelled gun carriages
29 SFM 110 A2 self-propelled howitzer
30-32 gun carriage
30 drive wheel
31 track
32 road wheel
33 hull
34 spade
35 spade piston
36 hydraulic system

نصف رجل، أيضا نصف امرأة
تويج، إكليل
شعار ملوك فرنسا (قديمًا)
غطاء شعار النبالة
حاملا الشعار
ثور
أحادي القرن (حصان خرافي)
شعار نبالة
درع المنتصف (درع القلب)
أقسام الرأس من 1 إلى 6
الجزء الأيمن من الرأس
الجزء العلوي من الرأس
الجزء الأسفل من شعار النبالة
قاعدة
الأصباغ
المعادن
ذهبي [أصفر]
فضي [أبيض]
أسود، غامق
أحمر
سماوي، لآزوردي
أخضر
ريش النعام
صوّلجان، عصا
نصف ماعز
أرياب مبارزات الفرسان
قرنا الجاموس
الخفاف (مخلوق خرافي)
مجموعة ريش الطاووس
الثَّيجان
والتَّوْجيات/الأكاليل
[طراز قاري]
تاج البابا المُرصع بالجواهر
التاج الإمبراطوري [إم أناميا حتى عام 1806]
تويج الدوق
تويج الأمير
تويج الناخب
التاج الملكي الإنجليزي
تويجات الرّيب
تويج البارونيتية
تويج البارونيتية
تويج الكونتية
تاج قمة سور المدينة

11 demi-man; also: demi-woman
12 crest coronet
13 fleur-de-lis
14 heraldic tent (mantling)
15-16 supporters (heraldic beasts)
15 bull
16 unicorn
17-23 blazon
17 inescutcheon (heart-shield)
18-23 quarterings one to six
18, 20, 22 dexter (right)
18-19 chief
19, 21, 23 sinister (left)
22-23 base
24-29 tinctures
24-25 metals
24 or (gold) [yellow]
25 argent (silver) [white]
26 sable
27 gules
28 azure
29 vert
30 ostrich feathers (treble plume)
31 truncheon
32 demi-goat
33 tournament pennons
34 buffalo horns
35 harpy
36 plume of peacock's feathers
37, 38, 42-46 crowns and coronets [continental type]
37 tiara (papal tiara)
38 Imperial Crown [German, until 1806]
39 ducal coronet (duke's coronet)
40 prince's coronet
41 elector's coronet
42 English Royal Crown
43-45 coronets of crown
43 baronet's coronet
44 baron's coronet (baronial coronet)
45 count's coronet
46 mauerkrone (mural crown) of a city crest

الحَرْفُ P، عَلمُ الإبحار ("على وشك الإبحار")
الحَرْفُ W ("I require medical assistance")
الحَرْفُ Z، راية بحرية مستطيلة
راية كودية، تستخدم في نظام الإشارات الدولي
الرايات البديلة، الرايات المثلثة
الرايات البحرية الرقمية
رقم 1
رقم صفر
أعلام الحمامك
راية قارب الحمامك
"السفينة أنهت الإجراءات الجمركية"
راية إشارة الحمامك
راية البارود ["شحنة قابلة للاشتعال"]
شعارات النبالة والتَّوْجيات وشعارات النبالة
شارات
رمز الإمارة أو الملك
شارة
إكليل الألوان
غطاء
خوذات
خوذة مائلة (خوذة المبارزة على ظهر الخيل)
درع
تويج أمير سُخْني
خوذة معدنية كروية
خوذة شبكية
خوذة ذات فتحة أمامية لها جزء متحرك
الشعارات الرّيجية
شعار نبالة الزّوج
شعار نبالة أسرة الرّوجة

26 P, the Blue Peter ("about to set sail")
27 W ("I require medical assistance")
28 Z, an oblong pennant (oblong pendant)
29 code pennant (code pendant), used in the International Signals Code
30-32 substitute flags (repeaters), triangular flags (pennants, pendants)
33-34 numeral pennants (numeral pendants)
33 number 1
34 number 0
35-38 customs flags
35 customs boat pennant (customs boat pendant)
36 'ship cleared through customs'
37 customs signal flag
38 powder flag
38 'inflammable (flammable) cargo'
254 Heraldry, Crowns and Coronets
1-36 heraldry (blazonry)
1, 11, 30-36 crests
1-6 coat-of-arms (achievement of arms, hatchment, achievement)
1 crest
2 wreath of the colours (Am. colors)
3 mantle (mantling)
4, 7-9 helmets (helms)
4 tilting helmet (jousting helmet)
5 shield
6 bend sinister wavy
7 pot-helmet (pot-helm, heaume)
8 barred helmet (grilled helmet)
9 helmet affronty with visor open
10-13 marital achievement (marshalled, Am. marshaled, coat-of-arms)
10 arms of the baron (of the husband)
11-13 arms of the family of the femme (of the wife)

قُرْصُ العَمَلَة
مكبس سَك العَمَلَة
الأعلام
علم الأمم المتحدة
صاري العلم يطوله قرص الحبال
الكُرْ حبل رفع العلم أو إنزاله
قماش راية مَلُون
علم المجلس الأوروبي
العلم الأولمبي
علم مُكس [رمز للحجاء]
العلم
صاري العلم
نقوش زخرفية
شريط طويل مَلُون
الطرف المدب لصاري العلم
قماش الراية المدبب
راية، بيرق
راية سلاح الفرسان
راية رئيس ألمانيا الاتحادية
الأعلام القومية
العلم البريطاني (بريطانيا العظمى)
العلم الفرنسي (فرنسا)
علم الدانمارك
علم الولايات المتحدة الأمريكية
الهلال (تُرْكيا)
الشمس المُشرقة (اليابان)
المطرقة والمبجل (علم اتحاد الجمهوريات الاشتراكية السوفيتية)
رايات الإشارات
رايات الحروف
الحَرْفُ A، علم مُركب تجاري
الحَرْفُ G، علم إرشاد السفن في العرافين
الحَرْفُ H ("التربيد على متن السفينة")
الحَرْفُ L ("يجب أن تتوقف، هناك رسالة هامة لك")

Community / مجتمع
43 coin disc (flan, planchet, blank)
44 coining press (minting press)
253 Flags
1-3 flag of the United Nations
1 flagpole (flagstaff) with truck
2 halyard (haliard, haul-yard)
3 bunting
4 flag of the Council of Europe
5 Olympic flag
6 flag at half-mast (Am. at half-staff) [as a token of mourning]
7-11 flag
7 flagpole (flagstaff)
8 ornamental stud
9 streamer
10 pointed tip of the flagpole
11 bunting
12 banner (gonfalon)
13 cavalry standard (flag of the cavalry)
14 standard of the German Federal President [ensign of head of state]
15-21 national flags
15 the Union Jack (Great Britain)
16 the Tricolour (Am. Tricolor) (France)
17 the Danebrog (Dannebrog) (Denmark)
18 the Stars and Stripes (Star-Spangled Banner) (USA)
19 the Crescent (Turkey)
20 the Rising Sun (Japan)
21 the Hammer and Sickle (USSR)
22-34 signal flags, a hoist
22-28 letter flags
22 letter A, a burgee (swallow-tailed flag)
23 G, pilot flag
24 H ('pilot on board')
25 L ('you should stop, I have something important to communicate')

37 elevating piston	مكبس ضبط الارتفاع
38 breech ring	حلقة التبراس
39 barrel	ماسورة، سبطانة
40 muzzle	فوهة الماسورة
41 buffer (buffer recuperator)	مخفف الارتداد
42 M 109 A3 G self-propelled howitzer	مدفع هاوتزر متحرك طراز "إم 109 إيه 3 جي"
43 armoured (Am. armored) turret	برج مدرع
44 fighting compartment	حجرة القتال
45 barrel clamp	جيلة تثبيت الماسورة
46 fume extractor	آلية إطلاق الدخان
47 barrel recuperator	جهاز ارتداد الماسورة
48 light anti-aircraft (AA) machine gun	رشاش خفيف مضاد للطائرات
49 SF Lance missile launch system (missile launcher)	نظام إطلاق صواريخ "إس إف لانس"
50 skirt	وقاء
51 tracked vehicle	عربة مجنزرة
52 missile (guided missile)	صاروخ (صاروخ موجه)
53 elevating gear	ترس ضبط الارتفاع
54 launching ramp	منصة إطلاق
55 I10 SF 2 rocket launcher	قاذف صواريخ طراز "I10 إس إف 2"
56 fire control system	نظام ضبط النيران
57 launching tubes	مواسير الإطلاق
58 tube bins	صناديق المواسير
59 turntable	صينية دوارة
60 jack	دعامة تثبيت رأسية
61 driver's cab	كابينة السائق
62-87 armoured (Am. armored) vehicles	عربات مدرعة
62 Leopard 2 tank	دبابة "ليوبارد 2"
63 smooth-barrelled gun	مدفع بماسورة لمساء
64 driver's hatch	حجيرة السائق
65 commander's periscope	بريسكوب القائد
66 smoke canister (smoke dispenser)	حاوية الدخان
67 Luchs armoured (Am. armored) reconnaissance vehicle, an amphibious vehicle	عربة استطلاع مدرعة طراز "لوكس"، عربة برمائية
68 cannon	مدفع
69 hatch	حجيرة
70 antenna	هوائي
71 propeller (for propulsion in water)	رفاص (للدفع في الماء)
72 Jagdpanzer Jaguar I ATGW vehicle (HOT)	عربة طراز "جايبنزر جاجوار I إيه تي جي دبليو"
73 guidance system (upper part) with guidance unit	نظام توجيه (الجزء العلوي) وبه وحدة التوجيه
74 HOT guided-missile launcher	قاذف صواريخ "هوت"
75 firing mechanism (upper part)	موجه آلية الإطلاق (الجزء العلوي)

76 commander's cupola	قبة القائد
77 Marder armoured (Am. armored) personnel carrier	ناقلة جنود مدرعة طراز "ماردر"
78 searchlight	ضوء كاشف
79 MILAN anti-tank guided-missile system	نظام "ميلان" للصواريخ الموجهة المضادة للدبابات
80 Fuchs armoured (Am. armored) personnel and load carrier, an amphibious vehicle	ناقلة جنود وأحمال مدرعة طراز "فوكس"، عربة برمائية
81 rear door	باب خلفي
82 Gepard anti-aircraft tank	دبابة "جيبارد" مضادة للطائرات
83 surveillance radar	رادار مراقبة
84 tracking radar for fire control	رادار التتبع الخاص بضبط النيران
85 twin 35 mm cannon	مدفع مزدوج عيار 35 ملم
86 M113 A1 G armoured personnel carrier	ناقلة جنود مدرعة طراز "إم 113 إيه 1"
87 machine gun on a traversing mount	مدفع رشاش على محمل التثبيت
88-96 helicopters	طائرات الهليكوبتر
88 CH-53 G transport helicopter	طائرة هليكوبتر للنقل طراز "سي إتش 53"
89 single rotor	مروحة مفردة
90 turbine	توربين
91 stabilizing tail rotor	مروحة ذيل الموازنة
92 fuselage	بدن الطائرة
93 cockpit	كابينة الطائرة
94 BO-105P anti-tank helicopter	مساندة دبابات طراز "بي أو 105 بي"
95 skid	زلاقة هبوط
96 HOT anti-tank guided-missile launcher	قاذف صواريخ "هوت" موجهة مضادة للدبابات

256 Armed Forces II (Air Force I)

1 McDonnell-Douglas F-4F Phantom II	طائرة متفحضة ومقاتلة قاذفة قنابل طراز "ساكويل-دوجلاس إف 4 إف فانتوم 2"
2 squadron marking	رمز السرب
3 aircraft cannon	مدفع الطائرة
4 wing tank (underwing tank)	مخزن ذخيرة الجناح (مخزن ذخيرة أسفل الجناح)
5 air intake	مص هواء
6 boundary layer control flap	قلاية تحكم الطبقة المتاخمة
7 in-flight refuelling (Am. refueling) probe (flight refuelling probe, air refuelling probe)	وحدة التزود بالوقود في الجو
8 Panavia 2000 Tornado multirole combat aircraft (MRCA)	طائرة قتالية طراز "بنافا 2000 تورنادو" متعددة المهام
9 swing wing	جناح أثار جيحي

10 radar nose (radome, radar dome)	مقدمة رادارية (قبة رادارية)
11 pitot-static tube (pitot tube)	أنبوب التوجيه والإرشاد
12 brake flap (air brake)	قلاية فرملة هوائية
13 afterburner exhaust nozzles of the engines	فوهات عادم المحركات
14 C160 Transall medium-range transport aircraft	طائرة نقل متوسطة المدى طراز "سي 160 ترنسأل"
15 undercarriage housing (landing gear housing)	مبيت عجلات الهبوط
16 propeller-turbine engine (turboprop engine)	محرك توربيني الدفع
17 antenna	هوائي
18 Bell UH-ID Iroquois light transport and rescue helicopter	طائرة هليكوبتر للإفقاذ والنقل الخفيف طراز "بل يو إتش - أي دي إروكوا"
19 main rotor	المروحة الرئيسية
20 tail rotor	مروحة الذيل
21 landing skids	مزلقات الهبوط
22 stabilizing fins (stabilizing surfaces, stabilizers)	زعانف الموازنة الجانبية
23 tail skid	مزلقة الذيل
24 Dornier DO 28 D-2 Skyservant transport and communications aircraft	طائرة إصصالات ونقل طراز "دورنيير دو 28 دي أو سكاى سرفنت"
25 engine pod	مقر المحرك
26 main undercarriage unit (main landing gear unit)	وحدة آلية الهبوط الرئيسية
27 tail wheel	عجلة المؤخرة (عجلة الذيل)
28 sword antenna	هوائي سيفي

257 Armed Forces III (Air Force II)

1-41 Dornier-Dassault-Breguet Alpha Jet	طائرة تدريب ثقاتة طراز دورنيير-دو سولت - بريجيت ألفا جيت فرانكو - جرمان
1 pitot-static tube (pitot tube)	أنبوب التوجيه والإرشاد
2 oxygen tank	خزان الأكسجين
3 forward-retracting nose wheel	عجلة المقدمة قابلة للطي
4 cockpit canopy (cockpit hood)	قبة كابينة الطيار
5 canopy jack	مرفاع القبة
6 pilot's seat (student pilot's seat), an ejector seat (ejection seat)	مقعد الطيار، مقعد قاذف
7 observer's seat (instructor's seat), an ejector seat (ejection seat)	مقعد المراقب (مقعد المدرس)، مقعد قاذف

8 control column (control stick)	عمسا التحكم
9 thrust lever	عتلة الدفع
10 rudder pedals with brakes	دوأسات الدفة وبها المكابح
11 front avionics bay	خجيرة إلكترونيات الطيران الأمامية
12 air intake to the engine	مدخل الهواء إلى المحرك
13 boundary layer control flap	قلاية تحكم الطبقة المتاخمة
14 air intake duct	فتحة دخول الهواء (الممص)
15 turbine engine	محرك توربيني
16 reservoir for the hydraulic system	خزان النظام الهيدرولي
17 battery housing	خجيرة البطاريات
18 rear avionics bay	خجيرة إلكترونيات الطيران الخلفية
19 baggage compartment	خجيرة الأمتعة
20 triple-spar tail construction	عضد الذيل الثلاثي
21 horizontal tail	ذيل أفقي
22 servo-actuating mechanism for the elevator	آلية تشغيل موازنة لجهاز الارتفاع
23 servo-actuating mechanism for the rudder	آلية تشغيل موازنة للدفة
24 brake chute housing (drag chute housing)	حجيرة مظلة الكبح
25 VHF (very high frequency) antenna (UHF antenna)	هوائي تردد عال جداً (هوائي تردد فائق العلو)
26 VOR (very high frequency omnidirectional range) antenna	هوائي لجميع الاتجاهات ذو تردد عال جداً
27 twin-spar wing construction	جناح ذو عضد ثنائي
28 former with integral spars	قلاوب ذو أعضاء متكاملة
29 integral wing tanks	خزانات ثابتة بالجناح
30 centre-section (Am. center-section) fuel tank	خزان وقود بوسط الطائرة
31 fuselage tanks	خزانات جسم الطائرة
32 gravity fuelling (Am. fueling) point	نقطة تزود بوقود الجاذبية
33 pressure fuelling (Am. fueling) point	نقطة تزود بوقود الضغط
34 inner wing suspension	تعليق الجناح الداخلي
35 outer wing suspension	تعليق الجناح الخارجي
36 navigation lights (position lights)	أضواء الملاحة (أضواء توضع موقع الطائرة)
37 landing lights	أضواء الهبوط
38 landing flap	قلاية الهبوط
39 aileron actuator	مشغل الجنيح
40 forward-retracting main undercarriage unit (main landing gear unit)	وحدة آلية الهبوط الرئيسية
41 undercarriage hydraulic	الأسطوانة الهيدروليكية لآلية

عصا التحكم	عتلة الدفع	دوأسات الدفة وبها المكابح	خجيرة إلكترونيات الطيران الأمامية	مدخل الهواء إلى المحرك	قلاية تحكم الطبقة المتاخمة	فتحة دخول الهواء (الممص)	محرك توربيني	خزان النظام الهيدرولي	خجيرة البطاريات	خجيرة إلكترونيات الطيران الخلفية	خجيرة الأمتعة	عضد الذيل الثلاثي	ذيل أفقي	آلية تشغيل موازنة لجهاز الارتفاع	آلية تشغيل موازنة للدفة	حجيرة مظلة الكبح	هوائي تردد عال جداً (هوائي تردد فائق العلو)	هوائي لجميع الاتجاهات ذو تردد عال جداً	جناح ذو عضد ثنائي	قلاوب ذو أعضاء متكاملة	خزانات ثابتة بالجناح	خزان وقود بوسط الطائرة	خزانات جسم الطائرة	نقطة تزود بوقود الجاذبية	نقطة تزود بوقود الضغط	تعليق الجناح الداخلي	تعليق الجناح الخارجي	أضواء الملاحة (أضواء توضع موقع الطائرة)	أضواء الهبوط	قلاية الهبوط	مشغل الجنيح	وحدة آلية الهبوط الرئيسية	الأسطوانة الهيدروليكية لآلية
------------	------------	---------------------------	-----------------------------------	------------------------	----------------------------	--------------------------	--------------	-----------------------	-----------------	----------------------------------	---------------	-------------------	----------	----------------------------------	-------------------------	------------------	---	--	-------------------	------------------------	----------------------	------------------------	--------------------	--------------------------	-----------------------	----------------------	----------------------	---	--------------	--------------	-------------	---------------------------	------------------------------

cylinder (landing gear hydraulic cylinder)	الهبوط	34 depth-charge thrower	قاذف قنابل الأعماق	73 40 mm anti-aircraft (AA) gun	مدفع عيار 40 ملم مضاد للطائرات	8 radar antenna (radar scanner)	هوائي راداري
		35 weapon system radar	رادار نظام التسليم	74 propeller guard moulding (<i>Am. molding</i>)	قالب وقاء الرافاص	9 fully enclosed bow	جَوْجُو مَغْلَقٌ بالكامل
		36 radar antenna (radar scamer)	هوائي المسح الراداري	75 type 143 missile-firing fast attack craft	زُورُق صواريخ هجومي سريع فئة 143 حائل الأمواج	10 deck crane	مرفاع السطح
258 Warships I	السُّفُن الحَرْبِيَّة (1)	37 optical rangefinder	جهاز تحديد المدى البصري	76 breakwater (<i>Am. manger board</i>)	الرادوم (قبة الرادار)	11 transom stern	كُوَئِلُ برافدة أفقية
1 Hamburg class guided-missile destroyer	مدمرة طراز "هامبورج" تحمل صواريخها موجهة	38 Lütjens class guided-missile destroyer	مدمرة فئة "لوتشن" محملة بصواريخ موجهة	77 radome (radar dome)	ماسورة الطوربيد	12-20 deck plan	مخطط السطح
2 hull of flush-deck vessel	بدن السفينة المستوية السطح	39 bower anchor	مرساة مقدم السفينة	78 torpedo tube	مسرب خروج العادم	12 angle deck (flight deck)	سطح زاوي (سطح الطيران)
3 bow (stem)	مقدم السفينة (الجؤجؤ)	40 propeller guard	وقاء الرافاص	79 exhaust escape flue	صاندة الغام طراز 331	13 aircraft lift (<i>Am. aircraft elevator</i>)	مرفعة الطائرات
4 flagstaff (jackstaff)	صاري العلم (الراية)	41 tripod lattice mast	صاري شبكي على حامل ثلاثي	80 type 331 mine hunter	ألواح احتكاك مقواة	14 twin launching catapult	مجنقة مزدوجة
5 anchor, a stockless anchor (patent anchor)	مرساة	42 pole mast	عمود الصاري	81 reinforced rubbing strake	قارب فحاصي	15 hinged (movable) baffle board	لوح حاجز مفصلي متحرك
6 anchor capstan (windlass)	رَحْوِيَّة المرساة (مرفاع المرساة)	43 ventilator openings (ventilator grill)	فتحات تهوية (شبكة التهوية)	82 inflatable boat (inflatable dinghy)	داوودي	16 arrester wire	سلك كايح/موقف
7 breakwater (<i>Am. manger board</i>)	حائل الأمواج	44 exhaust pipe	ماسورة العادم	83 davit	كاسحة الغام طراز 341	17 emergency crash barrier	حاجز ارتطام للطوارئ
8 chine strake	صفيفة ألواح ذات حافة	45 ship's boat	قارب السفينة	84 type 341 minesweeper	مرفاع كيبي	18 safety net	شبكة أمان
9 main deck	السطح الرئيسي	46 antenna	هوائي	85 cable winch	مرفاع ماكينة السحب/القطر	19 caisson (cofferdam)	قيسون
10-28 superstructures	أجزاء السفينة فوق السطح الرئيسي	47 radar-controlled 127 mm all-purpose gun in turret	مدفع برجي لجميع الأغراض عيار 127 ملم	86 towing winch (towing machine, towing engine)	جِرَافَة الأغلام (جهاز كسح الألغام)	20 eight-barrel anti-aircraft (AA) rocket launcher (missile launcher)	قاذف صواريخ مضادة للطائرات ثماني المواسير
10 superstructure deck	سطح التجهيزات العلوية	48 127 mm all-purpose gun in turret	مدفع عيار 127 ملم لجميع الأغراض	87 mine-sweeping gear (paravanes)	مرفاع كيبي (داوودي)	21 <i>Kara class</i> rocket cruiser (missile cruiser) (USSR)	زُورُق صواريخ فئة "كارا" (الاتحاد السوفيتي)
11 life rafts	ألواح النجاة	49 launcher for Tartar missiles	قاذف صواريخ "تارتار"	88 crane (davit)	صندل إنزال فئة "بارب"	22 hull of flush-deck vessel	بدن سفينة بسطح مستو
12 cutter (ship's boat)	زُورُق سريع	50 anti-submarine rocket (ASROC) launcher (missile launcher)	قاذف صواريخ مضادة للغواصات (أسروك)	89 Barbe class landing craft	سليم الإنزال الأمامي	23 sheer	مُشَدَّر
13 davit (boat-launching crane)	إنزال قوارب النجاة (داوودي) (وش رفيع أو إنزال قوارب النجاة)	51 fire control radar antennas	هوائيات رادار ضبط الطيران	90 bow ramp	سليم الإنزال الخلفي	24 twelve-barrel underwater salvo rocket launcher (missile launcher)	قاذف صواريخ تحت الماء ذو 12 ماسورة
14 bridge (bridge superstructure)	منصة رِبان السفينة (القيادة)	52 radome (radar dome)	الرادوم (قبة الرادار)	91 stern ramp	سفينة تموين صغير طراز "راين"	25 twin anti-aircraft (AA) rocket launcher (missile launcher)	قاذف صواريخ مضادة للطائرات مزدوج
15 side navigation light (side running light)	ضوء ملاحه جانبي	53 Bremen class frigate	فُرَقاطة فئة "بريمن"	92 Rhein class tender	سفينة إسناد فئة "لونبيرج"	26 launching housing for 4 short-range rockets (missiles)	مبيت إطلاق أربعة صواريخ قصيرة المدى
16 antenna	هوائي	54 radar-controlled 76 mm rapid-fire gun	مدفع سريع الطيران عيار 76 ملم يتم التحكم فيه رادارياً	93 Lüneberg class support ship	ناقلة الأغلام فئة "زاكسفالد"	27 baffle board	لوح حاجز
17 radio direction finder (RDF) frame	محدد اتجاه اللاسلكي	55 Sea Sparrow surface-to-air missiles	صواريخ سطح-جو طراز "سي سبارو"	94 Sachsenwald class mine transport	سفينة قطر للإنقاذ طراز "هلجولاند"	28 bridge	منصة الرِبان (بُرج القيادة)
18 lattice mast	صاري شبكي	56 radar and fire control system	نظام الرادار و ضبط الطيران	95 Helgoland class salvage tug	سفينة الإمداد بالمون والوقود "إيفيل"	29 radar antenna (radar scamer)	هوائي الرادار
19 forward funnel	مدخنة أمامية	57 Harpoon surface-to-surface missiles	صواريخ سطح-سطح طراز "هاربون"	96 replenishing tanker "Eifel"		30 twin 76 mm anti-aircraft (AA) gun turret	بُرج مدفع مزدوج مضاد للطائرات عيار 76 ملم
20 aft funnel	مدخنة خلفية	58 funnel	مدخنة	259 Warships II (Modern Fighting Ships)		31 turret	بُرج
21 cowl	طربوش المدخنة	59 cowl	طربوش المدخنة	1 nuclear-powered aircraft carrier <i>Nimitz ICVN 68</i> (USA)		32 funnel	مدخنة
22 aft superstructure (poop)	أجزاء السفينة الخلفية فوق السطح الرئيسي	60 air/surface search radar	رادار تتقذ جو/أرض	2-11 body plan		33 twin anti-aircraft (AA) rocket launcher (missile launcher)	قاذف صواريخ مضادة للطائرات مزدوج
23 capstan	رَحْوِيَّة	61 cutter	زُورُق سريع	2 flight deck		34 automatic anti-aircraft (AA) gun	مدفع آلي مضاد للطائرات
24 companion ladder (companionway, companion hatch)	سلم داخلي	62 close-range surface-to-air missiles	صواريخ سطح-جو للمدى القريب	3 island (bridge)		35 ship's boat	قارب السفينة
25 ensign staff	صاري الراية	63 helicopter deck	سطح هبوط الهليكوبتر	4 aircraft lift (<i>Am. aircraft elevator</i>)		36 underwater 5-torpedo housing	مبيت تحت الماء لعدد خمس قذائف طوربيد
26 stern, a transom stern	الكُوئِلُ مؤخرة السفينة	64 type 206 submarine	غواصة فئة 206	5 eight-barrel anti-aircraft (AA) rocket launcher (missile launcher)		37 underwater 6-salvo rocket launcher (missile launcher)	قاذف صواريخ تحت الماء لعدد ست صليقات
27 waterline	خط الماء	65 flooded foredeck	سطح أمامي غاطس	6 pole mast (antenna mast)		38 helicopter hangar	حظيرة الهليكوبتر
28 searchlight	أنوار كاشفة	66 pressure hull	بدن يتحمل ضغط المياه	7 antenna		39 helicopter landing platform	منصة هبوط الهليكوبتر
29-37 armament	التسليح	67 turret	بُرج الفؤاصة				
29 100 mm gun turret	بُرج مدفع عيار 100 ملم	68 retractable instruments	آلات قابلة للطي				
30 four-barrel anti-submarine rocket launcher (missile launcher)	قاذف صواريخ مضادة للغواصات رباعي	69 type 148 missile-firing fast attack craft	زُورُق صواريخ هجومي سريع فئة 148				
31 40 mm twin anti-aircraft (AA) gun	مدفع مزدوج مضاد للطائرات عيار 40 ملم	70 76 mm all-purpose gun with turret	مدفع عيار 76 ملم لكافة الأغراض محمول على بُرج حامل إطلاق الصواريخ				
32 MM 38 anti-aircraft (AA) rocket launcher (missile launcher) in launching container	قاذف صواريخ إم إم 38 مضادة للطائرات في حبيرة الإطلاق	71 missile-launching housing	بيت سطح السفينة				
33 anti-submarine torpedo tube	ماسورة طوربيد مضاد للغواصات	72 deckhouse					

40 variable depth sonar (VDS)	سونار سَبْر الأعماق	[for torpedoes]	أُتْيُوب الطوربيد	24 pen and pencil tray	صينية الأقلام الجبر والرصاص	67-80 pupils' (children's) work	أشغال التلاميذ
41 California class rocket cruiser (missile cruiser) (USA)	زُورق صواريخ طراز "كاليفورنيا" (الولايات المتحدة الأمريكية)	80 bow bilge	جَمَة الجَوَاحِز	25 desk mat (blotter)	سَافَة المَكْتَب	67 clay models (models)	نماذج من الصلصال
42 hull	بَدَن القارب	81 anchor	مِرْسَاة	26 window painting with finger paints (finger painting)	طَلَاء النافذة بأقلام مَلَوْنَة	68 window decoration of coloured (Am. colored) glass	زُخْرَفَة نافذة من الزُجاج المَلَوْن
43 forward turret	بَرْج أمامي	82 anchor winch	وَش المِرْسَاة	27 pupils' (children's) paintings (watercolours, Am. watercolors)	رسومات التلاميذ	69 glass mosaic picture (glass mosaic)	فُسَيْسَاء زُجاج
44 aft turret	بَرْج خلفي	83 battery	بَطارية	28 cross	صَلِيب	70 mobile	لُغْبَة تعليق
45 forward superstructure	أجزاء السفينة الأمامية	84 living quarters with folding bunks	عناير معيشة بها أسرة قابلة للطي	29 three-part blackboard	سَبُورَة ثَلَاثِيَّة	71 paper kite (kite)	طائرة ورقيّة
46 landing craft	زُورق الإنزال	85 commanding officer's cabin	كابينَة ضابط القيادة	30 bracket for holding charts	كُتِفَة حَمَل الرَسُوم البيانيّة	72 wooden construction	بِنَاء خَشبي
47 antenna	هوائي	86 main hatchway	فتحة أرضية القارب الرئيسية	31 chalk ledge	حافة وَضَع الطباشير	73 polyhedron	مُجَسَّم مُعَدّد الأسطُح
48 radar antenna (radar scanner)	هوائي راداري	87 flagstaff	عمود الراية	32 chalk	طباشير	74 hand puppets	دُمَيّات يدويّة
49 radome (radar dome)	قبة رادارية	88-91 retractable instruments	معدات قابلة للضم	33 blackboard drawing	رسم على السبورة	75 clay masks	أقنعة من الصلصال
50 surface-to-air rocket launcher (missile launcher)	قاذف صواريخ سطح-جوّ	88 attack periscope	بريسكوب الهجوم	34 diagram	رسم تخطيطي	76 cast candles (wax candles)	شمعدان مصبوب
51 underwater rocket launcher (missile launcher)	قاذف صواريخ تحت الماء	89 antenna	هوائي	35 reversible side black-board	سبورة قابلة	77 wood carving	نحت خشبي
52 127 mm gun with turret	مدفع بُرجي عيار 127 ملم	90 snorkel (schnorkel)	سُنُورِكِل	36 projection screen	شاشة فانوس الإسقاط	78 clay jug	إبريق من الصلصال
53 helicopter landing platform	منصة هبوط الهليكوبتر	91 radar antenna (radar scanner)	هوائي رادار	37 triangle	مثلث	79 geometrical shapes made of clay	أشكال هندسيّة مصنوعة من الصلصال
54 nuclear-powered fleet submarine	غواصة أسطول نووية	92 exhaust outlet	ماسورة خروج العادم	38 tractor	مفكّلة	80 wooden toys	لُعب خشبيّة
55-74 middle section [diagram]	القسم الأوسط [رسم تخطيطي]	93 heat space (hot-pipe space)	مكان أوتب التدفئة	39 divisions	تدرّج المقلّة	81 materials	مواد
55 pressure hull	بدن يتحمل الضغط	94 diesel generators	مولّدات تعمل بالديزل	40 blackboard compass	فُرْجَار السبورة	82 stock of wood	رصة أخشاب
56 auxiliary engine room	غرفة المحرك المساعد	95 aft diving plane and vertical rudder	سطح الغوص الخلفي والذفة الرأسية	41 sponge tray	صينية إسفنجيّة مسح السبورة	83 inks for wood cuts	حبر للمصنوعات الخشبيّة
57 rotary turbine pump	مضخة توربينية دوّارة	96 forward vertical rudder	الذفة الرأسية الأمامية	42 blackboard sponge (sponge)	إسفنجيّة مسح السبورة	84 paintbrushes	فُرَش الكُورين
58 steam turbine generator	مولّد توربيني بخاري			43 classroom cupboard	خزانة خزانة الدّراسة	85 bag of plaster of Paris	جوال جص باريس
59 propeller shaft	عمود الرفاص	260 School I (Primary School)	المدرسة (1) (المدرسة الابتدائية)	44 map (wall map)	خريطة (خريطة حائط)	261 School II (Secondary School, High School)	المدرسة (2) (المدرسة الثانوية)
60 thrust block	كتلة الدّفع	1-85 primary school	مدرسة ابتدائية	45 brick wall	حائط من قوالب الطوب	1-45 grammar school;	مدرسة متوسطة،
61 reduction gear	تروس تقليل السرعة	1-45 classroom	خزانة الدّراسة	46 workbench	طاولة الشغل	<i>also:</i> upper band of a comprehensive school (Am. alternative school)	مدرسة ثانوية
62 high and low pressure turbine	توربين ضغط عال ومنخفض	1 arrangement of desks in a horseshoe	ترتيب المقاعد على شكل خنّوة فرس	47 vice (Am. vise)	ملزمة	1-13 chemistry	الكيمياء
63 high-pressure steam pipe for the secondary water circuit (auxiliary water circuit)	ماسورة بخار ضغط عال لدائرة الماء الثانوية	2 double desk	مقعد مزدوج	48 vice (Am. vise) bar	ذراع المِلزمة	1 chemistry lab (chemistry laboratory) with tiered rows of seats	معمل الكيمياء مجهز بصفوف تصاعديّة من المقاعد
64 condenser	مكثف	3 pupils (children) in a group (sitting in a group)	تلاميذ يجلسون كمجموعة	49 scissors	مقص	2 chemistry teacher	مُدرّس الكيمياء
65 primary water circuit	دائرة الماء الرئيسية	4 exercise book	كتاب التمارين	50-52 working with glue (sticking paper, cardboard, etc.)	المشغل بالضمغ	3 demonstration bench (teacher's bench)	طاولة الشروح المعملية
66 heat exchanger	مبادل حراري	5 pencil	قلم رصاص	50 surface to be glued	سطح سيتم تصميغه	4 water pipe	أوتب ماء
67 nuclear reactor casing (atomic pile casing)	غلاف مفاعل نووي	6 wax crayon	قلم ألوان شمّع	51 tube of glue	أوتب الصمغ	5 tiled working surface	سطح شغل مبلّط
68 reactor core	قلب المفاعل النووي	7 school bag	حقية المدرسة	52 tube cap	غطاء الأوتب	6 sink	حوض
69 control rods	قضبان تحكم	8 handle	يدّ الحقيبة	53 fretsaw	مَشَار زُخْرَفَة/أرّكت	7 television monitor, a screen for educational programmes (Am. programs)	شاشة عرض تليفزيونية، شاشة عرض البرامج التعليمية
70 lead screen	سِتار رصاص	9 school satchel (satchel)	حقية الكُتب	54 fretsaw blade (saw blade)	مَشَار زُخْرَفَة/أرّكت	8 overhead projector	بروجكتور الإسقاط الرأسي
71 turret	بَرْج	10 front pocket	جيب أمامي	55 wood rasp (rasp)	مبْرَد الخشب	9 projector top for skins	السطح العلوي للبروجكتور المخصص لوضع الشرائح الشفافة
72 snorkel (schnorkel)	سُنُورِكِل	11 strap (shoulder strap)	حزام (حزام الكُتب)	56 piece of wood held in the vice (Am. vise)	قطعة خشب مثبتة بالمِلزمة	10 projection lens with right-angle mirror	عدسة إسقاط ذات مرآة قائمة الزاوية
73 air inlet	فتحة دخول الهواء	12 pen and pencil case	مقلّمة	57 glue pot	قنينة الصمغ	11 pupils' (Am. students') bench with experimental apparatus	دكة التلاميذ المزودة بأجهزة التجارب
74 retractable instruments	معدات قابلة للضم	13 zip (Am. zipper)	سوستة	58 stool	كُرسي بدون مسند للظهر	12 electrical point (socket)	مقابس كهربائي
75 patrol submarine with conventional (diesel-electric) drive	غواصة دورية بإدارة دفع تقليدية	14 fountain pen (pen)	قلم حبر سائل	59 brush	فُرْشاة	13 projection table	نضد الإسقاط
76 pressure hull	بدن يتحمل الضغط	15 loose-leaf file (ring file)	قلم حبر حلقة	60 pan (dustpan)	صفحة الغفائيات		
77 flooded foredeck	سطح أمامي غاطس	16 reader	كتاب تعليم القراءة	61 broken china	قطع خرف مكسورة		
78 outer flap (outer doors)	أبواب خارجية (للطوربيد)	17 spelling book	كتاب تعليم الكتابة	62 enamelling (Am. enameling)	الطلاء بالمينا		
		18 exercise book (note-book)	كتاب التمارين	63 electric enamelling (Am. enameling) stove	فرنّ الطلاء بالمينا الكهربائي		
		19 felt tip pen	قلم طرفه من اللباد	64 unworked copper	نحاس لم يتشكل بعد		
		20 pupil raising her hand	تلميذة ترفع يدها	65 enamel powder	مسحوق المينا		
		21 teacher	مُدّرس	66 hair sieve	مَنخَل شغري		
		22 teacher's desk	مكتب المُدرّس				
		23 register	سجل، دفتر				

14-34 biology preparation room (biology prep room)	حُجْرَة الإعداد لمادة الأحياء	3 university lecturer (lecturer, college lecturer, <i>Am.</i> assistant professor)	مُحاضر (المُدْرَس الجامعي)	5 election speaker (speaker)	المُتحدِّث الانتخابي	15 riot duty	مُكافحة الشغب
14 skeleton	هَيْكَل عظمي	4 lectern	منضدة المُحاضر	6 rostrum	مِيزِب الخُطابة	16 special armoured (<i>Am.</i> armored) car	عَوْبَة عمليات خاصة مَدْرَعَة
15 casts of skulls	رُتَب الجماجم	5 microphone	ميكروفون	7 microphone	ميكروفون	17 barricade	سائر ، حاجز
16 calvarium of Pithecanthropus erectus	جُمُجَة إنسان جاوة	6 remote-controlled blackboard	سُورَة يتم التحكم فيها من بُعد	8 meeting (audience)	جمهور الحاضرين	18 policeman (police officer) in riot gear	رجل شرطة مجهزة بعتاد مُكافحة الشغب
17 skull of Steinheim man	جُمُجَة إنسان شتاينهايم	7 overhead projector	قانون إسقاط الرأسِي	9 man distributing leaflets	منشورات المضيّفون	19 truncheon (baton)	فُرَاوَة
18 calvarium of Peking man (of Sinanthropus)	جُمُجَة إنسان بكين	8 projection screen for projecting pictures by means of a film projector, slide projector, or an epidiascope	شاشة عرض الصُور عن طريق فائوس عرض الأفلام أو فائوس الشرائح الشفافة	10 stewards	شريط الذراع	20 riot shield	دُرُج مُكافحة الشغب
19 skull of Neanderthal man, a skull of primitive man	جُمُجَة الإنسان البدائي	9 student	طالب	11 armband (armlet)	لافتة بأحرف ضخمة	21 protective helmet (helmet)	خُوْدَة واقية
20 Australopithecine skull (skull of Australopithecus)	جُمُجَة إنسان استراليا البدائي	10 student	طالبة	12 banner	إعلان	22 service pistol	مُسَدّس الخدمة (مُسَدّس ميري)
21 skull of present-day man	جُمُجَة إنسان العصر الحديث	11-28 university library; <i>sim.</i> : national library, regional or municipal scientific library	مكتبة الجامعة، بالمثّل المكتبة الوطنية، المكتبة الإقليمية أو البلدية العلمية	13 placard	بَيّان	23 pistol grip	قبضة المُسدّس
22 dissecting bench	طاولة التشريح	12 stack (book stack) with the stock of books	رُفوف متراصة تحمل كميّات من الكُتب	14 proclamation	بَيّان	24 quick-draw holster	جُرَاب سهل الفتح لسحب السلاح بسرعة
23 chemical bottles	زُجاجات تحوي موادّ كيميائيّة	13 reading room	قاعة القراءة	15 heckler	مُقر انتخابي	25 magazine	مُغزّن الذخيرة
24 gas tap	صُنْثُور غاز	14 member of the reading room staff, a librarian	مُؤمّط قاعة القراءة، أمين مكتبة	16-29 election	مُسْتَوْلا الانتخاب	26 police identification disc (disk)	شارَة هويّة الشُرْطَة المعدنيّة
25 petri dish	صَحْفَة بَئري صحن زجاجي صغير ذو غطاء مرّين	15 periodicals rack with periodicals	رُفوف الدُوْرِيّات	16 polling station (polling place)	قائمة انتخابية	27 police badge	شارَة الشُرْطَة المعدنيّة
26 measuring cylinder	أسطوانة قياس	16 newspaper shelf	رُف الجرائد	17 polling officers	ورَقَة انتخابية تحمل أسماء الأحزاب والمرشّحين	28 fingerprint identification (dactyloscopy)	التعرّف على بصمّات الأصابع
27 work folder containing teaching material	حافظَة الموادّ التعليميّة	17 reference library with reference books (hand-books, encyclopedias, dictionaries)	مكتبة المَرَاجع (الكتب الإرشاديّة والموسوعات والمعاجم)	18 electoral list	مُظَرّف الاقتراع	29 fingerprint	بصمّة أصبع
28 textbook	كتاب مَدْرَسِيّ	18 lending library and catalogue (<i>Am.</i> catalog) room	مكتبة الإعارة و حُجْرَة الفهرس	19 polling card with registration number (polling number)	مُضَوّت ناخب	30 illuminated screen	شاشة ضوئية
29 bacteriological cultures	مَزَارِع بكتيريّة	19 librarian	أمين مكتبة	20 ballot paper with the names of the parties and candidates	خُجيرة الانتخاب	31 search	التفتيش
30 incubator	الحاضِن جِهّاز لحضانة البكتريا	20 issue desk	مكتب الاستعارة	21 ballot envelope	ناخب (مضوّت مؤهل)	32 suspect	مُشتبه فيه، مشوه
31 test tube rack	رُف أنابيب الاختبار	21 main catalogue (<i>Am.</i> catalog)	الفهرس الرئيسي	22 voter	لوائح العمليّة الانتخابية	33 detective (plainclothes policeman)	رجل شرطة سري (رَجُل شرطة يرتدي ملابس عادية)
32 washing bottle	قنينة غسل	22 card catalogue (<i>Am.</i> catalog)	فهرس البطاقات	23 polling booth	سبيل انتخابي	34 English policeman	رجل شرطة إنجليزي
33 water tank	خَزَان ماء	23 card catalogue (<i>Am.</i> catalog) drawer	دُرُج فهرس البطاقات	24 elector (qualified voter)	سُفُرف الانتخابات	35 helmet	خُوْدَة
34 sink	حوض	24 library user	مُسْتخدِم المكتبة	25 election regulations	صُنْذُوق الاقتراع	36 pocket book	دفتر المُتخالفات
35 language laboratory	مُعْمَل اللغات	25 borrower's ticket (library ticket)	بطاقة المُستعير	26 electoral register	فتحة الصُنْذُوق	37 policewoman	شُرْطِيّة
36 blackboard	سُورَة	26 issue terminal	طُرْقِيّة المُصرف	27 election supervisor	مُفْتَح الصُنْذُوق	38 police van	عَرَبَة الشُرْطَة
37 console	كُونسول	27 microfiche (fiche)	ميكروفيش	28 ballot box	مُظَرّف الاقتراع	265 Café	المقهى
38 headphones (headset)	سَمَاعات الرأس	28 microfiche reader	جِهّاز قراءة الميكروفيش	29 slot	مُظَرّف الاقتراع	1-31 café; <i>sim.</i> : espresso bar, tea room, ice-cream parlour (<i>Am.</i> parlor)	مقهى، بالمثّل صالة الشاي، صالة المُرْطبات
39 microphone	ميكروفون	263 Election	الانتخابات	264 Police	مُظَرّف الاقتراع	1 counter (cake counter)	كاونتر الكعك
40 earcup	كأس الأذن	1-15 election meeting, a public meeting	اجتماع انتخابي، اجتماع عام	1-33 police duties	مهام الشُرْطَة	2 coffee urn	غلاية إعداد القهوه
41 padded headband (padded headpiece)	عصاية رأسيّة مُنظّنة	1-2 committee	لجنة	1 police helicopter (traffic helicopter) for controlling traffic from the air	مهام الشُرْطَة	3 tray for the money	صينية النقود
42 programme (<i>Am.</i> program) recorder, a cassette recorder	جِهّاز تسجيل البرامج	1 chairman	رئيس اللجّنة	2 cockpit	مطائرة هليكوبتر تابعة للشُرْطَة لتنظيم حركة المرور من الجو	4 gateau	جاتوه
43 pupil's (<i>Am.</i> student's) volume control	زُر التحكم في ارتفاع صوت التلميذ	2 committee member	عضو اللجّنة	3 rotor (main rotor)	كابينية قيادة الطائرة مروّحة (المروّحة الرئيسيّة)	5 meringue with whipped cream	حلوى المرغز وعليها كريمة مُفطّقة
44 master volume control	زُر التحكم الرئيسي بارتفاع الصوت	3 committee table	طاولة اللجّنة	4 tail rotor	مروّحة الذيل	6 trainee pastry cook	حلواني تحت التدريب
45 control buttons (operating keys)	مفاتيح التشغيل	4 pamphlet	مُنشور	5 use of police dogs	استخدام الكلاب البوليسية	7 counter assistant	مُصيفة الكاونتر
262 University	الجامعة			6 police dog	كلب بوليسي	8 newspaper shelves (newspaper rack)	أرفف الجرائد
1-28 university (college)	الجامعة (الكلية)			7 uniform	زِي رسمي	9 wall lamp	مصباح جداري
1 lecture	مُحاضرة			8 uniform cap, a peaked cap with cockade	قبعة الزّي الرسمي	10 corner seat, an upholstered seat	مُقعّد الزاوية، مُقعّد مُنجد
2 lecture room (lecture theatre, <i>Am.</i> theater)	مُدْرَج المحاضرات			9 traffic control by a mobile traffic patrol	تنظيم المرور بواسطة دُوْرِيّة مرور متحرّكة	11 café table	طاولة المقهى
				10 patrol car	سيارة الدُوْرِيّة	12 marble top	سطح رُخامي
				11 blue light	مصباح أزرق	13 waitress	نادلة، جرسونة، مُصيفة
				12 loud hailer (loudspeaker)	مُكْر صوت	14 tray	صينية
				13 patrolman (police patrolman)	رَجُل الدُوْرِيّة	15 bottle of lemonade	زُجاجة عصير الليمون
				14 police signalling (<i>Am.</i> signaling) disc (disk)	قرص إعطاء الإشارات الخاص بالشُرْطَة	16 lemonade glass	كوب عصير الليمون
						17 chess players playing a	لاعبان يلعبان مباراة

36 flower stand حامل الزهور
 37 flower arrangement باقة زهور
 38 double bed سرير مزدوج لغرفتين
 39 function room (banqueting hall) صالة المأدبات/المُناسبات

حفلة خاصة
 40 speaker proposing a toast متحدث يقترح نخباً
 41 42's neighbour (Am. neighbor) الجالس جوار رقم 42

رَفِيقُ الجالس رقم 43
 رَفِيقَةُ الجالس رقم 42
 ثلاثي عازفي البار
 45 violinist عازف الكمان
 46 couple dancing شاب وفتاة يرقصان (dancing couple)

النادل، الجرسون
 47 waiter
 48 napkin منشفة ورقية
 49 cigarette سيجارة
 50 ashtray مِغْفَضَةُ السجائر

بار الفندق
 51 hotel bar
 52 foot rail مسند القدم
 53 bar stool كُرْسِيّ البار
 54 bar بار
 55 bar customer زبون البار
 56 cocktail glass (Am. highball glass) كأس الكوكتيل

كأس الويسكي
 57 whisky (whiskey) glass
 58 champagne cork فليضة زجاجة الشمبانيا
 59 champagne bucket دلو تبريد زجاجة الشمبانيا (champagne cooler)

إناء قياس حجم المتروب (عبارة)
 60 measuring beaker
 61 cocktail shaker زجاجة الكوكتيل
 62 bartender (barman, Am. barkeeper, barkeep) الساقى

الساقية
 63 barmaid
 64 shelf for bottles رَفٌّ زجاجات
 65 shelf for glasses رَفٌّ الكؤوس
 66 mirrored panel لَوْح زجاجي عاكس

دلو الثلج
 67 ice bucket
 68 hotel foyer رَواقُ الفَنَدُقِ

المدينة (وسط المدينة)

عداد انتظار السيارات
 1 parking meter
 2 map of the town (street map) خريطة المدينة (خريطة الشوارع)
 3 illuminated board لَوْحة ضوئية
 4 key مفتاح، زر
 5 litter bin (Am. trash bin) صندوق المهملات

فانوس الشارع
 6 street lamp (street light)
 7 street sign showing the name of the street لافتة اسم الشارع

بالوعة
 8 drain
 9 clothes shop (fashion متجر/ محل ملابس (دار)

المَلَاحة ووعاء الفلفل
 77 salt cellar and pepper pot
 78 table decoration زينة المائدة (باقة أزهار) (flower arrangement)

الفَنَدُقِ

رَهْمَةٌ (صالة، قاعة استقبال)
 1-26 vestibule (foyer, reception hall)
 1 doorman (commissionaire)
 2 letter rack with pigeon holes رَفٌّ الخطابات وبه صناديق حفظ البريد
 3 key rack لَوْحَةٌ مفاتيح الغُرفِ
 4 globe lamp, a frosted glass globe مصباح كُرْوِيّ، مصباح كُرْوِيّ مصغر
 5 indicator board لَوْحَةٌ إرشادية
 6 indicator light ضوء إرشادي
 7 chief receptionist رئيس موظفي الاستقبال
 8 register (hotel register) السجِّلُ (سجِّلُ الفندُقِ)
 9 room key مِفْتَاحُ غُرفةٍ
 10 number tag (number tab) showing room number بطاقة رقم الغُرفةِ

فاتورة الفندق
 11 hotel bill
 12 block of registration forms مجموعة من نماذج تسجيل الرُّزلاءِ
 13 passport جواز سفر
 14 hotel guest نزيل بالفندُقِ
 15 lightweight suitcase حقيبة ملابس خفيفة [for air travel]

مَكَبٌ مُنَتِّ بالجدار
 16 wall desk
 17 porter (Am. baggage man) شَيْتال، حَمال

بُهْوُ الفندُقِ
 18-26 lobby (hotel lobby)
 18 page (pageboy, Am. bell boy) وصيف (خادم يرتدي بزة خاصة)
 19 hotel manager مَدِيرُ الفندُقِ
 20 dining room (hotel restaurant) قاعة تناول الطعام (مَطْعَمُ الفندُقِ)

ثُرْوِيًّا (نِجْمَةٌ)
 21 chandelier جانِبُ المَدْفَأَةِ/المستوقد
 22 fireside المَدْفَأَةُ، المُسْتوقد
 23 fireplace رَفٌّ المدفأة/المستوقد
 24 mantelpiece (mantel-shelf)

نار
 25 fire
 26 armchair كُرْسِيّ ذو مسند الذراع
 27-38 hotel room, a double room with bath غُرفةُ الفندُقِ، غُرفة مزدوجة بحمام
 27 double door باب مزدوج
 28 service bell panel لَوْحَةٌ جرس استدعاء موظف خدمة الغُرفِ
 صَوَانُ الملابس

مُغْلَقَةُ الملابس
 29 wardrobe (Am. clothes closet)
 30 clothes compartment ضَلْفَةُ المفروشات
 31 linen compartment حَوْضُ غَسِيلِ مزدوج
 32 double washbasin مَضِيفُ خدمة الغُرفةِ
 33 room waiter تليفون الغُرفةِ
 34 room telephone بَساطة/سجادة مخملية
 35 velour (velours) carpet

كُوب ماء
 29 glass of water
 30 wine waiter, a head نادل تقديم الخمر
 waiter

قائمة الخمر
 31 wine list
 32 wine carafe دُبُورِقُ الخمر
 33 wineglass كأس الخمر
 34 tiled stove مَوْقد قرميدي
 35 stove tile قرميدة المَوْقدِ
 36 stove bench أريكة المَوْقدِ
 37 wooden panelling (Am. paneling) كسوة جدار خشبية

مَعْدَةُ الزاوية
 38 corner seat
 39 table reserved for regular customers طَاوِلَةٌ محفوظة للزبائن الدائمين
 40 regular customer زبون دائم
 41 cutlery chest صَوَانُ فِضِيَّةٍ (أدوات المائدة)

مِهْرَدُ الخمر
 42 wine cooler
 43 bottle of wine زجاجة خمر
 44 ice cubes (ice, lumps of ice) مكعبات الثلج

مَطْعَمُ الخدْمَةِ الذائِبةِ

رَصَةٌ من الصواني
 45 stack of trays
 46 drinking straws (straws) الشاروقات، مصاصات

مناشف ورقية
 47 serviettes (napkins)
 48 cutlery holders حوامل فِضِيَّةِ المائدة
 49 cool shelf رَفٌّ الأطعمَةِ الباردة
 50 slice of honeydew شريحة من كُوز العسل
 melon

طبق سلطة
 51 plate of salad
 52 plate of cheeses طبق جبن
 53 fish dish طبق سمك
 54 filled roll لفائف
 55 meat dish with trimmings طبق لحوم والطعام المصاحب لها

نصف زجاجة
 56 half chicken نصف فواكه
 57 basket of fruit عصير فواكه
 58 fruit juice رَفٌّ المشروبات
 59 drinks shelf رَفٌّ زجاجة لَبَنٍ
 60 bottle of milk زجاجة مياه معدنية
 61 bottle of mineral water وَجِبَةٌ نباتية

صينية
 62 vegetarian meal (diet meal)
 63 tray صينية
 64 tray counter طَاوِلَةُ الصواني
 65 food price list قائمة أسعار الطعام

بوابة الخدمة
 66 serving hatch
 67 hot meal وَجِبَةٌ ساخنة
 68 beer pump (beerpull) ماكينة صب الجعة
 69 cash desk مَكَبٌ دفع النقديّة
 70 cashier أمين الصندوق

مالك المطعم
 71 proprietor
 72 rail درابزين، حاجز
 73 dining area منطقة تناول الطعام
 74 table طَاوِلَةٌ، مائدة
 75 open sandwich شَطِيرَةٌ
 76 ice-cream sundae آيس كريم صاندي

game of chess شطرنج
 18 coffee set طاقم القهوة
 19 cup of coffee فنجان القهوة
 20 small sugar bowl سَكْرِيَّةٌ صغيرة
 21 cream jug (Am. creamer) إناء مَبْبُضُ القهوة

زبائن المقهى
 22-24 café customers
 22 gentleman رَجُلٌ
 23 lady سيّدة
 24 man reading a newspaper رَجُلٌ يقرأ جريدة

جريدة
 25 newspaper
 26 newspaper holder حامل الجريدة
 27 espresso قهوة أكسسو
 28 ice cream in assorted flavours (Am. flavors) آيس كريم مُشَكَّلٌ

طبق الآيس كريم (طبق آيس كريم صُنْدائِي)
 29 ice-cream dish (sundae dish)
 30 iced coffee قهوة مُتَلَجَّةٌ
 31 (drinking) straw شَارُوقَةٌ

المَطْعَمُ

المَطْعَمُ
 1-27 restaurant
 1-11 bar (counter) البّار (الكاونتر)
 1 beer pump (beerpull) ماكينة صب الجعة
 2 drip tray صينية تصريف القطرات

المتساقطة
 3 beer glass كُوبُ الجِعةِ
 4 froth (head) رَغْوَةُ الجِعةِ
 5 spherical ashtray for cigarette and cigar ash مِغْفَضَةُ السجائر والسجائر كروية الشكل
 6 beer glass (beer mug) كُوبُ الجِعةِ (كُوزُ الجِعةِ)
 7 beer warmer سبخ تدفئة الجِعةِ
 8 bartender (barman, Am. barkeeper, barkeep) الساقى

رَفٌّ الأكوّاب
 9 shelf for glasses
 10 shelf for bottles رَفٌّ الزُّجاجات
 11 stack of plates رَصَةٌ من الأطباق
 12 coat stand حامل المعاطف (شماغه رأسية)

شماغه القبعات
 13 hat peg
 14 coat hook خَطّاف تعليق المِعْطَفِ
 15 wall ventilator مروّحة تهوية مثبتة بالجدار
 16 bottle زجاجة، قنينة
 17 complete meal وَجِبَةٌ كاملة
 18 waitress مضيّفة، نادبة، جرسونة
 19 tray صينية

حلوى، شطيرة كيك
 20 dessert, a slice of cake
 21 menu (menu card) قائمة الطعام
 22 cruet stand حامل إبريق الزيت/الخلّ
 23 toothpick holder حامل خلال الأسنان
 24 matchbox holder حامل الكبريت/أعواد النّقاب

زبون
 25 customer
 26 beer mat مفرش كوب الجِعةِ
 27 meal of the day طبق اليوم
 28-44 wine restaurant بار الخُفُورِ (wine bar)

مَفْرَشُ الطَاوِلَةِ
 28 tablecloth
 29 glass of water
 30 wine waiter, a head
 31 wine list
 32 wine carafe
 33 wineglass
 34 tiled stove
 35 stove tile
 36 stove bench
 37 wooden panelling (Am. paneling)
 38 corner seat
 39 table reserved for regular customers
 40 regular customer
 41 cutlery chest
 42 wine cooler
 43 bottle of wine
 44 ice cubes (ice, lumps of ice)
 45 stack of trays
 46 drinking straws (straws)
 47 serviettes (napkins)
 48 cutlery holders
 49 cool shelf
 50 slice of honeydew melon
 51 plate of salad
 52 plate of cheeses
 53 fish dish
 54 filled roll
 55 meat dish with trimmings
 56 half chicken
 57 basket of fruit
 58 fruit juice
 59 drinks shelf
 60 bottle of milk
 61 bottle of mineral water
 62 vegetarian meal (diet meal)
 63 tray
 64 tray counter
 65 food price list
 66 serving hatch
 67 hot meal
 68 beer pump (beerpull)
 69 cash desk
 70 cashier
 71 proprietor
 72 rail
 73 dining area
 74 table
 75 open sandwich
 76 ice-cream sundae

house)	أزياء)	furniture truck)	كوبري عبور المشاة	6 pump strainer with foot valve	منخل مضمخة ذو صمام سفلي	49 delivery pipe	أنبوب توصيل
10 shop window	واجهة المحل، فترتية	48 flyover	مصنّاح معلق لإتارة الشارع	7 bucket pump with motor	مضمخة دلوية ذات محرّك	50 compressed-air vessel (air vessel, air receiver)	وعاء هواء مضغوط
11 window display (shop window display)	معروضات الفترتية	49 suspended street lamp	خط وقوف العربات لعبور المشاة	8 vacuum pump with motor	مضمخة خوائية بمحرّك	51 manhole	فتحة دخول
12 window decoration (shop window decoration)	ديكور الفترتية	50 stop line	عبور المشاة	9 rapid-filter plant	وحدة ترشيح سريع	52 delivery pipe	أنبوب توصيل
13 entrance	مدخل	51 pedestrian crossing (Am. crosswalk)	أضواء إشارة المرور	10 filter gravel (filter bed)	قاع الترشيح (طبقة ترشيح)	53 water meter, a rotary meter	عداد الماء
14 window	نافذة	52 traffic lights	عمود إشارة المرور	11 filter bottom, a grid	مخرّج الماء المرشح	54 water inlet	مدخل الماء
15 window box	أصيص النافذة	53 traffic light post	مجموعة الأضواء	12 filtered water outlet	خزان ماء تقني	55 counter gear assembly	مجموعة تروس العتاد
16 neon sign	لافتة نيون	54 set of lights	أضواء عبور المشاة	13 purified water tank	أنبوب ماص ذو مصفاة	56 cover with glass lid	غطاء ذو سطح زجاجي
17 tailor's workshop	مُغزل الخياط	55 pedestrian lights	كُتْك التليفون	14 suction pipe with pump strainer and foot valve	ترشيح مضمخية وصمام سفلي	57 water outlet	مخرّج الماء
18 pedestrian	أحد المارة	56 telephone box (telephone booth, telephone kiosk, call box)	إعلان عن فيلم سينمائي	15 main pump with motor	مضمخة رئيسية بمحرك	58 water-meter dial	قرص عداد الماء
19 shopping bag	حقيرة التسوق	57 cinema (Am. movie)	منطقة ترّجل المشاة (منطقة مغبّدة)	16 delivery pipe	أنبوب توصيل الماء	59 counters	عدادات
20 road sweeper (Am. street sweeper)	كنّاس الشارع	58 pedestrian precinct (paved zone)	مجموعة جالسة إلى محاولة	17 compressed-air vessel (air vessel, air receiver)	وعاء هواء مضغوط	60 driven well (tube well, drive well)	بئر مملّفة/أنبوبية
21 broom	مكّسة	59 street café	ظلّة، تende	18 water tower	برج الماء	61 pile shoe	كعب الخاروق
22 rubbish (litter)	نفايات (مهملات)	60 group seated (sitting) at a table	سلم يؤدي إلى المراحيض العامة	19 riser pipe (riser)	أنبوب قائم (أنبوب عمودي)	62 filter	مرشّح
23 tramlines (Am. streetcar tracks)	قضبان الترام (مسكة الترام)	61 sunshade	مؤقت سيارات الأجرة	20 overflow pipe	أنبوب الفائض	63 water table (ground-water level)	مستوى الماء الباطني (منسوب الماء الجوفي)
24 pedestrian crossing (zebra crossing, Am. crosswalk)	عبور المشاة	62 steps to the public lavatories (public conveniences)	سيارة أجرة	21 outlet	مخرّج	64 well casing	قميص البئر
25 tram stop (Am. streetcar stop, trolley stop)	محطة الترام (محطة التروولي)	63 taxi rank (taxi stand)	سيارة أجرة	22 distribution main	ماسورة التوزيع الرئيسية	65 well head	رأس البئر
26 tram stop sign (Am. streetcar stop sign, trolley stop sign)	لافتة محطة الترام	64 taxi (taxicab, cab)	لافتة تحمل عبارة "موقف سيارات أجرة"	23 excess water conduit	مجرى الماء الزائد	66 hand pump	مضمخة يدوية
27 tram timetable (Am. streetcar schedule, trolley schedule)	جدول بمواعيد الترام	65 taxi sign	تليفون استدعاء سيارة أجرة	24-39 tapping a spring	سحب المياه		
28 ticket machine	ماكينة التذاكر	66 'taxi rank' ('taxi stand') sign	مكتب البريد	24 chamber	غرفة		
29 'pedestrian crossing' sign	لافتة "عبور المشاة"	67 taxi telephone	ماكينة بيع السجائر	25 chamber wall	جدار الغرفة		
30 traffic policeman on traffic duty (point duty)	رجل المرور أثناء المناوبة	68 post office	عمود لصق الإعلانات	26 manhole	فتحة دخول		
31 traffic control cuff	كمّ المرور (كمّ خاص يرتديه رجل المرور)	69 cigarette machine	إعلان (بوستر)	27 ventilator	فتحة تهوية		
		70 advertising pillar	خط أبيض	28 step irons	قضبان حديدية درجية		
32 white cap	كاب أبيض	71 poster (advertisement)	سهم الإشارة للاعتاف	29 filling (backing)	حشوة		
33 hand signal	إشارة يدوية	72 white line	يساراً من الحارة	30 outlet control valve	صمام التحكم في خروج الماء		
34 motorcyclist	راكب دراجة نارية	73 lane arrow for turning left	سهم الإشارة لمواصلة السير في خط مستقيم	31 outlet valve	صمام خروج الماء		
35 motorcycle	دراجة نارية	74 lane arrow for going straight ahead	بائع الصحف	32 strainer	منخل		
36 pillion passenger (pillion rider)	راكب على المقعد الخلفي للدراجة	75 news vendor (Am. news dealer)		33 overflow pipe (overflow)	أنبوب الفائض		
37 bookshop	مكتبة			34 bottom outlet	فتحة خروج سفلية		
38 hat shop (hatter's shop); for ladies' hats: milliner's shop	محل القبعات؛ للسيدات محل بائعة القبعات النسائية			35 earthenware pipes	أنابيب من الفخار		
39 shop sign	لافتة المحل			36 impervious stratum (impermeable stratum)	طبقة غير مغبّدة (طبقة كثيفة)		
40 insurance company office	مكتب شركة تأمين			37 rough rubble	حصي خشن		
41 department store	متجر ذو أقسام متنوعة			38 water-bearing stratum (aquifer, aquafer)	طبقة حاملة للماء (طبقة خازنة للماء)		
42 shop front	الواجهة الأمامية للمحل			39 loam seal (clay seal)	طبقة لوميّة مانعة للتسرب		
43 advertisement	إعلان			40-52 individual water supply	إمداد المياه للأفراد		
44 flags	رايات			40 well	بئر		
45 illuminated letters	حروف ضوئية			41 suction pipe	أنبوب شفط		
46 tram (Am. streetcar, trolley)	ترام (تروولي)			42 water table (ground-water level)	مستوى الماء الباطني (منسوب الماء الجوفي)		
47 furniture lorry (Am. street sweeper)	شاحنة نقل الأثاث			43 pump strainer with foot valve	منخل مضمخة ذو صمام سفلي		
				44 centrifugal pump	مضمخة طرد مركزي		
				45 motor	موتور		
				46 motor safety switch	مفتاح أمان الموتور		
				47 manostat, a switching device	مانوستات، جهاز تشغيل		
				48 stop valve	محبس		

5 rake	مشطاط آلة جمع النقود والفيش
6 head croupier	رئيس مديري الطاولة
7 hall manager	مدير القاعة
8 roulette table (gaming table, gambling table)	طاولة الروليت
9 roulette layout	رُقْمَة الروليت
10 roulette wheel	عجلة الروليت
11 bank	بنك
12 chip (check, plaque)	فيشة
13 stake	مال مرَاهنة
14 membership card	بطاقة عضوية
15 roulette player	لاعب الروليت
16 private detective (house detective)	رَجُل أمن سري خاص (رجل أمن تابع للكازينو)
17 roulette layout	رُقْمَة الروليت
18 zero (nought, 0)	صفر
19 passe (high) [numbers 19 to 36]	عابر [الأرقام من 19 إلى 36]
20 pair (even numbers)	زُوج [الأرقام الزوجية]
21 noir (black)	أسود
22 manque (low)	مُخْفِق [الأرقام من 1 إلى 18]
23 impair [odd numbers]	الأرقام الفردية
24 rouge (red)	أحمر
25 douze premier (first dozen) [numbers 1 to 12]	الدسته الأولى [من رقم 1 إلى 12]
26 douze milieu (second dozen) [numbers 13 to 24]	الدسته الثانية [من رقم 13 إلى 24]
27 douze demier (third dozen) [numbers 25 to 36]	الدسته الثالثة [من رقم 25 إلى 36]
28 roulette wheel (roulette)	عجلة الروليت
29 roulette bowl	إطار الروليت
30 fret (separator)	زخرفة
31 revolving disc (disk) showing numbers 0 to 36	قرص دَوَّار يحمل الأرقام من صفر إلى 36
32 spin	دَوَّارة
33 roulette ball	كرة الروليت

ألعاب الرقعات والألعاب الجماعية الشطرنج

1-16 chess, a game involving combinations of moves, a positional game	رُقْمَة الشطرنج وعليها القطع في مواضعها
1 chessboard (board) with the men (chessmen) in position	رُقْمَة الشطرنج وعليها القطع في مواضعها
2 white square (chessboard square)	مربع أبيض
3 black square	مربع أسود
4 white chessmen (white pieces) [white = W]	قطعة من قطع الشطرنج البيضاء
5 black chessmen (black	قطعة من قطع الشطرنج

63 walking doll	دُمِيَّة متحركة
64 sandpit (Am. sandbox)	حفرة مملوءة بالرمل
65 toy excavator (toy digger)	حفارة لَعْبَة
66 sandhill	تَلٌّ رملِي

274 Spa مَتَجِّج المِيَاء المَعْدِنِيَّة

1-21 spa gardens حدائق منتجع المِيَاء المَعْدِنِيَّة	
1-7 salina (salt works) المَالْحَة	
1 thorn house (graduation house)	بَيْت الزعرور
2 thorns (brushwood)	الزعرور شَجِيْرَات شائكة من الفصيلة الورقية
3 brine channels	قَنَوَات المَاء المالح
4 brine pipe from the pumping station	أَبْوِيَّة المَاء المالح الواصل من مَحْطَة الضخ
5 salt works attendant	عامل المَالْحَة
6-7 inhalational therapy العلاج الاستنشاقِي	
6 open-air inhalatorium (outdoor inhalatorium)	مِثْقَة العلاج الاستنشاقِي المَعْفُوحَة
7 patient inhaling (taking an inhalation)	مريض يقوم بالاستنشاق (يأخذ شهيقاً)
8 hydrophatic (pump room) with kursaal (casino)	مبنى العلاج المائي (غرفة المِضْحَة) وملحق به كازينو
9 colonnade	صف أعمدة، رَوَاق مُعَمَّد
10 spa promenade	التنزه في منتجع المِيَاء المَعْدِنِيَّة
11 avenue leading to the mineral spring	طريق مؤدية إلى نبع المِيَاء المَعْدِنِيَّة
12-14 rest cure العلاج بالاستلقاء في الشمس	
12 sunbathing area (lawn)	مِنطَقَة أخذ حمامات الشمس
13 deck-chair	كرسي قماش
14 sun canopy	مظلة، تende
15 pump room	حِجْرَة المِضْحَة
16 rack for glasses	رف للأكواب
17 tap	حغفية، صنوبر
18 patient taking the waters	مريضة تتناول المِيَاء
19 bandstand	تَحْت الفرقة الموسيقية (في الحدائق العامة)
20 spa orchestra giving a concert	الفرقة الموسيقية التابعة للمنتجع وهي تعزف
21 conductor	قائد الفرقة الموسيقية

275 Roulette الرُّولِيْت

1-33 roulette, a game of chance (gambling game)	لَعْبَة الرُّولِيْت، لَعْبَة حظ
1 gaming room in the casino (in the gambling casino)	حجرة اللعب بالمَلْهُي (ملهى لعب القمار)
2 cash desk	مَكْتَب النقديَّة
3 tourneur (dealer)	موظف تدوير عجلة الروليت (موظف بالكازينو)
4 croupier	مدير الطاولة

41 flower bed	حَوْض زهور
42 park bench (garden seat)	أريكة الحديقة
43 litter bin (Am. trash bin)	صفيحة/سلة المهملات
44 play area	مِنطَقَة اللعب
45 stream	جَدْوَل مائي
46 jetty	رصيف مائي
47 bridge	جِسْر، كوبري
48 park chair	كُرْسِي الحديقة
49 animal enclosure	حظيرة حيوانات
50 pond	بركة ماء، بحيرة صغيرة
51-54 waterfowl طيور مائية	
51 wild duck with young	بَطَة بَرِّيَّة مع صغارها
52 goose	اوزة
53 flamingo	طائر البشروش، طائر الغلامجو
54 swan	بِجْمَة
55 island	جزيرة
56 water lily	زهرة زَيْتُق المَاء
57 open-air café	مَقْهَى مكشوف
58 sunshade	مظلة، تende
59 park tree (tree)	شَجْرَة المنتزه (شجرة)
60 treetop (crown)	تاج الشجرة
61 group of trees	مجموعة أشجار
62 fountain	نافورة
63 weeping willow	أشجار الصفصاف
64 modern sculpture	تمثال على نمط الفن الحديث
65 hothouse	دْفِيْنَة مستنبت زجاجي مرتفع الحرارة
66 park gardener	بستاني الحديقة
67 broom	مَكْسَة
68 minigolf course	مَلْعَب جولف صغير
69 minigolf player	لاعب جولف
70 minigolf hole	حفرة كرة الجولف
71 mother with pram (baby carriage)	أم تدفع عربة طفل
72 courting couple (young couple)	حبيبان

273 Children's Playground مَلْعَب الأطفال

1 table tennis	تنس الطاولة
2 table	طاولة
3 table tennis net	شبكة تنس الطاولة
4 table tennis racket (raquet) (table tennis bat)	مِضْرَب تنس الطاولة
5 table tennis ball	كرة تنس الطاولة
6 badminton game (shuttlecock game)	لَعْبَة الريشة الطائرة
7 shuttlecock	الريشة الطائرة
8 maypole swing	أرْجُوحَة سارية نَوَّار
9 child's bicycle	دراجة أطفال
10 football (soccer)	كرة القدم
11 goal (goalposts)	المَرْمِي
12 football	الكرة
13 goal scorer	الهدّاف
14 goalkeeper	حارس المَرْمِي
15 skipping (Am. jumping)	قفز الحبل

rope	حَبْل القفز
16 skipping rope (Am. skip rope, jump rope, jumping rope)	حَبْل القفز
17 climbing tower	بُرْج التسلق
18 rubber tyre (Am. tire) swing	أرْجُوحَة من دولايب مطاطي
19 lorry tyre (Am. truck tire)	دولايب شاحنة
20 bouncing ball	كرة نفاطة
21 adventure playground	ملعب المغامرات
22 log ladder	سلم من جذوع الشجر
23 lookout platform	منصة المراقبة
24 slide	زَحْوَقَة
25 litter bin (Am. trash bin)	صندوق المهملات
26 teddy bear	دب لَعْبَة
27 wooden train set	طاقم قطار خشبي
28 paddling pool	بركة ماء
29 sailing boat (yacht, Am. sailboat)	قارب شراعي
30 toy duck	بَطَة لَعْبَة
31 pram (baby carriage)	عربة طفل
32 high bar (bar)	جهاز العَقْلَة (عقلة)
33 go-cart (soap box)	عربة تتحرك بالبندال
34 starter's flag	راية اعلان بداية السباق
35 seesaw	نَوَّاسَة (أرْجُوحَة)
36 robot	إنسان آلي، روبوت
37 flying model aeroplanes (Am. airplanes)	نماذج طائرات
38 model aeroplane (Am. airplane)	نموذج طائرة
39 double swing	أرْجُوحَة مزدوجة
40 swing seat	مَقْعَد الأرْجُوحَة
41 flying kites	طائرات ورقية
42 kite	طائرة ورقية
43 tail of the kite	ذيل الطائرة الورقية
44 kite string	خيوط الطائرة الورقية
45 revolving drum	برميل دَوَّار
46 spider's web	بَيْت العنكبوت
47 climbing frame	إطار التسلق
48 climbing rope	حَبْل التسلق
49 rope ladder	سلم من الحبال
50 climbing net	شبكة التسلق
51 skateboard	لُوح التزلج
52 up-and-down slide	زحلوقة متعرجة ارتفاعاً وهبوطاً
53 rubber tyre (Am. tire) cable car	عربة كيبليَّة ذات دولايب مطاطي
54 rubber tyre (Am. tire)	دولايب مطاطي
55 tractor, a pedal car	جرار، عربة تسيير بالبندال
56 den	مَنْحَأ
57 presawn boards	ألواح خشبية جاهزة للتكريب
58 seat (bench)	مَقْعَد (أريكة)
59 Indian hut	كوخ هندي
60 climbing roof	سقف التسلق
61 flagpole (flagstaff)	صاري الراية
62 toy lorry (Am. toy truck)	شاحنة لَعْبَة

pieces) [black = B]	السوداء
6 letters and numbers for designating chess squares in the notation of chess moves and chess problems	حروف وأرقام تحديد مربعات الشطرنج عند التتبع إلى تحركات الشطرنج والمأزق
7 individual chessmen (individual pieces)	قطع الشطرنج الفردية
8 king	الملك
9 queen	المملكة (الوزير)
10 bishop	الغبيل
11 knight	الحصان
12 rook (castle)	الطابية (الرخ)
13 pawn	البندق
14 moves of the individual pieces	تحركات القطع الفردية
15 mate (checkmate), a mate by knight	إماتة الملك بالحصان
16 chess clock, a double clock for chess matches (chess championships)	ساعة الشطرنج، ساعة مزدوجة لمباريات الشطرنج (بطولات الشطرنج)
17-19 draughts (Am. checkers)	لعبة الداما (الضامة)
17 draughtboard (Am. checkerboard)	رقعة الداما
18 white draughtsman (Am. checker, checker-man); also: piece for backgammon and nine men's morris	قشاطر أبيض، أيضاً قشاطر للطاولة ولعبة المريا
19 black draughtsman (Am. checker, checker-man)	قشاطر أسود
20 salta	لعبة السالتا (القفز)
21 salta piece	قطعة القفز
22 backgammon board	رقعة الطاولة
23-25 nine men's morris	لعبة المريا
23 nine men's morris board	رقعة لعبة المريا
24 mill	الميل
25 double mill	ميل مزدوج
26-28 halma	لعبة الهالما
26 halma board	رقعة الهالما
27 yard (camp, corner)	ساحة (معسكر، زاوية)
28 halma pieces (halma men) of various colours (Am. colors)	قطع الهالما مختلفة الألوان
29 dice (dicing)	الذرد
30 dice cup	كأس الذرد
31 dice	زهر الذرد
32 spots (pips)	نقط حجر الدومينو
33 dominoes	أحجار لعبة الدومينو
34 domino (tile)	دومينو (حجر)
35 double	حجر زوجي
36 playing cards	ورق اللعب (الكوتشينة)
37 playing card (card)	ورقة الكوتشينة (كارت)
38-45 suits	نقوش ورق اللعب (الكوتشينة)

38 clubs	السباتي
39 spades	السفوني
40 hearts	القلب (الكوبه)
41 diamonds	الديناري (الكاروه)
42-45 German suits	نقوش الورق الألمانية
42 acorns	جوزة البلوط
43 leaves	ورقة الشجر
44 hearts	القلب
45 bells (hawkbells)	الجرس

277 Billiards	البيلياردو
1-19 billiards	لعبة البيلياردو
1 billiard ball, an ivory or plastic ball	كرة البيلياردو، كرة من العاج أو البلاستيك
2-6 billiard strokes	ضربات البيلياردو
2 plain stroke (hitting the cue ball dead centre, Am. center)	ضربة عادية (ضرب الكرة في مركزها الميت)
3 top stroke [promotes extra forward rotation]	ضربة علوية [لتوليد دوران أمامي إضافي]
4 screw-back [imparts a direct recoil or backward motion]	ضربة اللولبية العكسية [تؤدي إلى حركة حلزونية مباشرة أو حركة خلفية]
5 side (running side, Am. English)	ضربة الجانب الأيسر
6 check side	ضربة الجانب الأيمن
7-19 billiard room (Am. billiard parlor, billiard saloon, poolroom)	صالة البيلياردو

7 billiards (English billiards), sim. pool, carrom (carrom billiards)	البيلياردو، البيلياردو الإنجليزي، بالمثل البولة
8 billiards player	لاعب البيلياردو
9 cue (billiard cue)	عصا البيلياردو
10 leather cue tip	طرف العصا المصنوع من الجلد
11 white cue ball	الكرة البيضاء المدفوعة
12 red object ball	الكرة الحمراء المستهدفة
13 white spot ball (white dot ball)	كرة النقطة البيضاء
14 billiard table	طاولة البيلياردو
15 table bed with green cloth (billiard cloth, green baize covering)	أرضية الطاولة ذات غطاء قماش أخضر
16 cushions (rubber cushions, cushioned ledge)	بطانة حافة طاولة البيلياردو
17 billiard clock, a timer	ساعة البيلياردو، جهاز توقيت

18 billiard marker	لوحة تسجيل نتائج البيلياردو
19 cue rack	رف عصى البيلياردو
278 Camping and Caravanning (Am. Trailing)	إقامة المخيمات والكرافانات
1-59 camp site (camping site, Am. campground)	موقع المخيم/المعسكر
1 reception (office)	قاعة الاستقبال

2 site warden	مراقب موقع المخيم
3 folding trailer (collapsible caravan, collapsible trailer)	قطيرة قابلة للطي
4 hammock	أرجوحة شبكية النوم
5-6 washing and toilet facilities	مرافق الغسيل والمرحاض
5 toilets and washrooms (Am. lavatories)	المرحاض ودورات الغسيل
6 washbasins and sinks	أحواض الغسيل والبايوغات

7 bungalow (chalet)	البغلا (شاليف)
8-11 scout camp	معسكر الكشاف
8 bell tent	خيمة نافوسية الشكل
9 pennon	راية
10 camp fire	نار المعسكر
11 boy scout (scout)	صبي كشاف (كشاف)
12 sailing boat (yacht, Am. sailboat)	قارب شراعي (يخت)
13 landing stage (jetty)	رصيف الإرساء (المرسى)
14 inflatable boat (inflatable dinghy)	قارب نفخاخي

15 outboard motor (outboard)	محرك خارجي بموخرة القارب
16 trimaran	زورق مقعد المجدف
17 thwart (oarsman's bench)	مسند المجدف
18 rowlock (oarlock)	مجدف
19 oar	قطيرة القارب (عربة القارب)
20 boat trailer (boat carriage)	خيمة جبلية الشكل
21 ridge tent	غطاء الخيمة الخارجي
22 lysheet	شداة جبل تثبيت
23 guy line (guy)	وتد نصب الخيمة
24 tent peg (peg)	مطرقة خشبية
25 mallet	حلقة تثبيت فرش الأرضية
26 groundsheet ring	طرف نافوسي
27 bell end	ظلة منصوبة
28 erected awning	مصباح برفان
29 storm lantern, a paraffin lamp	كيس النوم
30 sleeping bag	مرتبة هوائية
31 air mattress (inflatable air-bed)	إناء الماء

32 water carrier (drinking water carrier)	جهاز طهي ذو مؤذنين يعمل بغاز البروبين أو البوتان
33 double-burner gas cooker for propane gas or butane gas	أسطوانة غاز البروبين أو البوتان
34 propane or butane gas bottle	طنجرة طهي بالضغط
35 pressure cooker	خيمة إطارية
36 frame tent	ظلة، تنده
37 awning	قائم الخيمة
38 tent pole	مدخل قوسي الشكل
39 meshlarch doorway	فتحة تهوية شبكية الشكل
40 mesh ventilator	نافذة شفافة
41 transparent window	رقم الخيمة
42 pitch number	

43 folding camp chair	كرسي مخيم قابل للطي
44 folding camp table	طاولة مخيم قابلة للطي
45 camping eating utensils	لوازم تناول الطعام في المخيم
46 camper	فرد في المخيم
47 charcoal grill (barbecue)	شواية تعمل بالفحم
48 charcoal	فحم
49 bellows	مفأخ
50 roof rack	شبكة سقف السيارة
51 roof lashing	حبل ربط أحمال فوق سقف السيارة

52 caravan (Am. trailer)	كرافان (قطيرة)
53 box for gas bottle	صندوق أسطوانة الغاز
54 jockey wheel	عجلة القطيرة
55 drawbar coupling	مقرن قضيب الجر
56 roof ventilator	فتحة تهوية سقفية
57 caravan awning	ظلة الكرافان
58 inflatable igloo tent	خيمة قبيلة قابلة للتمدد
59 camp bed (Am. camp cot)	سرير سفري يمكن طيه

279 Surf Riding (Surfing), Skin Diving

1-6 surf riding (surfing)	ركوب الأمواج المتكسرة
1 plan view of surfboard	منظر أفقي لركوب الأمواج المتكسرة
2 section of surfboard	مقطع عرضي لركوب الأمواج المتكسرة
3 skeg (stabilizing fin)	زنتعة موازنة
4 big wave riding	ركوب الأمواج العالية
5 surfer (surfer)	راكب الأمواج المتكسرة
6 breaker	موجة عارمة
7-27 skin diving (underwater swimming)	الغوص
7 skin diver (underwater swimmer)	غواص/غطاس

8-22 underwater swimming set	طاقم جهاز السباحة تحت الماء
8 knife	سكين
9 neoprene wetsuit	لباس غوص مطاطي (من مادة النيوبرين) قبّاع الغوص
10 diving mask (face mask, mask), a pressure-equalizing mask	الشفركل أنبوب التنفس أثناء السباحة تحت الماء
11 snorkel (schnorkel)	أخرمة تثبيت جهاز الغوص
12 harness of diving apparatus	مقياس ضغط الهواء المضغوط
13 compressed-air pressure gauge (Am. gage)	حزام القفل
14 weight belt	مقياس العمق
15 depth gauge (Am. gage)	ساعة ضد الماء لمتابعة فترة الغوص
16 waterproof watch for checking duration of dive	

11 diving pool	حمام الغطس
12 straight header	العمر و الذسم في وضع الاستقامة (فكرة مستقيمة)
13 feet-first jump	فكرة دخول الماء بالقدمين أولاً
14 tuck jump (haunch jump)	فكرة مَكْرَرة
15 swimming pool attendant (pool attendant, swimming bath attendant)	مراقب حمام السباحة
16-20 swimming instruction	تعليم السباحة
16 swimming instructor (swimming teacher)	مُدْرِب السباحة
17 learner-swimmer	شخص يتعلم السباحة
18 float; <i>sim.</i> : water wings	طُوف، عوامتان لمساعدة المبتدئ على السباحة
19 swimming belt (cork jacket)	حزام السباحة (سترة فلينية)
20 land drill	تدريب على الأرض
21 non-swimmers' pool	حمام سباحة للتعليم فقط
22 footbath	ممشى
23 swimmers' pool	حمام سباحة للسياح
24-32 freestyle relay race	سباق السباحة الحرة
24 timekeeper (lane time-keeper)	المقياتي
25 placing judge	قاضى الوصول
26 turning judge	قاضى التوّران
27 starting block (starting place)	منصة البدء
28 competitor touching the finishing line	منافس يلمس خط النهاية
29 starting dive (racing dive)	فكرة الغطس في بدء السباق
30 starter	حكم الانطلاق
31 swimming lane	حارة السباحة
32 rope with cork floats	حبل مزود بطوافات فلينية
33-39 swimming strokes	الضربات المنتظمة
33 breaststroke	للذراعين في السباحة
34 butterfly stroke	ضربة سباحة الصدر
35 dolphin butterfly stroke	ضربة سباحة الفراشة
	الذراعين في السباحة
36 side stroke	ضربة سباحة الجانبيّة
37 crawl stroke (crawl); <i>sim.</i> : trudgen stroke (trudgen, double over-arm stroke)	ضربة سباحة الكرول، السباحة الحرة
38 diving (underwater swimming)	الغوص (السباحة تحت الماء)
39 treading water	المشي في الماء
40-45 diving (acrobatic diving, fancy diving, competitive diving, highboard diving)	الغطس (الغطس الاكروبياتي / مسابقات الغطس)
40 standing take-off pike dive	فكرة من وضع الوقوف ثم الارتقاء
41 one-half twist isander	فكرة مع نصف دوّرة (فكرة

17 decometer for measuring stages of ascent	ديكومتر لقياس مراحل الصعود
18 fin (flipper)	زعنفة
19 diving apparatus (aqualung, scuba) with two cylinders (bottles)	جهاز غوص ذو أسطوانتين
20 two-tube demand regulator	منظّم دفق الهواء ذو أنبوبتين
21 compressed-air cylinder (compressed-air bottle)	أسطوانة هواء مضغوط
22 on/off valve	صمام الفتح/الغلق
23 underwater photography	التصوير تحت الماء
24 underwater camera	كاميرا للتصوير تحت الماء
25 underwater flashlight	فلاش للتصوير تحت الماء
26 exhaust bubbles	فقاعات الهواء المُستَقَد
27 inflatable boat (inflatable dinghy)	قارب نفّاحي
280 Bathing Beach	شاطئ الاستحمام
1 lifesaver (lifeguard)	غُصّاس/سباح مُنقذ (المشرفين على الغرق)
2 lifeline	حبل الانقاذ
3 lifebelt (lifebuoy)	طُوق النجاة من الغرق
4 storm signal	إشارة العاصفة
5 time ball	كرة الوقت
6 warning sign	لافتة تحذير
7 tide table, a notice board showing times of low tide and high tide	لوحة إعلان أوقات المدّ والجذر
8 board showing water and air temperature	لوحة اعلان درجتي حرارة المياه والجو
9 bathing platform	لسان الاستحمام
10 pennon staff	صاري الراية
11 pennon	راية
12 paddle boat (pedal boat)	قارب بعجلات تجديد
13 surf riding (surfing) behind motorboat	ركوب الأمواج المتكسّرة خلف قارب بمحرك
14 surfboarder (surfer)	راكب الأمواج المتكسّرة
15 surfboard	لوح ركوب الأمواج المتكسّرة
16 water ski	التزلج فوق الماء
17 inflatable beach mattress	مراتب شاطئ نفّاحية
18 beach ball	كرة البحر
19-23 beachwear	لباس الشاطئ
19 beach suit	بذلة شاطئ
20 beach hat	قبعة شاطئ
21 beach jacket	سترة شاطئ
22 beach trousers	سروال شاطئ
23 beach shoe (bathing shoe)	حذاء شاطئ
24 beach bag	حقية شاطئ
25 bathing gown (bathing wrap)	عباءة الاستحمام (البرنس)
26 bikini (ladies' two-piece bathing suit)	مايوه بكني، لباس استحمام من قطعتين

27 bikini bottom	اللسيدات
28 bikini top	القطعة السفليّة من البكني
29 bathing cap (swimming cap)	القطعة العلويّة من البكني
30 bath	طاقية الاستحمام
31 deck tennis (quoits)	سابع، مُستجِم
32 rubber ring (quoit)	لُعْبَةُ الكَتّ
33 inflatable rubber animal	حلقة مطاطية (الكت)
34 beach attendant	لُعْبَةُ مطاطية بشكل حيوان
35 sand castle	قابلة للنفخ
36 roofed wicker beach chair	مراقب الشاطئ
37 underwater swimmer	قلعة من الرمال
38 diving goggles	كرسي شاطئ، مُنقَوَف
39 snorkel (schnorkel)	مصنوع من الألمود
40 hand harpoon (fish spear, fish lance)	غواص
41 fin (flipper) for diving (for underwater swimming)	نظارات الغوص
42 bathing suit (swimsuit)	الشركل
43 bathing trunks (swimming trunks)	حزبة يدوية (زنج لإصطيد السمك)
44 bathing cap (swimming cap)	زعيقة الغوص
45 beach tent, a ridge tent	
46 lifeguard station	
281 Swimming Bath (Leisure Centre, Am. Center)	حمام السباحة (مركز ترفيهي)
1-9 wave pool, an indoor pool	حمام سباحة ذو أمواج اصطناعية، حمام سباحة مغطى
1 artificial waves	أمواج اصطناعية
2 beach area	منطقة الشاطئ
3 edge of the pool	حافة حمام بركة السباحة
4 swimming pool attendant (pool attendant, swimming bath attendant)	مراقب حمام بركة السباحة
5 sun bed	معدّ الاستلقاء في الشمس، معدّ الحمام الشمسي
6 lifebelt	طُوق نجاة
7 water wings	عوامتان لمساعدة المبتدئ على السباحة
8 bathing cap	طاقية الاستحمام
9 channel to outdoor mineral bath	قناة تؤدي الى بركة مياه معدنية خارجية (مكتشوفة)
10 solarium	الشمس
11 sunbathing area	منطقة تريض الجسم للشمس (الحمام الشمسي)
12 sunbather	أحد المستلقين في الحمام الشمسي
13 sun ray lamp	طاقة دخول الأشعة الشمسية
14 bathing towel	منشفة استحمام، بشكير
15 nudist sunbathing area	منطقة الحمام الشمسي

16 nudist (naturist)	للغرة شخص عار
17 screen (fence)	حاجز (سياج)
18 mixed sauna	حمام ساونا مُختلط
19 wood panelling (<i>Am.</i> paneling)	تكسية من الألواح الخشبية
20 tiered benches	نصعد متعدد الدَرَجَات
21 sauna stove	مُوقِد الساونا
22 stones	حجارة
23 hygrometer	هايجرومتر جهاز قياس الرطوبة النسبية في الجو
24 thermometer	ترمومتر مقياس الحرارة
25 towel	منشفة
26 water tub for moistening the stones in the stove	حوض خشبي لترطيب حجارة الموقد
27 birch rods (birches) for beating the skin	عيدان من خشب السدر لضرب البشرة
28 cooling room for cooling off (cooling down) after the sauna	حجرة تبريد الجسم بعد الساونا
29 lukewarm shower	دش دافئ
30 cold bath	حمام بارد
31 hot whirlpool (underwater massage bath)	حمام تدليك دوامي ساخن (حمام تدليك تحت الماء)، جاكوزي
32 step into the bath	عتبة الحمام
33 massage bath	حمام التدليك
34 jet blower	نافورة نفّاحة
35 hot whirlpool (diagram)	رسم تخطيطي لحمام التدليك الدوامي الساخن
36 section of the bath	قطاع من الحمام
37 step	درجة (عتبة)
38 circular seat	معدّ دائري
39 water extractor	فتحة خروج الماء
40 water jet pipe	أنبوب نفث الماء (نافورة)
41 air jet pipe	أنبوب نفث الهواء
282 Swimming	السباحة
1-32 swimming pool, an open-air swimming pool	حمام السباحة، حمام سباحة مكشوف
1 changing cubicle	مقصورة تغيير الملابس
2 shower (shower bath)	الدش
3 changing room	غرفة تغيير الملابس
4 sunbathing area	منطقة الحمام الشمسي
5-10 diving boards (diving apparatus)	مُصَضّات/ألواح الغطس (جهاز الغطس)
5 diver (highboard diver)	غاطس
6 diving platform	منصة الغطس
7 ten-metre (<i>Am.</i> ten-meter) platform	منصة الغطس من ارتفاع عشرة أمتار (سلم ثابت)
8 five-metre (<i>Am.</i> five-meter) platform	منصة الغطس من ارتفاع خمسة أمتار (سلم ثابت)
9 three-metre (<i>Am.</i> three-meter) springboard (diving board)	لوحة الغطس من ارتفاع ثلاثة أمتار (سلم متحرك)
10 one-metre (<i>Am.</i> one-meter) springboard	منصة الغطس من ارتفاع متر واحد (سلم متحرك)

31 tiller extension (hukup stick)	السكّاب ذو الدفة
32 tiller	السكّاب
33 rudderhead (rudder stock)	رأس الدفة
34 rudder blade (rudder)	رأس الدفة
35 transom	رأسه أفقية
36 drain plug	سدادة تصريف
37 gooseneck	عنق إوزة
38 window	نافذة، شباك
39 boom	ذراع تطويل قاعدة الشراع
40 foot	قاعدة الشراع
41 clew	الكظامة
42 luff (leading edge)	حافة الشراع الأمامية
43 leech pocket (batten cleat, batten pocket)	جيب الضلع العمودي في الشراع
44 batten	شريحة خشبية
45 leech (trailing edge)	ضلع حافة الشراع
46 mainsail	الشراع الرئيسي
47 headboard	اللوح الرأسية بالشراع
48 racing flag (burgee)	راية السباق
49-65 yacht classes	فئات اليخوت
49 Flying Dutchman	فلاينج داتشمان
50 O-Joller	أو-جوللر
51 Finn dinghy (Finn)	الفنّ
52 pirate	البهازيات
53 12.00 m ² sharpie	شاربي 12 م ²
54 tempest	تمبيست
55 star	ستار
56 soling	سولينغ
57 dragon	دراجون
58 5.5-metre (Am. 5.5-metre) class	يخت فئة 5.5 م
59 6-metre (Am. 6-metre) R-class	يخت فئة 6-6 أمتار
60 30.00 m ² cruising yacht (coastal cruiser)	يخت ساحلي 30 م ²
61 30.00 m ² dinghy cruiser	زورق تنزه 30 م ²
62 25.00 m ² one-design keelboat	زورق الكلت 25 م ²
63 KR-class	فئة كيه آر
64 catamaran	القطمران
65 twin hull	بثن مزدوج
285 Sailing II	الإبحار الشراعي (2)
1-13 points of sailing and wind directions	الإبحار بمحاذاة الريح واتجاهات الريح
1 sailing downwind (running)	الإبحار تجاه الريح
2 mainsail	الشراع الرئيسي
3 jib	شراع السارية الأمامية
4 sails set goose-winged	أشرعة منشورة بشكل جناح إوزة
5 centre (Am. center) line	خط المنتصف
6 wind direction	اتجاه الريح
7 yacht stopped head to wind	يخت متوقف ومقدمته قبالة الريح
8 sail, shivering	شراع يرتجف
9 luffing	إدارة رأس القارب نحو

(reverse dive)	عكسية	24 boathouse	عنبر القوارب
42 backward somersault (double backward somersault)	قفزة السمرسولت الخلفية (إدورة و نصف خلفية مكوّرة)	25 club's flag	راية النادي
43 running take-off twist dive	قفزة مع لفة كاملة من وضع الجري والارتقاء	26-33 four-oared gig, a touring boat	قارب الجيغ الرباعي
44 screw dive	قفز مع اللف حول المحور	26 oar	مجدّاف
45 standstill dive (handstand dive)	القفز من وضع الوقوف على اليدين	27 cox's seat	مقعّد قائد الدفّة
6-50 water polo	كرة الماء	28 thwart (seat)	مقعّد متحرك للمجدّاف
46 goal	المرمي	29 rowlock (oarlock)	ماسك المجدّاف (الشكرمة)
47 goalkeeper	حارس المرمى	30 gunwale (gunnel)	الشفير الحافة العليا
48 water polo ball	الكرة (كرة الماء)	31 rising	لوح عمودي لربط الضلوع
49 back	مُدافع، ظهر	32 keel	رافدة القص، صالب القاعدة
50 forward	مُهاجم	33 skin (shell, outer skin) [clinker-built]	القشرة الخارجية للقارب
283 Rowing and Canoeing	التجديف وسباقات التجديف	34 single-bladed paddle (paddle)	مجدّاف ذو كفة واحدة
1-18 taking up positions for the regatta	أخذ الأماكن استعداداً لبدء السباق	35-38 oar (scull, skull)	مجدّاف
1 punt, a pleasure boat	البُنط، قارب للتنزه ذو قاع منطّح يدفع بواسطة عصا طويلة تمس قاع النهر	35 grip	مقبض
2 motorboat	قارب بمحرك	36 leather sheath	غلاف جلديّ
3 Canadian canoe	قارب الكنوّ الكندي	37 shaft (neck)	ساق (عنق)
4 kayak (Alaskan canoe, slalom canoe), a canoe	قارب الكيّاك	38 blade	كفة المجدّاف
5 tandem kayak	كيّاك زوجيّ	39 double-bladed paddle (double-ended paddle)	مجدّاف ذو كفتين
6 outboard motorboat (outboard speedboat, outboard)	قارب بمحرك خارجي (في مؤخرته)	40 drip ring	حلقة نائثة لرد قطرات الماء
7 outboard motor (outboard)	مُحرك خارجي بمؤخرة القارب	41-50 sliding seat	مقعّد منزلق/متحرك
8 cockpit	كابينة القيادة	41 rowlock (oarlock)	ماسك المجدّاف (الشكرمة)
9-16 racing boats (sportsboats)	قوارب السباق	42 outrigger	ذراع امتداد عرضي
9-15 shells (rowing boats, Am. rowboats)	قوارب التجديف	43 saxboard	حافة مسطوية
9 coxless four, a carvel-built boat	قارب رباعي بدون قائد دفة	44 sliding seat	مقعّد منزلق/متحرك
10 eight (eight-oared racing shell)	قارب ثماني مع قائد دفة	45 runner	مجريّ انزلاق المقعد
11 cox	قائد الدفة	46 strut	دعامة انضغاطية
12 stroke, an oarsman	فرد جدّاف، مُجدّف	47 stretcher	عارضة ممتدة
13 bow ("number one")	المجدّف الأمامي	48 skin (shell, outer skin)	القشرة الخارجية للقارب
14 oar	مجدّاف	49 frame (rib)	هيكل (ضلع)
15 coxless pair	قارب زوجي بدون قائد دفة	50 keelson (keelson)	الكلسون عارضة طولية تشد فوق رافدة القص
16 single sculler (single skuller, racing sculler, racing skuller, skiff)	قارب فردي	51-53 rudder (steering rudder)	الدفة (دفة توجيه القارب)
17 scull (skull)	مجدّاف صغير	51 yoke	مقرن
18 coxed single, a clinker-built single	قارب فردي بقائد دفة	52 lines (steering lines)	حبلان (حبلان التوجيه)
19 jetty (landing stage)	منصة إرساء، رصيف	53 blade (rudder blade, rudder)	راحة الدفة (الدفة)
20 rowing coach	مدرب تجديف	54-66 folding boats	قوارب قابلة للطي
21 megaphone	ميجافون مكبر صوت	54 one-man kayak	كيّاك فردي
22 quayside steps	درجات سلّم الرصيف	55 canoeist	مجدّف قارب الكنوّ
23 clubhouse (club)	مبنى النادي	56 spraydeck	سطح احتجاز رذاذ الماء
		57 deck	ظهر القارب
		58 rubber-covered canvas hull	بثن القارب مصنوع من قماش القنب مغطى بالمطاط
		59 cockpit coaming (coaming)	جدار القارب
		60 channel for rafts along-side weir	قناة الألؤاف بامتداد سد
		61 two-seater folding kayak, a touring kayak	كيّاك زوجي قابل للطي، قارب كياك للتنزه
		62 sail of folding kayak	شراع الكيّاك القابل للطي
		63 leeboard	لوح جانب القارب

10 sailing close-hauled	الرياح الإبحار في اتجاه مُعاكس للرياح جهَّه الإمكان	45 cruiser stern	كُوَئِل زَوْرَق التَّنَزُّه	bower anchor	مُرْسَاة خَفِيفَة الِوزن	49 signal for "faster"	إشارة "أسرع"
11 sailing with wind abeam	الإبحار والرياح مُقابِلة لمنتصف جانب القارب	46 name plate	لَوْحَة الاسم	16-18 lightweight anchor	مُرْسَاة خَفِيفَة الِوزن	50 signal for "slower"	إشارة "أبطأ"
12 sailing with free wind	الإبحار في رياح حرة الاتجاه	47 deadwood	خَشَب يابِس	16 CQR anchor (plough, Am. plow, anchor)	مُرْسَاة مَجْرَافِيَّة	51 signal for "speed OK"	إشارة "السرعة جيدة"
13 quartering wind (quarter wind)	رياح تهب على جزء من جانب القارب قريب من مُؤخَّرته	48 transom stern	كُوَئِل بَرَأفَة أُفقيَّة	17 stowless anchor (patent anchor)	مُرْسَاة بدون عارضَة	52 signal for "turn"	إشارة "تحوّل"
14-24 regatta course	مُضمار سباق القوارب	49 transom	رافدة أُفقيَّة	18 Danforth anchor	مُرْسَاة دانفورت	53 signal for "stop"	إشارة "أوقف المُحرَك"
14 starting and finishing buoy	عوامة بدء وانتهاء السباق	50-52 timber planking (clench planking)	تَلْوِيع الخَشَب	19 life raft	طُوف النجاة	54 signal for "return to jetty" ('back to dock')	إشارة "عد إلى المرسي"
15 committee boat	قارب لجنة السباق	50 outside strake	صفيحة الواح طولية خارجية	20 life jacket	سُرَّة النجاة	56-62 types of water ski	أنواع الزلاجات
16 triangular course (regatta course)	مُضمار مُثلثي (مُضمار السباق)	51 frame (rib)	صُلب	21-44 powerboat racing	سباق القوارب البخارية	56 trick ski (figure ski), a monoski	زلاجة الترحكات، زلاجة منفردة
17 buoy (mark) to be rounded	عوامة يتم الدوران حولها	52 clenched nail (riveted nail)	مسامر مُثبَّت بإحكام	21 catamaran with out-board motor	القَطَمَران. طُوف ذو مُحرَك بالمؤخرة	57-58 rubber binding	رباط القدم الأمامية
18 buoy to be passed	عوامة يتم اجتيازها	53 carvel planking	تَلْوِيع انسيابي	22 hydroplane	الطائرة المائية زورق بخاري سريع	57 front foot binding	رباط القدم الأمامية
19 first leg	المرحلة الأولى	54 ribband-carvel construction	تَلْوِيع انسيابي مع ضمامة	23 racing outboard motor	مُحرَك المؤخرة لقارب السباق	58 heel flap	حاشية الكعب
20 second leg	المرحلة الثانية	55 ribband, a stringer	ضمامة	24 tiller	ذراع الدفة	59 strap support for second foot	سناد الرباط الخاص بالقدم الثانية
21 third leg	المرحلة الثالثة	56 diagonal carvel planking	تَلْوِيع انسيابي مائل	25 fuel pipe	أنبوب الوقود	60 slalom ski	زلاجة التَّعْرُج
22 windward leg	مرحلة مواجهة هبوب الريح	57 inner planking	تَلْوِيع داخلي	26 transom	رافدة مستعرضة	61 skeg (fixed fin, fin)	زعنفة ثابتة
23 downwind leg	مرحلة في اتجاه هبوب الريح	286 Motorboats (Powerboats), Water Skiing	القوارب البخارية، رياضة الانزلاق على سطح الماء	27 buoyancy tube	أنبوبية الطفو	62 jump ski	زلاجة القفز
24 reaching leg	مرحلة بلوغ منتصف المسافة	1-5 motorboats (powerboats, sportsboats)	القوارب البخارية	28 start and finish	البداية والنهاية	63 hovercraft (air-cushion vehicle)	حواصة (مركبة بوسادة هوائية)
25-28 tacking	تغيير اتجاه القارب	1 inflatable sportsboat with outboard motor (outboard inflatable)	قارب نفخاخي ذو موتور خارجي بالمؤخرة	29 start	البداية	64 propeller	رفاقص، مروحة
25 tack	وجهة القارب	2 Z-drive motorboat (outdrive motorboat)	قارب بخاري بمُحرَك زودياك خارجي	30 starting and finishing line	خط البداية والنهاية	65 rudder	الندفة
26 gybing (jibing)	انحراف الشراع من جانب إلى آخر فجأة	3 cabin cruiser	طُوف ذو كابينة قيادة	31 buoy to be rounded	طافية يُدار حولها	66 skirt enclosing air cushion	غلاف يحيط بالوسادة الهوائية
27 going about	انطلاق القارب	4 motor cruiser	طُوف ذو مُحرَك	32-37 displacement boats	قوارب تعمل بنظام إزاحة الماء	287 Gliding (Soaring)	الطيران الشراعي
28 loss of distance during the gybe (jibe)	فقدان المسافة أثناء انحراف الشراع	5 30-metre (Am. 30-metre) oceangoing cruiser	طُوف للإبحار في المحيطات طولُه 30مترا	32-34 round-bilge boat	قارب مستدير الجوف	1 acroplane (Am. air-plane) tow launch (acrotowing)	القَطَر الجوي بالطائرة
29-41 types of yacht hull	أنواع بدن اليخت	6 association flag	راية الرابطة/القباية	32 view of hull bottom	منظر قاع بدن القارب	2 tug (towing plane)	طائرة القَطَر
29-34 cruiser keelboat	كلبت التَّنَزُّه	7 name of craft (or: registration number)	اسم القارب (أو رقم التسجيل)	33 section of fore ship	قطاع مقدمة القارب	3 towed glider (towed sailplane)	طائرة شراعية مقطورة
29 stern	كُوَئِل	8 club membership and port of registry (Am. home port)	عضوية النادي وميناء التسجيل	34 section of aft ship	قطاع مؤخرة القارب	4 tow rope	حبل القَطَر
30 spoon bow	مُقدَّم مِلْعَقِي	9 association flag on the starboard crosstrees	راية الرابطة فوق منصة الصاري الأيمن	35 view of hull bottom	منظر قاع بدن القارب	5 winched launch	الإطلاق الوشني
31 waterline	خط الماء	10-14 navigation lights of sportsboats in coastal and inshore waters	أضواء الملاحة بالقوارب في المياه الساحلية وقرب الساحل	36 section of fore ship	قطاع مقدمة القارب	6 motor winch	ونش ذو مُحرَك
32 keel (ballast keel)	رافدة القص	10 white top light	ضوء أبيض علوي	37 section of aft ship	قطاع مؤخرة القارب	7 cable parachute	مظلة كيبلية
33 ballast	صابورة	11 green starboard side-light	ضوء أخضر جانبي في اليمين	38-44 planing boats (surface skimmers, skimmers)	القوارب السريعة	8 motorized glider (powered glider)	طائرة شراعية بمُحرَك
34 rudder	دفة	12 red port sidelight	ضوء أحمر جانبي	38-41 stepped hydroplane (stepped skimmer)	طائرة مائية تدرجية (قارب سريع تدرجي)	9 high-performance glider (high-performance sailplane)	طائرة شراعية عالية الأداء
35 racing keelboat	كلبت سباق	13 green and red bow light (combined lantern)	ضوء أحمر جانبي ضوء مقدمة القارب الأخضر والأحمر (فانوس مزدوج)	38 side view	منظر جانبي	10 T-tail (T-tail unit)	ذيل تائي الشكل
36 lead keel	رافدة قص متقدمة	14 white stern light	ضوء مؤخرة السفينة الأبيض	39 view of hull bottom	منظر قاع بدن القارب	11 wind sock (wind cone)	مخروط الريح
37-41 keel-centreboard (Am. centerboard) yawl	يول برافدة قص ولوح مركزي	15-18 anchors	أنواع المرساة	40 section of fore ship	قطاع مقدمة القارب	12 control tower (tower)	برج المراقبة
37 retractable rudder	دفة قابلة للضم	15 stocked anchor (Admiralty anchor), a	مرساة هليبية	41 section of aft ship	قطاع مؤخرة القارب	13 glider field	حقل الطائرات الشراعية
38 cockpit	كابينة القيادة			42 three-point hydroplane	طائرة مائية ثلاثية النقط	14 hangar	عُنْبَر الطائرات
39 cabin superstructure (cabin)	أجزاء الكابينة			43 fin	زعنفة	15 runway for aeroplanes (Am. airplanes)	مدرج الطائرات
40 straight stem	جُوخُو مستقيم			44 float	طُوف	16 wave soaring	التحليق الموجي
41 retractable centre-board (Am. center-board)	لوح مركزي قابل للضم			45-62 water skiing	التزلج على الماء	17 lee waves (waves, wave system)	أمواج مع اتجاه الريح
42-49 types of yacht stern	أنواع كُوَئِل اليخت			45 water skier	ممارس رياضة التزلج على الماء	18 rotor	طيران دوامي
42 yacht stern	كُوَئِل يخت			46 deep-water start	البداية في الماء العميق	19 lenticular clouds (lenticulars)	سُحب عدسية الشكل
43 square stern	كُوَئِل مَرَبَّع			47 tow line (towing line)	حبل السحب	20 thermal soaring	التحليق بواسطة الكتل الهوائية الصاعدة
44 canoe stern	كُوَئِل الكنو			48 handle	مقبض	21 thermal	تيار هوائي دافئ صاعد

5 white breeches	بشمال أبيض
6 top hat	قبعة رسمية
7 gait (<i>also</i> : school figure)	مشية الفرس
8-14 show jumping	القفز الاستعراضى
8 obstacle (fence), an almost-fixed obstacle; <i>sim.</i> : gate, gate and rails, palisade, oxer, mound, wall	حاجز، بوابة، مانع
9 jumper	فرس قفز
10 jumping saddle	سرج قفز الحواجز
11 girth	حزام السرج
12 snaffle	شكّمة
13 red coat (hunting pink, pink; <i>also</i> : dark coat)	سترة حمراء (أيضاً سوداء)
14 hunting cap (riding cap)	كاب فروسية
15 bandage	عصابة
16-19 three-day event	مسابقة الأيام الثلاثة
16 endurance competition	مسابقة قوة التحمل
17 cross-country	الضاحية
18 helmet (<i>also</i> : hard hat, hard hunting cap)	خوذة
19 course markings	رماية تحديد المضمار
20-22 steeplechase	سباق الحواجز
20 water jump, a fixed obstacle	قفز المانع المائي
21 jump	قفزة
22 riding switch	سوط الفرس
23-40 harness racing (harness horse racing)	سباق الخيل بكامل عدتها
23 harness racing track (track)	مضمار سباق الخيل بكامل عدتها
24 sulky	عربة الصلّكية
25 spoke wheel (spoked wheel) with plastic wheel disc (disk)	دولاب مبرمق ذو قرص بلاستيكي
26 driver in trotting silks	سائق العربة بزيه الملون
	باللون الخاص بالاسطول الذي ينتمي إليه
27 rein	عنان الفرس
28 trotter	فرس يخب
29 piebald horse	فرس أرقط/ أبقع
30 shadow roll	شريط تحكم
31 elbow boot	وقاء المرفق
32 rubber boot	وقاء مفاطلي
33 number	رقم
34 glass-covered grandstand with totalizer windows (tote windows) inside	مدرج مسطوف مغطى بالزجاج به شبانيك المرأهات المشتركة
35 totalizer (tote)	شبانك المرأهات المشتركة
36 number	رقم
37 odds (price, starting price, price offered)	سعر مرأهة (السعر المعروف)
38 winners' table	لوحة الفائز
39 winner's price	سعر الفائز
40 time indicator	مبين الوقت

دائرة وسطية [نصف القطر 50 متراً]	58 middle circle [radius 50 m]
دائرة خارجية [نصف القطر 100 متر]	59 outer circle [radius 100 m]
أوضاع السقوط الحر	60-62 free-fall positions
وضع فتح الذراعين والساقين	60 full spread position
وضع الصدر	61 frog position
الوضع الثاني	62 T position
ركوب المنطاد	63-84 ballooning
منطاد غاز	63 gas balloon
عربة مستطيلة (سلة المنطاد)	64 gondola (balloon basket)
ثقل موازنة (أكياس رمل)	65 ballast (sandbags)
خيل المرسة	66 mooring line
طوق	67 hoop
معدات الطيران	68 flight instruments (instruments)
خيل خلفي	69 trail rope
عقن المنطاد	70 mouth (neck)
خيل عقن المنطاد	71 neck line
لوحة إطلاق غاز المنطاد	72 emergency rip panel
في حالة الطوارئ	
خيل إطلاق غاز المنطاد في حالة الطوارئ	73 emergency ripping line
شبكة	74 network (net)
لوحة إطلاق غاز المنطاد	75 rip panel
خيل إطلاق غاز المنطاد	76 ripping line
صمام	77 valve
خيل الصمام	78 valve line
منطاد الهواء الساخن	79 hot-air balloon
منصة المؤبد	80 burner platform
فوهة	81 mouth
فتحة تهوية	82 vent
لوحة إطلاق غاز المنطاد	83 rip panel
إطلاق المنطاد	84 balloon take-off
نماذج الطائرات الطائرة	85-91 flying model aeroplanes (<i>Am.</i> airplanes)
نموذج طيران يتم التحكم فيه عن بُعد باللاسلكي	85 radio-controlled model flight
نموذج طيران حر يتم التحكم فيه عن بُعد	86 remote-controlled free flight model
لاسلكي التحكم عن بُعد هوائي	87 remote control radio
	88 antenna (transmitting antenna)
نموذج يتم التحكم فيه بواسطة خيل	89 control line model
نظام تحكم أحادي الخيل	90 mono-line control system
بيت صغير طائر	91 flying kennel, a K9-class model

طائرة ذات مقعدتين للسياقات والبهلوانيات الجوية	218 two-seater plane for racing and aerobatics
كابينة هوائية	219 cabin
زعنفة موازنة رأسية	20 antenna
ذفة	21 vertical stabilizer (vertical fin, tail fin)
لوحة الذيل (زعنفة موازنة أفقية)	22 rudder
سطح رافع	23 tailplane (horizontal stabilizer)
سطح توازن إضافي	24 elevator
بدن الطائرة	25 trim tab (trimming tab)
جناح	26 fuselage (body)
جنيح	27 wing
قلاية الهبوط	28 aileron
سطح توازن إضافي	29 landing flap
لمبة ضوء الملاحة	30 trim tab (trimming tab)
[أحمر]	31 navigation light (position light) [red]
لمبة ضوء الهبوط	32 landing light
وحدة عجلات الهبوط الرئيسية	33 main undercarriage unit (main landing gear unit)
عجلة المقعدة	34 nose wheel
محرك	35 engine
مروحة	36 propeller (airscrew)
رياضة القفز بالمظلة	37-62 parachuting (sport parachuting)
مظلة، براشوت	37 parachute
قبة المظلة	38 canopy
مظلة دليّبة	39 pilot chute
أحبال التعليق	40 suspension lines
خيل التوجيه	41 steering line
ماسورة صاعدة	42 riser
أحزمة	43 harness
خيل	44 pack
نظام الشقوق في المظلة الرياضية	45 system of slots of the sports parachute
شقوق الدوران	46 tum slots
قبة القبة	47 apex
خافطة	48 skirt
لوحة موازنة	49 stabilizing panel
أسلوب القفز	50, 51 style jump
قفزة دورانية إلى الخلف	50 back loop
قفزة لولبية	51 spiral
الإشارات الأرضية	52-54 ground signals
إشارة "الإذن للقفز" ("الظروف آمنة")	52 signal for 'permission to jump' ('conditions are safe') (target cross)
إشارة "القفز بالمظلة معلق - أريد الطيران"	53 signal for 'parachuting suspended - repeat flight'
إشارة "القفز بالمظلة معلق - يجب هبوط الطائرة"	54 signal for 'parachuting suspended - aircraft must land'
قفزة الذفة	55 accuracy jump
الهدف المحدد	56 target cross
دائرة داخلية [نصف القطر 25 متراً]	57 inner circle [radius 25 m]

مضبوط المزج	16 mixture control
معدات اللاسلكي	17 radio equipment
عصا القيادة	14 control column (control stick)
ذراع التحكم في الخابنق	15 throttle lever (throttle control)
مضبوط المزج	16 mixture control
معدات اللاسلكي	17 radio equipment

سحب ركابية	22 cumulus cloud (heap cloud, cumulus, wool-pack cloud)
التحليق بصدر العاصفة	23 storm-front soaring
صدر العاصفة	24 storm front
تيار هوائي جبهتي صاعد	25 frontal upcurrent
ركام مزني	26 cumulonimbus cloud (cumulonimbus)
التحليق المتذبذب	27 slope soaring
تيار هوائي جبلي صاعد	28 hill upcurrent (orographic lift)
جناح متعدد الضخد	29 multispar wing
العضد الرئيسي	30 main spar, a box spar
تركيبية توصيلية	31 connector fitting
ضلع تثبيت	32 anchor rib
عضد أفقي	33 diagonal spar
الحافة الأمامية	34 leading edge
الضلع الرئيسي	35 main rib
ضلع أمامي (ضلع زائف)	36 nose rib (false rib)
الحافة الخلفية	37 trailing edge
قلاية الكبح	38 brake flap (spoiler)
قابضة التوائية	39 torsional clamp
غلاف خارجي	40 covering (skin)
جنيح	41 aileron
طرف الجناح	42 wing tip
الطيران بشراع التحليق	43 hang gliding
شراع التحليق	44 hang glider
ربان شراع التحليق	45 hang glider pilot
إطار التحكم في شراع التحليق	46 control frame
288 Aerial Sports (Airsports)	الرياضات الجوية
1-9 aerobatics (aerobatic manoeuvres, <i>Am.</i> maneuvers)	بهلوانيات جوية
1 loop	اقلاب، تحلق
2 horizontal eight	شكل 8 أفقي
3 rolling circle	دائرة عطوف
4 stall turn (hammer head)	عطوف انهياري
5 tail slide (whip stall)	انزلاق بالذيل (انهيار سوطي)
6 vertical flick spin	دوران لولبي رأسي صاعد
7 spin	هبوط لولبي سريع
8 horizontal slow roll	ترجع أفقي بطي
9 inverted flight (negative flight)	طيران مقلوب (طيران سالب)
10 cockpit	كابينة القيادة
11 instrument panel	لوحة الآلات
12 compass	بوصلة
13 radio and navigation equipment	معدات اللاسلكي والملاحة
14 control column (control stick)	عصا القيادة
15 throttle lever (throttle control)	ذراع التحكم في الخابنق

54 substitute	بديل
55 coach	مدرب
56 shirt (jersey)	قميص ، فائلة
57 shorts	سروال قصير ، شورت
58 sock (football sock)	شُرَاب ، جُورِب
59 linesman	مُرَاقِب الخطّ
60 linesman's flag	رَايَة مُرَاقِب الخطّ
61 sending-off	طُرْد من المَلْعَب
62 referee	الحَكَم
63 red card; also: yellow card	بطاقة حمراء ، أيضاً بطاقة صفراء
64 centre (Am. center) flag	راية منتصف الملعب
292 Ball Games II (2) ألعاب الكرة (2)	
1 handball (indoor handball)	كرة اليد
2 handball player, a field player	لاعب كرة اليد
3 attacker, making a jump throw	مهاجم يقوم بقفزة للتسديد
4 defender	مدافع
5 penalty line	خط منطقة الجزاء
6 hockey	الهوكي
7 goal	المرمى
8 goalkeeper	حارس المرمى
9 pad (shin pad, knee pad)	وقاء (واقٍ للساق ، واقٍ للركبة)
10 kicker	حذاء ثقيل لرد الكرة
11 face guard	قناع واقٍ
12 glove	قفاز
13 hockey stick	عصا لعبه الهوكي
14 hockey ball	كرة الهوكي
15 hockey player	لاعب الهوكي
16 striking circle	دائرة الهدف
17 sideline	الخطّ الجانبي
18 corner	ركن الملعب
19 rugby (rugby football)	الروكبي
20 scrum (scrummage)	وضّغ التشابك
21 rugby ball	كرة الروكبي
22 American football (Am. football)	كرة القدم الأمريكية
23 player (football player) carrying the ball	لاعب يحمل الكرة
24 helmet	خوذة
25 face guard	وقاء الوجه
26 padded jersey	قميص مبطن
27 ball (pigskin)	كرة (من جلد الخنزير)
28 basketball	لعبة كرة السلة
29 basketball	كرة السلة
30 backboard	اللوحة الخلفية
31 backboard support	حامل لوحة السلة
32 basket	سلة
33 basket ring	حلقة السلة
34 target rectangle	مستطيل الهدف
35 basketball player shooting	لاعب يصوب الكرة في السلة
36 end line	الخطّ الخلفي
37 restricted area	المنطقة المحظورة
38 free-throw line	خط الرمية الحرة

41-49 hunt, a drag hunt; sim. fox hunt, paper chase (paper hunt, hare-and-hounds)	الصَيْد ، الصَيْد باقتفاء الأثر
41 field	حَقْل
42 hunting pink	سُرّة الصَيْد
43 whipper-in (whip)	السَّوَاط (مُساعد الصيَّاد)
44 hunting horn	بوق الصَيْد
45 Master (Master of fox-hounds, MFH)	السَيِّد (مالك كلاب صَيْد الثعالب)
46 pack of hounds (pack)	فريق من كلاب الصَيْد
47 staghound	كلب الأيائل
48 drag	سَحَابَة تَرَكَ الأثر
49 scented trail (artificial scent)	أثر ذو رائحة
50 horse racing (racing)	سباق الخيول
51 field (racehorses)	مضمار (خيول السباق)
52 favourite (Am. favorite)	الفرس المُرْتَجِّح للفوز
53 outsider	فرس خارج المنافسة (غير مرشح للفوز)
290 Cycle Racing and Motorsports سباق الدراجات والسيارات	
1-23 cycle racing سباق الدراجات	
1 cycling track (cycle track); here: indoor track	مضمار سباق الدراجات
2-7 six-day race	سباق الأيام الستة
2 six-day racer, a track racer (track rider) on the track	مُتَسَابِق مُشَارِك في سباق الأيام الستة ينافس بالمضمار
3 crash hat	خوذة واقية
4 stewards	المشرفون
5 judge	القاضي
6 lap scorer	مُسَجِّل الدورات المفردة
7 rider's box (racer's box)	صندوق راكب الدراجة
8-10 road race	السباق على الطريق
8 road racer, a racing cyclist	مُتَسَابِق على الطريق
9 racing jersey	قميص السباق
10 water bottle	زجاجة ماء
11-15 motor-paced racing (long-distance racing)	سباق المسافات الطويلة بالدراجات النارية الصغيرة
11 pacer, a motorcyclist	مُتَسَابِق بالدراجات النارية الصغيرة
12 pacer's motorcycle	دراجة صغيرة سريعة
13 roller, a safety device	آلية أمان
14 stayer (motor-paced track rider)	مُتَسَابِق بالمضمار
15 motor-paced cycle, a racing cycle	دراجة صغيرة سريعة
16 racing cycle (racing bicycle) for road racing (road race bicycle)	دراجة سباق الطرُق
17 racing saddle, an unsprung saddle	مقعد دراجة السباق
18 racing handlebars	مقود دراجة السباق
19 tubular tyre (Am. tire) (racing tyre)	دولاب أنبوبي
20 chain	جنزير ، سلسلة
21 toe clip (racing toe clip)	كلاية تثبيت القدم بالبدال
22 strap	رباط/ شريط تثبيت
23 spare tubular tyre (Am. tire)	إطار أنبوبي احتياطي
24-38 motorsports الرياضات الموتورية	
24-28 motorcycle racing; disciplines: grasstrack racing, road racing, sand track racing, cement track racing, speedway [on ash or shale tracks], mountain racing, ice racing (ice speedway), scramble racing, trial, moto cross	
24 sand track	مضمار رملّي
25 racing motorcyclist (rider)	مُتَسَابِق الدراجات النارية
26 leather overalls (leathers)	أوفرول من الجلد
27 racing motorcycle, a solo machine	دراجة سباق نارية
28 number (number plate)	لوحة رقم الدراجة
29 sidcar combination on the bend	توافق العربة الجانبية عند المنطف
30 sidcar	عربة جانبية
31 streamlined racing motorcycle [500 cc.]	دراجة سباق نارية إنسيابية
32 gymkhana, a competition of skill; here: motorcyclist performing a jump	السطح [500 سي سي] حفلة رياضية ، مسابقة إظهار المهارات ، هنا راكب دراجة نارية يؤدي قفزة
33 cross-country race, a test in performance	سباق الصاحية ، اختبار الأداء
34-38 racing cars سيارات السباق	
34 Formula One racing car (a mono posto)	سيارة سباق فورميولا 1
35 rear spoiler (aerofoil, Am. airfoil)	مقصد خلفي
36 Formula Two racing car	سيارة سباق فورميولا 2
37 Super-Vee racing car	سيارة سباق سوبر في
38 prototype, a racing car	نموذج أولي لسيارة السباق
291 Ball Games I (Football, Association Football, Soccer) ألعاب الكرة (1)	
1-16 football pitch مستطيل ملعب كرة القدم	
1 field (park)	الملعب
2 centre (Am. center) circle	دائرة المركز
3 half-way line	خط منتصف الملعب
4 penalty area	منطقة الجزاء
5 goal area	منطقة المرمى
6 penalty spot	نقطة ركلة الجزاء
7 goal line (by-line)	خط المرمى
8 corner flag	راية الزاوية
9 touch line	خط التماس
10 goalkeeper	حارس المرمى
11 sweeper (libero)	مدافع/ظهير متأخر (قشاش)
12 inside defender	مدافع/ظهير أوسط
13 outside defender	مدافع/ظهير أول
14 midfield players	(أيمن/أيسر)
15 inside forward (striker)	لاعب المنتصف
16 outside forward (winger)	مهاجم (أيمن/أيسر)
17 football	كرة القدم
18 valve	بلف
19 goalkeeper's gloves	قفازا حارس المرمى
20 foam rubber padding	حشو من المطاط الرغوي
21 football boot	حذاء كرة القدم
22 leather lining	بطانة من الجلد
23 counter	كؤنثر الحذاء ، قلمعة جلد
24 foam rubber tongue	قاسية داخل موخر الحذاء المحيط بالعقب
25 bands	لسان الحذاء مصنوع من المطاط الرغوي
26 shaft	أشرطة جانب الحذاء الأمامي الخارجي
27 insole	باطن الحذاء
28 screw-in stud	مسمار ، وتد معدني مقلّوظ
29 groove	أخدود
30 nylon sole	نعل من النيلون
31 inner sole	نعل داخلي
32 lace (bootlace)	رباط الحذاء
33 football pad with ankle guard	حشوة خاصة ذات واقٍ للكاحلين
34 shin guard	شكارة ، وقاء الساق
35 goal	المرمى
36 crossbar	عارضه المرمى
37 post (goalpost)	قائم المرمى
38 goal kick	ركلة مرمى
39 save with the fists	صد الكرة بالقبضتين
40 penalty (penalty kick)	ركلة جزاء
41 corner (corner kick)	ركلة زاوية
42 offside	تسلّل
43 free kick	ركلة حرة
44 wall	حائط
45 bicycle kick (overhead bicycle kick)	ركلة مزدوجة خلفية
46 header	لاعب يضرب الكرة برأسه
47 pass (passing the ball)	تمريرة
48 receiving the ball (taking a pass)	استقبال الكرة
49 short pass (one-two)	تمريرة قصيرة (واحد-اثنين)
50 foul (infringement)	خطأ ، مخالفة
51 obstruction	إعاقة
52 dribble	مراوغة
53 throw-in	رمية تماس

91 wood, a driver; <i>sim.</i> : brassie (brassy, brassy)	العصا الخشبية
92 iron	العصا المعدنية
93 putter	عصا الإبدال

294 Fencing
1-33 **fencing** (modern fencing)

1-18 foil	شيش المبارزة مُضْرِب الشيش
1 fencing master (fencing instructor)	الحطية
2 piste	خط الاستعداد
3 on guard line	خط المنتصف
4 centre (<i>Am. center</i>) line	مُتَبَارِزان في أحد الأنواط
5-6 fencers (foil fencers, foilsman, foilists) in a bout	مهاجم في وضع طعن الخصم
5 attacker (attacking fencer) in lunging position (lunging)	مدافع في وضع دفاع
6 defender (defending fencer), parrying	طعنة مستقيمة، إحدى حركات الشيش
7 straight thrust, a fencing movement	دفاع ثلاثي
8 parry of the tierce	خط المبارزة
9 line of fencing	خطوات المبارزة الثلاث (قصيرة، متوسطة، طويلة)
10 the three fencing measures (short, medium, and long measure)	شيش المبارزة
11 foil, a thrust weapon	قفاز المبارزة
12 fencing glove	قباع المبارزة
13 fencing mask (foil mask)	وقاء الرقبة المثبت بالقناع
14 neck flap (neck guard) on the fencing mask	واقى الصدر (سُرّة المبارزة)
15 metallic jacket	قميص لعبة الشيش
16 fencing jacket	حذاء خفيف بدون كعب
17 heelless fencing shoes	الوضع الأولي لتحية المبارزة (وضع الاستعداد)
18 first position for fencer's salute (initial position, on guard position)	المبارزة بالسيف
19-24 sabre (<i>Am. saber</i>) fencing	مبارز بالسيف
19 sabreurs (sabre fencers, <i>Am. saber fencers</i>)	سيف (خفيف)
20 (light) sabre (<i>Am. saber</i>)	قفاز سيف المبارزة
21 sabre (<i>Am. saber</i>) glove (sabre gauntlet)	قناع المبارزة
22 sabre (<i>Am. saber</i>) mask	فتحة في أعلى الرأس
23 cut at head	دفاع الخماسي
24 parry of the fifth (quinte)	سلاح سيف المبارزة
25-33 épée , with electrical scoring equipment	مُزود بجهاز تسجيل كهربائي
25 épéist	لاعب سيف المبارزة

39 substitute	لاعب بديل
40-69 baseball	البيسبول (كرة القاعدة)
40-58 field (park)	الملعب
40 spectator barrier	حاجز المقرجين
41 outfielder	لاعب في أقصى الملعب، جناح

42 short stop	منطقة توقف وجين
43 second base	القاعدة الثانية
44 baseman	لاعب القاعدة
45 runner	عداء
46 first base	القاعدة الأولى
47 third base	القاعدة الثالثة
48 foul line (base line)	خط المخالفة (خط القاعدة)
49 pitcher's mound	رابية اللاعبين القاذف
50 pitcher	اللاعب القاذف
51 batter's position	موقع اللاعب الضارب
52 batter	اللاعب الضارب
53 home base (home plate)	موقع الضرب
54 catcher	اللاعب اللاقط
55 umpire	الحكم
56 coach's box	مقصورة/كشك المُضْرِب
57 coach	مُضْرِب
58 batting order	ترتيب لاعبي المُضْرِب
59-60 baseball gloves (baseball mitts)	قفازات البيسبول
59 fielder's glove (fielder's mitt)	قفاز لاعب الحقل
60 catcher's glove (catcher's mitt)	قفاز اللاعب اللاقط
61 baseball	كرة البيسبول
62 bat	عصا المُضْرِب
63 batter at bat	الضارب في وضع استعداد لضرب الكرة
64 catcher	اللاقط
65 umpire	الحكم
66 runner	العداء
67 base plate	لوح القاعدة
68 pitcher	القاذف
69 pitcher's mound	رابية القاذف
70-76 cricket	الكريكت
70 wicket with bails	الكريكت بقوامه الخشبية
71 bowling crease	خط الرمي الخلفي
72 popping crease	خط ضرب الكرة بالمضرب
73 wicket keeper of the fielding side	حارس الويكت
74 batsman	الضارب
75 bat (cricket bat)	مضرب (مضرب الكريكت)
76 fielder (bowler)	لاعب أو رامي الكرة
77-82 croquet	الكروكيه
77 winning peg	وَدّ الفوز
78 hoop	قطرة
79 corner peg	وَدّ الركن
80 croquet player	لاعب الكروكيه
81 croquet mallet	عصا (مضرب) الكروكيه
82 croquet ball	كرة الكروكيه

293 Ball Games III
1-42 **tennis**

1 tennis court	ملعب التنس
2 to 3 doubles sideline (sideline for doubles matches); <i>kinds of doubles</i> : men's doubles, women's doubles, mixed doubles	خط جانبي لمباريات الزوجي، أنواع الزوجي زوجي الرجال، زوجي السيدات، زوجي مختلط
3 to 10 base line	خط القاعدة
4 to 5 singles sideline (sideline for singles matches); <i>kinds of singles</i> : men's singles, women's singles	الخط الجانبي للفردى، أنواع الفردى فردي الرجال، فردي السيدات
6 to 7 service line	خط الإرسال
8 to 9 centre (<i>Am. center</i>) line	خط الإرسال الأوسط
11 centre (<i>Am. center</i>) mark	علامة منتصف خط القاعدة
12 service court	حرم الإرسال
13 net (tennis net)	شبكة (شبكة التنس)
14 net strap	شريط الشبكة
15 net post	قائم الشبكة
16 tennis player	لاعب التنس
17 smash	ضربة إرسال هجومية
18 opponent	المنافس
19 umpire	الحكم
20 umpire's chair	مقعّد الحكم
21 umpire's microphone	ميكروفون الحكم
22 ball boy	صبي جمع الكرات
23 net-cord judge	حكم الشبكة
24 foot-fault judge	حكم مخالفة وضع القدم
25 centre (<i>Am. center</i>) line judge	حكم خط الإرسال الأوسط
26 base line judge	حكم خط القاعدة
27 service line judge	حكم خط الإرسال
28 tennis ball	كرة التنس
29 tennis racket (tennis racquet, racket, racquet)	مضرب التنس
30 racket handle (racquet handle)	مقبض المضرب
31 strings (striking surface)	أوتار المضرب (سطح ضرب الكرة)
32 press (racket press, racquet press)	ضاغيط
33 tightening screw	برغي الإحكام
34 scoreboard	لوح النتائج
35 results of sets	نتائج المجموعات
36 player's name	اسم اللاعب
37 number of sets	عدد المجموعات
38 state of play	حالة سير المجموعة
39 backhand stroke	ضربة خلفية
40 forehand stroke	ضربة أمامية
41 volley (forehand volley at normal height)	ضرب الكرة قبل أن تمس الأرض مباشرة
42 service	ضربة الإرسال
43-44 badminton	البادمنتون (الريشة)
43 badminton racket (badminton racquet)	الطائرة
	مضرب البادمنتون

44 shuttle (shuttlecock)	ريشة البادمنتون
45-55 table tennis	كرة الطاولة
45 table tennis racket (racquet) (table tennis bat)	مضرب كرة الطاولة
46 racket (racquet) handle (bat handle)	مقبض المضرب
47 blade covering	طبقة مطاوية لتغطية المضرب
48 table tennis ball	كرة الطاولة
49 table tennis players; <i>here</i> : mixed doubles	لاعبو كرة الطاولة، هنا زوجي مختلط
50 receiver	مستقبل الكرة
51 server	ضارب الإرسال
52 table tennis table	طاولة كرة الطاولة
53 table tennis net	شبكة كرة الطاولة
54 centre (<i>Am. center</i>) line	خط المنتصف
55 sideline	الخط الجانبي
56-71 volleyball	الكرة الطائرة
56-57 correct placing of the hands	الوضع الصحيح لليدين
58 volleyball	على الكرة
59 serving the volleyball	الكرة الطائرة
60 blocker	رمية الإرسال
61 service area	لاعب حائط الصد
62 server	منطقة الإرسال
63 front-line player	لاعب الخط الأمامي
64 attack area	منطقة الهجوم
65 attack line	خط الهجوم
66 defence (<i>Am. defense</i>) area	منطقة الدفاع
67 referec	الحكم
68 umpire	القاضي (المساعد)
69 linesman	مرآب الخط
70 scoreboard	لوح النتائج
71 scorer	الهداف
72-78 faustball	لعبة كرة الفاوست
72 base line	خط القاعدة
73 tape	شريط
74 faustball	كرة الفاوست
75 forward	مهاجم
76 centre (<i>Am. center</i>)	لاعب المنتصف
77 back	فهير
78 hammer blow	ضربة مطرقية
79-93 golf	الغولف
79-82 course (holes)	ملعب الغولف
79 teeing ground	مكان البدء
80 rough	مُخْلَقَة وعرة
81 bunker (<i>Am. sand trap</i>)	مطب رملي
82 green (putting green)	المُطَلَقَة الخضراء
83 golfer, driving	لاعب الغولف يضرب الكرة
84 follow-through	متابعة الحركة
85 golf trolley	ترولي (عربة) الغولف
86 putting (holing out)	ضرب الكرة إلى داخل الحفرة
87 hole	حفرة أو ثقب
88 pin (flagstick)	عمود العلم
89 golf ball	كرة الغولف
90 tee	موضع البدء

35 hang with elbows bent	التعلق مع ثني المرفقين
36 piked reverse hang	وَضْعُ الحُرْبَةِ العكسي
37 straight inverted hang	التعلق المقلوب مع استقامة الجسم
38 straight hang	التعلق المستقيم
39 bent hang	التعلق مع ثني الذراعين
40-46 grasps (kinds of grasp)	أنواع المصنكات
40 overgrasp on the horizontal bar	مَسْكَةُ العَقْلَةِ واليدين للامام
41 undergrasp on the horizontal bar	مَسْكَةُ العَقْلَةِ واليدين للخلف
42 combined grasp on the horizontal bar	مَسْكَةُ مَرْتَبَةٍ على العَقْلَةِ
43 cross grasp on the horizontal bar	مَسْكَةُ متقاطعة على العَقْلَةِ
44 rotated grasp on the horizontal bar	مَسْكَةُ اليدين المستديرة على العَقْلَةِ
45 outside grip on the parallel bars	مَسْكَةُ المتوازي من الخارج
46 rotated grasp on the parallel bars	مَسْكَةُ المتوازي من الداخل
47 leather handstrap	شريط من الجلد لليد
48-60 apparatus exercises	تمارين الأجهزة
48 long-fly on the horse	الطيران الطويل فوق حصان الوثب
49 rise to straddle on the parallel bars	الارتفاع لفتح الساقين على المتوازي
50 crucifix on the rings	وَضْعُ الصليب على جهاز الحلق
51 scissors (scissors movement) on the pommel horse	وَضْعُ المقص على حصان الحلق
52 legs raising into a handstand on the floor	رَفْعُ الساقين للوقوف على اليدين على الأرض
53 squat vault on the horse	التقلية في وَضْعُ القرفصاء على الحصان
54 double leg circle on the pommel horse	دائرة مزدوجة بالساقين على حصان الحلق
55 hip circle backwards on the rings	دائرة خلفية بالخصر على جهاز الحلق
56 lever hang on the rings	تعلق الرافعة على جهاز الحلق
57 rearward swing on the parallel bars	المَرْحَجَةُ الخلفية على المتوازي
58 forward kip into upper arm hang on the parallel bars	حركة كيب أمامية للتعلق بالذراعين على المتوازي
59 backward underswing on the horizontal bar	مَرْحَجَةُ سفلية للخلف على العَقْلَةِ
60 backward grand circle on the horizontal bar	دائرة واسعة خلفية على العَقْلَةِ
61-63 gymnastics kit	طاقم ملابس الجُمبَان
61 singlet (vest, Am. undershirt)	فاصلة
62 gym trousers	بنطلون/سروال جُمبَان
63 gym shoes	لاصق حذاء جُمبَان

26 electric épée; also: electric foil	سلاح سيف المِبارَزة الكهربائي، أيضاً شيش كهربائي
27 épée point	نقطة الإصابة بالسيف
28 scoring lights	مصابيح تسجيل الإصابة
29 spring-loaded wire spool	بكرة سلك مُتَمَتِّة على نابض
30 indicator light	مصباح إشاري
31 wire	سلك كهربائي
32 electronic scoring equipment	جهاز التسجيل الإلكتروني
33 on guard position	وَضْعُ الاستعداد
34-45 fencing weapons	أسلحة المِبارَزة/الشيش
34 light sabre (Am. saber), a cut and thrust weapon	سيف خفيف
35 guard	واقى اليد
36 épée, a thrust weapon	سيف المِبارَزة، سلاح طاعن
37 French foil, a thrust weapon	الشيش الفرنسي، سلاح طاعن
38 guard (coquille)	واقى اليد
39 Italian foi	الشيش الإيطالي
40 foil pommel	رمانة السيف
41 handle	مقبض
42 cross piece (quillons)	قطعة مستعرضة
43 guard (coquille)	واقى اليد
44 blade	نصل السلاح
45 button	زر اللبس
46 engagements	اشتباكات بالسيف
47 quarte (carte) engagement	اشتباك "كوارت"
48 tierce engagement (also: sixte engagement)	اشتباك ثلاثي (أيضا سداسي)
49 circling engagement	اشتباك دائري
50 seconde engagement (also: octave engagement)	اشتباك "اوكتاف"
51-53 target areas	المناطق المستهدفة
51 the whole body in épée fencing (men)	الجسم بالكامل في سيف المِبارَزة (رجال)
52 head and upper body down to the groin in sabre (Am. saber) fencing (men)	الرأس والجذع حتى الأربية في المِبارَزة بالسيف (رجال)
53 trunk from the neck to the groin in foil fencing (ladies and men)	الجذع من العنق حتى الأربية في سلاح الشيش (سيدات ورجال)
295 Free Exercise	التمرينات الحرة
1 basic position (starting position)	الوَضْعُ الأساسي (وَضْعُ البداية)
2 running posture	وَضْعُ الجري
3 side straddle	فَتْحُ الساقين جانبياً
4 straddle (forward straddle)	فَتْحُ الساقين (للأمام)
5 toe stand	وقوف على أصابع القدمين
6 crouch	وَضْعُ "كروش" (التكوير)
7 upright kneeling	جلوس على الركبتين
position	والجسم منتصب
8 kneeling position, seat on heels	جلوس على الركبتين، الجلوس على الكعبين
9 squat	قرفصاء
10 L seat (long sitting)	وَضْعُ الجلوس والساقين مفردتين للأمام (وَضْعُ على شكل حرف L)
11 tailor seat (sitting tailor-style)	وَضْعُ مَقْعَدُ الخياط
12 hurdle (hurdle position)	وَضْعُ "هردل"
13 V-seat	جلوس حرف V
14 side split	وَضْعُ فرجاري جانبي أيمن
15 forward split	وَضْعُ فرجاري أمامي
16 L-support	الارتكاز على شكل حرف L
17 V-support	الارتكاز على شكل حرف V
18 straddle seat	وَضْعُ "سترادل"
19 bridge	حركة الجسر
20 kneeling front support	وَضْعُ الارتكاز الأمامي مع الجلوس على الركبتين
21 front support	وَضْعُ الارتكاز الأمامي
22 back support	وَضْعُ الارتكاز الخلفي
23 crouch with front support	وَضْعُ "كروش" مع support
24 arched front support	الارتكاز الأمامي المقوس
25 side support	الارتكاز الجانبي
26 forearm stand (forearm balance)	الوقوف على الذراعين
27 handstand	وقوف على اليدين
28 headstand	وقوف على الرأس
29 shoulder stand (shoulder balance)	وقوف على الكتفين
30 forward horizontal stand (arabesque)	حركة الأرابيسك
31 rearward horizontal stand	وقوف أفقي خلفي
32 trunk-bending side-ways	ثني الجذع للجانب
33 trunk-bending forwards	ثني الجذع للأمام
34 arch	قوس
35 astride jump (butterfly)	قفزة الفراشة
36 tuck jump	قفزة مَكْوَرَة
37 astride jump	القفز عالياً مع فَتْحُ الساقين
38 pike	القفز عالياً مع فرد الساقين والذراعين للأمام
39 scissor jump	قفزة المقص
40 stag jump (stag leap)	قفزة الظبي
41 running step	خطوة الجري للاقترب
42 lunge	وَضْعُ الوثب
43 forward pace	خطوة أمامية
44 lying on back	الرقود على الظهر
45 prone position	وَضْعُ الانبطاح
46 lying on side	الرقود على الجانب
47 holding arms downwards	فرد الذراعين لأسفل
48 holding (extending) arms sideways	فرد الذراعين جانبياً
49 holding arms raised upward	فرد الذراعين لأعلى
50 holding (extending)	فرد الذراعين للأمام
arms forward	
51 arms held (extended) backward	فرد الذراعين للخلف
52 hands clasped behind the head	مسك اليدين خلف الرأس
296 Apparatus Gymnastics I	جُمبَان الأجهزة (1)
1-11 gymnastics apparatus in men's Olympic gymnastics	أجهزة الجُمبَان في مسابقات الجُمبَان الأوليمبية للرجال
1 long horse (horse, vaulting horse)	حصان الوثب
2 parallel bars	المتوازيان
3 bar	عارضة خشبية
4 rings (stationary rings)	جهاز الحلق
5 pommel horse (side horse)	حصان الحلق
6 pommel	خلفه
7 horizontal bar (high bar)	العَقْلَة
8 bar	عارضة العَقْلَة
9 upright	قائم العَقْلَة
10 stay wires	الشدادات
11 floor (12m x 12m floor area)	منطقة الحركات الأرضية (12م×12م)
12-21 auxiliary apparatus and apparatus for school and club gymnastics	الأجهزة التكميلية وأجهزة الجُمبَان الخاصة بالمدارس والأندية
12 springboard (Reuther board)	سلم الوثب
13 landing mat	فرشة الهبوط
14 bench	دكة، بنش
15 box	صندوق
16 small box	صندوق صغير
17 buck	حصان صغير (البك)
18 mattress	مرتبة، حشية
19 climbing rope (rope)	حبل التسلق
20 wall bars	جهاز عوارض جدارية
21 window ladder	سلم تسلق
22-39 positions in relation to the apparatus	الأوضاع بالنسبة للأجهزة
22 side, facing	جانب المواجهة الأمامية
23 side, facing away	جانب المواجهة في الاتجاه المعاكس
24 end, facing	طرف المواجهة الأمامية
25 end, facing away	طرف المواجهة في الاتجاه المعاكس
26 outside, facing	المواجهة الخارجية
27 inside, facing	المواجهة الداخلية
28 front support	ارتكاز أمامي
29 back support	ارتكاز خلفي
30 straddle position	وَضْعُ فَتْحُ الساقين
31 seated position outside	وَضْعُ الجلوس للخارج
32 riding seat outside	وَضْعُ الركوب للخارج
33 hang	التعلق
34 reverse hang	التعلق العكسي

القبضة بالإبهام والوسطى
قبضة حدود الفرس
بطانة

299 Weightlifting and Combat Sports

رياضات رفع الأثقال والقتال

1-5 weightlifting
1 squat-style snatch
2 weightlifter
3 disc (disk) barbell
4 jerk with split
5 maintained lift
6-12 wrestling
6-9 Greco-Roman wrestling

رفع الأثقال
رفعة الخلف
رياضة، رافع أثقال
طارة النقل
النثر مع مياعدة السائقين
حفظ توازن الرفعة
المصارعة
المصارعة اليونانية-الرومانية

6 standing wrestling (wrestling in standing position)
7 wrestler
8 on-the-ground wrestling (*here: the referee's position*)
9 bridge

المصارعة في وضِع الوقوف
مصارع
المصارعة على الأرض (هنا الوضع الإغريقي)
قفزة

10-12 freestyle wrestling
10 bar arm (arm bar) with grapevine
11 double leg lock
12 wrestling mat (mat)
13-17 judo (*sim.: ju-jitsu, jiu-jitsu, ju-jutsu*)
13 drawing the opponent off balance to the right and forward

المصارعة الحرة
تكتيف الذراع مع حركة الكرمة
فقل مزدوج لحركة الساق
بساط المصارعة الجودو
جذب الخصم لإفقاذه التوازن

14 judoka (judoist)
15 coloured (*Am. colored*) belt, as a symbol of Dan grade

لاعب الجودو
حزام ملون يشير إلى رتبة الدرجة

16 referee
17 judo throw
18-19 karate
18 karateka
19 side thrust kick, a kicking technique

الحكم
رمية الجودو
الكاراتيه
لاعب الكاراتيه
ركلة طاعة جانبية

20-50 boxing (boxing match)

الملاكمة

20-24 training apparatus (training equipment)
20 spring-supported punch ball

معدات التدريب
كرة النكم المثبتة على نابض

21 punch bag (*Am. punching bag*)
22 speed ball
23 suspended punch ball
24 punch ball
25 boxer, an amateur boxer (boxes in a singlet, vest, *Am.*

كيس اللكم
كرة السرعة
كرة لكم معلقة
كرة لكم
ملاكم، ملاكم هاو (ملاكم يرتدي قميصاً بلا أكمام وسروالاً قصيراً)، أو ملاكم

الوثب العالي
"فوسبري"، سقطة فوسبري
لاعب الوثب العالي
دوران الحسم

9-27 high jump
9 Fosbury flop (Fosbury flop)
10 high jumper
11 body rotation (rotation on the body's longitudinal and latitudinal axes)
12 shoulder landing
13 upright
14 bar (crossbar)
15 Eastern roll
16 Western roll
17 roll
18 rotation
19 landing
20 height scale
21 Eastern cut-off

قفزة البدء على العارضتين
دائرة خلفية حرة على العارضتين
وثبة أمامية على حصان الوثب
وثبة جانبية على حصان الوثب
وثبة خلفية على حصان الوثب
الجمباز والأجهزة اليدوية
قفذ الكرة من يد إلى الأخرى
كرة جمباز
قفذ الكرة عالياً
تطيط الكرة على الأرض
عمل دائرة باليدين وبهما هراوتين
هراوة الجمباز
مرجحة
قفزة مكوّرة
عصا خشبية
نط الحبل
حبل
نط الحبل مع تقاطع اليدين
القفز خلال الطوق
طوق الجمباز
دايرة باليد
شكل ثعباني
شريط جمباز
حركة لولبية
طاقم ملابس الجمباز
لباس الجمباز
حذاء جمباز

28 upstart on the asymmetric bars
29 free backward circle on the asymmetric bars
30 face vault over the horse
31 flank vault over the horse
32 back vault (rear vault) over the horse
33-50 gymnastics with hand apparatus
33 hand-to-hand throw
34 gymnastic ball
35 high toss
36 bounce
37 hand circling with two clubs
38 gymnastic club
39 swing
40 tuck jump
41 bar
42 skip
43 rope (skipping rope)
44 criss-cross skip
45 skip through the hoop
46 gymnastic hoop
47 hand circle
48 serpent
49 gymnastic ribbon
50 spiral
51-52 gymnastics kit
51 leotard
52 gym shoes

64 wristband
رباط للرسغ
297 Apparatus Gymnastics II (Women's Gymnastics)
1-6 gymnastics apparatus in women's Olympic gymnastics
1 horse (vaulting horse)
2 beam
3 asymmetric bars (uneven bars)
4 bar
5 stay wires
6 floor (12m x 12m floor area)
7-14 auxiliary apparatus and apparatus for school and club gymnastics
7 landing mat
8 springboard (Reuther board)
9 small box
10 trampoline
11 sheet (web)
12 frame
13 rubber springs
14 springboard trampoline
15-32 apparatus exercises
15 backward somersault
16 spotting position (standing-in position)
17 vertical backward somersault on the trampoline
18 forward somersault on the springboard trampoline
19 forward roll on the floor
20 long-fly to forward roll on the floor
21 cartwheel on the beam
22 handspring on the horse
23 backward walkover
24 back flip (flik-flak) on the floor
25 free walkover forward on the floor
26 forward walkover on the floor
27 headspring on the floor

أجهزة الجمباز في مسابقات الجمباز الأوليمبية للسيدات
حصان الوثب
عارضة التوازن
العارضات
عارضة خشبية
الشدائد
متعلقة الحركات الأرضية (12م×12م)
الأجهزة التكميلية وأجهزة الجمباز الخاصة بالمدارس والأندية
فرشة الهبوط
سلم الوثب
صندوق صغير
الترامبولين
قماش مشدود
إطار، مثبت معدني
نوابض، زنبركات
مقفز ترامبولين
تمارين الأجهزة
حركة سمسولك خلفية (الشقلبة الخلفية)
وضِع النقاط القافز
حركة سمسولك رأسية
خلفية على الترامبولين
حركة سمسولك أمامية على مقفز ترامبولين
دَحْرَجَة أمامية على الأرض
حركة طيران طويل لدَحْرَجَة أمامية على الأرض
حركة عجلة على عارضة التوازن
القفز على اليدين على حصان الوثب
دوران خلفي
قفزة خلفية على الأرض
دوران حر للأمام على الأرض
دوران أمامي على الأرض
دوران على الرأس للأمام

ألعاب القوى
(مسابقات المصنّار والحقل)
الجري
بداية الجري
مكعب بدء السباق
دواسة قابلة للتعديل

298 Athletics (Track and Field Events)
1-8 running
1-6 start
1 starting block
2 adjustable block (pedal)
3 start
4 crouch start
5 runner, a sprinter; *also:* middle-distance runner, long-distance runner
6 running track (track), a cinder track or synthetic track
7-8 hurdles (hurdle racing); *sim.:* steeple-chase
7 clearing the hurdle
8 hurdle
9-41 jumping and vaulting

ألعاب القوى (مسابقات المصنّار والحقل)
الجري
بداية السباق
بداية "كروش"
عداء، أيضاً: عداء مسافات متوسطة وعداء مسافات طويلة
مضمار الجري
سباق الحواجز
تخطي الحاجز
حاجز
الوثب والقفز

24 wax scraper	مكشّطة شمع
25 downhill racing pole	عصا التزلج المنحدر
26 herringbone, for climbing a slope	طريقة المقص لصعود المنحدر
27 sidestep, for climbing a slope	طريقة السلم لصعود المنحدر
28 ski bag	حقبة التزلج
29 slalom	التزلج المتعرج
30 gate pole	عمود البوابة
31 racing suit	بدلة السباق
32 downhill racing	سباق الانحدار
33 'egg' position, the ideal downhill racing position	وضع "البيضة"، الوضع المثالي لسباق الانحدار
34 downhill ski	مزلّاج الانحدار
35 ski jumping	القفز بالمزلّاج
36 lean forward	الانحناء للأمام
37 number	رقم
38 ski jumping ski	مزلّاج القفز
39 grooves (3 to 5 grooves)	حزوز (3-5 حزوز)
40 cable binding	رباط كيبلي
41 ski jumping boots	حذاء القفز بالمزلّاج
42 cross-country	سباق الضاحية
43 cross-country stretch-suit	ساليويت سباق الضاحية
44 course	مضمار
45 course-marking flag	راية تحديد المضمار
46 layers of a modern ski	طبقات مزلّاج حديث
47 special core	لب من مادة خاصة
48 laminates	صفائح رقيقة
49 stabilizing layer (stabilizer)	طبقة موازنة
50 steel edge	حافة من الصلب
51 aluminium (<i>Am.</i> aluminum) upper edge	شفرة علوية من الألومنيوم
52 synthetic bottom (artificial bottom)	قاعدة من مادة صناعية
53 safety jet	إطار أمان
54-56 parts of the binding	أجزاء الرباط
54 automatic heel unit	وحدة الكعب الأوتوماتية
55 toe unit	وحدة أصابع القدم
56 ski stop	مكبح المزلّاج
57-63 ski lift	مصعد التزلج
57 double chair lift	مصعد ذو مقعد مزدوج
58 safety bar with footrest	قضيب أمان مزود بمسند للقدمين
59 ski lift	مصعد التزلج
60 track	مسار، سكة
61 hook	خطاف
62 automatic cable pulley	بكرة كيبلي أوتوماتية
63 haulage cable	كبل السحب
64 slalom	التزلج المتعرج
65 slalom gate	باب مفتوح
66 closed vertical gate	باب عمودي مطلق
67 open vertical gate	باب عمودي مفتوح
68 transversal chicane	عقبة مفتوحة
69 hairpin	منشّط حاد
70 elbow	منعطف مرفقي

undershirt) or a professional boxer (boxes without singlet)	محترف	26 boxing glove	قفاز الملاكم
27 sparring partner	ملاكم يتناوش	28 straight punch (straight blow)	لكمة مستقيمة
29 ducking and side-stepping	العبل بالذرع والتحرك جانباً	30 headguard	واقى الرأس
31 infighting; <i>here:</i> clinch	التحام	32 uppercut	ضربة صاعدة
33 hook to the head; <i>here:</i> right hook	ضربة خنفاوية إلى الرأس؛ هنا - خنفاوية يمتى	34 punch below the belt, a foul punch (illegal punch, foul)	لكمة أسفل الحزام، لكمة خاطئة
35-50 boxing match (boxing contest), a title fight (title bout)	مباراة ملاكمة، مبارزة على اللقب	35 boxing ring (ring)	حلقة الملاكمة
36 ropes	أحبال	37 stay wire (stay rope)	سلك شداد
38 neutral corner	الرّكن المحايد	39 winner	الفائز
40 loser by a knockout	خاسر بالضربة القاضية	41 referee	حكّم الحلقة
42 counting out	العُد حتى عشر ثوان	43 judge	قاضي
44 second	مساعد الملاكم	45 manager	مدير أعمال الملاكم
46 gong	جرس (عبارة عن قرص معدني)	47 timekeeper	الميعقاتي
48 record keeper	المسجّل	49 press photographer	مصور صحفي
50 sports reporter (reporter)	مقعد "دوفو" صحفي لأخبار الرياضة	300 Mountaineering	تسلّق الجبال
1-57 mountaineering (mountain climbing, Alpinism)	تسلّق الجبال (تسلّق جبال الألب)	1 hut (Alpine Club hut, mountain hut, base)	كوخ جبلي (كوخ النادي الألبيني)
2-13 climbing [rock climbing] [rock climbing technique]	التسلّق	2 rock face (rock wall)	جدار صخري
3 fissure (vertical, horizontal, or diagonal fissure)	شقّ (رأسي، أفقي، مائل)	4 ledge (rock ledge, grass ledge, scree ledge, snow ledge, ice ledge)	حدي، إفريز
5 mountaineer	متسلّق	6 anorak (high-altitude	قلنسوة البركة
7 anorak, snowshirt, padded jacket)	سرّوال قصير	8 chimney	منشأة
9 belay (spike, rock spike)	صخرة نائثة لتثبيت الحبل	10 belay	صخرة وتد
11 rope sling (sling)	علاقة الحبل	12 rope	حبل
13 spur	مهبّاز	14-21 snow and ice climbing [snow and ice climbing technique]	تسلّق الثلوج والجليد
14 ice slope (firm slope)	منحدر ثلجي	15 snow and ice climber	متسلّق الثلوج والجليد
16 ice axe (<i>Am.</i> ax)	فأس الجليد	17 step (ice step)	خطوة
18 snow goggles	نظارات واقية من وهج الشمس	19 hood (anorak hood)	قلنسوة
20 cornice (snow cornice)	إفريز (مطّف جليدي)	21 ridge (ice ridge)	حافة مرتفعة (حافة جليدية)
22-27 rope (roped party)	حبل (مجموعة مرتبطة معا بحبل)	22 glacier	مئذنة
23 crevasse	شقّ	24 snow bridge	جسر جليدي
25 leader	قائد	26 second man (belayer)	الرّجل الثاني (فردّ ريب الحبل)
27 third man (non-belayer)	الرّجل الثالث	28-30 roping down (abseiling, rapelling)	الهبوط بالحبل
28 abseil sling	علاقة الهبوط بالحبل	29 sling seat	مقعد العلاقة
30 Dülfer seat	مقعد "دوفو"	31-57 mountaineering equipment (climbing equipment, snow and ice climbing equipment)	معدات تسلّق الجبال والجليد
31 ice axe (<i>Am.</i> ax)	فأس تسلّق الجليد	32 wrist sling	حاملة الرسغ
33 pick	مغول	34 adze (<i>Am.</i> adz)	قدم
35 karabiner hole	عروة	36 short-shafted ice axe (<i>Am.</i> ax)	فأس جليد قصيرة الذراع
37 hammer axe (<i>Am.</i> ax)	فأس مطرّقية	38 general-purpose piton	رزة عامة الأغراض
39 abseil piton (ringed piton)	رزة حلقيّة	40 ice piton (semi-tubular screw ice piton, corkscrew piton)	رزة جليد ملوّلة
41 drive-in ice piton	رزة جليد دفعيّة	42 mountaineering boot	حذاء تسلّق الجبال
43 corrugated sole	نعل موج	44 climbing boot	حذاء التسلّق

71 corridor	دهليز
72 Allais chicane	عقبة "أليسز"، مَرُوج
302 Winter Sports II	الرياضات الشتوية (2)
1-26 ice skating	التزلُّق على الجليد
1 ice skater, a solo skater	مُتزلِّق على الجليد
2 tracing leg	رجل تابعة
3 free leg	رجل حرة
4 pair skaters	زوج من المتزلِّقين
5 death spiral	حركة حلزون الموت
6 pivot	حركة المحور
7 stag jump (stag leap)	وثبة المهر
8 jump-sit-spin	دوران القفر والجلوس
9 upright spin	الدوران المنتصب
10 holding the foot	مسك القدم
11-19 compulsory figures	حركات إجبارية
11 curve eight	منحنى على شكل 8
12 change	تغيير الاتجاه
13 three	شكل 3
14 double-three	شكل 3 مزدوجة
15 loop	أنشطة
16 change loop	الأنشطة المتغيرة مع تغيير الاتجاه
17 bracket	قوس
18 counter	الدائرة العكسية
19 rocker	المهززة
20-25 ice skates	زلاجات الجليد
20 speed skating set (speed skate)	زلاجة سريعة
21 edge	حافة
22 hollow grinding (hollow ridge, concave ridge)	شفرة الجداء
23 ice hockey set (ice hockey skate)	زلاجة هوكي الجليد
24 ice skating boot	جذاء التزلُّق على الجليد
25 skate guard	وقاء الزلاجة
26 speed skater	متزلِّق سباق السرعة
27-28 skate sailing	التزلُّق الشراعي
27 skate sailor	متزلِّق شراعي
28 hand sail	شراع يدوي
29-37 ice hockey	هوكي الجليد
29 ice hockey player	لاعب هوكي الجليد
30 ice hockey stick	عصا هوكي الجليد
31 stick handle	مقبض العصا
32 stick blade	راحة العصا
33 shin pad	وقاء الساق
34 headgear (protective helmet)	خوذة لحماية الرأس
35 puck, a vulcanized rubber disc (disk)	البكّ قرص مطاطي مُشخّط
36 goalkeeper	في هوكي الجليد
37 goal	حارس المرمى
38-40 ice-stick shooting (Bavarian curling)	المرمى
38 ice-stick shooter (Bavarian curler)	رماية الكرة (الكيرلنغ اليافاري)
39 ice stick	لاعب الكيرلنغ
	عصا الكرة (عصا الجليد)

40 block	كتلة
41-43 curling	الكيرلنغ
41 curler	لاعب الكيرلنغ
42 curling stone (granite)	كرة الكيرلنغ (من الجرانيت)
43 curling brush (curling broom, besom)	عصا (فرشاة) الكيرلنغ
44-46 ice yachting (ice-boating, ice sailing)	الانزلاق بمراكب الجمد
44 ice yacht (iceboat)	مركب الجمد
45 steering runner	مزالق طولي للنوجيه
46 outrigger runner	مزالق طولي للإستناد
303 Winter Sports III	الرياضات الشتوية (3)
1 toboggan (sledge, Am. sled)	توبوغان (مزالقة)
2 toboggan (sledge, Am. sled) with seat of plaid straps	توبوغان ذو مقعد من أشرطة النسيج المجدولة
3 junior luge toboggan (junior luge, junior toboggan)	توبوغان صغير بجبل توجيه
4 rein	العنان (حبل التوجيه)
5 bar (strut)	قضيب، سناد
6 seat	مقعد
7 bracket	كتيفة
8 front prop	دعامة أمامية
9 rear prop	دعامة خلفية
10 movable runner	مزالق قابل للفصل
11 metal face	واجهة معدنية
12 luge tobogganer	راكب توبوغان بجبل توجيه
13 luge toboggan (luge, toboggan)	توبوغان بجبل توجيه
14 crash helmet	خوذة واقية
15 goggles	نظارات واقية
16 elbow pad	وقاء المرفق
17 knee pad	وقاء الركبة
18 Nansen sledge, a polar sledge	مزالقة قطبية
19-21 bobsleigh (bobsledding)	الانزلاق بمزالقة مزدوجة
19 bobsleigh (bobsled), a two-man bobsleigh (a boblet)	مزالقة مزدوجة لشخصين
20 steersman	قود توجيه المزالقة
21 brakeman	قود مكنع المزالقة
22-24 skeleton (Cresta tobogganing)	ركوب التوبوغان الهيكلي
22 skeleton (skeleton toboggan)	هيكل التوبوغان
23 skeleton rider	راكب هيكل التوبوغان
24 rake, for braking and steering	حافة مسننة للكبح والتوجيه

304 Countryside in Winter	الريف في الشتاء
1 avalanche (snow	

avalanche, Am. snowslide); kinds: wind avalanche, ground avalanche	هيار جليدي: أنواعه هيار ريحي، هيار أرضي
2 avalanche wall, a deflecting wall (diverting wall); sim.: avalanche wedge	جدار حاراف للهيار الجليدي
3 avalanche gallery	زواق الهيار الجليدي
4 snowfall	سقوط الثلوج
5 snowdrift	مخزوف ثلجي
6 snow fence	سياج احتجاز الثلوج
7 avalanche forest [planted as protection against avalanches]	غابة هيارية [مزرع كوقاء من الهيارات الجليدية]
8 street-cleaning lorry (street cleaner)	شاحنة تنظيف الشوارع
9 snow plough (Am. snowplow) attachment	جرافة الثلج
10 snow chain (skid chain, tyre chain, Am. tire chain)	سلسلة للوقاية من الانزلاق في الثلج
11 radiator bonnet (Am. radiator hood)	غطاء المشيع
12 radiator shutter and shutter opening (louvre shutter)	غطاء مغلاق المشيع وفتحة المغلاق
13 snowman	رجل جليدي
14 snowball fight	التقاذف بكرات الثلج
15 snowball	كرة ثلجية
16 ski bob	دراجة الثلج
17 slide	التزلُّق على الجليد
18 boy, sliding	صبي يتزلق
19 icy surface (icy ground)	سطح جليدي (أرض جليدية)
20 covering of snow (on the roof)	غطاء جليدي (فوق السطح)
21 icicle	دلاة جليدية
22 man clearing snow	رجل يزيل الثلج
23 snow push (snow shovel)	جاروف إزاحة الثلج
24 heap of snow	كومة ثلج
25 horse-drawn sleigh (horse sleigh)	مزالقة يجرها حصان
26 sleigh bells (bells, set of bells)	أجراس المزالقة
27 foot muff (Am. foot bag)	مؤفة تدفئة القدمين
28 earmuff	مؤفة تدفئة الأذنين
29 handsledge (tread sledge); sim.: push sledge	مزالقة يدوية
30 slush	وحل جليدي
305 Various Sports	رياضات متنوعة
1-13 skittles	لعبة القناني الخشبية
1-11 skittle frame	إطار لعبة القناني الخشبية
1 front pin (front)	القارورة الخشبية الأمامية
2 left front second pin	القارورة الخشبية الأمامية

(left front second)	البسرى
3 running three [left]	المسافة ثلاثة [يساراً]
4 right front second pin (right front second)	القارورة الخشبية الأمامية اليمنى الثانية
5 running three [right]	المسافة ثلاثة [يميناً]
6 left corner pin (left corner), a corner (copper)	قارورة الزاوية اليسرى
7 landlord	القارورة المركزية
8 right corner pin (right corner), a corner (copper)	قارورة الزاوية اليمنى
9 back left second pin (back left second)	القارورة الخشبية الخلفية اليسرى الثانية
10 back right second pin (back right second)	القارورة الخشبية الخلفية اليمنى الثانية
11 back pin (back)	القارورة الخلفية
12 pin	قارورة خشبية
13 landlord	القارورة المركزية
14-20 tenpin bowling	لعبة البولنج العشرية
14 frame	إطار
15 bowling ball (ball with finger holes)	كرة البولنج
16 finger hole	ثقب الإصبع
17-20 deliveries	أساليب قذف الكرة
17 straight ball	كرة مستقيمة
18 hook ball (hook)	كرة خطافية
19 curve	كرة منحنية
20 back-up ball (back-up)	كرة مائلة
21 boules; sim.: Italian game of boccie, green bowls (bowls)	البولنج الإيطالي
22 boules player	لاعب البولنج الإيطالي
23 jack (target jack)	كرة الهدف البيضاء
24 grooved boule	كرة البولنج الإيطالي المنحدرة
25 group of players	مجموعة من اللاعبين
26 rifle shooting	الرماية بالبندقية
27-29 shooting positions	أوضاع الرماية
27 standing position	وضع الوقوف
28 kneeling position	وضع البروك/الركوع
29 prone position	وضع الانبساط/الامتداد
30-33 targets	الاهداف
30 target for 50 m events (50 m target)	هدف مسابقات الرماية من مسافة 50 متراً
31 circle	دائرة
32 target for 100 m events (100 m target)	هدف مسابقات الرماية من مسافة 100 متر
33 bobbing target (turning target, running-board target)	هدف حرامي/متحرك
34-39 ammunition	الذخيرة
34 air rifle cartridge	خرطوش بندقية تعمل بضغط الهواء
35 rimfire cartridge for zimmerstutzen (indoor target rifle), a small-bore German single-shot rifle	خرطوش بندقية قصيرة المسابرة للرماية في الصالات المغلقة
36 case head	رأس طرف القلعة

المُلَوَّن تنثر في الاحتفالات
علاق
ملكة الجمال
شخصية خرافية (من
الحواديت)
راية ملونة خفاقة من
الورق
فتاة من فتيات المؤكبات
حارس الملك
بهلول . مهرج
طبلة مؤكب الكرنفال

307 Circus

1-63 **travelling** (*Am.*
traveling) **circus**

1 circus tent (big top), a
four-pole tent
2 tent pole
3 spotlight
4 lighting technician
5 trapeze platform
6 trapeze
7 trapeze artist
8 rope ladder
9 bandstand
10 circus band
11 ring entrance (arena
entrance)

12 wings
13 tent prop (prop)
14 safety net
15 seats for the spectators
16 circus box
17 circus manager
18 agent
19 entrance and exit
20 steps
21 ring (arena)
22 ring fence
23 musical clown (clown)
24 clown
25 comic turn (clown act),
a circus act
26 circus riders (bareback
riders)
27 ring attendant, a circus
attendant
28 pyramid
29 support
30-31 **performance by
liberty horses**
30 circus horse, performing
the levade (pesade)
31 ringmaster
32 vaulter
33 emergency exit
34 caravan (circus
caravan, *Am.* trailer)
35 springboard acrobat

جناحان
سناد الخيمة
شبكة الأمان
مقاعد المشاهدين
مقصورة السيرك
مدير السيرك
وكيل
باب الدخول والخروج
درجات سلمية
حلبة
سياج الحلبة
مهرج موسيقي
مهرج
فقره كوميدية
راكبو حصان السيرك
عامل السيرك
تشكيل هرمي
لاعب ارتكاز
عرض الخيول البرية
حصان السيرك يقوم
بالثوبن
سيد الحلبة ، مدرب
قافز
مُخرَج الطواريئ
قطيرة (كرغان السيرك)
بهلوان لَوَّح الوُثْب

الرُاف طوق رقبة مكنكش
ميدانيت
ثوب سهرة عاري الصدر
و الكفتين
بوكية
ديكوتاج مع شامة حسن
راقصة هندوسية
نبيل أسباني
كولو مبين
مهرجا
مؤلف صيني

فتاة شاذة المظهر
راعي البقر
امرأة لعوب . میناج
عُذْرور
حلبة ورديّة الشكل
بليانسون ، مهرج
فتاة الفجر
موميس (امرأة مشبهة)
بهلول
طُرْطُور البهلُول

خُشْخِشَة
مخطبة (جارية في حريم
السلطان في بلاد الشرق)
ينطلون/ينطال
قُرْصَان
وُثْم
قُبْعة ورقيّة
ألف زائفة
خُشْخِشَة
مقرعة
الألعاب النارية
كبسولة القذح
مقرقة نارية
مقرقة نارية
الدّمِيّة الوُثَابِيّة
مقرقة مدقعية
صاروخ
كرة ورقية
عفريت الطبة
مؤكبات الكرنفال
عزبة الكرنفال
الملك كرنفال
صوّلجان
شارة
الملكة كرنفال
نثار قصاصات من الورق

الرُاف
20 ruff
21 midinette
22 Biedermeier dress
23 poke bonnet
24 décolletage with beauty
spot
25 bayadère (Hindu
dancing girl)
26 grandee
27 Columbine
28 maharaja (maharajah)
29 mandarin, a Chinese
dignitary
30 exotic girl (exotic)
31 cowboy; *sim.*: gaucho
(vaquero)
32 vamp, in fancy dress
33 dandy (fop, beau)
34 rosette
35 harlequin
36 gipsy (gypsy) girl
37 cocotte (demi-monde,
demi-mondaine, demi-
rep)
38 owl-glass, a fool
(jester, buffoon)
39 foolscap (jester's cap
and bells)
40 rattle
41 odalisque, Eastern
female slave in
Sultan's seraglio
42 chalwar (pantaloons)
43 pirate (buccaneer)
44 tattoo
45 paper hat
46 false nose
47 clapper (rattle)
48 slapstick
49-54 **fireworks**
49 percussion cap
50 cracker
51 banger
52 jumping jack
53 cannon cracker
(maroon, marroon)
54 rocket
55 paper ball
56 jack-in-the-box
57-70 **carnival procession**
57 carnival float (carnival
truck)
58 King Carnival
59 bauble (fool's sceptre,
Am. scepter)
60 fool's badge
61 Queen Carnival
62 confetti

وَضَع الاستعداد عند سماع
النداء
وَضَع الإطلاق
ميدان الرماية
منبى مرتفع
منبى منخفض
مسار الهدف
محلّة الرماية (اصدوق
الرماية)
العجلة الهوائية
مقبض
مسند القدم
ركوب العربات الصغيرة
المكشوفة
عربة صغيرة مكشوفة
لوحّة الرقم
دوأسات
دولاب مملوء بالهواء
الضغوط
خزان الوقود
إطار
عجلة القيادة
مقعّد دلوي
حاجز واق
محرك ثنائي الأَشْواط
شكمان . مخمد الصوت

الكَرْنِيفَال
حفلة تنكرية

صالّة المرَقَص
فريق موسيقي ، فريق
راقص
عازف موسيقي البوب
فانوس ورقي
الْفِسْطُون حبل من الزينات
الأزياء التَّنَكْرِيّة في
الحفلة التَّنَكْرِيّة
ساحرة
فتاع
صائد الدببة
فتاة الأَباشي
جُورِب شكري
الجائزة الأولى في الطمبول

مهرجة
فتاع نصفي
شيطان
برّس تنكري
فتاة رقصة البَحْثَلَة
إكليل زهور
نُورَة رقصة البَحْثَلَة
مهرج

22 ready position on call
73 firing position
74 shooting range
75 high house
76 low house
77 target's path
78 shooting station
(shooting box)
79 **aero wheel**
80 handle
81 footrest
82 **go-karting** (karting)
83 go-kart (kart)
84 number plate (number)
85 pedals
86 pneumatic tyre (*Am.*
tire)
87 petrol tank (*Am.*
gasoline tank)
88 frame
89 steering wheel
90 bucket seat
91 protective bulkhead
92 two-stroke engine
93 silencer (*Am.* muffler)

306 Carnival
1-48 masked ball
(masquerade, fancy-
dress ball)

1 baller
2 dance band
3 pop musician
4 paper lantern
5 festoon (string of
decorations)
6-48 **disguise** (fancy
dress) at the
masquerade
6 witch
7 mask
8 fur trapper (trapper)
9 Apache girl
10 net stocking
11 first prize in the
tombola (raffle), a
hamper
12 pierette
13 half mask (domino)
14 devil
15 domino
16 hula-hula girl (Hawaii
girl)
17 garland
18 grass skirt (hula skirt)
19 pierrat

طَلقة بدون ظرف
خرطوش بندقية طويل عيار
22ر ملم
خرطوش ريمينجتون عيار
222ر
بنادق المسابقات
الرياضية
بندقية تعمل بضغط الهواء
سدادة بصرية
سدادة أمامية ، ناشكاة
أمامية
بندقية قياسيّة قصيرة
الماسورة
بندقية دولية قصيرة
الماسورة للرماية الحرّة
مسند اليدي وضع الوقوف
كلّية الدبّيك/الإخص وبها
عقيفة
الدبّيك/الإخص و ثقب
الإصبع
بندقية قصيرة الماسورة
للأهداف المتحركة
سدادة تليسكوبية
سدادة بصرية حلقية
سدادة بصرية بقلعة وقمّحة
الرُمَي بالسُهْم
الرُمَي نحو الهدف
رامي السهم
قوس الرماية في
المسابقات
شدّ القوس
علامة نقطة التصويب
قبضة
أداة موازنة
وتر السهم
سهم
رأس السهم
تربيش السهم
تلم طرف السهم
قصبة السهم
زخرفة
الهدف
لعبة البلوتة اليابسية
لاعب البلوتة
سلّة من الأُماليذ المجدولة
رعي الحمام
بندقية رشّ لِرُمَي الحَصَام
قُوْة بها خناق

gramophone needle	الغونو غراف
34 horn	٩٥٠
35 gramophone box	صندوق الغونو غراف
36 record rack	صندوق الأسطوانات
37 portable tape recorder	مسجل شرائط محمول
38 flashgun	مصباح ومضى
39 flash bulb	لمبة ومصباح
40-41 electronic flash (electronic flashgun)	مصباح ومضى إلكتروني
40 flash head	رأس المصباح الوميضي
41 accumulator	مركم
42 slide projector	فانوس عرض الشرائح (السللايدات)
43 slide holder	حامل الشرائح
44 lamphouse	مبيت المصباح
45 candlestick	شمعدان
46 scallop shell	صدفة مضارة
47 cutlery	لوازم مائدة
48 souvenir plate	دراج تذكاري
49 drying rack for photographic plates	رف تجفيف ألواح التصوير
50 photographic plate	لوح تصوير
51 delayed-action release	زر الفعل المؤخر
52 tin soldiers (sim.: lead soldiers)	تمائيل على شكل جنود من الصفصع
53 beer mug (stein)	كوب الجعة
54 bugle	نغير، بوق، صُور
55 second-hand books	كتب مستعملة
56 grandfather clock	ساعة وثقافة قائمة
57 clock case	صندوق الساعة
58 pendulum	بندول الساعة
59 time weight	ثقل الوقت
60 striking weight	ثقل دقائق الساعة
61 rocking chair	كرسي هزاز
62 sailor suit	بدلة بحار
63 sailor's hat	قبعة بحار
64 washing set	طقم غسل
65 washing basin	حوض غسل
66 water jug	إبريق الماء
67 washstand	حامل حوض الغسيل
68 dolly	المضرب أداة لتقليم الملابس أثناء الغسيل
69 washtub	وعاء غسل (طبشت)
70 washboard	لوح غسل
71 humming top	شعلة طفانة أو خذروف (العبة)
72 slate	لوح أرذواز للكتابة
73 pencil box	علبة أقلام رصاص
74 adding machine	ماكينة جمع
75 paper roll	بكرة ورق
76 number keys	مفاتيح الأرقام
77 abacus	معداد (عداد)
78 inkwell, with lid	دوّاة حبر ذات غطاء
79 typewriter	آلة كتابته
80 [hand-operated] calculating machine (calculator)	آلة حاسبة يدوية
81 operating handle	ذراع تشغيل
82 result register (product)	مُسجل نتائج العمليات

(springboard artist)	16 pickpocket (thief)	نشال
36 springboard	17 vendor	بائع
37 knife thrower	18 nougat	نوجة
38 circus marksman	19 ghost train	قطار الأشباح
39 assistant	20 monster	وحش
40 tightrope dancer	21 dragon	تنين
41 tightrope	22 monster	وحش
42 balancing pole	23 beer marquee	سُرّاق
43 throwing act	24 sideshow	استعراض جانبي
44 balancing act	25-28 travelling (Am. travelling) artistes (traveling show people)	الفنانون الجوّالون
45 support	25 fire eater	أكل النار
46 pole (bamboo pole)	26 sword swallower	بائع السيوف
47 acrobat	27 strong man	القُوّة
48 equilibrist (balancer)	28 escapologist	لاعب التخلّص من الأغلال
49 wild animal cage, a round cage	29 spectators	المُشاهدون، المُنظّرة
50 bars of the cage	30 ice-cream vendor (ice-cream man)	بائع الآيس كريم/البوظة
51 passage (barred passage, passage for the wild animals)	31 ice-cream comet, with ice cream	بسكوّنة آيس كريم
52 tamer (wild animal tamer)	32 sausage stand	مُضمة بيع المقانق
53 whip	33 grill (Am. broiler)	مُثوّاة
54 fork	34 bratwurst (grilled sausage, Am. broiled sausage)	مُفانق مُثوّاة
55 pedestal	35 sausage tongs	مأسك المقانق
56 wild animal (tiger, lion)	36 fortune teller	العرافة
57 stand	37 big wheel (Ferris wheel)	أرّجوحة السّافيّة
58 hoop (jumping hoop)	38 orchestrión (automatic organ), an automatic musical instrument	أرّغن آلي
59 seesaw	39 scenic railway (switch-back)	أرّجوحة سكة حديدية صغيرة تجري بين مناظر اصطناعية
60 ball	40 toboggan slide (chute)	زُحلوقة التوبوغان
61 camp	41 swing boats	أرّجوحة القوارب
62 cage caravan	42 swing boat, turning full circle	قارب أرّجوحة يدور دوّرة كاملة
63 menagerie	43 full circle	دوّرة كاملة
	44 lottery booth (tombola booth)	كشك اللواترية/الطمبولا
	45 wheel of fortune	عُجّلة الحظ
	46 devil's wheel (typhoon wheel)	عُجّلة الشيطان
	47 throwing ring (quoit)	حلقة الغداف (الكث)
	48 prizes	جوائز
	49 sandwich man on stilts	بائع سندوتشات يسير فوق طوّالتين
	50 sandwich board (placard)	إعلان عن السندوتشات
	51 cigarette seller, an itinerant trader (a hawk)	بائع سجائر متجول
	52 tray	صينية
	53 fruit stall	كُشك الفاكهة
	54 wall-of-death rider	لاعب جدار الموت
	55 hall of mirrors	قاعة المرآيا (الصاحجة)
	56 concave mirror	مرآة مُقعّرة
	57 convex mirror	مرآة مُحدّبة
	58 shooting gallery	رُكن لعبة الرماية
	59 giant swing boat	أرّجوحة القارب المعلق
	60 junk stalls (second-hand stalls)	أكشاك بيع البضائع المستعملة
	61 first aid tent (first aid post)	خيمة الإسعافات الأوّلية
	62 dodgems (bumper cars)	لعبة سيارات التصادم
	63 dodgem (bumper car)	سيارة تصادم
	64-66 pottery stand	مُضمة بيع الفخاريات
	64 barker	المنادي على المعروضات
	65 market woman	بائعة السوق
	66 pottery	أوان فخاريّة
	67 visitors to the fair	زوّار السوق
	68 waxworks	مُشغولات من الشمّع
	69 wax figure	تمثال من الشمّع
	309 Flea Market	سوق السِّلَع الرّخيصة أو المُستعمّلة
	1 treadle sewing machine	ماكينة خياطة بدوّاسة
	2 flower vase	زهريّة، مزهريّة
	3 wall mirror	مرآة حائط
	4 cylindrical stove	موقد أسطوانوي
	5 stovepipe	ماسورة الموقد
	6 stovepipe elbow	مرفق ماسورة الموقد
	7 stove door	باب الموقد
	8 stove screen	ستار الموقد
	9 coal scuttle	دلو الفحم
	10 firewood basket	سلة حطب
	11 doll	دميّة
	12 teddy bear	دبّ لُعْبَة
	13 barrel organ	أرّغن يدوي
	14 orchestrión	أرّغن آلي
	15 metal disc (disk)	قرص معدني
	16 radio (radio set, jock.: 'steam radio'), a super heterodyne (superhet)	مذياع، راديو
	17 baffle board	لوح حَجَز المَوْجَات الصوتيّة
	18 'magic eye', a tuning indicator valve	"عين سحرية". صمام دليلي للضبط الدقيق
	19 loudspeaker aperture	فتحة مكبر الصوت
	20 station selector buttons (station preset buttons)	مفاتيح انتقاء القنوات
	21 tuning knob	مفتاح التردد
	22 frequency bands	نطاقات التردد
	23 crystal detector (crystal set)	كشاف كريستالي
	24 headphones (headset)	سماعات الرأس
	25 folding camera	كاميرا قابلة للطّي
	26 bellows	مُفخّاح الكاميرا
	27 hinged cover	غطاء مفصلي
	28 spring extension	وسّلة امتدادية نابضيّة
	29 salesman	بائع
	30 box camera	كاميرا صندوقيّة
	31 gramophone	الغونو غراف
	32 record (gramophone record)	أسطوانة فونوغراف
	33 needle head with	رأس إبري وبه إبرَة

register)	الحسابية
83 rotary counting mechanism (rotary counter)	آلية حساب دوارة
84 kitchen scales	ميزان مطبخ
85 waist slip (underskirt)	جيبونة (ثورة تحشية)
86 wooden handcart	عربة يد خشبية
87 wall clock	ساعة حائط
88 bed warmer	جهاز تدفئة السرير
89 milk churn	قسط اللبن
310 Films (Motion Pictures) I	الأفلام السينمائية (I)
1-13 film studios (studio complex, <i>Am.</i> movie studios)	استوديوهات التصوير السينمائي
1 lot (studio lot)	أرض الاستديو
2 processing laboratories (film laboratories, motion picture laboratories)	معامل تخميص الأفلام
3 cutting rooms	خبرات تنقيح الأفلام السينمائية والأشرطة المسجلة
4 administration building (office building, offices)	مبنى الإدارة
5 film (motion picture) storage vault (film library, motion picture library)	مكتبة الأفلام
6 workshop	ورشة
7 film set (<i>Am.</i> movie set)	منظر سينمائي
8 power house	وحدة توليد الطاقة
9 technical and research laboratories	المعامل الفنية ومعامل البحث
10 groups of stages	مجموعات من المنصات/ المسارح
11 concrete tank for marine sequences	خزان خرساني لأخذ سلسلة لقطات بحرية متعاقبة
12 cyclorama	ستارة سيكلورامية
13 hill	تل
14-60 shooting (filming)	تصوير اللقطات
14 music recording studio (music recording theatre, <i>Am.</i> theater)	ستوديو تسجيل الموسيقى
15 'acoustic' wall lining	بطانة جدار صوتية
16 screen (projection screen)	شاشة (شاشة إسقاط الصورة)
17 film orchestra	أوركسترا موسيقى الفيلم التصويرية
18 exterior shooting (outdoor shooting, exterior filming, outdoor filming)	تصوير مناظر خارجية
19 camera with crystal-controlled drive	كاميرا ذات مقود تحكم بلوري
20 cameraman	المصور

21 assistant director	مساعد المخرج
22 boom operator (boom swinger)	مشغل ذراع الميكروفون
23 recording engineer (sound recordist)	مهندس تسجيل الصوت
24 portable sound recorder with crystal-controlled drive	جهاز تسجيل صوت محمول ذو مقود تحكم بلوري
25 microphone boom	ذراع الميكروفون
26-60 shooting (filming) in the studio (on the sound stage, on the stage, in the filming hall)	التصوير داخل الاستديو
26 production manager	مدير الإنتاج
27 leading lady (film actress, film star, star)	بطلة الفيلم
28 leading man (film actor, film star, star)	بطل الفيلم
29 film extra (extra)	كوميبارس الفيلم
30 arrangement of microphones for stereo and sound effects	مجموعة مرتبة من الميكروفونات للصوت المصنم والمؤثرات الصوتية
31 studio microphone	ميكروفون الاستديو
32 microphone cable	كابل الميكروفون
33 side flats and background	الأسطح الجانبية وخلفية المنظر
34 clapper boy	عامل "الكلايك"
35 clapper board (clapper) with slates (boards) for the film title, shot number (scene number), and take number	لوح "الكلايك" ويحمل اسم الفيلم ورقم اللقطة ورقم المنظر
36 make-up artist (hairstylist)	المالكير (مصنّف الشعر)
37 lighting electrician (studio electrician, lighting man, <i>Am.</i> gaffer)	فني الإضاءة
38 diffusing screen	سِتار نشر الضوء
39 continuity girl (script girl)	فتاة السيناريو
40 film director (director)	مخرج الفيلم
41 cameraman (first cameraman)	المصور (مصور أول)
42 camera operator, an assistant cameraman (camera assistant)	مساعد المصور، مشغل الكاميرا
43 set designer (art director)	مصمم المناظر (المدير الفني)
44 director of photography	مدير التصوير
45 filmscript (script, shooting script, <i>Am.</i> movie script)	سيناريو الفيلم
46 assistant director	مخرج مساعد
47 soundproof film camera (soundproof motion picture camera), a wide screen	كاميرا تصوير سينمائي بعازل للصوت

camera (cinemascope camera)	كاميرا عازل للصوت
48 soundproof housing (soundproof cover, blimp)	مبيت كاميرا عازل للصوت
49 camera crane (dolly)	مبضعة تحريك الكاميرا
50 hydraulic stand	حامل هيدرولي
51 mask (screen) for protection from spill light (gobo)	سِتار للحماية من الضوء الزائد
52 tripod spotlight (fill-in light, filler light, fill light, filler)	ضوء كشاف على حامل ثلاثي
53 spotlight catwalk	ممر الأضواء الكاشفة
54 recording room	خبرة التسجيل
55 recording engineer (sound recordist)	مهندس (تسجيل) الصوت
56 mixing console (mixing desk)	كونسول المكساج (الدمج)
57 sound assistant (assistant sound engineer)	مساعد مهندس الصوت
58 magnetic sound recording equipment (magnetic sound recorder)	مسجل صوت مغناطيسي
59 amplifier and special effects equipment, e.g. for echo and sound effects	مضخم الصوت ومعدات المؤثرات الخاصة
60 sound recording camera (optical sound recorder)	كاميرا تسجيل صوتي (مسجل صوت ضوئي)
311 Films (Motion Pictures) II	الأفلام السينمائية (2)
1-46 sound recording and re-recording (dubbing)	تسجيل الصوت والذوبلاج
1 magnetic sound recording equipment (magnetic sound recorder)	معدات تسجيل صوت مغناطيسي
2 magnetic film spool	بكرة الشريط المغناطيسي
3 magnetic head support assembly	مجموعة حامل الرأس المغناطيسي
4 control panel	لوحة التحكم
5 magnetic sound recording and playback amplifier	مجسم الصوت الخاص بتسجيل الصوت المغناطيسي وتشغيله
6 optical sound recorder (sound recording camera, optical sound recording equipment)	مسجل الصوت الضوئي
7 daylight film magazine	مخزن حفظ الفيلم في ضوء النهار
8 control and monitoring panel	لوحة التحكم والمراقبة
9 eyepiece for visual	عينية للتحكم البصري في

control of optical sound recording	تحكم الصوت الضوئي
10 deck	قائمة
11 recording amplifier and mains power unit	مجسم صوت المغناطيسي
12 control desk (control console)	لوحة التحكم
13 monitoring loudspeaker (control loudspeaker)	مكبر صوت المغناطيسي
14 recording level indicators	مؤشرات مستوى تسجيل الصوت
15 monitoring instruments	الأجهزة القياسية
16 jack panel	لوحة المقابس
17 control panel	لوحة التحكم
18 sliding control	زر تحكم انزلاقي
19 equalizer	الموازن
20 magnetic sound deck	جهاز الصوت المغناطيسي
21 mixer for magnetic film	جهاز مكساج الفيلم المغناطيسي
22 film projector	بروجكتور عرض الفيلم
23 recording and playback equipment	معدات التسجيل والاستماع
24 film reel (film spool)	بكرة الفيلم
25 head support assembly for the recording head, and playback head, and erase head	مجموعة حامل رؤوس التسجيل والاستماع والمسح
26 film transport mechanism	آلية نقل الفيلم
27 synchronizing filter	مرشّح تزامني
28 magnetic sound amplifier	مجسم صوت مغناطيسي
29 control panel	لوحة تحكم
30 film-processing machines (film-developing machines) in the processing laboratory (film laboratory, motion picture laboratory)	معدات معالجة الفيلم في معمل معالجة الأفلام
31 echo chamber	غرفة الصدى
32 echo chamber loudspeaker	مكبر صوت غرفة الصدى
33 echo chamber microphone	ميكروفون غرفة الصدى
34-36 sound mixing (sound dubbing, mixing of several sound tracks)	الذوبلاج (مزج الأصوات)
34 mixing room (dubbing room)	خبرة الذوبلاج
35 mixing console (mixing desk) for mono or stereo sound	كونسول دبلجة الصوت العادي أو المجسم
36 dubbing mixers (recording engineers, sound recordists) dubbing (mixing)	مهندسو الذوبلاج
37-41 synchronization	الدبلجة

(syncing, dubbing, post-synchronization, post-syncing)	سَدْيُو الدَّبْلَجة
37 dubbing studio (dubbing theatre, <i>Am.</i> theater)	مَدِير الدَوْبِلَاج
38 dubbing director	المَتَحَدَّث المَرَاد دَبْلَجة
39 dubbing speaker (dubbing actress)	صَوْتِه
40 boom microphone	مِيكروفون ذُو ذِرَاع
41 microphone cable	كَيْبِل المِيكروفون
42-46 cutting (editing)	تَنْقِيح الأفلام وَتَشْرِاط (طَاوِلَة المَوْتَاچ)
42 cutting table (editing table, cutting bench)	المونتر
43 film editor (cutter)	أَقْرَاص الفِيلْم الدَوَّارة
44 film turntables for picture and sound tracks	الحَاطِلَة لِمْسَارَات الصوَرَة وَالصوْت
45 projection of the picture	عَرَض الصوَرَة
46 loudspeaker	مَكْبَر صوْت
312 Films (Motion Pictures) III	الأفلام السِينِمَائِيَّة (3)
1-23 film projection (motion picture projection)	عَرَض الفِيلْم
1 cinema (picture house, <i>Am.</i> movie theater, movie house)	دَار السِينمَا (الْحَيَالَة)
2 cinema box office (<i>Am.</i> movie theater box office)	شَبَاك التذَاكُر
3 cinema ticket (<i>Am.</i> movie theater ticket)	تَذَكْرَة السِينمَا
4 usherette	دَلِيل النُّظَارَة إِلَى مَقَاعِدِهِمْ
5 cinemagoers (film-goers, cinema audience, <i>Am.</i> movie-goers, movie audience)	زَاوِر السِينمَا
6 safety lighting (emergency lighting)	ضَوْء مَخْرَج الطَوَارِي
7 emergency exit	مَخْرَج الطَوَارِي
8 stage	مَسْرَح
9 rows of seats (rows)	صَفُوف مَن المَقَاعِد
10 stage curtain (screen curtain)	سِتَارَة المَسْرَح (سِتَارَة الشَاشَة)
11 screen (projection screen)	شَاشَة (شَاشَة العَرَض)
12 projection room (projection booth)	حُجْرَة إِسْقَاط الفِيلْم عَلَي الشَاشَة
13 lefthand projector	جِهَاز الإِسْقَاط الأَيْسَر
14 righthand projector	جِهَاز الإِسْقَاط الأَيْمَن
15 projection room window with projection window and observation port	نَافِذَة حُجْرَة الإِسْقَاط ذَات نَافِذَة الإِسْقَاط وَكُوَّة المَرَاقِبَة
16 reel drum (spool box)	عَلْبَة بَكْرَة الفِيلْم
17 house light dimmers	أَجْهَزة التَحْكُم فِي خَفْت

(auditorium lighting control)	إِضَاءَة دَوْر العَرَض
18 rectifier, a selenium or mercury vapour rectifier for the projection lamps	مَقَوِّم التِيَار المَتَرَد
19 amplifier	مُضَخِّم الصوْت
20 projectionist	فَنِي أَجْهَزة العَرَض
21 rewind bench for rewinding the film	طَاوِلَة لَفْ الفِيلْم إِلَى بَدَائِيَه
22 film cement (splicing cement)	مَادَة لاصِقَة للأفلام
23 slide projector for advertisements	جِهَاز عَرَض السَلَايَدَات الخَاص بِالإِعْلَانَات
24-52 film projectors	أَجْهَزة عَرَض الفِيلْم
24 sound projector (film projector, cinema projector, theatre projector, <i>Am.</i> movie projector)	جِهَاز الصوْت
25-38 projector mechanism	أَلْيَة جِهَاز العَرَض
25 fireproof reel drums (spool boxes) with circulating oil cooling system	أَسْطُوَانَا البَكْرِيْنَ المَقَاوِمَات لِالحَرِيق المَزُودَات بِنِظَام تَبْرِيد زَيْتِي
26 feed sprocket (supply sprocket)	ضُرْس التَلْقِيْم
27 take-up sprocket	ضُرْس التَقَاط الفِيلْم
28 magnetic head cluster	عَنْقُود الرُّؤْس المَغْنَطِيْسِي
29 guide roller (guiding roller) with framing control	دَوْلَقِيْن دَلِيلِي ذُو تَحْكُم إِطَارِي
30 loop former for smoothing out the intermittent movement; <i>also:</i> film break detector	أَلْيَة تَشْكِيل أَتَشَوُّطِيَة لِلسوَرَة الحَرَكَة المَعْتَمَلَة. أَيْضًا جِهَاز كَشْف انْقِطَاع الفِيلْم
31 film path	مَسَار الفِيلْم
32 film reel (film spool)	بَكْرَة الفِيلْم
33 reel of film	لَقَاة الفِيلْم
34 film gate (picture gate, projector gate) with cooling fan	بَوَابَة فِيلْم بِعَرُوحَة تَبْرِيد
35 projection lens (projector lens)	عَدَسَات جِهَاز العَرَض
36 feed spindle	مَحْوَر تَلْقِيْم دَوَّار
37 take-up spindle with friction drive	مَحْوَر التَقَاط الفِيلْم ذُو إِدَارَة اِحْتَاكِيَّة
38 maltese cross mechanism (maltese cross movement, Geneva movement)	أَلْيَة صَلِيب مَالِطَة
39-44 lamphouse	مَبِيْت المَصْبَاح
39 mirror arc lamp, with aspherical (non-spherical) concave mirror and blowout magnet for stabilizing the arc (<i>also:</i> high-	مَصْبَاح قَوْسِي ذُو مِرَاة لِأَكْرُوْبِيَّة مَعْتَمَلَة وَمَغْنَطِيْس لِتَثْبِيْت القَوْس (مَصْبَاح زَيْتُون قَوِي عَالِي الضَّغْط)

pressure xenon arc lamp)	مَصْبِيْب كَرْبُون مُوجِب
40 positive carbon (positive carbon rod)	قَوْس
41 negative carbon (negative carbon rod)	حَامِل قَصِيْب الكَرْبُون
42 arc	حَفْرَة الكَرْبُون
43 carbon rod holder	وَحْدَة الصوْت الصُّوْتِي (مَمصَمَة أَيْضًا لِلسوْت المَجْسِم البَصْرِي مُعْتَمَد القُوَات وَلْمَسَارَات الصوْت الدَفْعِيَة الجَذْبِيَة)
44 crater (carbon crater)	بَصْرِيَّات صَوْتِيَة
45 optical sound unit [also designed for multi-channel optical stereo-phonetic sound and for push-pull sound tracks]	رَأْس صَوْتِي
46 sound optics	مَصْبَاح مُسْتَشِير فِي مَبِيْتِه
47 sound head	خَلِيَّة كَهْر وَضُوئِيَّة فِي أَسْطُوَانَة مَحْوَفَة
48 exciter lamp in housing	وَحْدَة صوْت مَغْنَطِيْسِيَّة
49 photocell in hollow drum	ذَات أَرْبَعَة مَسَاك قَابِلَة لِلفَصْل وَالتَرَكِيْب
50 attachable four-track magnetic sound unit (penthouse head, magnetic sound head)	رَأْس مَغْنَطِيْسِي ذَات أَرْبَع مَسَارَات
51 four-track magnetic head	جِهَاز عَرَض سِينِمَائِي ذُو مَقْيَاس ضَيْق لِلسِينمَا المَتَنَقَلَة
52 narrow-gauge (<i>Am.</i> narrow-gage) cinema projector for mobile cinema	
313 Films (Motion Pictures) IV	الأفلام السِينِمَائِيَّة (4)
1-39 motion picture cameras (film cameras)	كَامِيرَات الصُّوْر المَتَحَرِكَة
1 standard-gauge (<i>Am.</i> standard-gage) motion picture camera (standard-gauge, <i>Am.</i> standard gage, 35 mm camera)	كَامِيرَا تَصْوِير سِينِمَائِي ذَات مَقْيَاس قِيَاسِي 35 مِلْم
2 lens (object lens, taking lens)	عَدَسَة
3 lens hood (sunshade) with matte box	غِطَاء عَدَسَة ذُو صَنْدُوق مَطْفَأ المَلْمَعَة
4 matte (mask)	سَطْح مَطْفَأ المَلْمَعَة (مَصْنُوع)
5 lens hood barrel	أَسْطُوَانَة غِطَاء العَدَسَة
6 viewfinder eyepiece	عَيْنِيَّة مَحْدَد الرُّوْبَة
7 eyepiece control ring	حَلَقَة ضَبْط العَيْنِيَّة
8 opening control for the segment disc (disk) shutter	ذِرَاع ضَبْط الفَتْحَة الخَاص بِعِغْلَاق القَرَص
9 magazine housing	مَبِيْت عَلْبَة الفِيلْم
10 slide bar for the lens hood	القَصْبِيْب المَنْزَلِق الخَاص بِغِطَاء العَدَسَة
11 control arm (control lever)	ذِرَاع الضَبْط
12 pan and tilt head	رَأْس التَدْوِير الفَوْتُوغْرَافِي وَالإِيْمَالَة
13 wooden tripod	حَامِل ثَلَاثِي خَشْبِي

14 depth scale	مَقْيَاس العُمْدَة
15 soundproof (blimped) motion picture camera (film camera)	كَامِيرَا تَصْوِير الفِيلْم بِغِطَاء العَدَسَة
16-18 soundproof housing (blimp)	غِطَاء عَارِز لِلسوْت
16 upper section of the soundproof housing	الذَّرْع العُلْوِي لِلسَوْت العَارِز
17 lower section of the soundproof housing	الذَّرْع السَفْلِي لِلسَوْت العَارِز
18 open sidewall of the soundproof housing	الجَانِب البَاطِنِي المَعْفُوح لِلسَوْت العَارِز لِلسوْت
19 camera lens	عَدَسَة الكَامِيرَا
20 lightweight professional motion picture camera	كَامِيرَا تَصْوِير سِينِمَائِي خَفِيْفَة الوِزْن
21 grip (handgrip)	قَبْضَة اليَد وَزَرَّ العِتَاق
22 zooming lever	ذِرَاع عَدَسَة الزُّوم
23 zoom lens (variable focus lens, varifocal lens) with infinitely variable focus	عَدَسَة زُوم ذَات بَعْد بُوْرِي لِانْتِهَائِي مُتَوَع
24 handgrip with shutter release	قَبْضَة اليَد وَزَرَّ العِتَاق المَعْفُوق
25 camera door	بَاب الكَامِيرَا
26 sound camera (news-reel camera) for recording sound and picture	كَامِيرَا صَوْتِيَّة لِتَشْجِيل الصوْت وَالصوَرَة
27 soundproof housing (blimp)	مَبِيْت عَارِز لِلسوْت
28 window for the frame counters and indicator scales	نَافِذَة عَدَادَات الإِطَار وَالمَقْيَاسَات الإِرْشَادِيَّة
29 pilot tone cable (sync pulse cable)	كَيْبِل النَغْمَة الدَلِيلِيَّة
30 pilot tone generator (signal generator, pulse generator)	مُولِد النَغْمَة الدَلِيلِيَّة
31 professional narrow-gauge (<i>Am.</i> narrow-gage) motion picture camera, a 16 mm camera	كَامِيرَا تَصْوِير سِينِمَائِي عِيَار 16 مِلْم
32 lens turret (turret head)	بُرْج العَدَسَة
33 housing lock	حَاسِب المَبِيْت
34 eyecup	كَاس العَيْنِيَّة
35 high-speed camera, a special narrow-gauge (<i>Am.</i> narrow-gage) camera	كَامِيرَا عَالِيَة السَّرْعَة، كَامِيرَا خَاصَة بِمَقْيَاس ضَيْق
36 zooming lever	ذِرَاع الزُّوم
37 rifle grip	قَبْضَة بَنْدُوقِيَّة
38 handgrip with shutter release	قَبْضَة اليَد وَزَرَّ العِتَاق المَعْفُوق
39 lens hood bellows	مِغْفَاح غِطَاء العَدَسَة
314 Ballet	البَالِيَه
1-6 the five positions	الأَوْضَاع الخَمْسَة لِلبَالِيَه

12 border	حَدٌّ
13 compartment (compartment-type, compartmentalized) batten (<i>Am.</i> border light)	عارضة خشبية
14 stage lighting units (stage lights)	وحدات إضاءة خشبية المنسرح
15 horizon lights (backdrop lights)	أضواء الستارة الخلفية
16 adjustable acting area lights (acting area spot-lights)	أضواء كاشفة خاصة بمنطقة التمثيل على المنسرح
17 scenery projectors (projectors)	أجهزة عرض المناظر
18 monitor (water cannon) (piece of safety equipment)	مِدْفَعُ المياه (معدة سلامة)
19 travelling (<i>Am.</i> traveling) lighting bridge (travelling lighting gallery)	جسر إضاءة متحرك
20 lighting operator (lighting man)	مُشغِّل الإضاءة
21 portal spotlight (tower spotlight)	ضوء كاشف بُرْجِيّ
22 adjustable proscenium	ستارة المنسرح وإطارها (قابلة للضبط)
23 curtain (theatrical curtain)	ستارة
24 iron curtain (safety curtain, fire curtain)	ستارة حديدية (ستارة أمان، ستارة حريق)
25 forestage (apron)	مقدمة خشبية المنسرح أمام الستارة
26 footlight (footlights, floats)	إضاءة سفلية
27 prompt box	صندوق المُلقِّن
28 prompter	المُلقِّن
29 stage manager's desk	مكتب مدير خشبة المنسرح
30 stage director (stage manager)	مدير خشبة المنسرح
31 revolving stage	منسرح دَوَّار
32 trap opening	باب منسحور
33 lift (<i>Am.</i> elevator)	مصعد
34 bridge (<i>Am.</i> elevator), a rostrum	كوبيري، جسر
35 pieces of scenery	قِطَع المناظر
36 scene	مَشْهَد
37 actor	مُمثِّل
38 actress	مُمثِّلة
39 extras (supers, supernumeraries)	كومبارس
40 director (producer)	المُخرِج (المنتج)
41 prompt book (prompt script)	سيناريو المُلقِّن
42 director's table (producer's table)	طاولة المُخرِج (طاولة المنتج)
43 assistant director (assistant producer)	المُخرِج المُساعد (المنتج المساعد)

حَجْرَةُ الطلاء، وَرْشَةٌ	28-42 paint room, a workshop
مَبْدَلُ المناظر	28 stagehand (scene shifter)
مَمَرٌ (كوبيري)	29 catwalk (bridge)
قطعة منظر في المسرحية	30 set piece
دعامتا تقوية	31 reinforcing struts
قطعة مبنية	32 built piece (built unit)
ستارة المنسرح الخلفية	33 backcloth (backdrop)
صندوق علَب الطلاء	34 portable box for paint containers
عامل طلاء المناظر	35 scene painter
ترولي الطلاء	36 paint trolley
مُصمِّمُ المناظر	37 stage designer (set designer)
مُصمِّمُ الملابس	38 costume designer
تصميم ملابس	39 design for a costume
رسم تخطيني لزي	40 sketch for a costume
نموذج مسرح	41 model stage
نموذج منظر مسرحي	42 model of the set
حجيرة الملابس	43-52 dressing room
مرآة حجيرة الملابس	43 dressing room mirror
مريلة الماكياج	44 make-up gown
طاولة المكياج	45 make-up table
قلم مكياج شخصي	46 greasepaint stick
الماكيجر الرئيسي	47 chief make-up artist (chief make-up man)
مُصمِّفُ الشعر	48 make-up artist (hair-stylist)
شعر مُستعار (باروكة)	49 wig
مُقتَنيات	50 props (properties)
زي مسرحي	51 theatrical costume
ضوء الاستدعاء	52 call light

21 border	حَدٌّ
22 compartment (compartment-type, compartmentalized) batten (<i>Am.</i> border light)	عارضة خشبية
23 stage lighting units (stage lights)	وحدات إضاءة خشبية المنسرح
24 horizon lights (backdrop lights)	أضواء الستارة الخلفية
25 adjustable acting area lights (acting area spot-lights)	أضواء كاشفة خاصة بمنطقة التمثيل على المنسرح
26 scenery projectors (projectors)	أجهزة عرض المناظر
27 monitor (water cannon) (piece of safety equipment)	مِدْفَعُ المياه (معدة سلامة)
28 travelling (<i>Am.</i> traveling) lighting bridge (travelling lighting gallery)	جسر إضاءة متحرك
29 lighting operator (lighting man)	مُشغِّل الإضاءة
30 portal spotlight (tower spotlight)	ضوء كاشف بُرْجِيّ
31 adjustable proscenium	ستارة المنسرح وإطارها (قابلة للضبط)
32 curtain (theatrical curtain)	ستارة
33 iron curtain (safety curtain, fire curtain)	ستارة حديدية (ستارة أمان، ستارة حريق)
34 forestage (apron)	مقدمة خشبية المنسرح أمام الستارة
35 footlight (footlights, floats)	إضاءة سفلية
36 prompt box	صندوق المُلقِّن
37 prompter	المُلقِّن
38 stage manager's desk	مكتب مدير خشبة المنسرح
39 stage director (stage manager)	مدير خشبة المنسرح
40 revolving stage	منسرح دَوَّار
41 trap opening	باب منسحور
42 lift (<i>Am.</i> elevator)	مصعد
43 bridge (<i>Am.</i> elevator), a rostrum	كوبيري، جسر
44 pieces of scenery	قِطَع المناظر
45 scene	مَشْهَد
46 actor	مُمثِّل
47 actress	مُمثِّلة
48 extras (supers, supernumeraries)	كومبارس
49 director (producer)	المُخرِج (المنتج)
50 prompt book (prompt script)	سيناريو المُلقِّن
51 director's table (producer's table)	طاولة المُخرِج (طاولة المنتج)
52 assistant director (assistant producer)	المُخرِج المُساعد (المنتج المساعد)

baton)	28-42 paint room, a workshop
مَبْدَلُ المناظر	28 stagehand (scene shifter)
مَمَرٌ (كوبيري)	29 catwalk (bridge)
قطعة منظر في المسرحية	30 set piece
دعامتا تقوية	31 reinforcing struts
قطعة مبنية	32 built piece (built unit)
ستارة المنسرح الخلفية	33 backcloth (backdrop)
صندوق علَب الطلاء	34 portable box for paint containers
عامل طلاء المناظر	35 scene painter
ترولي الطلاء	36 paint trolley
مُصمِّمُ المناظر	37 stage designer (set designer)
مُصمِّمُ الملابس	38 costume designer
تصميم ملابس	39 design for a costume
رسم تخطيني لزي	40 sketch for a costume
نموذج مسرح	41 model stage
نموذج منظر مسرحي	42 model of the set
حجيرة الملابس	43-52 dressing room
مرآة حجيرة الملابس	43 dressing room mirror
مريلة الماكياج	44 make-up gown
طاولة المكياج	45 make-up table
قلم مكياج شخصي	46 greasepaint stick
الماكيجر الرئيسي	47 chief make-up artist (chief make-up man)
مُصمِّفُ الشعر	48 make-up artist (hair-stylist)
شعر مُستعار (باروكة)	49 wig
مُقتَنيات	50 props (properties)
زي مسرحي	51 theatrical costume
ضوء الاستدعاء	52 call light

315 Theatre (<i>Am.</i> Theater) I	المُنسرح (1)
1-4 types of curtain operation	أنواع تَشغِيل الستارة
1 draw curtain (side parting)	سِتَّارة تُشَمَّب إلى الجانب
2 tableau curtain (bunching up sideways)	سِتَّارة التابلوه. تفتتح في الوسط ولها جناحان يمكن رفعهما لأعلى أو سحبهما يمينا ويسارا سِتَّارة رأسيّة
3 fly curtain (vertical ascent)	سِتَّارة رأسيّة تتسحب إلى الجانب
4 combined fly and draw curtain	رُذَعة حجيرة إبداع المَعاطف والقَبِيعات حجيرة إبداع المَعاطف
5-11 cloakroom hall (<i>Am.</i> checkroom hall)	عائلة حجيرة إبداع المَعاطف
5 cloakroom (<i>Am.</i> checkroom)	بطاقة حجيرة إبداع المَعاطف
6 cloakroom attendant (<i>Am.</i> checkroom attendant)	زائر المُنسرح
7 cloakroom ticket (<i>Am.</i> check)	مِنظار الأوبرا
8 playgoer (theatregoer, <i>Am.</i> theatregoer)	بُواب ببدلة رسمية
9 opera glass (opera glasses)	تذكرة دخول المُنسرح
10 commissionaire	بُواب ببدلة رسمية
11 theatre (<i>Am.</i> theater) ticket, an admission ticket	تذكرة دخول المُنسرح
12-13 foyer (lobby, crush room)	بَهْو/ رِوَاق المُنسرح
12 usher, <i>form.</i> : box attendant	دليل المُنظَّارة إلى مقاعدهم
13 programme (<i>Am.</i> program)	البرنامج
14-27 auditorium and stage	القاعة وخشبة المُنسرح
14 stage	خَشْبَةُ المنسرح
15 proscenium	ستارة المنسرح وإطارها
16-20 auditorium	القاعة
16 gallery (balcony)	البَلْكُون
17 upper circle	الطُرُقَةُ العلوية
18 dress circle (<i>Am.</i> balcony, mezzanine)	الطُرُقَةُ الرسمية
19 front stalls	المقاعد الأمامية
20 seat (theatre seat, <i>Am.</i> theater seat)	مَقْعَد
21-27 rehearsal (stage rehearsal)	البروفات المسرحية
21 chorus	كورال
22 singer	مُغَنِّي
23 singer	مُغَنِّية
24 orchestra pit	مَوْضِع الأوركسترا أمام خشبة المسرح الأوركسترا
25 orchestra	الأوركسترا
26 conductor	قائد الأوركسترا
27 baton (conductor's)	عصا قائد الأوركسترا

(ballet positions)	الوَضْعُ الأوَّل
1 first position	الوَضْعُ الثاني
2 second position	الوَضْعُ الثالث
3 third position	الوَضْعُ الرابع [مفتوح]
4 fourth position [open]	الوَضْعُ الرابع [متقاطع]
5 fourth position [crossed; extended fifth position]	الوَضْعُ الخامس المُعَمِّد
6 fifth position	الوَضْعُ الخامس
7-10 ports de bras (arm positions)	أَوْضَاعُ الذَّرَاعَيْنِ
7 port de bras à coté	وَضْعُ الذَّرَاعَيْنِ جانِباً
8 port de bras en bas	وَضْعُ الذَّرَاعَيْنِ إلى أسفل
9 port de bras en avant	وَضْعُ الذَّرَاعَيْنِ للأمام
10 port de bras en haut	وَضْعُ الذَّرَاعَيْنِ لأعلى
11 dégagé à la quatrième devant	وَقُوف على طرف القَدَم اليسرى إلى الأمام والقَدَم اليمنى ثابتة
12 dégagé à la quatrième derrière	وَقُوف على طرف القَدَم اليسرى إلى الخلف والقَدَم اليمنى ثابتة
13 effacé	وَقُوف على طرف القَدَم اليسرى إلى الجانب والقَدَم اليسرى ثابتة
14 sur le cou-de-pied	وَقُوف على طرف القَدَم اليسرى وضهما إلى القَدَم اليمنى
15 écarté	وَقُوف على القَدَم اليسرى ورفع الرُجُل اليمنى مستقيمة إلى الجانب
16 croisé	وَقْفَةٌ تَصَالِيْبِيَّة
17 attitude	الوَقُوف على طرف القَدَم ورفع الأخرى مستقيمة إلى الخلف
18 arabesque	أرَابيسك
19 à pointe (on full point)	طَرَف القَدَم
20 splits	أَنْفِرَاج السَّاقَيْنِ بزَاوية قائِمة مع الجِذَع
21 cabriole (capriole)	وَثْبَةٌ
22 entrechat (entrechat quatre)	وَثْبَةٌ تَصَالِيْبِيَّة
23 préparation [e.g. for a pirouette]	الإعداد [لدوران البرُوْتَة مثلاً]
24 pirouette	بَرُوْتَة (دوران على قدم واحدة أو أصابع القدم) فريق الباليه
25 corps de ballet	رَاقِصَة الباليه (باليرينا)
26 ballet dancer (ballerina)	الراقصة الغنائية
27-28 pas de trois	البالييرينا الأولى (الراقصة الأولى)
27 prima ballerina	الراقص الأول
28 principal male dancer (leading soloist)	الراقص الأول
29 tutu	تُورَة منشفة قصيرة
30 point shoe, a ballet shoe (ballet slipper)	حذاء الباليه (حذاء مسدق الطرف)
31 ballet skirt	تُورَة الباليه

44 director's script (producer's script)	نصّ المُخرَج (نصّ المُنتَج)
45 stage carpenter	نجّار المسرح
46 stagehand (scene shifter)	مُبدّل المناظر
47 set piece	قطعة منظر
48 mirror spot (mirror spotlight)	ضوء كاشف مزود بمرآة
49 automatic filter change (with colour filters, colour mediums, gellatines)	غيار مُرَشِّح آليّ (مع فلاتر وأوساط الألوان والهلامين)
50 hydraulic plant room	حِجْرَة الوَحْدَة الهيدروليّة
51 water tank	خِزَان مَاص
52 suction pipe	أنبوب ماص
53 hydraulic pump	مضخة هيدروليّة
54 pressure pipe	أنبوب ضغط
55 pressure tank (accumulator)	خِزَان ضَغط
56 pressure gauge (Am. gage)	مقياس الضَغط
57 level indicator (liquid level indicator)	مؤشر مستوى السائل
58 control lever	ذراع التحكم
59 operator	مُشغّل
60 rams	مكسّات المضخة
317 Discotheque	صالة الديسكو
1 bar	البار
2 barmaid	ساقية البار
3 bar stool	مقعد البار
4 shelf for bottles	رفّ الزجاجات
5 shelf for glasses	رفّ الأكواب
6 beer glass	كوب الجعة
7 wine and liqueur glasses	أكواب الخمر والمُسكِرات
8 beer tap (tap)	صنّوبُر الجعة
9 bar	بار
10 refrigerator (fridge, Am. icebox)	ثلاجة
11 bar lamps	مصابيح البار
12 indirect lighting	إضاءة غير مباشرة
13 colour (Am. color) organ (clavilux)	أرغن ملوّن
14 dance floor lighting	إضاءة أرضية المرقص
15 speaker (loudspeaker)	مكبر صوت
16 dance floor	أرضية المرقص
17-18 dancing couple	شكّائي يرقصان
17 dancer	راقصة
18 dancer	راقص
19 record player	جهاز تشغيل الأسطوانات
20 microphone	ميكروفون
21 tape recorder	مسجّل شرائط
22-23 stereo system (stereo equipment)	نظام تسجيل الصوت
22 tuner	جهاز الضبط الدقيق
23 amplifier	مضخّن الصوت
24 records (discs)	أسطوانات (أقراص)
25 disc jockey	مشغّل الأسطوانات (دي جيه)

26 mixing console (mixing desk, mixer)	كونسول المِزج
27 tambourine	رقّ، دُفّ صغير
28 mirrored wall	حائط مَكسوّ بالمرآيات
29 ceiling tiles	قرميد السقف
30 ventilators	فتحات التهوية
31 toilets (lavatories, WC)	دورات المياه
32 long drink	كأس طويلة للشرب
33 cocktail (Am. highball)	كوكتيل

318 Nightclub **المهلّي الليليّ**

1-33 nightclub (night spot)	غرفة إيداع القبعات
1 cloakroom (Am. check-room)	المهلّي الليليّ
2 cloakroom attendant (Am. checkroom attendant)	غرفة إيداع القبعات والمغاطف
3 band	فرقة موسيقيّة
4 clarinet	كلارينيت
5 clarinetist (Am. clarinetist)	عازف الكلارينيت
6 trumpet	الترناب
7 trumpeter	عازف الترومب
8 guitar	الجيتار
9 guitarist (guitar player)	عازف الجيتار
10 drums	الطبلة
11 drummer	عازف الطبلة
12 speaker (loudspeaker)	مكبر صوت
13 bar	البار
14 barmaid	ساقية البار
15 bar	بار
16 bar stool	مقعد البار
17 tape recorder	جهاز تسجيل
18 receiver	مستقبل
19 spirits	مشروبات رويّحة
20 cine projector for porno films (sex films, blue movies)	جهاز عرض سينمائي للأفلام الجنسيّة
21 box containing screen	صندوق يحتوي على شاشة
22 stage	مَسْرَح
23 stage lighting	إضاءة المَسْرَح
24 spotlight	ضوء كاشف
25 festoon lighting	إضاءة فسفونيّة
26 festoon lamp (lamp, light bulb)	مصباح فسفوني
27-32 striptease act (striptease number)	رقصة التجرد من الملابس (الستربتيز)
27 striptease artist (stripper)	راقصة الاستربتيز
28 suspender (Am. garter)	حِصَالَة
29 brassière (bra)	صُدْرِيّة التديين
30 fur stole	دثار من الفرو
31 gloves	قفازان
32 stocking	جوارب نسائيّة
33 hostess	النادلة، المضيفة

319 Bullfighting, Rodeo **مصارعة الثيران**

1-33 bullfight (corrida,	مصارعة الثيران
--------------------------	----------------

corrida de toros)	مصارعة ثيران زائفة
1 mock bullfight	مُتَمَرّن، مُتَدَرّب
2 novice (aspirant matador, novillero)	ثور زائف
3 mock bull (dummy bull)	مُصارَع ثيران تحت التدريب
4 novice banderillero (apprentice banderillero)	حِلبَة مُصارعة الثيران [رسم تخطيطي]
5 bullring (plaza de toros) [diagram]	المُدخَل الرئيسي
6 main entrance	مقصورات
7 boxes	مَنصّات
8 stands	حِلبَة
9 arena (ring)	مدخل مُصارَع الثيران
10 bullfighters' entrance	باب دخول الثور إلى الحِلبَة
11 torril door	باب خروج الثيران القتيلة
12 exit gate for killed bulls	المخزّن
13 slaughterhouse	حظائر الثيران
14 bull pens (corrals)	اصطبل عرض الثيران قبل تباريحها
15 paddock	رُحاح يمتطي صهوة الحصان
16 lancer on horseback (picador)	جصان مُدرّع
17 lance (pike, pole, javelin)	دُرْع الساق
18 armoured (Am. armored) horse	قُبعة البيكادور المستديرة
19 leg armour (Am. armor)	مُصارَع الثيران
20 picador's round hat	سهام مُزيّنة
21 banderillero, a torero	بلوزة تصل إلى الخصر
22 banderillas (barbed darts)	مُصارعة الثيران
23 shirtwaist	الماتادور، مُصارَع الثيران
24 bullfight	ضفيرة، علامة مميزة للمُصارَع
25 matador (swordsman), a torero	عباءة حمراء
26 queue, a distinguishing mark of the matador	ثور المُصارعة
27 red cloak (capa)	الموتريلا [قبعة مصنوعة من كريات صغيرة من الحرير الأسود]
28 fighting bull	قَتْل الثور
29 montera [hat made of tiny black silk chenille balls]	المَتَادور في عروض خيريّة [بدون الزيّ الرسمي]
30 killing the bull (kill, estocada)	سيف
31 matador in charity performances [without professional uniform]	عباءة (الميليتا)
32 estoque (sword)	الروديو
33 muleta	ثور صغير
34 rodeo	رامي البقر
35 young bull	قُبعة راعي البقر
36 cowboy	منديل، رباط عنق
37 stetson (stetson hat)	فارس الروديو
38 scarf (necktie)	وهق حبل في طرفه
39 rodeo rider	أنشطة
40 lasso	

320 Musical Notation	الذوات الموسيقيّة
1	(1)
1-2 medieval (medieval) notes	الذوات الغروسليّة
1 plainsong notation (neumes, neums, pneumes, square notation)	الدور، أعداد من الاصول
2 mensural notation	النوتة العباسي
3-7 musical note (note)	النوتة الموسيقيّة
3 note head	رأس النوتة
4 note stem (note tail)	ذيل النوتة
5 hook	خفاف
6 stroke	شُرطة
7 dot indicating augmentation of note's value	نقطة تفيد مضاعفة قيمة النوتة
8-11 clefs	المفتاح
8 treble clef (G-clef, violin clef)	مفتاح "صول"
9 bass clef (F-clef)	مفتاح "فا" (باص)
10 alto clef (C-clef)	مفتاح "دو" (التو)
11 tenor clef	مفتاح تينور
12-19 note values	قيم النوات
12 breve (brevis, Am. double-whole note)	نوتة بسرعة مضاعفة
13 semibreve (Am. whole note)	[المستديرة] نوتة بقيمة "روند"
14 minim (Am. half note)	[البضواء] نوتة بقيمة "بلاش"
15 crotchet (Am. quarter note)	[السوداء] نوتة بقيمة "نوار"
16 quaver (Am. eighth note)	[ذات السن] نوتة بقيمة "كروش"
17 semiquaver (Am. sixteenth note)	[ثلاثيّة الأسنان] نوتة بقيمة "دوبل كروش"
18 demisemiquaver (Am. thirty-second note)	[ثلاثيّة الأسنان] نوتة بقيمة "تربل كروش"
19 hemidemiquaver (Am. sixty-fourth note)	[رباعيّة الأسنان] نوتة بقيمة "كوادريل كروش"
20-27 rests	راحة، سكّنة
20 breve rest	سكّنة موجزة
21 semibreve rest (Am. whole rest)	سكّنة بقيمة "روند" [الراحة]
22 minim rest (Am. half rest)	سكّنة بقيمة "بلاش" [نصف الراحة]
23 crotchet rest (Am. quarter rest)	سكّنة بقيمة "نوار" [زمن التنفس]
24 quaver rest (Am. eighth rest)	سكّنة بقيمة "كروش" [نصف زمن التنفس]
25 semiquaver rest (Am. sixteenth rest)	سكّنة بقيمة "دوبل كروش" [رابع زمن التنفس]
26 demisemiquaver rest (Am. thirty-second rest)	سكّنة بقيمة "تربل كروش" [للملحّة]
27 hemidemiquaver rest (Am. sixty-fourth rest)	سكّنة بقيمة "كوادريل كروش" [للموضّة]
28-42 time (time signatures, measure, Am. meter)	الميزان، دليل الميزان

30	two-two time	مِيزَان 2-2
29	two-four time	مِيزَان 4-2
31	four-eight time	مِيزَان 8-4
32	four-four time (common time)	مِيزَان 4-4 (المِيزَان العادي)
33	four-two time	مِيزَان 2-4
34	six-eight time	مِيزَان 8-6
35	six-four time	مِيزَان 4-6
36	three-eight time	مِيزَان 8-3
37	three-four time	مِيزَان 4-3
38	three-two time	مِيزَان 2-3
39	nine-eight time	مِيزَان 8-9
40	nine-four time	مِيزَان 4-9
41	five-four time	مِيزَان 4-5
42	bar (bar line, measure line)	حاجز
43-44	staff (stave)	المِيزَان
43	line of the staff	خَطّ المِيزَان
44	space	فراغ
45-49	scales	السُّلَم
45	C major scale naturals: c, d, e, f, g, a, b, c	علامات السُّلَم "دو" الكبير دو، ري، مي، فا، صول، لا، س، دو
46	A minor scale [natural] naturals: a, b, c, d, e, f, g, a	علامات السُّلَم الصغير "لا" لا، سي، دو، ري، مي، فا، صول، لا
47	A minor scale [harmonic]	سُّلَم "لا" الصغير [توافقي]
48	A minor scale [melodic]	سُّلَم "لا" الصغير [لحني]
49	chromatic scale	سُّلَم ملُون
50-54	accidentals (inflections, key signatures)	علامات تحوِيل النُغْمَة عرضياً
50-51	signs indicating the raising of a note	علامات رَفْع النُغْمَة
50	sharp (raising the note a semitone or half-step)	علامة الزيادة (رَفْع النُغْمَة نصف درجة)
51	double sharp (raising the note a tone or full-step)	علامة الزيادة مرتين (رَفْع النُغْمَة درجة كاملة)
52-53	signs indicating the lowering of a note	علامات خَفْض النُغْمَة
52	flat (lowering the note a semitone or half-step)	علامة التقيص (خَفْض النُغْمَة نصف درجة)
53	double flat (lowering the note a tone or full-step)	علامة التقيص مرتين (خَفْض النُغْمَة درجة كاملة)
54	natural	[علامة الغناء]، علامة الطبيعية
55-68	keys (major keys and the related minor keys having the same signature)	المِفَاتِيح (المِفَاتِيح الكبيرة والمِفَاتِيح الصغيرة المرتبطة بها ولها نفس الدليل)
55	C major (A minor)	"دو" كبير ("لا" صغير)
56	G major (E minor)	"صول" كبير ("مي" صغير)
57	D major (B minor)	"ري" كبير ("سي" صغير)
58	A major (F sharp minor)	"لا" كبير ("فا" زائدة صغير)

28	two-eight time	مِيزَان 8-2
29	two-four time	مِيزَان 4-2
30	two-two time	مِيزَان 2-2
31	four-eight time	مِيزَان 8-4
32	four-four time (common time)	مِيزَان 4-4 (المِيزَان العادي)
33	four-two time	مِيزَان 2-4
34	six-eight time	مِيزَان 8-6
35	six-four time	مِيزَان 4-6
36	three-eight time	مِيزَان 8-3
37	three-four time	مِيزَان 4-3
38	three-two time	مِيزَان 2-3
39	nine-eight time	مِيزَان 8-9
40	nine-four time	مِيزَان 4-9
41	five-four time	مِيزَان 4-5
42	bar (bar line, measure line)	حاجز
43-44	staff (stave)	المِيزَان
43	line of the staff	خَطّ المِيزَان
44	space	فراغ
45-49	scales	السُّلَم
45	C major scale naturals: c, d, e, f, g, a, b, c	علامات السُّلَم "دو" الكبير دو، ري، مي، فا، صول، لا، س، دو
46	A minor scale [natural] naturals: a, b, c, d, e, f, g, a	علامات السُّلَم الصغير "لا" لا، سي، دو، ري، مي، فا، صول، لا
47	A minor scale [harmonic]	سُّلَم "لا" الصغير [توافقي]
48	A minor scale [melodic]	سُّلَم "لا" الصغير [لحني]
49	chromatic scale	سُّلَم ملُون
50-54	accidentals (inflections, key signatures)	علامات تحوِيل النُغْمَة عرضياً
50-51	signs indicating the raising of a note	علامات رَفْع النُغْمَة
50	sharp (raising the note a semitone or half-step)	علامة الزيادة (رَفْع النُغْمَة نصف درجة)
51	double sharp (raising the note a tone or full-step)	علامة الزيادة مرتين (رَفْع النُغْمَة درجة كاملة)
52-53	signs indicating the lowering of a note	علامات خَفْض النُغْمَة
52	flat (lowering the note a semitone or half-step)	علامة التقيص (خَفْض النُغْمَة نصف درجة)
53	double flat (lowering the note a tone or full-step)	علامة التقيص مرتين (خَفْض النُغْمَة درجة كاملة)
54	natural	[علامة الغناء]، علامة الطبيعية
55-68	keys (major keys and the related minor keys having the same signature)	المِفَاتِيح (المِفَاتِيح الكبيرة والمِفَاتِيح الصغيرة المرتبطة بها ولها نفس الدليل)
55	C major (A minor)	"دو" كبير ("لا" صغير)
56	G major (E minor)	"صول" كبير ("مي" صغير)
57	D major (B minor)	"ري" كبير ("سي" صغير)
58	A major (F sharp minor)	"لا" كبير ("فا" زائدة صغير)

59	E major (C sharp minor)	"مي" كبير ("لا" زائدة صغير)
60	B major (G sharp minor)	"سي" كبير "صول" زائدة صغير
61	F sharp major (D sharp minor)	"فا" زائدة كبير ("ري" صغير)
62	C major (A minor)	"دو" كبير ("لا" صغير)
63	F major (D minor)	"فا" كبير ("ري" صغير)
64	B flat major (G minor)	"سي" ناقصة كبير "صول" صغير
65	E flat major (C minor)	"مي" ناقصة كبير "دو" صغير
66	A flat major (F minor)	"لا" ناقصة كبير "فا" صغير
67	D flat major (B flat minor)	"ري" ناقصة كبير "سي" ناقصة صغير
68	G flat major (E flat minor)	"صول" ناقصة كبير "مي" ناقصة صغير

20	lower mordent (mordent)	زغردة قصيرة سفلية
21	turn	التغاف
22	arpeggio	اتِّسَال مفصل
23-26	other signs in musical notation	علامات أخرى في البُثُوث الموسيقي
23	triple: corresponding groupings: duplet (couplet), quadruplet, quintuplet, sextolet (sextuplet), septolet (septuplet, septimole)	ثُثِيَة المجموعات المقابلة ثُثِيَة، رُبعِيَة، خُمسِيَة، سُدسِيَة، سَبْعِيَة
24	tie (bind)	رباط
25	pause (pause sign)	راحة، سَكْة (علامة السكّة)
27	marcato (marcato, markiert, attack, strong accent)	مُشدّد، مِثْبَر
28	presto (quick, fast)	سريع جداً
29	portato (lourer, mezzo staccato, carried)	مُحمول (نِصْف متقطع)
30	tenuto (held)	مُطوّل، مُمتدّد
31	crescendo (increasing gradually in power)	[التَّصَدُّع] (تزايد الرفع تدريجياً)
32	decrescendo (diminuendo, decreasing or diminishing gradually in power)	[التَّخَفُّف] (يُزْخَم تدريجياً)
33	legato (bound)	مربوط
34	staccato (detached)	مُتقطع
35	piano (soft)	رُخيم
36	pianissimo (very soft)	رُخيم جداً، خافت جداً
37	pianissimo piano (as soft as possible)	رُخيم للغاية
38	forte (loud)	قوي، جهير
39	fortissimo (very loud)	شديد الرفع، بمتهني الشدة
40	forte fortissimo (double fortissimo, as loud as possible)	قوي أو شديد الرفع للغاية
41	forte piano (loud and immediately soft again)	قوي ثم رُخيم ثانية فجأة
42-50	divisions of the compass	أقسام المِدى
42	subcontra octave (double contra octave)	أو كُتَاف دُبُل كوتنر
43	contra octave	أو كُتَاف كوتنر
44	great octave	أو كُتَاف كبير
45	small octave	أو كُتَاف صغير
46	one-line octave	أو كُتَاف خَط واحد
47	two-line octave	أو كُتَاف خَطَين
48	three-line octave	أو كُتَاف ثلاثة خَطوط
49	four-line octave	أو كُتَاف أربعة خَطوط
50	five-line octave	أو كُتَاف خمسة خَطوط

3	aulos, a double shawm	آلة البُثُوم الخشبية المزدوجة
4	aulos pipe	مِيزَان آلة البُثُوم
5	phorbeia (peristomion, capistrum, mouth band)	رباط الفم
6	crumhorn (crumhorn, cromorne, krummborn, krummhorn)	بُوق الكرومهورن
7	recorder (fipple flute)	مِيزَان خشبي
8	bagpipe; sim.: musette	مِيزَان القرب
9	bag	القُرْبِيَة
10	chanter (melody pipe)	مِيزَان اللحن
11	drone (drone pipe)	مِيزَان القُرْبِيَة
12	curved cornet (zink)	السِّيَاح، كورنه
13	serpent	بُوق السربنت
14	shawm (schalmeyes); larger: bombarde (bombarde, pommer)	آلة البُثُوم
15	cythara (cithara); sim. and smaller: lyre	القِيثَارَة؛ مثلها ولكن أصغر حجماً قِيثَارَة اللير
16	arm	ذراع القِيثَارَة
17	bridge	سَطَط القِيثَارَة
18	sound box (resonating chamber, resonator)	صندوق الصوت، حِجْرَة الرنين
19	plectrum, a plucking device	ريشة العازف
20	kit (pochette), a miniature violin	كُتَان صغير
21	cittern (cithern, cither, cister, citole), a plucked instrument; sim.: pandora (bandora, a bandore)	قانون إفرنجي، سِيثار؛ مثله البَنْدُور
22	sound hole	فتحة خروج الصوت
23	viol (descant viol, treble viol, a viola da gamba); larger: tenor viol, bass viol (viola da gamba, gamba), violone (double bass viol)	الكَمَان. [الفيلون] الحجم الكبير الكَمَان الأجهز/الصّادح
24	viol bow	قوس الكَمَان
25	hurdy-gurdy (vielle à roue, symphonia, armonie, organistrum)	أرغُن يدوي
26	friction wheel	عجلة الاحتكاك
27	wheel cover (wheel guard)	وقاء العجلة
28	keyboard (keys)	لُوحَة المفاتيح
29	resonating body (resonator, sound box)	صندوق الصوت
30	melody strings	أوتار الأَلحان
31	drone strings (drones, bourdons)	أوتار الدندنة
32	dulcimer	قانون، سنطير، سنطور
33	rib (resonator wall)	خِط (جدار الرنين)
34	beater for the Valasian dulcimer	أداة عزف القانون الفالسي

11 tuning peg (peg, lute pin)	ملوي الدوّنة
12 guitar	جيتار
13 string holder	مشط تثبيت الأوتار
14 string, a gut (catgut) or nylon string	وتر
15 resonating body (resonating chamber, resonator, sound box)	صندوق الصوت، جسم الرنين
16 mandolin (mandoline)	ماندولين
17 sleeve protector (cuff protector)	وقاء الكم
18 neck	عنق
19 pegdisc	قرص الملوي
20 plectrum	ريشة العازف
21 zither (plucked zither)	القانون
22 pin block (wrest pin block, wrest plank)	لوح مفاتيح ضبط الأوتار
23 tuning pin (wrest pin)	مفتاح الضبط
24 accompaniment strings (bass strings, unfretted strings, open strings)	أوتار مصاحبة
25 melody strings (fretted strings, stopped strings)	أوتار الألحان
26 semicircular projection of the resonating sound box (resonating body)	صندوق صوت نصف دائري
27 ring plectrum	ريشة عزف حلقية
28 balalaika	البالايسة
29 banjo	البانجو
30 tambourine-like body	جسم شبيه بالدف (الرق)
31 parchment membrane	رق من البرشمان
32 ocarina, a globular flute	الأكرينة
33 mouthpiece	قطعة الفم، الميسم
34 fingerhole	فتحة الأصابع
35 mouth organ (harmonica)	الهرمونيك
36 accordion; <i>sim.</i> : piano accordion, concertina, bandoneon	الأكورديون
37 bellows	مشط الأكورديون
38 bellows strap	سيز المشط
39 melody side (keyboard side, melody keys)	جانب مفاتيح الألحان
40 keyboard (keys)	لوح المفاتيح
41 treble stop (treble coupler, treble register)	آلية إيقاف السوبرانو
42 stop lever	ذراع ضبط الأنابيب في الأكورديون
43 bass side (accompaniment side, bass studs, bass press-studs, bass buttons)	جانب الباص (أزرار الباص)
44 bass stop (bass coupler, bass register)	آلية إيقاف الباص
45 tambourine	الرق
46 castanets	صنّاجات
47-78 jazz band	ألات فريق الجاز

35 hammer (stick) for the Appenzel dulcimer	مقرعة القانون الأبنزي
36 Clavichord; <i>kinds</i> : fretted or unfretted clavichord	كلافيكورد - أنواعه ذو عتب أو بدون عتب
37 clavichord mechanism	آلية عمل الكلافيكورد
38 key (key lever)	مفتاح
39 balance rail	قضيب توازن
40 guiding blade	لسان دليلي
41 guiding slot	شقّة دليلية
42 resting rail	قضيب إسناد
43 tangent	قطعة مماس
44 string	وتر
45 harpsichord (clavichord, cembalo), a wing-shaped stringed keyboard instrument; <i>sim.</i> : spinet (virginal)	الهاربسيكورد، السبنت، بيان صغير
46 upper keyboard (upper manual)	لوح المفاتيح العلوية
47 lower keyboard (lower manual)	لوح المفاتيح السفلية
48 harpsichord mechanism	آلية عمل الهاربسيكورد
49 key (key lever)	مفتاح
50 jack	عود
51 slide (register)	قطعة منزلة
52 tongue	لسان
53 quill plectrum	ريشة عاجية لنقر الوتر
54 damper	دواسة منع اهتزاز الأوتار
55 string	وتر
56 portable organ, a portable organ; <i>larger</i> : positive organ (positive)	أرغن نقالي
57 pipe (flue pipe)	مصفاة
58 bellows	مفتاح الأرغن
323 Musical Instruments II	الآلات الموسيقية (2)
1-62 orchestral instruments	آلات الأوركسترا
1-27 stringed instruments, bowed instruments	آلات وترية
1 violin	الكمان
2 neck of the violin	عنق الكمان
3 resonating body (violin body, sound box of the violin)	جسم الكمان
4 rib (side wall)	ضلع (الجدار الجانبي)
5 violin bridge	مشط الكمان
6 F-hole, a sound hole	فتحة علي شكل F
7 tailpiece	قطعة الذيل
8 chin rest	مسند ذقن العازف
9 strings (violin strings, fiddle strings): G-string, D-string, A-string, E-string	أوتار الكمان وتر "صول" وتر "ري" وتر "لا" وتر "سي"
10 mute (sordino)	مخفات
11 resin (rosin, colophony)	راتنج القلونية
12 violin bow (bow)	قوس الكمان
13 nut (frog)	صامولة
14 stick (bow stick)	عصا القوس
15 hair of the violin bow (horsehair)	شعر القوس
16 violoncello (cello), a member of the da gamba violin family	فيولونسيل (الكمان الجهير)
17 scroll	رأس الكمان المعقوف
18 tuning peg (peg)	ملوي الدوّنة
19 pegbox	صندوق الملوي
20 nut	صامولة
21 fingerboard	لوح الأصابع
22 spike (tailpin)	ملوي الذيل
23 double bass (contrabass, violone, double bass viol, <i>Am. bass</i>)	كونتر باص (الكمان الأجر)
24 belly (top, soundboard)	لوح الصوت
25 rib (side wall)	ضلع (جدار جانبي)
26 purfling (inlay)	ترصيع، تلميع
27 viola	فيولا (الكمان الأوسط)
28-38 woodwind instruments (woodwinds)	آلات نفخية خشبية
28 bassoon; <i>larger</i> : double bassoon (contrabassoon)	باسون (الزّمخر) الكبير كونتر باسون
29 tube with double reed	أنبوب ذو مرّارين
30 piccolo (small flute, piccolo flute, flauto piccolo)	بيكولو (سرناي)
31 flute (German flute), a cross flute (transverse flute, side-blown flute)	فلوت (ناي افرنجية)
32 key	مفتاح
33 fingerhole	فتحة الاصبع
34 clarinet; <i>larger</i> : bass clarinet	الكلارينيت، الأكبر حجماً الكلارينيت باص
35 key (brille)	مفتاح
36 mouthpiece	قطعة الفم (الميسم)
37 bell	طرف الكلارينيت المتسع (جرسي الشكل) أبوا
38 oboe (hautboy); <i>kinds</i> : oboe d'amore; tenor oboes: oboe da caccia, cor anglais; heckelphone (baritone oboe)	بوق تينور
39-48 brass instruments (brass)	الآلات النحاسية
39 tenor horn	بوق تينور
40 valve	صمام
41 French horn (horn, waldhorn), a valve horn	بوق فرنسي
42 bell	طرف جرسي الشكل
43 trumpet; <i>larger</i> : Bb cornet; <i>smaller</i> : cornet	ترامبيت، الأكبر كورنه سي، الأصغر كورنه
44 bass tuba (tuba, bombardon); <i>sim.</i> : helicon (pellitone), contrabass	توبا، توبا كونتر باص
tuba	توبا
45 thumb hold	ماسك الإصبع
46 trombone; <i>kinds</i> : alto trombone, tenor trombone, bass trombone	ترومبون [المتردة] أنواعه ترومبون التو، ترومبون تينور، ترومبون باص
47 trombone slide (slide)	منزلة الترومبون
48 bell	طرف جرسي الشكل
49-59 percussion instruments	آلات القرقع
49 triangle	المثث
50 cymbals	صنوج
51-59 membranophones	الآلات الغشائية
51 side drum (snare drum)	طبل مطوق، طبل جانبي صغير رأس الطبل
52 drum head (head, upper head, batter head, vellum)	رأس الطبل
53 tensioning screw	برغي شد الغشاء
54 drumstick	عصا الطبل
55 bass drum (Turkish drum)	طبل قراري
56 stick (padded stick)	عصا مطبلة
57 Kettledrum (timpano), a screw-tensioned drum; <i>sim.</i> : machine drum (mechanically tuned drum)	نقاريات
58 kettle drum skin (kettle-drum vellum)	جلد/غشاء النقاريات
59 tuning screw	برغي الضبط
60 harp, a pedal harp	هارب، هارب ذو دواسة
61 strings	أوتار
62 pedal	دواسة
324 Musical Instruments III	الآلات الموسيقية (3)
1-46 popular musical instruments (folk instruments)	الآلات الموسيقية الشائعة
1-31 stringed instruments	الآلات الوترية
1 lute; <i>larger</i> : theorbo, chitarra	العود، الأكبر حجماً ألون
2 resonating body (resonator)	جسم الرنين، صندوق الصوت
3 soundboard (belly, table)	لوح الصوت
4 string fastener (string holder)	مشط تثبيت الأوتار
5 sound hole (rose)	فتحة خروج الصوت (وردة)
6 string, a gut (catgut) string	وتر
7 neck	عنق
8 fingerboard	لوح الأصابع
9 fret	دستان، زخرفة
10 head (bent-back pegbox, swan-head pegbox, pegbox)	صندوق ملوي العود، رأس العود

instruments (dance band instruments)	آلات القَرع
47-58 percussion instruments	طاقم الطبل
47-54 drum kit (drum set, drums)	طبل قراري
47 bass drum	طبلية "توم توم" صغيرة
48 small tom-tom	طبلية "توم توم" كبيرة
49 large tom-tom	صنوج "تشارلستون"
50 high-hat cymbals (choke cymbals, Charleston cymbals, cup cymbals)	صنج
51 cymbal	حامل الصنج
52 cymbal stand (cymbal holder)	فَرْشاة سلكية
53 wire brush	آلية الدَواسة
54 pedal mechanism	طبل تقاربية، طبل الكونجا
55 conga drum (conga)	طوق شد الغشاء
56 tension hoop	تقاربية، تمبال
57 timbales	البونجيز
58 bongo drums (bongos)	القرعية، ماراكاس
59 maracas; <i>sim.</i> : shakers	الجيو
60 guiro	زَيْلوفون
61 Xylophone; <i>form.</i> : straw fiddle; <i>sim.</i> : marimbaphone (steel marimba), tubaphone	شريحة خشبية
62 wooden slab	صندوق الصوت
63 resonating chamber (sound box)	عصا قَرع الزَيْلوفون
64 beater	ترامبيت الجاز
65 jazz trumpet	صمام
66 valve	خَطاف الإصبع
67 finger hook	مِخْفَات
68 mute (sordino)	سأكسوفون
69 saxophone	طَرَف جرسى الشكل
70 bell	انحناف، انحناء
71 crook	المَيْسَم
72 mouthpiece	جيتار الجاز
73 struck guitar (jazz guitar)	تجويد لسهولة حركة الأصابع
74 hollow to facilitate fingering	الفيبرافون
75 vibraphone (<i>Am. vibra-harp</i>)	إطار معدني
76 metal frame	قطعة معدنية
77 metal bar	مرئان تضخيم صوت معدني
78 tubular metal resonator	أنبوبي الشكل
325 Musical Instruments IV	الآلات الموسيقية (4)
1 piano (pianoforte, upright piano, upright, vertical piano, spinet piano, console piano), a keyboard instrument (keyed instrument);	بيانو (بيانوفورت، بيانو قائم، بيانو رأسي)، بيانة الأشكال الأولية: بتاليون، سَلستة، بقضبان من الصلب بدلا من الأوتار

<i>smaller form:</i> cottage piano (pianino); <i>earlier forms:</i> pantaleon, celesta, with steel bars instead of strings	آلية عمل البيانو
2-18 piano action (piano mechanism)	إطار معدني
2 iron frame	مِطْرَقَة (جماعياً: آلية القَرع)
3 hammer; <i>collectively:</i> striking mechanism	لوحة المفاتيح
4-5 keyboard (piano keys)	مفتاح أبيض/عاج
4 white key (ivory key)	مفتاح أسود/ابنوس
5 black key (ebony key)	صندوق البيانو
6 piano case	أوتار (أوتار البيانو)
7 strings (piano strings)	دواسة البيانو
8-9 piano pedals	الدواسة اليمنى لرفع المِخْفَات
8 right pedal (sustaining pedal, damper pedal; <i>loosely:</i> forte pedal, loud pedal) for raising the dampers	الدواسة اليسرى لتقليل مسافة قَرع المطارق على الأوتار
9 left pedal (soft pedal; <i>loosely:</i> piano pedal) for reducing the striking distance of the hammers on the strings	الأوتار عالية الطبقة
10 treble strings	جسر الأوتار عالية الطبقة
11 treble bridge (treble belly bridge)	أوتار الباص
12 bass strings	جسر أوتار الباص
13 bass bridge (bass belly bridge)	مسمار ربط الأوتار
14 hitch pin	قضيب المطارق
15 hammer rail	دعامه، شكل
16 brace	مسمار الدَوْرَة
17 tuning pin (wrest pin, tuning peg)	لوحة مسامير الضبط
18 pin block (wrest pin block, wrest plank)	مترونوم بدول الإيقاع
19 metronome	مفتاح الضبط/الدَوْرَة
20 tuning hammer (tuning key, wrest)	إسفين الضبط/الدَوْرَة
21 tuning wedge	آلية عمل المفاتيح
22-29 key action (key mechanism)	عارضة خشبية
22 beam	ذراع رَفْع المِخْفَات
23 damper-lifting lever	رأس مِطْرَقَة مكسوة باللباد
24 felt-covered hammer head	رجل المِطْرَقَة
25 hammer shank	قضيب المِطْرَقَة
26 hammer rail	محك
27 check (back check)	ليادة المحك
28 check felt (back check felt)	ساق المحك السلكية
29 wire stem of the check (wire stem of the back check)	مرفاع المِطْرَقَة
30 sticker (hopper, hammer jack, hammer	

lever)	زر
31 button	آلية التشغيل
32 action lever	دليل
33 pilot	سلك الدليل
34 pilot wire	سلك الشريط
35 tape wire	شريط
36 tape	المِخْفَات (كتلة المِخْفَات)
37 damper (damper block)	ذراع رَفْع المِخْفَات
38 damper lifter	قضيب اسناد المِخْفَات
39 damper rest rail	بيانو أفقي/مرنح
40 grand piano (horizontal piano, grand, concert grand; <i>smaller:</i> baby grand piano, boudoir piano; <i>sim.</i> : square piano, table piano)	دواسة البيانو الأفقي
41 grand piano pedals: right pedal for raising the dampers; left pedal for softening the tone (shifting the keyboard so that only one string is struck 'una corda')	الدواسة اليمنى لرفع المِخْفَات، الدواسة اليسرى لترخيم النغمة
42 pedal bracket	كتيفة الدواستان
43 harmonium (reed organ, melodium)	هارمونيوم
44 draw stop (stop, stop knob)	مقبض ضبط أنابيب الأرغن
45 knee lever (knee swell, swell)	أداة ضبط حجم الصوت
46 pedal (bellows pedal)	دَواسة (دَواسة بمفخاخ)
47 harmonium case	صندوق آلة الهارمونيوم
48 harmonium keyboard (manual)	لوحة مفاتيح آلة الهارمونيوم
326 Musical Instruments V	الآلات الموسيقية (5)
1-52 organ (church organ)	الأرغن (أرغن الكنيسة)
1-5 front view of organ (organ case) [built according to classical principles]	منظر أمامي للأرغن [مصنوع طبقاً للمبادئ الكلاسيكية]
1-3 display pipes (face pipes)	مزامير أمامية
1 Hauptwerk	الأرغن الكبير
2 Oberwerk	الأرغن الضخم
3 pedal pipes	مزامير الدواسة
4 pedal tower	برج الدواسة
5 Rückpositiv	الريوكوبزيتيف
6-16 tracker action (mechanical action); <i>other systems:</i> pneumatic action, electric action	آلية التشغيل الميكانيكية: أنظمة أخرى تشغيل بالهواء المضغوط، تشغيل كهربائي
6 draw stop (stop, stop knob)	مقبض ضبط مزامير الأرغن
7 slider (slide)	قطعة منزلقة
8 key (key lever)	مفتاح (ذراع المفتاح)
9 sticker	مرفاع المِطْرَقَة

10 pallet	سقالة
11 wind trunk	خرطوم الهواء المضغوط
12-14 wind chest, a slider wind chest; <i>other types:</i> sliderless wind chest (unit wind chest), spring chest, kegellade chest (cone chest), diaphragm chest	صندوق الهواء المضغوط أنواع أخرى صندوق هواء مضغوط بدون منزلقة، صندوق بنايضي، صندوق مخروطي، صندوق ريفي
12 wind chest (wind chest box)	صندوق الهواء المضغوط
13 groove	أخدود
14 upper board groove	أخدود اللوح العلوي
15 upper board	اللوح العلوي
16 pipe of a particular stop	مِزْمَار له مِقْبِض ضَبْط خاص
17-35 organ pipes (pipes)	مزامير الأرغن
17-22 metal reed pipe (set of pipes: reed stop), a posauene stop	مِزْمَار معدني (مجموعة من المزامير مضطت قضبان المزامير)
17 boot	غطاء وافر
18 shallot	قفطوط
19 tongue	لسان
20 block	كتلة
21 tuning wire (tuning crook)	سلك الضبط
22 tube	مِزْمَار
23-30 open metal flue pipe, a salicional	مِزْمَار معدني مفتوح ذو مجرى هوائي
23 foot	قدم
24 flue pipe windway (flue pipe duct)	فتحة مرور الهواء بالمِزْمَار
25 mouth (cutup)	فم
26 lower lip	شفة سفلى
27 upper lip	شفة علوية
28 languid	أداة تخفيف
29 body of the pipe (pipe)	جسم المِزْمَار
30 tuning flap (tuning tongue), a tuning device	جهاز الضبط
31-33 open wooden flue pipe (open wood), principal (diapason)	مِزْمَار خشبي مفتوح ذو قناة هوائية (شوكه الدَوْرَان)
31 cap	غطاء
32 ear	وئنة
33 tuning hole (tuning slot), with slide	فتحة دَوْرَة ذات قطعة منزلقة
34 stopped flue pipe	مِزْمَار ذو قناة هوائية بعد ضبطه
35 stopper	أداة الضبط
36-52 organ console (console) of an electric action organ	كونسول أرغن كهربائي
36 music rest (music stand)	منصة
37 crescendo roller indicator	مؤشر تزايد الرفع تدريجياً
38 voltmeter	فولتامتير
39 stop tab (rocker)	ذراع مقبض الضبط

40 free combination stud (free combination knob)	مِقْبَضٌ اثْنَلَا فِي حَر
41 cancel buttons for reeds, couplers etc.	أَزْرَارُ الإلْغَاءِ الْخَاصَّةِ بِالْمَزَامِيرِ، الخ.
42 manual I, for the Rückpositiv	مِفْتَاحٌ 1 لِضَبْطِ "الرُّوكِيزِيْتِيفِ" (أَرْغُنِ الْمُرْتَلِينَ بِالْكَلْبِسَةِ)
43 manual II, for the Hauptwerk	مِفْتَاحٌ 2 لِضَبْطِ "الْهَائِبْتَوْرِكِ"
44 manual III, for the Oberwerk	مِفْتَاحٌ 3 لِضَبْطِ "الْأَوْبَرْفَرِكِ"
45 manual IV, for the Schwellwerk	مِفْتَاحٌ 4 لِضَبْطِ "الشْوَيْلْفَرِكِ"
46 thumb pistons controlling the manual stops (free or fixed combinations) and buttons for setting the combinations	صَمَاامَاتُ الإِبْهَامِ لِلتَّحْكَمِ فِي تَوَقُّفَاتِ الْمَغَاتِيحِ وَأَزَارِ ضَبْطِ الْاِثْنَلَاةِ
47 switches for current to blower and action	مِفْتَاحَاتُ تَارِ الْمِفْتَاحِ وَأَلْيَةِ التَّشْغِيلِ
48 toe piston, for the coupler	صَمَاامٌ لِصِغِ الْقَدَمِ لِأَلْيَةِ الْقَارِنَةِ
49 crescendo roller (general crescendo roller)	أَسْطُوَانَةٌ التَّصَدُّعِ
50 balanced swell pedal	دُوَاةٌ مِتَوَازِنَةٌ
51 pedal key [natural]	مِفْتَاحُ الدُّوَاةِ [طَبِيعِي]
52 pedal key [sharp or flat]	مِفْتَاحُ الدُّوَاةِ [حَادٍ أَوْ نَاقِصٍ]
53 cable (transmission cable)	كَبِيلٌ (كَبِيلُ الإِرْسَالِ)
327 Fabulous Creatures (Fabled Beings)	المَخْلُوقَاتُ الْخُرَافِيَّةُ (المَخْلُوقَاتُ الْأَسْطُورِيَّةُ)
1-61 fabulous creatures (fabulous animals), mythical creatures	المَخْلُوقَاتُ الْخُرَافِيَّةُ (المَخْلُوقَاتُ الْأَسْطُورِيَّةُ)
1 dragon	التَّنِّينُ
2 serpent's body	جِسْمُ ثَمْبَانٍ
3 claws (claw)	مُخَالِبٌ
4 bat's wing	جَنَاحُ خَفَاشٍ
5 fork-tongued mouth	فَمٌّ بِهَ لِسَانٍ مُشْتَبِعٍ
6 forked tongue	لِسَانٌ مُشْتَبِعٌ
7 unicorn [symbol of virginity]	أَحَادِي الْقُرْنِ [رَمْزٌ الْعَذْرَوِيَّةِ]
8 spirally twisted horn	قُرْنٌ مَلْفُوفٌ حَلْزُونِيًّا
9 Phoenix	العِصَاءُ
10 flames or ashes of resurrection	النِّسْبَةُ لِهَبِّ أَوْ رَمَادِ الْبَيْتِ
11 griffin (griffon, gryphon)	الْغُرْفِينُ
12 eagle's head	رَأْسُ نَسْرٍ
13 griffin's claws	مُخَالِبُ الْغُرْفِينِ
14 lion's body	جِسْمُ أَسَدٍ
15 wing	جَنَاحٌ
16 chimera (chimaera), a	الْمَكْمِيرُ

monster	رَأْسُ أَسَدٍ
17 lion's head	رَأْسُ عَشْرَةٍ
18 goat's head	جِسْمُ ثَيْنٍ
19 dragon's body	أَبُو الْهَوَلِ
20 sphinx, a symbolic figure	رَأْسُ أَدْمِي
21 human head	جِسْمُ أَسَدٍ
22 lion's body	خُورِيَّةُ الْمَاءِ،
23 mermaid (nix, nixie, water nixie, sea maid, sea maiden, naiad, water nymph, water elf, ocean nymph, sea nymph, river nymph); sim.: Nereids, Oceanids (sea divinities, sea deities, sea goddesses); male: nix (merman, seaman)	النَّارِيْدَةُ حُورِيَّةُ الْبَحْرِ، الذَّكَرُ نَكْسٌ
24 woman's trunk	جِذْعُ امْرَأَةٍ
25 fish's tail (dolphin's tail)	ذَيْلُ سَمَكَةٍ (ذَيْلُ دَوْلْفِينِ)
26 Pegasus (favourite, Am. favorite, steed of the Muses, winged horse); sim.: hippogriff	الْفَرَسُ الْمَجْتَمِعُ (بِيغاسوس)، الْهَيْبُوغْرِيفُ
27 horse's body	جِسْمُ حِصَانٍ
28 wings	جَنَاحَانِ
29 Cerberus (hellhound)	سَيْرِيْبُوسُ (الْكَلْبُ الْحَارِسُ لِجِبَابِ الْجَحِيْمِ)
30 three-headed dog's body	جِسْمُ كَلْبٍ لَهُ ثَلَاثُ رُؤُوسٍ
31 serpent's tail	ذَنْبُ ثَمْبَانٍ
32 Lernaean (Lernean) Hydra	العُدَارُ
33 nine-headed serpent's body	جِسْمُ دُوسَعِ رُؤُوسٍ تَعَابِيْنِ
34 basilisk (cockatrice)	الْبَازِيْلِيْقُ
35 cock's head	رَأْسُ دِيكٍ
36 dragon's body	جِسْمُ ثَيْنٍ
37 giant (titan)	الْمَارِدُ
38 rock	صَخْرَةٌ
39 serpent's foot	قَدَمٌ عَلَى شَكْلِ ثَمْبَانٍ
40 triton, a merman (demigod of the sea)	تَرِيْتُونٌ (أَحَدُ أَنْصَافِ آهَةِ الْبَحْرِ عِنْدَ الْإِغْرِيقِ)
41 conch shell trumpet	بُوقٌ مِنْ صَدْفِ الصَّخَّارِ
42 horse's hoof	حَافِرُ حِصَانٍ
43 fish's tail	ذَيْلُ سَمَكَةٍ
44 hippocampus	مَارِدُ الْبَحْرِ
45 horse's trunk	جِذْعُ حِصَانٍ
46 fish's tail	ذَيْلُ سَمَكَةٍ
47 sea ox, a sea monster	تُورُ النَّجْرِ
48 monster's body	جِسْمٌ وَحْشِيٌّ
49 fish's tail	ذَيْلُ سَمَكَةٍ
50 seven-headed dragon of St. John's Revelation (Revelations, Apocalypse)	ثَيْنٌ سَفَرُ الرُّؤْيَا لِلْقُدَيْسِ يُوْحَنَّا ذُو السَّبْعِ رُؤُوسِ
51 wing	جَنَاحٌ

52 centaur (hippocentaur), half man and half beast	الْقَنْطُورُ، نِصْفُ رَجُلٍ وَنِصْفُ وَحْشٍ
53 man's body with bow and arrow	جِسْمُ إِنْسَانٍ يَحْمِلُ قَوْسًا وَسَهْمًا
54 horse's body	جِسْمُ حِصَانٍ
55 harpy, a winged monster	الْخَطَافُ
56 woman's head	رَأْسُ امْرَأَةٍ
57 bird's body	جِسْمُ طَائِرٍ
58 siren, a daemon	السَّيْرَانَةُ، شَيْطَانٌ
59 woman's body	جِسْمُ امْرَأَةٍ
60 wing	جَنَاحٌ
61 bird's claw	بِرْثَنُ طَائِرٍ
328 Prehistory 1-40 prehistoric finds	مَا قَبْلَ التَّأْرِيخِ لِقِيَامَاتُ تَعُوْدِ إِلَى مَا قَبْلَ التَّأْرِيخِ
1-9 Old Stone Age (Palaeolithic, Paleolithic, period) and Mesolithic period	العَصْرُ الْحَجْرِي الْقَدِيمُ وَالْحَقِيقَةُ الْمِيزُولِيْتِيَّةُ
1 hand axe (Am. ax) (fist hatchet), a stone tool	فَأْسٌ يَدَوِيٌّ
2 head of throwing spear, made of bone	رَأْسُ رُمْحٍ مَصْنُوعٍ مِنَ الْعَظْمِ
3 bone harpoon	حَرْبُونٌ عَظْمِيٌّ
4 head	رَأْسٌ
5 harpoon thrower, made of reindeer antler	قَائِذَةٌ حَرْبُونٍ مَصْنُوعَةٌ مِنْ قَرْنِ الوَيْلِ
6 painted pebble	حَصَوَةٌ مَلَوْنَةٌ
7 head of a wild horse, a carving	رَأْسُ حِصَانٍ بَرْبِيٍّ، رَأْسٌ مَشْحُوتٌ
8 Stone Age idol, an ivory statuette	وَتْنٌ مِنَ الْعَصْرِ الْحَجْرِيِّ، تَمْتَالٌ صَغِيرٌ مِنَ الْعَاجِ
9 bison, a cave painting (rock painting) [cave art, cave painting]	رَسْمُ الْبَيْسُونِ بِدَاخِلِ أَحَدِ الْكُهُوفِ [فَنٌّ رَسْمُ الْكُهُوفِ]
10-20 New Stone Age (Neolithic period)	العَصْرُ الْحَجْرِي الْحَدِيثُ
10 amphora [corded ware]	الْأَمْفُورَةُ
11 bowl [menhir group]	قَصْعَةٌ خُرَافِيَّةٌ [مَجْمُوعَةٌ الْمَنْهِيْر]
12 collared flask [Funnel-Beaker culture]	قَارُورَةٌ ذَاتُ عُنُقٍ
13 vessel with spiral pattern [spiral design pottery]	إِنَاءٌ ذُو خَارِفٍ لَوْلِيَّةِيَّةِ الشَّكْلِ
14 bell beaker [bell beaker culture]	أَبْيَةٌ خُرَافِيَّةٌ جَرْسِيَّةِ الشَّكْلِ
15 pile dwelling (lake dwelling, lacustrine dwelling)	مَسْكُنٌ يَرْتَفِعُ عَلَى عِضَادَاتِ، مَسْكُنٌ بَحْرِيٌّ
16 dolmen (cromlech), a megalithic tomb (coll.: giant's tomb); other kinds: passage grave, gallery grave (long cist); when covered with earth: tumulus	الدَّوْلْمَنْ، قَبْرِ مِجَالِيْتِي، أَنْوَاعُهُ مَعْرِيٌّ وَدِهْلِيْزِيٌّ، إِذَا كَانَ مُعْطَى بِالْتُّرَابِ فَهُوَ جَنْثُوَةٌ

(barrow, mound)	ضَرْبٌ حَجْرِيٌّ
17 stone cist, a contracted burial	الْمَنْثُورُ نَضْبٌ حَجْرِيٌّ عَمُودِيٌّ
18 menhir (standing stone), a monolith	فَأْسٌ حَجْرِيٌّ لِلْقِتَالِ
19 boat axe (Am. ax), a stone battle axe	وَتْنٌ مِنَ الْمَصْلِصَالِ
20 clay figurine, an idol	العَصْرُ الْبَرُونْزِيُّ وَالْعَصْرُ الْحَدِيدِيُّ
21-40 Bronze Age and Iron Age; epochs: Hallstatt period, La Tène period	
21 bronze spear head	رَأْسُ رُمْحٍ بَرُونْزِيٍّ
22 hafted bronze dagger	خَنْجَرٌ بَرُونْزِيٌّ ذُو مِقْبَضٍ
23 socketed axe (Am. ax), a bronze axe with haft fastened to rings	فَأْسٌ بَرُونْزِيٌّ ذُو مِقْبَضٍ مَتَّبِعٌ إِلَى حَلَقَاتٍ
24 girdle clasp	دَلَالِيَةٌ مِدَالِيَّةٌ ذَاتُ حِزَامٍ
25 necklace (lunula)	قِلَادَةٌ، عَقْدٌ
26 gold neck ring	حَلَقَةُ النِّعْقِ الْمَصْنُوعَةٌ مِنَ الذَّهَبِ
27 violin-bow fibula (safety pin)	مَشْبِكٌ أَمَانٌ عَلَى شَكْلِ قَوْسِ الْكَمَّانِ
28 serpentine fibula; other kinds: boat fibula, arc fibula	مَشْبِكٌ سَرِبَنْتِيْنِي الشَّكْلِ، نَوْعَانِ آخَرَانِ قَارِبِيٍّ وَقَوْسِيٍّ
29 bulb-head pin, a bronze pin	دَبُوسٌ ذُو رَأْسٍ مَتَّبِعٍ
30 two-piece spiral fibula; sim.: disc (disk) fibula	مَشْبِكٌ حَلْزُونِيٌّ مِنْ قِطْعَتَيْنِ
31 hafted bronze knife	سَكِيْنٌ بَرُونْزِيٌّ ذُو مِقْبَضٍ
32 iron key	مِفْتَاحٌ مِنَ الْحَدِيدِ
33 ploughshare (Am. plowshare)	شَفْرَةُ مِحْرَاةٍ
34 sheet-bronze situla, a funerary vessel	أَبْيَةٌ مَائِيَّةٌ مِنَ الْوَأَحِ الْبَرُونْزِيَّةِ
35 pitcher [chip-carved pottery]	إِبْرِيْقٌ خَزْفِيٌّ مَزْخَرَفٌ بِالنَّشْتِ
36 miniature ritual cart (miniature ritual chariot)	عَرَبِيَّةٌ طَقُوسٌ مُصَغَّرَةٌ
37 Celtic silver coin	عَمَلَةٌ سَلْتِيَّةٌ مِنَ الْفِضَّةِ
38 face urn, a cinerary urn; other kinds: domestic urn, embossed urn	جِرَّةٌ (لِحْفِظِ رِمَادِ الْمَوْتِي) عَلَى شَكْلِ وَجْهِ، أَنْوَاعُهَا جِرَّةٌ مَنْرَلِيَّةٌ وَجِرَّةٌ ذَاتُ نَقْشٍ نَائِيٍّ
39 urn grave in stone chamber	قَبْرٌ عَلَى شَكْلِ جِرَّةٍ فِي حَبْرَةٍ حَجْرِيَّةٍ
40 urn with cylindrical neck	جِرَّةٌ ذَاتُ عُنُقٍ اسْطُوَانِيٍّ
329 Chivalry	الْفَرُوسِيَّةُ
1 knight's castle (castle)	قَلْعَةُ الْفَارْسِ (قَلْعَةٌ)
2 inner ward (inner bailey)	الْفَنَاءُ الدَّاخِلِيُّ
3 draw well	بُئْرٌ
4 keep (donjon)	بُرْجٌ مَحْصَنٌ
5 dungeon	بُرْجُ الْحِصْنِ الرَّئِيسِيِّ
6 battlements (crenellation)	سُرَّاقَاتٌ

درج المذبح
هيكل الجزء المخصص للقساوسة القائمين بالقداس

المذبح
شمعدان المذبح
صليب المذبح
غطاء (مفرش) المذبح
المقرأ
كتاب القداس
قسيس، كاهن
مساعد القسيس
مقاعد الجهة الجنوبية من المذبح
وعاء خبز القربان
عمود حجري يحمل نقشاً تذكاريًا
شمعة الفصح
شمعدان الفصح
ناقوس القداس
صليب زياحي
زينة المذبح
مصباح المقدس
نقش خلف المذبح (صورة المسيح)
السيدة العذراء، تمثال مريم العذراء
مقرز الشموع بالكثيسة
شموع نذرية
مراحل الصلب (14 صورة تمثل مراحل صلب المسيح)
صندوق جمع الصدقات أثناء القداس
حامل المطبوعات
مطبوعات (نشرات وكتيبات)
حامل الصولجان (أمام الأشفق)
كيس جمع الصدقات
إمانة للكثيسة
رجل يصلي
كتاب الصلوات

المذبح
شمعدان المذبح
صليب المذبح
غطاء (مفرش) المذبح
المقرأ
كتاب القداس
قسيس، كاهن
مساعد القسيس
مقاعد الجهة الجنوبية من المذبح
وعاء خبز القربان
عمود حجري يحمل نقشاً تذكاريًا
شمعة الفصح
شمعدان الفصح
ناقوس القداس
صليب زياحي
زينة المذبح
مصباح المقدس
نقش خلف المذبح (صورة المسيح)
السيدة العذراء، تمثال مريم العذراء
مقرز الشموع بالكثيسة
شموع نذرية
مراحل الصلب (14 صورة تمثل مراحل صلب المسيح)
صندوق جمع الصدقات أثناء القداس
حامل المطبوعات
مطبوعات (نشرات وكتيبات)
حامل الصولجان (أمام الأشفق)
كيس جمع الصدقات
إمانة للكثيسة
رجل يصلي
كتاب الصلوات

المذبح
شمعدان المذبح
صليب المذبح
غطاء (مفرش) المذبح
المقرأ
كتاب القداس
قسيس، كاهن
مساعد القسيس
مقاعد الجهة الجنوبية من المذبح
وعاء خبز القربان
عمود حجري يحمل نقشاً تذكاريًا
شمعة الفصح
شمعدان الفصح
ناقوس القداس
صليب زياحي
زينة المذبح
مصباح المقدس
نقش خلف المذبح (صورة المسيح)
السيدة العذراء، تمثال مريم العذراء
مقرز الشموع بالكثيسة
شموع نذرية
مراحل الصلب (14 صورة تمثل مراحل صلب المسيح)
صندوق جمع الصدقات أثناء القداس
حامل المطبوعات
مطبوعات (نشرات وكتيبات)
حامل الصولجان (أمام الأشفق)
كيس جمع الصدقات
إمانة للكثيسة
رجل يصلي
كتاب الصلوات

كثيسة (2)
1 Church
2 steeple
3 weathercock
4 weather vane (wind vane)
5 spire ball
6 church spire (spire)
7 church clock (tower clock)
8 belfry window
9 electrically operated

كثيسة
بُرج الكثيسة
دوارة الرياح
دليل اتجاه الرياح
كرة قمة البرج المُسدّقة
قمة مُسدّقة
ساعة الكثيسة (ساعة البرج)
كرة بُرج الجرس
جرس يُشغل كهربياً

31 altar steps
32 presbytery (choir, chancel, sacarium, sanctuary)
33 altar
34 altar candles
35 altar cross
36 altar cloth
37 lectern
38 missal (mass book)
39 priest
40 server
41 sedilia
42 tabernacle
43 stele (stela)
44 paschal candle (Easter candle)
45 paschal candlestick (Easter candlestick)
46 sanctus bell
47 processional cross
48 altar decoration (foliage, flower arrangement)
49 sanctuary lamp
50 altarpiece, a picture of Christ
51 Madonna (statue of the Virgin Mary)
52 pricket
53 votive candles
54 station of the Cross
55 offertory box
56 literature stand
57 literature (pamphlets, tracts)
58 verger (sexton, sacristan)
59 offertory bag
60 offering
61 man praying
62 prayer book

330 Church I
1-30 Protestant church
1 chancel
2 lectern
3 altar carpet
4 altar (communion table, Lord's table, holy table)
5 altar steps
6 altar cloth
7 altar candle
8 pyx (pix)
9 paten (patin, patine)
10 chalice (communion cup)
11 Bible (Holy Bible, Scriptures, Holy Scripture)
12 altar crucifix
13 altarpiece
14 church window
15 stained glass
16 wall candelabrum
17 vestry door (sacristy door)
18 pulpit steps
19 pulpit
20 antependium
21 canopy (soundboard, sounding board)
22 preacher (pastor, vicar, clergyman, rector) in his robes (vestments, canonicals)
23 pulpit balustrade
24 hymn board showing hymn numbers
25 gallery
26 verger (sexton, sacristan)
27 aisle
28 pew; collectively: pews (seating)
29 churchgoer (worshipper); collectively: congregation
30 hymn book
31-62 Roman Catholic church

غطاء البطن
سراج المارازة
غطاء الكفل
الكثيسة (1)
الكثيسة البروتستانتية
الهيكل
المقرأ
المقدس
بساط المذبح
المذبح
درج المذبح
غطاء/مفرش المذبح
شمعدان المذبح
حقّ القربان المقدّس
طبق القربان المقدّس
كأس القربان
الكتاب المقدّس
صليب المذبح (يمثل المسيح مصلوباً)
نقش خلف مذبح الكثيسة (أو فوقه)
نافذة الكثيسة
زجاج ملون
شمعدان الجدار
باب مجلس الكثيسة
درج الميثر
ميثر الوغظ
غطاء الجزء الأمامي من الميثر
ظلة (فوق شخص ذو منزلة أو مقدّس) واعط في دوائه
درايزين الميثر
لوحة التراتيل وهي توضح أعداد التراتيل
شرفة خارجية
حامل الصولجان (أمام الأشفق)
ممر بين صفّي المقاعد مقعد في الكثيسة
إلف الكثيسة (مصلّي بالكثيسة)؛ المجموعة جماعة مصليين
كتاب التراتيل
الكثيسة الكاثوليكية الرومانية

86 flanchard (flancard)
87 tournament saddle
88 rump piece (quarter piece)
330 Church I
1-30 Protestant church
1 chancel
2 lectern
3 altar carpet
4 altar (communion table, Lord's table, holy table)
5 altar steps
6 altar cloth
7 altar candle
8 pyx (pix)
9 paten (patin, patine)
10 chalice (communion cup)
11 Bible (Holy Bible, Scriptures, Holy Scripture)
12 altar crucifix
13 altarpiece
14 church window
15 stained glass
16 wall candelabrum
17 vestry door (sacristy door)
18 pulpit steps
19 pulpit
20 antependium
21 canopy (soundboard, sounding board)
22 preacher (pastor, vicar, clergyman, rector) in his robes (vestments, canonicals)
23 pulpit balustrade
24 hymn board showing hymn numbers
25 gallery
26 verger (sexton, sacristan)
27 aisle
28 pew; collectively: pews (seating)
29 churchgoer (worshipper); collectively: congregation
30 hymn book
31-62 Roman Catholic church

الجزء السفلي من سرة الدرع
قفاز واق
درع واق للمنطقة أسفل البطن
درع الفخذ
غطاء الركبة
درع الرجل
حذاء فولاذي
ثرس مستطيل
ثرس مستدير
حلية مُحدبة في الثرس
خوذة فولاذية المرزوق (خوذة عالية)
خوذة خفيفة
أنواع الزرديات والدروع
زردية (زردية سلسلية)
درع مصفّع
درع صفحاني
حفلة الاحتضان حفلة تقام عند منح شخص رتبة فارس الموالي
المرشح لرتبة الفارس
حامل الكأس
مُعني القيثارة
مباراة في المُسابقة بين الفرسان
مبارز صليبي
الداوي أحد فرسان الهيكل
غطاء مزركش لسرج الفرس حكم المبارزة
درع المُتأففة
خوذة المُتأففة
يأس حُرمة زينية من الريش أعلى الخوذة
ثرس المُتأففة
مسند الرمح
رمح المُتأففة
درع واق لليد
درع الفرس
وقاء العنق
درع رأس الفرس
غطاء مقدّم الفرس

29 tasse (tasset)
50 gauntlet
51 habergeon (haubergeon)
52 cuisse (cuish, cuissard, cuissart)
53 knee cap (knee piece, genouillère, poleyn)
54 jambau (greave)
55 solleret (sabaton, sabbaton)
56 pavis (pavise, pavais)
57 buckler (round shield)
58 boss (umbo)
59 iron hat
60 morion
61 light casque
62 types of mail and armour (Am. armor)
63 mail (chain mail, chain armour, Am. armor)
64 scale armour (Am. armor)
65 plate armour (Am. armor)
66 accolade (dubbing, knighting)
67 liege lord, a knight
68 esquire
69 cup bearer
70 minstrel (minnesinger, troubadour)
71 tournament (tourney, joust, just, tilt)
72 crusader
73 Knight Templar
74 caparison (trappings)
75 herald (marshal at tournament)
76 tilting armour (Am. armor)
77 tilting helmet (jousting helmet)
78 panache (plume of feathers)
79 tilting target (tilting shield)
80 lance rest
81 tilting lance (lance)
82 vamplate
83-88 horse armour (Am. armor)
83 neck guard (neck piece)
84 chamfron (chaffron, chafiron, chamfrain, chanfron)
85 poitrel

المارلون الجدار الفاصل بين شرفات الحصن
منصّة البرج
حارس (خفيبر)
متزلّ السيدات
نافذة ناتئة (شباك جملون بارز)
بلكون
مستودع (مخزن)
برج الزاوية
جزء الجدار بين البرجين
النسجين جزء ناتئ من الحصن
برج الزاوية
كرة في جدار الحصن
جدار داخلي
حاجز به شرفات
حاجز، ممراس
النوابة
شرفة مكوّاة
شعريّة التحصين
جسر متحرك
دعامة الجدار
مكاتب وحجرات الخدمة
برج
كثيسة صغيرة
القاعة الكبرى
الفناء الخارجي
بوابة الحصن
خندق مائي حول الحصن
طريق الاقتراب
برج المراقبة
حُصينة الحصن
خندق مائي حول الحصن
درع الفارس
بذلة الدرّع
الخوذة
الجُنخمة
مقدّم الخوذة المتحرك
لفاع الخوذة جزء متحرك في أسفلها
غطاء الرقبة
درع العنق
الكتيفية
صفحة الإبط
درع الصدر
العضاد درع للذراع أو عصاية للعضد
حلية تشير إلى فارس البلاط

7 merlon
8 tower platform
9 watchman
10 ladies' apartments (bowers)
11 dormer window (dormer)
12 balcony
13 storehouse (magazine)
14 angle tower
15 curtain wall (curtains, enclosure wall)
16 bastion
17 angle tower
18 crenel (embrasure)
19 inner wall
20 battlemented parapet
21 parapet (breastwork)
22 gatehouse
23 machicolation (machicoulis)
24 portcullis
25 drawbridge
26 buttress
27 offices and service rooms
28 turret
29 chapel
30 great hall
31 outer ward (outer bailey)
32 castle gate
33 moat (ditch)
34 approach
35 watchtower (turret)
36 palisade (pallisade, palisading)
37 moat (ditch, fosse)
38-65 knight's armour (Am. armor)
38 suit of armour (Am. armor)
39-42 helmet
39 skull
40 visor (visor)
41 beaver
42 throat picce
43 gorget
44 épaulière
45 palette (pauldron, besageur)
46 breastplate (cuirass)
47 brassard (rear brace and vambrace)
48 cubitière (coudière, couter)

تسليية وثقافة وفن / Entertainment, Culture, and Art

bell	
10 ridge cross	صليب حرف السطح
11 church roof	سطح الكنيسة
12 memorial chapel	كنيسة صغيرة تذكارية
13 vestry (sacristy), an annex (annex)	مجلس الكنيسة، حجرة للاجتماعات والصوف الكنيستية
14 memorial tablet (memorial plate, wall memorial, wall stone)	لوح تذكاري
15 side entrance	مدخل جانبي
16 church door (main door, portal)	باب الكنيسة (الباب الرئيسي)
17 churchgoer	إلف الكنيسة، مُصلي
18 graveyard wall (churchyard wall)	سور المدافن/المقابر الملحقة بالكنيسة
19 graveyard gate (churchyard gate, lichgate, lychgate)	مدخل المدافن الملحقة بالكنيسة
20 vicarage (parsonage, rectory)	مقر القس
21-41 graveyard (churchyard, God's acre, Am. burying ground)	فناء المقابر/المدافن
21 mortuary	مستودع الجثث تحفظ فيه
22 grave digger	لحين دفنها
23 grave (tomb)	قبر
24 grave mound	رابية القبر
25 cross	صليب
26 gravestone (headstone, tombstone)	شاهد القبر
27 family grave (family tomb)	مدفن عائلي
28 graveyard chapel	مصلى المقابر
29 child's grave	قبر طفل
30 urn grave	مدفن جزار حفظ رماد الموتى
31 urn	جرة (لحفظ رماد الموتى)
32 soldier's grave	قبر جندي
33-41 funeral (burial)	الجنائز (الدفن)
33 mourners	المتحزون
34 grave	قبر
35 coffin (Am. casket)	كفن
36 spade	جاروف الخفر
37 clergyman	كاهن، رجل الدين
38 the bereaved	أهل الميت
39 widow's veil, a mourning veil	برقع الأرملة
40 pallbearers	حاملو بساط الرحمة
41 bier	نخش، تابوت
42-50 procession (religious procession)	موكب الجنائز
42 processional crucifix	صليب الجنائز يُصنر المسيح مصلوباً
43 cross bearer (crucifer)	حامل الصليب
44 processional banner, a church banner	راية الموكب الجنائزي
45 acolyte	مساعد الكاهن

46 canopy bearer	حامل الظلة
47 priest	القس
48 monstrance with the Blessed Sacrament (consecrated Host)	وعاء القرّبان المقدّس وبه القرّبان المقدّس
49 canopy (baldachin, baldaquin)	ظلة
50 nuns	راهبات
51 participants in the procession	مشاركون في الجنائز
52-58 monastery	الدير
52 cloister	رواق مُعَد مسقوف
53 monastery garden	حديقة الدير
54 monk, a Benedictine monk	راهب، راهب بنديكتي
55 habit (monk's habit)	رداء الراهب
56 cowl (hood)	قلنسوة الراهب
57 tonsure	الحزء الحلق من رأس الراهب
58 breviary	كتاب الصلوات اليومية
59 catacomb, an early Christian underground burial place	سرداب الموتى
60 niche (tomb recess, arcosolium)	مشكاة
61 stone slab	بلاطة حجرية
332 Church III	الكنيسة (3)
1 Christian baptism (christening)	المعمودية المسيحية
2 baptistery (baptistry)	بيت المعمودية
3 Protestant clergyman	كاهن بروتستانتي
4 robes (vestments, canonicals)	رداء الكاهن
5 bands	شرطان
6 collar	ياقة
7 child to be baptized (christened)	طفل سيتم تعميده
8 christening robe (christening dress)	رداء التعميد
9 christening shawl	شال التعميد
10 font	جرن المعمودية
11 font basin	حوض جرن المعمودية
12 baptismal water	ماء التعميد
13 godparents	الغرابان
14 church wedding (wedding ceremony, marriage ceremony)	إكليل، عقد القران بالكنيسة
15-16 bridal couple	العروسان
15 bride	العروس
16 bridegroom (groom)	العريس
17 ring (wedding ring)	خاتم الزواج
18 bride's bouquet (bridal bouquet)	باقة ورد العروس
19 bridal wreath	تاج العروس
20 veil (bridal veil)	طرحة العروس
21 [myrtle] buttonhole	عزوة [الوضغ زهرة الأس]
22 clergyman	الكاهن
23 Witnesses [to the	شهود [الزيجة]

marriage]	
24 bridesmaid	إشيئة العروس
25 kneeler	موطئ الركوع
26 Holy Communion	العشاء الإلهي أو الرباني
27 communicants	متناولو العشاء الرباني
28 Host (wafer)	خبز القرّبان المقدّس
29 communion cup	كأس العشاء الرباني
30 rosary	سبحة
31 paternoster	الصلوة الربانية، الصيغة المكرورة (رقية)
32 Ave Maria; set of 10: decade	السلام الرباني، مجموعة من ١٠ عقد
33 crucifix	صليب يمثل المسيح مصلوباً، المصلوب الأوعية الكنسية
34-54 liturgical vessels (ecclesiastical vessels)	
34 monstrance	وعاء القرّبان المقدّس
35 Host (consecrated Host, Blessed Sacrament)	خبز القرّبان المقدّس
36 lunula (lunule)	علامة هلالية
37 rays	إشعاعات
38 censer (thurible), for offering incense (for incensing)	مبخرة لحرق البخور
39 thurible chain	سلسلة المبخرة
40 thurible cover	غطاء المبخرة
41 thurible bowl	سلطانية المبخرة
42 incense boat	قارب البخور
43 incense spoon	ملعقة البخور
44 cruet set	طاقم أوعية الماء المقدس
45 water cruet	وعاء الماء
46 wine cruet	وعاء الخمر
47 holy water basin	حوض الماء المقدس
48 ciborium containing the sacred wafers	وعاء خبز القرّبان
49 chalice	كأس خمر القرّبان
50 dish for communion wafers	طبق خبز العشاء الرباني
51 paten (patin, patine)	طبق القرّبان المقدس
52 altar bells	أجراس المذبح
53 pyx (pix)	حق القرّبان المقدس
54 aspergillum	مرشاة الماء المقدس
55-72 forms of Christian crosses	أشكال الصليب المسيحي
55 Latin cross (cross of the Passion)	الصليب اللاتيني (صليب الآلام)
56 Greek cross	الصليب اليوناني
57 Russian cross	الصليب الروسي
58 St. Peter's cross	صليب القديس بطرس
59 St. Anthony's cross (tau cross)	صليب القديس أنطونيوس (الصليب التائي)
60 St. Andrew's cross (saltire cross)	صليب القديس أندروس
61 Y-cross	صليب على شكل حرف Y
62 cross of Lorraine	صليب اللورين
63 ansate cross	صليب الأنسيت
64 patriarchal cross	الصليب البطريركي
65 cardinal's cross	الصليب الكاردينالي

66 papal cross	الصليب البابوي
67 Constantinian cross, a monogram of Christ (CHR)	الصليب القسطنطيني
68 crosslet	صليب صغير
69 cross moline	أطراف صليب روسها ثنائية متخنية
70 cross of Jerusalem	صليب أورشليم
71 cross botonnée (cross treflée)	أطراف صليب ثلاثية الرؤوس
72 fivefold cross (quintuple cross)	صليب خماسي
73 Celtic cross	الصليب السلتي
333 Art I	الفن (I)
1-18 Egyptian art	الفن المصري
1 pyramid, a royal tomb	هرم، قبر ملكي
2 king's chamber	حجرة الملك
3 queen's chamber	حجرة الملكة
4 air passage	ممر الهواء
5 coffin chamber	حجرة التابوت
6 pyramid site	موقع الهرم
7 funerary temple	معبد جنازي
8 valley temple	معبد الوادي
9 pylon, a monumental gateway	بوابة الهيكل الفرعوني
10 obelisks	مسلتان
11 Egyptian sphinx	أبو الهول المصري
12 winged sun disc (sun disk)	قرص الشمس المجنح
13 lotus column	عمود لوتس الزخارف
14 knob-leaf capital (bud-shaped capital)	تاج عمود على شكل برعم
15 papyrus column	عمود بردي الزخارف
16 bell-shaped capital	تاج عمود جرسي الشكل
17 palm column	عمود نخيلي
18 ornamented column	عمود مزين بالزخارف والرسومات
19-20 Babylonian art	الفن البابلي
19 Babylonian frieze	إفريز بابلي
20 glazed relief tile	قرميد بارز مموه بالمينا
21-28 art of the Persians	الفن الفارسي
21 tower tomb	قبر برجي
22 stepped pyramid	هرم مدرج
23 double bull column	عمود الثورين
24 projecting leaves	أوراق شجر بارزة
25 palm capital	تاج عمود نخلي
26 volute (scroll)	زخارف حلزونية (لوحه مرسومة رمزية)
27 shaft	جذع العمود
28 double bull capital	تاج عمود الثورين
29-36 art of the Assyrians	الفن الآشوري
29 Sargon's Palace, palace buildings	قصر سرجون، مباني القصر
30 city wall	سور المدينة
31 castle wall	سور الحصن
32 temple tower	برج المعبد، برج مدرج
(ziggurat), a stepped	

(terracod) tower
 33 outside staircase درج خارجي
 34 main portal البوابة الرئيسية
 35 portal relief النقوش البارزة بالبوابة
 36 portal figure نقش بارز بالبوابة
 37 art of Asia Minor فن آسيا الصغرى
 38 rock tomb مقبرة صخرية

334 Art II
1-48 Greek art
1-7 the Acropolis
 1 the Parthenon, a Doric temple بارثنون، معبد دوري
 2 peristyle رواق مُعمد
 3 pediment جبهة، تاج البناء
 4 crepidoma (stereobate) قاعدة المبنى
 5 statue تمثال
 6 temple wall سور المعبد
 7 propylaea مداخل المعبد
 8 Doric column عمود دوري
 9 Ionic column عمود أيوني
 10 Corinthian column عمود كورنتي
11-14 cornice
 11 cyma سبيمة
 12 corona الجزء الثاني من طُف كلاسيكي
 13 mutule زخرفة اغريزية
 14 dentils الدنتيل
 15 triglyph الطرغليف
 16 metope, a frieze الميْتوب
 17 regula نقش أسفل الطرغليف
 18 epistyle (architrave) أشكفة
 19 cyma (cymatium, kymation) سبيمة
20-25 capital
 20 abacus وسادة حجرية
 21 echinus صُلب مائل
 22 hypotrachelium عقق العمود (gorgerin)
 23 volute (scroll) زخارف حلزونية (لوحَة مرسومة رمزية)
 24 volute cushion وسادة الزخارف الحلزونية
 25 acanthus أفتنة، الأكانت
 26 column shaft جذع العمود
 27 flutes (grooves, channels) أخاديد، حزوز
28-31 base
 28 [upper] torus قاعدة العمود
 29 trochilus (concave moulding, Am. moulding) قَوْصرة [علوية]
 30 [lower] torus قَوْصرة [سفلية]
 31 plinth وُطيدة، وُزرة
 32 stylobate أساس/قاعدة العمود
 33 stele (stela) نصيب، منبلة صغيرة
 34 acroterion (acroterium, acroter) اكروتير (زينة سفعية)
 35 herm (herma, hermes) تمثال عطارد ذي الغمد

36 caryatid; male: Atlas كارياتيد، مذكر أطلس
 37 Greek vase مزهريّة يونانية
38-43 Greek ornamentation (Greek decoration, Greek decorative designs)
 38 bead-and-dart moulding (Am. molding), an ornamental band شريط زخرفي مرصع باللولو الزجاجي
 39 running dog (Vitruvian scroll) زخارف حلزونية دارجة
 40 leaf ornament زخارف على شكل ورقة شجر
 41 palmette نَشْطَلَة
 42 egg and dart (egg and tongue, egg and anchor) cyma سبيمة بيضاوية وهليبية
 43 meander متعرج زخرفي
 44 Greek theatre (Am. theater) المسرح اليوناني
 45 scene مشهد
 46 proscenium خشبة المسرح
 47 orchestra الأوركسترا، الفرقة الموسيقية
 48 thymele (altar) المذبح
49-52 Etruscan art
 49 Etruscan temple معبد إتروسكي
 50 portico رواق
 51 cella حجيرة التمثال المقدس
 52 entablature المَحْمُول، الطبان
53-60 Roman art
 53 aqueduct قناة ماء عالية
 54 conduit (water channel) قناة ماء
 55 centrally-planned building (centralized building) مبنى مركزي
 56 portico رواق
 57 reglet حلقة معمارية مسطحة
 58 cupola قبة صغيرة
 59 triumphal arch قوس النصر
 60 attic العلوية
61-71 Early Christian art
 61 basilica الفن المسيحي البدئي
 62 nave بازيليك
 63 aisle صحن الكنيسة
 64 apse الجناح جزء جانبي
 65 campanile مفصول عن الصحن بصف من الأعمدة
 66 atrium محراب، حنية
 67 colonnade برج جرس الكنيسة
 68 fountain أتريوم (قناة الكنيسة)
 69 altar صف الأعمدة
 70 clerestory (clearstory) نافورة، فسقية
 71 triumphal arch المذبح
72-75 Byzantine art
 72-73 dome system منور الكنيسة
 72-73 dome system قوس النصر
 72 main dome نظام القباب
 73 semidome القبة الرئيسية
 نصف قبة

74 pendentive مثلث القبة، ركن القبة
 75 eye, a lighting aperture كوة لدخول الضوء

335 Art III
1-21 Romanesque art
1-13 Romanesque church, a cathedral
 1 nave صحن الكنيسة
 2 aisle الجناح - جزء جانبي مفصول عن الصحن بصف من الأعمدة
 3 transept جناح مَنَحَل الكنيسة
 4 choir (chancel) جزء الكنيسة المخصص للقسوس والكهنة
 5 apse حنية، محراب
 6 central tower (Am. center tower) البرج المركزي
 7 pyramidal tower roof سقف برج هرمي
 8 arcading مَقَطرات، سلسلة قناطر
 9 frieze of round arcading طُف من القناطر المستديرة
 10 blind arcade (blind arcading) قناطر مضمّنة
 11 lesene, a pilaster strip طير، كتف
 12 circular window نافذة/طاقية دائرية
 13 side entrance مَنَحَل جانبي
14-16 Romanesque ornamentation (Romanesque decoration, Romanesque decorative designs)
 14 chequered (Am. checkered) pattern نموذج الزخارف المربعة (chequered design)
 15 imbrication (imbricated design) نموذج الزخارف المترابطة
 16 chevron design نموذج الحليّات الشارية
 17 Romanesque system of vaulting الطراز الرومي في إقامة القفود
 18 transverse arch قوس مستعرض
 19 barrel vault (tunnel vault) عقد مهدي
 20 pillar ركن، عصابة
 21 cushion capital تاج عمود مسطح
22-41 Gothic art
 22 Gothic church [west-work, west end, west façade], a cathedral الفن القوطي
 23 rose window الكنيسة القوطية [الواجهة الغربية]، كاتدرائية
 24 church door (main door, portal), a recessed portal زهرية، نافذة زهرية باب الكنيسة (الباب الرئيسي)
 25 archivolt واجهة العقد
 26 tympanum قلب القوسرة
27-35 Gothic structural system
 27-28 buttresses النظام الهيكل للبناء القوطي
 27 buttress دعامة المبنى
 28 flying buttress دعامة، كتف زائرة نصف قنطرة يدع

29 pinnacle بها جدار بناء مذئب
 30 gargoye ميزاب، مزران
31-32 cross vault (groin vault)
 31 ribs (cross ribs) ضلوع (ضلوع متصالبة)
 32 boss (pendant) حلبة منحنية
 33 triforium عقد ثلاثي الأفواس
 34 clustered pier عمود مركب (compound pier)
 35 respond (engaged pillar) عمود دايع لقرس الجبهة، تاج البناء
 36 pediment قمة البرج المَرحَفة
 37 finial تخريم نباتي على الخشب، حلبة نائنة منقوشة تشبه ورق النبات
 38 crocket نافذة الزخرفة التشجيرية، نافذة زُصحية
39-41 tracery window, a lancet window
 39-40 tracery الزخرفة التشجيرية
 39 quatrefoil زخرفة رباعية الأوراق
 40 cinquefoil زخرفة خماسية الأوراق
 41 mullions عمد النافذة
42-54 Renaissance art
 42 Renaissance church فن عصر النهضة
 43 projection, a projecting part of the building كنيسة عصر النهضة تنوء، بروز
 44 drum رقية القبة
 45 lantern منور السقف
 46 pilaster (engaged pillar) طير، كتف
 47 Renaissance palace قصر عصر النهضة
 48 cornice طُف، كورنيس
 49 pedimental window نافذة الجبهة
 50 pedimental window with round gable نافذة واجهة ذات جبهة متثلّية
 51 rustication (rustic work) طراز ريفي
 52 string course مَسَاك حنليّ
 53 sarcophagus تاووس
 54 festoon (garland) فسطون (إكليل)

336 Art IV
1-8 Baroque art
 1 Baroque church الفن الباروكي
 2 bull's eye كنيسة باروكية
 3 bulbous cupola كوة
 4 dormer window قبة صغيرة بصلية الشكل نافذة نائنة
 5 curved gable جنبه مثلثة منحنية على واجهة المبنى
 6 twin columns عمدة مزدوجة
 7 cartouche إطار مزخرف
 8 scrollwork زخرفة
9-13 Rococo art
 9 Rococo wall فن الروكوكو/الفن الحوضي
 10 coving, a hollow moulding (Am. جدار روكوكو نائنة زخرفية مفرّعة

molding)	
11 framing	تأطير
12 ornamental moulding (Am. molding)	ناتئة زخرفية زينية
13 rocaille, a Rococo ornament	زخرفة روكوكية
14 table in Louis Seize style (Louis Seize table)	طاولة طراز لويس سايز
15 neoclassical building (building in neo-classical style), a gateway	مبنى على الطراز الكلاسيكي المحدث
16 Empire table (table in the Empire style)	طاولة على الطراز الإمبراطوري
17 Biedermeier sofa (sofa in the Biedermeier style)	أريكة طراز "بيدمير"
18 Art Nouveau easy chair (easy chair in the Art Nouveau style)	مقعد على طراز الفن المحدث
19-37 types of arch	أنواع القباب/العقود
19 arch	قنطرة، عقد
20 abutment	كتف قنطرة
21 impost	وسادة حجرية، مستقر القوس
22 springer, a voussoir (wedge stone)	حجر خضنر العقد
23 keystone	مفتاح العقد/القوس
24 face	وجه
25 intrados	مُحْتَضِي القوس الداخلي
26 extrados	ظاهر القوس
27 round arch	قوس مستدير، قنطرة مستديرة
28 segmental arch (basket handle)	قوس مؤنور
29 parabolic arch	قوس على شكل قطع مكافئ
30 horseshoe arch	قوس حادوي
31 lancet arch	قوس سهمي
32 trefoil arch	قوس نفلي (ثلاثي فصوص الزخارف)
33 shouldered arch	قوس كتفي
34 convex arch	قوس مُمْتَدب
35 tented arch	قوس ختيمي
36 ogee arch (keel arch)	عقد ذو قوسين متعاكسين "أوجي"
37 Tudor arch	قوس مُقْلَطَج
38-50 types of vault	أنواع العقود (الأسقف المقوسة)
38 barrel vault (tunnel vault)	عقد مهدي
39 crown	تاج البناء
40 side	الجانب
41 cloister vault (cloistered vault)	عقد مُعْتَد
42 groin vault (groined vault)	عقد متصالب أو متقاطع
43 rib vault (ribbed vault)	عقد مُصْلَع
44 stellar vault	عقد نجمي

45 net vault	عقد شبكي
46 fan vault	عقد مروحي
47 trough vault	عقد صندوقي
48 trough	صندوق
49 cavetto vault	عقد رنح دائري
50 cavetto	حلبة مقعرة

337 Art V

1-6 Chinese art	الفن الصيني
1 pagoda (multi-storey, multistory, pagoda), a temple tower	بأغود (معيد صيني ذو طوابق متعددة)
2 storey (story) roof (roof of storey)	سقف من طابق واحد
3 pailou (pailoo), a memorial archway	قنطرة تذكارية
4 archway	مدخل مُقَنْطَر
5 porcelain vase	مزهريّة من البورسلين
6 incised lacquered work	شكل فخاري مطلي بورنيش اللك

7-11 Japanese art

7 temple	الفن الياباني
8 bell tower	معبد
9 supporting structure	برج جرسي
10 Bodhisattva (bodhisattva), a Buddhist saint	هيكل الإنسان كاهن بوذي
11 torii, a gateway	مدخل ذو حلبة مُحْدَبَة
12-18 Islamic art	الفن الإسلامي
12 mosque	مسجد، جامع
13 minaret, a prayer tower	مئذنة
14 Mihrab	اتجاه القبلة، محراب المئبر
15 minbar (minibar, pulpit)	ضريح
16 mausoleum, a tomb	عقد مقوّنص
17 stalactite vault (stalactitic vault)	تاج عمود عربي
18 Arabian capital	الفن الهندي
19-28 Indian art	الإله "سيفا" الراقص
19 dancing Siva (Shiva), an Indian god	تمثال بوذا
20 statue of Buddha	أسطبة
21 stupa (Indian pagoda), a mound (dome), a Buddhist shrine	مظلة
22 umbrella	جدار/سور حجري
23 stone wall (Am. stone fence)	بوابة
24 gate	مياني المعبد
25 temple buildings	برج المعبد الهندي
26 shikara (sika, sikhara, temple tower)	بهو الأسطبة الصغيرة
27 chaitya hall	أسطبة صغيرة
28 chaitya, a small stupa	

338 Artist's Studio

1-43 studio	مُرَسِّم، ستوديو الرسام
1 studio skylight	مرسّم، منحت منور المرّسّم/المنحت

2 painter, an artist	رَسَّام
3 studio easel	مِسَد المرّسّم
4 chalk sketch, rough draft	رسم أوّلي بالطلاشير
5 crayon (piece of chalk)	قلم طباشير/ ملون
6-19 painting materials	مواد اللّوئين
6 flat brush	فرشاة مسطحة
7 camel hair brush	فرشاة من شعر الجمّل
8 round brush	فرشاة مستديرة
9 priming brush	فرشاة التحضير
10 box of paints (paint-box)	صندوق الألوان
11 tube of oil paint	أنبوب لون زيتي
12 varnish	برنيق، طلاء شفاف
13 thinner	الشر مادة الترقيق
14 palette knife	سكين الملوّنة/الموشاة
15 spatula	المُلوّق أداة مزج الألوان
16 charcoal pencil (charcoal, piece of charcoal)	قلم فحم
17 tempera (gouache)	أنبوب ألوان غواش
18 watercolour (Am. watercolor)	ألوان مائية
19 pastel crayon	قلم ألوان نَسْتَل
20 wedged stretcher (canvas stretcher)	إطار شد قماش اللوحة
21 canvas	قماش اللوحة، الخيش
22 piece of hardboard, with painting surface	قطعة من لوح صلد وعليها سطح اللّوئين
23 wooden board	لوح خشبي
24 fibreboard (Am. fiber-board)	رقاقة ليفية
25 painting table	طاولة الألوان
26 folding easel	ميسد قابل للطي
27 still life group, a motif	مجموعة طبيعية صامتة، عنصر

28 palette	ملوّنة، موشاة
29 palette dipper	مغرفة الملوّنة
30 platform	منصّة، تخت
31 lay figure (mannequin, manikin)	شاخص، مانيكان
32 nude model (model, nude)	موديل عارٍ
33 drapery	تغطاء فضفاض
34 drawing easel	ميسد الرّسّم (بدون ألوان)
35 sketch pad	لوح الرّسّم الأوّلي
36 study in oils	رسم إعدادي من ألوان الزيت
37 mosaic (tessellation)	الفسيفساء
38 mosaic figure	صورة من الفسيفساء
39 tesserae	فصوص الفسيفساء
40 fresco (mural)	فريسك
41 sgraffito	اسجرافيت
42 plaster	جص، كلس
43 cartoon	كرتون

339 Sculptor's Studio

1 sculptor	مُنَحْت، ستوديو النحات
2 proportional dividers	نحات منقسم النّسب/الأبعاد

3 calliper (caliper)	مِسْكَك
4 plaster model, a plaster cast	نموذج/موديل من الجص
5 block of stone (stone block)	كتلة من الحجر
6 modeller (Am. modeler)	المُتَال، ناسخ التماثيل
7 clay figure, a torso	شكل من الصلصال، جذع تمثال
8 roll of clay, a modelling (Am. modeling) substance	لغيفة من الصلصال، مادة قولبة
9 modelling (Am. modeling) stand	حامل القولبة
10 wooden modelling (Am. modeling) tool	أداة قولبة خشبية
11 wire modelling (Am. modeling) tool	أداة قولبة سلكية
12 beating wood	عصا الدق
13 claw chisel (toothed chisel, tooth chisel)	مِبْحَت مسنّن
14 flat chisel	مِبْحَت مسطح
15 point (punch)	سُنْكَ
16 iron-headed hammer	مطرقة برأس حديدية
17 gouge (hollow chisel)	منظفار، مِبْحَت مجوّف
18 spoon chisel	مِبْحَت مِلْعَقِي
19 wood chisel, a bevelled-edge chisel	مِبْحَت خشبي
20 V-shaped gouge	منظفار على شكل حرف V
21 mallet	مطرقة النّحات
22 framework	إطار، هيكل خشبي
23 baseboard	لوح القاعدة
24 armature support (metal rod)	ميسد الهيكل المعدني
25 armature	هيكل معدني (تسليح التماثيل)
26 wax model	نموذج/موديل شمعي
27 block of wood	كتلة من الخشب
28 wood carver (wood sculptor)	نحات الخشب
29 sack of gypsum powder (gypsum)	شوال من الجص الناعم
30 clay box	صندوق الصلصال
31 modelling (Am. modeling) clay	صلصال القولبة
32 statue, a sculpture	تمثال، شكل منحوت
33 low relief (bas-relief)	نحت نافر
34 modelling (Am. modeling) board	لوح القولبة
35 wire frame, wire netting	إطار سلكي
36 circular medallion (tondo)	رصيبة مستديرة
37 mask	قناع
38 plaque	لوحه منقوشة، أليكيه

340 Graphic Art

1-13 wood engraving (xylography), a relief printing method (a	فَنُ الجرافيك النّقش على الخشب، إحدى طرق النّقش النافر
---	--

letterpress printing method)	كلمة خشبية للحفر
1 end-grain block for wood engravings, a wooden block	لوح خشبي ثخين للنقش على الخشب ، حامل صورة ناتئة
2 wooden plank for woodcutting, a relief image carrier	نقش النسخة الإيجابية
3 positive cut	نقش اللوح الخشبي
4 plank cut	مقياس ، محفار
5 burin (graver)	مخّفار على شكل حرف U
6 U-shaped gouge	مكشّاط ، منحّات
7 scoper (scauper, scalper)	مخرقة النقاش
8 scoop	مخّفار على شكل حرف V
9 V-shaped gouge	سكين النطاق
10 contour knife	فرشاة
11 brush	مطّيع التدرّيس
12 roller (brayer)	ناتئة زخرافية زينية
13 pad (wiper)	النقش على الحساس
14-24 copperplate engraving (chalcography), an intaglio process; kinds: etching, mezzotint, aquatint, crayon engraving	أنواعه بالحفر ، تطليبي ، ملون بالقلم
14 hammer	مطرقة
15 burin	مقياس ، محفار
16 etching needle (engraver)	إبرة الحفر
17 scraper and burnisher	مكشّاط ومصفّل
18 roulette	الدحرجة
19 rocking tool (rocker)	محفار للنقش على الصخر
20 round-headed graver, a graver (burin)	مقياس ذو رأس مستديرة
21 oilstone	المسّ الزيتي حجر السن بالزيت
22 dabber (inking ball, ink ball)	كرة التحبير
23 leather roller	مطّيع جلدي
24 sieve	مُشكّل
25, 26 lithography (stone lithography), a planographic printing method	الطباعة الحجرية ، إحدى طرق الطباعة على الأسطح المستوية
25 sponge for moistening the lithographic stone	إسفنجة لترطيب حجر الطباعة الحجرية
26 lithographic crayons (greasy chalk)	أقلام الطباعة الحجرية (طباشير شحمي)
27-64 graphic art studio, a printing office (Am. printery)	موسم الفنون الترسيمية ، ستوديو فن الجرافيك
27 broadside (broadsheet, single sheet)	لوحة عريضة
28 full-colour (Am. full-color) print (colour print, chromo-lithograph)	طباعة ملوّنة بالكامل
29 platen press, a hand press	ماكينة طبع بكبسة مسطحة

30 toggle	آلية الفعل المفصلي
31 platen	كبسة مسطحة
32 type forme (Am. form)	فورمة الحروف المطبعية
33 feed mechanism	آلية التغذية
34 bar (devil's tail)	ذراع الماكينة
35 pressman	عامل ماكينة الطبع
36 copperplate press	ماكينة طباعة ذات رؤس نحاسي
37 tympan	التمبان
38 pressure regulator	مُنظّم الضغط
39 star wheel	عجلة نجمية
40 cylinder	طنبور ، أسطوانة
41 bed	فرشاة
42 felt cloth	لبادة
43 proof (pull)	بروفة الطباعة
44 copperplate engraver	عامل طباعة بالرؤس نحاسي
45 lithographer (litho artist), grinding the stone	عامل طباعة ليثوغرافية يصقل حجراً
46 grinding disc (disk)	قرص الصقل/التجليخ
47 grain (granular texture)	جبيبات
48 pulverized glass	زجاج مسحوق
49 rubber solution	سائل مطاطي
50 tongs	كلابة
51 etching bath for etching	خوض الحفر
52 zinc plate	لوح زنك
53 polished copperplate	لوح نحاسي مصقول
54 cross hatch	حزون مقطاعة
55 etching ground	أرضية الحفر
56 non-printing area	منطقة اللابطاعة
57 lithographic stone	حجر الطباعة الليثوغرافية
58 register marks	علامات تطابق (علامات تسجيل)
59 printing surface (printing image carrier)	سطح الطبع
60 lithographic press	ماكينة طبع ليثوغرافي
61 lever	ذراع الماكينة
62 scraper adjustment	مضبط المكشّطة
63 scraper	مكشّطة
64 bed	فرشاة
341 Script I	أشكال الكتابة (1)
1-20 scripts of various peoples	أشكال كتابيات شعوب مختلفة
1 ancient Egyptian hieroglyphics, a pictorial system of writing	الكتابة المصرية القديمة الهيروغليفية ، نظام كتابة بالرسوم
2 Arabic	الكتابة العربية
3 Armenian	الكتابة الأرمنية
4 Georgian	الكتابة الجورجية
5 Chinese	الكتابة الصينية
6 Japanese	الكتابة اليابانية
7 Hebrew (Hebraic)	الكتابة العبرية
8 cuneiform script	الكتابة المسمارية
9 Devanagari. script employed in Sanskrit	الكتابة السنسكريتية
10 Siamese	الكتابة السيامية

11 Tamil	الكتابة التاميلية
12 Tibetan	الكتابة التيبية
13 Sinaitic script	الكتابة السينيتيكية
14 Phoenician	الكتابة الفينيقية
15 Greek	الكتابة اليونانية
16 Roman capitals	الحروف الرومانية الاستهلالية/التاجية الحروف الإنسية
17 uncial (uncials, uncial script)	الحروف الكارولينية الصغيرة
18 Carolingian (Carlovingian, Caroline) minuscule	الحروف الكارولينية الصغيرة
19 runes	الحروف الرونية
20 Cyrillic	الحروف السيريلية
21-26 ancient writing implements	أدوات الكتابة في قديم الزمان
21 Indian steel stylus for writing on palm leaves	مرفق هندي من الصلب للكتابة على سعف النخيل
22 ancient Egyptian reed pen	قصبه كتابة استخدمها المصريون القدماء
23 writing cane	بوصة الكتابة
24 brush	فرشاة
25 Roman metal pen (stylus)	مرفق معدني روماني
26 quill (quill pen)	ريشة
27 Korean	الكتابة الكورية
342 Script II	أشكال الكتابة (2)
1-15 types (type faces)	أنواع الحروف المطبعية الحروف القوطية
1 Gothic type (German black-letter type)	فونط شوابشر (حروف سوداء الألمانية)
2 Schwabacher type (German black-letter type)	فونط فراكتور (حروف سوداء الألمانية)
3 Fraktur (German black-letter type)	فونط هيومانست
4 Humanist (Medieval)	فونط ترانزيتانال
5 Transitional	فونط ديون
6 Didone	فونط سانسيريف
7 Sanserif (Sanserif type, Grottesque)	فونط مصري
8 Egyptian	خط الآلة الكاتبة
9 typescript (typewriting)	الفونط الإنجليزي اليدوي
10 English hand (English handwriting, English writing)	الفونط الألماني اليدوي
11 German hand (German handwriting, German writing)	الكتابة اللاتينية
12 Latin script	اختزال
13 shorthand (shorthand writing, stenography)	الصوتيات (الرموز الصوتية)
14 phonetics (phonetic transcription)	طريقة برايل
15 Braille	علامات التخصيص والترقيم
16-29 punctuation marks (stops)	النقطة (علامة الوقف)
16 full stop (period, full point)	

17 colon	النقطتان
18 comma	الفاصلة
19 semicolon	الفاصلة المتقوّطة
20 question mark	علامة الاستفهام
21 exclamation mark (Am. exclamation point)	علامة التأمّر/التعجب
22 apostrophe	الفاصلة العليا
23 dash (em rule)	الشرطة
24 parentheses (round brackets)	القوسان
25 square brackets	المعقّان
26 quotation mark (double quotation marks, paired quotation marks, inverted commas)	علامة الاقتباس
27 guillemet (French quotation mark)	علامة الاقتباس الفرنسية
28 hyphen	الواصلة
29 marks of omission (ellipsis)	علامات الحذف
30-35 accents and diacritical marks (diacritics)	العلامات النطقية والصوتية
30 acute accent (acute)	نبّرة حادة
31 grave accent (grave)	نبّرة خفيفة
32 circumflex accent (circumflex)	نبّرة فوق حروف العلة تشير إلى طريقة نطقها
33 cedilla [under c]	السديلة [تحت حرف c]
34 diaeresis (Am. dieresis) [over e]	علامة توضع على الحرف الثاني من حروف العلة إشارة إلى أن يلفظ كقطع مستقل [فوق حرف c]
35 tilde [over n]	الكدة علامة توضع فوق حرف في الإسبانية
36 section mark	علامة فصل
37-70 newspaper, a national daily newspaper	الجريدة ، الصحيفة ، جريدة قومية يومية
37 newspaper page	صفحة الجريدة
38 front page	الصفحة الأولى
39 newspaper heading	اسم الجريدة
40 contents	المحتويات
41 price	السعر
42 date of publication	تاريخ طبعة الجريدة
43 place of publication	مكان الطبع
44 headline	عنوان الخبر
45 column	عمود
46 column heading	عنوان العمود
47 column rule	خط فاصل بين الأعمدة
48 leading article (leader, editorial)	المقال الرئيسي
49 reference to related article	إشارة إلى المقال المعني
50 brief news item	خبر موجز
51 political section	قسم الأخبار السياسية
52 page heading	اسم الصفحة
53 cartoon	كاريكاتير

mathematics	مُتَوَالِيَةٌ حسابية من العوامل
11 arithmetical series with the elements 2, 4, 6, 8	2, 4, 6, 8
12 geometrical series	مُتَوَالِيَةٌ هندسية
13-14 infinitesimal calculus	التفاضل والتكامل اللانهائي
13 derivative [dx, dy: the differentials; d: differential sign]	المشتق dy, dx أرقام تفاضلية: d علامة التفاضل
14 integral (integration) [x: the variable; C: constant of integration; ∫: the integral sign; dx: the differential]	تكامل (x المتغير: C ثابت التكامل: ∫: علامة التكامل: dx رقم التفاضل)
15-24 mathematical symbols	الرموز الحسابية
15 infinity	لا نهائي
16 identically equal to (the sign of identity)	مطابق لـ
17 approximately equal to	مساو تقريبا لـ
18 unequal to	لا يساوي
19 greater than	أكبر من
20 less than	أقل من
21-24 geometrical symbols	الرموز الهندسية
21 parallel (sign of parallelism)	يوازي (علامة التوازي)
22 similar to (sign of similarity)	يمثل (علامة التماثل)
23 angle symbol	رَمَزُ الزَاوِيَةِ
24 triangle symbol	رَمَزُ المثلث
346 Mathematics III (Geometry I)	الرياضيات (3) (الهندسة 1)
1-58 plane geometry, (elementary geometry, Euclidian geometry)	الهندسة المستوية
1-23 point, line, angle	نقطة، خط، زاوية
1 point [point of intersection of g ₁ and g ₂ , the angular point of g ₂]	نقطة [نقطة تقاطع g مع g ₂]
2, 3 straight line g ₂	المستقيم g ₂
4 the parallel to g ₂	المستقيم الموازي للمستقيم g ₂
5 distance between the straight lines g ₂ and g ₃	المسافة بين المستقيمين g ₂ و g ₃
6 perpendicular (g ₄) on g ₂	العمود g ₄ المتعامد على g ₂
7, 3 the arms of 8	ضلع الزاوية 8
8, 13 vertically opposite angles	زاويتان متقابلتان
8 angle	زاوية
9 right angle [90°]	زاوية قائمة [90 درجة]
10, 11, 12 reflex angle	زاوية منعكسة
10 acute angle, also the alternate angle to 8	زاوية حادة، أيضا زاوية متبادلة مع زاوية 8
11 obtuse angle	زاوية منفرجة
12 corresponding angle to 10	زاوية مطابقة لزاوية 10
10	
13, 9, 15 straight angle	زاوية مستقيمة [180]

المضروب (3: المضروب × في علامة الضرب): 2 المضروب فيه: 2 و 3 عاملا الضرب: 6 ناتج الضرب	الضرب
القسمة (6 المقسوم ÷ على (علامة القسمة): 2 المقسوم عليه: 3 خارج القسمة	القسمة
345 Mathematics II	الرياضيات (2)
1-24 arithmetic	الحساب
1-10 advanced arithmetical operations	العمليات الحسابية المتقدمة
1 raising to a power [three squared (3 ²): the power; 3: the base; 2: the exponent (index); 9: value of the power]	الرفع إلى قوة [3 تربيع (3 ²) القوة: 3 الأساس: 2 الأس: قيمة القوة]
2 evolution (extracting a root); [cube root of 8: cube root; 8: the radical; 3: the index (degree) of the root; √: radical sign; 2: value of the root]	مُزَجُّ الجذور [الجذر التكعيبي لعدد 8 جذر تكعيبي: 8 الأساس: 3 درجة الجذر: √ تكعيبي: 2 قيمة الجذر]
3 square root	جذر مربع
4-5 algebra	الجبر
4 simple equation [3, 2: the coefficients; x: the unknown quantity]	معادلة بسيطة [3, 2: معاملات x كمية غير معروفة]
5 identical equation; [a, b, c: algebraic symbols]	معادلة متطابقة: [أ، ب، ج: رموز جبرية]
6 logarithmic calculation (taking the logarithm, log); [log: logarithm sign; 3: number whose logarithm is required; 10: the base; 0: the characteristic; 4771: the mantissa; 0.4771: the logarithm]	حساب اللوغاريتم [لو رمز اللوغاريتم: 3 العدد المطلوب حساب اللوغاريتم له: 10 الأساس: صفر العدد البياني: 4771 الجزء العشري من اللوغاريتم: 0.4771 اللوغاريتم]
7 simple interest formula [P: the principal; R: rate of interest; T: time; I: interest (profit); %: percentage sign]	صيغة بسيطة لحساب الفائدة [P المبلغ الأساسي: R نسبة الفائدة: T الزمن: I الفائدة: % علامة النسبة المئوية]
8-10 rule of three (rule-of-three sum, simple proportion)	قاعدة الثلاثة (التناسب البسيط)
8 statement with the unknown quantity x	بيان بكمية غير معروفة x
9 equation (conditional equation)	معادلة (معادلة شرطية)
10 solution	الحل
11-14 higher	الرياضيات الأعلى

25 multiplication (multiplying); [3: the multiplicand; x: multiplication sign; 2: the multiplier; 2 and 3: factors; 6: the product]	عدد مادي (قيمة مادية) تتكون من القيمة الرقمية ورمز الوحدة/الوحدات
26 division (dividing); [6: the dividend; ÷: division sign; 2: the divisor; 3: the quotient]	عدد ترتيبي
345 Mathematics II	
1-24 arithmetic	
1-10 advanced arithmetical operations	
1 raising to a power [three squared (3 ²): the power; 3: the base; 2: the exponent (index); 9: value of the power]	عدد موجب [+]
2 evolution (extracting a root); [cube root of 8: cube root; 8: the radical; 3: the index (degree) of the root; √: radical sign; 2: value of the root]	عدد سالب [-]
3 square root	رموز جبرية
4-5 algebra	عدد كسري [3 عدد صحيح: 1/3 كسر]
4 simple equation [3, 2: the coefficients; x: the unknown quantity]	أعداد زوجية
5 identical equation; [a, b, c: algebraic symbols]	أعداد فردية
6 logarithmic calculation (taking the logarithm, log); [log: logarithm sign; 3: number whose logarithm is required; 10: the base; 0: the characteristic; 4771: the mantissa; 0.4771: the logarithm]	أعداد أولية
7 simple interest formula [P: the principal; R: rate of interest; T: time; I: interest (profit); %: percentage sign]	عدد مُركَّب [3 عدد حقيقي: 2√-1 عدد تخيلي]
8-10 rule of three (rule-of-three sum, simple proportion)	الكسور الإعتيادية
8 statement with the unknown quantity x	كسر حقيقي [2 بسط: 3 مقام]
9 equation (conditional equation)	كسر غير حقيقي
10 solution	كسر مُركَّب
11-14 higher	كسور مختلفة المقام [35 مقام مشترك]

54 report by newspaper's own correspondent	تقرير من مراسل الجريدة
55 news agency's sign	رَمَزُ وكالة الأنباء
56 advertisement (coll. ad)	إعلان
57 sports section	قسم أخبار الرياضة
58 press photo	صورة صحفية
59 caption	تعليق الصورة
60 sports report	تقرير الأنشطة الرياضية
61 sports news item	خبر رياضي
62 home and overseas news section	قسم الأخبار المحلية والخارجية
63 news in brief (miscellaneous news)	أخبار قصيرة
64 television programmes (Am. programs)	برامج التلفزيون
65 weather report	تقرير حالة الطقس
66 weather chart (weather map)	خريطة الطقس
67 arts section (feuilleton)	قسم الأخبار الفنية
68 death notice	إشعار وفاة
69 advertisements (classified advertising)	إعلانات مدفوعة
70 job advertisement, a vacancy (a situation offered)	إعلان وظائف شاغرة
343 Colour (Am. Color)	الألوان
1 red	أحمر
2 yellow	أصفر
3 blue	أزرق
4 pink	فَرْمُزِي
5 brown	بني
6 azure (sky blue)	سماوي
7 orange	برتقالي
8 green	أخضر
9 violet	بنفسجي
10 additive mixture of colours (Am. colors)	مزيج جمعي من الألوان
11 white	أبيض
12 subtractive mixture of colours (Am. colors)	مزيج طرحي من الألوان
13 black	أسود
14 solar spectrum (colours, Am. colors, of the rainbow)	الطيف الشمسي (ألوان قوس قزح)
15 grey (Am. gray) scale	مُدْرَجُ اللون الرمادي
16 heat colours (Am. colors)	الألوان الساخنة
344 Mathematics I	الرياضيات (1)
1-26 arithmetic	الحساب
1-22 numbers	الأعداد
1 Roman numerals	الأعداد الرومانية
2 Arabic numerals	الأعداد العربية
3 abstract number, a four-figure number [8: units; 5: tens; 6: hundreds; 9: thousands]	عدد معنوي: عدد رباعي [8: أحاد: 5 عشرات: 6 مئات: 9 آلاف]
4 concrete number (physical quantity consisting of the numerical value and the unit or unit symbol)	عدد مادي (قيمة مادية) تتكون من القيمة الرقمية ورمز الوحدة/الوحدات
5 cardinal number (cardinal)	عدد أصلي
6 ordinal number (ordinal)	عدد ترتيبي
7 positive number [with plus sign]	عدد موجب [+]
8 negative number [with minus sign]	عدد سالب [-]
9 algebraic symbols	رموز جبرية
10 mixed number [3: whole number (integer); 1/3: fraction]	عدد كسري [3 عدد صحيح: 1/3 كسر]
11 even numbers	أعداد زوجية
12 odd numbers	أعداد فردية
13 prime numbers	أعداد أولية
14 complex number [3: real part; 2√-1: imaginary part]	عدد مُركَّب [3 عدد حقيقي: 2√-1 عدد تخيلي]
15-16 vulgar fractions	الكسور الإعتيادية
15 proper fraction [2: numerator, horizontal line; 3: denominator]	كسر حقيقي [2 بسط: 3 مقام]
16 improper fraction, also the reciprocal of item 15	كسر غير حقيقي
17 compound fraction (complex fraction)	كسر مُركَّب
18 improper fraction [when cancelled down produces a whole number]	كسر غير حقيقي [عند الاختزال ينتج عدد صحيح]
19 fractions of different denominations [35: common denominator]	كسور مختلفة المقام [35 مقام مشترك]
20 proper decimal fraction with decimal point and decimal places [3: tenths; 5: hundredths; 7: thousandths]	كسر عشري حقيقي بفاصلة عشرية [3 عشرات: 5 مئات: 7 آلاف]
21, 22 recurring decimal	كسر عشري دائري
23-26 fundamental arithmetical operations	العمليات الحسابية الأساسية
23 addition (adding) [3 and 2: the terms of the sum; +: plus sign; =: equals sign; 5: the sum]	الجمع [3 و 2 رقما الجمع: + زائد (علامة الجمع): = تساوي: 5 حاصل الجمع]
24 subtraction (subtracting); [3: the minuend; -: minus sign; 2: the subtrahend; 1: the remainder (difference)]	الطرح [3 المطروح منه: ناقص (علامة الطرح): 2 المطروح: 1 الباقي]

5-6 union of the sets A and B, $A \cup B = \{a, b, c, d, e, f, g, u, v, w, x, y, z\}$
 7 complement of the set B, $B' = \{a, b, c, d, e\}$
 8 complement of the set A, $A' = \{v, w, x, y, z\}$
 9-11 mappings
 9 mapping of the set M onto the set N
 10 mapping of the set M into the set N
 11 one-to-one mapping of the set M onto the set N

349 Chemistry Laboratory I

1-38 laboratory apparatus (laboratory equipment)

1 Scheidt globe كُرَّة شمات
 2 U-tube أنبوب نوني/على شكل U
 3 separating funnel قمع قاصيل
 4 octagonal ground-glass stopper سدادة ثمانية من الزجاج الصنوبر
 5 tap (Am. faucet) حنفية، صنوبر
 6 coiled condenser مكثف حلزوني
 7 air lock ديسام هوائي
 8 wash-bottle قَبِيَّة غسل
 9 mortar هاون
 10 pestle مدقة
 11 filter funnel (Büchner funnel) قمع ترشيح
 12 filter (filter plate) مرشح
 13 retort مَعْوَجَة
 14 water bath حَمَام مائي
 15 tripod حامل ثلاثي
 16 water gauge (Am. gage) مقياس مستوى الماء
 17 insertion rings حَلَقَات الإيلاج
 18 stirrer مِزاح، أداة قلب
 19 manometer for measuring positive and negative pressures مانومتر قياس الضغط الموجب والضغط السالب
 20 mirror manometer for measuring small pressures مانومتر ذو مرآة لقياس الضغط المنخفض
 21 inlet مدخل
 22 tap (Am. faucet) حنفية، صنوبر
 23 sliding scale مقياس مدرج منزلق
 24 weighing bottle قارورة وزن
 25 analytical balance ميزان تحليلي
 26 case صندوق
 27 sliding front panel لوح أمامي منزلق
 28 three-point support حامل ثلاثي النقاط
 29 column (balance column) عمود قائم (عمود الميزان)
 30 balance beam (beam) عاتق الميزان
 31 rider bar قضيب المتقال الرأكي

[180°] [درجة]
 14 adjacent angle; here: supplementary angle to 13 زاوية مجاورة هنا الزاوية المكمل للزاوية 13
 15 complementary angle to 8 زاوية متممة للزاوية 8
 16 straight line AB المستقيم AB
 17 end A الطرف A
 18 end B الطرف B
 19 pencil of rays حزمة أشعة
 20 ray شعاع
 21 curved line خط منحنى
 22 radius of curvature نصف قطر التقوس/ الانحناء
 23 centre (Am. center) of curvature مركز التقوس/ الانحناء
 24-58 plane surfaces أسطح مستوية
 24 symmetrical figure شكل تناظري
 25 axis of symmetry محور التناظر
 26-32 plane triangles مثلثات مستوية
 26 equilateral triangle [A, B, C: the vertices; a, b, c: the sides; α (alpha), β (beta), γ (gamma): the interior angles; α' , β' , γ' : the exterior angles; S: the centre (Am. center)] مثلث متساوي الأضلاع [A, B, C: رؤوس المثلث، a, b, c: الأضلاع، α (ألفا)، β (بيتا)، γ (جاما): زوايا داخلية، α' , β' , γ' : الزوايا الخارجية؛ S: المركز (Am. center)]
 27 isosceles triangle [a, b: the sides (legs); c: the base; h: the perpendicular, an altitude] مثلث متساوي الساقين [a, b: ضلعان، c: القاعدة، h: عمود]
 28 acute-angled triangle with perpendicular bisectors of the sides مثلث حاد الزاوية ذو أعمدة تصفية للضلع
 29 circumcircle (circumscribed circle) دائرة محيطية
 30 obtuse-angled triangle with bisectors of the angles مثلث منفرج الزاوية ذو منصفات الزوايا
 31 inscribed circle دائرة داخلية
 32 right-angled triangle and the trigonometrical functions of angles [a, b: the catheti; c: the hypotenuse; γ : the right angle; $\sin \alpha$ (sine); $\cos \alpha$ (cosine); $\tan \alpha$ (tangent); $\cot \alpha$ (cotangent)] مثلث قائم الزاوية ودالات حساب المثلثات الخاصة بالزاوية: a, b ضلعا الزاوية القائمة، c الوتر، γ (جاما) الزاوية القائمة، $\sin \alpha$ (ساي)، $\cos \alpha$ (كوساين)، $\tan \alpha$ (تانجا)، $\cot \alpha$ (كوتانجا)
 33-39 quadrilaterals الأشكال الرباعية
 33-36 parallelograms المتوازيات
 33 square [d: a diagonal] مربع [d: خط قطري]
 34 rectangle مستطيل
 35 rhombus (rhomb, lozenge) معين
 36 rhomboid متوازي أضلاع
 37 trapezium معين منحرف
 38 deltoid (kite) منحرف الأضلاع

39 irregular quadrilateral شكل رباعي غير منتظم
 40 polygon مضلع
 41 regular polygon مضلع منتظم
 42 circle دائرة
 43 centre (Am. center) مركز الدائرة
 44 circumference محيط الدائرة (periphery)
 45 diameter قطر الدائرة
 46 semicircle نصف دائرة
 47 radius (r) نصف قطر
 48 tangent مماس
 49 point of contact (P) نقطة التماس
 50 secant قاطع
 51 the chord AB وتر AB
 52 segment قطعة
 53 arc قوس
 54 sector قطاع
 55 angle subtended by the arc at the centre (Am. center) (centre, Am. center, angle) الزاوية المركزية المقابلة للقرس
 56 circumferential angle زاوية محيطية
 57 ring (annulus) حلقة
 58 concentric circles دائرتان متحدتا المركز

347 Mathematics IV (Geometry II)

1 system of right-angled coordinates نظام الإحداثيات قائمة الزوايا
 2-3 axes of coordinates (coordinate axes) محاور الإحداثيات
 2 axis of abscissae (x-axis) محور الإحداثيات السيني (الأفقي)
 3 axis of ordinates (y-axis) محور الإحداثيات الصادي (الرأسي)
 4 origin of ordinates منشأ الإحداثيات
 5 quadrant [I-IV: 1st to 4th quadrant] قطاع ربعي [I-IV] من الربع الأول إلى الرابع
 6 positive direction اتجاه موجب
 7 negative direction اتجاه سالب
 8 points [P1 and P2] in the system of coordinates; x_1 and y_1 [and x_2 and y_2 respectively] their coordinates النقطتان [P1 و P2] في النظام الإحداثي؛ إحداثيات النقطتين x_1 و y_1 [و x_2 و y_2 على التوالي]
 9 values of the abscissae [x_1 and x_2] (the abscissae) قيمتا الإحداثي السيني [x_1 و x_2]
 10 values of the ordinates [y_1 and y_2] (the ordinates) قيمتا الإحداثي الصادي [y_1 و y_2]
 11-29 conic sections القطعاعات المخروطية
 11 curves in the system of coordinates الانحناءات في نظام الإحداثيات
 12 plane curves [a: the gradient (slope) of the curve; b: the ordinates] intersection of the curve; c: the root of the curve المنحنى [a: ميل المنحنى، b: تقاطع الإحداثي الصادي مع المنحنى، c: جذر المنحنى]

curve] منحنيات منقلبة
 13 inflected curves قطع مكافئ، منحنى من الدرجة الثانية
 14 parabola, a curve of the second degree فرعاً القطع المكافئ
 15 branches of the parabola رأس القطع المكافئ
 16 vertex of the parabola محور القطع المكافئ
 17 axis of the parabola منحنى من الدرجة الثالثة
 18 a curve of the third degree أعلى نقطة في المنحنى
 19 maximum of the curve أدنى نقطة في المنحنى
 20 minimum of the curve نقطة الانقلاب
 21 point of inflexion (of inflection) قطع ناقص
 22 ellipse المحور المستعرض
 23 transverse axis (major axis) محور متزاوج
 24 conjugate axis (minor axis) بورتا القطع الناقص [F2 و F1]
 25 foci of the ellipse [F1 and F2] القطع الزائد
 26 hyperbola بورتان [F2 و F1]
 27 foci [F1 and F2] رأسا القطع المكافئ [S2 و S1]
 28 vertices [S1 and S2] خطان مقاريبان [b و a]
 29 asymptotes [a and b] المحيتمات
 30-46 solids المكعبات
 30 cube مكعب
 31 square, a plane (plane surface) مربع، سطح مستوي
 32 edge حافة
 33 corner زاوية، ركن
 34 quadratic prism منشور رباعي
 35 base قاعدة
 36 parallelepiped متوازي السطوح
 37 triangular prism منشور ثلاثي الزوايا
 38 cylinder, a right cylinder أسطوانة، أسطوانة قائمة
 39 base, a circular plane قاعدة، سطح مستوي دائري
 40 curved surface سطح منحنى
 41 sphere كُرَّة
 42 ellipsoid of revolution مجسم إهليلجي
 43 cone مخروط
 44 height of the cone ارتفاع المخروط
 45 truncated cone مخروط مقطوع
 46 quadrilateral pyramid هرم رباعي الأسطح

348 Mathematics V (Sets)

1 the set A, the set {a, b, c, d, e, f, g}
 2 elements (members) of the set A عناصر المجموعة A
 3 the set B, the set {u, v, w, x, y, z}
 4 intersection of the sets A and B, $A \cap B = \{f, g, u\}$
 5 the set C, the set {p, q, r, s, t, u, v, w, x, y, z}
 6 the set D, the set {v, w, x, y, z}
 7 the set E, the set {u, v, w, x, y, z}

المجموعات (المجموعات)
 المجموعة A، المجموعة {a, b, c, d, e, f, g}
 عناصر المجموعة A
 المجموعة B، المجموعة {u, v, w, x, y, z}
 تقاطع المجموعتين A و B، $A \cap B = \{f, g, u\}$
 المجموعة B، المجموعة {v, w, x, y, z}

25 orthopinacoid (swallow tail twin crystal) [gypsum]	مُسَطَّحٌ أَمَامِي (أورتونابوكويد) [الجبس]
26 triclinic pinacoids (triclinic crystal system) [copper sulphate, Am. copper sulfate]	مُسَطَّحٌ ثَلَاثِي المَيْلِ [كبريتات النحاس]
27-33 apparatus for measuring crystals (for crystallography)	جهاز قياس البلُّورات (المُقَيَّاسِيَّةُ البُلُّورِيَّة)
27 contact goniometer	مُقَيَّاسُ زوايا التماس
28 reflecting goniometer	مُقَيَّاسُ [غَنِيومِتر] انعكاس
29 crystal	بُلُّورَةٌ
30 collimator	كوليماتور (مَوْجَهُ الأشعة)
31 observation telescope	تلسكوب الرصد
32 divided circle (graduated circle)	دائرة مَدْرَجَةٌ
33 lens for reading the angle of rotation	عدسة قراءة زاوية الدَوَّرَانِ
352 Ethnology I	عِلْمُ الأَعْرَاقِ البَشَرِيَّةِ (I)
1 totem pole	عمود الطُّوطَمِيّ
2 totem, a carved and painted pictorial or symbolic representation	طُوَظَمٌ شَيْءٌ مَنحوتٌ وملونٌ يَتَخَذُ رمزًا لأُسرةٍ أو عَشيرةٍ
3 plains Indian	هِنْدِي أَحْمَرٌ، هندي السهول الأمريكية
4 mustang, a prairie horse	المُسْتَنْقِغُ فَرَسِ السهول الأمريكية البري أو نصف البري
5 lasso, a long throwing-rope with running noose	الوَهْقُ، حَبْلٌ بآخِرِهِ أَشْوَطَةٌ لاصيد الخيول وما شابهها
6 pipe of peace	غَلِيون هندي، غَلِيون طويل
7 wigwam (teepee, teepee)	الْوَعْمُ، الثَّيْبَةُ (خَيْمَةٌ مخروطية من الجلد)
8 tent pole	عمود الخَيْمَةِ
9 smoke flap	فِتْحَةٌ خَرُوجِ الدخان
10 squaw, an Indian woman	هِنْدِيَّةٌ حَمْرَاءٌ أَمْرِيكِيَّةٌ
11 Indian chief	زعيم الهنود الحُمْرُ
12 headdress, an ornamental feather headdress	عِطَاءُ الرَّأْسِ، عِطَاءُ رَأْسٍ زِينِي مِنَ الرِّيشِ
13 war paint	طَلَاءُ الحَرْبِ
14 necklace of bear claws	عَقْدٌ مِنَ مَخَابِلِ الدَّبِيَّةِ
15 scalp (cut from enemy's head), a trophy	فِرْقَةٌ رَأْسٍ (مَنْزُوعَةٌ مِنَ رَأْسِ أَحَدِ الأعداءِ)
16 tomahawk, a battle axe (Am. ax)	التَّمْهَوِكُ فأسُ الهنودِ الحمرِ
17 leggings	الطَّمَّاقُ عِطَاءُ اللساقِ
18 moccasin, a shoe of leather and bast	المُتَسِّينُ حذاءٌ مِنَ الجِلْدِ بدونِ كعبٍ
19 canoe of the forest Indians	الكَنْوُّ قاربٌ صَغِيرٌ يستخدمه الهنود الحمر سكان الغابات
20 Maya temple, a stepped pyramid	مَعْبَدُ المايا، هرمٌ مَدْرَجٌ

5 plane of symmetry	مستوى التناظر
6 octahedron (eight-faced polyhedron) [gold]	مُجَسِّمٌ ثَمَانِي الأوجُهَ [ذهب]
7 rhombic dodecahedron [gamet]	المُجَسِّمُ المَعْيَنِيّ ذو الإثني عشر وَجْهًا [عقيق أحمر، غرينيت]
8 pentagonal dodecahedron [pyrite, iron pyrites]	المُجَسِّمُ الخماسي ذو إثني عشر وَجْهًا [إيريت الحديد]
9 pentagon (five-sided polygon)	مضلع مَخْمَسٌ
10 triakis-octahedron [diamond]	مُجَسِّمٌ ثَلَاثِي ثَمَانِي الأوجُهَ [الماس]
11 icosaedron (twenty-faced polyhedron), a regular polyhedron	المُجَسِّمُ المنتظم ذو العشرين وَجْهًا
12 icositetrahedron (twenty-four-faced polyhedron) [leucite]	مُجَسِّمٌ ذو أربعة وعشرين وَجْهًا [الوسيت]
13 hexakis-octahedron (hexoctahedron, forty-eight-faced polyhedron) [diamond]	مُجَسِّمٌ ذو ثمانية وأربعين وَجْهًا [الماس]
14 octahedron with cube [galena]	ثَمَانِي الأوجُهَ ذو مَكْعَبٍ [كبريتيد الرصاص الطبيعي]
15 hexagon (six-sided polygon)	مضلع سَدْسٌ
16 cube with octahedron [fluorite, fluorspar]	مَكْعَبٌ ذو أوجُهَ ثَمَانِيَّةِ الإضلاعِ [فلوريت، حجر فلوري]
17 octagon (eight-sided polygon)	سَطِّحٌ ثَمَانِي الأضلاعِ
18-19 tetragonal crystal system	النِّظَامُ البلُّوري الرِّبَاعِيّ
18 tetragonal dipyramid (tetragonal bipyramid)	هَرَمٌ ثَمَانِي رِبَاعِيّ الأوجُهَ
19 protoprism with protopyramid [zircon]	مُنْتَوِرٌ أَوَّلِيّ مَعَ هَرَمٍ أَوَّلِيّ [زركون]
20-22 hexagonal crystal system	النِّظَامُ البلُّوري السَّدَاسِيّ
20 protoprism with protopyramid, deutero-pyramid and basal pinacoid [apatite]	مُنْتَوِرٌ أَوَّلِيّ مَعَ هَرَمٍ أَوَّلِيّ وبنابوكويد سفلي [أباتيت]
21 hexagonal prism	مُنْتَوِرٌ سَدَاسِيّ
22 hexagonal (ditrigonal) bipyramid with rhombohedron [calcite]	مُنْتَوِرٌ ثَمَانِي سَدَاسِيّ ذو سَطِّحٍ مَعْيَنِيّ [كالسيت]
23 orthorhombic pyramid (rhombic crystal system) [sulphur, Am. sulfur]	هَرَمٌ مَعْيَنِيّ مُسْتَقِيمٌ [كبريت]
24-25 monoclinic crystal system	النِّظَامُ البلُّوري أَحَادِي المَيْلِ
24 monoclinic prism with clinopinacoid and hemipyramid (hemihedron) [gypsum]	مُنْتَوِرٌ أَحَادِي المَيْلِ ذو مسطوح مائل وسَطِّحٍ نصف هرمي [الجبس]

قارورة مخروطية الشكل	29 Erlenmeyer flask (conical flask)
قارورة ترشيح	40 filter flask
مرشح مَخْدَن	41 fluted filter
خَفِيْقَةٌ تسمح بمرور السائل من اتجاه واحد فقط	42 one-way tap
أَنْبُوبُ كلوريد الكالسيوم	43 calcium chloride tube
سدادة ذات خَفِيْقَةٌ	44 stopper with tap
أَسْطُوَانَةٌ	45 cylinder
جهاز التقطير	46 distillation apparatus (distilling apparatus)
قارورة التقطير	47 distillation flask (distilling flask)
مَكْنَفٌ	48 condenser
خَفِيْقَةٌ مَرَجَةٌ	49 return tap, a two-way tap
قارورة تقطير	50 distillation flask (distilling flask, Claisen flask)
مَجْفَفٌ، وعاء تجفيف	51 desiccator
عِطَاءٌ ذو أَنْبُوبِ مَكْمَكِ التَّهْيِيتِ	52 lid with fitted tube
خَفِيْقَةٌ	53 tap
وَلِيْجَةٌ المَجْفَفِ (مصنوعة من البورسلين)	54 desiccator insert made of porcelain
قارورة ثلاثية الأَعناقِ	55 three-necked flask
قطعة توصيل (أَنْبُوبِ ذاتِ فِرْعَتَيْنِ)	56 connecting piece (Y-tube)
قَبِيْئَةٌ ثلاثية الأَعناقِ	57 three-necked bottle
قَبِيْئَةٌ غَسِيلِ الغازِ	58 gas-washing bottle
مُولَدُ الغازِ (مُولَدُ جَب)	59 gas generator (Kipp's apparatus, Am. Kipp generator)
وعاء الفانص	60 overflow container
وعاء المواد الصلبة	61 container for the solid
وعاء الأحماض	62 acid container
أَنْبُوبُ خَرُوجِ الغازِ	63 gas outlet
البلُّورات وعِلْمُ التَّلُّبُورِ	351 Crystals, Crystallography
الأشكال الأساسية للبلُّورات وتركيبات البلُّورات	1-26 basic crystal forms and crystal combinations [structure of crystals]
النِّظَامُ البلُّوري العادي (مكعب، متساوي الأبعاد، متساوي السَّاحِرِ)	1-17 regular (cubic, tesseral, isometric) crystal system
رَبَاعِيّ الأوجُهَ [اتراهيدريت]	1 tetrahedron (four-faced polyhedron) [tetrahedrite, fahlerz, fahl ore]
سَدَاسِيّ الأوجُهَ، بُلُّورَةٌ تامة التماثل [ملح صخري]	2 hexahedron (cube, six-faced polyhedron), a holohedron [rock salt]
مركز التناظر (مركز البلُّورِ)	3 centre (Am. center) of symmetry (crystal centre)
مِحْوَرُ التناظر (مِحْوَرُ الدورانِ)	4 axis of symmetry (rotation axis)

تسلية وثقافة وفن / Entertainment, Culture, and Art	32 rider holder	حامل المُتَقَالِ الرُّاكِبِ
	33 rider	مُتَقَالٌ رَاكِبٌ لِلرُّؤْنِ الدقيق
	34 pointer	مُؤَشِّرٌ
	35 scale	مُقَيَّاسٌ مَدْرَجٌ
	36 scale pan	كَفَّةُ المِيزَانِ
	37 stop	حاجز، صند
	38 stop knob	مُقَبَّضُ الصندِ / الحاجز
350 Chemistry Laboratory II	مَعْمَلُ الكِيمِيَاءِ (2)	
1-63 laboratory apparatus (laboratory equipment)	الأجْهزة المختبرية	
1 Bunsen burner	لَهَبٌ بَنْزَنٌ، مَوْقِدٌ بَنْزَنٌ	
2 gas inlet (gas inlet pipe)	أَشْوَطَةٌ دُخُولِ الغازِ	
3 air regulator	مُنظَّمُ الهَوَاءِ	
4 Teclu burner	مَوْقِدٌ تكلو	
5 pipe union	وَصْلَةٌ الأَنْبُوبِ	
6 gas regulator	مُنظَّمُ الغازِ	
7 stem	جَذَعٌ	
8 air regulator	مُنظَّمُ الهَوَاءِ	
9 bench torch	مِصْبَاحٌ نَضْدِيّ	
10 casing	غِلَافٌ، عِلْبَةٌ	
11 oxygen inlet	مُدْخَلُ الأوكسجينِ	
12 hydrogen inlet	مُدْخَلُ الهيدروجينِ	
13 oxygen jet	مِنْفَتُ الأوكسجينِ	
14 tripod	حامل ثلاثي	
15 ring (retort ring)	حَلْقَةٌ المَعْمُوجَاتِ	
16 funnel	فَعْمٌ	
17 pipe clay triangle	مُنْطَلَقٌ أَنْبُوبِيٌّ مِنَ الصلصالِ	
18 wire gauze	شَبْكَةٌ سَلْكِيَّةٌ	
19 wire gauze with asbestos centre (Am. center)	شَبْكَةٌ سَلْكِيَّةٌ مَرَكْزًا مِنَ الأَسْبَسْتوسِ	
20 beaker	كاسٌ، مِخْبَارٌ	
21 burette (for measuring the volume of liquids)	سَحَّاحَةٌ (مُقَيَّاسُ جَمِّمِ السوائلِ)	
22 burette stand	حامل السَحَّاحَاتِ	
23 burette clamp	مِاسِكُ السَحَّاحَةِ	
24 graduated pipette	مِاصَةٌ مَدْرَجَةٌ	
25 pipette	مِاصَةٌ	
26 measuring cylinder (measuring glass)	أَسْطُوَانَةٌ قِيَاسٌ (مِخْبَارٌ قِيَاسِيّ)	
27 measuring flask	قَارُورَةٌ قِيَاسٌ	
28 volumetric flask	قَارُورَةٌ حَجْمِيَّةٌ	
29 evaporating dish (evaporating basin), made of porcelain	جَفِيْنَةٌ، طَبَقُ التَّبْخِيرِ (مِنَ البورسلينِ)	
30 tube clamp (tube clip, pinchcock)	مِاسِكُ أَنْبُوبِ	
31 clay crucible with lid	بُوتَقَةٌ صَلْصَالِيَّةٌ ذاتِ عِطَاءِ	
32 crucible tongs	مَلْطَقُ البُوتَقَةِ	
33 clamp	مِاسِكٌ	
34 test tube	أَنْبُوبُ اخْتِبَارٍ	
35 test tube rack	حامل أنابيب الاختبار	
36 flat-bottomed flask	قَارُورَةٌ مُسَطَّحةُ القَاعَةِ	
37 ground glass neck	عُنُقٌ مِنَ الرُّجَاجِ المِصْفَرِ	
38 long-necked round-bottomed flask	قَارُورَةٌ طَوِيلَةُ العُنُقِ مستديرة القاعَةِ	

5	chiton, a linen gown worn as a basic garment	عِبَاءَةٌ إِبْرِيْقِيَّةٌ (للرِّجَالِ والنِّسَاءِ)
6	himation, woollen (Am. woolen) cloak	شَمْلَةٌ
7	Roman woman	امْرَأَةٌ رُومَانِيَّةٌ
8	toupee wig (partial wig)	خَصْلَةٌ مِنْ شَعْرٍ مُسْتَعَارٍ تَعْلُو قِمَّةَ الرَّأْسِ بِطَرَشِيْلٍ
9	stola	دِيَارٌ مَكُونٌ
10	palla, a coloured (Am. colored) wrap	رُومَانِيٌّ
11	Roman	التُّنُّكُ: رِدَاءٌ رُومَانِيٌّ طَوِيْلٌ
12	tunica (tunic)	التُّوْبَةُ: ثَوْبٌ رُومَانِيٌّ فَضْفَاضٌ
13	toga	كِتَّارٌ أَرْجَوَانِيٌّ (رَمَزٌ لِلْمَعْرِيَّةِ الرَّافِعَةِ)
14	purple border (purple band)	إِمْبِرَاطُورَةٌ بِيْزَنْطِيَّةٌ
15	Byzantine empress	أَكْلِيْلٌ مُرْصَعٌ بِاللُّوْلُوِّ
16	pearl diadem	جُوَاهِرٌ
17	jewels	عِبَاءَةٌ أَرْجَوَانِيَّةٌ
18	purple cloak	تُنُّكٌ طَوِيْلٌ
19	long tunic	أَمِيْرَةٌ أَلْمَانِيَّةٌ [الْقُرْنِ الثَّالِثِ عَشْرٍ]
20	German princess [13th cent.]	تَاجٌ (أَكْلِيْلٌ)
21	crown (diadem)	شَرِيْطَةُ الدَّقَنِ
22	chimband	شُرَابِيَّةٌ
23	tassel	حَبْلُ الْعِبَاءَةِ
24	cloak cord	ثَوْبٌ نِسَائِيٌّ بِحِزَامٍ
25	girt-up gown (girt-up surcoat, girt-up tunic)	عِبَاءَةٌ، مِعْطَفٌ فَضْفَاضٌ أَلْمَانِيٌّ يَرْتَدِي زِيَّ أَسْبَانِيَا، [1575]
26	cloak	قِمَّةٌ بِحَافَةِ عَرِيْضَةٍ
27	German dressed in the Spanish style [ca. 1575]	عِبَاءَةٌ صَغِيْرَةٌ (عِبَاءَةٌ أَسْبَانِيَّةٌ، كَابٌ صَغِيْرٌ)
28	wide-brimmed cap	صُدْرَةٌ ضَيْقَةٌ مُبْطَلَةٌ
29	short cloak (Spanish cloak, short cape)	بَنْطَالٌ صَغِيْرٌ مَحْشُوٌّ
30	padded doublet (stuffed doublet, peasecod)	جُنْدِيٌّ أَلْمَانِيٌّ مُرْتَوِّقٌ [1530]
31	stuffed trunk-hose	صُدْرَةٌ ضَيْقَةٌ مَشْقُوقَةٌ بِحَيْثُ يَطَّهَرُ مَا تَحْتَهَا سِرْوَالٌ مُتَشَفِّعٌ
32	lansquenet (German mercenary soldier) [ca. 1530]	امْرَأَةٌ الْبَازِلِ [1525]
33	slashed doublet (paned doublet)	ثَوْبٌ خَارِجِيٌّ
34	Pluderhose (loose breeches, paned trunk-hose, slops)	ثَوْبٌ تَحْتَانِيٌّ (تَنْوَرَةٌ تَحْتَانِيَّةٌ)
35	woman of Basle [ca. 1525]	امْرَأَةٌ نُورْمِبِرْجِ [1500]
36	overgown (gown)	عِبَاءَةٌ لِكَتْفَيْنِ
37	undergown (petticoat)	بِرْغَنْدِيٌّ [الْقُرْنِ الْخَامِسِ عَشْرٍ]
38	woman of Nuremberg [ca. 1500]	صُدْرَةٌ ضَيْقَةٌ صَغِيْرَةٌ
39	shoulder cape	
40	Burgundian [15th cent.]	
41	short doublet	

21	mummy	مُؤَمِّيَاءٌ
22	quipa (knotted threads, knotted code of the Incas)	ذَاتُ الْعَقْدِ: أَدَاةٌ مَوْلَفَةٌ مِنْ حَبْلِ وَعَقْدٌ صَغِيْرَةٌ مُخْتَلَفَةُ الْأَلْوَانِ كَانُ أَهْلِ بِيْرُو الْحِسَابَاتِ
23	Indio (Indian of Central and South America); here: high-land Indian	هِنْدِيٌّ أَحْمَرٌ مِنْ أَمْرِيْكَا الْوَسْطَى وَالْجَنُوبِيَّةِ
24	poncho, a blanket with a head opening used as an armless cloak-like wrap	عِبَاءَةُ الْبَنْشِ
25	Indian of the tropical forest	هِنْدِيٌّ أَحْمَرٌ مِنْ سَكَّانِ الْغَابَاتِ الْإِسْتَوَانِيَّةِ
26	blowpipe	أَنْبُوبٌ نَفْحٌ
27	quiver	جَيْفَةٌ
28	dart	سَهْمٌ مَرِيْشٌ
29	dart point	سِنُّ السَّهْمِ الْمَرِيْشِ
30	shrunken head, a trophy	رَأْسٌ مَفْصُولٌ مَكْتَشِفٌ
31	bola (bolas), a throwing and entangling device	الْبُولَا: سِلَاحٌ مَكُونٌ مِنْ كُرَتَيْنِ يَرْشَقُ بِهِ الْحَيْوَانُ لِأَسْرِهِ
32	leather-covered stone or metal ball	حَجْرٌ أَوْ كُرَةٌ مَعْدِنِيَّةٌ مَعْطَى بِالْجِلْدِ
33	pile dwelling	مَسْكَنٌ مَصْنُوعٌ مِنَ الْخَوَازِيْقِ
34	duk-duk dancer, a member of a duk-duk (men's secret society)	رَاقِصٌ "الدَّالِكُ دَاكُ" (جَمْعِيَّةٌ سِرِّيَّةٌ لِلرِّجَالِ)
35	outrigger canoe (canoe with outrigger)	كَنْوٌ ذُو ذِرَاعٍ اِمْتِدَادِيٍّ
36	outrigger	ذِرَاعٌ اِمْتِدَادِيٌّ
37	Australian aborigine	أَرْوَمِيٌّ أَسْتْرَالِيٌّ أَحَدُ سَكَانِ أَسْتْرَالِيَا الْأَصْلِيِيْنَ
38	loincloth of human hair	سِتَارٌ عَوْرَةٌ (مِزْرٌ) مِنْ شَعْرٍ أَدَمِيٍّ
39	boomerang, a wooden missile	بَمْرَنْجٌ قَدِيْفَةٌ خَشَبِيَّةٌ مَعْقُوقَةٌ
40	throwing stick (spear thrower) with spears	عَصَا لِلْقَذْفِ ذَاتُ حِرَابٍ
353 Ethnology II		
1	Eskimo	فَرْدٌ مِنَ الْإِسْكِيْمُو
2	sledge dog (sled dog), a husky	كَلْبٌ جَرَّ الْمَرْجَلَةِ
3	dog sledge (dog sled)	مَرْجَلَةٌ يَجْرُهَا الْكَلْبُ
4	igloo, a dome-shaped snow hut	كُوْحٌ قِيَابِيٌّ مِنَ الْجَلِيْدِ
5	block of snow	كُتْلَةٌ مِنَ الْجَلِيْدِ
6	entrance tunnel	نَفَقٌ الدَّخُولِ
7	blubber-oil lamp	مِصْبَاحٌ يَضَاءُ بِزَيْتِ دُهْنِ الْحَوْتِ
8	wooden missile	قَدِيْفَةٌ خَشَبِيَّةٌ
9	lance	حَرْبَةٌ، رَنْجٌ
10	harpoon	حَرْبُونٌ لِمَصِيْدِ الْحَيْتَانِ
11	skin float	طَوْفٌ مِنَ الْجِلْدِ
12	kayak, a light one-man	زَوْرَقٌ الْكِيَاكُ
13	canoe	إِطَارٌ خَشَبِيٌّ أَوْ عَظْمِيٌّ مَكْتَسُوٌّ بِالْجِلْدِ
14	paddle	مِجْدَافٌ
15	reindeer harness	لِجَامٌ حَيَوَانِ الرَّئَةِ
16	reindeer	حَيَوَانِ الرَّئَةِ
17	Ostyak (Ostiak)	أَسْتِيَاكٌ
18	passenger sledge	مِرْجَلَةٌ رُكَّابٌ
19	yurt (yurta), a dwelling tent of the western and central Asiatic nomads	الْيُورْتَةُ: خَيْمَةٌ جَلْدِيَّةٌ أَوْ لِمَادِيَّةٌ مِنْ خِيَامِ بَدُو سَيْبِيْرِيَا الْمَعْقُولِيِيْنَ
20	felt covering	غَطَاءٌ مِنَ اللَّيَابِ
21	smoke outlet	فَتْحَةٌ تَهْوِيَةٌ لَخُرُوجِ الدِّخَانِ
22	Kirghiz	فَرْدٌ قَرغِزِيٌّ مِنَ الْعَرَقِ
23	sheepskin cap	الْمَعْقُولِيِيْنَ
24	shaman	أَسِيَا الْوَسْطَى
25	decorative fringe	قَيْعَةٌ مِنْ جِلْدِ الْغَنَمِ
26	frame drum	السَّحْرُ لِمُعَالَجَةِ الْمَرَضَى وَمَعْرِفَةُ الْمُخْبِيَّاتِ
27	Tibetan	شَرَابِيْبِيَّةٌ
28	flintlock with bayonets	طَلْقَةٌ إِطَارِيَّةٌ
29	prayer wheel	فَرْدٌ مِنَ التِّيْبِتِ
30	felt boot	الْمُصَوَّنَةُ: بِنْدَقِيَّةٌ ذَاتُ زَنْدٍ مَصْنُوعٌ
31	houseboat (sampan)	عَجَلَةُ الْعِبَادَةِ
32	junk	حِذَاءٌ (بُوتٌ) مِنَ اللَّيَابِ
33	mat sail	مَرْكَبٌ مَعْدٌ لِلسَّفَرِ، يَبِيْتُ فِي مَرْكَبٍ
34	rickshaw (ricksha)	الْيَنْكُ: سَفِيْنَةٌ شَرَّاعِيَّةٌ صِيْنِيَّةٌ شَرَّاعٌ
35	rickshaw coolie (cooly)	جَنْرُ كُفَّةٍ عَرَبِيَّةٌ صَغِيْرَةٌ لِشَخْصٍ وَاحِدٍ تَسْتَعْمِدُ فِي الْيَابِيَانِ
36	Chinese lantern	الْكَوْلِيُّ: حِمَالُ الْجَنْرُكُفَّةِ
37	samurai	قَانُونٌ وَرَقٌ
38	padded armour (Am. armor)	سَامُورَايٌ أَحَدُ الْحَمَارَبِيِيْنَ الْيَابِيَانِيِيْنَ مِنَ الطَّبَقَةِ الْأَرِسْطِقْرَاطِيَّةِ
39	geisha	دِرْعٌ مُبْطَلٌ
40	kimono	فَتَاةٌ الْجِيْشَا
41	obi	رِدَاءُ الْكِيْمُونُو
42	fan	الْأُوبِي: زَنْارٌ عَرِيْضٌ يَشُدُّ فَوْقَ ثَوْبِ يَابَانِيٍّ مِرْوَحَةٌ
43	coolie (cooly)	حَمَّالٌ، شِيَالٌ
44	kris (creese, crease), a Malayan dagger	الْكْرِيسِي: خَنْجَرٌ إِنْدُونِيْسِيٌّ
45	snake charmer	حَاوِي الْأَفَاعِي
46	turban	عِمَامَةٌ
47	flute	فَلُوتٌ
48	dancing snake	حَيَّةٌ رَاقِصَةٌ
354 Ethnology III		
1	camel caravan	عَاقِلَةُ الْإِبِلِ
2	riding animal	حَيَوَانٌ الرُّكُوبِ
3	pack animal	حَيَوَانٌ حَمْلُ الْأَمْتَعَةِ
4	oasis	وَاحَةٌ
5	grove of palm trees	شُبَّانٌ مِنَ النَّخِيْلِ
6	bedouin (beduin)	بَدَوِيٌّ
7	burnous	بُرْسُوسٌ
8	Masai warrior	مُحَارِبٌ مِنَ الْمَاسَايِ
9	headdress (hairdress)	غِطَاءُ الرَّأْسِ
10	shield	دِرْعٌ
11	painted ox hide	جِلْدٌ تَوْرٍ مَطْبِيٌّ
12	long-bladed spear	رَنْجٌ طَوِيْلٌ النَّصْلِ
13	negro	زَنْجِيٌّ
14	dance drum	طَلْقَةٌ رَقْصِ
15	throwing knife	سَيْكِيْنٌ لِلرَّيْثُقِ
16	wooden mask	قَنَاقٌ خَشَبِيٌّ
17	figure of an ancestor	تَمَثَالٌ لِأَخْدِ الْأَسْلَافِ
18	slit gong	طَلْقَةٌ قُرْصِيَّةٌ الشَّكْلِ مَشْقُوقَةٌ عِصَا الطَّلْقَةِ
19	drumstick	زَوْرَقٌ شَجْرِيٌّ
20	dugout, a boat hollowed out of a tree trunk	كُوْحٌ الزُّبُوْحِ
21	negro hut	اِمْرَأَةٌ زَنْجِيَّةٌ
22	negress	الشَّفِيْقِيَّةُ: حَلِيَّةٌ تَعْلَقُ فِي الشَّفَةِ بَعْدَ تَقْطَعُهَا
23	lip plug (labret)	حَجْرٌ التَّجْلِيْحِ
24	grinding stone	اِمْرَأَةٌ مِنَ الْبِهْرِيْرُو
25	Herero woman	كَابٌ مِنَ الْجِلْدِ
26	leather cap	قَرْنَةٌ
27	calabash (gourd)	كُوْحٌ عَلَى شَكْلِ خَلِيَّةِ النَّحْلِ
28	beehive-shaped hut	الْبَشْمَانُ: أَحَدُ سَكَانِ الْأَدَغَالِ
29	bushman	حَلِيَّةٌ أَدْنِيَّةٌ
30	carplug	مِيْزْرٌ (بِسْتَارِ الْعَوْرَةِ)
31	loincloth	قَبَسٌ
32	bow	نَبُوْتٌ
33	knobkerry (knobkerrie), a club with round, knobbed end	امْرَأَةٌ الْبَشْمَانِ، وَهِيَ تُشْعَلُ النَّارُ بِوِاسِطَةِ تَدْوِيْرِ عِصَا
34	bushman woman making a fire by twirling a stick	حَاجِزُ الرِّيْحِ
35	windbreak	أَحَدُ أَفْرَادِ الزُّبُوْلُو يَرْتَدِي زِي الرِّقْصِ
36	Zulu in dance costume	عِصَا الرِّقْصِ
37	dancing stick	سِيْوَالٌ
38	bangle	بُوقٌ مِنَ الْعَاجِ، يَنْفَعُ فِيهِ لِإِعْلَانِ الْحَرْبِ
39	ivory war horn	خَيْطٌ مِنَ التَّعَاوِيْدِ وَالْبَطْطَامِ
40	string of amulets and bones	قَرَمٌ
41	pigmy	مِرْجَمَارٌ سَحْرِيٌّ لَمُرْدٌ الْأَرْوَاحِ الشَّرِيْرَةِ
42	magic pipe for exorcising evil spirits	صَنْمٌ
43	fetish	اللَّبَاسُ عِيْنُ الْعِصُورِ
355 Historical Costumes		
1	Greek woman	امْرَأَةٌ إِبْرِيْقِيَّةٌ
2	peplos	بِيْكُوسٌ
3	Greek	رَجُلٌ إِبْرِيْقِيٌّ
4	petasus (Thessalonian hat)	قَبْعَةٌ الْبِتَاسُوسِ

6 mayfly (dayfly, ephemerid)	ذبابة نُوَّار، ابنة يَوْم
7 compound eye	عَيْن مَرَكَبَة
8 green grasshopper (green locust, meadow grasshopper), an orthopteron (orthopteron insect)	الجَنْدَب الأخضر
9 larva (grub)	بِرَقَة
10 adult insect, an imago	حشرة كاملة النمو
11 leaping hind leg	ساق خَلْفِيَة للقفز
12 caddis fly (spring fly, water moth), a neuropteran	ذبابة الكادس (حشرة شجرية الجَنَاح)
13 aphid (greenfly), a plant louse	إرقة المَنَة حشرة تمتص عصارة النبات
14 wingless aphid	منه عديمة الأجنحة
15 winged aphid	منه مُجَنَّحة
16-20 dipterous insects (dipterans)	الحشرات مزبوجة الجناح
16 gnat (mosquito, midge), a culicid	قرص (بعوضه صغيرة)
17 proboscis (sucking organ)	خرطوم (عضو المص)
18 bluebottle (blowfly), a fly	ذبابة اللحم الزرقاء
19 maggot (larva)	بِرَقَة قطعاء
20 chrysalis (pupa)	خادرة
21-23 Hymenoptera	الحشرات غشافية الأجنحة
21-22 ant	المُمل
21 winged female	أنثى مُجَنَّحة
22 worker	شغالة
23 bumblebee (bumblebee)	النحلة الطنّانة
24-39 beetles (Coleoptera)	الخنافس
24 stag beetle, a lamelli-corn beetle	خنفساء الخنثب
25 mandibles	فُكَّان
26 trophi	فُتَّحة تغذية
27 antenna (feeler)	قرن استشعار (مِجْسَر)
28 head	رأس
29-30 thorax	الصدر
29 thoracic shield (prothorax)	الدرع الصدري
30 scutellum	حَرْشَفَة، صفيحة قرنيّة
31 tergites	ظُهُر حَلَقِيّ
32 stigma	علامة
33 wing (hind wing)	جَنَاح (جَنَاح خلفي)
34 nervure	عِرق جَنَاح الحشرة
35 point at which the wing folds	الخِزَة الذي ينطوي عنده الجَنَاح
36 elytron (forewing)	الجناح القمدي
37 ladybird (<i>Am. lady-bug</i>), a coccinellid	الدُمسوقة
38 <i>Ergates faber</i> , a longicorn beetle (longicorn)	القرني خنفساء طويلة القرنان، خنفساء أقرن
39 dung beetle, a lamellicorn beetle	خنفساء الرُّوث

42 piked shoes (peaked shoes, copped shoes, crackowes, poulaines)	جِذَاء طويل مُسَدَّد الطرف
43 pattens (clogs)	نَعْل من الخشب
44 young nobleman [ca. 1400]	شَاب نبيل [1400]
45 short, padded doublet (short, quilted doublet, jerkin)	صَدْرَة ضيقة قصيرة مُبَطَّنة
46 dagged sleeves (petal-scalloped sleeves)	كُم واسع متدلّ
47 hose	بنطال ضيق
48 Augsburg patrician lady [ca. 1575]	سَيِّدَة نبيلة من العصر الأوغسطيني [1575]
49 puffed sleeve	كُم مُنتفخ
50 overgown (gown, open gown, sleeveless gown)	نُوب خارجي، عباءة
51 French lady [ca. 1600]	امراة فرنسيّة [1600]
52 millstone ruff (cart-wheel ruff, ruff)	طُوق رقبة دائري مكشّش
53 corseted waist (wasp waist)	خَصْر نحيل مشدود بيشد
54 gentleman [ca. 1650]	رَجُل نبيل المُخَنَّد [1650]
55 wide-brimmed felt hat (cavalier hat)	قُبْعَة لبادية عربية الحافة
56 falling collar (wide-falling collar) of linen	ياقة ساقطة من الكتّان
57 white lining	بطانة بيضاء
58 jack boots (bucket-top boots)	بُوت بواقية للرُكبة
59 lady [ca. 1650]	سَيِّدَة نبيلة المُخَنَّد [1650]
60 full puffed sleeves (puffed sleeves)	كُم مُنتفخ بالكامل
61 gentleman [ca. 1700]	رَجُل نبيل المُخَنَّد [1700]
62 three-cornered hat	قُبْعَة بثلاثة قرون
63 dress sword	سيف النُوب
64 lady [ca. 1700]	سَيِّدَة نبيلة المُخَنَّد [1700]
65 lace fontange (high headdress of lace)	غطاء رأس بشريط زيمي
66 lace-trimmed loose-fitting housecoat, robe de chambre, negligée, contouche)	عباءة فضفاضة مرَبَّنة بأشرطة
67 band of embroidery	شريط تطريز
68 lady [ca. 1880]	سَيِّدَة نبيلة المُخَنَّد [1880]
69 bustle	أرْداف مُستعارَة
70 lady [ca. 1858]	سَيِّدَة نبيلة المُخَنَّد [1858]
71 poke bonnet	بُوْكِيَة
72 crinoline	نُورَة نافخَة
73 gentleman of the Biedermeier period	رَجُل نبيل المُخَنَّد من العصر البيدميري
74 high collar (choker collar)	ياقة مرتفعة
75 embroidered waistcoat (vest)	صَدْيُورِيَة مطرّزة
76 frock coat	مِخْطَف الفراك/ قصير حتى الركبتين

77 pigtail wig	شَعْر مُسْتَعَار
78 ribbon (bow)	شُرَيْط (بابيون)
79 ladies in court dress [ca. 1780]	سَيِّدَات نبيلات المُخَنَّد في لباس البلاط [1780]
80 train	ذَيْل النُوب
81 miswepst Rococo coiffure	تسريحة شَعْر روكوكو لأعلى
82 hair decoration	زينة للشعر
83 panniered overskirt	نُورَة خارجيّة منفوخة
356 Zoo (Zoological Gardens)	
1 outdoor enclosure	خَطِيرَة مُنْبِجَة في الهواء الطلق
2 rocks	صخور
3 moat	خَنْدَق مائي
4 enclosing wall	جِدَار سياحي
5 animals on show; here: a pride of lions	حيوانات معروضة؛ في الصورة قطع من الأسود
6 visitor to the zoo	زائر حديقة الحيوان
7 notice	لافتة
8 aviary	قفص طيور كبير
9 elephant enclosure	خَطِيرَة الفيلة
10 animal house (e.g. carnivore house, giraffe house, elephant house, monkey house)	بَيْت الحيوانات (مثال بيت آكلات اللحوم، أو الزراف، أو الفيلة، أو القُرود)
11 outside cage (summer quarters)	قفص حيوانات خارجي (البَيْت الصيفي للحيوانات)
12 reptile enclosure	بَيْت الزواحف
13 Nile crocodile	تمساح النيل
14 terrarium and aquarium	مُرَبِّي الأحياء البرية ومرَبِّي الأحياء المائية
15 glass case	صندوق زجاجي
16 fresh-air inlet	فُتَّحة دخول الهواء الطلق
17 ventilator	فُتَّحة التهوية
18 underfloor heating	جهاز تدفئة سفلي
19 aquarium	مُرَبِّي أحياء مائية
20 information plate	لُوحَة المعلومات
21 flora in artificially maintained climate	نباتات في مناخ صناعي
357 Invertebrates	
1-12 unicellular (one-celled, single-celled) animals (protozoans)	الحيوانات وحيدة الخلية
1 amoeba, a rhizopod	الأميبا
2 cell nucleus	نواة الخلية
3 protoplasm	البروتوبلازم
4 pseudopod	الشوكة الكاذبة
5 excretory vacuole (contractile vacuule, an organelle)	حَوْصِلَة إفرازيّة
6 food vacuole	حَوْصِلَة الطعام
7 Actinophrys, a heliozoan	أكتونيفريس حيوان من الشَّمسِيَّات
8 radiolarian; here: siliceous skeleton	حيوان بحري شعويّ؛ في الصورة هيكل سيليكوني
9 slipper animalcule, a	خَيْبُون (حيوان
Paramecium (ciliate infusorian)	ميكروسكوبي زَلِق لا يرى بالعين المُجَرَّدَة)
10 cilium	هُذْب
11 macronucleus (meganucleus)	نواة كبيرة
12 micronucleus	نواة ميكروسكوبية
13-39 multicellular animals (metazoans)	الحيوانات مُتَعَدِّدة الخلايا
13 bath sponge, a porifer (sponge)	إِسْفنجِي الصَّام
14 medusa, a disco-medusa, a coelenterate	رَبَّة البحر، قنديل البحر
15 umbrella	مظلة
16 tentacle	مِص
17 red coral (precious coral), a coral animal (anthozoan, reef-building animal)	مرجان أحمر
18 coral colony	مجموعة مرجانية
19 coral polyp	بُولِب مرجاني
20-26 worms (Vermes)	الديدان
20-leech, an annelid	عَلَقَة، دودة حلقيّة
21 sucker	مِص، عضو المص
22 Spirographis, a bristle worm	دودة الإسيروجرافيس، دودة هليّة
23 tube	أُنْبُوب
24 earthworm	الخُرطُون دودة الأرض
25 segment	فص
26 clitellum [accessory reproductive organ]	عَضُو التناسل
27-36 molluscs (<i>Am. mollusks</i>)	عضو تناسل [إضافي] الرُخويَّات
27 edible snail, a snail	حَلَزُون/ قَوْع صالح للأكل
28 creeping foot	قدم زاحفة
29 shell (snail shell)	صدفة
30 stalked eye	عَيْن ذَنْبِيَّة
31 tentacles (feelers)	قرون استشعار، مِجْسَات
32 oyster	مخارة
33 freshwater pearl mussel	مخار لؤلؤ المياه العذبة
34 mother-of-pearl (nacre)	أم اللؤلؤ
35 pearl	لؤلؤة
36 mussel shell	صدفة المخارة
37 cuttlefish, a cephalopod	الحبار، الصنيد
38-39 echinoderms	العُقْدِيَّات
38 starfish (sea star)	نَجْمَة البَحْر
39 sea urchin (sea hedgehog)	فُتَّذ البَحْر
358 Arthropods	
1-2 crustaceans	المفصليّات
1 mitten crab, a crab	القشريّات
2 water slater	سرطان البحر
3-39, 48-56 insects	دويبة البحر
3 water nymph (dragon-fly), a homopteran (homopteron insect)	الحشرات
3 water scorpion (water bug), a rhynchophore	يعسوب، سُرمان
5 raptorial leg	عُزْب الماء (بَق الماء)
	ساق كاسرة/ جارحة

40-47 arachnids	العنكبوتيات	21 fulmar	طائر الفُلمار	4 starling (pastor, shepherd bird)	الزُرور	buzzard, moor harrier, moor hawk)	
40 Euscorpis	عقرب	13 guillemot, an auk	طائر الغلموت من طَيْر النخار الشماليّة	5 house sparrow	عُصفور معروف	14-19 owls	البوم
flavicandus, a scorpion	كَلَاب	14 black-headed gull (mire crow), a gull	التُّورس ذو الرأس الأسود	6-8 finches	طَيور المُتْرَشور	14 long-eared owl (horned owl)	بومة أذن، بومة الحراج
41 cheliped with chelicera	كَلَاب	15-17 Anseres	رَبْية الإوز	6-7 buntings	البَيْمَر الدُّرأسَة	15 eagle-owl (great horned owl)	البومة الصخّابة (البومة القرقناء)
42 maxillary antenna (maxillary feeler)	قَرَن استشعار فكيّ	15 goosander (common merganser), a sawbill	بَطَة البِقْشَة	6 yellowhammer (yellow bunting)		16 plumicorn (feathered ear, ear tuft, ear, horn)	ريشة أذن مؤنّثة
43 tail sting	إبرة الذيل	16 mute swan, a swan	البجعة الصامطة	7 ortolan (ortolan bunting)	الأرطلان (بلبل الشعير)	17 barn owl (white owl, silver owl, yellow owl, church owl, screech owl)	بومة الهامة (البومة البيضاء، البومة الفضيّة، البومة الصفراء، بومة الكنيسة، البومة الصيّاخ/الصمغاء)
44-46 spiders	العنكابت	17 knob on the bill	زائدة جلديّة فوق المنقار	8 siskin (aberdevine)	السُسكين	18 facial disc (disk)	قرص الوجه
44 wood tick (dog tick)	قرادة الخشب	18 common heron, a heron	مالك الحزين، البكشون	9 great titmouse (great tit, ox eye), a titmouse (tit)	الفرقف	19 little owl (sparrow owl)	بومة صغيرة (صدي)
45 cross spider (garden spider), an orb spinner	عنكبوت الحدائق	19-21 plovers	الطُيور المُرقّاقَة	10 golden-crested wren (goldcrest); <i>sim.</i> : firecrest, one of the Regulidae	التُمّية ذو العُرف الذهبي	363 Birds V (Exotic Birds)	الطُيور (5) (الطيور المُتأدّية)
46 spinneret	المغزّال العضو النابيج للخيوط	19 stilt (stilt bird, stilt plover)	طائر الطول	11 nuthatch	خازن البندق	1 sulphur-crested cockatoo, a parrot	كوكاتو، ببغاء ذو عُرف أصفر
47 spider's web (web)	نسيج العنكبوت	20 coot, a rail	الغرّة	12 wren	خازن البندق	2 blue-and-yellow macaw	المقو ببغاء أمريكي ضخم طويل الذيل ظهره أزرق وبطنه أصفر
48-56 Lepidoptera (butterflies and moths)	قشريات الأجنحة	21 lapwing (green plover, peewit, pewit)	الزرقاق الشامي، أبو طيط	13-17 thrushes	التُمّية، الصعو	3 blue bird of paradise	عُصفور الجنة الأزرق
48 mulberry-feeding moth (silk moth), a bombycid moth	قراشة الحرير	22 quail, a gallinaceous bird	السماطي، السلوي	13 blackbird	طَيور المُسمّنة	4 sapho	كردينا: طائر أمريكي مُغرّد
49 eggs	بيض	23 turtle dove, a pigeon	الفمرية	14 nightingale (<i>poet.</i> : philomel, philomela)	الشُخْزور	5 cardinal (cardinal bird)	كردينا: طائر أمريكي مُغرّد
50 silkworm	ذودة القز	24 swift	السمامة	15 robin (redbreast, robin redbreast)	العنكابت	6 toucan (red-billed toucan), one of the Piciformes	توكان
51 cocoon	شرنقة	25 hoopoe, a roller	الهدهد	16 song thrush (thrush, mavis)	أبو الجناء	364 Fish, Amphibia, and Reptiles	الأسماك، الزمّانيات، والرواحف
52 swallowtail, a butterfly	مدنّية، فراشة خطافية	26 erectile crest	عُرف إنتصابي	17 thrush nightingale	سُمّنة الذيق	1-18 fishes	الأسماك
53 antenna (feeler)	قرن استشعار	27 spotted woodpecker, a woodpecker; related: wryneck	نقار الخشب المرقط	18-19 larks	العنكابت المُغرّب	1 man-eater (blue shark, requin), a shark	الإنسان القروش الأزرق
54 eyespot	تقع عينيّ	28 entrance to the nest	مدخل العش	18 woodlark	القنابر	2 nose (snout)	خلم (أنف)
55 privet hawkmoth, a hawkmoth (sphinx)	قراشة هوليّة	29 nesting cavity	تجويف العش	19 crested lark (tufted lark)	قنبرة أنغابية	3 gill slit (gill cleft)	فتحة الخيشوم
56 proboscis	خرطوم الفراشة	30 cuckoo	الوقواق	20 common swallow (barn swallow, chimney swallow), a swallow	القنبرة ذات القنطرة	4 mirror carp	سمكة الشبوط
359 Birds I	الطيور (1)	360 Birds II (European Birds)	الطيور (2) (الطيور الأوروبية)		السُوْنُو	5 gill cover (operculum)	غطاء الخيشوم
1-3 flightless birds	طيور لا تطير	1, 3, 4, 5, 7, 9, 10 song-birds	طيور مغرّقة	362 Birds IV (Birds of Prey)		6 dorsal fin	زعنفة الظهر
1 cassowary; <i>sim.</i> : emu	الشيم	1 goldfinch, a finch	الحسون، نقار الشوك	1-13 diurnal birds of prey		7 pectoral fin	زعنفة صدرية
2 ostrich	النعام	2 bee eater	الوروار، الخشار	1-4 falcons		8 pelvic fin (abdominal fin, ventral fin)	زعنفة حوضيّة
3 clutch of ostrich eggs [12-14 eggs]	حصّة من بيض النعام	3 redstart (star finch), a thrush	الخميراء، هزاز الحائط	1 merlin		9 anal fin	زعنفة شرجية
4 king penguin, a penguin, a flightless bird	البطريق [14-12 بيضة]	4 bluetit, a tit (titmouse), a resident bird (non-migratory bird)	العُصفور الأزرق (طائر غير مهاجر)	2 peregrine falcon		10 caudal fin (tail fin)	زعنفة الذيل
5-10 web-footed birds	الطيور ذات الأقدام الوترية	5 bullfinch	الدغشاش	3 leg feathers		11 scale	حُرشفة، قشرة
5 white pelican	البيج الأبيض	6 common roller (roller)	الشُقراق	4 tarsus		12 catfish (sheatfish, sheathfish, wels)	سمكة السُور، سمكة القط
6 webfoot (webbed foot)	قدم ذات وترّة	7 golden oriole, a migratory bird	الصقاريّة، طائر مهاجر	5-9 eagles		13 barbel	البُرْبَل زائدة استشعارية رفيعة الرنكة
7 web (palmations) of webbed foot (palmate foot)	قدم ذات وترّة	8 kingfisher	الرفراف، ملاعب ظلّه	5 white-tailed sea eagle (white-tailed eagle, grey sea eagle, erne)		14 herring	الزبّون المرقط
8 lower mandible with gular pouch	فك سفلي ذو جراب	9 white wagtail, a wag-tail	الذعرة	6 hooked beak		15 brown trout	سمكة الكراكي
9 northern gannet (gannet, solan goose), a gannet	الأطيش الشمالي	10 chaffinch	الشُرشور	7 claw (talon)		16 pike (northern pike)	مُتْجان المياه العذبة، الأتقليس
10 green cormorant (shag), a cormorant displaying with spread wings	العاق الأخضر	361 Birds III (Passerines)	الطيور (3) (الجوائم)	8 tail		17 freshwater eel (eel)	حصان البحر/النهر
11-14 long-winged birds (seabirds)	الطيور طويلة الأجنحة (طيور بحرية)	1-20 songbirds	الطيور المغرّقة	9 common buzzard		18 sea horse (Hippocampus, horsefish)	
11 common sea swallow, a sea swallow (tern), diving for food	طائر سنونو الماء يغوص بحثاً عن الطعام	1-3 Corvidae (corvine birds, crows)	فصيلة الغرابيات	10-13 accipiters			
		1 jay (nutcracker)	أبو زريق	10 goshawk			
		2 rook, a crow	غذاف، غراب القيث	11 common European kite (gled, kite)			
		3 magpie	العقّوق، كندش	12 sparrow hawk (sparhawk)			
				13 marsh harrier (moor buzzard)			

19 tufted gills	خَيْشُومٌ مُخَصَّلٌ	butterfly		21 trunk (proboscis)	خَرْطُومٌ	23-29 whales	الحيئات
20-26 Amphibia (amphibians)	البرمائيات	5 Camberwell beauty (mourning cloak, mourning cloak butterfly)	فَرَاشَةٌ نَهَارِيَّةٌ	22 tusk	ناب	23 bottle-nosed dolphin (bottle-nose dolphin)	دولفين قنيني الحطم
20-22 salamanders	الضفدعيّات	6 blue (lycaenid butterfly, lycaenid)	الفراشة الزرقاء	23 manatee (manati, lamantin), a sirenian		24 common dolphin	دولفين معروف
20 greater water newt (crested newt), a water newt	سَمْتَدَلُ المَاءِ	7-11 moths (Heterocera)	البشرات فراشات ليلية (مختلفات القرون)	24 South African dassie (das, coney, hyrax), a procaviid	الأرنب الأوروبي، الزَّم	25 sperm whale (cachalot)	حوت العنبر
21 dorsal crest	قِمَّةٌ ظَهْرِيَّةٌ	7 garden tiger	نمر الصديقة	25 African black rhino, a rhinoceros (nasicorn)		26 blowhole (spout hole)	أحد مَنقاري الحوت
22 fire salamander, a salamander	سَمْتَدَرُ النَّارِ	8 red underwing	ذات الجناح الخلفي الأحمر	25-31 ungulates	نوات الحوافر	27 dorsal fin	زَعْفَنَةٌ ظَهْرِيَّةٌ
23-26 salientians (anurans, batrachians)	القَفْزَاتُ، القَوَافِ	9 death's-head hawkmoth, a hawkmoth (sphinx)	فَرَاشَةٌ جَمْحَمِيَّةٌ	25-27 odd-toed ungulates	نوات الحوافر فَرْدِيَّةُ الأصابع	28 flipper	زَعْفَنَةُ الحوت
23 European toad, a toad	ضَفْدَعُ الطينِ الأورَوبِيّ	10 caterpillar	بَسْرُوعٌ، سُرْفَةٌ	23 African black rhino, a rhinoceros (nasicorn)	وَحِيدُ القَرْنِ، الكَرَكْدَن	29 tail flukes (tail)	فصا ذنب الحوت
24 tree frog (tree toad)	ضَفْدَعُ الشجرِ	11 chrysalis (pupa)	خَادِرَةٌ	26 Brazilian tapir, a tapir			
25 vocal sac (vocal pouch, croaking sac)	كيس النقيق			27 zebra			
26 adhesive disc (disk)	قُرْصٌ لاصِقٌ			28-31 even-toed ungulates			
27-41 reptiles	الزواحف			28-30 ruminants			
27, 30-37 lizards	العظاءات/السحالي	366 Mammals I	الثدييات (1)	28 llama			
27 sand lizard	عظاءة الرمال	1 platypus (duck-bill, duck-mole), a monotreme (oviparous mammal)	البلاتيوس، ميقار البطة	29 Bactrian camel (two-humped camel)			
28 hawkbill turtle (hawkbill)	سَلْحَفَاءٌ بَحْرِيَّةٌ	2-3 marsupial mammals (marsupials)	الثدييات الجرابية	30 guanaco			
29 carapace (shell)	درقة السلحفاة (برع قرني)	2 New World opossum, a didelphid	الأبوسوم حيوان أمريكي يتظاهر بالموث عندما يحدق به خطر	31 hippopotamus			
30 basilisk	المازيليك (عظاءة أمريكية)						
31 desert monitor, a monitor lizard (monitor)	الوزل						
32 common iguana, an iguana	الإغوانة عظاءة أمريكية						
33 chameleon, one of the Chamaeleontidae (Rhiptoglossa)	إستوائية عاشبة الحرباء						
34 prehensile foot	قدم إمساكية						
35 prehensile tail	ذيل إمساكي						
36 wall gecko, a gecko	الغُرْصُ، أبو بريص						
37 slowworm (blindworm), one of the Anguidae	العظاءة العمياء						
38-41 snakes	الأفاعي						
38 ringed snake (ring snake, water snake, grass snake), a colubrid	أفعى الماء						
39 collar	ياقة						
40-41 vipers (adders)	أفاعي سامة						
40 common viper, a poisonous (venomous) snake	أفعى سامة شائعة						
41 asp (asp viper)	الصِّل المِصْرِيّ أفعى صفيرة سامة						
365 Lepidoptera (Butterflies and Moths)	قشريات الأجنحة (الفراشات و البشرات)						
1-6 butterflies	الفراشات						
1 red admiral	الأميرة الحمراء						
2 peacock butterfly	الفراشة الطاويسية						
3 orange tip (orange tip butterfly)	الفراشة البرتقالية						
4 brimstone (brimstone)	كَبْرِيَّةٌ						

8 Mopsea, a sea fan [colony]	مَرَوْحَةُ الْبَحْرِ [مُسْتَعْمَرَةٌ]	rays	حَسْبُ أَيْضُ ، حَسْبُ الشُّعْ	54 ovary	مَبِينُص	97-102 indehiscent fruits	ثَمَارٌ مُطَبِّقَةٌ
9 Hydrallmania, a hydroid polyp, a coelenterate [colony]	زَهْرُ الْبَحْرِ ، عُدَابُ رُبُوبِي ، بُولِبُ هَيْدْرِي [مُسْتَعْمَرَةٌ]	12 sapwood (sap, albumum)	حَسْبُ أَيْضُ ، حَسْبُ الشُّعْ	55 style	قَلَمُ السَّمَةِ ، حَامِلُ السَّمَةِ	97 berry	عَنْبِيَّةٌ
10 Malacosteus indicus, a stomiatid [luminescent]	سَمَكَةٌ مَلَاقُوسِيُوسُ الْمَسُوْطَةُ [مُضِيئَةٌ]	13 heartwood (duramen)	جَلْبُ ، حَسْبُ الْقَلْبِ	56 stigma	سَمَةٌ ، مَبِينُص	98 nut	جِرَّةٌ
11 Brisinga endecacnemus, a sand star (brittle star), an echinoderm [luminescent only when stimulated]	نَجْمُ الرَّمَالِ ، حَيَوَانٌ شُوْكِي الْجِلْدِ [مُضِيٌّ عِنْدَ حَفْزِهِ]	14 pith	نَخَاعٌ ، لَبٌّ	57 stamen	سَدَاةٌ	99 drupe (stone fruit) (cherry)	نُورِيَّةٌ
12 Pasiaphaca, a shrimp, a crustacean	إِرْبِيَانٌ ، بَرَّغُوْتُ الْبَحْرِ ، جَنْبَرِي ، حَيَوَانٌ قَشْرِيٌّ	15 plant	نَبْتَةٌ	58 sepal	كَأْسِيَّةٌ ، فَصْلَةٌ	100 aggregate fruit (compound fruit) (rose hip)	ثَمْرَةٌ عَلَقِيَّةِيَّةٌ
13 Echiostoma, a stomiatid, a fish [luminescent]	سَمَكَةُ الْإَكْسِيُوسْتُمَا [مُضِيئَةٌ]	16-18 root	جَذْرٌ	59 petal	تَوَجِيحِيَّةٌ	101 aggregate fruit (compound fruit) (raspberry)	ثَمْرَةٌ مُتَضَاعِفَةٌ (تَوْتُ شُوْكِي)
14 Umbellula encrinus, a sea pen (sea feather), a coelenterate [colony, luminescent]	أَنْكُرِيُوسٌ خَيْمِيٌّ ، رِيْشَةُ الْبَحْرِ ، حَيَوَانٌ لَامِعُوِيٌّ [مُسْتَعْمَرَةٌ، مُضِيٌّ]	16 primary root	جَذْرٌ رَيْسِيٌّ ، عِرْقَةٌ	60 ovary and stamen [section]	المَبِينُصُ وَالسَدَاةُ [مَقْلَعٌ]	102 pome (apple)	ثَمْرَةٌ تَفَاحِيَّةٌ
15 Polycheles, a crustacean	أَمُّ الْإِرْبِيَانِ ، حَيَوَانٌ مِنَ الْقَشْرِيَّاتِ	17 secondary root	جَذْرٌ ثَانَوِيٌّ	61 ovary wall	جِدَارُ الْمَبِينُصِ		
16 Lithodes, a crustacean, a crab	سَرْطَانُ اللَّيْثُوْدَسِ ، حَيَوَانٌ قَشْرِيٌّ	18 root hair	شُعُورٌ جَذْرِيَّةٌ	62 ovary cavity	تَحْوِيْفُ الْمَبِينُصِ		
17 Archaster, a starfish (sea star), an echinoderm	كُوْكَبُ الْبَحْرِ ، نَجْمُ الْبَحْرِ ، حَيَوَانٌ شُوْكِي الْجِلْدِ	19-25 shoot (sprout)	فَرْخٌ ، وَكْرَةٌ ، فَسَيْلَةٌ	63 ovule	بَيْضِيَّةٌ ، بُوَيْجِيَّةٌ		
18 Oneirophanta, a sea cucumber, an echinoderm	أُونَايْرُوْفَنْتَا ، خِيَارُ الْبَحْرِ ، حَيَوَانٌ شُوْكِي الْجِلْدِ	19 leaf	وَرَقَةٌ	64 embryo sac	كَيْسُ الْجَيْنِ		
19 Palaeopneustes niasicus, a sea urchin (sea hedgehog), an echinoderm	قَنْعَدُ الْبَحْرِ ، حَيَوَانٌ شُوْكِي الْجِلْدِ	20 stalk	عَنْقَبٌ	65 pollen	غَبَارُ الطَّلَعِ ، لِقَاحٌ		
20 Chitonactis, a sea anemone (actinia), a coelenterate	شُعَارُ الْبَحْرِ ، شَقِيْقُ الْبَحْرِ ، حَيَوَانٌ لَامِعُوِيٌّ	21 side shoot (offshoot)	فَرْعٌ جَانِبِيٌّ	66 pollen tube	غَبَارُ الطَّلَعِ ، لِقَاحٌ		
		22 terminal bud	بُرْعَمُ انْتِهَائِيٌّ	67-77 inflorescences	أَشْكَالُ الْإِزْهَارِ ، النُّوْرَاتِ		
		23 flower	زَهْرَةٌ	67 spike (racemose spike)	سَنْبَلَةٌ ، سَبَلَةٌ ، سَبِيْلَةٌ		
		24 flower bud	بُرْعَمُ الزَهْرَةِ	68 raceme (simple raceme)	عَنْقُوْدٌ		
		25 leaf axil with axillary bud	مِحْوَرُ الْوَرَقَةِ مَعَ بُرْعَمٍ إِضَافِيٍّ	69 panicle	عَنْكُوْلٌ		
		26 leaf	وَرَقَةٌ	70 cyme	سَنْبَةٌ ، قَمَةٌ		
		27 leaf stalk (petiole)	عَنْقَبُ الْوَرَقَةِ	71 spadix (fleshy spike)	طَلَعٌ		
		28 leaf blade (blade, lamina)	نَضَلُ الْوَرَقَةِ	72 umbel (simple umbel)	خَيْمَةٌ		
		29 venation (veins, nervures, ribs)	عَرَقٌ ، تَعْرِيقٌ	73 capitulum	رُوَيْسٌ		
		30 midrib (nerve)	عَبْرٌ ، صِلْعٌ	74 composite head (discoid flower head)	رَأْسُ مَرْكَبٍ		
		31-38 leaf shapes	أَشْكَالُ الْوَرَقَةِ	75 hollow flower head	رَأْسُ زَهْرَةٍ مِجْوَفٍ		
		31 linear	خَطِيَّةٌ	76 bostryx (helicoid cyme)	سَنْبَةٌ حَلَزُونِيَّةٌ		
		32 lanceolate	سَنْبَانِيَّةٌ	77 cincinnus (scorpioid cyme, curled cyme)	سَنْبَةٌ مَقْوُوسَةٌ		
		33 orbicular (orbiculate)	دَائِرِيَّةٌ	78-82 roots	الجَذُوْرُ		
		34 acerose (acerous, acerate, acicular, needle-shaped)	إِبْرِيَّةٌ	78 adventitious roots	جَذْرٌ عَرْضِيٌّ/طَارِئٌ		
		35 cordate	قَلْبِيَّةٌ	79 tuber (tuberous root, swollen taproot)	عَسْفَلٌ ، عَسْفُوْلٌ		
		36 ovate	بَيْضَوِيَّةٌ	80 adventitious roots (aerial roots)	جَذُوْرٌ عَرْضِيَّةٌ		
		37 sagittate	سَهْمِيَّةٌ	81 root thorns	شُوْكُ الْجَذْرِ		
		38 reniform	كَلْوِيَّةٌ	82 pneumatophores	حَوَامِلُ رُبُوِيَّةٌ		
		39-42 compound leaves	أَوْرَاقٌ مُرَكَّبَةٌ	83-85 blade of grass	نَضَلُ الْجَنْجِيْلِيَّاتِ		
		39 digitate (digitated, palmate, quinque-foliolate)	وَرَقَةٌ مُضَيَّعَةٌ	83 leaf sheath	قَاعِيَّةٌ مِعْلَاقُ الْوَرَقَةِ		
		40 pinnatifid	وَرَقَةٌ رِيْشِيَّةٌ الْإِنْشِقَاقِ	84 ligule (ligula)	لَسِيْنٌ		
		41 abruptly pinnate	وَرَقَةٌ رِيْشِيَّةٌ مَبْتُوْرَةٌ	85 leaf blade (lamina)	نَضَلُ الْوَرَقَةِ		
		42 odd-pinnate	وَرَقَةٌ رِيْشِيَّةٌ مُفْرَدَةٌ	86 embryo (seed, germ)	جَيْنٌ		
		43-50 leaf margin shapes	أَشْكَالُ حَافَةِ الْوَرَقَةِ	87 cotyledon (seed leaf, seed lobe)	بَلَقَةٌ ، فَلَاقَةٌ		
		43 entire	كَامِلَةٌ/عَلْسَاءٌ	88 radicle	جَذِيْرٌ		
		44 serrate (serrulate, saw-toothed)	مِنْشَارِيَّةٌ	89 hypocotyl	سُوَيْقُ الْجَيْنِ		
		45 doubly toothed	زُوْجِيَّةُ الْأَسْنَانِ	90 plumule (leaf bud)	سَاقُ جَيْنِيَّةٍ		
		46 crenate	مَفْرُضَةٌ/مَشْرَفَةٌ	91-102 fruits	الثَمَارُ		
		47 dentate	مَسْنَنَةٌ	91-96 dehiscent fruits	ثَمَارٌ مُتَفَتِّحَةٌ		
		48 sinuate	مَسْتَعِجَةٌ	91 follicle	ثَمْرَةٌ جَرَابِيَّةٌ		
		49 ciliate (ciliated)	هَمْشِيَّةٌ	92 legume (pod)	ثَمْرَةٌ جَرَابِيَّةٌ		
		50 cilium	هَذْبٌ	93 siliqua (pod)	سَفِيْنَةٌ ، قَرْنٌ ، حَبْلَةٌ		
		51 flower	زَهْرَةٌ	94 schizocarp	خَرْدَالِيَّةٌ		
		52 flower stalk (flower stem, scape)	عَنْقَبُ الزَهْرَةِ	95 pyxidium (circumscissile seed vessel)	ثَمْرَةٌ مُشَقَّقَةُ الْجِنْبَاءِ		
		53 receptacle (floral axis, thalamus, torus)	قُرْصٌ/كُرْسِيٌّ الزَهْرَةِ	96 poricidal capsule (porose capsule)	عَلْبِيَّةٌ مَسَامِيَّةٌ		
370 General Botany	عِلْمُ النَّبَاتِ						
1 tree	شَجَرَةٌ						
2 bole (tree trunk, trunk, stem)	جَذَعٌ						
3 crown of tree (crown)	تَاجُ الشَّجَرَةِ						
4 top of tree (treetop)	أَعْلَى الشَّجَرَةِ						
5 bough (limb, branch)	فَرْعٌ شَجْرِيٌّ ، غُصْنٌ كَبِيْرٌ						
6 twig (branch)	غُصْنٌ ، فَنْدٌ						
7 bole (tree trunk) [cross section]	جَذَعٌ [مَقْلَعٌ عَرْضِيٌّ]						
8 bark (rind)	لِحَاءٌ						
9 phloem (bast sieve tissue, inner fibrous bark)	لِحَاءٌ دَاخِلِيٌّ						
10 cambium (cambium ring)	قَلْبٌ ، قَلْبٌ						
11 medullary rays	أَشْعَةٌ لِيْنِيَّةٌ						

38 ash (ash tree)	شجرة العُرَّان
39 flowering branch	فَرْع مَرْهَر
40 flower	زَهْرَة
41 fruiting branch	فَرْع مُمْرٍ
42 mountain ash (rowan, quickbeam)	شجرة السَّمَن
43 inflorescence	نظام الإزهار
44 infrucescence	عُتْقُود شَمْر
45 fruit [longitudinal section]	ثَمْرَة [مَقَطَع طُولِي]
46 lime (lime tree, linden, linden tree)	شجرة الزيرفون
47 fruiting branch	فَرْع مُمْرٍ
48 inflorescence	نظام الإزهار
49 elm (elm tree)	بُوَيْقِيسَا، شجرة البِقْ
50 fruiting branch	فَرْع مُمْرٍ
51 flowering branch	فَرْع مَرْهَر
52 flower	زَهْرَة
53 maple (maple tree)	شجرة القيقب
54 flowering branch	فَرْع مَرْهَر
55 flower	زَهْرَة
56 fruiting branch	فَرْع مُمْرٍ
57 maple seed with wings (winged maple seed)	بَذْرَة قَيْقَب جَنَاحِيَة
58 horse chestnut (horse chestnut tree, chestnut, chestnut tree, buckeye)	قَسَطَلَة الهِنْد، قَسَطَل الحِصَان
59 branch with young fruits	فَرْع وَبِه بُوَادِر الثَمَار
60 chestnut (horse chestnut)	قَسَطَل، كَسْتَنْتَة
61 mature (ripe) fruit	ثَمْرَة بَادِغَة
62 flower [longitudinal section]	زَهْرَة [مَقَطَع طُولِي]
63 hornbeam (yoke elm)	شجرة النُّبْر، نَبْرِيَة شَاعِغَة
64 fruiting branch	فَرْع مُمْرٍ
65 seed	حَبَة، بَذْرَة
66 flowering branch	فَرْع مَرْهَر
67 plane (plane tree)	دَلْب، حِصَار
68 leaf	وَرَقَة
69 infructescence and fruit	عُتْقُود شَمْر وَثَمْرَة
70 false acacia (locust tree)	رُوَيْبِيْنَة شَاعِغَة، سَطَّ كَاذِب
71 flowering branch	فَرْع مَرْهَر
72 part of the infructescence	جِزْء مَن عُتْقُود الثَمْر
73 base of the leaf stalk with stipules	قَاعِدَة سَاك الوَرَقَة وَبِهَا اذْنَات
372 Conifers	الصنوبريات
1-71 coniferous trees (conifers)	الأشجار الصنوبرية
1 silver fir (European silver fir, common silver fir)	ثُوب مُسْتَحِب، ثُوب مِسْطِي
2 fir cone, a fruit cone	صُنُوبِرَة الثُّوب
3 cone axis	مِجُور الصُنُوبِرَة
4 female flower cone	صُنُوبِرَة زَهْرَة مُؤنَّثَة
5 bract scale (bract)	قَنَابَة

6 male flower shoot	فَسِيلَة زَهْرَة مَذَكْرَة
7 stamen	سَدَاة
8 cone scale	حَرْشَفَة الصُنُوبِرَة
9 seed with wing (winged seed)	بَذْرَة جَنَاحِيَة
10 seed [longitudinal section]	بَذْرَة (حَبَة) [مَقَطَع طُولِي]
11 fir needle	وَرَقَة الثُّوب الخَيْطِيَة
12 spruce (spruce fir)	رَاتِيْنِيَة عَالِيَة
13 spruce cone	صُنُوبِرَة الرَاتِيْنِيَة العَالِيَة
14 cone scale	حَرْشَفَة الصُنُوبِرَة
15 seed	بَذْرَة، حَبَة
16 female flower cone	صُنُوبِرَة زَهْرَة مُؤنَّثَة
17 male inflorescence	شَكْل إزْهَار ذَكَرِي
18 stamen	سَدَاة
19 spruce needle	وَرَقَة الرَاتِيْنِيَة الخَيْطِيَة
20 pine (Scots pine)	صُنُوبِر (صُنُوبِر اسْكُوتلَنْدِي)
21 dwarf pine	صُنُوبِر قَرْمِي
22 female flower cone	صُنُوبِرَة زَهْرَة مُؤنَّثَة
23 short shoot with bundle of two leaves	فَسِيلَة قَصِيْرَة ذَات وَرَقَتَيْن
24 male inflorescences	أَشْكَال إزْهَار ذَكَرِي
25 annual growth	نَمَاء سَنَوِي
26 pine cone	صُنُوبِرَة الصُنُوبِر
27 cone scale	حَرْشَفَة الصُنُوبِرَة
28 seed	بَذْرَة، حَبَة
29 fruit cone of the arolla pine (Swiss stone pine)	صُنُوبِرَة ثَمْرَة الصُنُوبِر
30 fruit cone of the Weymouth pine (white pine)	السُويسِرِي صُنُوبِرَة ثَمْرَة الصُنُوبِر الأَبْيَض
31 short shoot [cross section]	فَسِيلَة قَصِيْرَة [مَقَطَع عَرْضِي]
32 larch	أَرْزِيَة
33 flowering branch	فَرْع مَرْهَر
34 scale of the female flower cone	حَرْشَفَة صُنُوبِرَة زَهْرَة مُؤنَّثَة
35 anther	مِئْبَر، مِئْبَار
36 branch with larch cones (fruit cones)	فَرْع وَعَلِيْه صُنُوبِرَات الأَرْزِيَة
37 seed	بَذْرَة، حَبَة
38 cone scale	حَرْشَفَة الصُنُوبِرَة
39 arbor vitae (tree of life, thuja)	شجرة الحياة، عَفْصِيَة
40 fruiting branch	فَرْع مُمْرٍ
41 fruit cone	صُنُوبِرَة الثَمْرَة
42 scale	حَرْشَفَة
43 branch with male and female flowers	فَرْع وَبِه اِزْهَار مَذَكْرَة وَمؤنَّثَة
44 male shoot	فَسِيلَة مَذَكْرَة
45 scale with pollen sacs	حَرْشَفَة وَعَلِيْهَا أَكْيَاس اللِقَاح
46 female shoot	فَسِيلَة مؤنَّثَة
47 juniper (juniper tree)	شجرة العُرَّع
48 female shoot [longitudinal section]	فَسِيلَة مؤنَّثَة [مَقَطَع طُولِي]
49 male shoot	فَسِيلَة مَذَكْرَة
50 scale with pollen sacs	حَرْشَفَة وَعَلِيْهَا أَكْيَاس اللِقَاح

51 fruiting branch	فَرْع مُمْرٍ
52 juniper berry	ثَمْرَة العُرَّع
53 fruit [cross section]	ثَمْرَة [مَقَطَع عَرْضِي]
54 seed	بَذْرَة، حَبَة
55 stone pine	صُنُوبِر مُمْرٍ
56 male shoot	فَسِيلَة مَذَكْرَة
57 fruit cone with seeds [longitudinal section]	صُنُوبِرَة الثَمْرَة وَبِهَا البُودِر [مَقَطَع طُولِي]
58 cypress	السُرُوق
59 fruiting branch	فَرْع مُمْرٍ
60 seed	بَذْرَة، حَبَة
61 yew (yew tree)	الطَّقُوس
62 male flower shoot and female flower cone	فَسِيلَة زَهْرَة مَذَكْرَة وَصُنُوبِرَة زَهْرَة مُؤنَّثَة
63 fruiting branch	فَرْع مُمْرٍ
64 fruit	ثَمْرَة
65 cedar (cedar tree)	شجرة الأرز
66 fruiting branch	فَرْع مُمْرٍ
67 fruit scale	حَرْشَفَة الثَمْرَة
68 male flower shoot and female flower cone	فَسِيلَة زَهْرَة مَذَكْرَة وَصُنُوبِرَة زَهْرَة مُؤنَّثَة
69 mammoth tree (Wellingtonia, sequoia)	جَبَارَة، سَكُوِيَة
70 fruiting branch	فَرْع مُمْرٍ
71 seed	بَذْرَة، حَبَة
373 Ornamental Shrubs and Trees I	جَنَابَات وَأَشْجَار الرِّيْمَة (1)
1 forsythia	فَرَسِيْتِيَة
2 ovary and stamen	المَبِيض والسَدَاة
3 leaf	وَرَقَة
4 yellow-flowered jasmine (jasmin, jessamine)	الْيَاسْمِين الأَصْفَر
5 flower [longitudinal section] with styles, ovaries, and stamens	زَهْرَة [مَقَطَع طُولِي] وَبِهَا أَقْلَام السَمَة وَالمَبَايِض وَالأَسْدِيَة
6 privet (common privet)	جَنِيَة الرِّبَاط، لِيْسْتَرْوَم
7 flower	زَهْرَة
8 infructescence	عُتْقُود شَمْر
9 mock orange (sweet syringa)	فِيْلَادَنْس إِكْلِيْبِي
10 snowball (snowball bush, guelder rose)	كُرَة الثَّلْج، حَخَان المَاء
11 flower	زَهْرَة
12 fruits	ثَمَار
13 oleander (rosebay, rose laurel)	بَغْلَى، أَلَاء
14 flower [longitudinal section]	زَهْرَة [مَقَطَع طُولِي]
15 red magnolia	مَعْتُولِيَة حَمْرَاء
16 leaf	وَرَقَة
17 japonica (japanese quince)	يَابَانِيَة
18 fruit	ثَمْرَة
19 common box (box, box tree)	بَقْس شَاعِغ
20 female flower	زَهْرَة مُؤنَّثَة
21 male flower	زَهْرَة مَذَكْرَة
22 fruit [longitudinal section]	ثَمْرَة [مَقَطَع طُولِي]
23 spiraea	إِكْلِيْل، إِسْبِيرِيَة
24 flower [longitudinal section]	زَهْرَة [مَقَطَع طُولِي]
25 fruit	ثَمْرَة
26 carpel	حَبَاء
27 blackthorn (sloe)	بَرْقُوق شَاك
28 leaves	أوراق
29 fruits	ثَمَار
22 fruit [longitudinal section]	ثَمْرَة [مَقَطَع طُولِي]
23 weigela (weigelia)	وَيْغِيَة
24 yucca [part of the inflorescence]	يُكَّة
25 leaf	وَرَقَة
26 dog rose (briar rose, wild briar)	بِسْرِيْن بَرِي
27 fruit	ثَمْرَة
28 kerria	كِرِيَة
29 fruit	ثَمْرَة
30 cornelian cherry	قَرَانِيَا مَعْرُوفَة
31 flower	زَهْرَة
32 fruit (cornelian cherry)	ثَمْرَة
33 sweet gale (gale)	شَمَاعِيَة عَطْرِيَة
374 Ornamental Shrubs and Trees II	جَنَابَات وَأَشْجَار الرِّيْمَة (2)
1 tulip tree (tulip poplar, saddle tree, whitewood)	شجرة الزُنُوق
2 carpels	الْحَبِيَة
3 stamen	سَدَاة
4 fruit	ثَمْرَة
5 hyssop	زُؤْفَا، أَشْجَان دَاوِد
6 flower [front view]	زَهْرَة [مَنْظَر أَمَامِي]
7 flower	زَهْرَة
8 calyx with fruit	كَاس مَع ثَمْرَة
9 holly	بَهْنَشِيَة، إِلِكْس
10 androgynous (hermaphroditic, hermaphrodite) flower	زَهْرَة خَمْثِي
11 male flower	زَهْرَة مَذَكْرَة
12 fruit with stamens exposed	ثَمْرَة وَأَنْوِيَة مَكشُوفَة
13 honeysuckle (woodbine, woodbind)	سُلْطَان الجِبِل، شِبْر فَايِد
14 flower buds	بُرَاعِم الزَهْوَر
15 flower [cut open]	زَهْرَة [مَشْقُوقَة]
16 Virginia creeper (American ivy, woodbine)	لِيْلَابَة عِذْرَاء
17 open flower	زَهْرَة مَفْتُوحَة
18 infructescence	عُتْقُود ثَمْر
19 fruit [longitudinal section]	ثَمْرَة [مَقَطَع طُولِي]
20 broom	قُوطِيسُون، رَتَم المَكَاس
21 flower with the petals removed	زَهْرَة تُزِعْت مِنْهَا البَتَلَات/التَوَيْجِيَات
22 immature (unripe) legume (pod)	بَقْلَة لَمْ تَمْتَضِج بَعْد
23 spiraea	إِكْلِيْل، إِسْبِيرِيَة
24 flower [longitudinal section]	زَهْرَة [مَقَطَع طُولِي]
25 fruit	ثَمْرَة
26 carpel	حَبَاء
27 blackthorn (sloe)	بَرْقُوق شَاك
28 leaves	أوراق
29 fruits	ثَمَار

berry); *sim.*: cowberry (red whortleberry), bog bilberry (bog whortleberry), crowberry (crakeberry)

378 Alpine Plants, Aquatic Plants (Water Plants), and Marsh Plants

1-13 alpine plants

1 alpine rose (alpine rhododendron)
2 flowering shoot
3 alpine soldanella (soldanella)
4 corolla opened out
5 seed vessel with the style

6 alpine wormwood
7 inflorescence
8 auricula
9 edelweiss
10 flower shapes
11 fruit with pappus tuft

12 part of flower head (of capitulum)

13 stemless alpine gentian

14-57 aquatic plants (water plants) and marsh plants

14 white water lily
15 leaf
16 flower
17 Queen Victoria water lily (Victoria regia water lily, royal water lily, Amazon water lily)

18 leaf
19 underside of the leaf
20 flower
21 reed mace bulrush (cattail, cat's tail, cattail flag, club rush)

22 male part of the spadix
23 male flower
24 female part
25 female flower
26 forget-me-not
27 flowering shoot
28 flower [section]
29 frog's bit
30 watercress

31 stalk with flowers and immature (unripe) fruits
32 flower
33 siliqua (pod) with

النباتات الألبية ونباتات الماء ونباتات المستنقعات

النباتات الألبية

ورد ألبى
فرع مزهر
سولدانيلا ألبية
تويج مفتوح
وعاء البذرة والميسم

أفستين ألبى
شكل إزهار
زهرة الربيع الأذينية
برسية ألبية
أشكال الأزهار
ثمرة ذات حزمة خيوط شعيرية مظللة
جزء من رأس زهرة

جنطيانا ألبية عديمة الساق
النباتات المائية ونباتات المنافع

نيلوفر أبيض
ورقة
زهرة
زنبق فيكتوريا، فيكتوريا ملكية، ذرة الماء

ورقة
الجانب السفلي للورقة
زهرة
تيفا عريضة الورق، عشبة البرك

الجزء الذكري للطلع
زهرة مذكرة
جزء مؤنث
زهرة مؤنثة
أذن الفار
فرع مزهر
زهرة [مقطع]
كلوة الماء
قرعة العين

ساق عليها أوراق وثمار غير ناضجة
زهرة
خردلية بها حيوب

إبرة الراعي
هذبنا بريئة
كثانية شائعة
خف السديدة، مجزاعة الحدائق
سكلب (خصى الثعلب)

نباتات الأبحراج والمستنقعات والبراحات

شغار حرجي
زنبق الوادي
رجل الهرم (مستدرة)، مثلها
زهرة الرمال (مخلدة)

زنبق مرثاغون
لجنية القيس

ثوم الدبئية
حشيشة الرئة
قديرة
مخلدة
ذفئة
زهرة لا تسمى، المستحية
قرن الأيل

نبات أكل للحشرات
دوروسيرة
عنب الدب
بسنجاج، نوع من السرخسيات، مثله سرخس
ذكر، أسنودة ملوكية

طكلب شعري
كثان المنافع
خلنج، مثله زهرة الخلنج

زهرة الشمس
شاي المنافع
وج، عراق أكر، أفزونون

عنب الأبحراج، أوبسة، ومنه عنبية جبلية، وعنبية

24 crane's bill
25 wild chicory (witloof, succory, wild endive)
26 common toadflax (butter-and-eggs)
27 lady's slipper (Venus's slipper, *Am. moccasin flower*)
28 orchis (wild orchid), an orchid

377 Plants of Forest, Marsh, and Heathland

1 wood anemone (anemone, windflower)
2 lily of the valley
3 cat's foot (milkwort); *sim.*: sandflower (everlasting)

4 turk's cap (turk's cap lily)
5 goatsbeard (goat's beard)

6 ramson
7 lungwort
8 corydalis
9 orpine (livelong)
10 daphne
11 touch-me-not
12 staghorn (stag horn moss, stag's horn, stag's horn moss, coral evergreen)

13 butterwort, an insectivorous plant
14 sundew; *sim.*: Venus's flytrap
15 bearberry
16 polypody (polypod), a fern; *sim.*: male fern, brake (bracken, eagle fern), royal fern (royal osmund, king's fern, ditch fern)

17 haircap moss (hair moss, golden maiden-hair), a moss
18 cotton grass (cotton rush)
19 heather (heath, ling); *sim.*: bell heather (cross-leaved heather)

20 rock rose (sun rose)
21 marsh tea
22 sweet flag (sweet calamus, sweet sedge)

23 bilberry (whortleberry, huckleberry, blue-

نسق داخلي)
كأس قنابي مع شعيرات
شوكية مظللة
مبيض وظلة، شعيرات
ناشرة
ثمرة
عشبة البواسير
ثمرة
مجنور ورقة ذو بصيلة
عشبة الكلال
زهرة
سنبيلة [منظر جانبي]
سنبيلة [منظر أمامي]
برة

أزهار المراعي والأزهار البرية (2)

حزمة عشبية
سقيتون
زهرة [مقطع طولي]
ثمرة

ثمرة

أزهار المراعي والأزهار البرية (1)

زهرة الربيع، مرغبريتا
زهرة
ثمرة
ثمرة
أقحوان المروج

زهرة
ثمرة
بقلة الرئيس، هرقلية
ضويفية
أذريون الماء، زهرة الربيع
العرجية
أذان الدب، بوصير

جنجر ملو (عشبة الأفعى)
زهرة
قنطريون أسود
خبازة بريئة
ثمرة
أخيلة ذات ألف ورقة
زهرة التمام ذاتي
قرن الغزال، لوطس قرني

كثبات، ذنب الخيل [فسيلة]
زهرة (مخروط)
سليوس، ينفور بري
[لخنين الثياب]
زهرة الوراق

زراوند
زهرة

(flower of inner series)
33 involucre calyx with pappus bristles
34 ovary with pappus
35 fruit
36 lesser celandine
37 fruit
38 leaf axil with bulbil
39 annual meadow grass
40 flower
41 spikelet [side view]
42 spikelet [front view]
43 caryopsis, an indehiscent fruit
44 tuft of grass (clump of grass)
45 comfrey
46 flower [longitudinal section]
47 fruit

376 Meadow Flowers and Wayside Flowers (Wild Flowers) II

1 daisy (*Am. English daisy*)
2 flower
3 fruit
4 oxeye daisy (white oxeye daisy, marguerite)
5 flower
6 fruit
7 masterwort
8 cowslip

9 great mullein (Aaron's rod, shepherd's club)
10 bistort (snakeweed)
11 flower
12 knapweed
13 common mallow
14 fruit
15 yarrow
16 self-heal
17 bird's foot trefoil (bird's foot clover)
18 horsetail (equisetum) [a shoot]
19 flower (strobile)
20 campion (catchfly)
21 ragged robin (cuckoo flower)
22 birthwort
23 flower

30 single-pistilled hawthorn (thorn, may)
31 fruit
32 laburnum (golden chain, golden rain)
33 raceme
34 fruits
35 black elder (elder)
36 elder flowers
37 elderberries

375 Meadow Flowers and Wayside Flowers (Wild Flowers) I

1 rotundifoliate (rotundifolious) saxifrage (rotundifoliate breakstone)
2 leaf
3 flower
4 fruit
5 anemone (windflower)
6 flower [longitudinal section]
7 fruit
8 buttercup (meadow buttercup, butterflower, goldcup, king cup, crowfoot)
9 basal leaf
10 fruit
11 lady's smock (lady-smock, cuckoo flower)

12 basal leaf
13 fruit
14 harebell (hairbell, bluebell)
15 basal leaf
16 flower [longitudinal section]
17 fruit
18 ground ivy (ale hoof)
19 flower [longitudinal section]
20 flower [front view]
21 stonecrop
22 speedwell
23 flower
24 fruit
25 seed
26 moneywort
27 dehiscent fruit
28 seed
29 small scabious
30 basal leaf
31 ray floret (flower of outer series)
32 disc (disk) floret

زغور وحيد البذرة
ثمرة
سبيثيس، قوطيوسوس
عنفود
ثمار
خمان أسود
زهور الخمان
عنبيات الخمان
كاسر الحجر المستدير
الورق
ورقة
زهرة
ثمرة
شقائق النعمان
زهرة [مقطع طولي]
ثمرة
حودان
ورقة قاعدية
ثمرة
حرف الماء، حرف المروج
ورقة قاعدية
ثمرة
جريس مستدير الورق
ورقة قاعدية
زهرة [مقطع طولي]
ثمرة
نيلاب ارضي
زهرة [مقطع طولي]
زهرة
ثمرة
بذرة، حبة
لوسيناخوس نقدى
ثمرة متفتحة
بذرة، حبة
إسكينوزة، زهرة الجرب
ورقة قاعدية
زهرة شعاعية (زهرة ذات نسق خارجي)
زهرة قرصية (زهرة ذات

ورقة قاعدية
حرف الماء، حرف المروج
ورقة قاعدية
ثمرة
جريس مستدير الورق
ورقة قاعدية
زهرة [مقطع طولي]
ثمرة
نيلاب ارضي
زهرة [مقطع طولي]
زهرة
ثمرة
بذرة، حبة
لوسيناخوس نقدى
ثمرة متفتحة
بذرة، حبة
إسكينوزة، زهرة الجرب
ورقة قاعدية
زهرة شعاعية (زهرة ذات نسق خارجي)
زهرة قرصية (زهرة ذات

ورقة قاعدية
حرف الماء، حرف المروج
ورقة قاعدية
ثمرة
جريس مستدير الورق
ورقة قاعدية
زهرة [مقطع طولي]
ثمرة
نيلاب ارضي
زهرة [مقطع طولي]
زهرة
ثمرة
بذرة، حبة
لوسيناخوس نقدى
ثمرة متفتحة
بذرة، حبة
إسكينوزة، زهرة الجرب
ورقة قاعدية
زهرة شعاعية (زهرة ذات نسق خارجي)
زهرة قرصية (زهرة ذات

ورقة قاعدية
حرف الماء، حرف المروج
ورقة قاعدية
ثمرة
جريس مستدير الورق
ورقة قاعدية
زهرة [مقطع طولي]
ثمرة
نيلاب ارضي
زهرة [مقطع طولي]
زهرة
ثمرة
بذرة، حبة
لوسيناخوس نقدى
ثمرة متفتحة
بذرة، حبة
إسكينوزة، زهرة الجرب
ورقة قاعدية
زهرة شعاعية (زهرة ذات نسق خارجي)
زهرة قرصية (زهرة ذات

ورقة قاعدية
حرف الماء، حرف المروج
ورقة قاعدية
ثمرة
جريس مستدير الورق
ورقة قاعدية
زهرة [مقطع طولي]
ثمرة
نيلاب ارضي
زهرة [مقطع طولي]
زهرة
ثمرة
بذرة، حبة
لوسيناخوس نقدى
ثمرة متفتحة
بذرة، حبة
إسكينوزة، زهرة الجرب
ورقة قاعدية
زهرة شعاعية (زهرة ذات نسق خارجي)
زهرة قرصية (زهرة ذات

ورقة قاعدية
حرف الماء، حرف المروج
ورقة قاعدية
ثمرة
جريس مستدير الورق
ورقة قاعدية
زهرة [مقطع طولي]
ثمرة
نيلاب ارضي
زهرة [مقطع طولي]
زهرة
ثمرة
بذرة، حبة
لوسيناخوس نقدى
ثمرة متفتحة
بذرة، حبة
إسكينوزة، زهرة الجرب
ورقة قاعدية
زهرة شعاعية (زهرة ذات نسق خارجي)
زهرة قرصية (زهرة ذات

seeds	حَبَّان
34 two seeds	حَبَّان
35 duckweed (duck's meat)	عَدَسُ الْمَاءِ
36 plant in flower	نَبْتَةٌ فِي زَهْرَةٍ
37 flower	زَهْرَةٌ
38 fruit	ثَمْرَةٌ
39 flowering rush	أَسَلُ مَرْهَرٍ ، سَمَارُ مَرْهَرٍ
40 flower umbel	خِيَمَةُ الزَّهْرَةِ
41 leaves	أوراق
42 fruit	ثَمْرَةٌ
43 green alga	طَحْلِبُ الْخَضِرِ ، أَشْتَةُ خَضِرَاءَ
44 water plantain	مَرْشَارُ الرَّاعِي ، آذَانُ الْعَنْزِ
45 leaf	وَرَقَةٌ
46 panicle	عَنْكُول
47 flower	زَهْرَةٌ
48 honey wrack, a brown alga	طَحْلِبُ الْفَوْقُسِ ، طَحْلِبُ أَسْمَرٍ
49 thallus (plant body, frond)	مَشْرَةٌ ، ثالوس
50 holdfast	مُثَبِّت
51 arrow head	سَهْمِيَّةٌ
52 leaf shapes	أَشْكَالُ الْوَرَقَةِ
53 inflorescence with male flowers [above] and female flowers [below]	شَكْلُ إِزْهَارٍ مَعَ زَهْوَرٍ مَذَكْرَةٍ [أَعْلَى] وَزَهْوَرٍ مَوْثِقَةٍ [أَسْفَل]
54 sea grass	كَلَّالُ الْبَحْرِ
55 inflorescence	شَكْلُ إِزْهَارٍ
56 Canadian waterweed (Canadian pondweed)	عَشْبٌ مَائِيٌّ كَنْدِي
57 flower	زَهْرَةٌ

379 Poisonous Plants

1 aconite (monkshood, wolfsbane, helmet flower)	أَفْوَيْطِيْلُ ، بَيْش
2 foxglove (Digitalis)	قَمْصِيَّةٌ ، دِيْجِيْطَالِيْس
3 meadow saffron (naked lady, naked boys)	سَوْرَنْجَانُ الْخَرِيْفِ ، أَصَابِعُ هَرْمِسَ
4 hemlock (Conium)	شَوْكْرَانُ الْكَبِيْر
5 black nightshade (common nightshade, petty morel)	مَعْدُ أَسْوَدٍ ، ثِيَّان
6 henbane	بَنْجُ أَسْوَدٍ
7 deadly nightshade (belladonna, banewort, dwale), a solanaceous herb	بِلَادُونَا سَامَةٌ
8 thorn apple (stramonium, stramony, Am. jimson weed, jimpsom weed, Jamestown weed, stinkweed)	دَانُوْرَةٌ ، دَانُوْرَةٌ مَثْبِتَةٌ ، عَشْبَةٌ جِيْمْسُ
9 cuckoo pint (lords-and-ladies, wild arum, wake-robin)	لَوْفُ أَبْقَعٍ
10-13 poisonous fungi	طَحَالِبُ سَامَةٍ (عش غراب

(poisonous mushrooms, toadstools)	سَامٌ
10 fly agaric (fly amanita, fly fungus), an agaric	غَارِيْقُوْنُ الذَّبَابِ (أَمَانِيْتِ الذَّبَابِ)
11 amanita	أَمَانِيْت
12 Satan's mushroom	فَطْرُ الشَّيْطَانِ
13 woolly milk cap	قُبْعَةُ اللَّبَنِ الصُّفْوِيَّةِ

380 Medicinal Plants

1 camomile (chamomile, wild camomile)	نَبَاتَاتٌ طَبِيْبِيَّةٌ
2 arnica	البابونج ، بَهَارُ نَبِيْلِ
3 peppermint	زَهْرَةُ الْعَطَاسِ
4 wormwood (absinth)	نَعْنَعٌ بَشْتَانِيٌّ
5 valerian (allheal)	أَسْتِسْتِيْنُ ، شِيْحُ نَارْدِيْنِ ، سَنْبَلِ
6 fennel	شَمَارُ ، شَمْرَةٌ
7 lavender	خِرَازِمِي
8 coltsfoot	خَشِيْشَةُ السَّعَالِ
9 tansy	خَشِيْشَةُ الدَّوْدِ/الشَّفَاءِ
10 centaury	قَطْرِيْبُوْنٌ صَغِيْرٌ
11 ribwort (ribwort plantain, ribgrass)	إِسْطَانُ الْحَمَلِ السَّنَانِي
12 marshmallow	خَطْمِيٌّ مَخْرُوْمِي ، غَسُوْلُ جِلْمِهِ ، عَوْسَجُ أَسْوَدٍ
13 alder buckthorn (alder dogwood)	خِرْوَجٌ مَعْرُوْفٌ
14 castor-oil plant (Palma Christi)	خَشْنَشَاشٌ مُنَوِّمٌ
15 opium poppy	سَنَا ، سَنِّي ، الْوَرِيْقَاتُ الْمَحْجَفَةُ أَوْرَاقُ السَّنَا
16 senna (cassia); the dried leaflets: senna leaves	كَبِيْنَا
17 cinchona (cinchona)	كَاْفُوْر
18 camphor tree (camphor laurel)	فَوْقَلُ ، كَوْثَلُ
19 betel palm (areca, areca palm)	شَمْرَةُ الْفَوْقَلِ ، شَمْرَةُ الْكَوْثَلِ
20 betel nut (areca nut)	قَطْرِيَّاتٌ صَالِحَةٌ لِلْأَكْلِ

381 Edible Fungi (Esculent Fungi)

1 meadow mushroom (field mushroom)	فَطْرُ زَرَاعِي
2 mycelial threads (hyphae, mycelium) with fruiting bodies	غَزَالٌ فَطْرِيٌّ بِجِسْمَاتٍ مُثْمِرَةٍ
3 mushroom	فَطْرُ ، غَارِيْقُوْنٌ [مَقْلَعٌ طَوِيْلِي]
4 cap (pileus) with gills	قُبْعَةٌ فَطْرُ ذَاتِ خِيَاشِيْمٍ
5 veil (velum)	بَرِيقٌ
6 gill [section]	خَشِيْشُوْمٌ [مَقْلَعٌ]
7 basidia [on the gill with basidiospores]	دَعَاْمَاتٌ [عَلَى الْخِيْشُوْمِ وَهِيَ أُنُوَاعٌ دَعَاْمِيَّةٌ]
8 germinating basidiospores (spores)	أَبُوَاعٌ دَعَاْمِيَّةٌ نَابِتَةٌ
9 truffle	كَمْهٌ
10 truffle [external view]	كَمْهٌ [مَنْظَرٌ خَارِجِي]
11 truffle [section]	كَمْهٌ [مَقْلَعٌ]
12 interior showing asci [section]	زِقَاقٌ مِّنَ الدَّاخِلِ [مَقْلَعٌ]

13 two asci with the ascospores (spores)	زِقَاقَانُ أَبُوَاعٍ زَيْتِيَّةٍ
14 chanterelle (chantarelle)	الإِنَائِيَّةُ فَطْرُ يُوْكَلِ
15 Chestnut Boletus	فَطْرُ بُوْلِيْتُسِ
16 cep (cepe, squirrel's bread, Boletus edulis)	خَبِيْرُ السَّقَابِ (بُوْلِيْتُسِ مَأْكُوْل)
17 layer of tubes (hymenium)	طَبَقَةٌ مِّنَ الْأَنْبَابِيْبِ (عَشْيِي)
18 stem (stipe)	عَنْقٌ (سَوِيْق)
19 puffball (Bovista nigrescens)	فَقْعُ الذَّبِّ
20 devil's tobacco pouch (common puffball)	فَقْعٌ شَائِعٌ
21 Brown Ring Boletus (Boletus luteus)	فَطْرُ بُوْلِيْتُسِ ذُو الْهَلْقَةِ النَّبِيَّةِ
22 Birch Boletus (Boletus scaber)	بُوْلِيْتُسُ قَاسِ
23 Russula vesca	إِنَائِيَّةٌ مَعْرُوْفَةٌ
24 scaled prickle fungus	فَطْرُ ابْرِي خَرَشْفِي
25 slender funnel fungus	فَطْرُ قَسْعِي نَحِيْلٍ
26 morel (Morchella esculenta)	غَوْشَمَةٌ (فَطْرُ صَالِحٌ لِلْأَكْلِ)
27 morel (Morchella conica)	غَوْشَمَةٌ (فَطْرُ مَخْرُوْمِي الشَّكْلِ)
28 honey fungus	فَطْرُ الْجَذُوْرِ الْعَسَلِيِّ
29 saffron milk cap	لَيْثِيَّةٌ لَذِيْبَةٌ
30 parasol mushroom	فَطْرُ مِظَلِي
31 hedgehog fungus (yellow prickle fungus)	فَطْرُ قَنْفَذِي
32 yellow coral fungus (goatsbeard, goat's beard, coral Clavaria)	دَبُوْسِيَّةٌ مَرْجَانِيَّةٌ
33 little cluster fungus	فَطْرُ عِنْقُوْدِي

382 Tropical Plants used as Stimulants, Spices, and Flavoring

1 coffee tree (coffee plant)	شَجَرَةُ الْبِنِّ
2 fruiting branch	فَرْعٌ مُثْمِرٌ
3 flowering branch	فَرْعٌ مَرْهَرٍ
4 flower	زَهْرَةٌ
5 fruit with two beans [longitudinal section]	ثَمْرَةٌ مِّنْ مَلْفَقَتَيْنِ [مَقْلَعٌ طَوِيْلِي]
6 coffee bean; when processed: coffee	حَبَّةُ الْبِنِّ ، عِنْدَ تَصْنِيْعِهَا بِنٌّ ، قَهْوَةٌ
7 tea plant (tea tree)	شَجَرَةُ الشَّايِ
8 flowering branch	فَرْعٌ مَرْهَرٍ
9 tea leaf; when processed: tea	وَرَقَةٌ الشَّايِ ، عِنْدَ تَصْنِيْعِهَا شَايٌ
10 fruit	ثَمْرَةٌ
11 maté shrub (maté, yerba maté, Paraguay tea)	شَايُ بَرِغُوَايِ
12 flowering branch with androgynous (hermaphroditic, hermaphrodite) flowers	فَرْعٌ مَرْهَرٌ ذُو أَزْهَارٍ حُثِّيَّةٍ

13 male flower	زَهْرَةٌ ذَكَرٌ
14 androgynous (hermaphroditic, hermaphrodite) flower	زَهْرَةٌ حُثِّيَّةٌ
15 fruit	ثَمْرَةٌ
16 cacao tree (cacao)	شَجَرَةُ الْكَكَائُو
17 branch with flowers and fruits	فَرْعٌ ذُو أَزْهَارٍ وَثَمَارٍ
18 flower [longitudinal section]	زَهْرَةٌ [مَقْلَعٌ طَوِيْلِي]
19 cacao beans (cocoa beans); when processed: cocoa, cocoa powder	حَبَّةُ الْكَكَائُو ؛ عِنْدَ تَصْنِيْعِهَا كَاكَائُو
20 seed [longitudinal section]	بِذْرَةٌ [مَقْلَعٌ طَوِيْلِي]
21 embryo	جَنِيْنٌ
22 cinnamon tree (cinnamon)	شَجَرَةُ الْفَرِيقَةِ
23 flowering branch	فَرْعٌ مَرْهَرٍ
24 fruit	ثَمْرَةٌ
25 cinnamon bark; when crushed: cinnamon	لِحَاءُ الْفَرِيقَةِ ؛ عِنْدَ طَحْنِهِ قَرْفَةٌ
26 clove tree	شَجَرَةُ الْفَرَنْفَلِ
27 flowering branch	فَرْعٌ مَرْهَرٍ
28 flower bud; when dried: clove	بَرِيعٌ مَعِ الزَّهْرَةِ ؛ عِنْدَ تَجْفِيْفِهِ قَرْفَلٌ
29 flower	زَهْرَةٌ
30 nutmeg tree	جَوْزُ الطَّيْبِ ، بَشْبَاسَةٌ
31 flowering branch	فَرْعٌ مَرْهَرٍ
32 female flower	زَهْرَةٌ أُنْثَى [مَقْلَعٌ طَوِيْلِي]
[longitudinal section]	
33 mature (ripe) fruit	ثَمْرَةٌ نَاضِجَةٌ
34 nutmeg with mace, a seed with lacinate aril	جَوْزَةُ الطَّيْبِ ذَاتُ زَيْتٍ
35 seed [cross section]; when dried: nutmeg	حَبَّةٌ ، بِبِزْرَةٍ [مَقْلَعٌ عَرْضِي] عِنْدَ تَجْفِيْفِهَا جَوْزُ الطَّيْبِ
36 pepper plant	فَلْفَلٌ
37 fruiting branch	فَرْعٌ مُثْمِرٌ
38 inflorescence	شَكْلُ الْإِزْهَارِ
39 fruit [longitudinal section] with seed (peppercom); when ground: pepper	ثَمْرَةٌ [مَقْلَعٌ طَوِيْلِي] ذَاتُ بِيْرَةٍ ؛ عِنْدَ طَحْنِهَا فَلْفَلٌ
40 Virginia tobacco plant	تَبْعٌ فَرِجِيْنِيَّةٌ
41 flowering shoot	عَصْفُ مَرْهَرٍ
42 flower	زَهْرَةٌ
43 tobacco leaf; when cured: tobacco	وَرَقَةٌ تَبْعٍ ، عِنْدَ مَعَالِجَتِهَا تَبْعٌ
44 mature (ripe) fruit capsule	جَرُوْ ثَمْرَةٌ نَاضِجَةٌ
45 seed	حَبَّةٌ
46 vanilla plant	فَانِيْلَا ، وَبَلِيْكِيَّةٌ
47 flowering shoot	عَصْفُ مَرْهَرٍ
48 vanilla pod; when cured: stick of vanilla	قَرْنُ الْفَانِيْلَا ؛ عِنْدَ مَعَالِجَتِهِ عَصَا فَانِيْلَا
49 pistachio tree	شَجَرَةُ فَسْتَقٍ
50 flowering branch with female flowers	فَرْعٌ مَرْهَرٌ ذُو أَزْهَارٍ أُنْثَى

[لوزة]
خروب
فَرْع به أزهار أنثى
زَهْرَة أنثى
زَهْرَة ذكر
ثَمْرَة
خُرْدَيْيَة [مَقْطَع عَرْضِي]

{almond}
41 carob
42 branch with female flowers
43 female flower
44 male flower
45 fruit
46 siliqua (pod) [cross section]
47 seed
48 sweet chestnut (Spanish chestnut)
49 flowering branch
50 female inflorescence
51 male flower
52 cupule containing seeds
53 Brazil nut
54 flowering branch
55 leaf
56 flower [from above]
57 flower [longitudinal section]
58 opened capsule containing seeds
59 Brazil nut [cross section]
60 nut [longitudinal section]
61 pineapple plant (pineapple)
62 pseudocarp with crown of leaves
63 syncarp
64 pineapple flower
65 flower [longitudinal section]

نووية تحتوي على بزور

[longitudinal section]
14 female flower
15 male flower
16 pomegranate
17 flowering branch
18 flower [longitudinal section, corolla removed]
19 fruit
20 seed [longitudinal section]
21 seed [cross section]
22 embryo
23 lemon; *sim.*: tangerine (mandarin), orange, grapefruit
24 flowering branch
25 orange flower [longitudinal section]
26 fruit
27 orange [cross section]
28 banana plant (banana tree)
29 crown
30 herbaceous stalk with overlapping leaf sheaths
31 inflorescence with young fruits
32 infructescence (bunch of fruit)
33 banana
34 banana flower
35 banana leaf [diagram]
36 almond
37 flowering branch
38 fruiting branch
39 fruit
40 drupe containing seed

نووية تحتوي على بزور

فَسَيْلَة مَزْهَرَة
جذير وبه ثمار
جَوْزَة (نواة)
شَجَرَة السمسم
أزهار فَرْع مُثْمِر
زَهْرَة [مَقْطَع طَوَّلِي]
شَجَرَة جَوْزَة الهند
نظام الأزهار
زَهْرَة أنثى
زَهْرَة ذكر [مَقْطَع طَوَّلِي]
ثَمْرَة [مَقْطَع طَوَّلِي]
جَوْزَة الهند
نَحْل الدُهْن
طَلح ذكر
عُثْقُود ثَمْر به ثمرة
بزره ذات بُوَيْبَات
نَحْل الدقيق
ثَمْرَة
جذع خَيْرَان
فَرْع ذو أوراق
سَبِيلَة، سَيْلَة
جذء من جذع خَيْرَان له
وصلات
بردي
خَيْمَة
سَبِيلَة، سَيْلَة

ثمار جنوبية (مدارية وشبيهة مدارية وبحر أوسطية)

42 flowering shoot
43 root with fruits
44 nut (kernel) [longitudinal section]
45 sesame plant (simsim, benniseed)
46 flowers and fruiting branch
47 flower [longitudinal section]
48 coconut palm (coconut tree, coco palm, cocoa palm)
49 inflorescence
50 female flower
51 male flower [longitudinal section]
52 fruit [longitudinal section]
53 coconut (cokernut)
54 oil palm
55 male spadix
56 infructescence with fruit
57 seed with micropyles (foramina) (foraminate seed)
58 sago palm
59 fruit
60 bamboo stem (bamboo culm)
61 branch with leaves
62 spike
63 part of bamboo stem with joints
64 papyrus plant (paper reed, paper rush)
65 umbel
66 spike

384 Southern Fruits (Tropical, Sub-tropical, and Mediterranean Fruits)

1 date palm (date)
2 fruiting palm
3 palm frond
4 male spadix
5 male flower
6 female spadix
7 female flower
8 stand of fruit
9 date
10 date kernel
11 fig
12 branch with pseudo-carps
13 fig with flowers

نَظْطَة
نَظْطَة مَثْمُرَة
سَعْفَة النخل
طَلح ذكري
زَهْرَة ذكر
طَلح أنثى
زَهْرَة أنثى
حامل الثمر
رُطْبِيَة، ثَمْرَة
نواة الثمرة
تَيْبَة
فَرْع به أخبية كاذبة
تَيْبَة ذات أزهار [مَقْطَع

51 drupe (pistachio, pistachio nut)
52 sugar cane
53 plant in bloom
54 panicle
55 flower

383 Plants used in Industry

1 rape (cole, colesseed)
2 basal leaf
3 flower [longitudinal section]
4 mature (ripe) siliqua (pod)
5 oleiferous seed
6 flax
7 peduncle (pedicel, flower stalk)
8 seed vessel (boll)
9 hemp
10 fruiting female (pistillate) plant
11 female inflorescence
12 flower
13 male inflorescence
14 fruit
15 seed
16 cotton
17 flower
18 fruit
19 lint [cotton wool]
20 silk-cotton tree (kapok tree, capoc tree, ceiba tree)
21 fruit
22 flowering branch
23 seed
24 seed [longitudinal section]
25 jute
26 flowering branch
27 flower
28 fruit
29 olive tree (olive)
30 flowering branch
31 flower
32 fruit
33 rubber tree (rubber plant)
34 fruiting branch
35 fig
36 flower
37 gutta-percha tree
38 flowering branch
39 flower
40 fruit
41 peanut (ground nut, monkey nut)

نباتات تستخدم في الصناعة

لَفْت
وَرَقَة أساسية
زَهْرَة [مَقْطَع طَوَّلِي]
سَفَة ناضجة
بزره زيتية
كتان
مِعْلَاق، رَنْد
لوزة
قَنْب هندي
تَيْبَة أنثى مَثْمُرَة
أزهار أنثى
زَهْرَة
أزهار ذكري
ثَمْرَة
حَبَة
قطن
زَهْرَة
ثَمْرَة
خيوط القطن
شَجَرَة القايوق أو القطن الحريري
ثَمْرَة
فَرْع مَزْهَر
بزره، حَبَة
حَبَة [مَقْطَع طَوَّلِي]
جَوْتَة، جوت، قَنْب كَلْكَة
فَرْع مَزْهَر
زَهْرَة
ثَمْرَة
شَجَرَة الزَيْتُون
فَرْع مَزْهَر
زَهْرَة
ثَمْرَة
شَجَرَة المَطَّاط (تين المَطَّاط)
فَرْع مَزْهَر
تَيْبَة
زَهْرَة
شَجَرَة الغانابريشا
فَرْع مَزْهَر
زَهْرَة
ثَمْرَة
قَوْل سَوْدَانِي، فَسْتَق العبيد

- مَرَسَم، ستوديو الرسام 338
 مَنَحَتْ، ستوديو النحات 339
 فَنُ الجرافيك 340
 أشكال الكِتَابَةِ (1) 341
 أشكال الكِتَابَةِ (2) 342
 الألوان 343
 الرياضيات (1) 344
 الرياضيات (2) 345
 الرياضيات (3) (الهندسة) 346
 الرياضيات (4) (الهندسة) 347
 الرياضيات (5) (المجموعات) 348
 مَعْمَل الكيمياء (1) 349
 مَعْمَل الكيمياء (2) 350
 البُورَات وعلم التُّور 351
 علم الأعراف البشرية (1) 352
 علم الأعراف البشرية (2) 353
 علم الأعراف البشرية (3) 354
 اللباس عِبْر العصور 355
- حيوانات ونباتات**
 حديقة الحيوان 356
 الفقاريات 357
 المفصليات 358
 الطيور (1) 359
 الطيور (2) (الطيور الأروبية) 360
 الطيور (3) (الجواثم) 361
 الطيور (4) (الجوارح) 362
 الطيور (5) (الطيور النادرة) 363
 الأسماك، الزمانيات، والزواحف 364
 قشريات الأجنحة (الفراشات والبشرات) 365
 الثدييات (1) 366
 الثدييات (2) 367
 الثدييات (3) 368
 أحياء أعماق البحار 369
 علم النبات 370
 أشجار نفضية 371
 الصنوبريات 372
 جنّات وأشجار الزيتة (1) 373
 جنّات وأشجار الزيتة (2) 374
 أزهار المرامي والأزهار البرية (1) 375
 أزهار المرامي والأزهار البرية (2) 376
 نباتات الأجرأ والمستنقعات والبراحات 377
 النباتات الألبية ونباتات الماء ونباتات المستنقعات 378
 نباتات سامّة 379
 نباتات طبية 380
 فطريات صالحة للأكل 381
 نباتات مدارية تستخدم كمنبهات وتوابل ومكسبات نكهة 382
 نباتات تستخدم في الصناعة 383
 ثمار جنوبية (مدارية وشبه مدارية وبحر أوسطية) 384
- الفروسية، رياضة الفروسية 289
 سباق الدراجات والسيارات 290
 ألعاب الكرة (1) (كرة القدم) 291
 ألعاب الكرة (2) 292
 ألعاب الكرة (3) 293
 الشيش، المسابقة 294
 التّرينات الحرة 295
 جَمباز الأجهزة (1) 296
 جَمباز الأجهزة (2) (جَمباز السيدات) 297
 ألعاب القوى (مسابقات المضمار والحقل) 298
 رياضات رفع الأثقال والقتال 299
 سَلق الجبال 300
 الرياضات الشتوية (1) (التزلج على الجليد) 301
 الرياضات الشتوية (2) 302
 الرياضات الشتوية (3) 303
 الريف في الشتاء 304
 رياضات متنوعة 305
- تسليّة وثقافة وفن**
 الكرنفال 306
 السيرك 307
 السوق الموسمية، أرض السوق 308
 سوق السلع الرخيصة أو المستعملة 309
 الأفلام السينمائية (1) 310
 الأفلام السينمائية (2) 311
 الأفلام السينمائية (3) 312
 الأفلام السينمائية (4) 313
 الباليه 314
 المسرح (1) 315
 المسرح (2) 316
 صالة الديسكو 317
 الملهى الليلي 318
 مضارعة الثيران 319
 التوتات الموسيقية (1) 320
 التوتات الموسيقية (2) 321
 الآلات الموسيقية (1) 322
 الآلات الموسيقية (2) 323
 الآلات الموسيقية (3) 324
 الآلات الموسيقية (4) 325
 الآلات الموسيقية (5) 326
 المخطوطات الخرافية (المخطوطات الأسطورية) 327
 ما قبل التاريخ 328
 الفروسية 329
 الكنيسة (1) 330
 الكنيسة (2) 331
 الكنيسة (3) 332
 الفن (1) 333
 الفن (2) 334
 الفن (3) 335
 الفن (4) 336
 الفن (5) 337

معدّات الفيديو	243
الحاسب الآلي الشخصي	244
المكتب والمصرف ويورصة الأوراق المالية	
المكتب (1)	245
المكتب (2)	246
المكتب (3)	247
المكتب (4)	248
المكتب (5) (معدّات مكتبية)	249
البنك/المصرف	250
بورصة الأوراق المالية	251

مجتمع

النقود (العملات المعدنية والأوراق المالية)	252
الأعلام	253
شعارات القبائل والنجان والتويجات	254
القوات المسلحة (1) (الجيش)	255
القوات المسلحة (2) (القوات الجوية)	256
القوات المسلحة (3) (القوات الجوية)	257
السفن الحربية (1)	258
السفن الحربية (2) (السفن الحربية الحديثة)	259
المدارس (1) (المدارس الابتدائية)	260
المدارس (2) (المدارس الثانوية)	261
الجامعة	262
الانتخابات	263
الشُرطة	264
المقهى	265
المطعم	266
الفندق	267
المدينة (وسط المدينة)	268
إمداد المياه	269
الإطفاء (المطافئ)	270
المتجر التتويجي	271
المنزّه	272

ترفيه وألعاب ورياضة

ملعب الأطفال	273
منتجعات المياه المعدنية	274
الروليات	275
ألعاب الرقعات والألعاب الجماعية	276
البيلياردو	277
إقامة الخيميات والكرفانات	278
ركوب الأمواج، الغوص	279
شاطيء الاستحمام	280
حمام السباحة (مركز ترفيهي)	281
السباحة	282
التجديف وسباقات التجديف	283
الإبحار الشراعي (1)	284
الإبحار الشراعي (2)	285
القوارب البخارية، رياضة الانزلاق على سطح الماء	286
الطيران الشراعي	287
الرياضات الجوية	288

محرّكات الاحتراق الداخلي	190
السّيارة (1)	191
السّيارة (2)	192
السّيارة (3)	193
الشاحنات وعربات التّقلّ الخفيفة والحافلات	194
الكراچ (الجراچ)	195
محطة خدمة السّيارات	196
الترام، قطار كهربائي للخدمة بين الضواحي	197
مقطع عرضي للشارع	198
التّكليس من التّفايات، تنظيف الشوارع	199
بناء الطرق (1)	200
بناء الطرق (2)	201
خطّ السكّة الحديدية (1)	202
خطّ السكّة الحديدية (2) (معدات الاشارة)	203
صالة المحطّة	204
رصيف المحطّة	205
محطة الضمان (مستودع الشحن)	206
عربات السكك الحديدية (1)	207
عربات السكك الحديدية (2)	208
عربات السكك الحديدية (3)	209
عربات السكك الحديدية (4)	210
عربات السكك الحديدية (5)	211
عربات السكك الحديدية (6)	212
عربات السكك الحديدية (7)	213
السكك الحديدية الجبلية والسكك الحديدية الكيبلية	214
الصور	215
الأنهار والهندسة النهريّة	216
القناة الملاحيّة والهندسة الهيدروليّة	217
أنواع القوارب عبر العصور	218
السفن الشراعية (1)	219
السفن الشراعية (2)	220
أنواع السفن	221
بناء السفن	222
السفن البخارية	223
الملاحة	224
أجزاء السفن والميناء والمرقا (1)	225
أجزاء السفن والميناء والمرقا (2)	226
إقنّاد وقطر السفن	227
إقنّاد الحياة	228
الطائرة (1)	229
الطائرة (2)	230
الطائرة (3)	231
الطائرة (4)	232
المطار	233
الطيران في الفضاء (1)	234
الطيران في الفضاء (2)	235
مكتب البريد (1)	236
مكتب البريد (2) (الاتصالات السلكية واللاسلكية)	237
الإذاعة (الراديو والتلفزيون)	238
الإذاعة (الراديو والتلفزيون)	239
الإذاعة (الراديو والتلفزيون)	240
أنظمة الموسيقى (الأنظمة الصوتية)	241
أنظمة الموسيقى (الأنظمة الصوتية)	242
عوامل اللحام القوسية	142
القطع والمسامير وأجزاء الماكينة	143
منتج الفحم	144
الرّيت المعدني (اللفظ، البيترول)	145
الحفر البحري	146
مصنّع الحديد والصلب	147
مسبك الحديد و ماكينة الدلفنة	148
آلات الورش (1)	149
آلات الورش (2)	150
مكتب الرسم الهندسي	151
محطّة توليد الطاقة (1)	152
محطّة توليد الطاقة (2)	153
الطاقة النووية	154
مصادر الطاقة الحديثة	155
وحدة التوكويك	156
المبشرة	157
المخبر	158
مصنّع الطوب	159
مصنّع الأسمنت	160
صناعة البورسلين والصيني	161
إنتاج الزجاج	162
غزل القطن (1)	163
غزل القطن (2)	164
النسيج (1)	165
النسيج (2)	166
أفعال الإبرة أو التريكو	167
تجهيز ألياف النسيج	168
الألياف الصناعية (1)	169
الألياف الصناعية (2)	170
النسيج وغرز التريكو	171
صناعة الورق (1)	172
صناعة الورق (2)	173
صناعة الطباعة	
قسم الجَمع الطباعي (1)	174
قسم الجَمع الطباعي (2)	175
قسم الجَمع الطباعي (الجَمع التصويري)	176
الاستيشاخ التصويري	177
إعداد الأسطح الطباعة الجلفنة والكليشيات	178
تخصير سطح طباعة الأوفست	179
طباعة الأوفست	180
طريقة طباعة الحروف (الطباعة البارزة)	181
الطباعة بالحفر الصوتي	182
تجليد الكتب (1)	183
تجليد الكتب (2)	184
تجليد الكتب (3)	185
النقل والاتصالات وتكنولوجيا المعلومات	
عربات تجرّها الجياد	186
الدراجة الهوائية	187
الدراجات النارية، الدراجات الهوائية، الدراجات	189
النارية الخفيفة	188
الدراجة النارية	189

مهن وحرف وصناعة

الطواحين	91
تخصير الملت وتصنيع الجعة (1)	91
تصنيع الجعة (2)	93
المزجور/المسلخ	94
أوصال اللحم	95
محلّ الجزار/القصاب (الملحمة)	96
المخبز	97
دكان القفال	98
سوبر ماركت (متجر الخدمة الذاتية)	99
الإسكافي	100
الأخذية	101
أشغال الإبرة	102
الخياطة	103
الترزي	104
مصنّف شعر السيدات	105
صالون حلاقة للرجال (الحلاق)	106
التبغ ولوازم التدخين	107
الصانع (صانع الذهب والفضة)	108
الساعاتي	109
الساعات	110
أخصائي البصريّات، النظاراتي	111
الآلات البصرية (1)	112
الآلات البصرية (2)	113
التصوير (1)	114
التصوير (2)	115
التصوير (3)	116
التصوير السينمائي	117
موقع البناء/الإنشاءات (1)	118
موقع البناء/الإنشاءات (2)	119
النحّار	120
الأسقف والوصلات الخشبية	121
السقف وأجزاء السقف	122
الأرضية والسقف وإنشاءات السلال	123
الزجاج	124
السباك	125
السباك، عامل تركيب أجهزة الغاز، مهندس السحانات	126
الكهربائي	127
عامل تركيب ورق الحائط	128
الصباغ، النقاش	129
مهندس تصنيع البراميل الخشبية والخزانات	130
الغراء	131
نجار الأثاثات (1)	132
نجار الأثاثات (2)	133
معدّات الإصلاحات المنزلية	134
الخراط	135
السلال (صانع السلال)	136
الحذاء (1)	137
الحذاء (2) (هندسة المربكات الزراعية)	138
تشكيل المعادن بالطرق	139
عامل تشغيل المعادن	140
عامل اللحام بالغاز	141

المحتويات

الأرقام العربية هي أرقام الصور

الذرة - الكون - الأرض

- الذرة (1) 1
الذرة (2) 2
الفلك (1) 3
الفلك (2) 4
الفلك (3) 5

الهبوط على سطح القمر 6

الغلاف الجوي 7

الأرصاد الجوية (1) 8

الأرصاد الجوية (2) وعلم المناخ 9

أجهزة الأرصاد الجوية 10

الجغرافية الطبيعية (1) 11

الجغرافية الطبيعية (2) 12

الجغرافية الطبيعية (3) 13

الخريطة (1) 14

الخريطة (2) 15

الإنسان وبيئته الاجتماعية

الإنسان (1) 16

الإنسان (2) 17

الإنسان (3) 18

الإنسان (4) 19

الإنسان (5) 20

الإسعافات الأولية 21

الطبيب (1) 22

الطبيب (2) 23

طبيب الأسنان 24

المستشفى (1) 25

المستشفى (2) 26

المستشفى (3) 27

العناية بالطفل ولوازم الأطفال 28

ملابس الأطفال 29

ملابس السيدات (1) (الملابس الشتوية) 30

ملابس السيدات (2) (الملابس الصيفيّة) 31

الملابس الداخليّة، ملابس النوم 32

ملابس الرجال 33

قصّات الشعر وأشكال اللحية 34

أغطية الرأس 35

المجوهرات 36

أنواع المساكن 37

السطح وحجرة الغلاية 38

المطبخ 39

أدوات وأجهزة المطبخ 40

الصّالة 41

غرفة المعيشة 42

غرفة النوم 43

غرفة الطعام 44

مقارن ولوازم المائدة 45

الشّقة 46

غرفة الأطفال (الروضة) 47

روضة الأطفال (الحضانة النهارية) 48

الحمام ودورة المياه 49

الأجهزة والأدوات المنزلية 50

الطبيعة: البيئة والزراعة والحراجه

حديقة الأزهار 51

شُتات الفواكه والخضروات 52

نباتات داخلية (نباتات المساكن) 53

تكاثر النباتات 54

مزرعة الخضروات 55

أدوات الحديقة 56

الخضروات (نباتات الخضّر) 57

الفاكهة الطرية والتفاحيات 58

الجوز واللّوآويات 59

أزهار الحدائق 60

نباتات شيطانية، أعشاب ضارة 61

مباني المزرعة 62

الزراعة 63

الآلات الزراعية (1) 64

الآلات الزراعية (2) 65

الأدوات الزراعية 66

الري بالرش 67

المحاصيل الزراعية 68

محاصيل الحلف (نباتات الكلاب) 69

فصائل الكلاب 70

الحصان/الفرس (1) 71

الحصان/الفرس (2) 72

الحيوانات الأليفة 73

مزرعة/تربية الدواجن، إنتاج البيض 74

تربية الماشية 75

معمل الألبان 76

النحل و تربية النحل (النخاله) 77

زراعة الكروم 78

قبو الخضّر 79

آفات الحدائق والحقول 80

الحشرات المنزلية وآفات الطعام والطفيليات 81

الآفات الحراجية 82

مكافحة الآفات 83

الحراجه (1) 84

الحراجه (2) 85

القنص 86

أسلحة القنص، معدات القنص 87

القنص/الطرائد 88

تربية الأسماك والصيد بالصنارة 89

الصيد في البحار 90

المحتويات

970	المحتويات
673	مسرد إنجليزي - عربي
10	قاموس أوكسفورد - دودن الإنجليزي المصور

دليل استعمال القاموس

القاموس الإنجليزي المصور والمسرد الإنجليزي - العربي والمحتويات الكاملة مرتبة تحت رؤوس الموضوعات التالية:

- الذرة - الكون - الأرض
- الإنسان وبيئته الاجتماعية
- الطبيعة: البيئة والزراعة والحراجة
- مهن وحرف وصناعة
- صناعة الطباعة
- النقل والاتصالات وتكنولوجيا المعلومات
- المكتب والمصرف وبورصة الأوراق المالية
- مجتمع
- ترفيه وألعاب ورياضة
- تسلية وثقافة وفن
- حيوانات ونباتات

للعثور على الترجمة الإنجليزية لإحدى المفردات، عليك أولاً أن تتصفح مجالات الموضوعات المدرجة في "المحتويات" (صفحة 967-970). اختر الموضوع ذا العلاقة، ثم حدد الرقم المتوافق معه في "القاموس الإنجليزي المصور" (الأرقام مثبتة في الركن العلوي من كل صفحة). وإذا ما عثرت على المادة المصورة المطلوبة، ابحث عن الرقم المتوافق معها في "المسرد الإنجليزي - العربي" تحت رأس الموضوع نفسه.

قاموس أوكسفورد - دودن
الإنجليزي المصور
مع مسرد إنجليزي - عربي

المسرد الإنجليزي - العربي من إعداد
مصطفى محمد جبر

قاموس أوكسفورد - دودن الإنجليزي المصور
مع مسرد إنجليزي - عربي